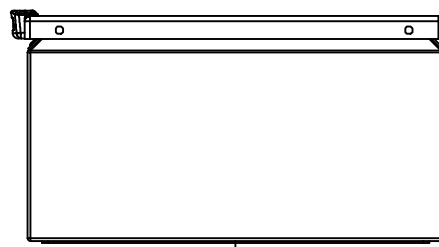
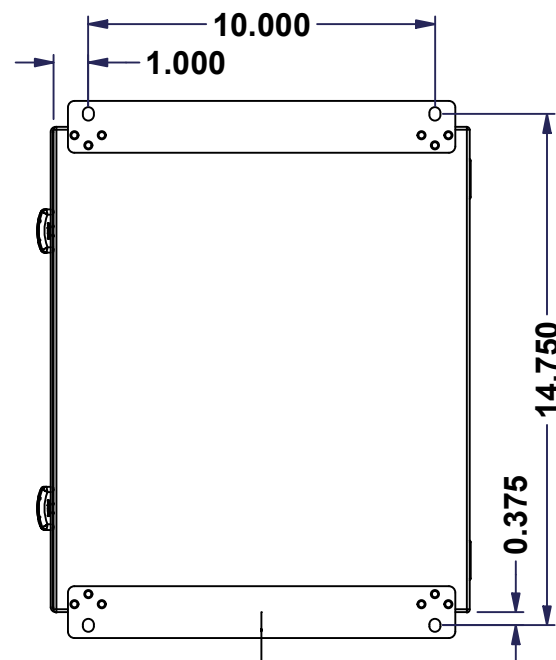


This drawing is confidential and must not be reproduced or used without the consent of EXM

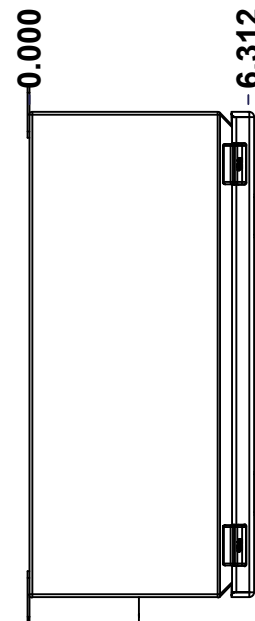
Ce dessin est confidentiel et ne doit pas être reproduit ou utilisé sans le consentement de EXM



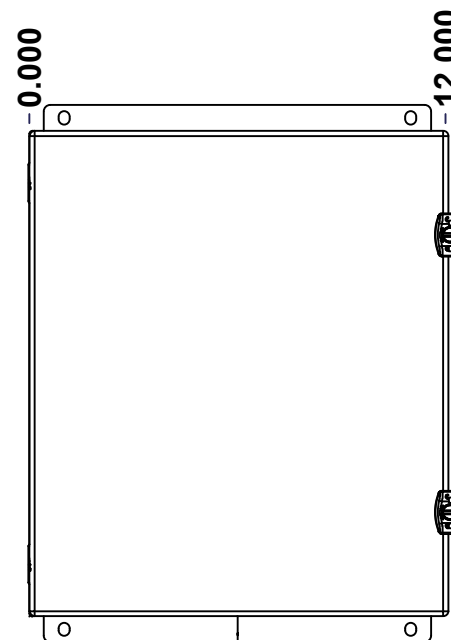
TOP



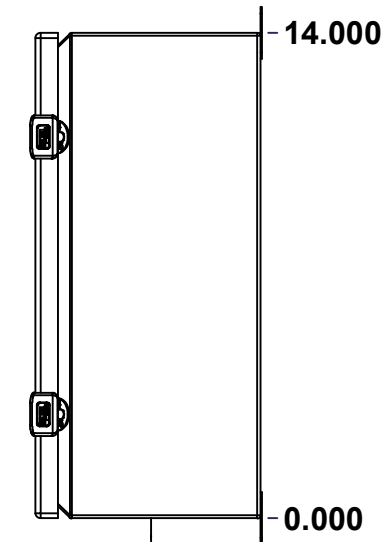
BACK



LEFT



FRONT

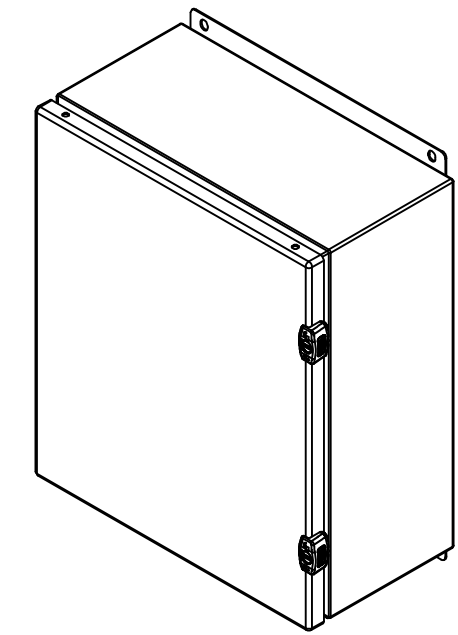


RIGHT



BOTTOM

| No. | Revisions | Date | By/Par |
|-----|-----------|------|--------|
| | | | |
| | | | |
| | | | |
| | | | |



Isometric View



Tél: (450) 979-4373
 Fax: (450) 979-4626
www.exmweb.com

Flatness
Aplatissement
Max 3.0mm
Projection

Customer Client
 Drawn By Dessiné Par BoxCad: BoxCad
 Date 08-Mar-23

Material Matière 16 Ga Cold Rolled A1008 CS Type B (1.4mm)

Color Couleur Asa-61 Grey
 Finish Fini Smooth

Description 5412ESCH 14" x 12" x 6" Assembly
 Detail Rev.

Part Number Numéro Pièce 5412ESCH141206NOIP
 Rev. 0
 1
 9

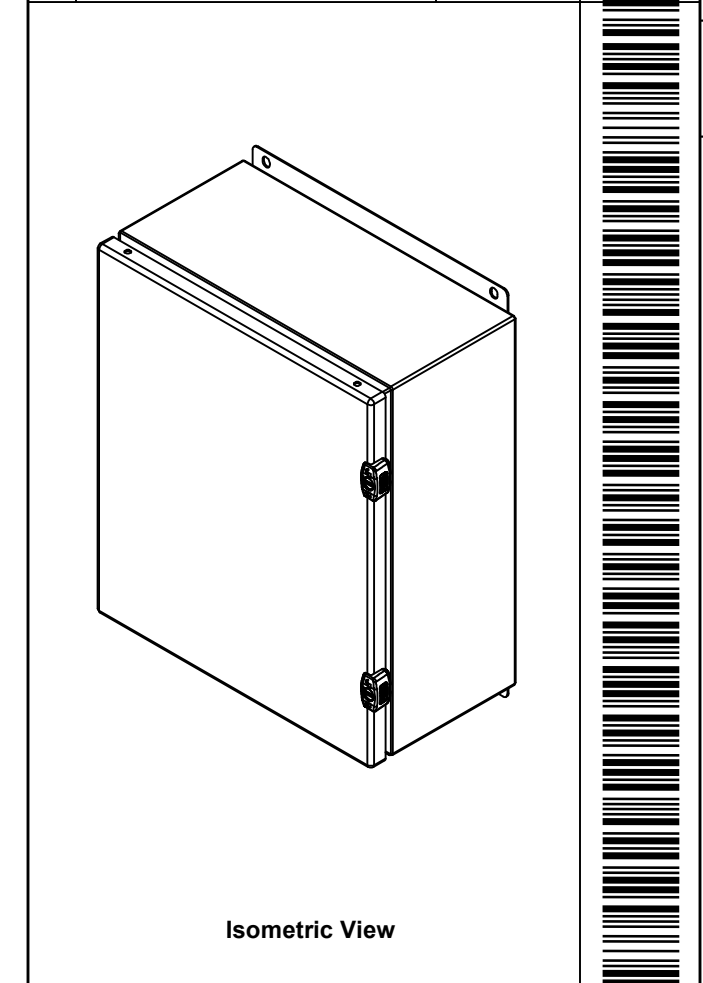
SEE BILL OF MATERIAL ON LAST PAGE


This drawing is confidential and must not be reproduced or used without the consent of EXM

Ce dessin est confidentiel et ne doit pas être reproduit ou utilisé sans le consentement de EXM

| NOTE | |
|------|--|
| ITEM | DESCRIPTION |
| 1 | NEMA 4/12 Enclosure |
| 2 | C/W Standard ground standoffs on box and cover |
| 3 | W/O Standard door stiffener |
| 4 | W/O Inner panel |
| 5 | C/W Standard inner panel mounting standoffs |

| No. | Revisions | Date | By/Par |
|-----|-----------|------|--------|
| | | | |
| | | | |
| | | | |
| | | | |
| | | | |
| | | | |

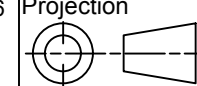




Tél: (450) 979-4373
Fax: (450) 979-4626
www.exmweb.com

Flatness
Aplatissement
Max 3.0mm

Projection



| | |
|---|-----------------------|
| Customer Client | Date |
| Drawn By / Dessiné Par: BoxCad: BoxCad | Date: 08-Mar-23 |
| Material / Matière: 16 Ga Cold Rolled A1008 CS Type B (1.4mm) | |
| Color / Couleur: Asa-61 Grey | Finish / Fini: Smooth |

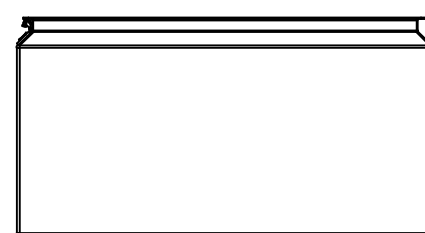
| PACKING | | |
|-----------------|-----|--|
| ITEM | QTY | DESCRIPTION |
| STK-E-04322 | 1 | CARTON 5412 ESCH141206 |
| Plastic bag | 1 | To protect cover surface and inside gasket |
| Packaging label | 1 | White label with product number |
| STK-S-01100 | 1 | ESCH EXM SQUARE STICKER |

| | | | |
|------------|---------------------|-----|------------------------------|
| 1 | STK-K-02910 | 3 | 5412 ESCH Accessory Kit |
| 1 | 5412ESCH141206NOIPC | 0 | 5412ESCH 14" x 12" Cover |
| 1 | 5412ESCH141206NOIPB | 0 | 5412ESCH 14" x 12" x 6" Body |
| 2 | STK-Q-08100 | 1 | M5 Nylon Insert Lock Nut |
| 2 | STK-Q-10249 | 0 | M5 Sealing Washer |
| Qty | Part Number | Rev | Description |
| Parts List | | | |

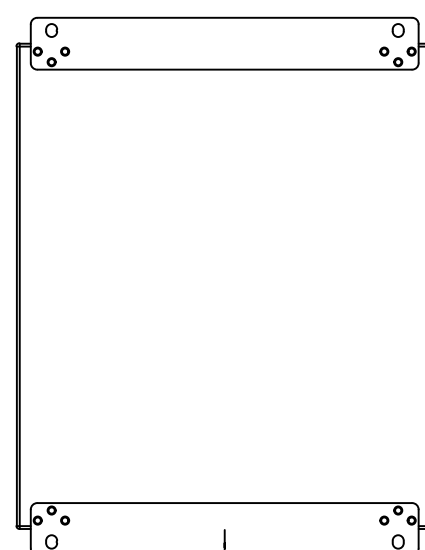
| | | | |
|---|--|-------------|---|
| Description: 5412ESCH 14" x 12" x 6" Assembly | | Detail Rev. | |
| Part Number / Numéro Pièce: 5412ESCH141206NOIP | | Rev.: | 2 |
| | | 0 | 9 |

This drawing is confidential and must not be reproduced or used without the consent of EXM

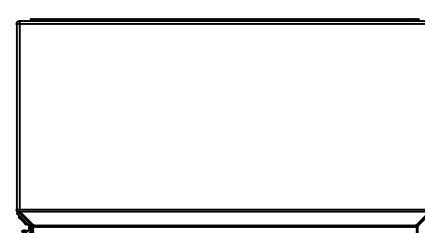
Ce dessin est confidentiel et ne doit pas être reproduit ou utilisé sans le consentement de EXM



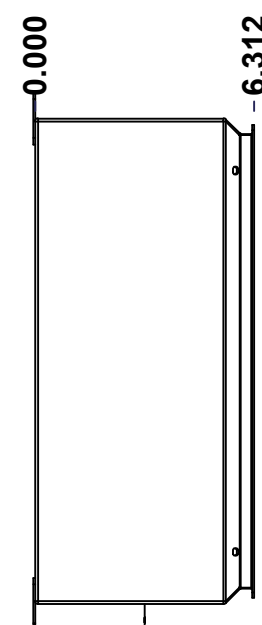
TOP



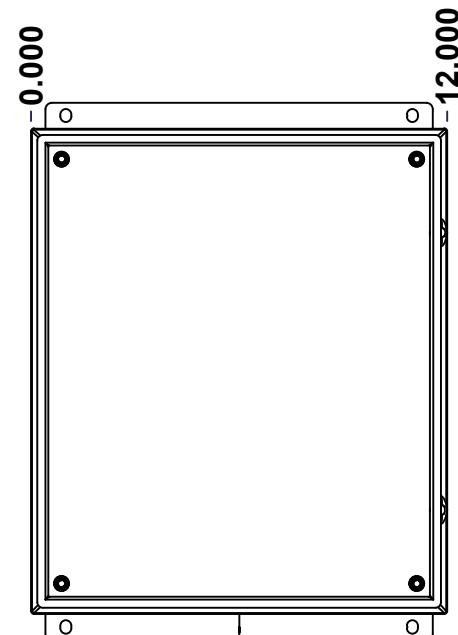
BACK



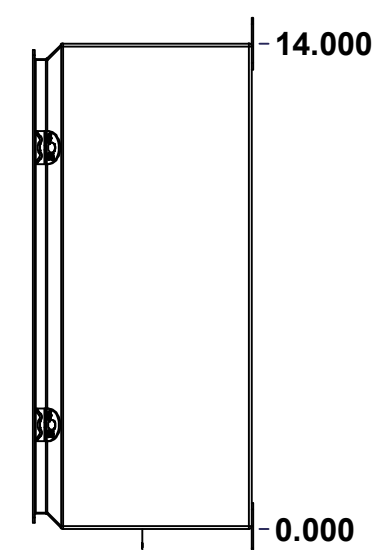
BOTTOM



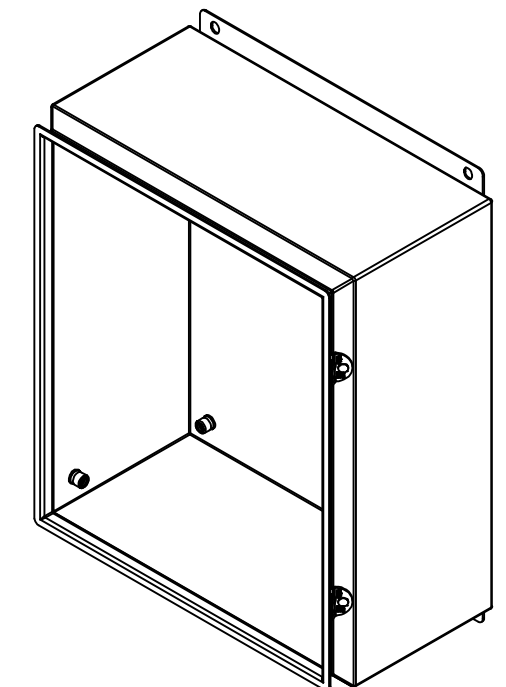
LEFT



FRONT




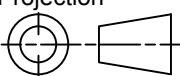
RIGHT



Isometric View



| No. | Revisions | Date | By/Par |
|-----|-----------|------|--------|
| | | | |
| | | | |
| | | | |
| | | | |

| | | |
|--|---|---|
|  Tél: (450) 979-4373 Fax: (450) 979-4626 www.exmweb.com | | Flatness Aplatissement Max 3.0mm Projection  |
| Customer Client | Date | |
| Drawn By Dessiné Par | BoxCad: BoxCad | Date 08-Mar-23 |
| Material Matière | 16 Ga Cold Rolled A1008 CS Type B (1.4mm) | |
| Color Couleur | Asa-61 Grey | Finish Fini Smooth |
| Description | Detail Rev. | |
| 5412ESCH 14" x 12" x 6" Body | | |
| Part Number Numéro Pièce | Rev. 0 | 3 9 |

SEE BILL OF MATERIAL ON LAST PAGE

5412ESCH141206NOIPB

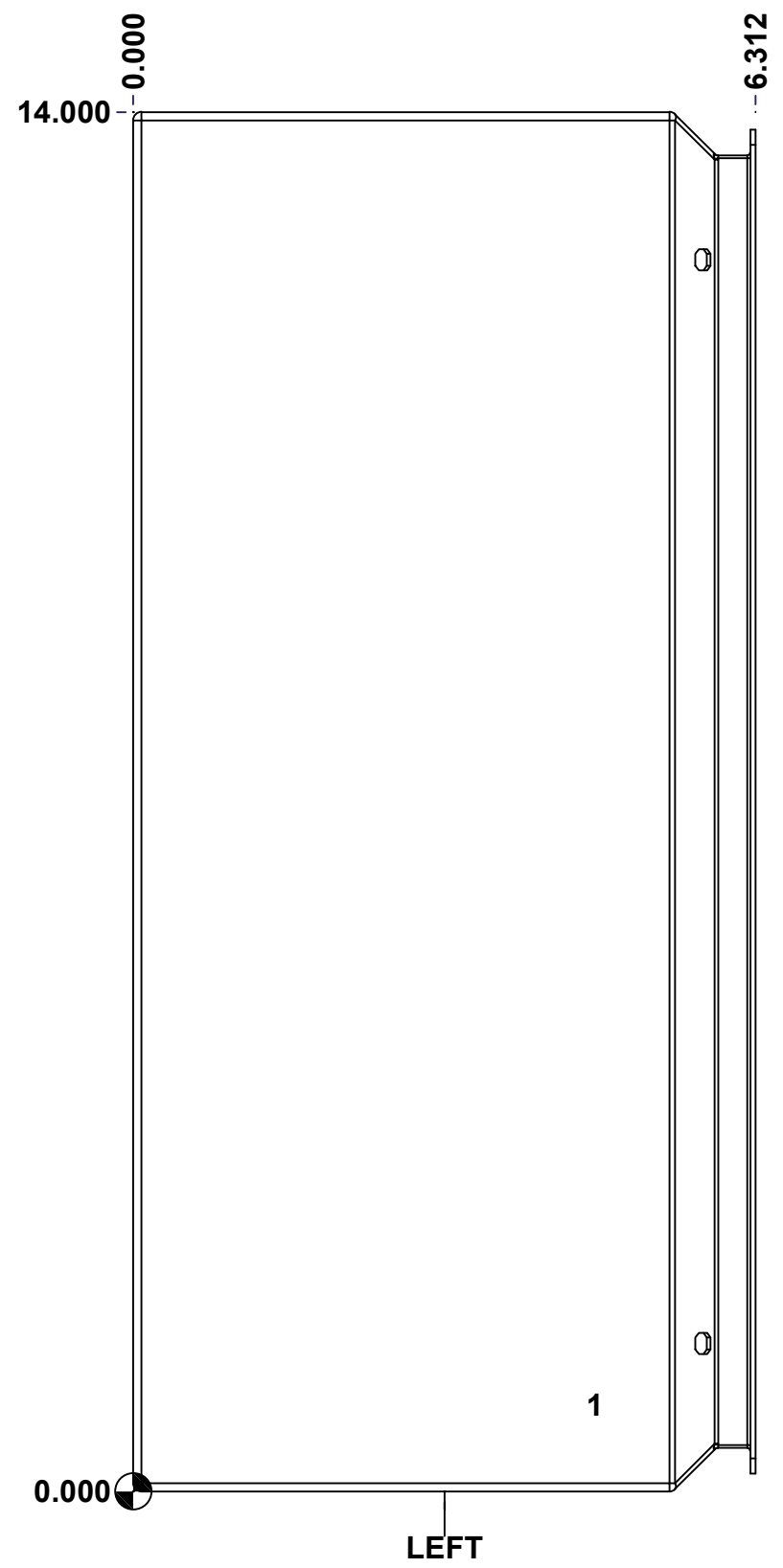
This drawing is confidential and must not be reproduced or used without the consent of EXM

Ce dessin est confidentiel et ne doit pas être reproduit ou utilisé sans le consentement de EXM

STANDARD FEATURES ARE NOT LISTED IN THIS HOLE TABLE

HOLE TABLE - LEFT VIEW (CUSTOM FEATURE ONLY)

| CUT-OUT | XDIM | YDIM | DESCRIPTION |
|---------|-------|-------|-----------------------------|
| 1 | 4.625 | 0.875 | STANDOFF M6 x 10mm (Inside) |



| | | | |
|--|------------------------------|----------|-----|
| | Description | Status | |
| | 5412ESCH 14" x 12" x 6" Body | (NULL) | |
| | Part Number Numéro Pièce | Rev. | |
| | 5412ESCH141206NOIPB | 0 | 4/9 |

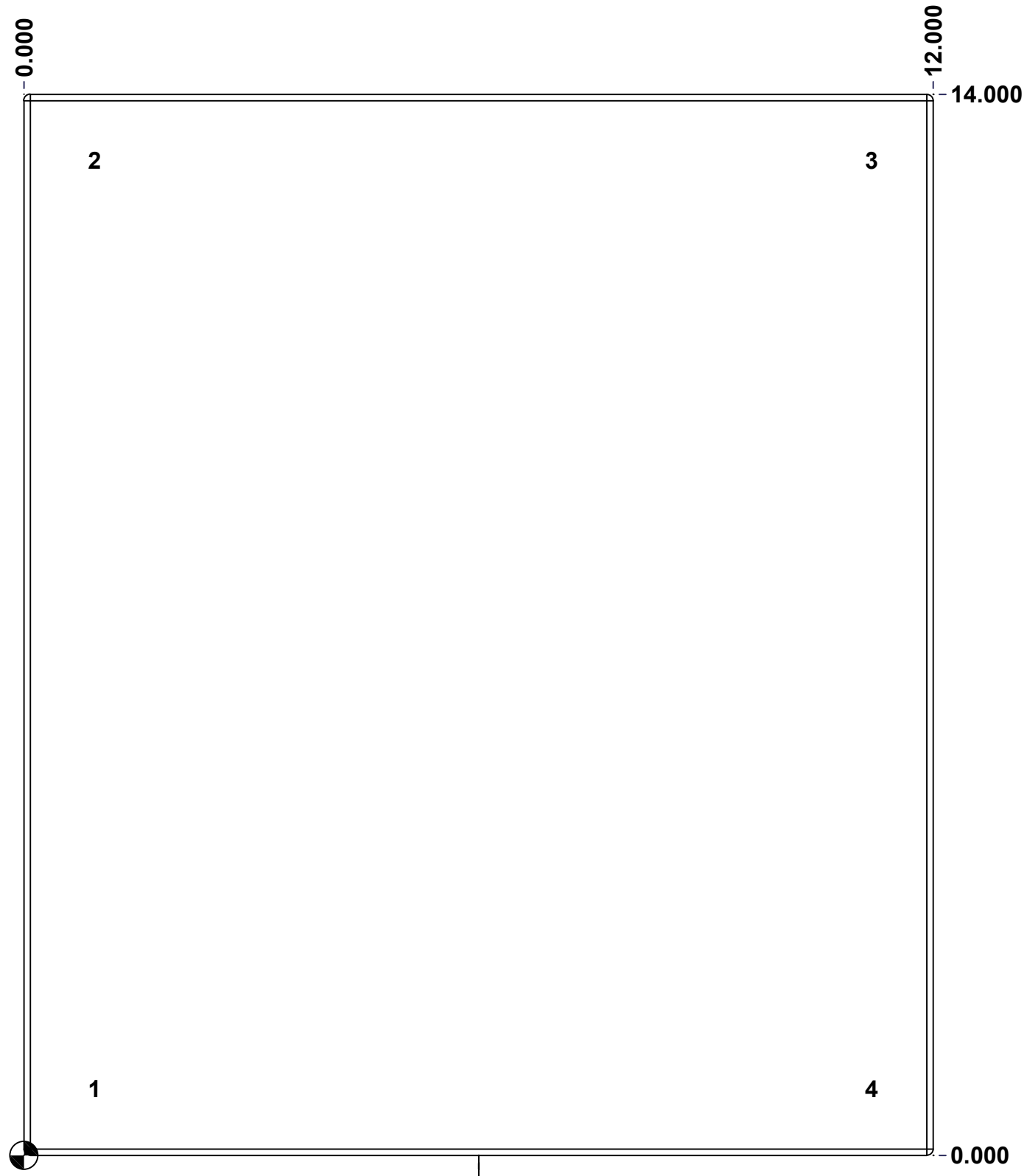
This drawing is confidential and must not be reproduced or used without the consent of EXM

Ce dessin est confidentiel et ne doit pas être reproduit ou utilisé sans le consentement de EXM

STANDARD FEATURES ARE NOT LISTED IN THIS HOLE TABLE

HOLE TABLE - BACK VIEW (CUSTOM FEATURE ONLY)

| CUT-OUT | XDIM | YDIM | DESCRIPTION |
|---------|--------|--------|--------------------------------|
| 1 | 0.875 | 0.875 | IP STANDOFF M6 x 10mm (Inside) |
| 2 | 0.875 | 13.125 | IP STANDOFF M6 x 10mm (Inside) |
| 3 | 11.125 | 13.125 | IP STANDOFF M6 x 10mm (Inside) |
| 4 | 11.125 | 0.875 | IP STANDOFF M6 x 10mm (Inside) |



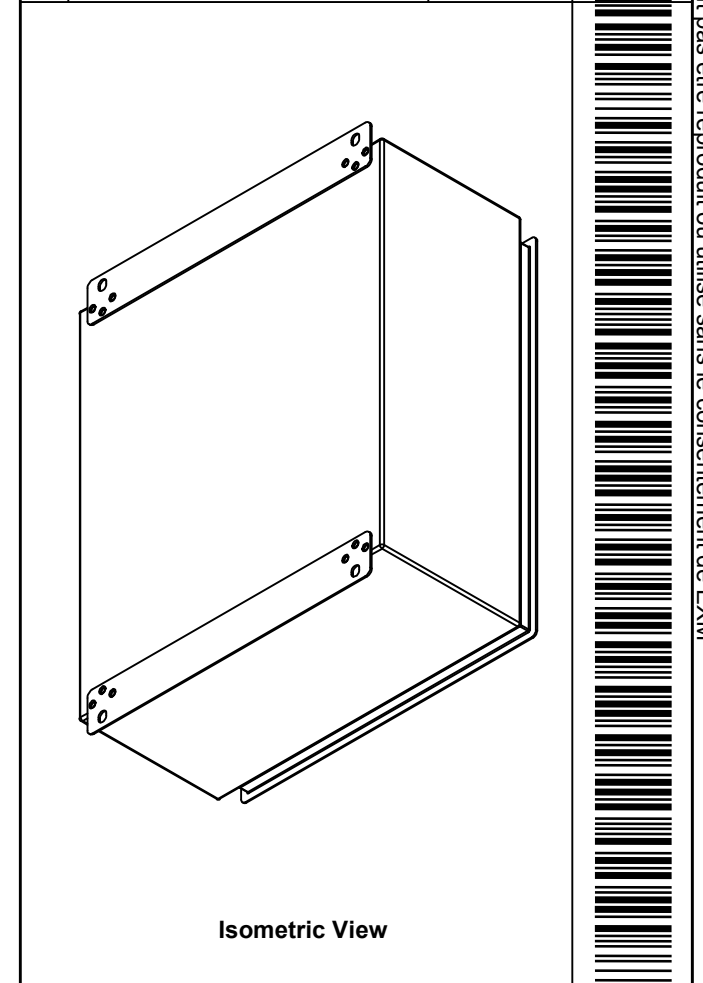
BACK

| | | |
|--|------------------------------|------------------|
| | Description | Status |
| | 5412ESCH 14" x 12" x 6" Body | (NULL) |
| | Part Number Numéro Pièce | Rev. |
| | 5412ESCH141206NOIPB | 0 / 5 / 9 |

This drawing is confidential and must not be reproduced or used without the consent of EXM

Ce dessin est confidentiel et ne doit pas être reproduit ou utilisé sans le consentement de EXM

| No. | Revisions | Date | By/Par |
|-----|-----------|------|--------|
| | | | |
| | | | |
| | | | |
| | | | |
| | | | |




 Tél: (450) 979-4373
 Fax: (450) 979-4626
www.exmweb.com

Flatness / Aplatissement: Max 3.0mm
 Projection: 

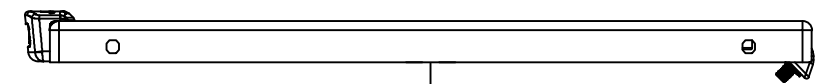
| | |
|---|-----------------|
| Customer Client | Date |
| Drawn By / Dessiné Par: BoxCad: BoxCad | Date: 08-Mar-23 |
| Material / Matière: 16 Ga Cold Rolled A1008 CS Type B (1.4mm) | |

| | |
|--|-----------------------|
| Color / Couleur: Asa-61 Grey | Finish / Fini: Smooth |
| Description: 5412ESCH 14" x 12" x 6" Body | |
| Part Number / Numéro Pièce: 5412ESCH141206NOIPB | Rev. 0 |

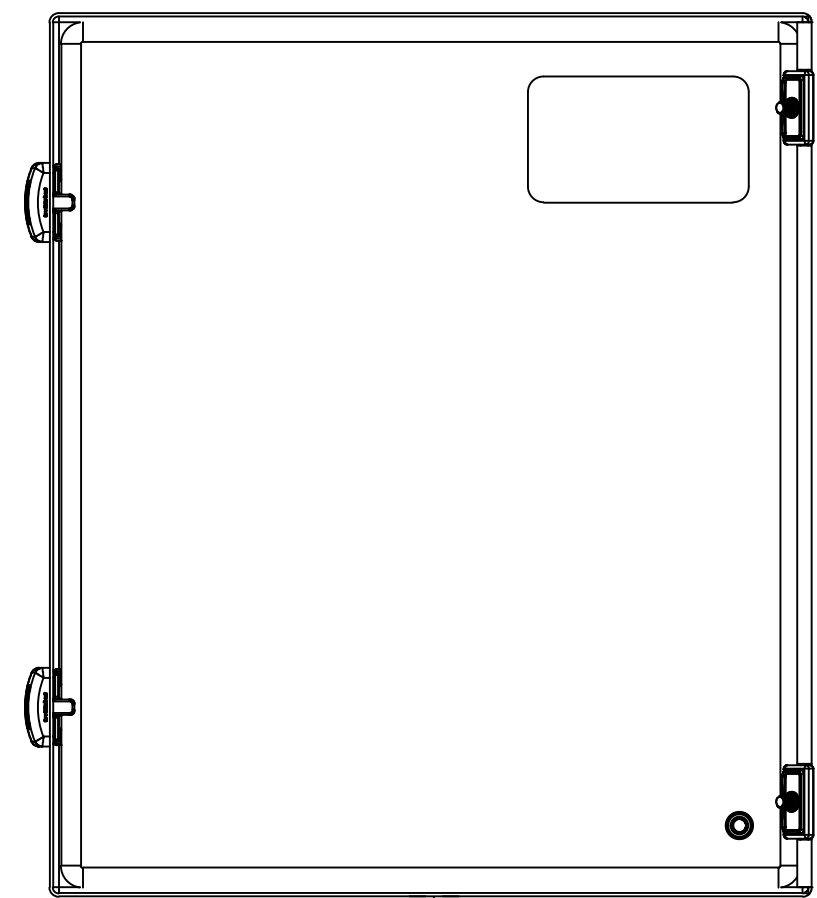
| Qty | Part Number | Rev | Description |
|------------|-----------------------|-----|---|
| 2 | STK-Q-71305-12 | 0 | 5412ESCH Mounting Feet (11.181") |
| 1 | 5412ESCH141206NOIPB-P | 0 | 5412ESCH 14" x 12" x 6" Body Part |
| 1 | STK-P-02400S | 0 | Powder Paint (Asa-61 Grey / Smooth) |
| 2 | STK-A-70469 | 6 | 5412 ESSMCH - Stainless Steel 316 Body Catch Assembly |
| 2 | STK-Q-08100 | 1 | M5 Nylon Insert Lock Nut |
| 5 | STK-Q-08350 | 5 | Standoff M6 x 10mm |
| Parts List | | | |

This drawing is confidential and must not be reproduced or used without the consent of EXM

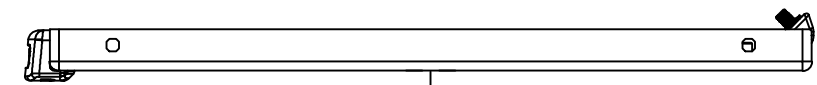
Ce dessin est confidentiel et ne doit pas être reproduit ou utilisé sans le consentement de EXM



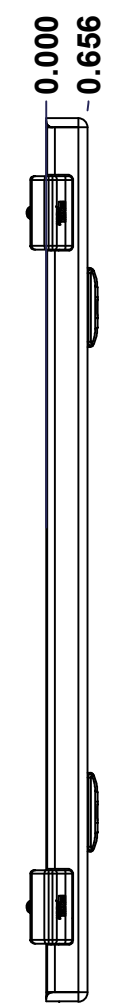
TOP



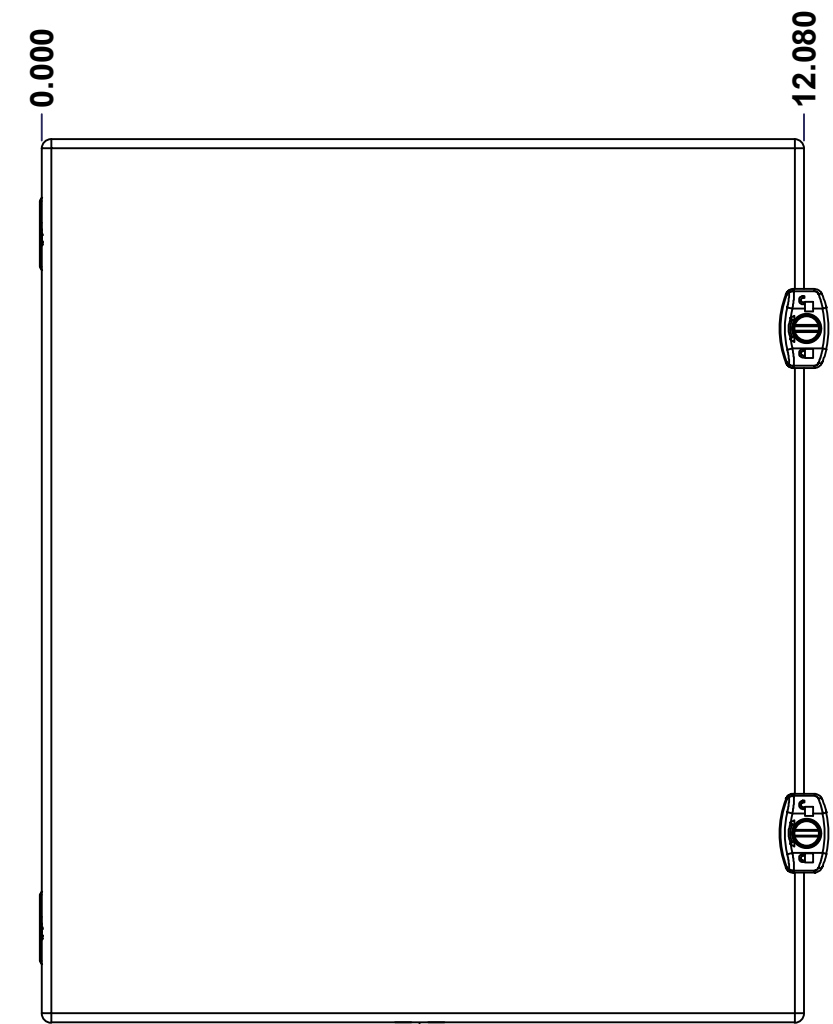
BACK



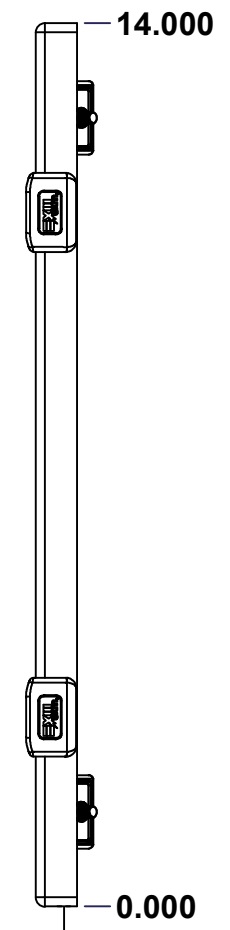
BOTTOM



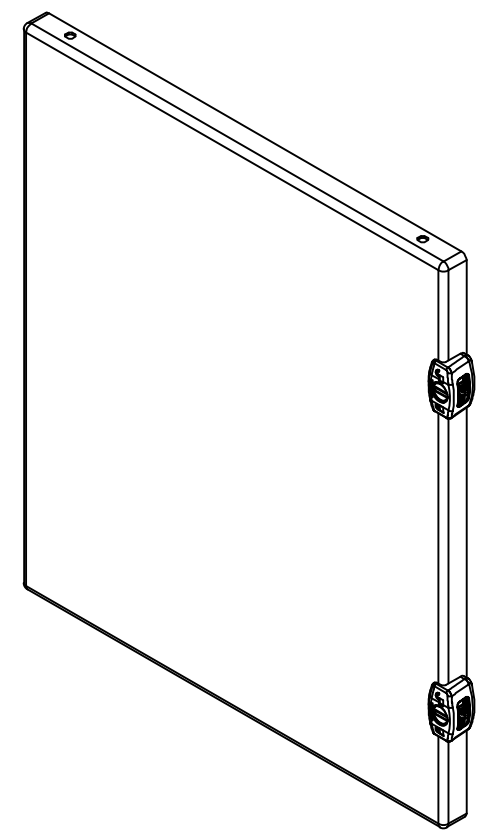
LEFT



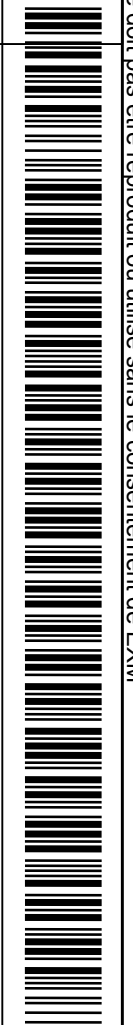
FRONT




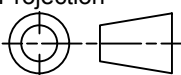
RIGHT



Isometric View



| No. | Revisions | Date | By/Par |
|-----|-----------|------|--------|
| | | | |
| | | | |
| | | | |
| | | | |

| | | |
|--|---|---|
|  Tél: (450) 979-4373 Fax: (450) 979-4626 www.exmweb.com | | Flatness Aplatissement Max 3.0mm Projection  |
| Customer Client | Date | |
| Drawn By Dessiné Par | BoxCad: BoxCad | Date 08-Mar-23 |
| Material Matière | 16 Ga Cold Rolled A1008 CS Type B (1.4mm) | |
| Color Couleur | Asa-61 Grey | Finish Fini Smooth |
| Description | Detail Rev. | |
| 5412ESCH 14" x 12" Cover | | |
| Part Number Numéro Pièce | Rev. 0 | 7 9 |

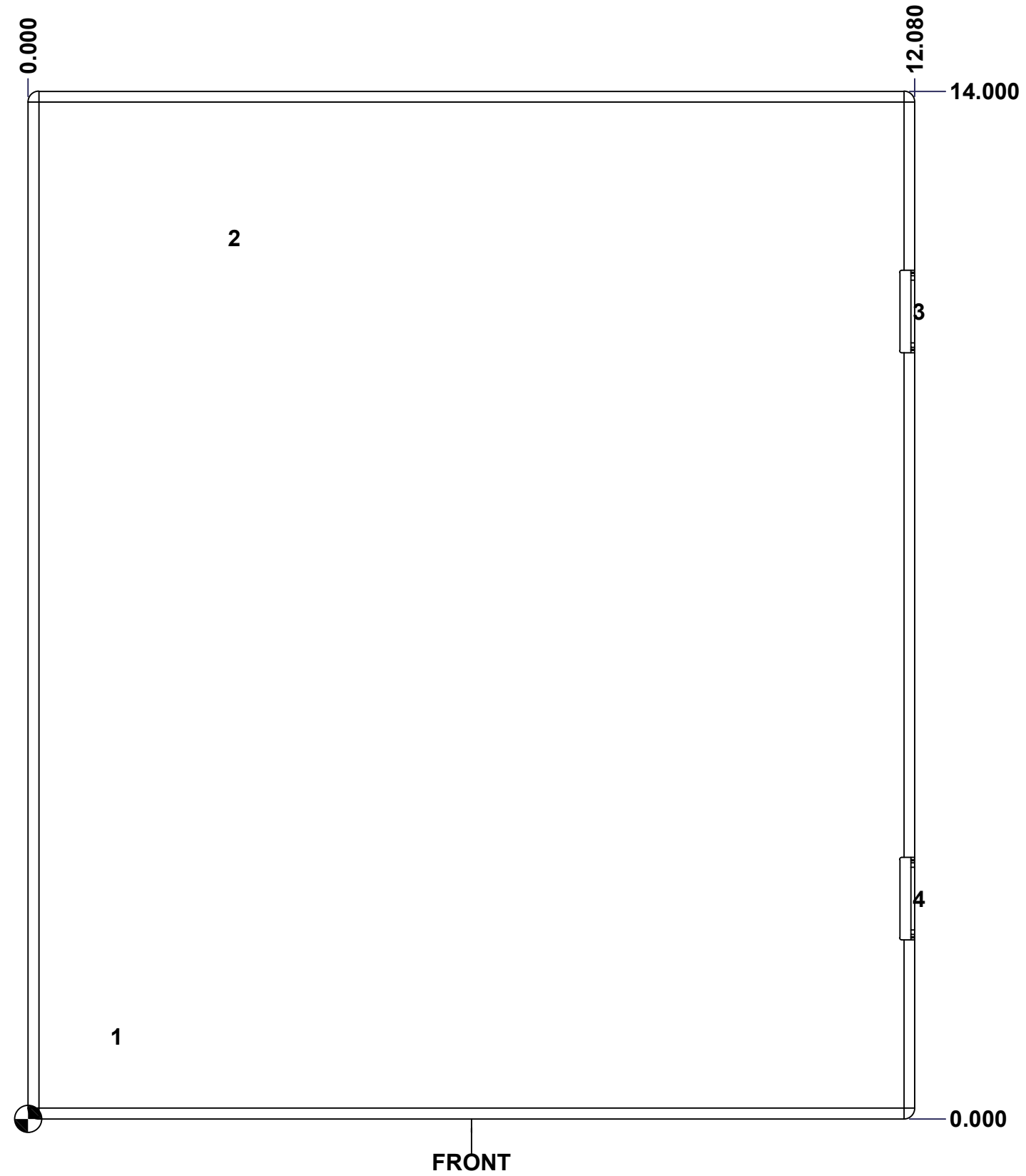
SEE BILL OF MATERIAL ON LAST PAGE

5412ESCH141206NOIPC

This drawing is confidential and must not be reproduced or used without the consent of EXM

Ce dessin est confidentiel et ne doit pas être reproduit ou utilisé sans le consentement de EXM

| STANDARD FEATURES ARE NOT LISTED IN THIS HOLE TABLE | | | |
|---|--------|--------|-----------------------------|
| HOLE TABLE - FRONT VIEW (CUSTOM FEATURE ONLY) | | | |
| CUT-OUT | XDIM | YDIM | DESCRIPTION |
| 1 | 1.145 | 1.125 | STANDOFF M6 x 10mm (Inside) |
| 2 | 2.750 | 12.000 | LABEL_EXM |
| 3 | 12.080 | 11.000 | LOCK 880 SCQ2MS @ 0.0° |
| 4 | 12.080 | 3.000 | LOCK 880 SCQ2MS @ 0.0° |

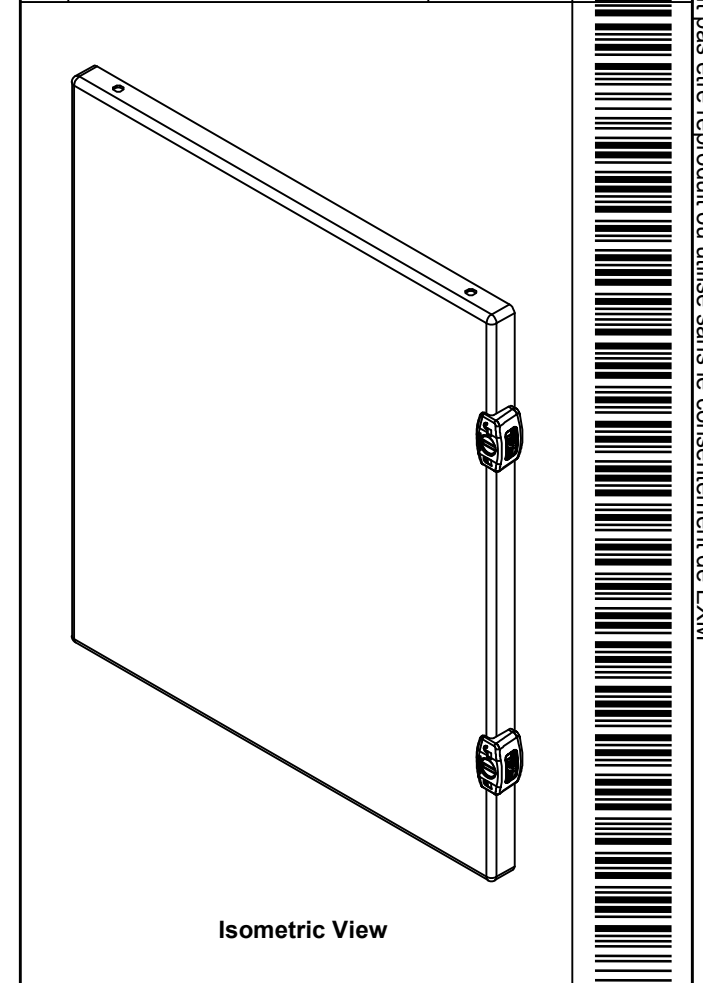


| | | |
|--|-----------------------------|----------|
| | Description | Status |
| | 5412ESCH 14" x 12" Cover | (NULL) |
| | Part Number Numéro Pièce | Rev. |
| | 5412ESCH141206NOIPC | 0 |
| | | 8 |
| | | 9 |

This drawing is confidential and must not be reproduced or used without the consent of EXM

Ce dessin est confidentiel et ne doit pas être reproduit ou utilisé sans le consentement de EXM

| No. | Revisions | Date | By/Par |
|-----|-----------|------|--------|
| | | | |
| | | | |
| | | | |
| | | | |
| | | | |



| | | |
|--|---|--|
| Tél: (450) 979-4373 Fax: (450) 979-4626 www.exmweb.com | | Flatness Aplatissement Max 3.0mm Projection |
| Customer Client | Date | |
| Drawn By Dessiné Par | BoxCad: BoxCad | Date 08-Mar-23 |
| Material Matière | 16 Ga Cold Rolled A1008 CS Type B (1.4mm) | |
| Color Couleur | Asa-61 Grey | Finish Fini Smooth |
| Description | | Detail Rev. |
| 5412ESCH 14" x 12" Cover | | |
| Part Number Numéro Pièce | Rev. | 9 |
| 5412ESCH141206NOIPC | 0 | 9 |

| Qty | Part Number | Rev | Description |
|------------|-----------------------|-----|---|
| 1 | 5412ESCH141206NOIPG | 0 | 5412ESCH 14" x 12" Gasket |
| 1 | STK-S-00100 | 0 | 3.5" x 2" Silver Milar Flexcon Sticker |
| 1 | STK-Q-08350 | 5 | Standoff M6 x 10mm |
| 1 | STK-P-02400S | 0 | Powder Paint (Asa-61 Grey / Smooth) |
| 1 | 5412ESCH141206NOIPC-P | 0 | 5412ESCH 14" x 12" Cover Part |
| 2 | STK-A-33033 | 4 | 5412 ESMCH Hinge |
| 2 | 880SCQ2MS | 3 | 5412 ESMCH - External Lock Assy - Slot Lock |
| Parts List | | | |