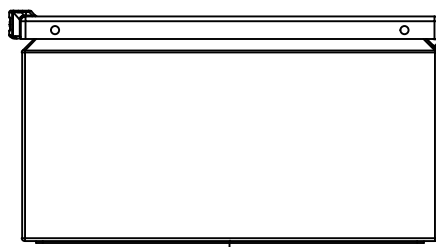
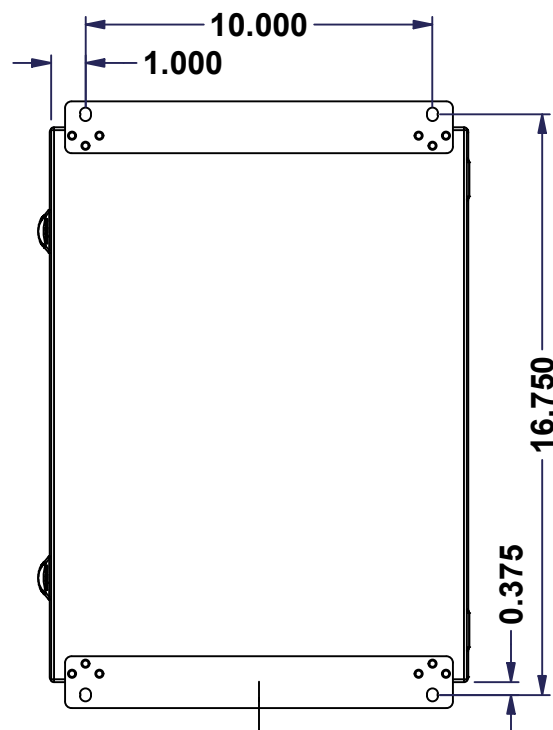


This drawing is confidential and must not be reproduced or used without the consent of EXM

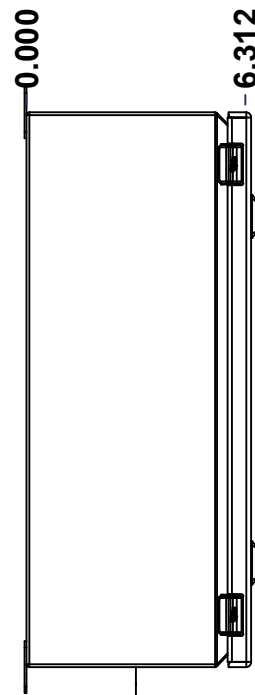
Ce dessin est confidentiel et ne doit pas être reproduit ou utilisé sans le consentement de EXM



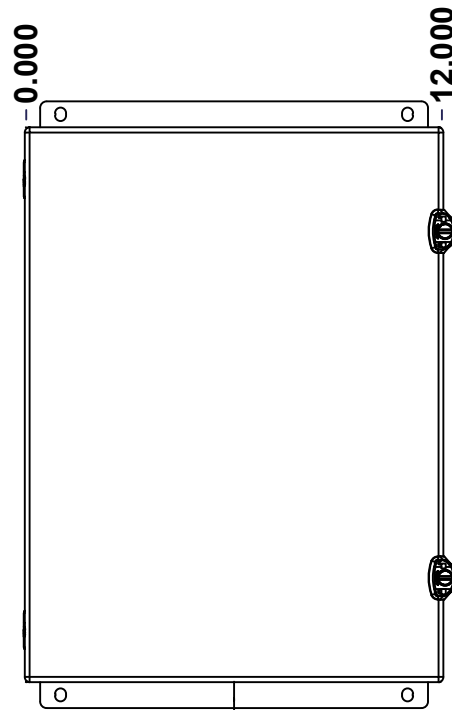
TOP



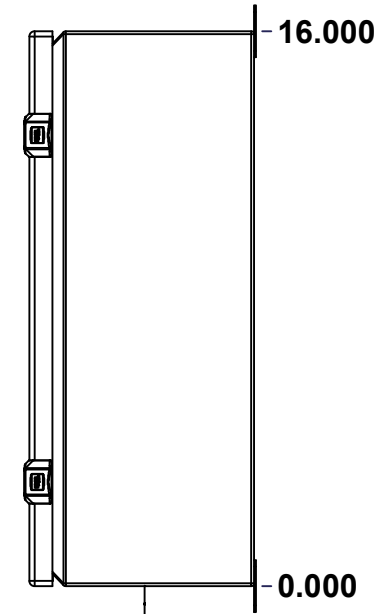
BACK



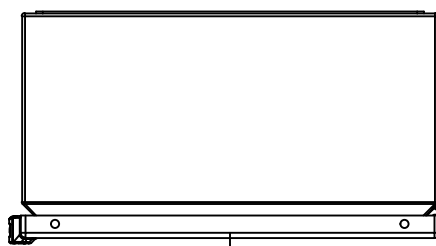
LEFT



FRONT

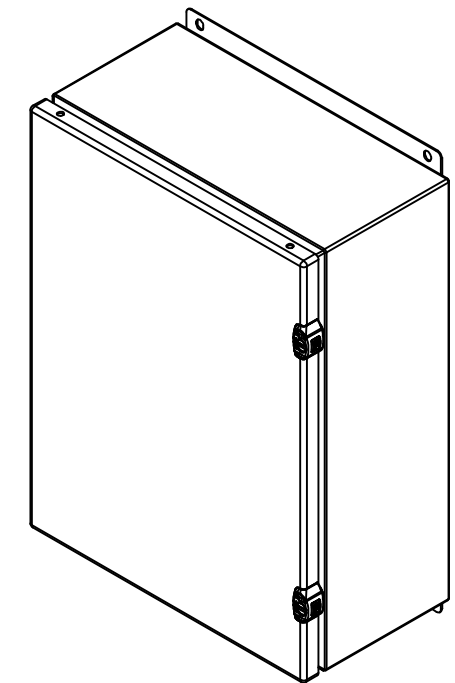


RIGHT



BOTTOM

| No. | Revisions | Date | By/Par |
|-----|-----------|------|--------|
| | | | |
| | | | |
| | | | |
| | | | |



Isometric View

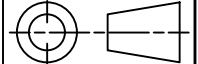


Tél: (450) 979-4373
 Fax: (450) 979-4626
www.exmweb.com

Flatness
Aplatissement

Max 3.0mm

Projection



| | |
|---|-----------------------|
| Customer Client | Date |
| Drawn By Dessiné Par BoxCad: BoxCad | Date 04-Apr-13 |
| Material Matière 16 Ga Cold Rolled A1008 CS Type B (1.4mm) | |
| Color Couleur Asa-61 Grey | Finish Fini Smooth |

| | |
|---|-------------|
| Description 5412ESCH 16" x 12" x 6" Assembly | Detail Rev. |
|---|-------------|

| | | |
|--|------------------|--------|
| Part Number Numéro Pièce 5412ESCH161206 | Rev. 0 | 1 9 |
|--|------------------|--------|

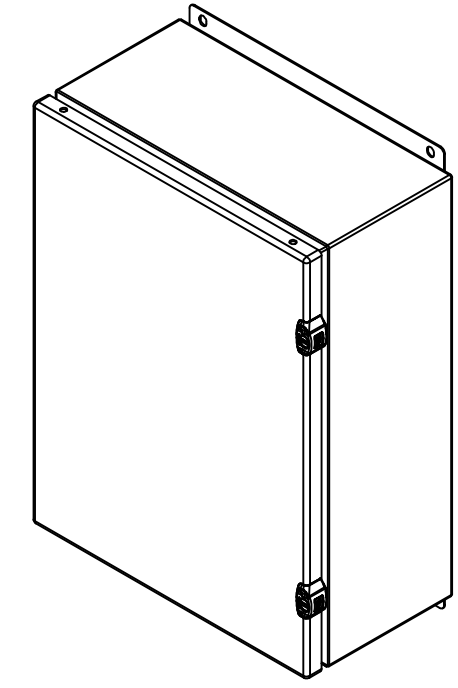
SEE BILL OF MATERIAL ON LAST PAGE

This drawing is confidential and must not be reproduced or used without the consent of EXM

Ce dessin est confidentiel et ne doit pas être reproduit ou utilisé sans le consentement de EXM

| NOTE | |
|------|--|
| ITEM | DESCRIPTION |
| 1 | NEMA 4, 12 Enclosure (IP66) |
| 2 | C/W Standard ground standoffs on box and cover |
| 3 | W/O Standard door stiffener |
| 4 | C/W Standard inner panel (Included) |
| 5 | C/W Standard inner panel mounting standoffs |

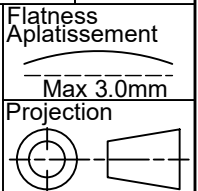
| No. | Revisions | Date | By/Par |
|-----|-----------|------|--------|
| | | | |
| | | | |
| | | | |
| | | | |
| | | | |
| | | | |



Isometric View



Tél: (450) 979-4373
 Fax: (450) 979-4626
www.exmweb.com



| | |
|---|-----------------|
| Customer Client | Date |
| Drawn By / Dessiné Par: BoxCad: BoxCad | Date: 04-Apr-13 |
| Material / Matière: 16 Ga Cold Rolled A1008 CS Type B (1.4mm) | |

| | |
|---|-----------------------|
| Color / Couleur: Asa-61 Grey | Finish / Fini: Smooth |
| Description: 5412ESCH 16" x 12" x 6" Assembly | Detail Rev. |
| Part Number / Numéro Pièce: 5412ESCH161206 | Rev. 0 |

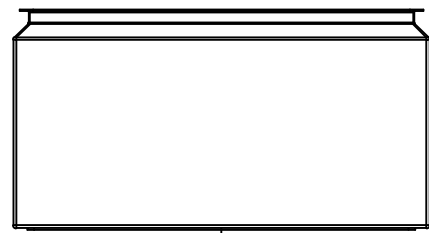
| PACKING | | |
|-----------------|-----|--|
| ITEM | QTY | DESCRIPTION |
| STK-E-04326 | 1 | CARTON 5412 ESCH161206 |
| Plastic bag | 1 | To protect cover surface and inside gasket |
| Packaging label | 1 | White label with product number |
| STK-S-01100 | 1 | ESCH EXM SQUARE STICKER |

| Qty | Part Number | Rev | Description |
|-----|-----------------|-----|---|
| 1 | 5412ESCH161206C | 0 | 5412ESCH 16" x 12" Cover |
| 1 | 880 SP1612G | 0 | 880 SP1612G - Inner Panel |
| 1 | STK-K-02910 | 3 | 5412 ESCH Accessory Kit |
| 1 | 5412ESCH161206B | 0 | 5412ESCH 16" x 12" x 6" Body |
| 2 | STK-A-08126 | 0 | M5 Stainless Steel 316 Nylon Insert Lock Nut with Incorporated Sealing Washer |

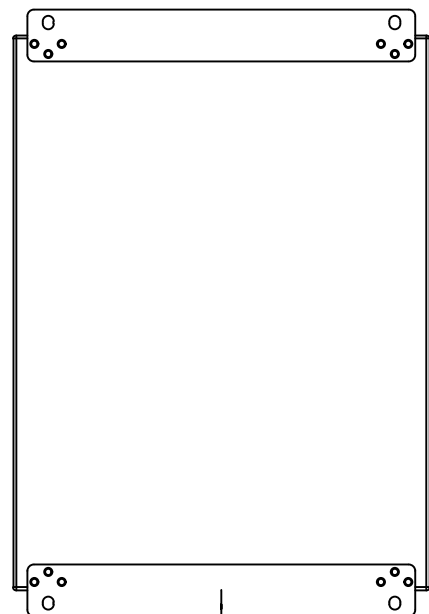
Parts List

This drawing is confidential and must not be reproduced or used without the consent of EXM

Ce dessin est confidentiel et ne doit pas être reproduit ou utilisé sans le consentement de EXM



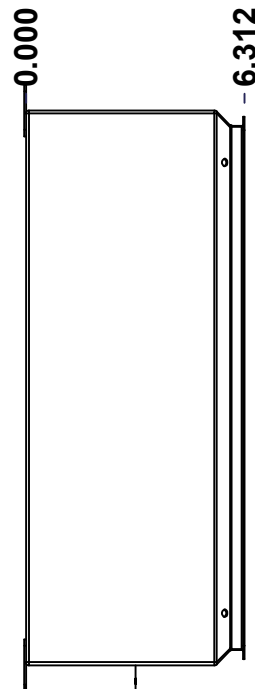
TOP



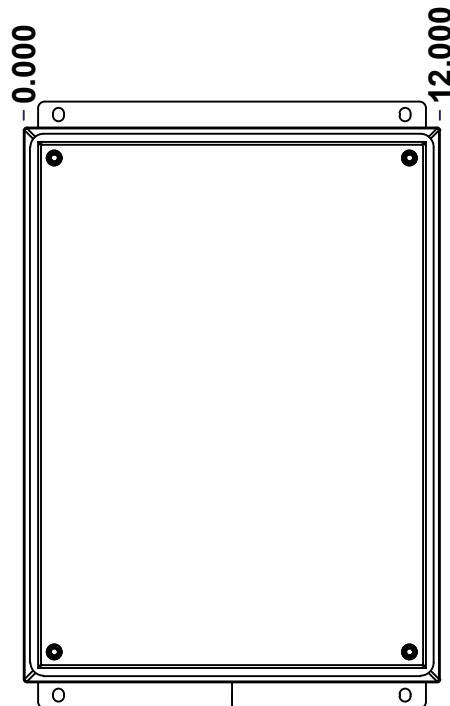
BACK



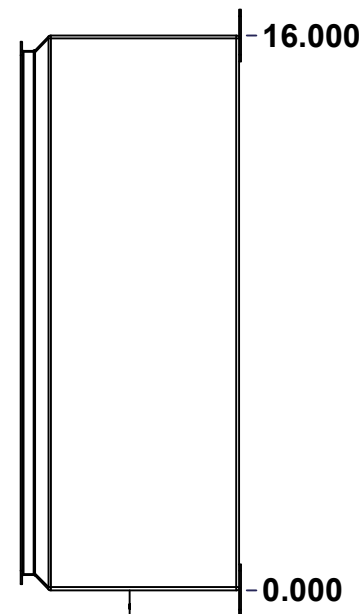
BOTTOM



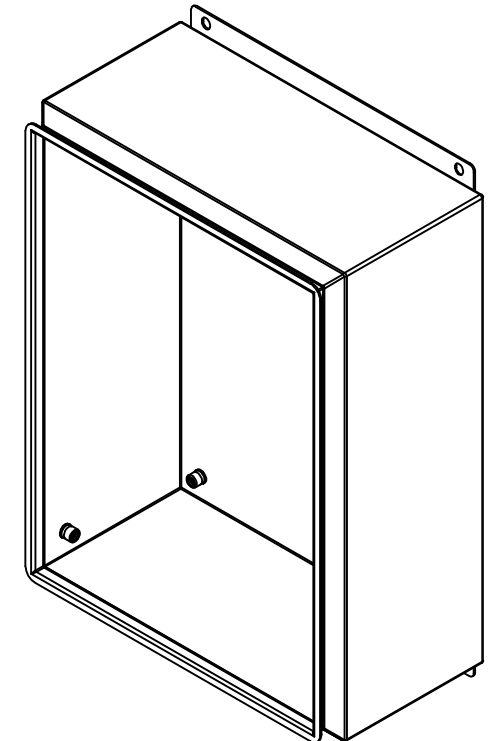
LEFT



FRONT




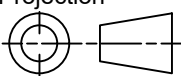
RIGHT



Isometric View



| No. | Revisions | Date | By/Par |
|-----|-----------|------|--------|
| | | | |
| | | | |
| | | | |
| | | | |
| | | | |

| | | |
|--|---|---|
|  Tél: (450) 979-4373 Fax: (450) 979-4626 www.exmweb.com | | Flatness Aplatissement Max 3.0mm Projection  |
| Customer Client | Date | |
| Drawn By Dessiné Par | BoxCad: BoxCad | Date 04-Apr-13 |
| Material Matière | 16 Ga Cold Rolled A1008 CS Type B (1.4mm) | |
| Color Couleur | Asa-61 Grey | Finish Fini Smooth |
| Description 5412ESCH 16" x 12" x 6" Body | | Detail Rev. |
| Part Number Numéro Pièce | Rev. 0 | 3 9 |

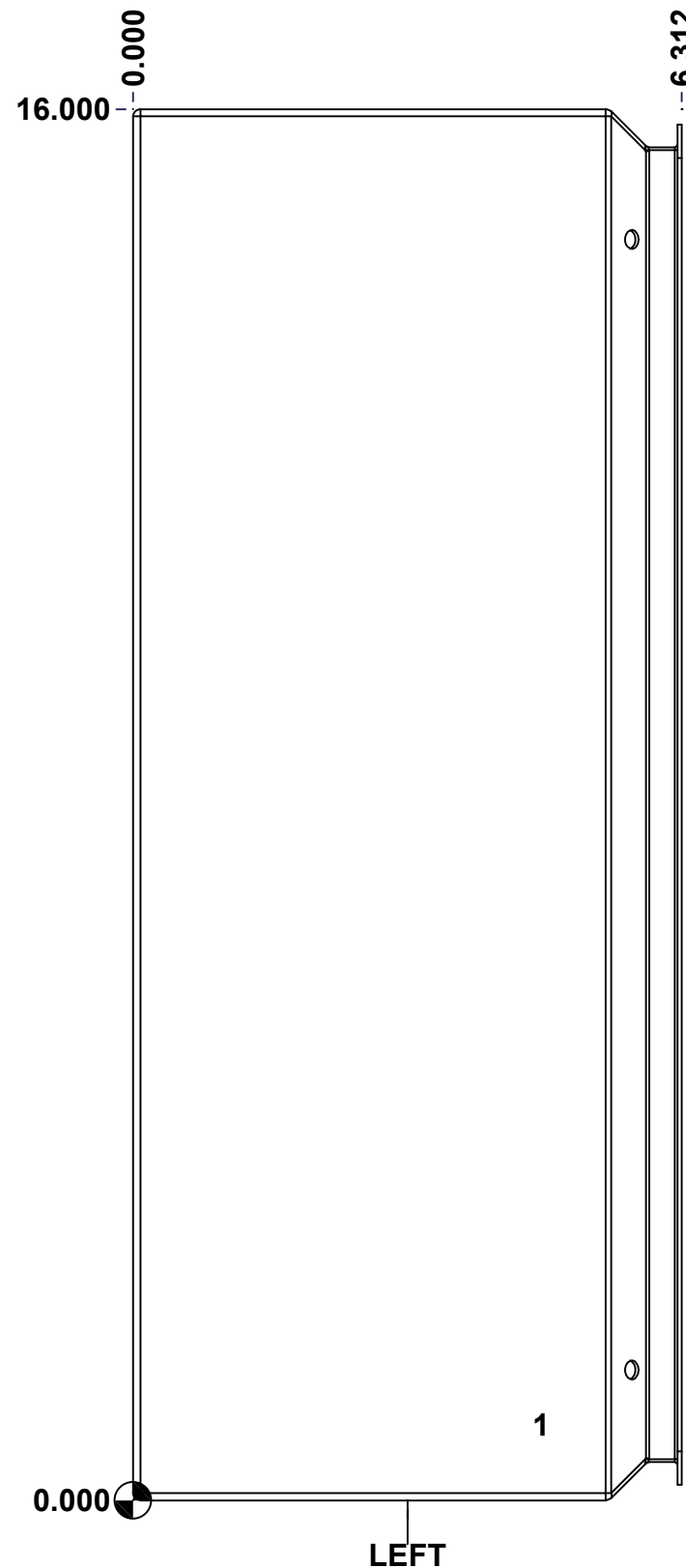
SEE BILL OF MATERIAL ON LAST PAGE

5412ESCH161206B

This drawing is confidential and must not be reproduced or used without the consent of EXM

Ce dessin est confidentiel et ne doit pas être reproduit ou utilisé sans le consentement de EXM

| STANDARD FEATURES ARE NOT LISTED IN THIS HOLE TABLE | | | |
|--|-------|-------|-----------------------------|
| HOLE TABLE - LEFT VIEW (CUSTOM FEATURE ONLY) | | | |
| CUT-OUT | XDIM | YDIM | DESCRIPTION |
| 1 | 4.625 | 0.875 | STANDOFF M6 x 10mm (Inside) |

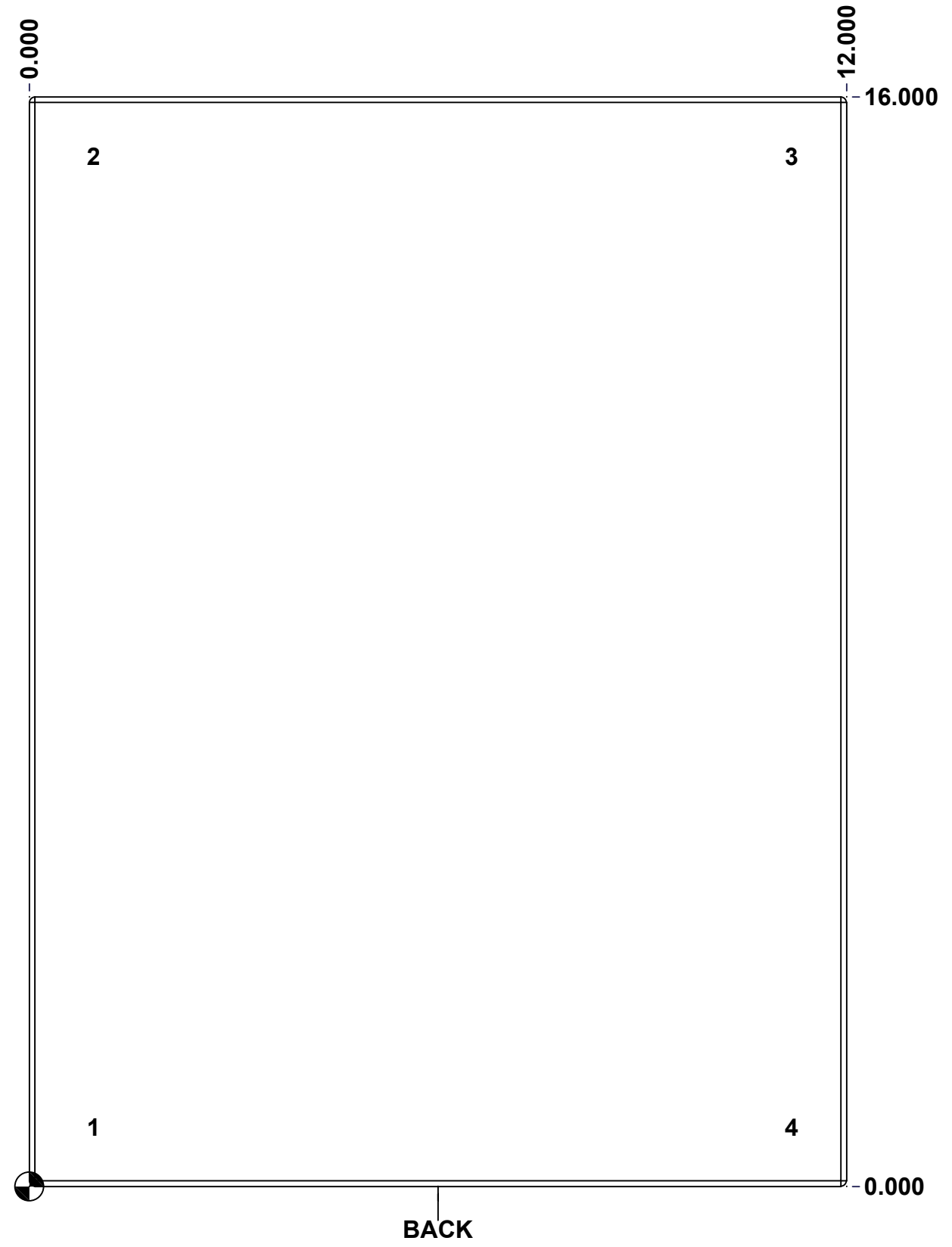


| | | | |
|--|------------------------------|----------|--------|
| | Description | Status | |
| | 5412ESCH 16" x 12" x 6" Body | (NULL) | |
| | Part Number Numéro Pièce | Rev. | |
| | 5412ESCH161206B | 0 | 4 9 |

This drawing is confidential and must not be reproduced or used without the consent of EXM

Ce dessin est confidentiel et ne doit pas être reproduit ou utilisé sans le consentement de EXM

| STANDARD FEATURES ARE NOT LISTED IN THIS HOLE TABLE | | | |
|---|--------|--------|--------------------------------|
| HOLE TABLE - BACK VIEW (CUSTOM FEATURE ONLY) | | | |
| CUT-OUT | XDIM | YDIM | DESCRIPTION |
| 1 | 0.875 | 0.875 | IP STANDOFF M6 x 10mm (Inside) |
| 2 | 0.875 | 15.125 | IP STANDOFF M6 x 10mm (Inside) |
| 3 | 11.125 | 15.125 | IP STANDOFF M6 x 10mm (Inside) |
| 4 | 11.125 | 0.875 | IP STANDOFF M6 x 10mm (Inside) |

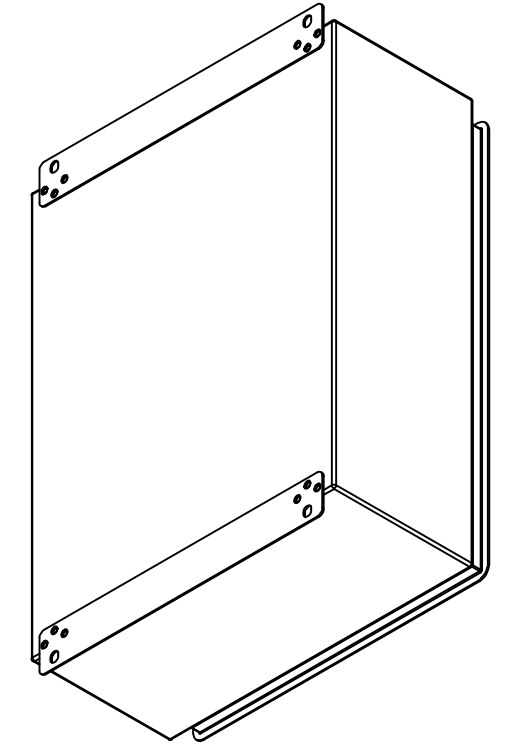


| | | |
|--|------------------------------|------------------|
| | Description | Status |
| | 5412ESCH 16" x 12" x 6" Body | (NULL) |
| | Part Number Numéro Pièce | Rev. |
| | 5412ESCH161206B | 0 / 5 / 9 |

This drawing is confidential and must not be reproduced or used without the consent of EXM


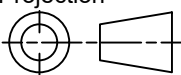
Ce dessin est confidentiel et ne doit pas être reproduit ou utilisé sans le consentement de EXM

| No. | Revisions | Date | By/Par |
|-----|-----------|------|--------|
| | | | |
| | | | |
| | | | |
| | | | |
| | | | |



Isometric View

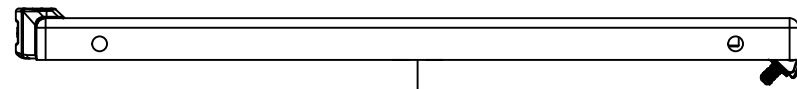


| | | |
|--|------------------------------|---|
|  Tél: (450) 979-4373 Fax: (450) 979-4626 www.exmweb.com | | Flatness Aplatissement Max 3.0mm Projection  |
| Customer Client | Date | |
| Drawn By / Dessiné Par: BoxCad: BoxCad | Date: 04-Apr-13 | |
| Material / Matière: 16 Ga Cold Rolled A1008 CS Type B (1.4mm) | Color / Couleur: Asa-61 Grey | |
| | Finish / Fini: Smooth | |
| Description: 5412ESCH 16" x 12" x 6" Body | | Detail Rev. |
| Part Number / Numéro Pièce: 5412ESCH161206B | | Rev. 6 |
| | | 9 |

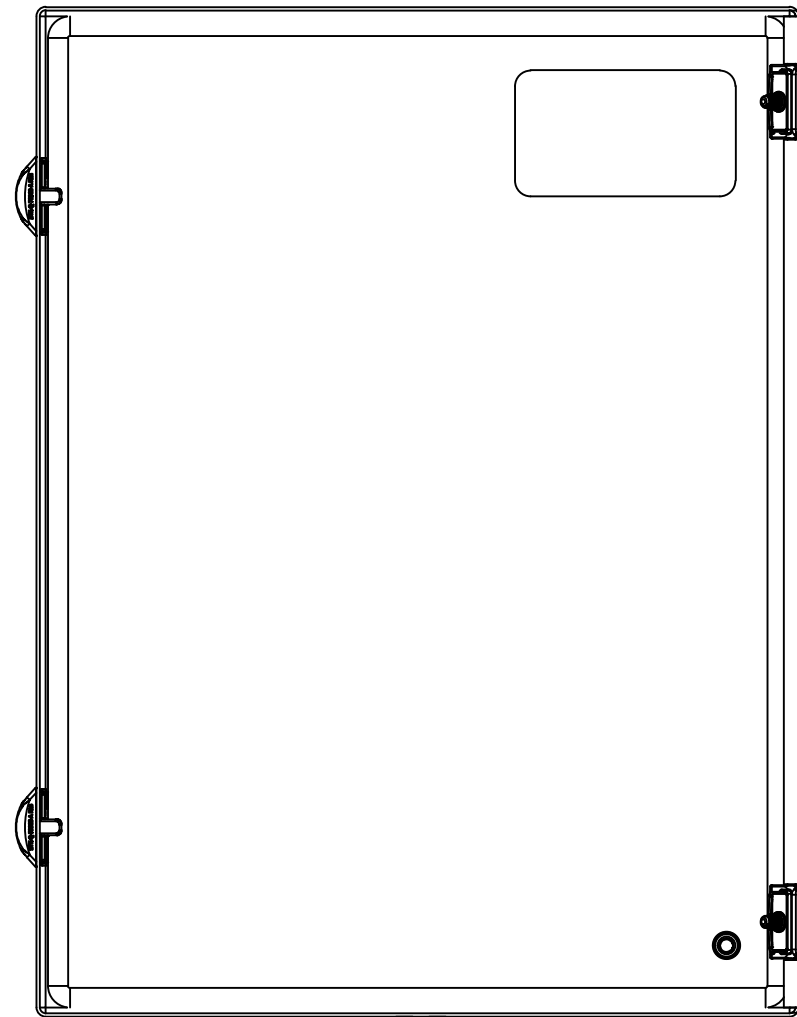
| Qty | Part Number | Rev | Description |
|------------|-------------------|-----|-------------------------------------|
| 2 | STK-Q-71305-12 | 0 | 5412ESCH Mounting Feet (11.181") |
| 1 | 5412ESCH161206B-P | 0 | 5412ESCH 16" x 12" x 6" Body Part |
| 1 | STK-P-02400S | 0 | Powder Paint (Asa-61 Grey / Smooth) |
| 5 | STK-Q-08350 | 5 | Standoff M6 x 10mm |
| Parts List | | | |

This drawing is confidential and must not be reproduced or used without the consent of EXM

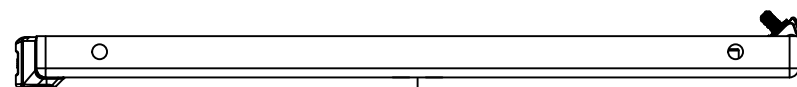
Ce dessin est confidentiel et ne doit pas être reproduit ou utilisé sans le consentement de EXM



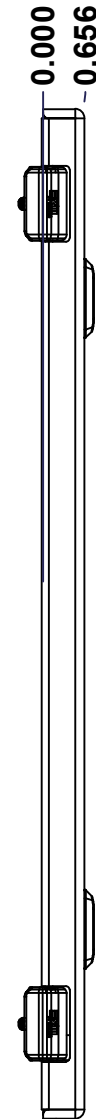
TOP



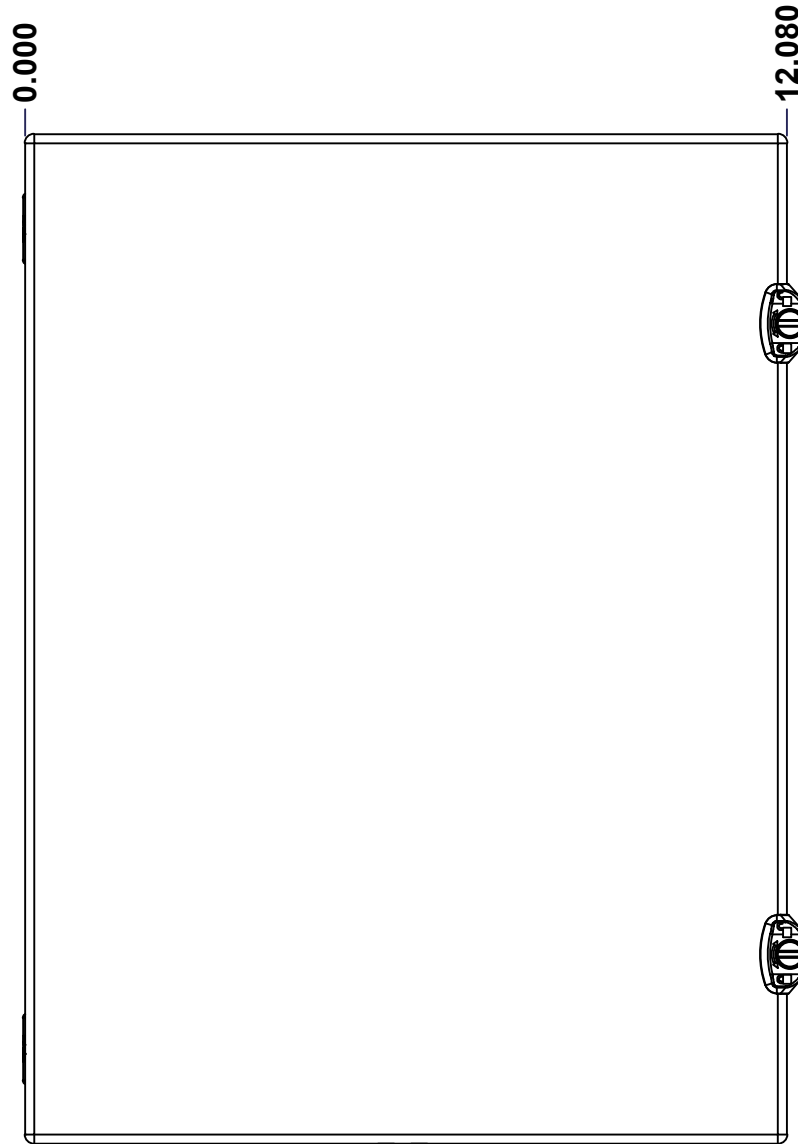
BACK



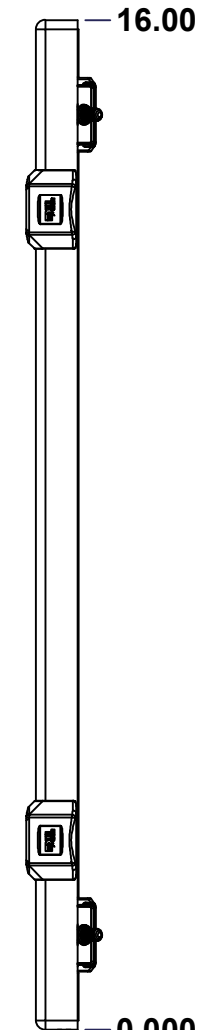
BOTTOM



LEFT

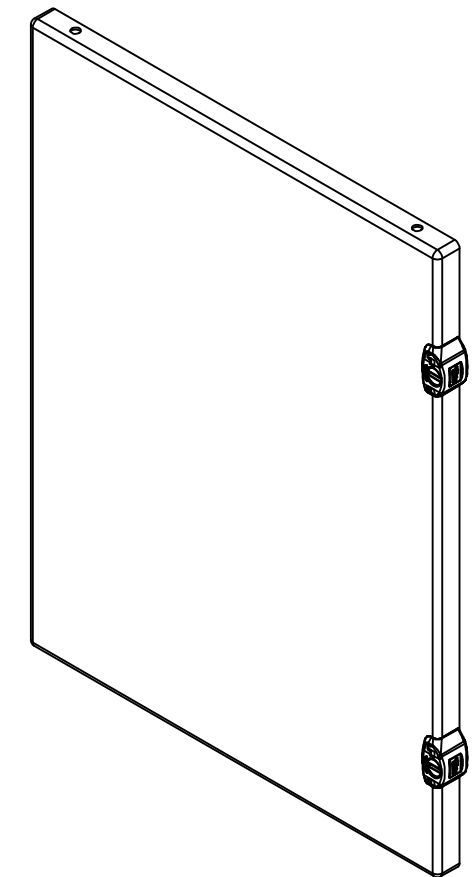


FRONT



RIGHT

| No. | Revisions | Date | By/Par |
|-----|-----------|------|--------|
| | | | |
| | | | |
| | | | |
| | | | |



Isometric View



Tél: (450) 979-4373
 Fax: (450) 979-4626
www.exmweb.com

Flatness
Aplatissement
Max 3.0mm
Projection

| | |
|---|-----------------------|
| Customer Client | Date |
| Drawn By Dessiné Par BoxCad: BoxCad | Date 04-Apr-13 |
| Material Matière 16 Ga Cold Rolled A1008 CS Type B (1.4mm) | |
| Color Couleur Asa-61 Grey | Finish Fini Smooth |
| Description 5412ESCH 16" x 12" Cover | Detail Rev. |
| Part Number Numéro Pièce 5412ESCH161206C | Rev. 7 0 |

SEE BILL OF MATERIAL ON LAST PAGE

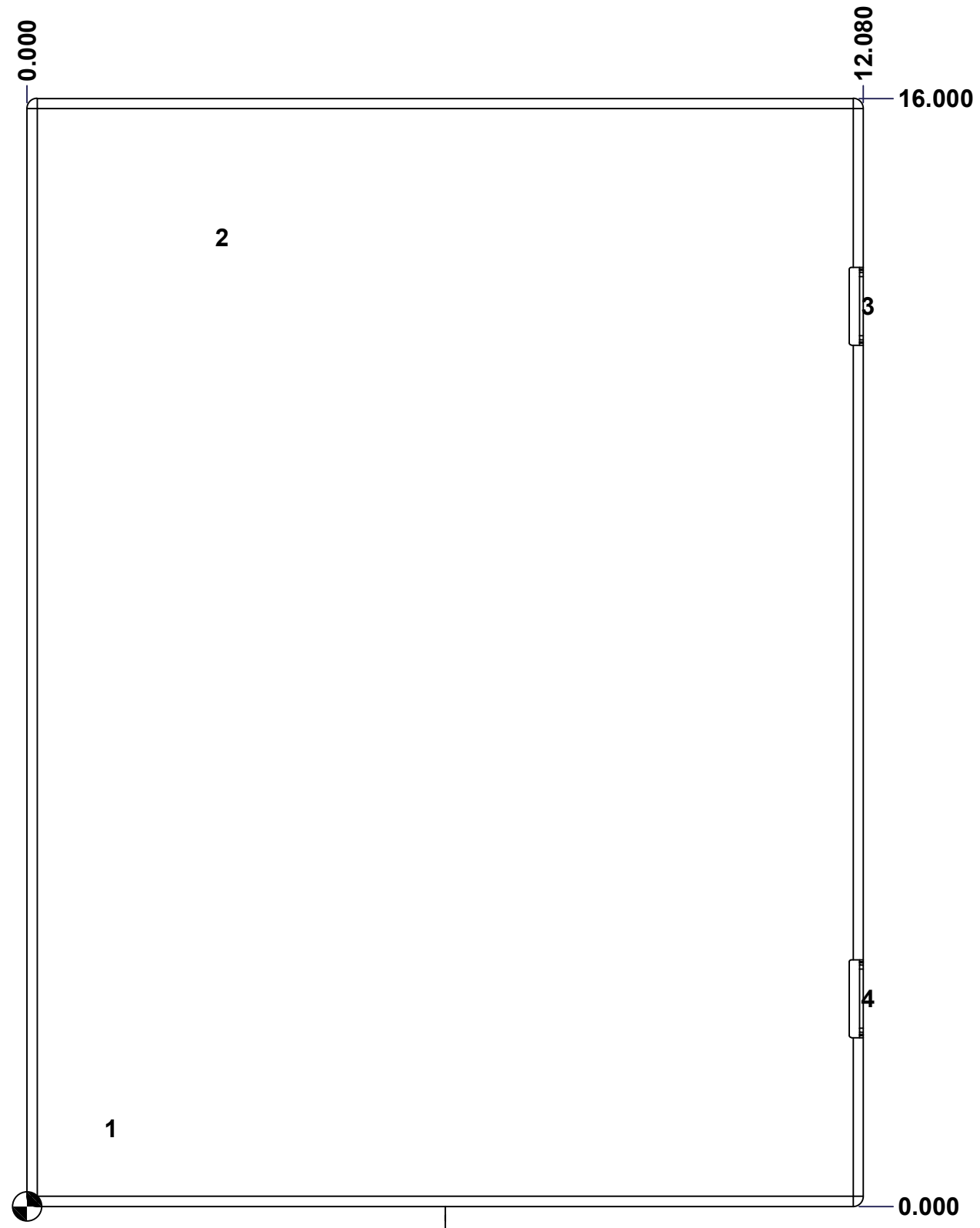
This drawing is confidential and must not be reproduced or used without the consent of EXM

Ce dessin est confidentiel et ne doit pas être reproduit ou utilisé sans le consentement de EXM

STANDARD FEATURES ARE NOT LISTED IN THIS HOLE TABLE

HOLE TABLE - FRONT VIEW (CUSTOM FEATURE ONLY)

| CUT-OUT | XDIM | YDIM | DESCRIPTION |
|---------|--------|--------|-----------------------------|
| 1 | 1.145 | 1.125 | STANDOFF M6 x 10mm (Inside) |
| 2 | 2.750 | 14.000 | LABEL_EXM |
| 3 | 12.080 | 13.000 | LOCK 880 SCQ2-SL @ 0.0° |
| 4 | 12.080 | 3.000 | LOCK 880 SCQ2-SL @ 0.0° |



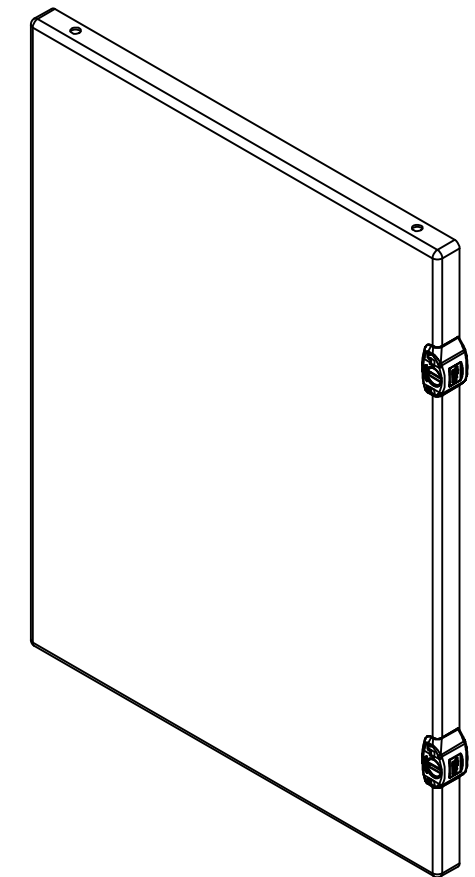
FRONT

| | | | |
|-----------------------------|--------------------------|--------|---|
| | Description | Status | |
| | 5412ESCH 16" x 12" Cover | (NULL) | |
| Part Number Numéro Pièce | 5412ESCH161206C | Rev. | 8 |
| | | 0 | 9 |

This drawing is confidential and must not be reproduced or used without the consent of EXM


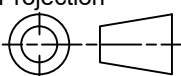
Ce dessin est confidentiel et ne doit pas être reproduit ou utilisé sans le consentement de EXM

| No. | Revisions | Date | By/Par |
|-----|-----------|------|--------|
| | | | |
| | | | |
| | | | |
| | | | |
| | | | |



Isometric View

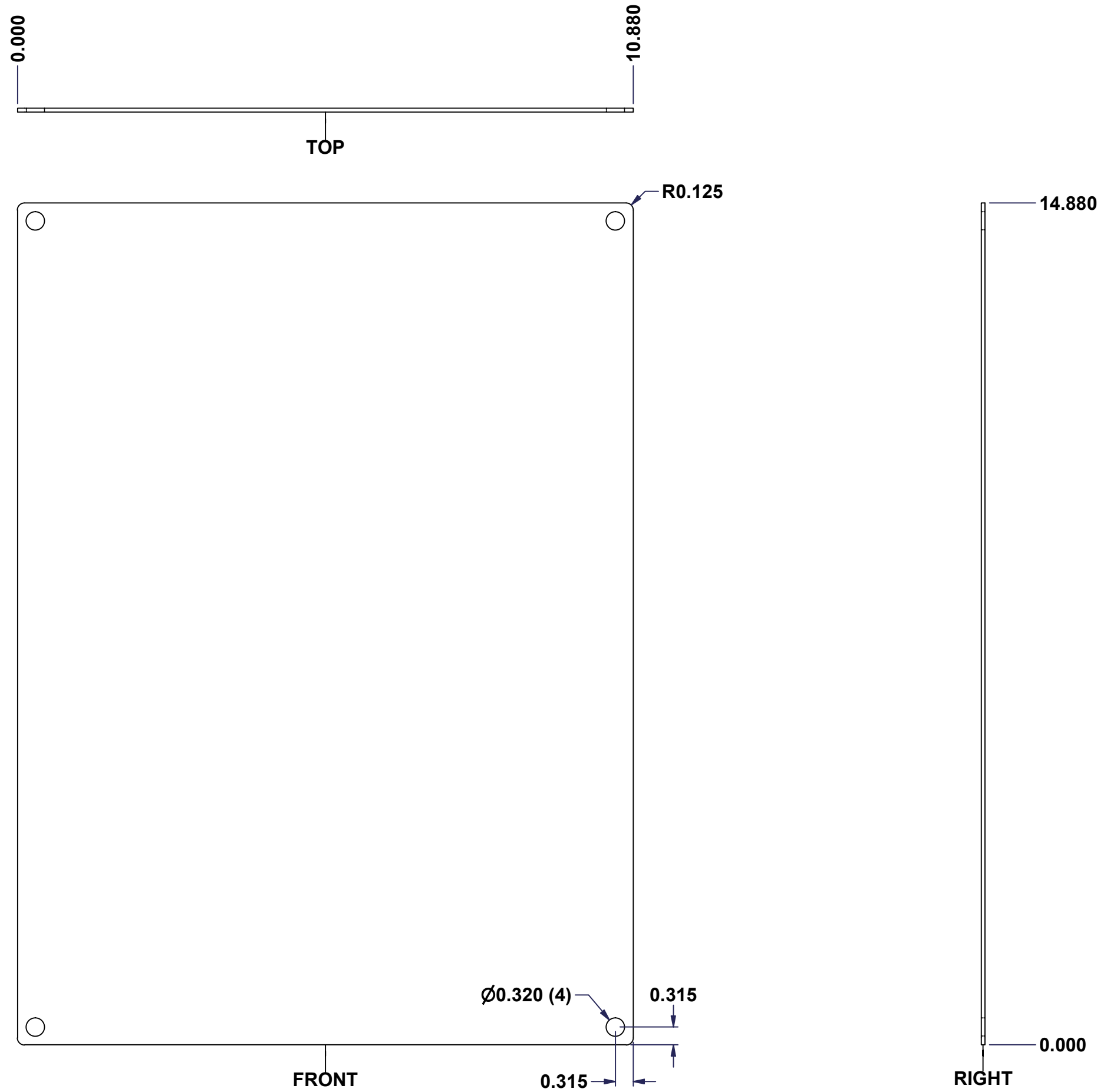


| | | |
|--|---|---|
|  Tél: (450) 979-4373 Fax: (450) 979-4626 www.exmweb.com | | Flatness Aplatissement Max 3.0mm Projection  |
| Customer Client | Date | |
| Drawn By Dessiné Par | BoxCad: BoxCad | Date 04-Apr-13 |
| Material Matière | 16 Ga Cold Rolled A1008 CS Type B (1.4mm) | |
| Color Couleur | Asa-61 Grey | Finish Fini Smooth |
| Description | | Detail Rev. |
| 5412ESCH 16" x 12" Cover | | |
| Part Number Numéro Pièce | Rev. | 9 |
| 5412ESCH161206C | 0 | 9 |

| Qty | Part Number | Rev | Description |
|------------|-------------------|-----|---|
| 1 | 5412ESCH161206G | 0 | 5412ESCH 16" x 12" Gasket |
| 1 | STK-S-00100 | 0 | 3.5" x 2" Silver Milar Flexcon Sticker |
| 1 | STK-Q-08350 | 5 | Standoff M6 x 10mm |
| 1 | STK-P-02400S | 0 | Powder Paint (Asa-61 Grey / Smooth) |
| 1 | 5412ESCH161206C-P | 0 | 5412ESCH 16" x 12" Cover Part |
| 2 | STK-A-33033 | 4 | 5412 ESMCH Hinge |
| 2 | STK-A-79960 | 14 | 5412 ESMCH - External Lock Assy - Slot Lock |
| Parts List | | | |

This drawing is confidential and must not be reproduced or used without the consent of EXM

Ce dessin est confidentiel et ne doit pas être reproduit ou utilisé sans le consentement de EXM



| No. | Revisions | Date | By/Par |
|-----|-----------|------|--------|
| | | | |
| | | | |
| | | | |
| | | | |

Isometric View

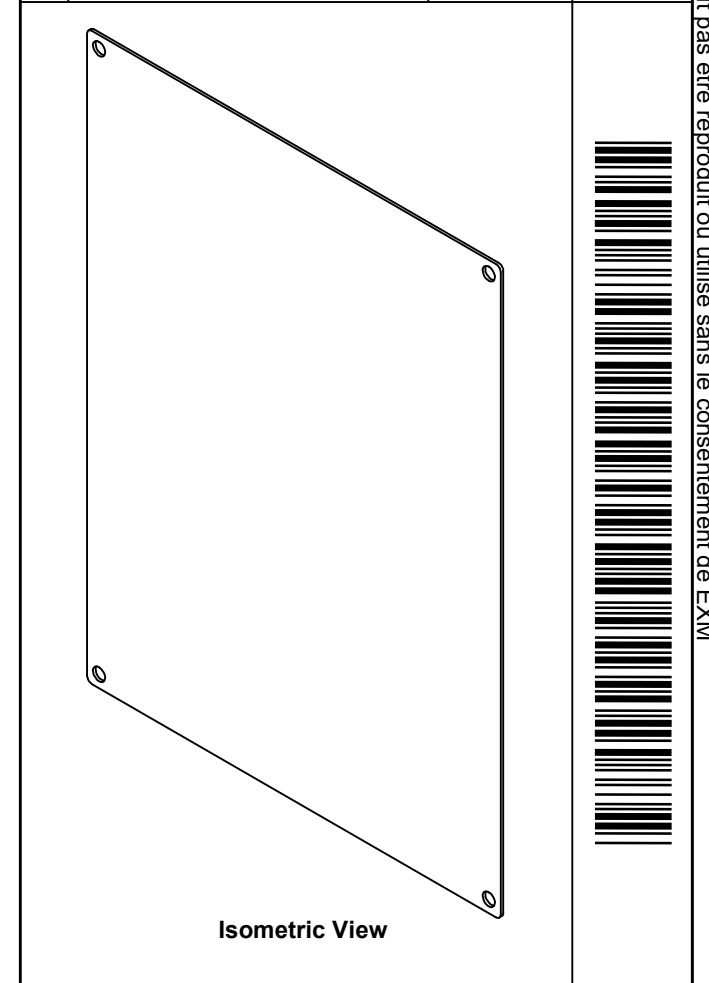
| | |
|---|--|
| <p>Tél: (450) 979-4373 Fax: (450) 979-4626 www.exmweb.com</p> | Flatness Aplatissement Max 3.0mm |
| | Projection |
| Customer Client | Date |
| Drawn By / Dessiné Par: BoxCad | Date: 23-Jan-07 |
| Material / Matière: 14 Ga Galvanized (1.7mm) | |
| Color / Couleur: Unpainted | Finish / Fini: Galvanized |
| Description: 880 SP1612G - Inner Panel | |
| Detail Rev. | |
| Part Number / Numéro Pièce: 880 SP1612G | Rev. 1 0 |


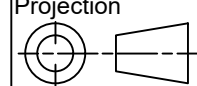
SEE BILL OF MATERIAL ON LAST PAGE

This drawing is confidential and must not be reproduced or used without the consent of EXM

Ce dessin est confidentiel et ne doit pas être reproduit ou utilisé sans le consentement de EXM

| No. | Revisions | Date | By/Par |
|-----|-----------|------|--------|
| | | | |
| | | | |
| | | | |
| | | | |
| | | | |



| | | |
|--|---------------------------|---|
|  Tél: (450) 979-4373 Fax: (450) 979-4626 www.exmweb.com | | Flatness Aplatissement Max 3.0mm |
| Customer Client | | Projection  |
| Drawn By Dessiné Par BoxCad | | Date 23-Jan-07 |
| Material Matière 14 Ga Galvanized (1.7mm) | | |
| Color Couleur Unpainted | Finish Fini Galvanized | |
| Description 880 SP1612G - Inner Panel | | Detail Rev. |
| Part Number Numéro Pièce 880 SP1612G | | Rev. 0 / 2 |

| Qty | Part Number | Rev | Description |
|------------|---------------|-----|--------------------------------|
| 1 | 880 SP1612G-P | 0 | 880 SP1612G - Inner Panel Part |
| Parts List | | | |