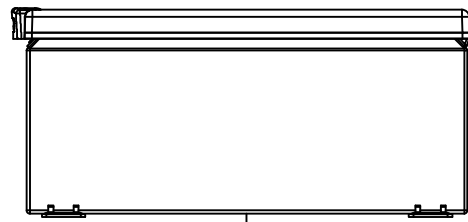
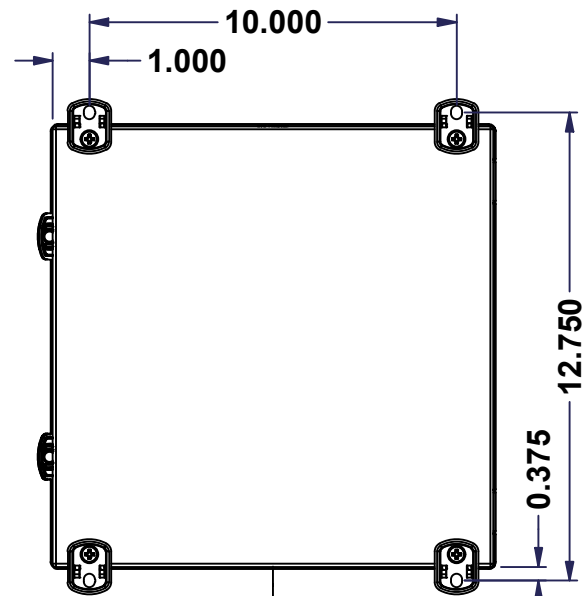


This drawing is confidential and must not be reproduced or used without the consent of EXM

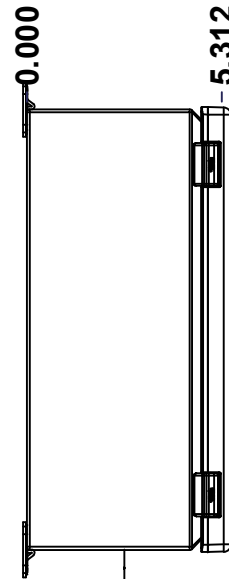
Ce dessin est confidentiel et ne doit pas être reproduit ou utilisé sans le consentement de EXM



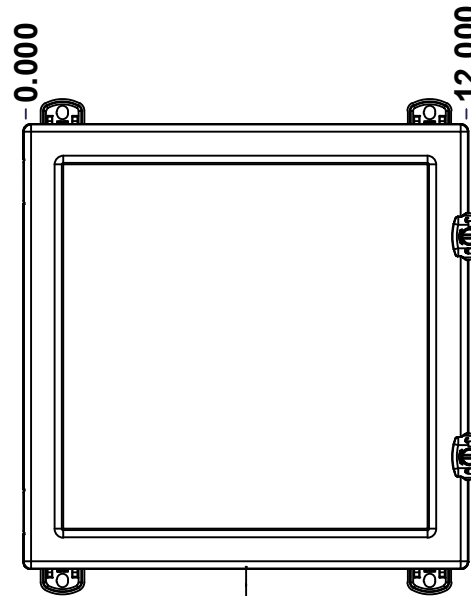
TOP



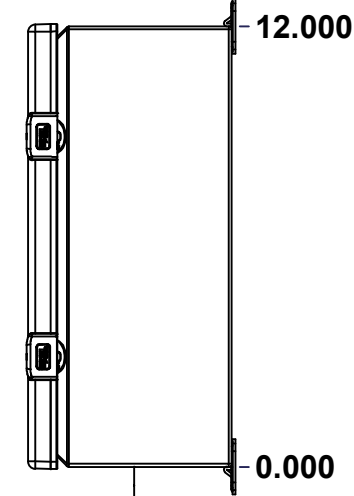
BACK



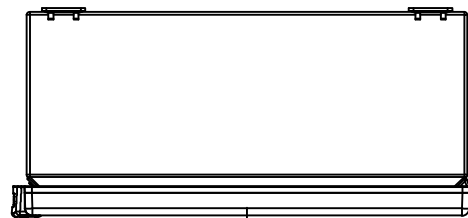
LEFT



FRONT

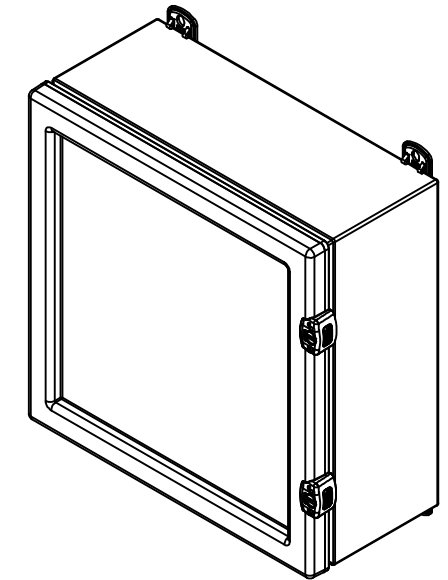


RIGHT



BOTTOM

No.	Revisions	Date	By/Par



Isometric View



Tél: (450) 979-4373
 Fax: (450) 979-4626
www.exmweb.com

Flatness
Aplatissement
Max 3.0mm
Projection

Customer Client	Date
Drawn By Dessiné Par BoxCad: BoxCad	Date 16-Jun-14
Material Matière 16 Ga Cold Rolled A1008 CS Type B (1.4mm)	

Color Couleur Asa-61 Grey	Finish Fini Smooth
------------------------------	-----------------------

Description 5412ESCHV 12" x 12" x 5" Assembly	Detail Rev.
--	-------------

Part Number Numéro Pièce 5412ESCHV121205	Rev. 0	1 / 7
---	--------	-------

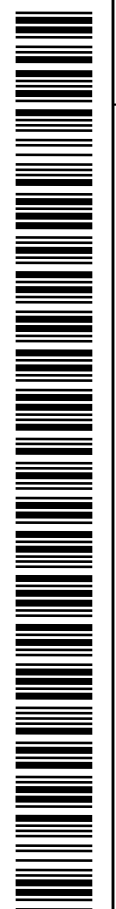
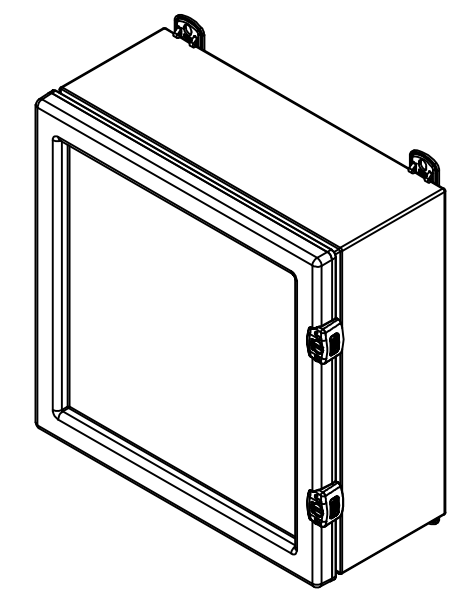
SEE BILL OF MATERIAL ON LAST PAGE

This drawing is confidential and must not be reproduced or used without the consent of EXM

Ce dessin est confidentiel et ne doit pas être reproduit ou utilisé sans le consentement de EXM

NOTE	
ITEM	DESCRIPTION
1	NEMA 4/12 Enclosure
2	W/O Standard ground standoffs on box and cover
3	W/O Standard door stiffener
4	C/W Standard inner panel (Included)
5	C/W Standard inner panel mounting standoffs

No.	Revisions	Date	By/Par



Isometric View



Tél: (450) 979-4373
 Fax: (450) 979-4626
www.exmweb.com



Customer Client	Date
Drawn By / Dessiné Par: BoxCad: BoxCad	Date: 16-Jun-14
Material / Matière: 16 Ga Cold Rolled A1008 CS Type B (1.4mm)	

Color / Couleur: Asa-61 Grey	Finish / Fini: Smooth
Description: 5412ESCHV 12" x 12" x 5" Assembly	Detail Rev.
Part Number / Numéro Pièce: 5412ESCHV121205	Rev. 0

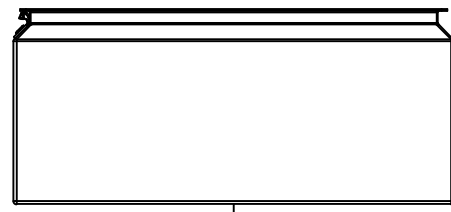
PACKING		
ITEM	QTY	DESCRIPTION
STK-E-04318	1	CARTON 5412 ESCH121205
Plastic bag	1	To protect cover surface and inside gasket
Packaging label	1	White label with product number
STK-S-01100	1	ESCH EXM SQUARE STICKER

Qty	Part Number	Rev	Description
1	5412ESCHV121205C	0	5412ESCHV 12" x 12" Cover
1	880 SP1212G	0	880 SP1212G - Inner Panel
1	STK-K-02940	2	5412 ESCHB Accessory Kit
1	5412ESCHV121205B	0	5412ESCHV 12" x 12" x 5" Body
2	STK-Q-08100	1	M5 Nylon Insert Lock Nut
2	STK-Q-10249	0	M5 Sealing Washer

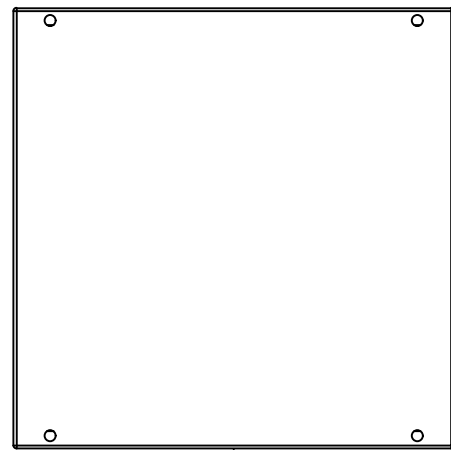
Parts List

This drawing is confidential and must not be reproduced or used without the consent of EXM

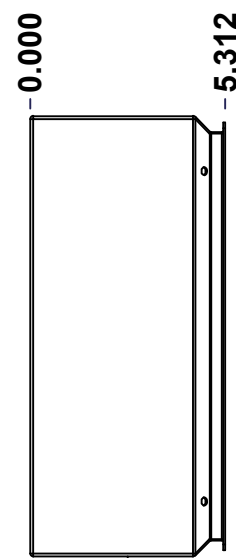
Ce dessin est confidentiel et ne doit pas être reproduit ou utilisé sans le consentement de EXM



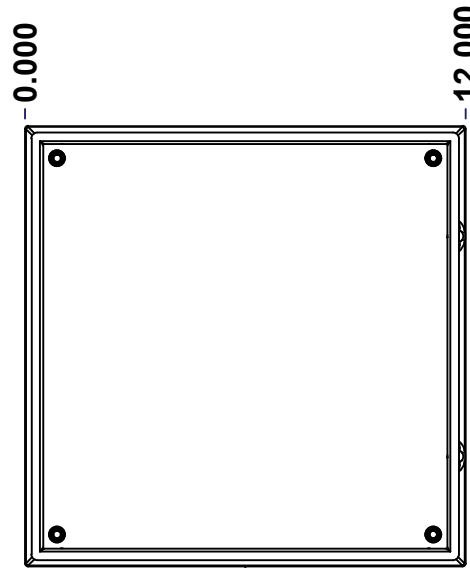
TOP



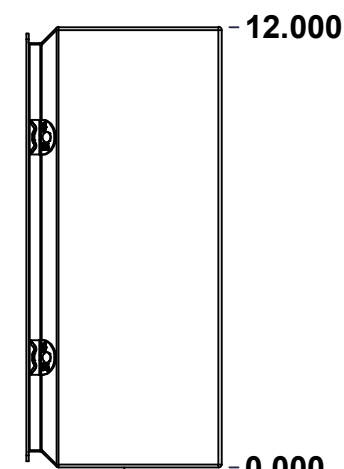
BACK



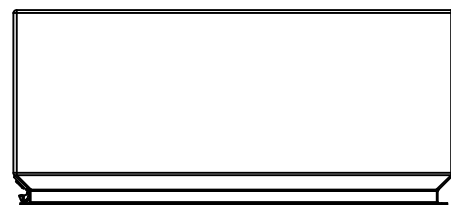
LEFT



FRONT

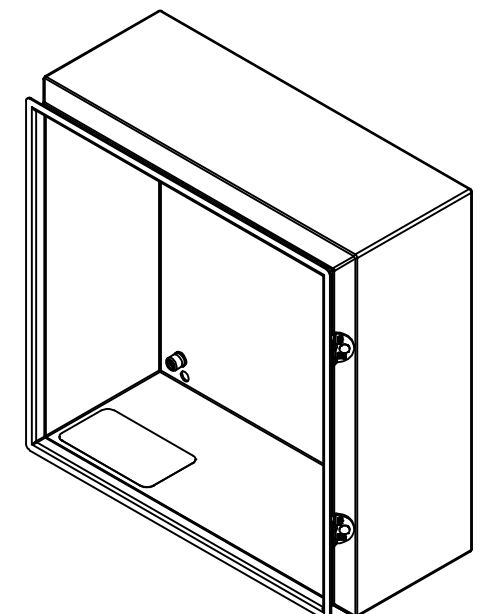


RIGHT



BOTTOM

No.	Revisions	Date	By/Par



Isometric View

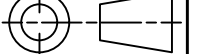


Tél: (450) 979-4373
 Fax: (450) 979-4626
www.exmweb.com

Flatness
Aplatissement

Max 3.0mm

Projection



Customer Client	Date
Drawn By / Dessiné Par: BoxCad: BoxCad	Date: 16-Jun-14
Material / Matière: 16 Ga Cold Rolled A1008 CS Type B (1.4mm)	

Color / Couleur: Asa-61 Grey	Finish / Fini: Smooth
------------------------------	-----------------------

Description: 5412ESCHV 12" x 12" x 5" Body	Detail Rev.
--	-------------

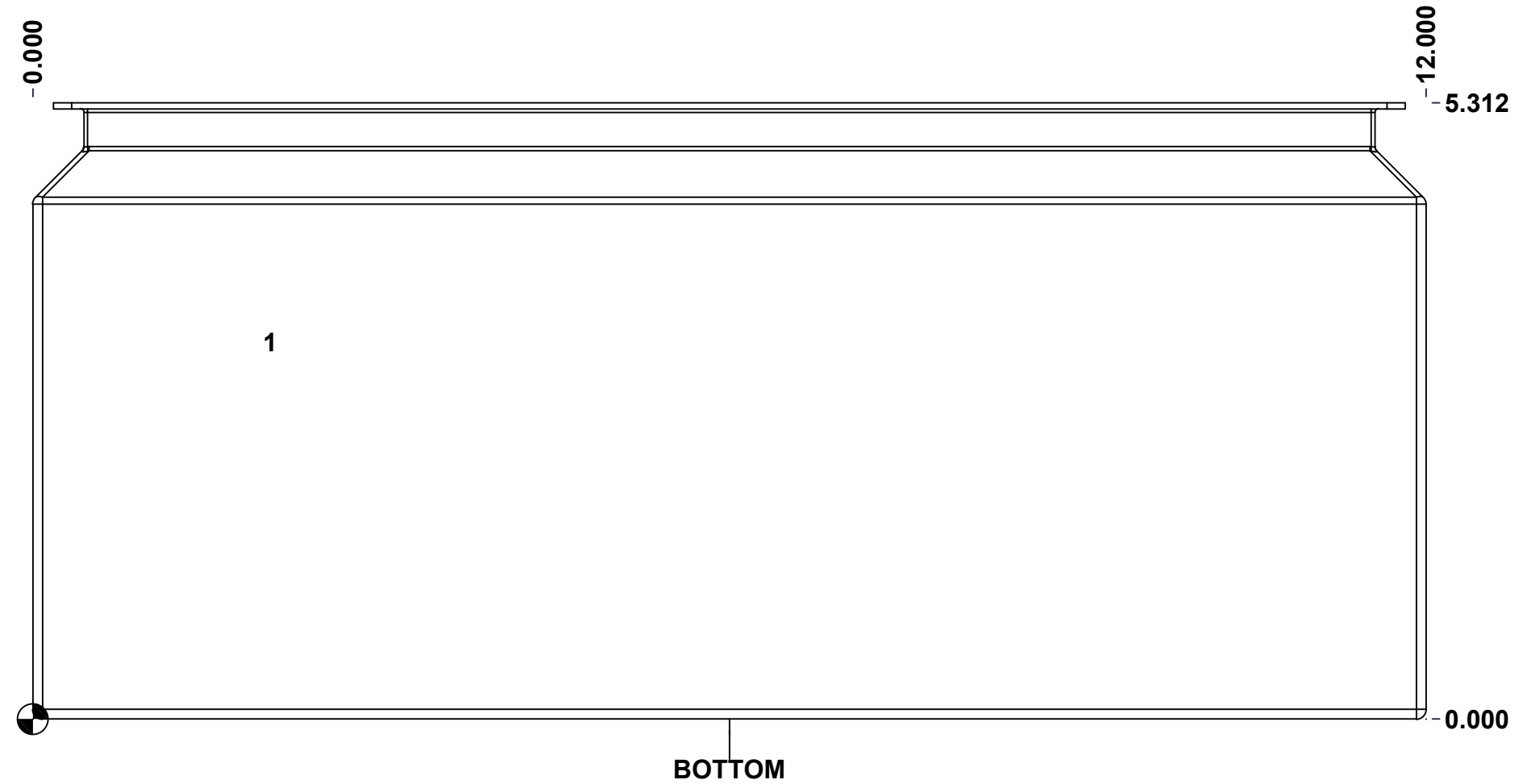
Part Number / Numéro Pièce: 5412ESCHV121205B	Rev. 0	3 / 7
--	--------	-------

SEE BILL OF MATERIAL ON LAST PAGE

This drawing is confidential and must not be reproduced or used without the consent of EXM

Ce dessin est confidentiel et ne doit pas être reproduit ou utilisé sans le consentement de EXM

STANDARD FEATURES ARE NOT LISTED IN THIS HOLE TABLE			
HOLE TABLE - BOTTOM VIEW (CUSTOM FEATURE ONLY)			
CUT-OUT	XDIM	YDIM	DESCRIPTION
1	2.000	3.250	LABEL_EXM



	Description	Status	
	5412ESCHV 12" x 12" x 5" Body	(NULL)	
	Part Number Numéro Pièce	Rev.	
	5412ESCHV121205B	0	4/7

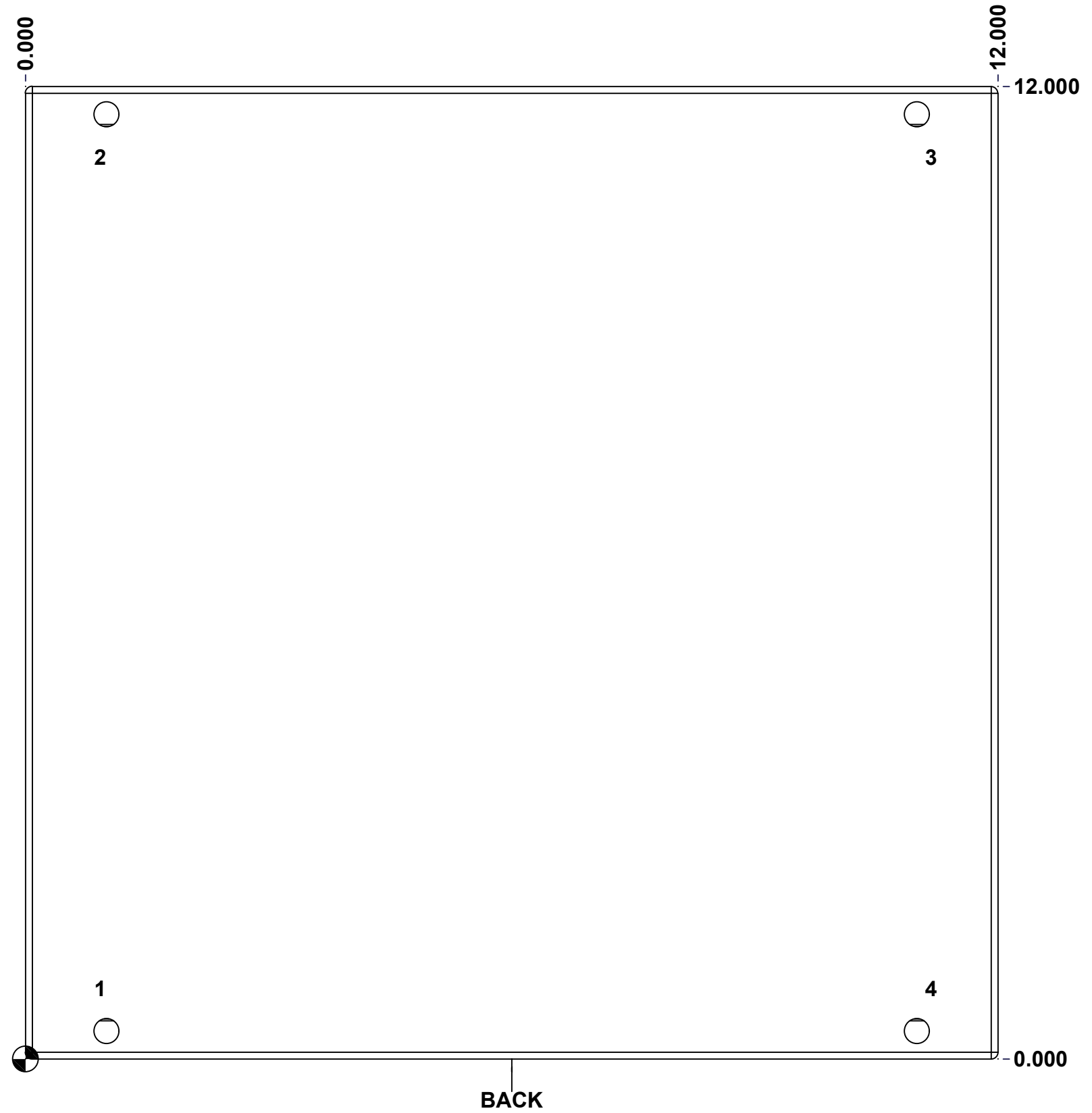
This drawing is confidential and must not be reproduced or used without the consent of EXM

Ce dessin est confidentiel et ne doit pas être reproduit ou utilisé sans le consentement de EXM

STANDARD FEATURES ARE NOT LISTED IN THIS HOLE TABLE

HOLE TABLE - BACK VIEW (CUSTOM FEATURE ONLY)

CUT-OUT	XDIM	YDIM	DESCRIPTION
1	0.875	0.875	IP STANDOFF M6 x 10mm (Inside)
2	0.875	11.125	IP STANDOFF M6 x 10mm (Inside)
3	11.125	11.125	IP STANDOFF M6 x 10mm (Inside)
4	11.125	0.875	IP STANDOFF M6 x 10mm (Inside)



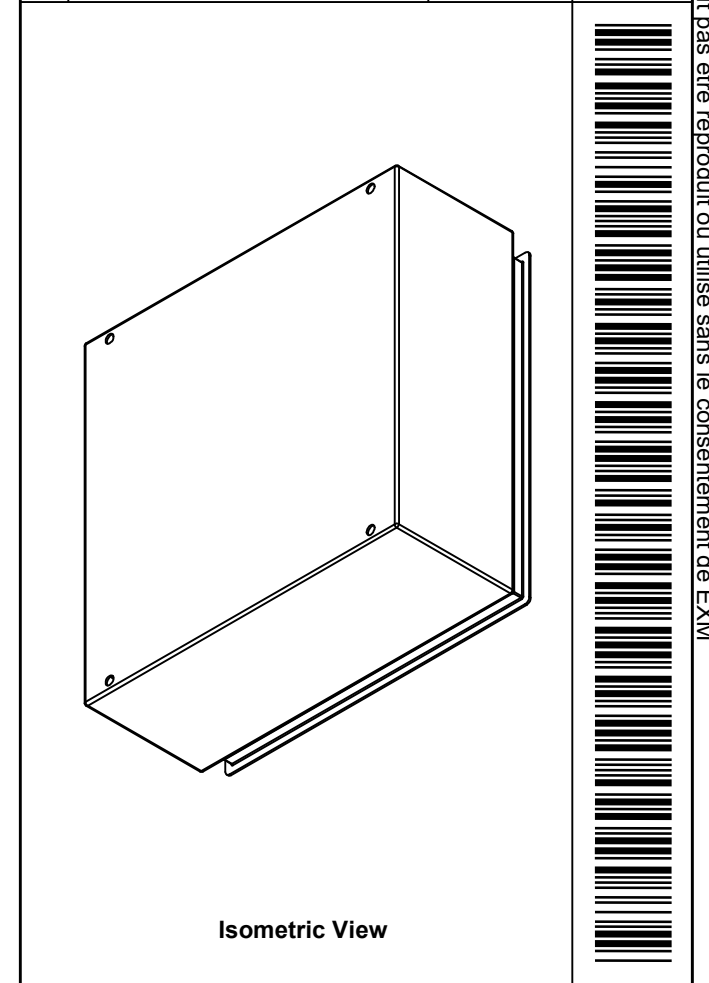
BACK


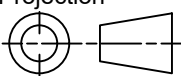
	Description	Status	
	5412ESCHV 12" x 12" x 5" Body	(NULL)	
	Part Number Numéro Pièce	Rev.	5
	5412ESCHV121205B	0	7

This drawing is confidential and must not be reproduced or used without the consent of EXM

Ce dessin est confidentiel et ne doit pas être reproduit ou utilisé sans le consentement de EXM

No.	Revisions	Date	By/Par

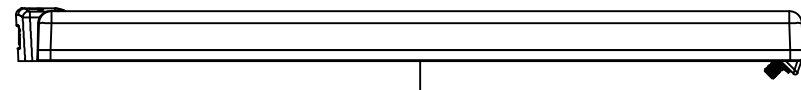


 Tél: (450) 979-4373 Fax: (450) 979-4626 www.exmweb.com		Flatness Aplatissement Max 3.0mm Projection 
Customer Client	Date	
Drawn By Dessiné Par	BoxCad: BoxCad	Date 16-Jun-14
Material Matière	16 Ga Cold Rolled A1008 CS Type B (1.4mm)	
Color Couleur	Asa-61 Grey	Finish Fini Smooth
Description		Detail Rev.
5412ESCHV 12" x 12" x 5" Body		
Part Number Numéro Pièce	Rev.	6
5412ESCHV121205B	0	7

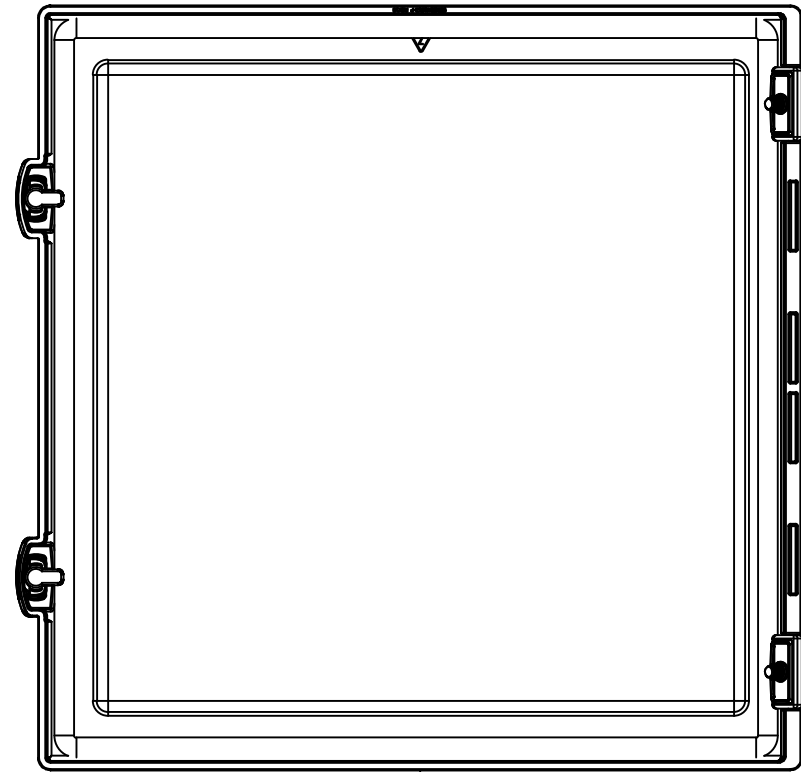
Qty	Part Number	Rev	Description
1	STK-S-00100	0	3.5" x 2" Silver Milar Flexcon Sticker
1	STK-P-02400S	0	Powder Paint (Asa-61 Grey / Smooth)
1	5412ESCHV121205B-P	0	5412ESCHV 12" x 12" x 5" Body Part
4	STK-Q-08350	5	Standoff M6 x 10mm
2	STK-A-70469	6	5412 ESSMCH - Stainless Steel 316 Body Catch Assembly
2	STK-Q-08100	1	M5 Nylon Insert Lock Nut
Parts List			

This drawing is confidential and must not be reproduced or used without the consent of EXM

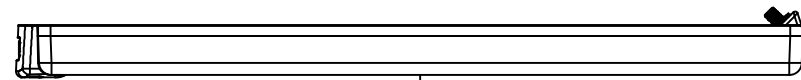
Ce dessin est confidentiel et ne doit pas être reproduit ou utilisé sans le consentement de EXM



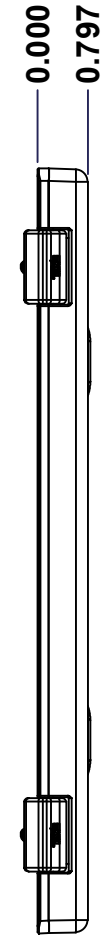
TOP



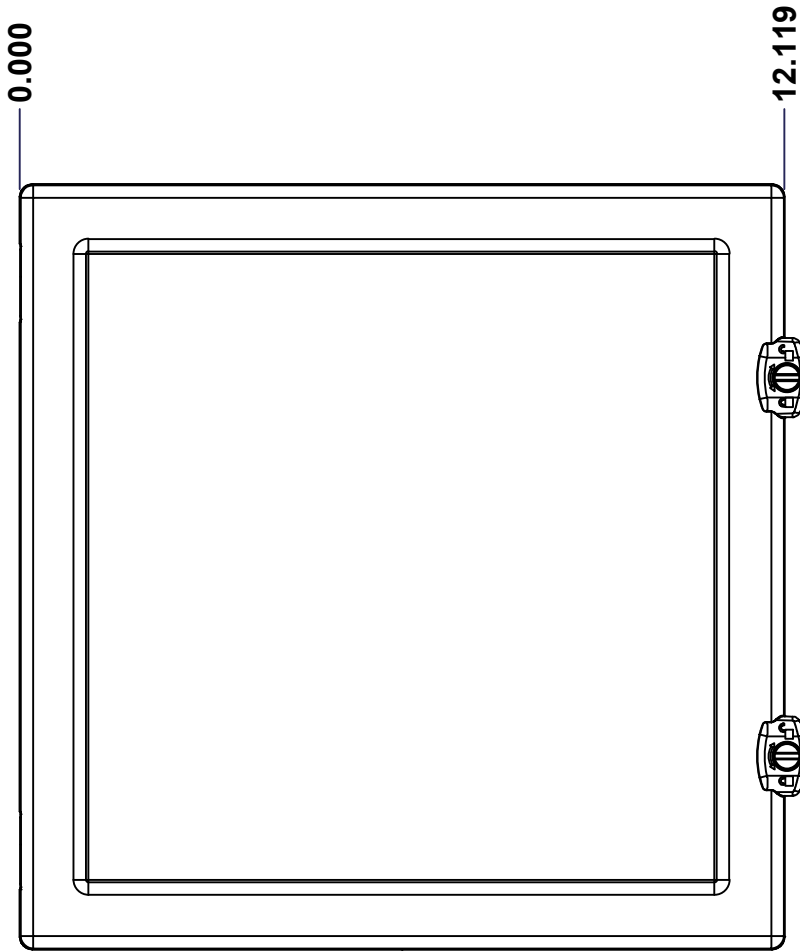
BACK



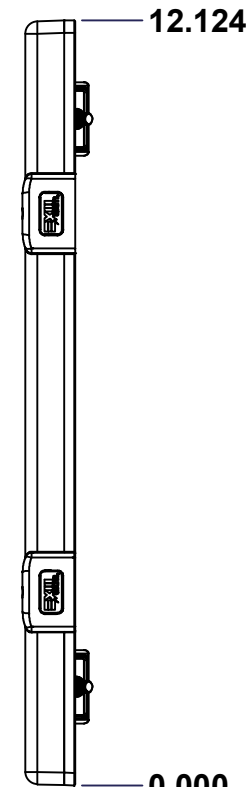
BOTTOM



LEFT

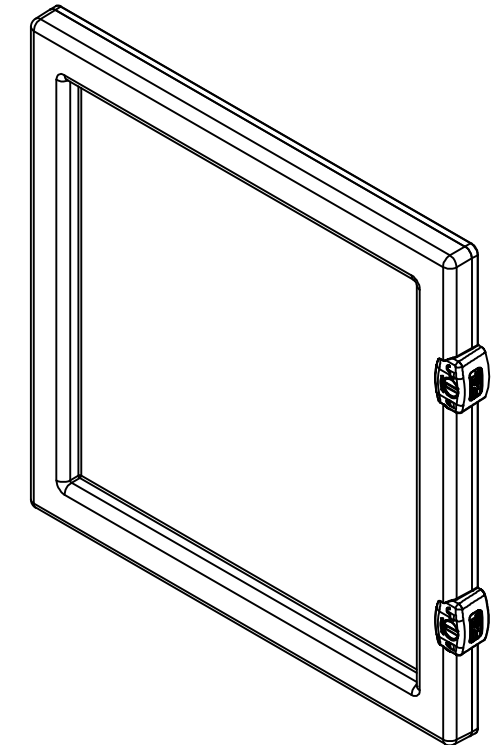


FRONT



RIGHT

No.	Revisions	Date	By/Par



Isometric View



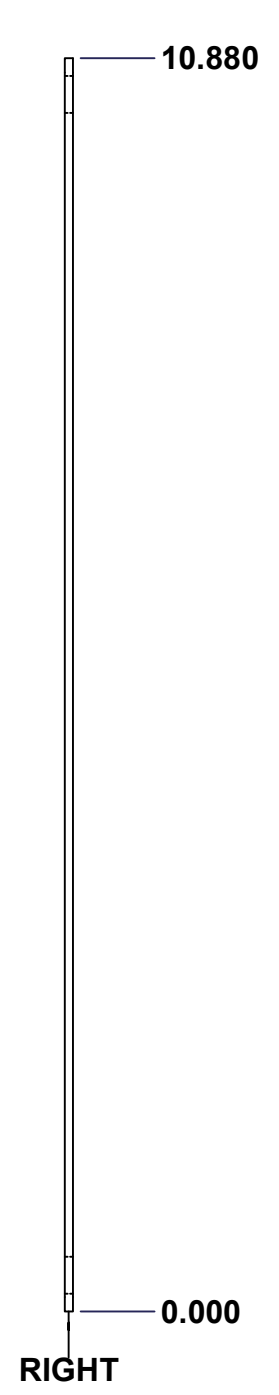
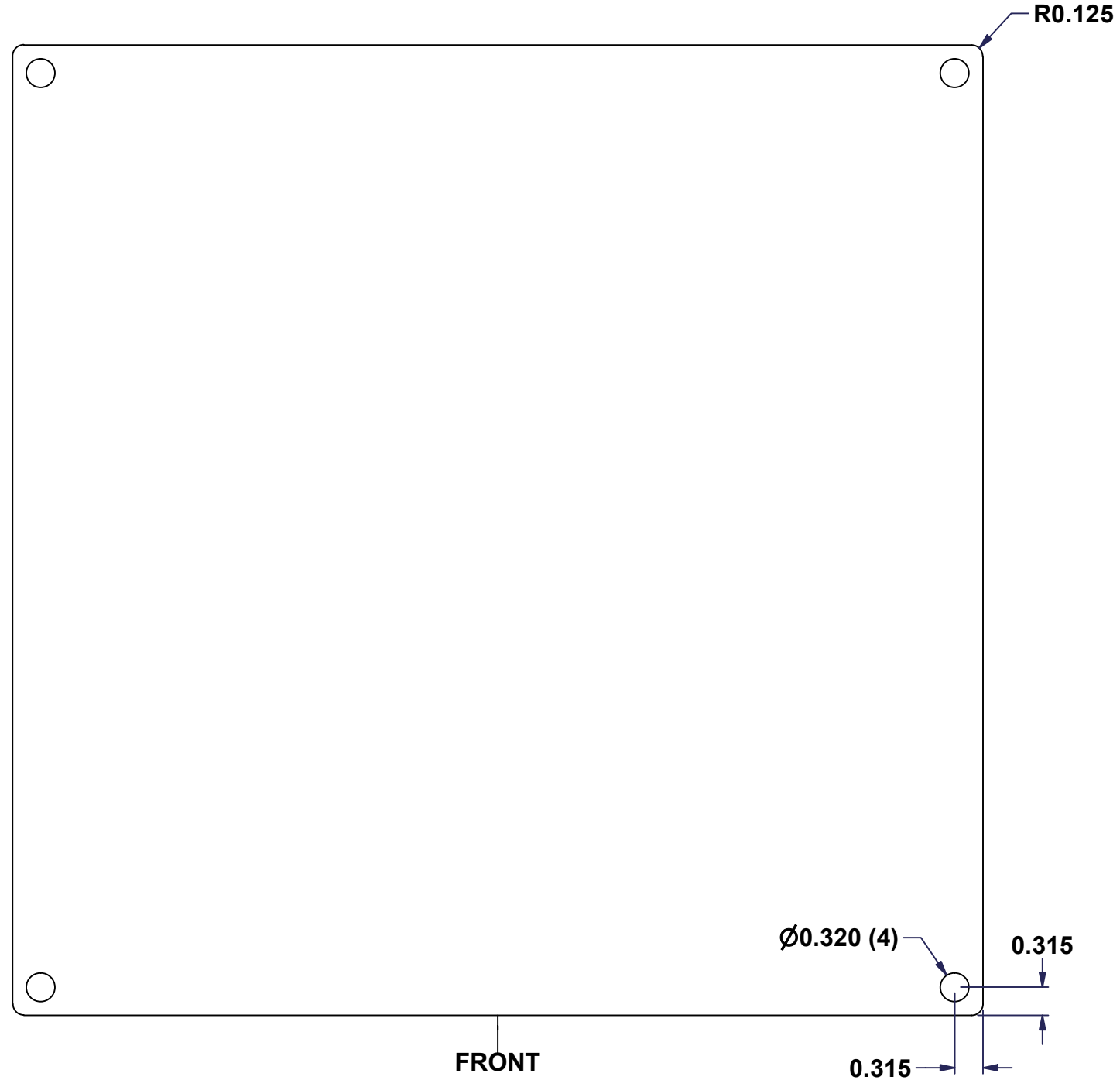
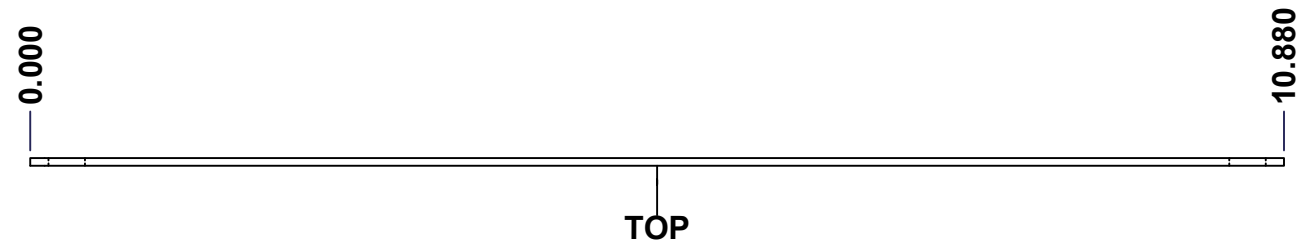
	Tél: (450) 979-4373 Fax: (450) 979-4626 www.exmweb.com	Flatness Aplatissement Max 3.0mm Projection
	Customer Client Drawn By / Dessiné Par: BoxCad: BoxCad Material / Matière: Bayers Makrolon 6455 Color / Couleur: Clear Tint Code 1045 Finish / Fini: Smooth	Date: 16-Jun-14 Detail Rev.: 7
Description: 5412ESCHV 12" x 12" Cover		Part Number / Numéro Pièce: 5412ESCHV121205C Rev.: 0

Qty	Part Number	Rev	Description
2	STK-Q-70740	1	Stainless Steel Spring Clip
2	STK-Q-70720	13	5412 ESCH External Lock Slotted Insert
4	STK-Q-33070	3	880 CEW - Long Insert
1	5412ESCHV121205G	0	5412ESCHV 12" x 12" Gasket
1	880CEW1212-P	10	880 CEW1212 - Clear Cover Part
2	STK-A-33033	4	5412 ESMCH Hinge

Parts List

This drawing is confidential and must not be reproduced or used without the consent of EXM

Ce dessin est confidentiel et ne doit pas être reproduit ou utilisé sans le consentement de EXM



No.	Revisions	Date	By/Par

Isometric View

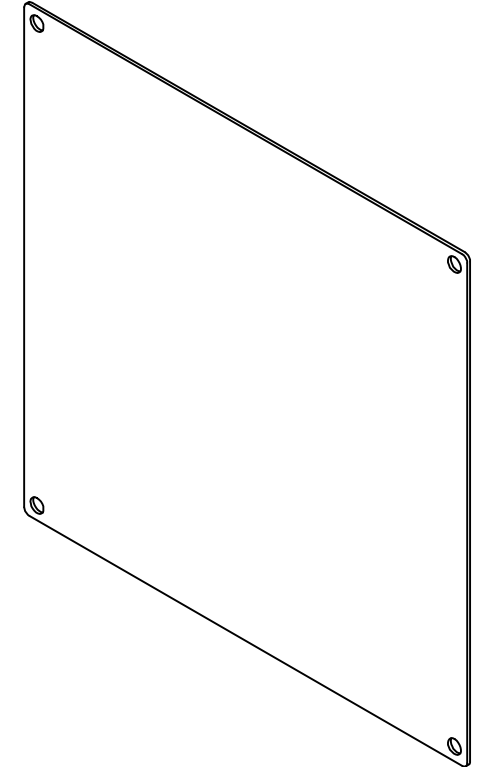
Tél: (450) 979-4373 Fax: (450) 979-4626 www.exmweb.com		Flatness Aplatissement			
		Max 3.0mm			
Projection					
Customer Client		Date			
Drawn By Dessiné Par BoxCad		Date 23-Jan-07			
Material Matière		14 Ga Galvanized (1.7mm)			
Color Couleur Unpainted		Finish Fini Galvanized			
Description 880 SP1212G - Inner Panel			Detail Rev.		
Part Number Numéro Pièce 880 SP1212G		Rev. 0	<table border="1" style="width: 100%;"> <tr><td style="width: 50%;">1</td><td style="width: 50%;">2</td></tr> </table>	1	2
1	2				

SEE BILL OF MATERIAL ON LAST PAGE

This drawing is confidential and must not be reproduced or used without the consent of EXM

Ce dessin est confidentiel et ne doit pas être reproduit ou utilisé sans le consentement de EXM

No.	Revisions	Date	By/Par



Isometric View



Tél: (450) 979-4373
 Fax: (450) 979-4626
 www.exmweb.com

Flatness
Aplatissement
Max 3.0mm
Projection

Customer Client	Date
Drawn By / Dessiné Par: BoxCad	Date: 23-Jan-07
Material / Matière: 14 Ga Galvanized (1.7mm)	
Color / Couleur: Unpainted	Finish / Fini: Galvanized
Description: 880 SP1212G - Inner Panel	Detail Rev.
Part Number / Numéro Pièce: 880 SP1212G	Rev. 0

Qty	Part Number	Rev	Description
1	880 SP1212G-P	0	880 SP1212G - Inner Panel Part
Parts List			