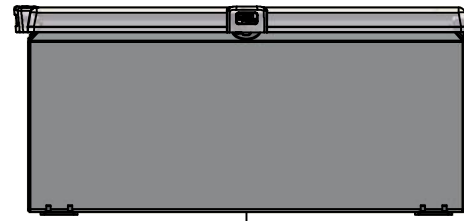
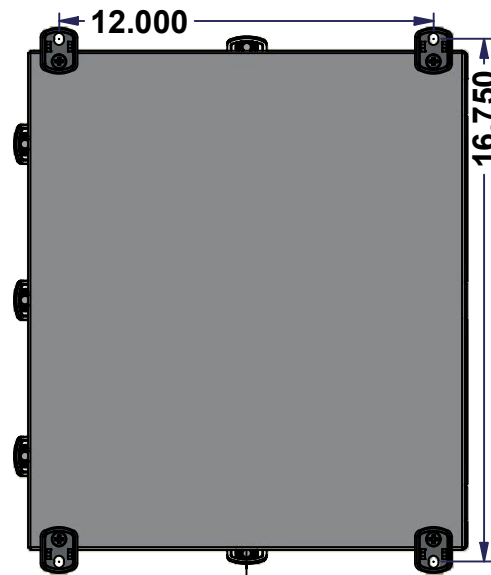


This drawing is confidential and must not be reproduced or used without the consent of EXM

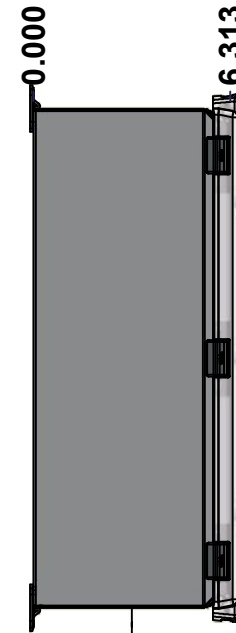
Ce dessin est confidentiel et ne doit pas être reproduit ou utilisé sans le consentement de EXM



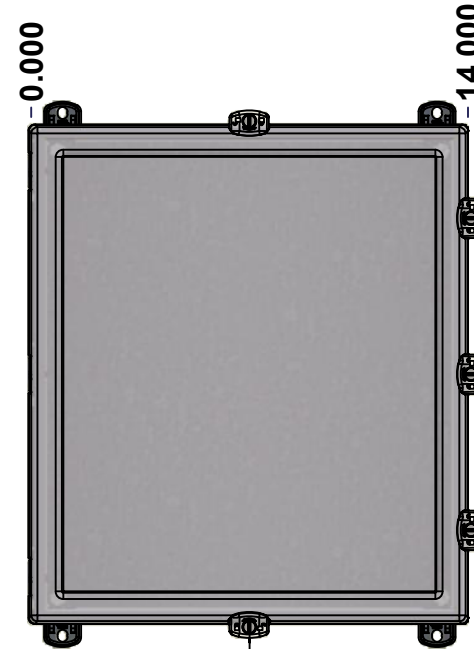
TOP



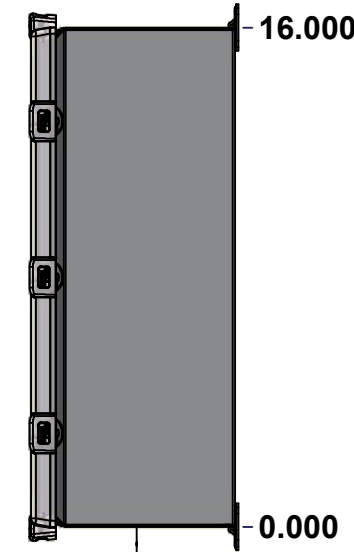
BACK



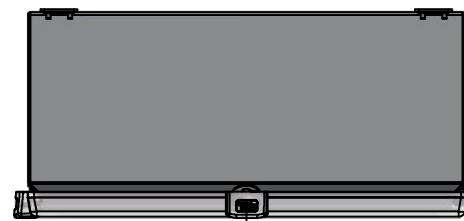
LEFT



FRONT

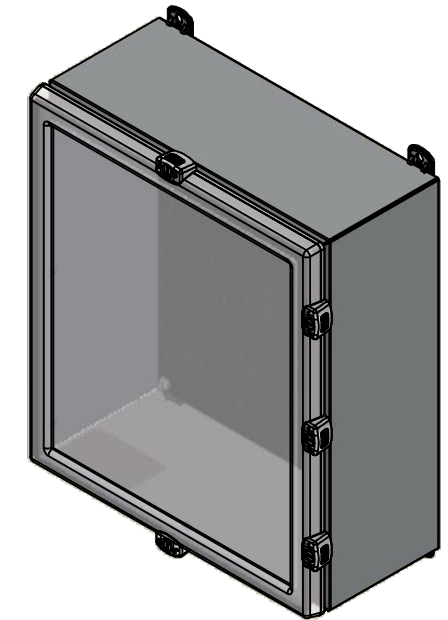


RIGHT



BOTTOM

| No. | Revisions | Date | By/Par |
|-----|-----------|------|--------|
|     |           |      |        |
|     |           |      |        |
|     |           |      |        |
|     |           |      |        |



Isometric View

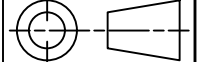


Tél: (450) 979-4373  
 Fax: (450) 979-4626  
[www.exmweb.com](http://www.exmweb.com)

Flatness  
Aplatissement

Max 3.0mm

Projection



|  |                 |
|--|-----------------|
| Customer<br>Client                     | Date            |
| Drawn By<br>Dessiné Par BoxCad: BoxCad | Date 11/29/2021 |

Material  
Matière 16 Ga Cold Rolled A1008 CS Type B (1.4mm)

Color  
Couleur Asa-61 Grey

Finish  
Fini Smooth

Description  
5412ESCHV 16" x 14" x 6" Assembly

Detail Rev.

|                             |          |   |
|-----------------------------|----------|---|
| Part Number<br>Numéro Pièce | Rev.     | 1 |
| <b>5412ESCHV161406</b>      | <b>0</b> | 7 |

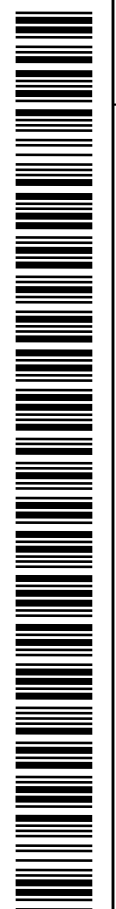
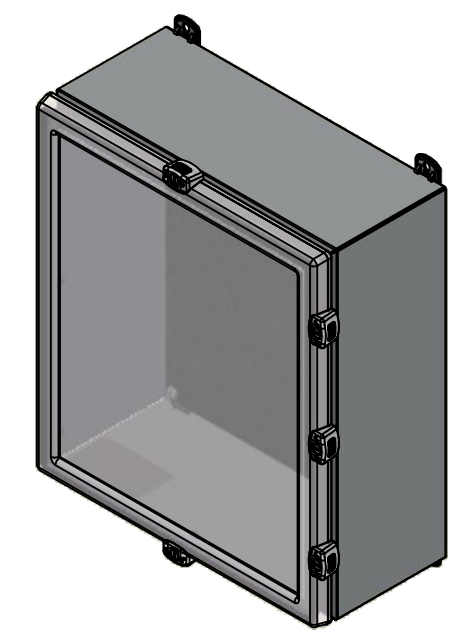
SEE BILL OF MATERIAL ON LAST PAGE

This drawing is confidential and must not be reproduced or used without the consent of EXM

Ce dessin est confidentiel et ne doit pas être reproduit ou utilisé sans le consentement de EXM

| NOTE |  |
|------|--|
| ITEM | DESCRIPTION                                    |
| 1    | NEMA 4/12 Enclosure                            |
| 2    | W/O Standard ground standoffs on box and cover |
| 3    | W/O Standard door stiffener                    |
| 4    | C/W Standard inner panel (Included)            |
| 5    | C/W Standard inner panel mounting standoffs    |

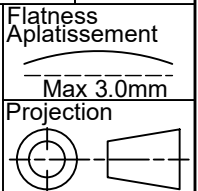
| No. | Revisions | Date | By/Par |
|-----|-----------|------|--------|
|     |           |      |        |
|     |           |      |        |
|     |           |      |        |
|     |           |      |        |
|     |           |      |        |
|     |           |      |        |



Isometric View



Tél: (450) 979-4373  
 Fax: (450) 979-4626  
[www.exmweb.com](http://www.exmweb.com)



|   |                  |
|---|------------------|
| Customer Client   | Date             |
| Drawn By / Dessiné Par: BoxCad: BoxCad                        | Date: 11/29/2021 |
| Material / Matière: 16 Ga Cold Rolled A1008 CS Type B (1.4mm) |                  |

|  |                       |
|--|-----------------------|
| Color / Couleur: Asa-61 Grey                       | Finish / Fini: Smooth |
| Description: 5412ESCHV 16" x 14" x 6" Assembly     | Detail Rev.           |
| Part Number / Numéro Pièce: <b>5412ESCHV161406</b> | Rev. 0                |

| PACKING         |     |  |
|-----------------|-----|--|
| ITEM            | QTY | DESCRIPTION                                |
| STK-E-04328     | 1   | CARTON 5412 ESCH161406                     |
| Plastic bag     | 1   | To protect cover surface and inside gasket |
| Packaging label | 1   | White label with product number            |
| STK-S-01100     | 1   | ESCH EXM SQUARE STICKER                    |

| Qty | Part Number      | Rev | Description                   |
|-----|------------------|-----|-------------------------------|
| 1   | 5412ESCHV161406C | 0   | 5412ESCHV 16" x 14" Cover     |
| 1   | 880 SP1614G      | 0   | 880 SP1614G - Inner Panel     |
| 1   | STK-K-02940      | 2   | 5412 ESCHB Accessory Kit      |
| 1   | 5412ESCHV161406B | 0   | 5412ESCHV 16" x 14" x 6" Body |
| 3   | STK-Q-08100      | 1   | M5 Nylon Insert Lock Nut      |
| 3   | STK-Q-10249      | 0   | M5 Sealing Washer             |

Parts List

This drawing is confidential and must not be reproduced or used without the consent of EXM

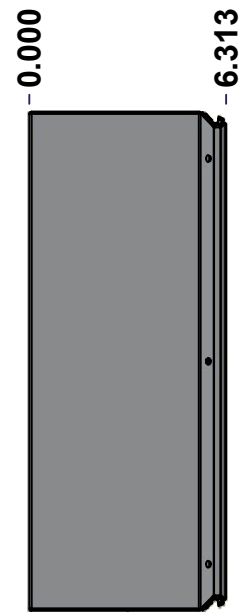
Ce dessin est confidentiel et ne doit pas être reproduit ou utilisé sans le consentement de EXM



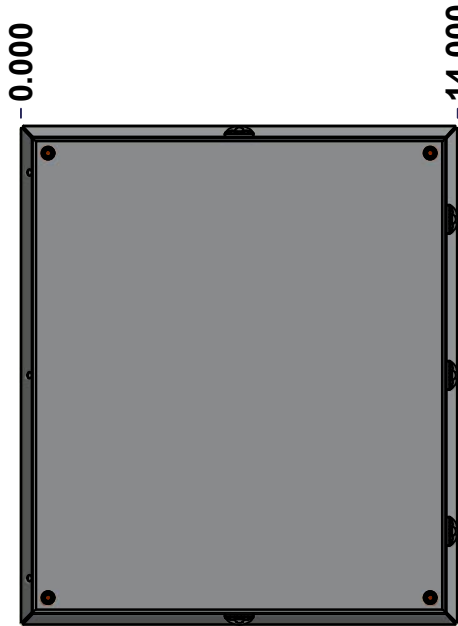
TOP



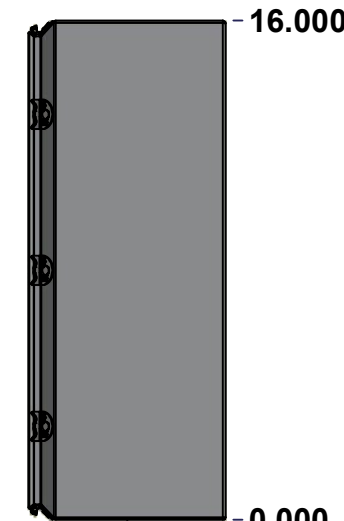
BACK



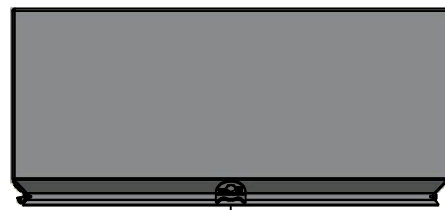
LEFT



FRONT

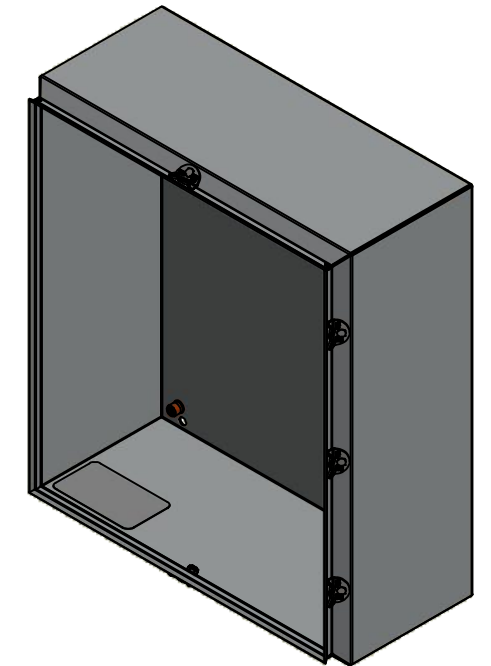


RIGHT



BOTTOM

| No. | Revisions | Date | By/Par |
|-----|-----------|------|--------|
|     |           |      |        |
|     |           |      |        |
|     |           |      |        |
|     |           |      |        |



Isometric View



Tél: (450) 979-4373  
 Fax: (450) 979-4626  
[www.exmweb.com](http://www.exmweb.com)

Flatness  
 Aplatissement  
 Max 3.0mm  
 Projection

|   |                       |
|---|-----------------------|
| Customer Client   | Date                  |
| Drawn By / Dessiné Par: BoxCad: BoxCad                        | Date: 11/29/2021      |
| Material / Matière: 16 Ga Cold Rolled A1008 CS Type B (1.4mm) |                       |
| Color / Couleur: Asa-61 Grey                                  | Finish / Fini: Smooth |
| Description: 5412ESCHV 16" x 14" x 6" Body                    | Detail Rev.           |
| Part Number / Numéro Pièce: 5412ESCHV161406B                  | Rev. 0                |

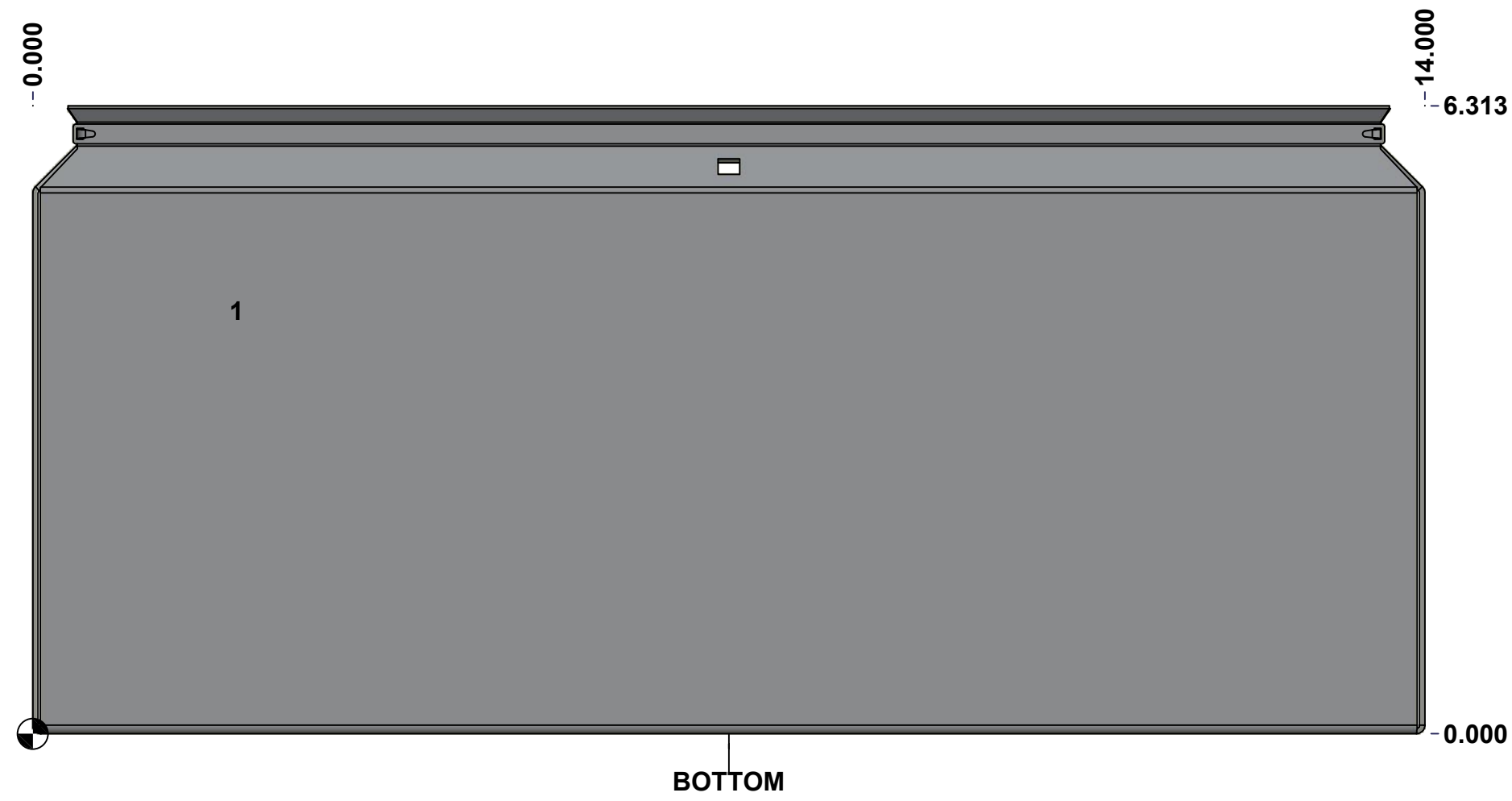
SEE BILL OF MATERIAL ON LAST PAGE

3  
7

This drawing is confidential and must not be reproduced or used without the consent of EXM

Ce dessin est confidentiel et ne doit pas être reproduit ou utilisé sans le consentement de EXM

| <b>STANDARD FEATURES ARE NOT LISTED IN THIS HOLE TABLE</b> |       |       |             |
|--|-------|-------|-------------|
| <b>HOLE TABLE - BOTTOM VIEW (CUSTOM FEATURE ONLY)</b>      |       |       |             |
| CUT-OUT  | XDIM  | YDIM  | DESCRIPTION |
| 1  | 2.000 | 4.250 | LABEL_EXM   |



|                             |                               |          |        |
|-----------------------------|-------------------------------|----------|--------|
|                             | Description                   |          | Status |
|                             | 5412ESCHV 16" x 14" x 6" Body |          | (NULL) |
| Part Number<br>Numéro Pièce |                               | Rev.     |        |
| <b>5412ESCHV161406B</b>     |                               | <b>0</b> | 4<br>7 |

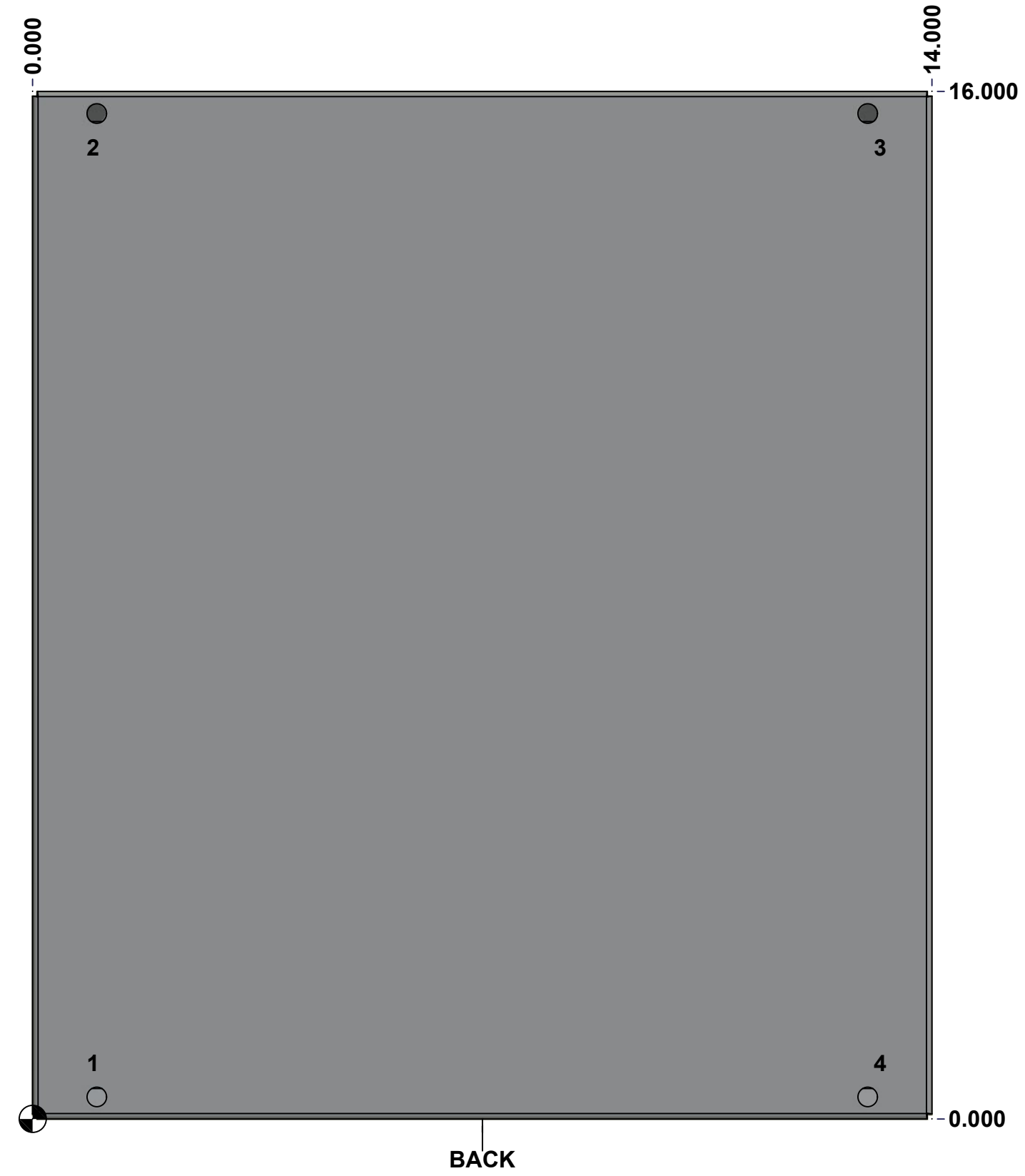
This drawing is confidential and must not be reproduced or used without the consent of EXM

Ce dessin est confidentiel et ne doit pas être reproduit ou utilisé sans le consentement de EXM

**STANDARD FEATURES ARE NOT LISTED IN THIS HOLE TABLE**

**HOLE TABLE - BACK VIEW (CUSTOM FEATURE ONLY)**

| CUT-OUT | XDIM   | YDIM   | DESCRIPTION                    |
|---------|--------|--------|--------------------------------|
| 1       | 0.875  | 0.875  | IP STANDOFF M6 x 10mm (Inside) |
| 2       | 0.875  | 15.125 | IP STANDOFF M6 x 10mm (Inside) |
| 3       | 13.125 | 15.125 | IP STANDOFF M6 x 10mm (Inside) |
| 4       | 13.125 | 0.875  | IP STANDOFF M6 x 10mm (Inside) |

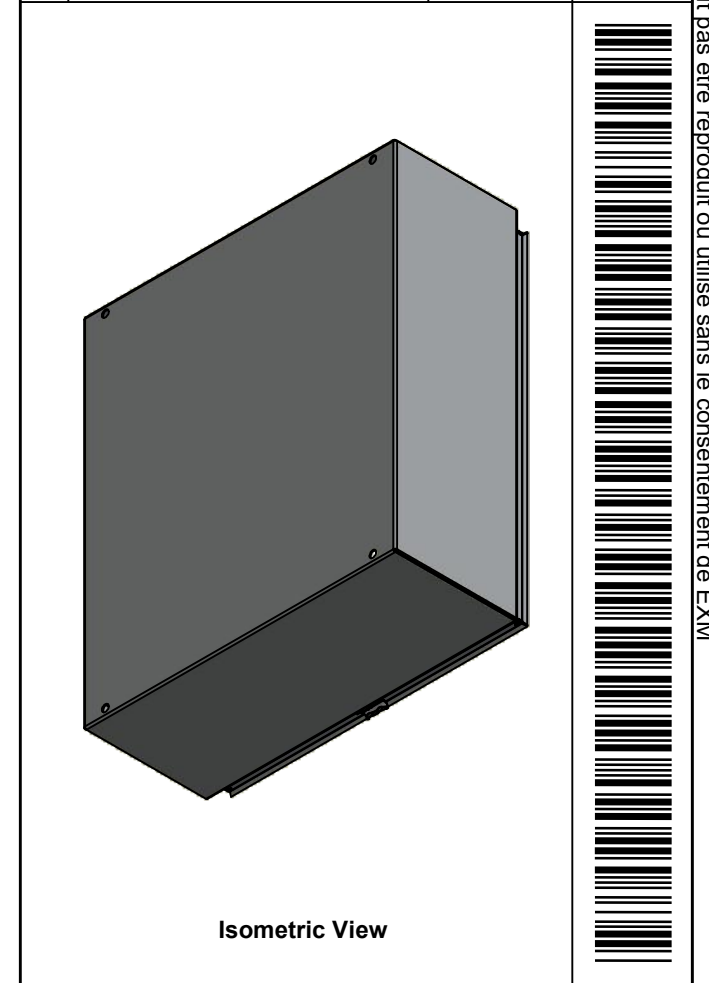


|                             |                               |          |        |
|-----------------------------|-------------------------------|----------|--------|
|                             | Description                   |          | Status |
|                             | 5412ESCHV 16" x 14" x 6" Body |          | (NULL) |
| Part Number<br>Numéro Pièce |                               | Rev.     | 5<br>7 |
| <b>5412ESCHV161406B</b>     |                               | <b>0</b> |        |


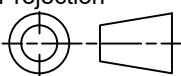
This drawing is confidential and must not be reproduced or used without the consent of EXM

Ce dessin est confidentiel et ne doit pas être reproduit ou utilisé sans le consentement de EXM

| No. | Revisions | Date | By/Par |
|-----|-----------|------|--------|
|     |           |      |        |
|     |           |      |        |
|     |           |      |        |
|     |           |      |        |
|     |           |      |        |



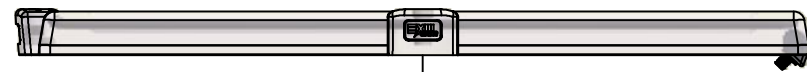
Isometric View

|  |                              |   |
|--|------------------------------|---|
|  Tél: (450) 979-4373<br>Fax: (450) 979-4626<br><a href="http://www.exmweb.com">www.exmweb.com</a> |                              | Flatness<br>Aplatissement<br>Max 3.0mm<br>Projection<br> |
| Customer Client  | Date                         |   |
| Drawn By / Dessiné Par: BoxCad: BoxCad   | Date: 11/29/2021             |   |
| Material / Matière: 16 Ga Cold Rolled A1008 CS Type B (1.4mm)  | Color / Couleur: Asa-61 Grey |   |
| Description: 5412ESCHV 16" x 14" x 6" Body   |                              | Finish / Fini: Smooth   |
| Part Number / Numéro Pièce: <b>5412ESCHV161406B</b>  | Rev.:                        | 6   |
|  |                              | 7   |

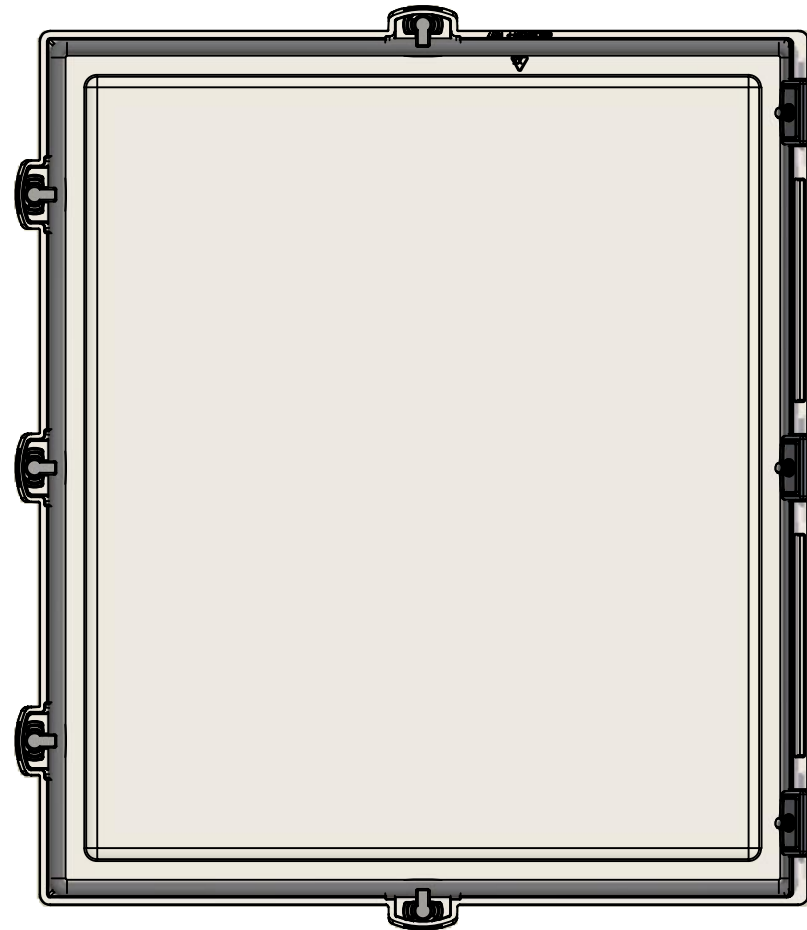
| Qty        | Part Number        | Rev | Description   |
|------------|--------------------|-----|---|
| 1          | STK-S-00100        | 0   | 3.5" x 2" Silver Milar Flexcon Sticker                |
| 1          | STK-P-02400S       | 0   | Powder Paint (Asa-61 Grey / Smooth)                   |
| 1          | 5412ESCHV161406B-P | 0   | 5412ESCHV 16" x 14" x 6" Body Part                    |
| 4          | STK-Q-08350        | 5   | Standoff M6 x 10mm                                    |
| 5          | STK-A-70469        | 6   | 5412 ESSMCH - Stainless Steel 316 Body Catch Assembly |
| 5          | STK-Q-08100        | 1   | M5 Nylon Insert Lock Nut                              |
| Parts List |                    |     |   |

This drawing is confidential and must not be reproduced or used without the consent of EXM

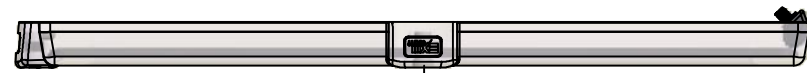
Ce dessin est confidentiel et ne doit pas être reproduit ou utilisé sans le consentement de EXM



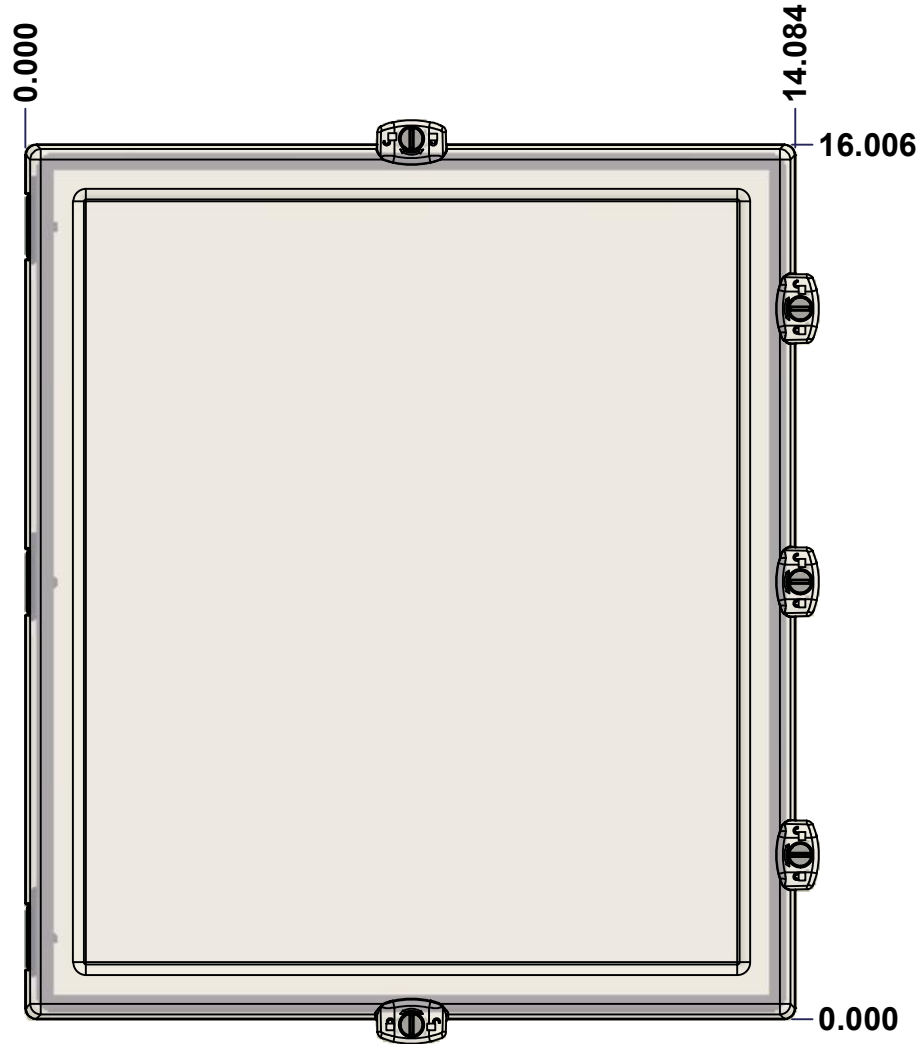
TOP



BACK



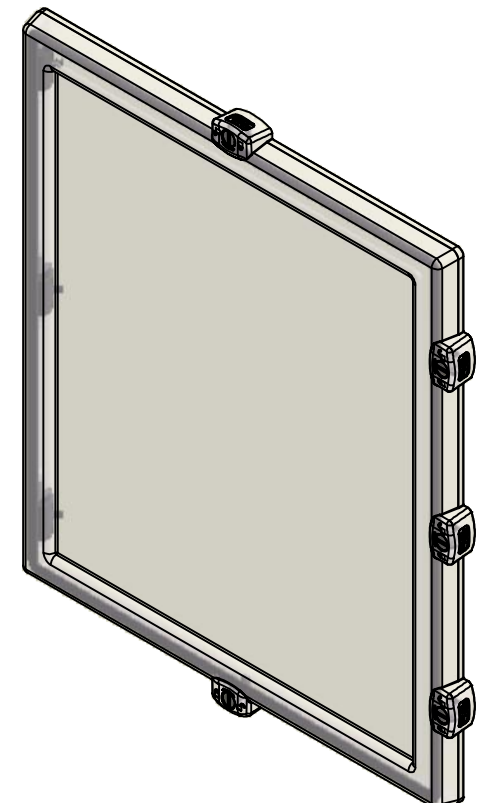
BOTTOM



FRONT



| No. | Revisions | Date | By/Par |
|-----|-----------|------|--------|
|     |           |      |        |
|     |           |      |        |
|     |           |      |        |
|     |           |      |        |



Isometric View



Tél: (450) 979-4373  
 Fax: (450) 979-4626  
[www.exmweb.com](http://www.exmweb.com)

Flatness  
Aplatissement  
Max 3.0mm  
Projection

Customer Client  
 Drawn By Dessiné Par BoxCad: BoxCad  
 Material Matière Bayers Makrolon 6455  
 Date 11/29/2021

Color Couleur Clear Tint Code 1045  
 Finish Fini Smooth

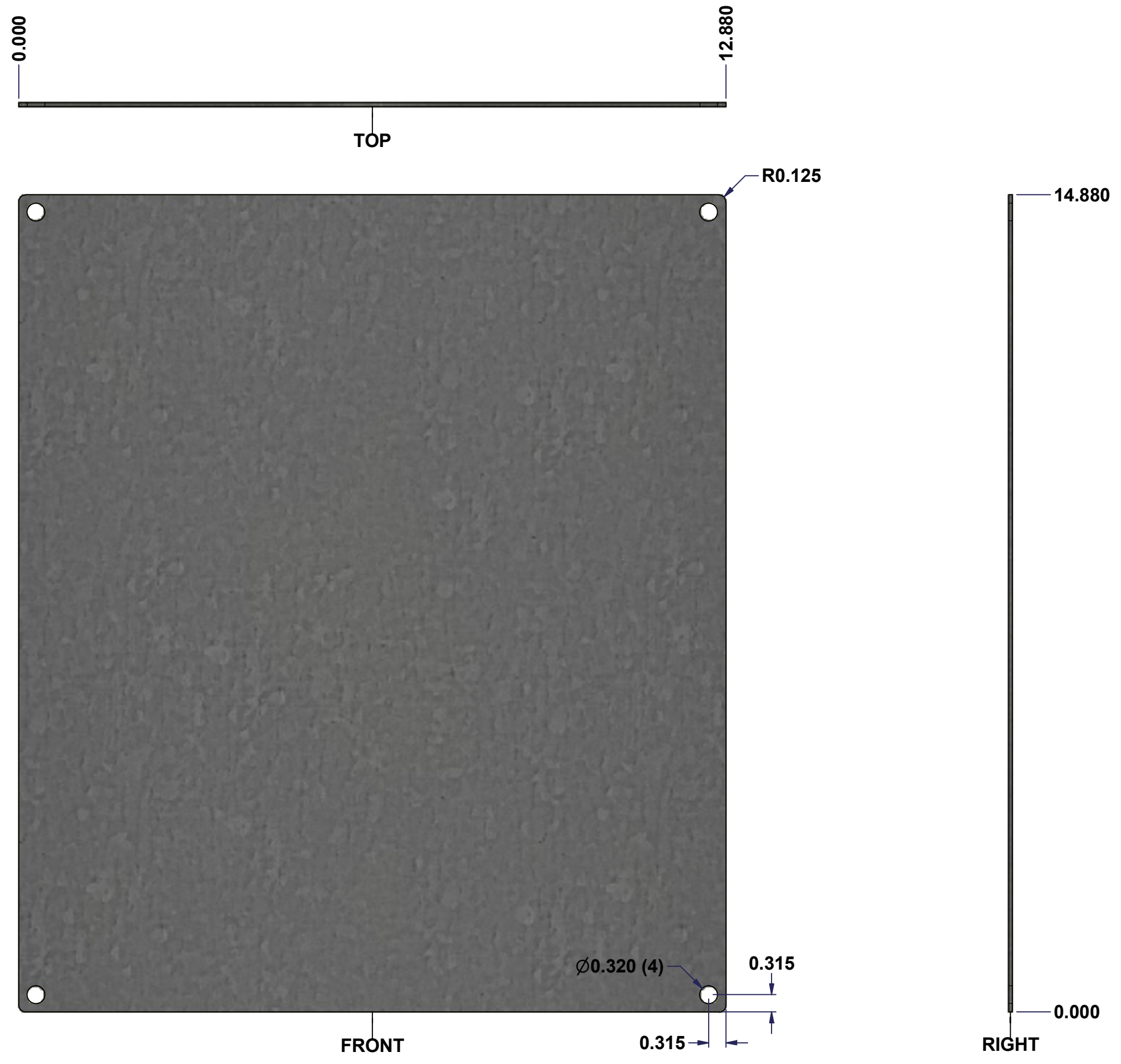
Description  
 5412ESCHV 16" x 14" Cover  
 Detail Rev.

Part Number Numéro Pièce  
**5412ESCHV161406C**  
 Rev. 7  
 0 7

| Qty        | Part Number      | Rev | Description                                |
|------------|------------------|-----|--|
| 1          | 5412ESCHV161406G | 0   | 5412ESCHV 16" x 14" Gasket                 |
| 1          | 880CEW1614-P     | 1   | 880 CEW1614 Clear Polycarbonate Window     |
| 5          | STK-Q-70740      | 1   | Stainless Steel Spring Clip                |
| 5          | STK-Q-70720      | 9   | 5412 ESCH 1/4 Turn Lock - Insert (Slotted) |
| 3          | STK-A-33033      | 4   | 5412 ESMCH Hinge                           |
| Parts List |                  |     |  |

This drawing is confidential and must not be reproduced or used without the consent of EXM

Ce dessin est confidentiel et ne doit pas être reproduit ou utilisé sans le consentement de EXM



| No. | Revisions | Date | By/Par |
|-----|-----------|------|--------|
|     |           |      |        |
|     |           |      |        |
|     |           |      |        |
|     |           |      |        |
|     |           |      |        |

**Isometric View**

|  |  |
|--|--|
| Tél: (450) 979-4373<br>Fax: (450) 979-4626<br>www.exmweb.com | Flatness<br>Aplatissement<br>Max 3.0mm |
|  | Projection<br>                         |
| Customer Client  | Date                                   |
| Drawn By / Dessiné Par: BoxCad                               | Date: 23-Jan-07                        |
| Material / Matière: 14 Ga Galvanized (1.7mm)                 |  |
| Color / Couleur: Unpainted                                   | Finish / Fini: Galvanized              |
| Description: 880 SP1614G - Inner Panel                       |  |
| Detail Rev.  |  |
| Part Number / Numéro Pièce: 880 SP1614G                      | Rev. 1                                 |
|  | 2                                      |

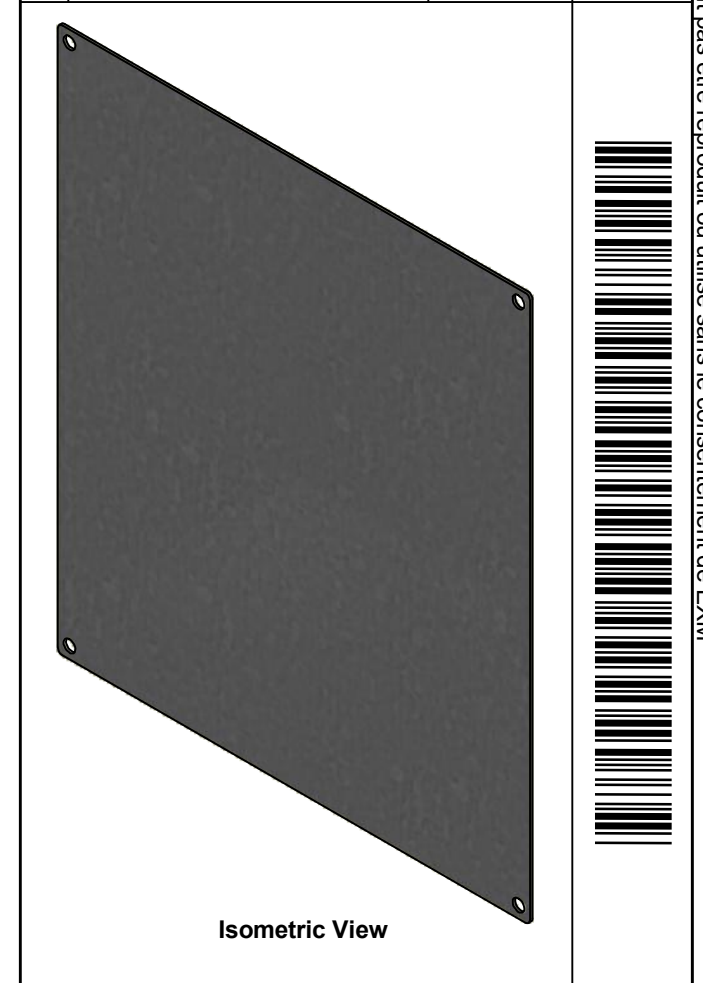
SEE BILL OF MATERIAL ON LAST PAGE




This drawing is confidential and must not be reproduced or used without the consent of EXM

Ce dessin est confidentiel et ne doit pas être reproduit ou utilisé sans le consentement de EXM

| No. | Revisions | Date | By/Par |
|-----|-----------|------|--------|
|     |           |      |        |
|     |           |      |        |
|     |           |      |        |
|     |           |      |        |
|     |           |      |        |



|  |                           |  |
|--|---------------------------|--|
|  Tél: (450) 979-4373<br>Fax: (450) 979-4626<br>www.exmweb.com |                           | Flatness<br>Aplatissement<br>Max 3.0mm |
| Customer Client  |                           | Date                                   |
| Drawn By<br>Dessiné Par BoxCad   |                           | Date 23-Jan-07                         |
| Material<br>Matière 14 Ga Galvanized (1.7mm)   |                           |  |
| Color<br>Couleur Unpainted   | Finish<br>Fini Galvanized |  |
| Description<br>880 SP1614G - Inner Panel   |                           | Detail Rev.                            |
| Part Number<br>Numéro Pièce <b>880 SP1614G</b>   |                           | Rev. <b>0</b> / 2                      |

| Qty        | Part Number   | Rev | Description                    |
|------------|---------------|-----|--------------------------------|
| 1          | 880 SP1614G-P | 0   | 880 SP1614G - Inner Panel Part |
| Parts List |               |     |                                |