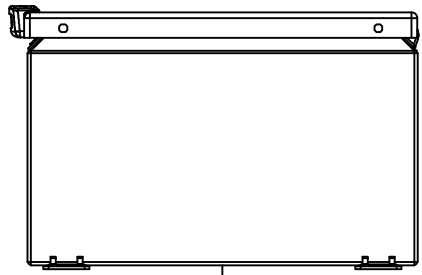
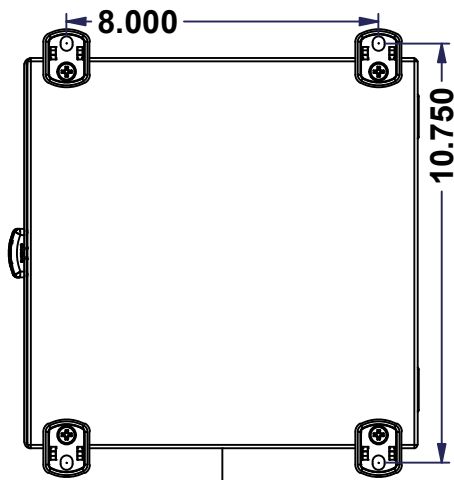


This drawing is confidential and must not be reproduced or used without the consent of EXM

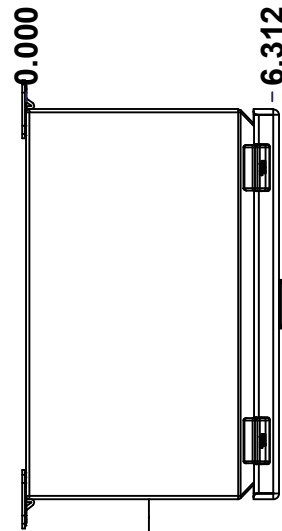
Ce dessin est confidentiel et ne doit pas être reproduit ou utilisé sans le consentement de EXM



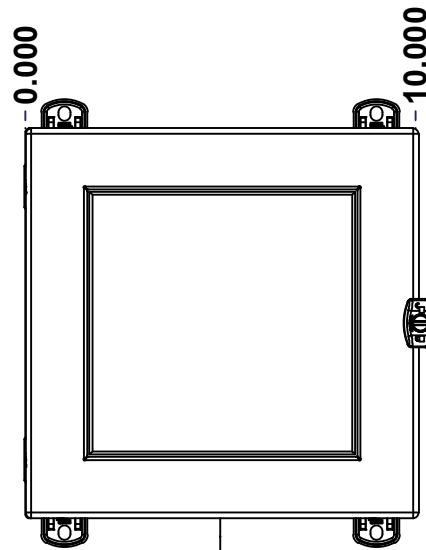
TOP



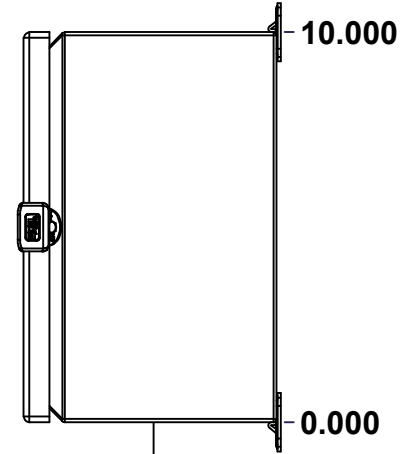
BACK



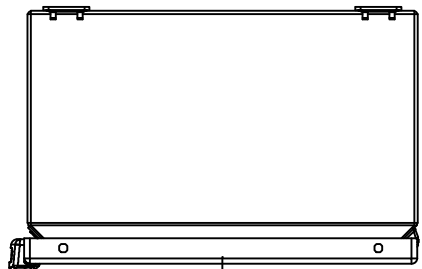
LEFT



FRONT

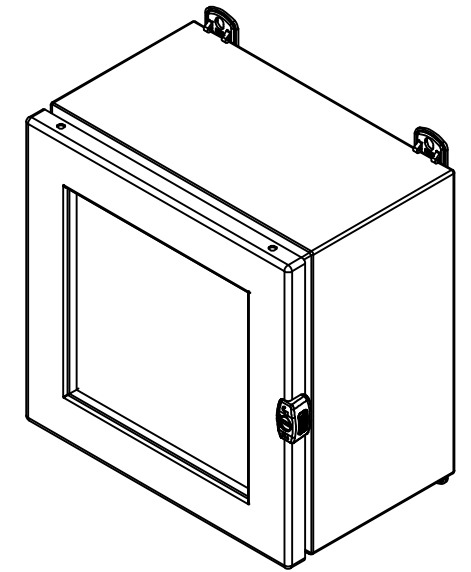


RIGHT




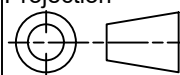
BOTTOM

| No. | Revisions | Date | By/Par |
|-----|-----------|------|--------|
|     |           |      |        |
|     |           |      |        |
|     |           |      |        |
|     |           |      |        |



Isometric View



|  |   |   |
|--|---|---|
|  Tél: (450) 979-4373<br>Fax: (450) 979-4626<br><a href="http://www.exmweb.com">www.exmweb.com</a> |   | Flatness<br>Aplatissement   |
|  |   | Max 3.0mm   |
| Projection   |   |  |
| Customer<br>Client   |   | Date  |
| Drawn By<br>Dessiné Par  | BoxCad: BoxCad                            | Date 10-Oct-14  |
| Material<br>Matière  | 16 Ga Cold Rolled A1008 CS Type B (1.4mm) |   |
| Color<br>Couleur   | Asa-61 Grey                               | Finish<br>Fini Smooth   |
| Description  |   | Detail Rev.   |
| 5412ESCHW 10" x 10" x 6" Assembly  |   |   |
| Part Number<br>Numéro Pièce  | Rev. 1                                    | 10  |
| SEE BILL OF MATERIAL ON LAST PAGE  |   | 0   |

SEE BILL OF MATERIAL ON LAST PAGE

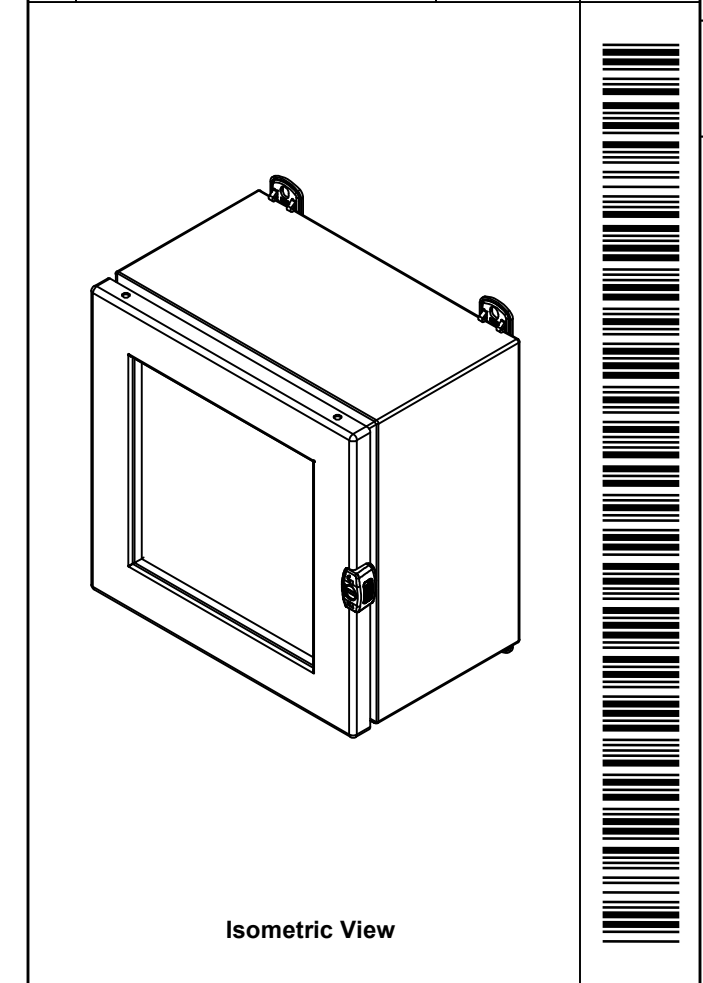
5412ESCHW101006


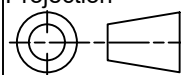
This drawing is confidential and must not be reproduced or used without the consent of EXM

Ce dessin est confidentiel et ne doit pas être reproduit ou utilisé sans le consentement de EXM

| NOTE |  |
|------|--|
| ITEM | DESCRIPTION                                    |
| 1    | NEMA 4/12 Enclosure                            |
| 2    | C/W Standard ground standoffs on box and cover |
| 3    | W/O Standard door stiffener                    |
| 4    | C/W Standard inner panel (Included)            |
| 5    | C/W Standard inner panel mounting standoffs    |

| No. | Revisions | Date | By/Par |
|-----|-----------|------|--------|
|     |           |      |        |
|     |           |      |        |
|     |           |      |        |
|     |           |      |        |
|     |           |      |        |



|  |   |
|--|---|
|  Tél: (450) 979-4373<br>Fax: (450) 979-4626<br><a href="http://www.exmweb.com">www.exmweb.com</a> | Flatness<br>Aplatissement<br>Max 3.0mm  |
|  | Projection<br> |
| Customer Client  | Date  |
| Drawn By<br>Dessiné Par BoxCad: BoxCad   | Date 10-Oct-14  |
| Material<br>Matière 16 Ga Cold Rolled A1008 CS Type B (1.4mm)  |   |

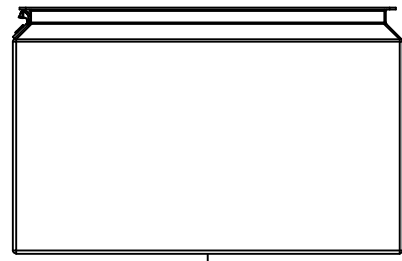
| PACKING         |     |  |
|-----------------|-----|--|
| ITEM            | QTY | DESCRIPTION                                |
| STK-E-04313     | 1   | CARTON 5412 ESCH101006                     |
| Plastic bag     | 1   | To protect cover surface and inside gasket |
| Packaging label | 1   | White label with product number            |
| STK-S-01100     | 1   | ESCH EXM SQUARE STICKER                    |

|            |                  |     |                               |
|------------|------------------|-----|-------------------------------|
| 1          | 5412ESCHW101006C | 0   | 5412ESCHW 10" x 10" Cover     |
| 1          | 880 SP1010G      | 0   | 880 SP1010G - Inner Panel     |
| 1          | STK-K-02940      | 2   | 5412 ESCHB Accessory Kit      |
| 1          | 5412ESCHW101006B | 0   | 5412ESCHW 10" x 10" x 6" Body |
| 2          | STK-Q-08100      | 1   | M5 Nylon Insert Lock Nut      |
| 2          | STK-Q-10249      | 0   | M5 Sealing Washer             |
| Qty        | Part Number      | Rev | Description                   |
| Parts List |                  |     |                               |

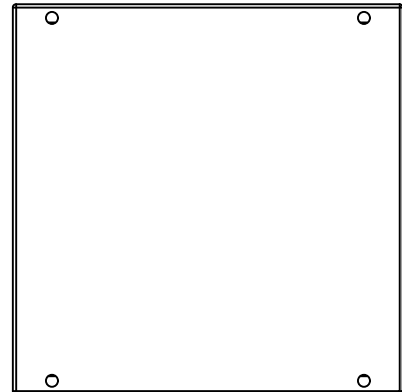
|                                   |             |                |        |
|-----------------------------------|-------------|----------------|--------|
| Color<br>Couleur                  | Asa-61 Grey | Finish<br>Fini | Smooth |
| Description                       |             | Detail Rev.    |        |
| 5412ESCHW 10" x 10" x 6" Assembly |             |                |        |
| Part Number<br>Numéro Pièce       |             | Rev.           | 2      |
| 5412ESCHW101006                   |             | 0              | 10     |

This drawing is confidential and must not be reproduced or used without the consent of EXM

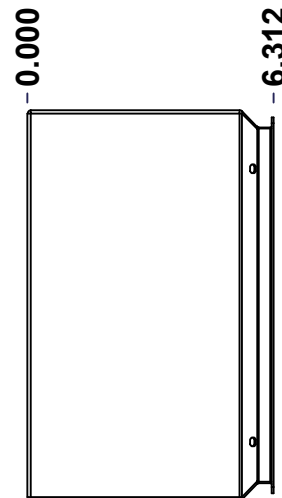
Ce dessin est confidentiel et ne doit pas être reproduit ou utilisé sans le consentement de EXM



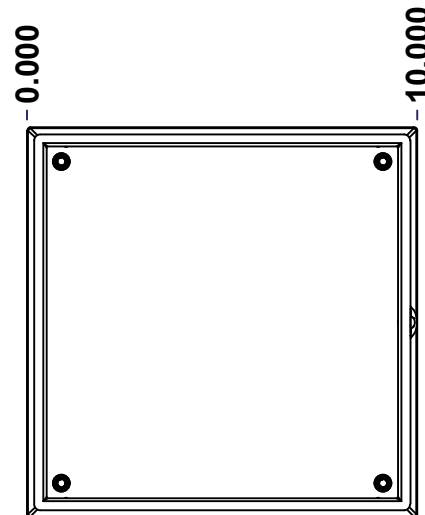
TOP



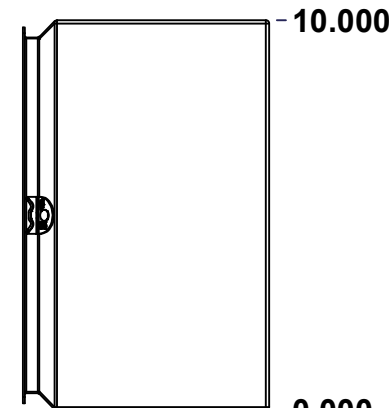
BACK



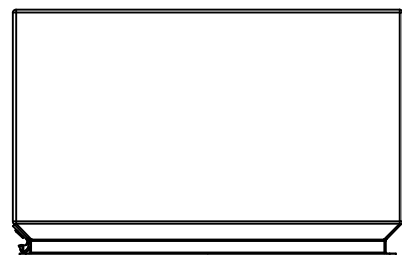
LEFT



FRONT

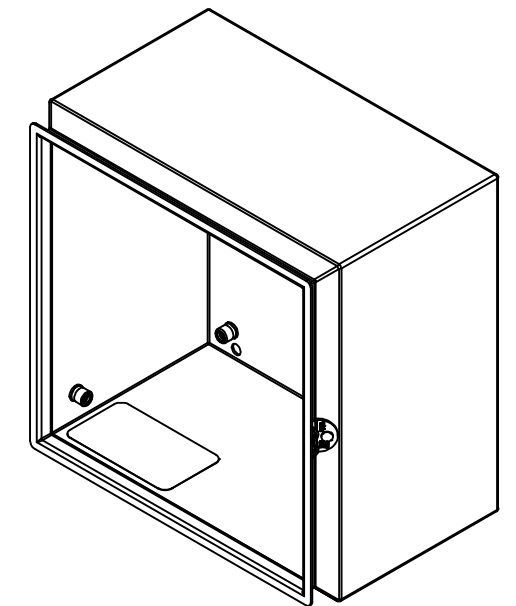


RIGHT




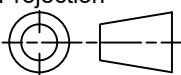
BOTTOM

| No. | Revisions | Date | By/Par |
|-----|-----------|------|--------|
|     |           |      |        |
|     |           |      |        |
|     |           |      |        |
|     |           |      |        |



Isometric View



|  |   |   |
|--|---|---|
|  Tél: (450) 979-4373<br>Fax: (450) 979-4626<br><a href="http://www.exmweb.com">www.exmweb.com</a> |   | Flatness<br>Aplatissement<br>Max 3.0mm<br>Projection<br> |
| Customer Client  | Date                                      |   |
| Drawn By<br>Dessiné Par  | BoxCad: BoxCad                            | Date 10-Oct-14  |
| Material<br>Matière  | 16 Ga Cold Rolled A1008 CS Type B (1.4mm) |   |
| Color<br>Couleur   | Asa-61 Grey                               | Finish<br>Fini Smooth   |
| Description  |   | Detail Rev.   |
| 5412ESCHW 10" x 10" x 6" Body  |   |   |
| Part Number<br>Numéro Pièce  | Rev.                                      | 3   |
| 5412ESCHW101006B   | 0   | 10  |

SEE BILL OF MATERIAL ON LAST PAGE

This drawing is confidential and must not be reproduced or used without the consent of EXM

Ce dessin est confidentiel et ne doit pas être reproduit ou utilisé sans le consentement de EXM

**STANDARD FEATURES ARE NOT LISTED IN THIS HOLE TABLE**

**HOLE TABLE - BOTTOM VIEW (CUSTOM FEATURE ONLY)**

| CUT-OUT | XDIM  | YDIM  | DESCRIPTION |
|---------|-------|-------|-------------|
| 1       | 2.000 | 4.250 | LABEL_EXM   |



**BOTTOM**

|                             |                               |          |        |
|-----------------------------|-------------------------------|----------|--------|
|                             | Description                   |          | Status |
|                             | 5412ESCHW 10" x 10" x 6" Body |          | (NULL) |
| Part Number<br>Numéro Pièce |                               | Rev.     | 4      |
| <b>5412ESCHW101006B</b>     |                               | <b>0</b> | 10     |

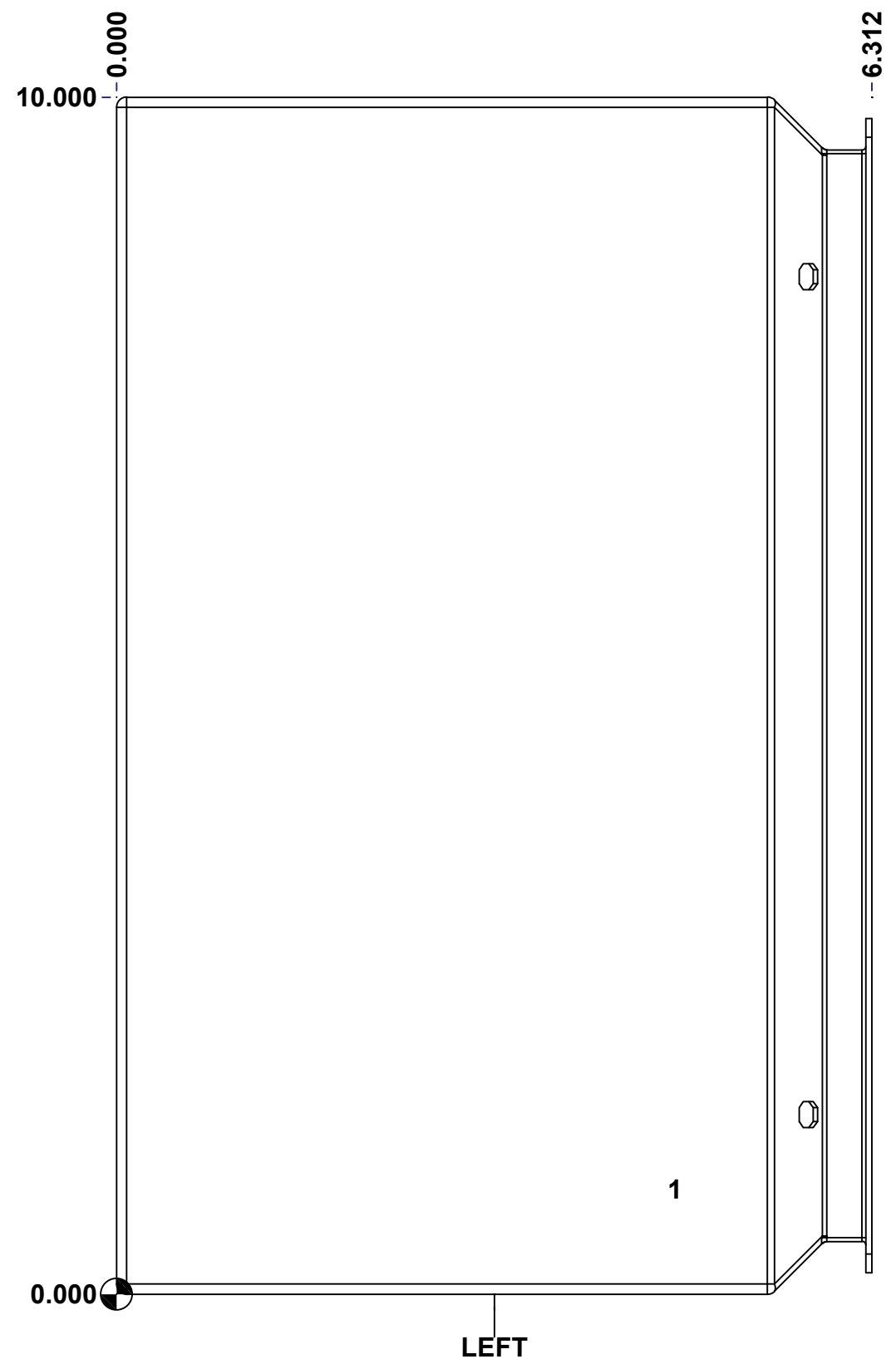
This drawing is confidential and must not be reproduced or used without the consent of EXM

Ce dessin est confidentiel et ne doit pas être reproduit ou utilisé sans le consentement de EXM

**STANDARD FEATURES ARE NOT LISTED IN THIS HOLE TABLE**

**HOLE TABLE - LEFT VIEW (CUSTOM FEATURE ONLY)**

| CUT-OUT | XDIM  | YDIM  | DESCRIPTION                 |
|---------|-------|-------|-----------------------------|
| 1       | 4.625 | 0.875 | STANDOFF M6 x 10mm (Inside) |



|  |                               |        |
|--|-------------------------------|--------|
|  | Description                   | Status |
|  | 5412ESCHW 10" x 10" x 6" Body | (NULL) |
| Part Number<br>Numéro Pièce<br><b>5412ESCHW101006B</b> | Rev.                          | 5      |
|  | <b>0</b>                      | 10     |

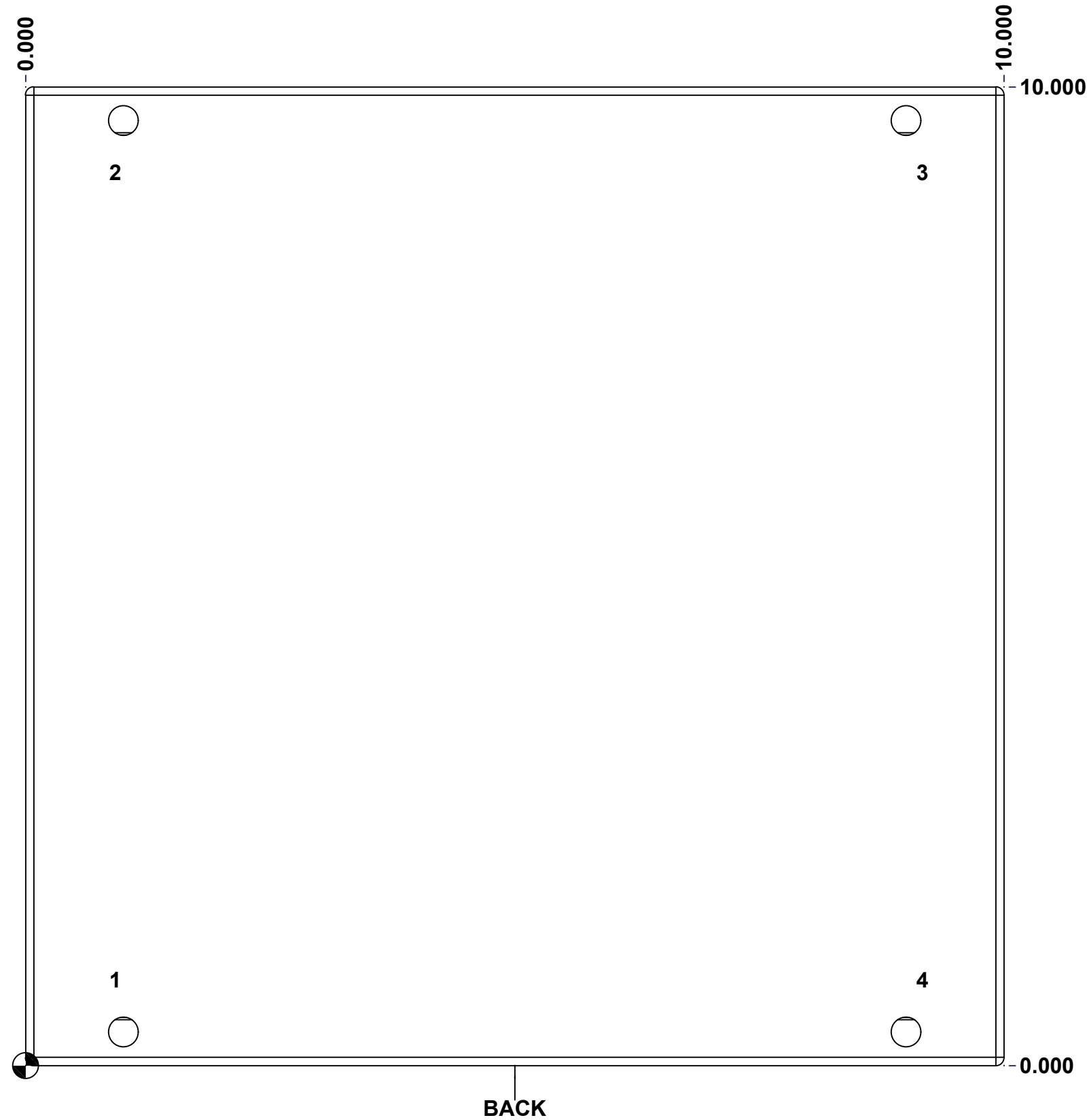
This drawing is confidential and must not be reproduced or used without the consent of EXM

Ce dessin est confidentiel et ne doit pas être reproduit ou utilisé sans le consentement de EXM

**STANDARD FEATURES ARE NOT LISTED IN THIS HOLE TABLE**

**HOLE TABLE - BACK VIEW (CUSTOM FEATURE ONLY)**

| CUT-OUT | XDIM  | YDIM  | DESCRIPTION                    |
|---------|-------|-------|--------------------------------|
| 1       | 0.875 | 0.875 | IP STANDOFF M6 x 10mm (Inside) |
| 2       | 0.875 | 9.125 | IP STANDOFF M6 x 10mm (Inside) |
| 3       | 9.125 | 9.125 | IP STANDOFF M6 x 10mm (Inside) |
| 4       | 9.125 | 0.875 | IP STANDOFF M6 x 10mm (Inside) |

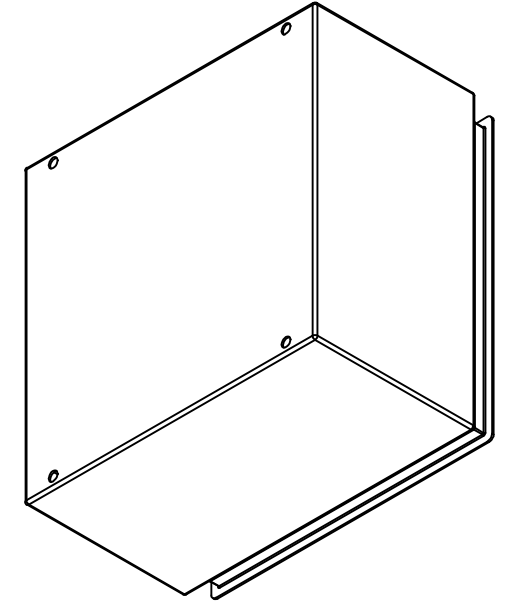


|  |                               |  |                   |
|--|-------------------------------|--|-------------------|
|  | Description                   |  | Status            |
|  | 5412ESCHW 10" x 10" x 6" Body |  | (NULL)            |
|  | Part Number<br>Numéro Pièce   |  | Rev.              |
|  | <b>5412ESCHW101006B</b>       |  | <b>0</b> / 6 / 10 |

This drawing is confidential and must not be reproduced or used without the consent of EXM

Ce dessin est confidentiel et ne doit pas être reproduit ou utilisé sans le consentement de EXM

| No. | Revisions | Date | By/Par |
|-----|-----------|------|--------|
|     |           |      |        |
|     |           |      |        |
|     |           |      |        |
|     |           |      |        |
|     |           |      |        |



Isometric View



Tél: (450) 979-4373  
 Fax: (450) 979-4626  
[www.exmweb.com](http://www.exmweb.com)

Flatness  
Aplatissement  
Max 3.0mm  
Projection

|   |                 |
|---|-----------------|
| Customer Client   | Date            |
| Drawn By / Dessiné Par: BoxCad: BoxCad                        | Date: 10-Oct-14 |
| Material / Matière: 16 Ga Cold Rolled A1008 CS Type B (1.4mm) |                 |

|                              |                       |
|------------------------------|-----------------------|
| Color / Couleur: Asa-61 Grey | Finish / Fini: Smooth |
|------------------------------|-----------------------|

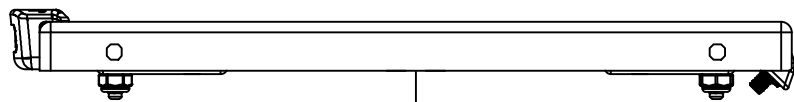
|  |             |
|--|-------------|
| Description: 5412ESCHW 10" x 10" x 6" Body | Detail Rev. |
|--|-------------|

|   |               |        |
|---|---------------|--------|
| Part Number / Numéro Pièce: <b>5412ESCHW101006B</b> | Rev. <b>0</b> | 7 / 10 |
|---|---------------|--------|

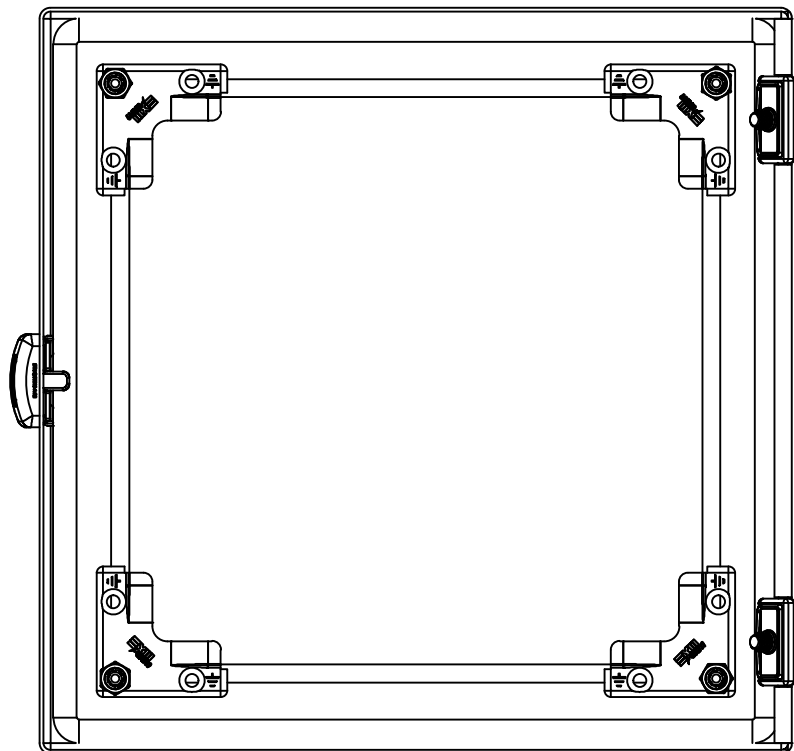
| Qty        | Part Number        | Rev | Description   |
|------------|--------------------|-----|---|
| 1          | STK-A-70469        | 6   | 5412 ESSMCH - Stainless Steel 316 Body Catch Assembly |
| 1          | STK-Q-08100        | 1   | M5 Nylon Insert Lock Nut                              |
| 1          | STK-P-02400S       | 0   | Powder Paint (Asa-61 Grey / Smooth)                   |
| 1          | 5412ESCHW101006B-P | 0   | 5412ESCHW 10" x 10" x 6" Body Part                    |
| 1          | STK-S-00100        | 0   | 3.5" x 2" Silver Milar Flexcon Sticker                |
| 5          | STK-Q-08350        | 5   | Standoff M6 x 10mm                                    |
| Parts List |                    |     |   |

This drawing is confidential and must not be reproduced or used without the consent of EXM

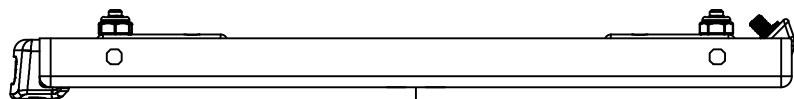
Ce dessin est confidentiel et ne doit pas être reproduit ou utilisé sans le consentement de EXM



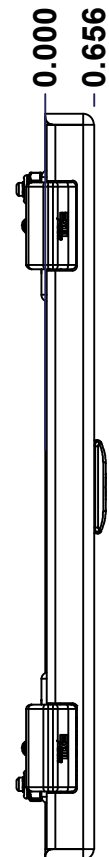
TOP



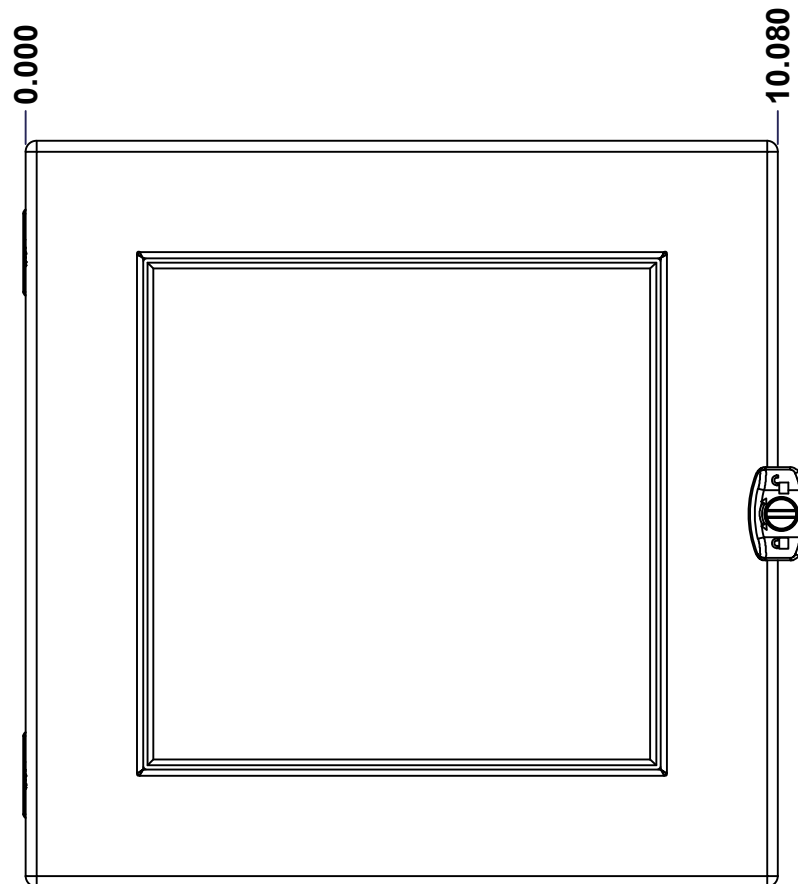
BACK



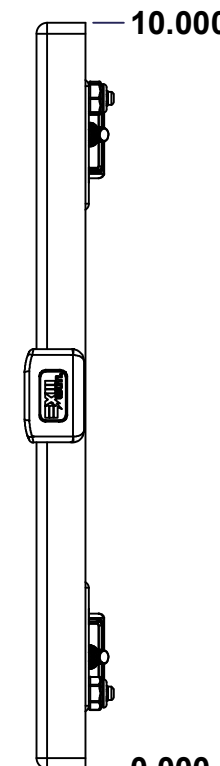
BOTTOM



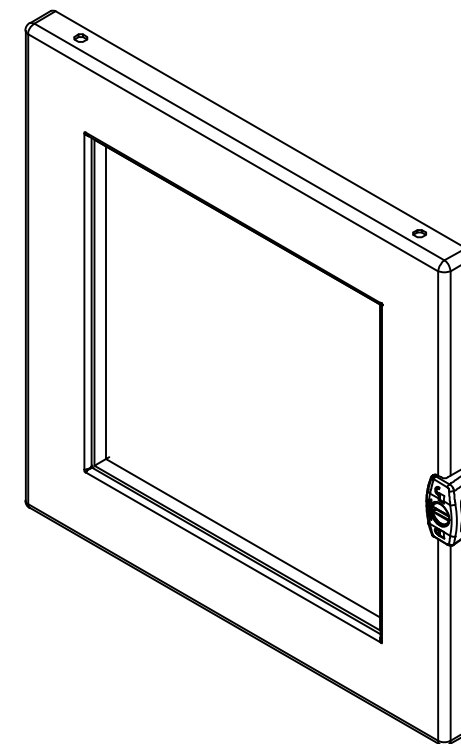
LEFT



FRONT




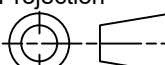
RIGHT



Isometric View



| No. | Revisions | Date | By/Par |
|-----|-----------|------|--------|
|     |           |      |        |
|     |           |      |        |
|     |           |      |        |
|     |           |      |        |

|  |   |   |
|--|---|---|
|  Tél: (450) 979-4373<br>Fax: (450) 979-4626<br><a href="http://www.exmweb.com">www.exmweb.com</a> |   | Flatness<br>Aplatissement<br>Max 3.0mm<br>Projection<br> |
| Customer Client  | Date                                      |   |
| Drawn By<br>Dessiné Par  | BoxCad: BoxCad                            | Date 10-Oct-14  |
| Material<br>Matière  | 16 Ga Cold Rolled A1008 CS Type B (1.4mm) |   |
| Color<br>Couleur   | Asa-61 Grey                               | Finish<br>Fini Smooth   |
| Description<br>5412ESCHW 10" x 10" Cover   |   | Detail Rev.   |
| Part Number<br>Numéro Pièce  | Rev. 0                                    | 8 / 10  |

SEE BILL OF MATERIAL ON LAST PAGE

**5412ESCHW101006C**



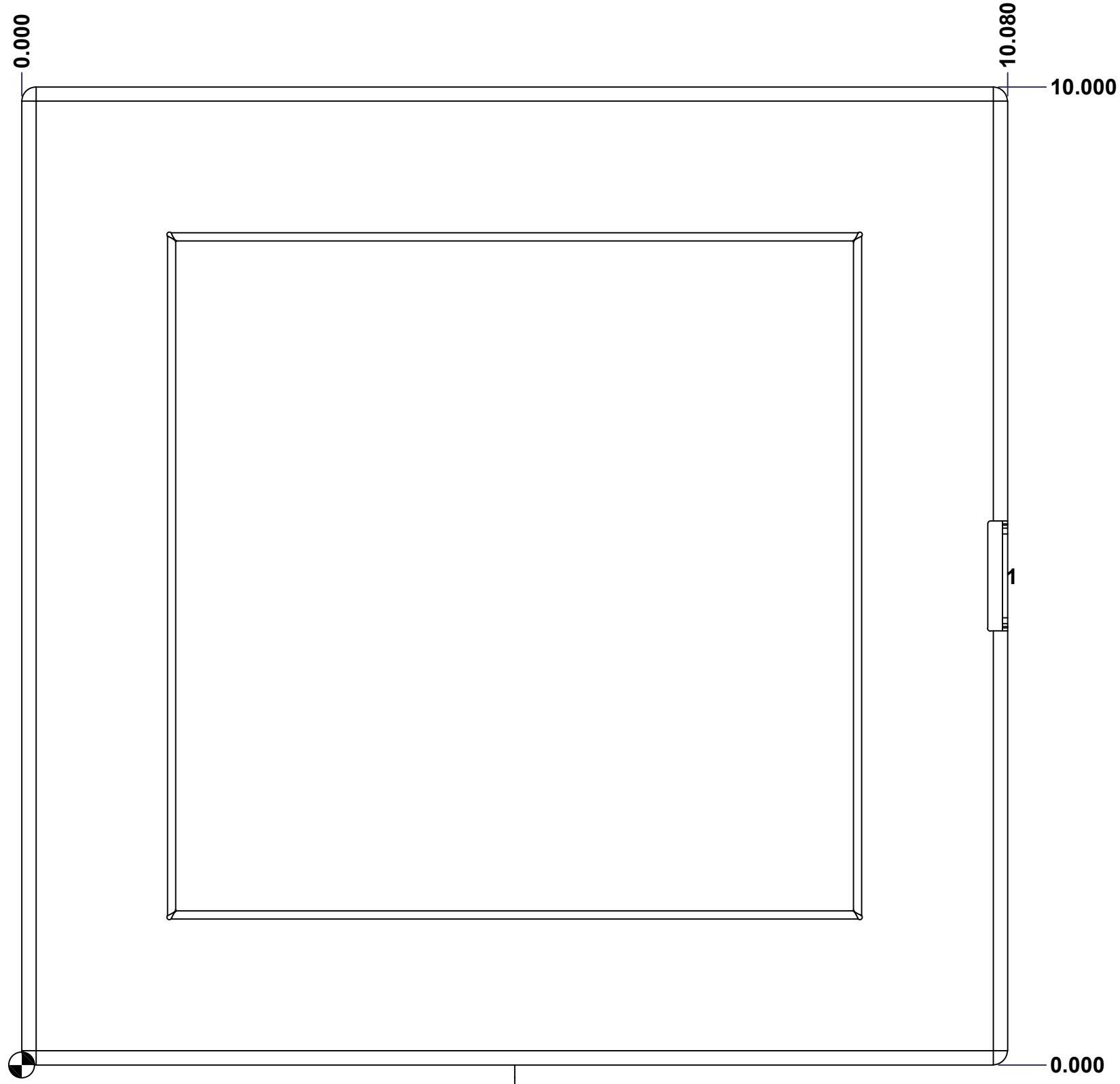
This drawing is confidential and must not be reproduced or used without the consent of EXM

Ce dessin est confidentiel et ne doit pas être reproduit ou utilisé sans le consentement de EXM

**STANDARD FEATURES ARE NOT LISTED IN THIS HOLE TABLE**

**HOLE TABLE - FRONT VIEW (CUSTOM FEATURE ONLY)**

| CUT-OUT | XDIM   | YDIM  | DESCRIPTION            |
|---------|--------|-------|------------------------|
| 1       | 10.080 | 5.000 | LOCK 880 SCQ2MS @ 0.0° |



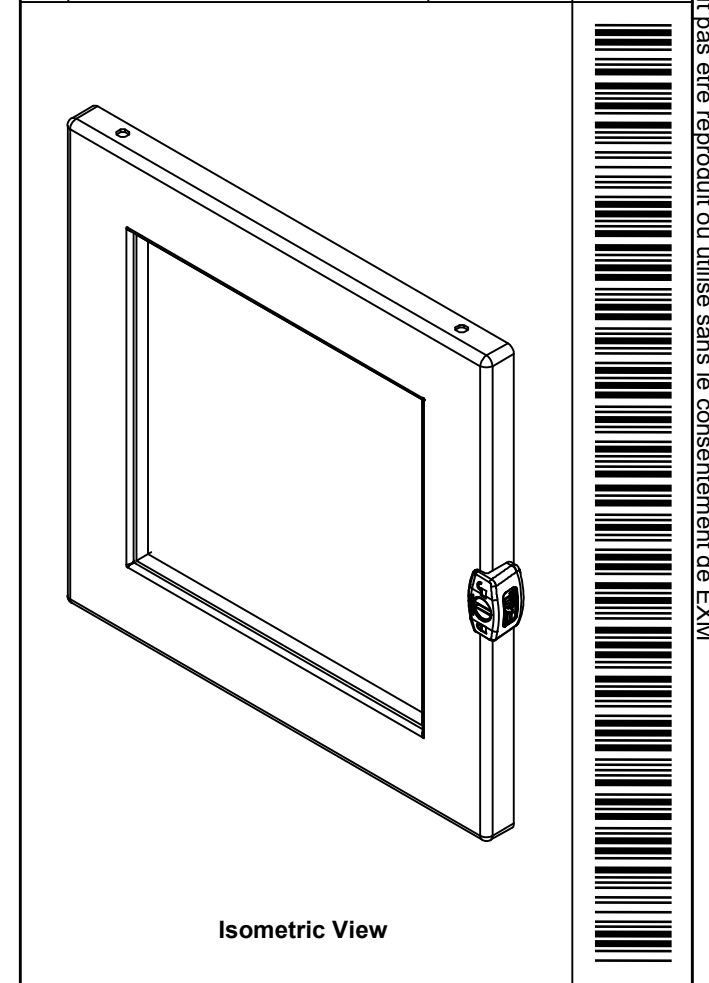
FRONT

|  |                             |              |
|--|-----------------------------|--------------|
|  | Description                 | Status       |
|  | 5412ESCHW 10" x 10" Cover   | (NULL)       |
|  | Part Number<br>Numéro Pièce | Rev.         |
|  | <b>5412ESCHW101006C</b>     | <b>0</b> / 9 |
|  |                             | 10           |

This drawing is confidential and must not be reproduced or used without the consent of EXM

Ce dessin est confidentiel et ne doit pas être reproduit ou utilisé sans le consentement de EXM

| No. | Revisions | Date | By/Par |
|-----|-----------|------|--------|
|     |           |      |        |
|     |           |      |        |
|     |           |      |        |
|     |           |      |        |
|     |           |      |        |




 Tél: (450) 979-4373  
 Fax: (450) 979-4626  
[www.exmweb.com](http://www.exmweb.com)

Flatness  
 Aplatissement  
 Max 3.0mm  
 Projection  


|   |                    |   |   |
|---|--------------------|---|---|
| 1 | 880SCQ2MS          | 3 | 5412 ESMCH - External Lock Assy - Slot Lock |
| 1 | STK-P-02400S       | 0 | Powder Paint (Asa-61 Grey / Smooth)         |
| 1 | STK-G-02705        | 0 | 880 HWKG - Windows Kit Gasket               |
| 1 | 5412ESCHW101006G   | 0 | 5412ESCHW 10" x 10" Gasket                  |
| 1 | 5412ESCHW101006LXG | 0 | 5412ESCHW 10" x 10" Lexan Gasket            |
| 1 | 5412ESCHW101006LX  | 0 | 5412ESCHW Lexan 7.6" x 7.68" x 1/4"         |
| 4 | STK-Q-16052        | 0 | M6 x 23mm Stud (No Paint Cap Required)      |
| 1 | 5412ESCHW101006C-P | 0 | 5412ESCHW 10" x 10" Cover Part              |
| 2 | STK-A-33033        | 4 | 5412 ESMCH Hinge                            |
| 4 | STK-Q-60703        | 1 | Lexan Coner Grounding Bracket               |

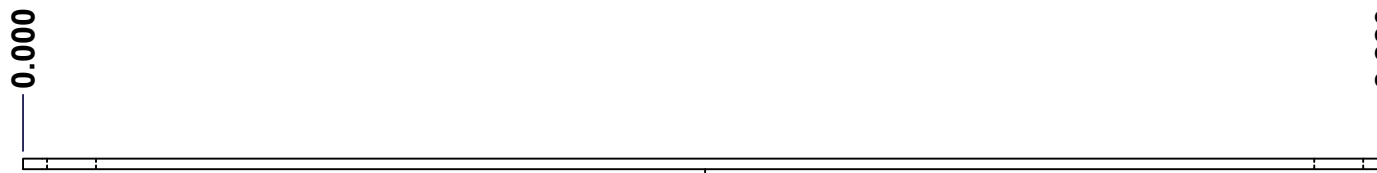
|   |                       |
|---|-----------------------|
| Customer Client   | Date                  |
| Drawn By<br>Dessiné Par BoxCad: BoxCad                        | Date 10-Oct-14        |
| Material<br>Matière 16 Ga Cold Rolled A1008 CS Type B (1.4mm) |                       |
| Color<br>Couleur Asa-61 Grey                                  | Finish<br>Fini Smooth |
| Description<br>5412ESCHW 10" x 10" Cover                      | Detail Rev.           |

| Qty        | Part Number | Rev | Description |
|------------|-------------|-----|-------------|
| Parts List |             |     |             |

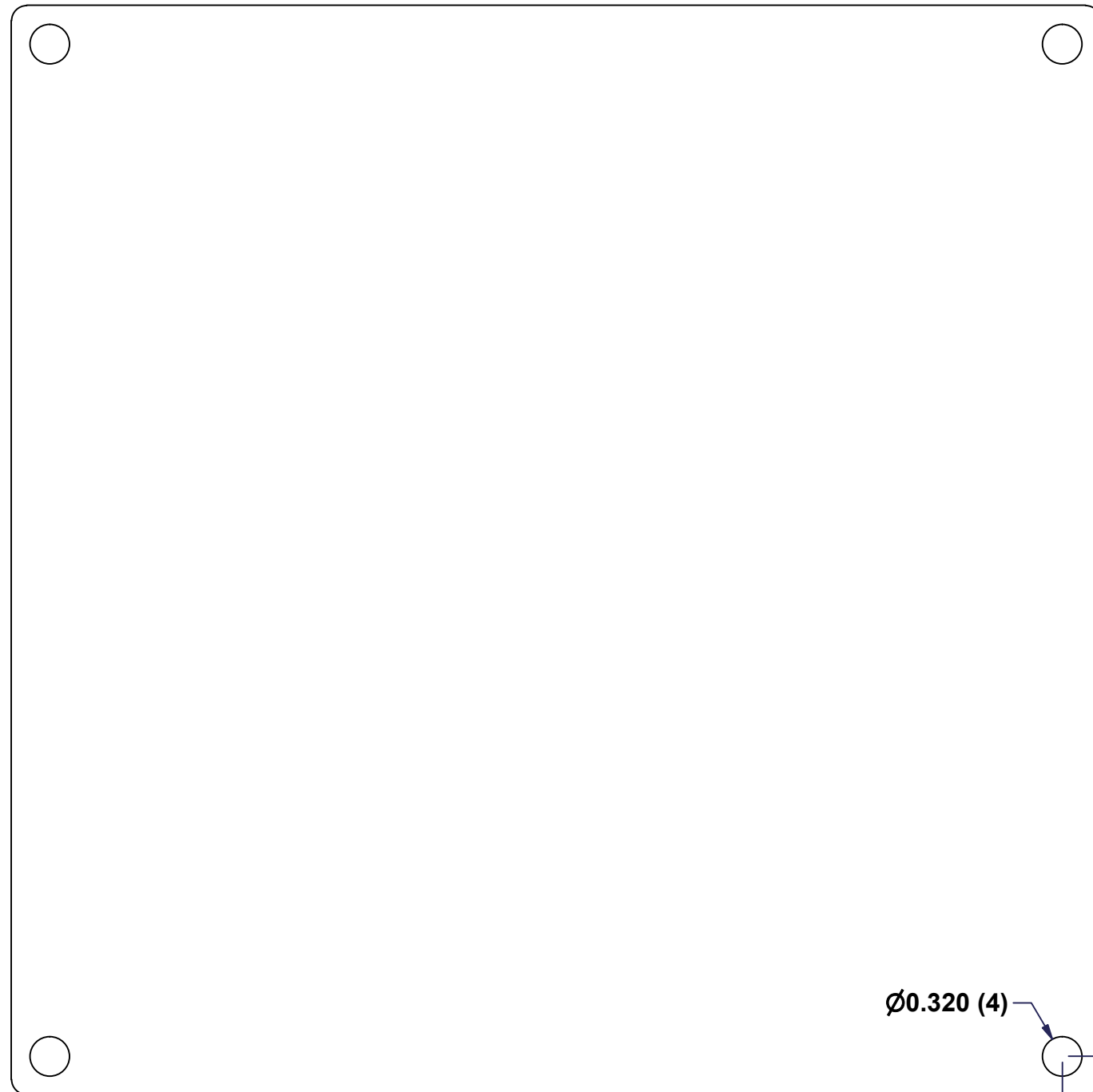
|  |                  |          |
|--|------------------|----------|
| Part Number<br>Numéro Pièce<br><b>5412ESCHW101006C</b> | Rev.<br><b>0</b> | 10<br>10 |
|--|------------------|----------|

This drawing is confidential and must not be reproduced or used without the consent of EXM

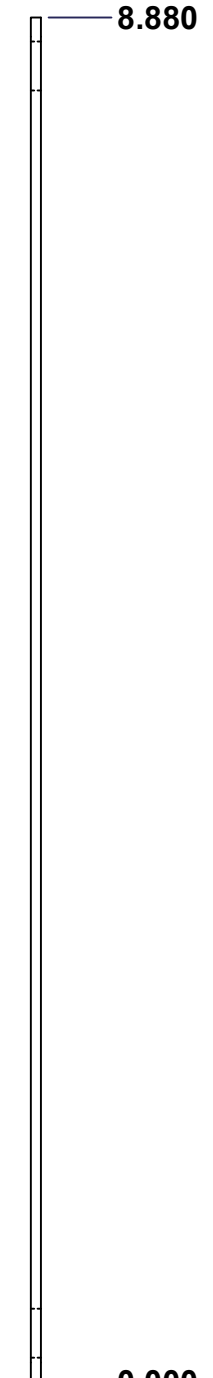
Ce dessin est confidentiel et ne doit pas être reproduit ou utilisé sans le consentement de EXM



TOP

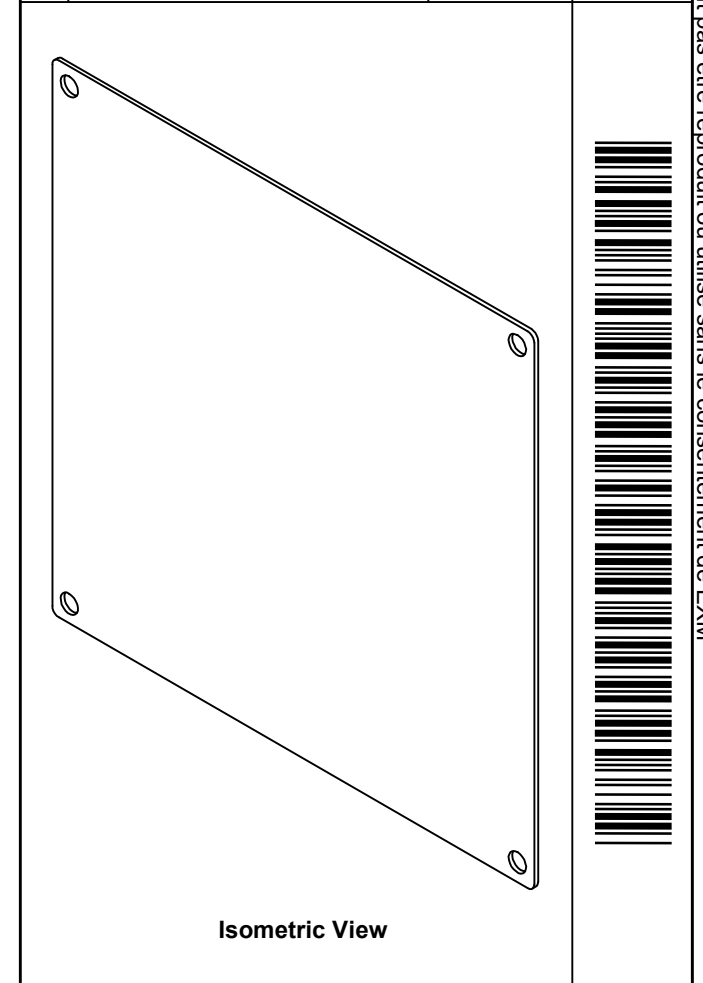


FRONT



RIGHT

| No. | Revisions | Date | By/Par |
|-----|-----------|------|--------|
|     |           |      |        |
|     |           |      |        |
|     |           |      |        |
|     |           |      |        |



Isometric View

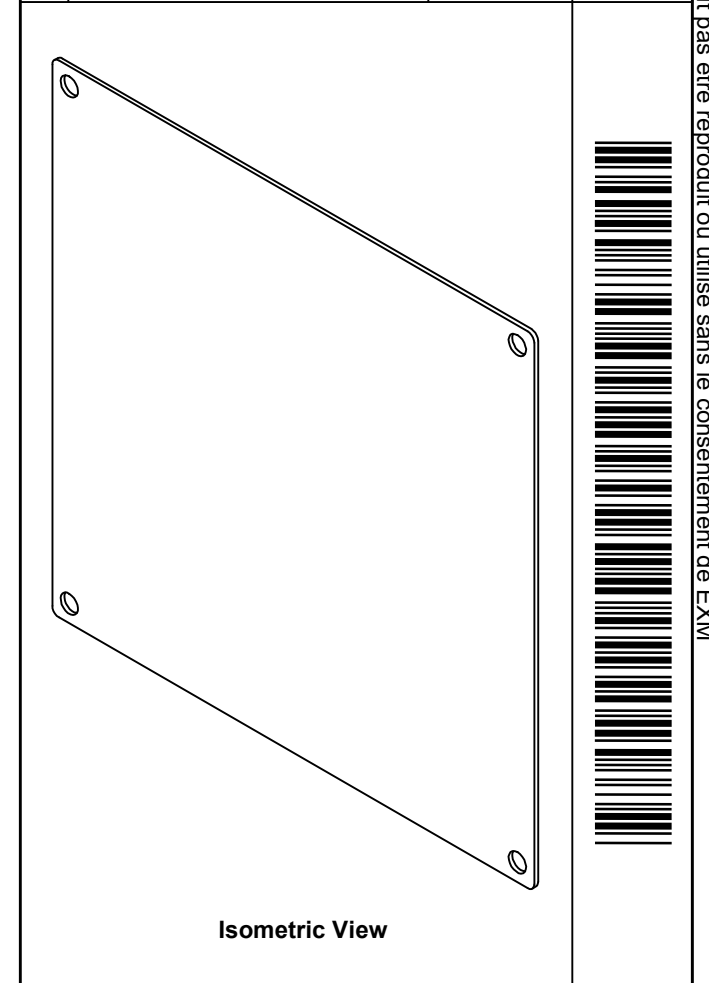
|  |  |
|--|--|
| Tél: (450) 979-4373<br>Fax: (450) 979-4626<br>www.exmweb.com | Flatness<br>Aplatissement<br>Max 3.0mm |
|  | Projection<br>                         |
| Customer Client  | Date                                   |
| Drawn By<br>Dessiné Par BoxCad                               | Date 23-Jan-07                         |
| Material<br>Matière 14 Ga Galvanized (1.7mm)                 |  |
| Color<br>Couleur Unpainted                                   | Finish<br>Fini Galvanized              |
| Description<br>880 SP1010G - Inner Panel                     | Detail Rev.                            |
| Part Number<br>Numéro Pièce <b>880 SP1010G</b>               | Rev. 1<br>0                            |


SEE BILL OF MATERIAL ON LAST PAGE

This drawing is confidential and must not be reproduced or used without the consent of EXM

Ce dessin est confidentiel et ne doit pas être reproduit ou utilisé sans le consentement de EXM

| No. | Revisions | Date | By/Par |
|-----|-----------|------|--------|
|     |           |      |        |
|     |           |      |        |
|     |           |      |        |
|     |           |      |        |
|     |           |      |        |



|  |                           |  |
|--|---------------------------|--|
|  Tél: (450) 979-4373<br>Fax: (450) 979-4626<br>www.exmweb.com |                           | Flatness<br>Aplatissement<br>Max 3.0mm |
| Customer Client  |                           | Date                                   |
| Drawn By / Dessiné Par: BoxCad   |                           | Date: 23-Jan-07                        |
| Material / Matière: 14 Ga Galvanized (1.7mm)   |                           |  |
| Color / Couleur: Unpainted   | Finish / Fini: Galvanized |  |
| Description: 880 SP1010G - Inner Panel   |                           | Detail Rev.                            |
| Part Number / Numéro Pièce: <b>880 SP1010G</b>   |                           | Rev. 0 / 2                             |

| Qty        | Part Number   | Rev | Description                    |
|------------|---------------|-----|--------------------------------|
| 1          | 880 SP1010G-P | 0   | 880 SP1010G - Inner Panel Part |
| Parts List |               |     |                                |