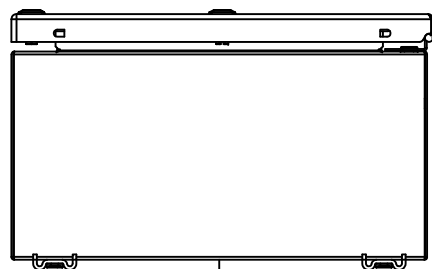
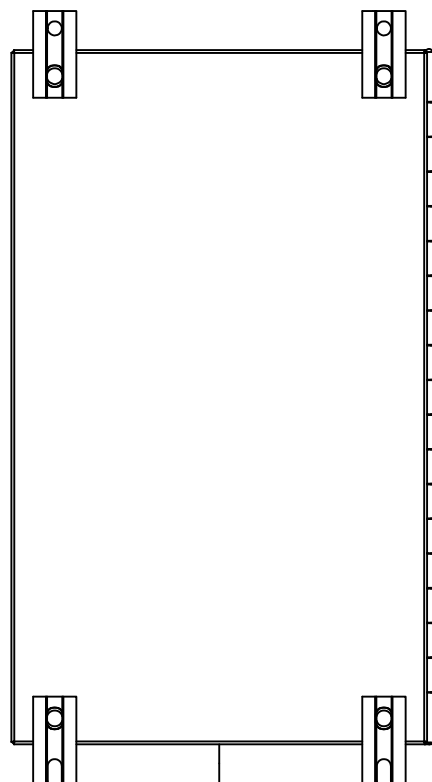


This drawing is confidential and must not be reproduced or used without the consent of EXM

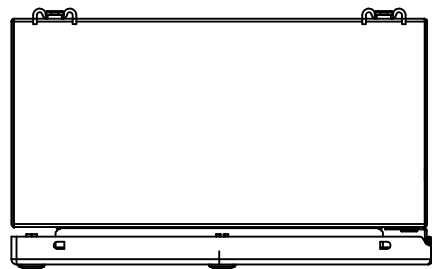
Ce dessin est confidentiel et ne doit pas être reproduit ou utilisé sans le consentement de EXM



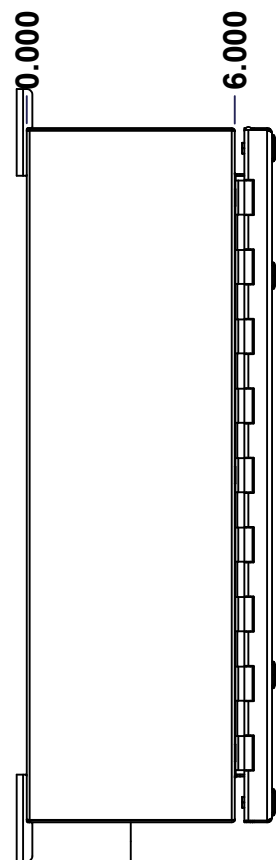
TOP



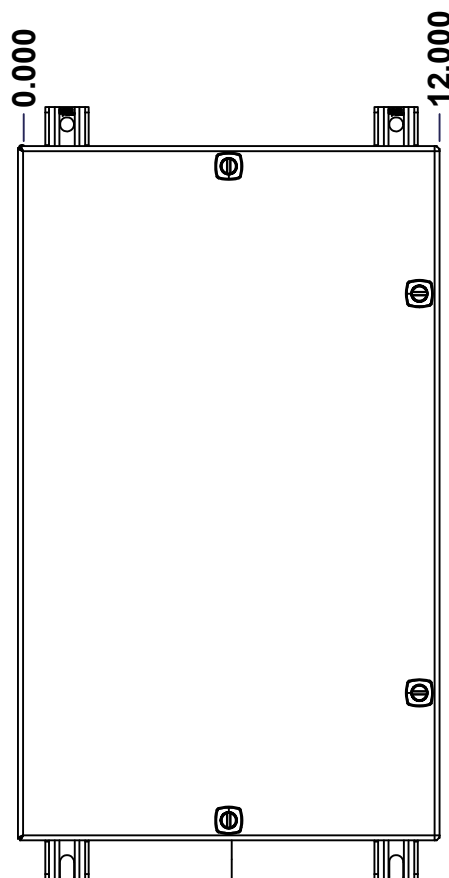
BACK



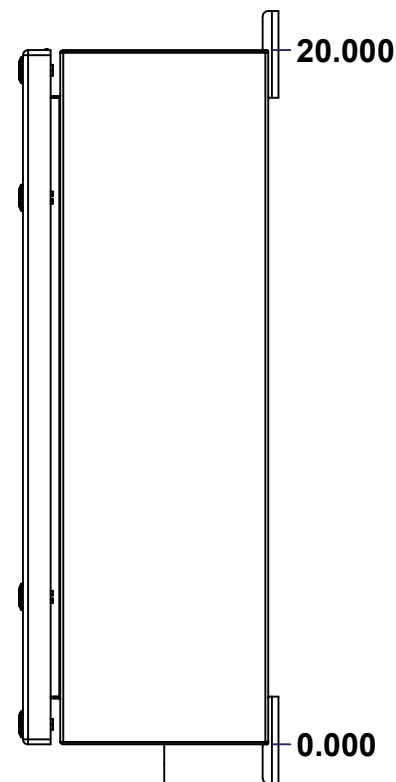
BOTTOM



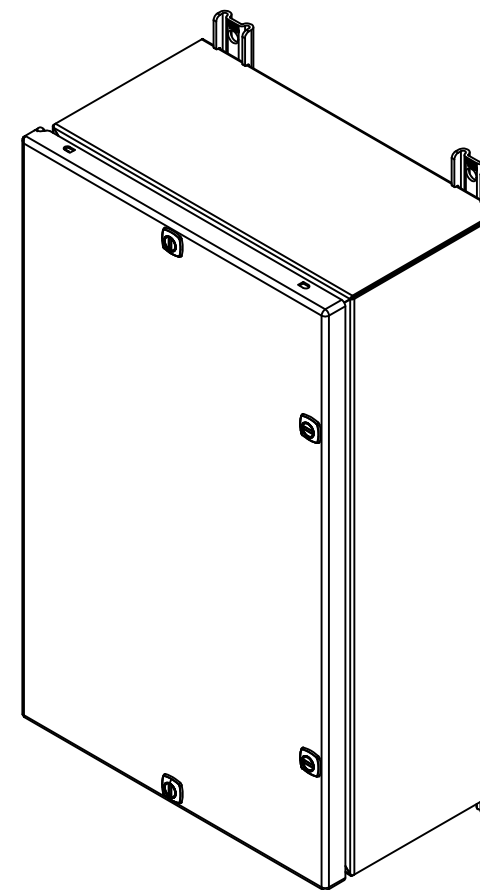
LEFT



FRONT




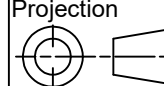
RIGHT



Isometric View



| No. | Revisions | Date | By/Par |
|-----|-----------|------|--------|
| | | | |
| | | | |
| | | | |
| | | | |

| | | |
|--|---------------------------|---|
|  Tél: (450) 979-4373 Fax: (450) 979-4626 www.exmweb.com | | Flatness Aplatissement Max 3.0mm Projection  |
| Customer Client | Date | |
| Drawn By Dessiné Par | BoxCad: BoxCad | Date 04-Feb-20 |
| Material Matière | 16 Ga H.R.P. & O. (1.4mm) | |
| Color Couleur | Asa-61 Grey | Finish Fini Smooth |
| Description | Detail Rev. | |
| 5412ESEL 20" x 12" x 6" Assembly | | |
| Part Number Numéro Pièce | Rev. | 1 |
| 5412ESEL201206 | 0 | 2 |

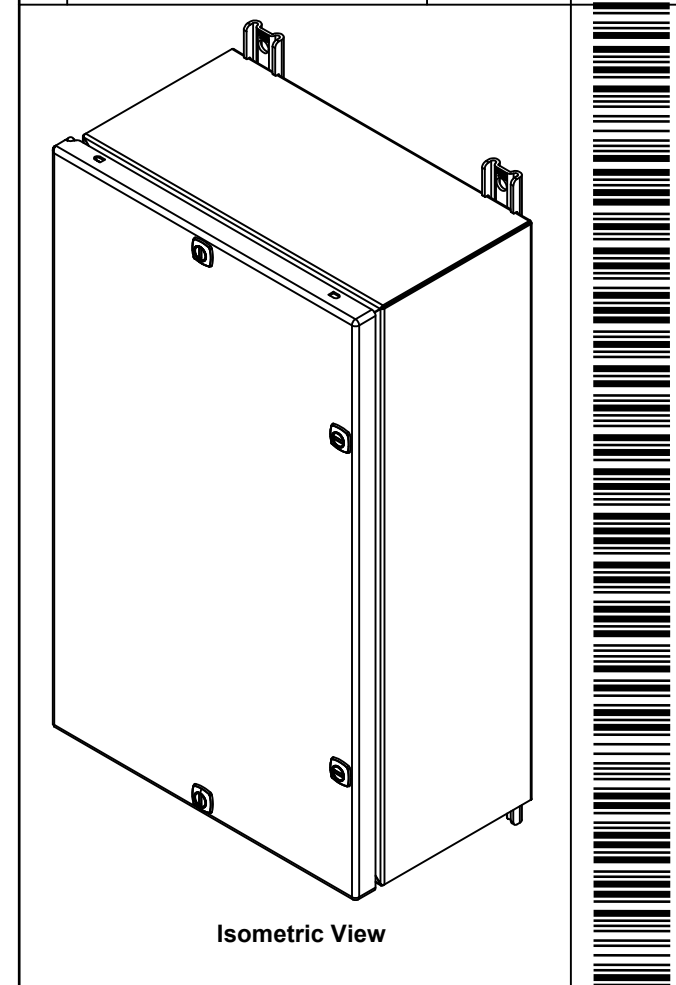
SEE BILL OF MATERIAL ON LAST PAGE

This drawing is confidential and must not be reproduced or used without the consent of EXM

Ce dessin est confidentiel et ne doit pas être reproduit ou utilisé sans le consentement de EXM


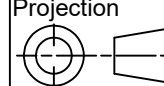
| NOTE | |
|------|--|
| ITEM | DESCRIPTION |
| 1 | NEMA 4/12 Enclosure |
| 2 | C/W Standard ground studs on box and cover |
| 3 | W/O Standard door stiffener |
| 4 | C/W Standard inner panel (Sold separately) |
| 5 | C/W Standard inner panel mounting studs |
| 6 | C/W 885 ESMF1_OPEN Sold separately (Kit) |
| 7 | C/W 885 ESMF1_CLOSE Sold separately (Kit) |

| No. | Revisions | Date | By/Par |
|-----|-----------|------|--------|
| | | | |
| | | | |
| | | | |
| | | | |
| | | | |
| | | | |
| | | | |



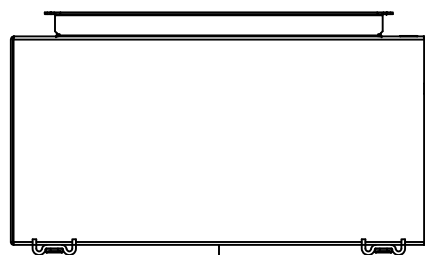
| PACKING | | |
|-----------------------|-----|--|
| ITEM | QTY | DESCRIPTION |
| Cardboard sleeve | 2 | Top and Bottom |
| Cardboard strip | 2 | Between back of enclosure and inner panel |
| Plastic bag | 1 | To protect cover surface and inside gasket |
| Plastic strap - Black | 2 | To Squeeze the 2 cardboard sleeve together |
| Packaging label | 1 | White label with product number |

| | | | |
|------------|--------------------|-----|---|
| 1 | STK-K-01800 | 5 | 5412 ES Accessory Kit |
| 1 | 885SP2012G | 0 | 885SP 20" x 12" Inner Panel Part |
| 1 | MC_5412ESEL201206C | 0 | 5412ESEL 20" x 12" Cover |
| 4 | STK-Q-07310 | 2 | Flange Lock Nut M8 |
| 4 | STK-Q-07610 | 8 | M8 Plastic Spacer 22.2mm |
| 1 | MC_5412ESEL201206B | 0 | 5412ESEL 20" x 12" x 6" Body |
| 3 | STK-Q-04050-10 | 8 | M6 x 10mm Hexagon Socket Head Machine Screw with Nyseal |
| Qty | Part Number | Rev | Description |
| Parts List | | | |

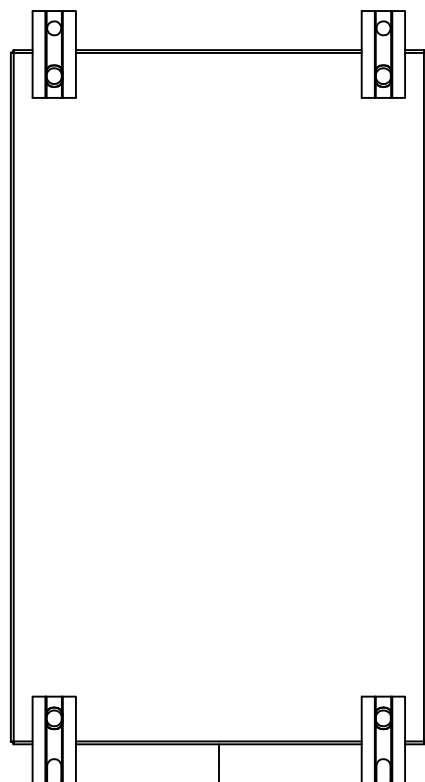
| | | |
|--|----------------------------------|---|
|  Tél: (450) 979-4373 Fax: (450) 979-4626 www.exmweb.com | | Flatness Aplatissement Max 3.0mm Projection  |
| Customer Client | Date | |
| Drawn By Dessiné Par | BoxCad: BoxCad | Date 04-Feb-20 |
| Material Matière | 16 Ga H.R.P. & O. (1.4mm) | |
| Color Couleur | Asa-61 Grey | Finish Fini Smooth |
| Description | 5412ESEL 20" x 12" x 6" Assembly | |
| Part Number Numéro Pièce | 5412ESEL201206 | Rev. 2 |
| | | 0 |

This drawing is confidential and must not be reproduced or used without the consent of EXM

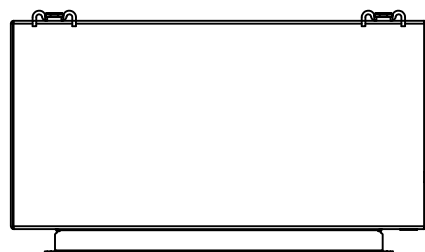
Ce dessin est confidentiel et ne doit pas être reproduit ou utilisé sans le consentement de EXM



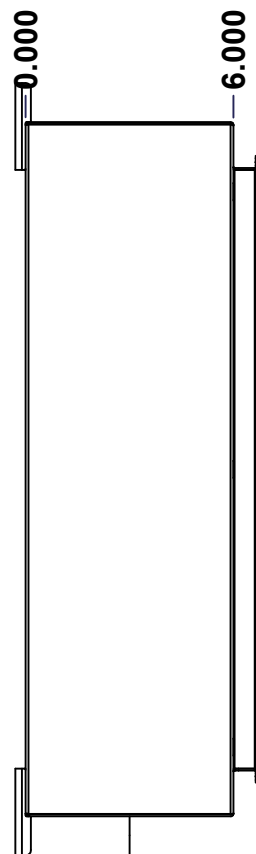
TOP



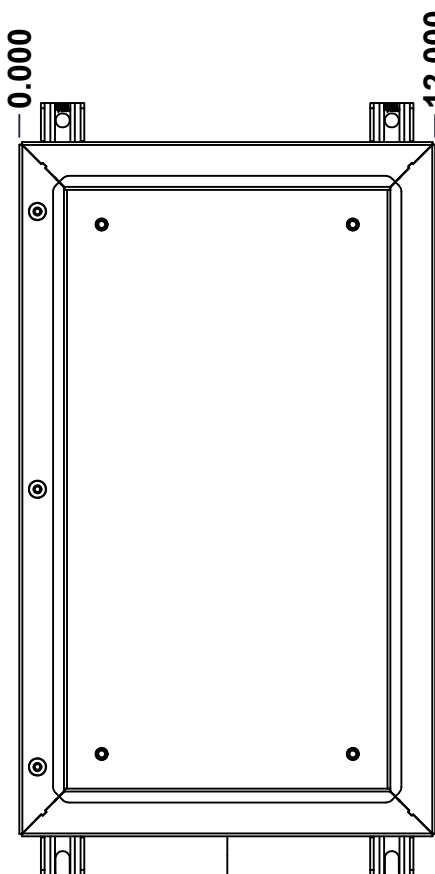
BACK



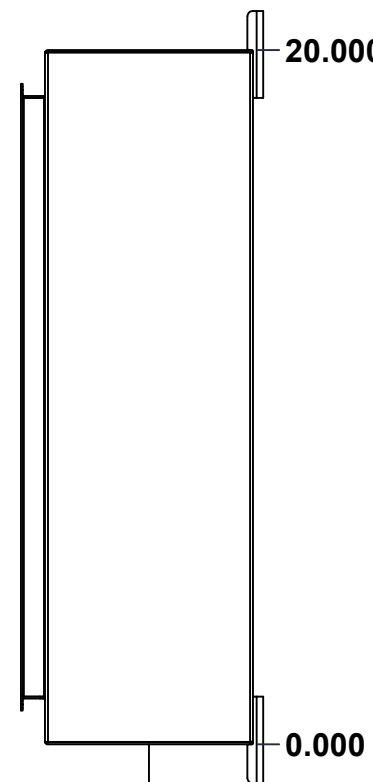
BOTTOM



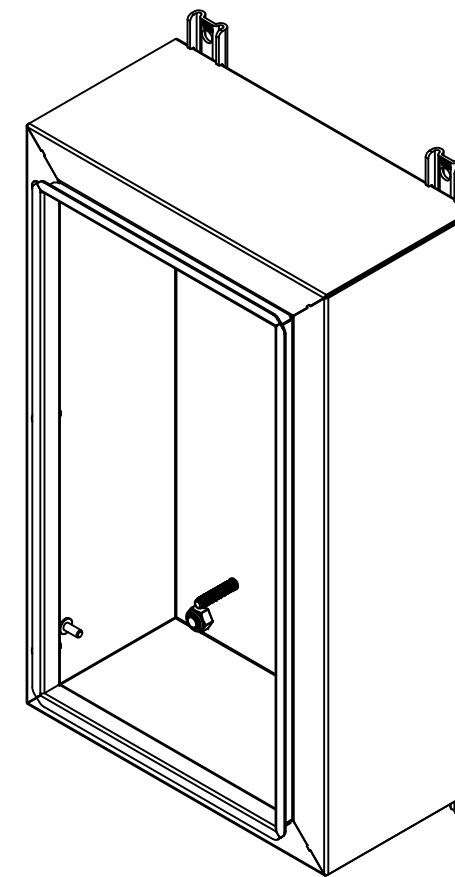
LEFT



FRONT




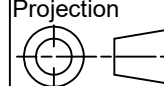
RIGHT



Isometric View



| No. | Revisions | Date | By/Par |
|-----|-----------|------|--------|
| | | | |
| | | | |
| | | | |
| | | | |

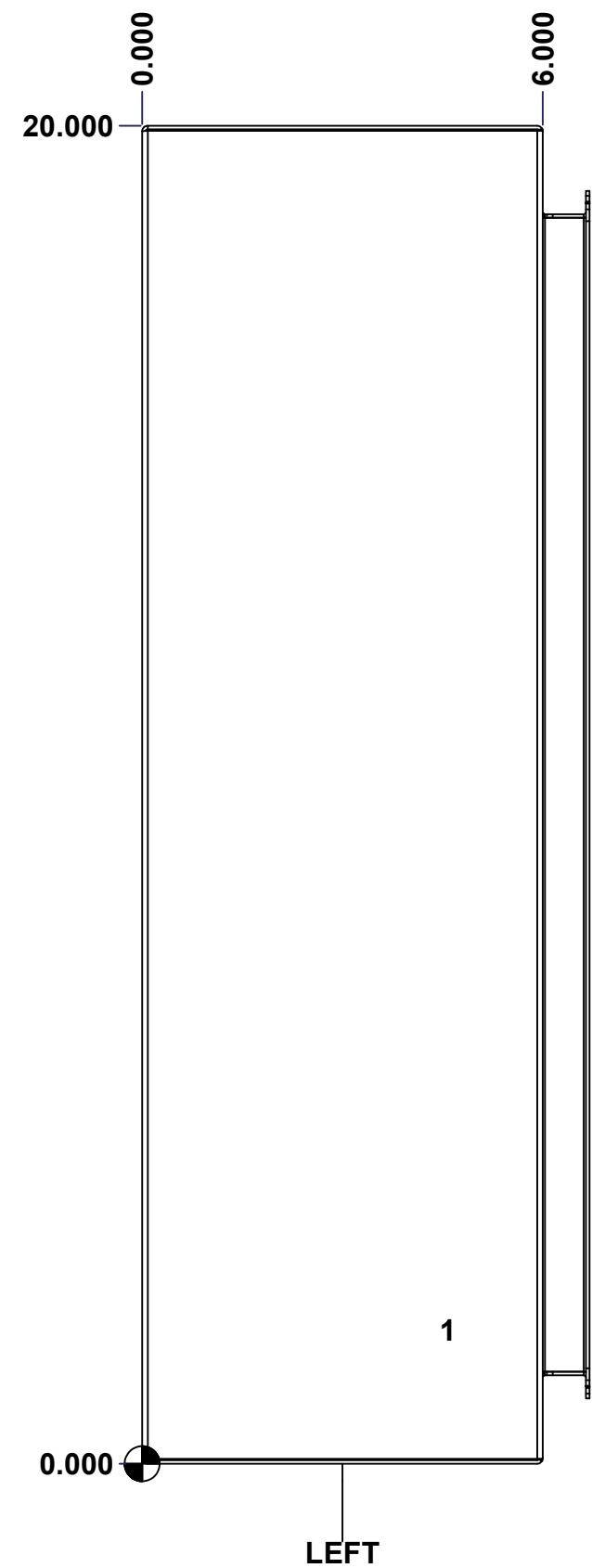
| | | |
|--|---------------------------|---|
|  Tél: (450) 979-4373 Fax: (450) 979-4626 www.exmweb.com | | Flatness Aplatissement Max 3.0mm Projection  |
| Customer Client | Date | |
| Drawn By Dessiné Par | BoxCad: BoxCad | Date 04-Feb-20 |
| Material Matière | 16 Ga H.R.P. & O. (1.4mm) | |
| Color Couleur | Asa-61 Grey | Finish Fini Smooth |
| Description | Detail Rev. | |
| 5412ESEL 20" x 12" x 6" Body | | |
| Part Number Numéro Pièce | Rev. | 1 / 7 |
| 5412ESEL201206B | 0 | |

SEE BILL OF MATERIAL ON LAST PAGE

This drawing is confidential and must not be reproduced or used without the consent of EXM

Ce dessin est confidentiel et ne doit pas être reproduit ou utilisé sans le consentement de EXM

| STANDARD FEATURES ARE NOT LISTED IN THIS HOLE TABLE | | | |
|--|-------|-------|-----------------------------|
| HOLE TABLE - LEFT VIEW (CUSTOM FEATURE ONLY) | | | |
| CUT-OUT | XDIM | YDIM | DESCRIPTION |
| 1 | 4.500 | 2.000 | GND STUD M6 x 16mm (Inside) |



| | | | |
|--|------------------------------|----------|--------|
| | Description | Status | |
| | 5412ESEL 20" x 12" x 6" Body | | |
| | Part Number Numéro Pièce | Rev. | 5 7 |
| | 5412ESEL201206B | 0 | |

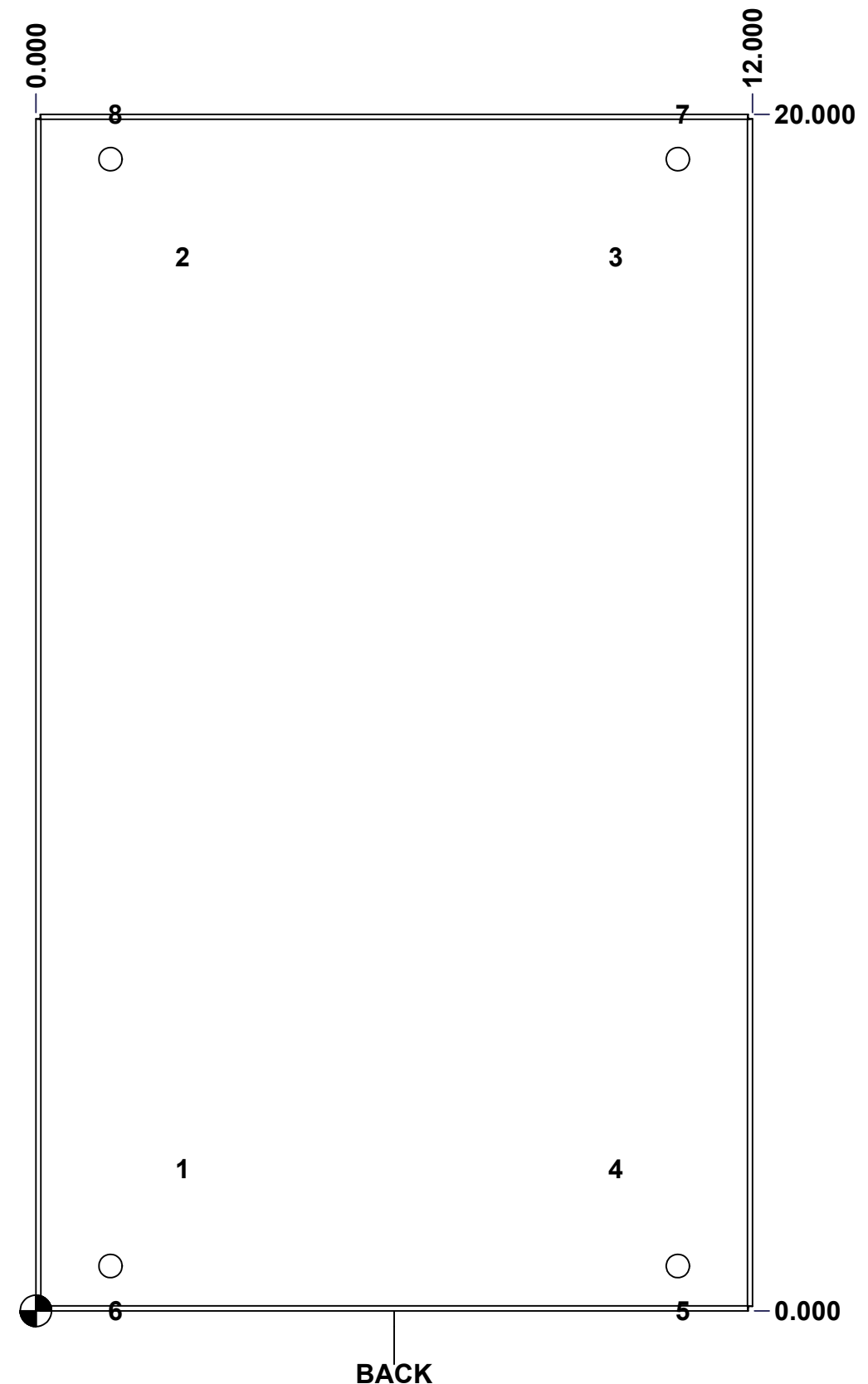
This drawing is confidential and must not be reproduced or used without the consent of EXM

Ce dessin est confidentiel et ne doit pas être reproduit ou utilisé sans le consentement de EXM

STANDARD FEATURES ARE NOT LISTED IN THIS HOLE TABLE

HOLE TABLE - BACK VIEW (CUSTOM FEATURE ONLY)

| CUT-OUT | XDIM | YDIM | DESCRIPTION |
|---------|--------|--------|----------------------------|
| 1 | 2.375 | 2.375 | IP STUD M8 x 35mm (Inside) |
| 2 | 2.375 | 17.625 | IP STUD M8 x 35mm (Inside) |
| 3 | 9.625 | 17.625 | IP STUD M8 x 35mm (Inside) |
| 4 | 9.625 | 2.375 | IP STUD M8 x 35mm (Inside) |
| ----- | | | |
| 5 | 10.750 | 0.000 | FOOT 885 ESMF1_OPEN |
| 6 | 1.250 | 0.000 | FOOT 885 ESMF1_OPEN |
| 7 | 10.750 | 20.000 | FOOT 885 ESMF1_CLOSE |
| 8 | 1.250 | 20.000 | FOOT 885 ESMF1_CLOSE |

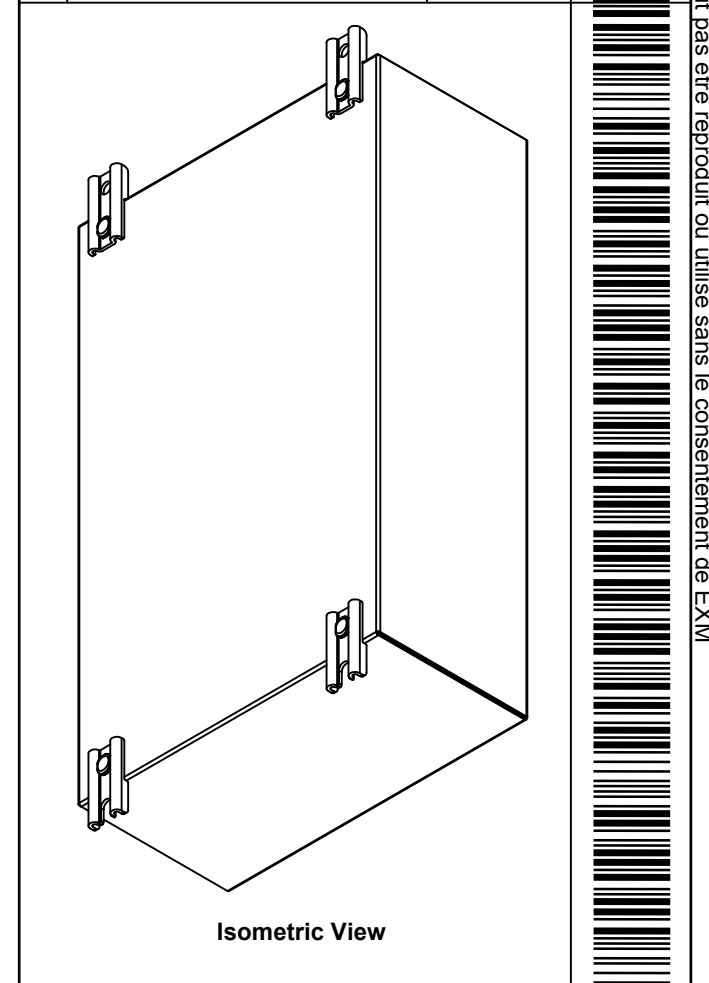


| | | |
|--|------------------------------|----------|
| | Description | Status |
| | 5412ESEL 20" x 12" x 6" Body | |
| | Part Number Numéro Pièce | Rev. |
| | 5412ESEL201206B | 0 |
| | | 6 |
| | | 7 |

This drawing is confidential and must not be reproduced or used without the consent of EXM


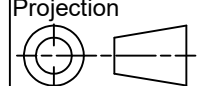
Ce dessin est confidentiel et ne doit pas être reproduit ou utilisé sans le consentement de EXM

| No. | Revisions | Date | By/Par |
|-----|-----------|------|--------|
| | | | |
| | | | |
| | | | |
| | | | |
| | | | |



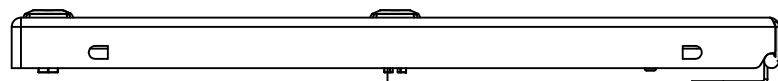
| Qty | Part Number | Rev | Description |
|-----|-----------------------|-----|--|
| 1 | STK-Q-16080 | 0 | Ground Stud M6 x 16mm |
| 3 | RIVET_NUT_SS_M6_FH_CE | 0 | Stainless Steel Rivet Nut M6 (Low Profile Close End) |
| 1 | STK-P-02400S | 0 | Powder Paint (Asa-61 Grey / Smooth) |
| 4 | STK-Q-16005 | 1 | Stud M8 x 35 (No Paint Cap Required) |
| 1 | MC_5412ESEL201206B-P | 0 | 5412ESEL 20" x 12" x 6" Body Part |
| 2 | 885 ESMF1_CLOSE | 0 | 885 ESMF1 Mounting Foot (Closed Hole) |
| 2 | 885 ESMF1_OPEN | 0 | 885 ESMF1 Mounting Foot (Opened Hole) |
| | | | |

Parts List

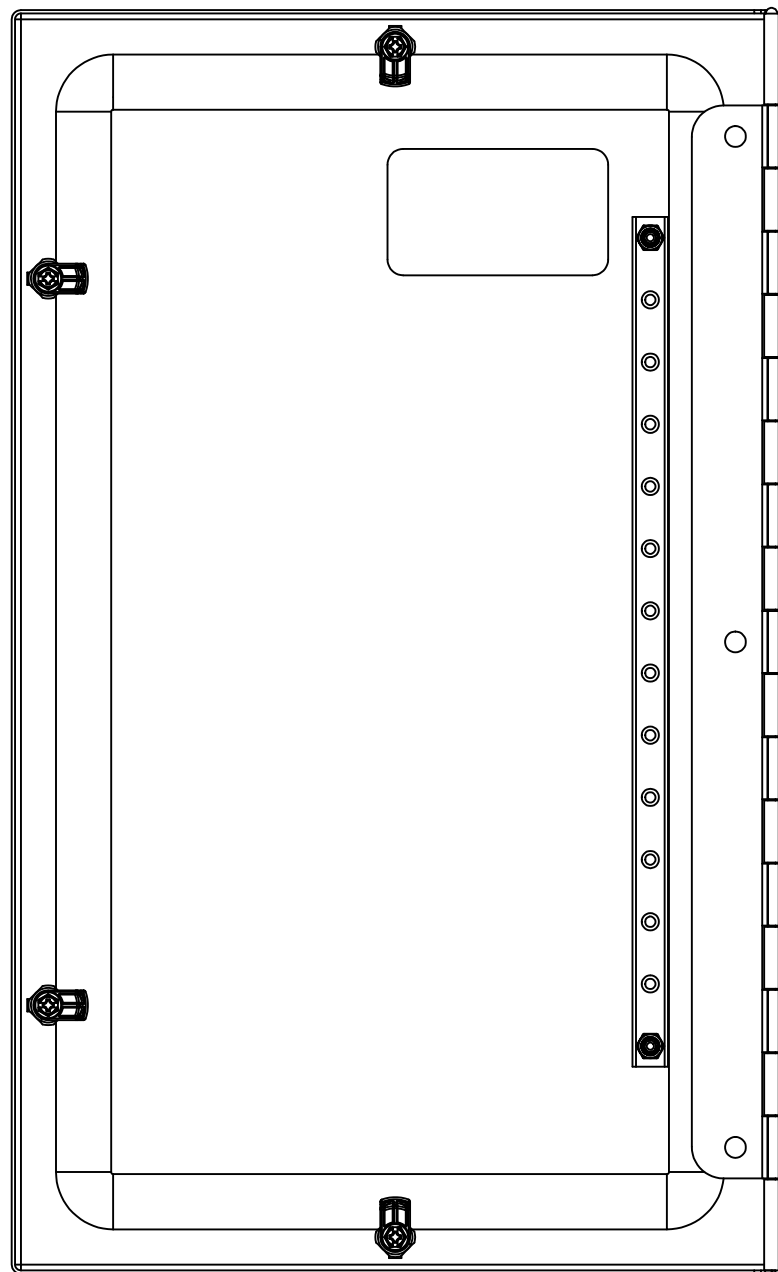
| | | |
|--|---------------------------|---|
|  Tél: (450) 979-4373 Fax: (450) 979-4626 www.exmweb.com | | Flatness Aplatissement Max 3.0mm Projection  |
| Customer Client | Date | |
| Drawn By Dessiné Par | BoxCad: BoxCad | Date 04-Feb-20 |
| Material Matière | 16 Ga H.R.P. & O. (1.4mm) | |
| Color Couleur | Asa-61 Grey | Finish Fini Smooth |
| Description | Detail Rev. | |
| 5412ESEL 20" x 12" x 6" Body | | |
| Part Number Numéro Pièce | Rev. 0 | 7 / 7 |
| 5412ESEL201206B | | |

This drawing is confidential and must not be reproduced or used without the consent of EXM

Ce dessin est confidentiel et ne doit pas être reproduit ou utilisé sans le consentement de EXM



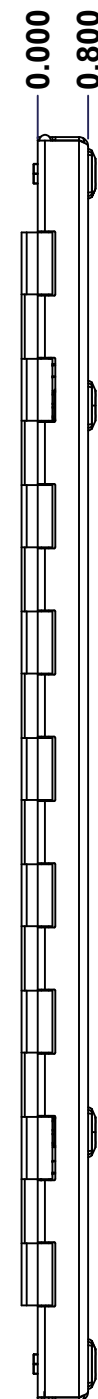
TOP



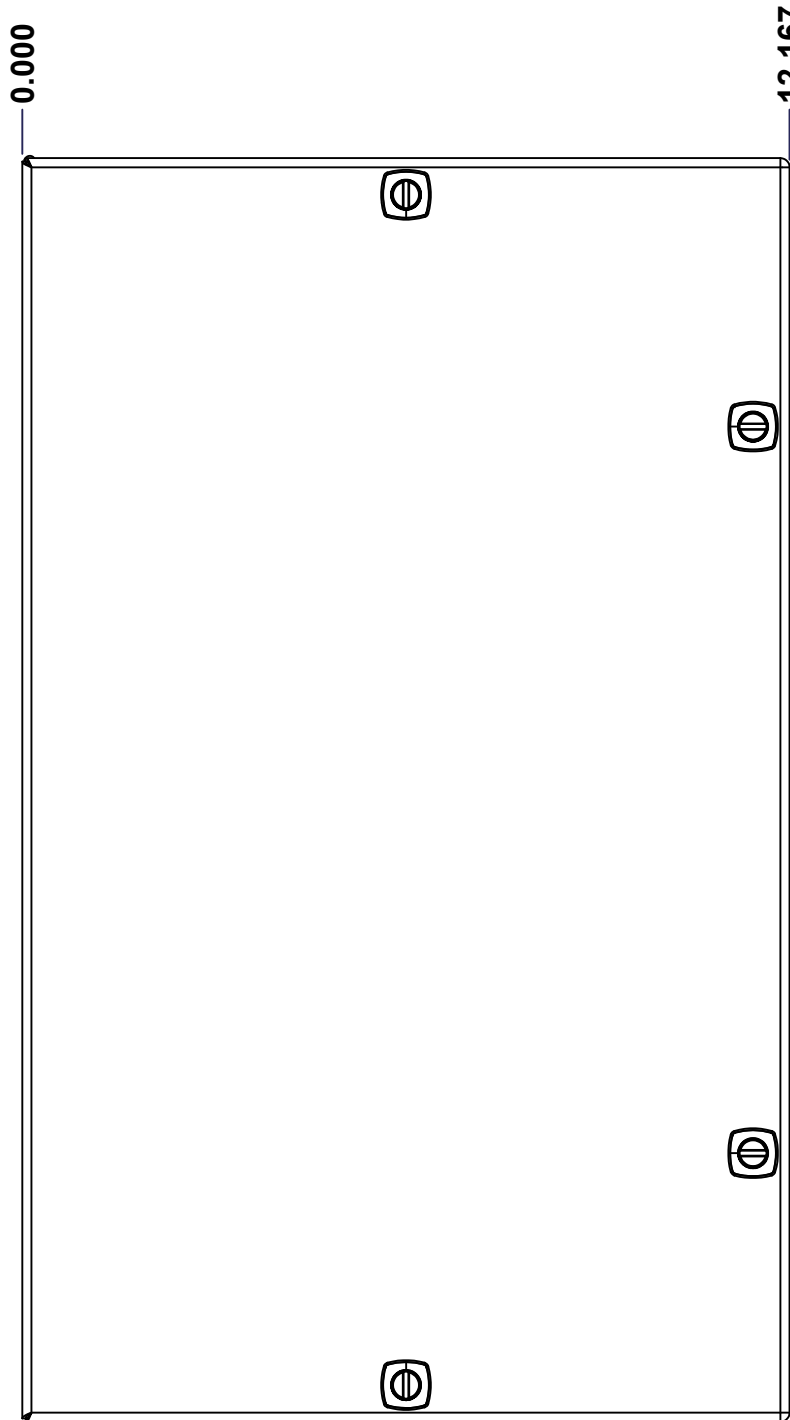
BACK



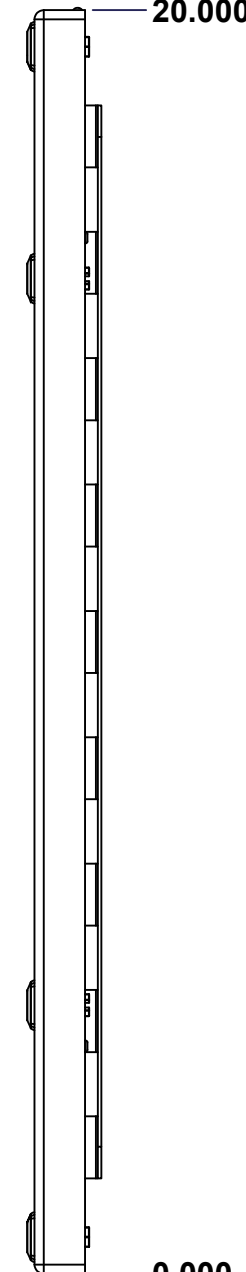
BOTTOM



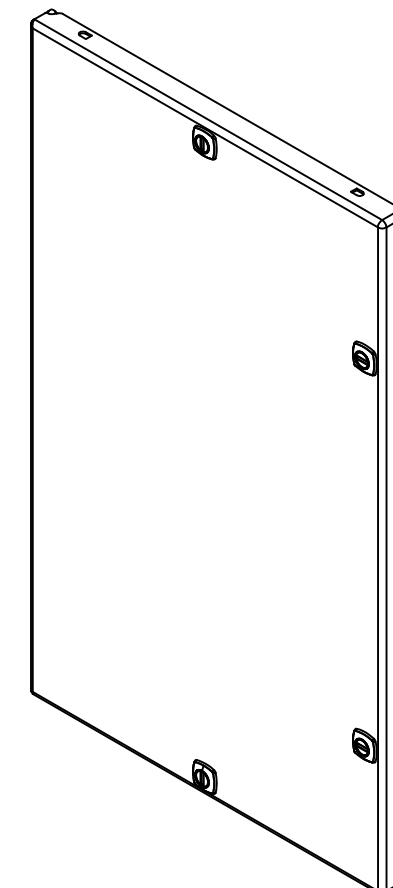
LEFT



FRONT




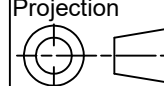
RIGHT



Isometric View



| No. | Revisions | Date | By/Par |
|-----|-----------|------|--------|
| | | | |
| | | | |
| | | | |
| | | | |

| | | |
|--|---------------------------|---|
|  Tél: (450) 979-4373 Fax: (450) 979-4626 www.exmweb.com | | Flatness Aplatissement Max 3.0mm Projection  |
| Customer Client | Date | |
| Drawn By Dessiné Par | BoxCad: BoxCad | Date 04-Feb-20 |
| Material Matière | 16 Ga H.R.P. & O. (1.4mm) | |
| Color Couleur | Asa-61 Grey | Finish Fini Smooth |
| Description | Detail Rev. | |
| 5412ESEL 20" x 12" Cover | | |
| Part Number Numéro Pièce | Rev. 0 | 1 / 3 |
| 5412ESEL201206C | | |

SEE BILL OF MATERIAL ON LAST PAGE

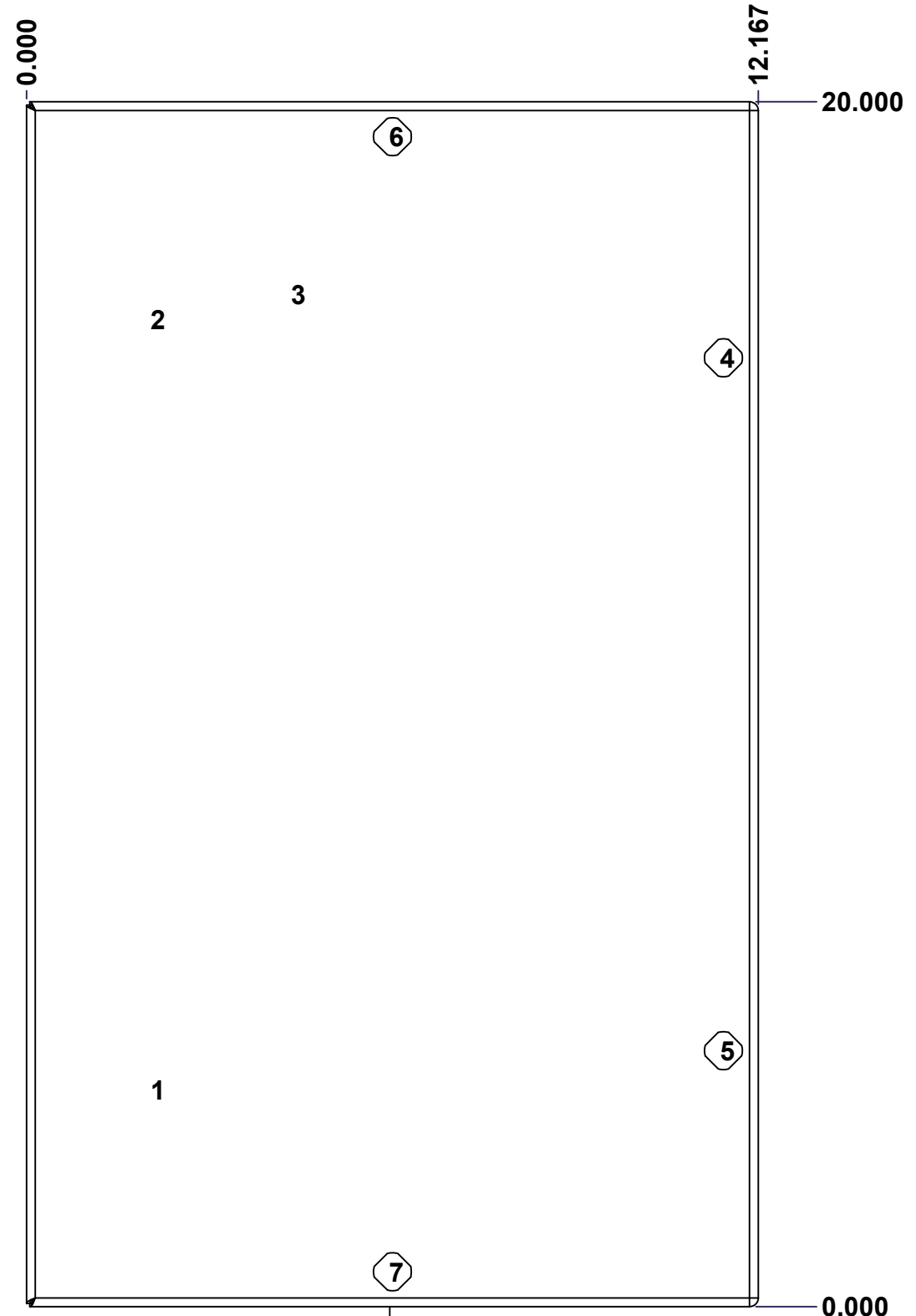
This drawing is confidential and must not be reproduced or used without the consent of EXM

Ce dessin est confidentiel et ne doit pas être reproduit ou utilisé sans le consentement de EXM

STANDARD FEATURES ARE NOT LISTED IN THIS HOLE TABLE

HOLE TABLE - FRONT VIEW (CUSTOM FEATURE ONLY)

| CUT-OUT | XDIM | YDIM | DESCRIPTION |
|---------|--------|--------|---------------------------|
| 1 | 2.122 | 3.602 | STUD M6 x 18mm (Inside) |
| 2 | 2.122 | 16.398 | STUD M6 x 18mm (Inside) |
| ----- | | | |
| 3 | 4.458 | 16.803 | LABEL_EXM (Inside) |
| 4 | 11.587 | 15.750 | LOCK 880 SCQ5-SL @ 180.0° |
| 5 | 11.587 | 4.250 | LOCK 880 SCQ5-SL @ 180.0° |
| 6 | 6.084 | 19.420 | LOCK 880 SCQ5-SL @ 270.0° |
| 7 | 6.084 | 0.580 | LOCK 880 SCQ5-SL @ 90.0° |



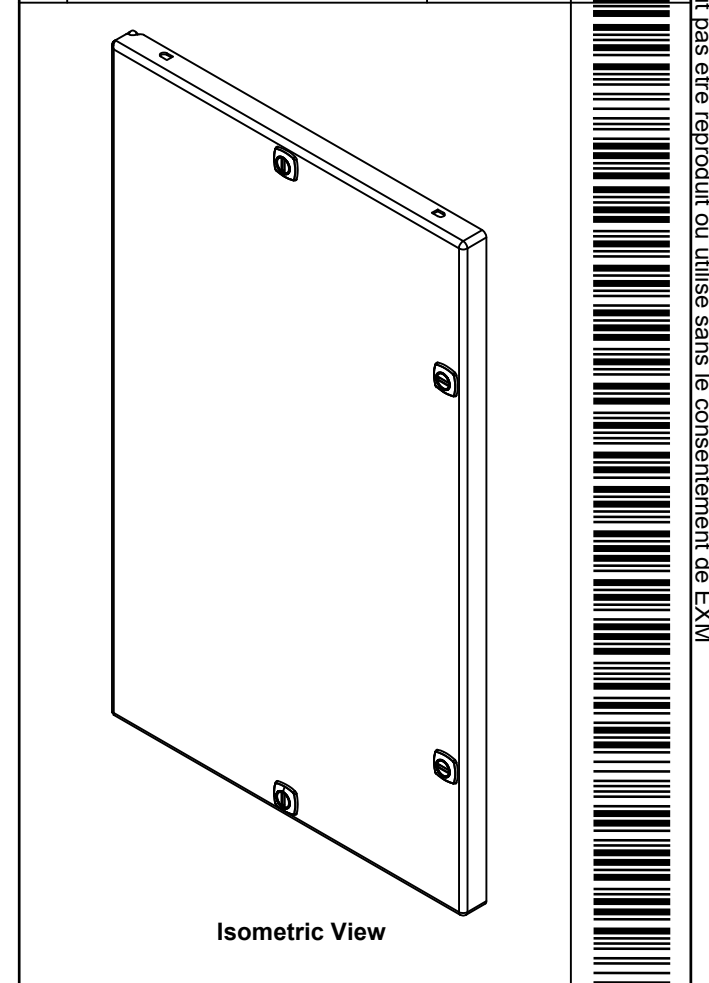
FRONT

| | | | |
|--|-----------------------------|----------|--------|
| | Description | Status | |
| | 5412ESEL 20" x 12" Cover | (NULL) | |
| | Part Number Numéro Pièce | Rev. | |
| | 5412ESEL201206C | 0 | 2 3 |


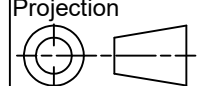
This drawing is confidential and must not be reproduced or used without the consent of EXM

Ce dessin est confidentiel et ne doit pas être reproduit ou utilisé sans le consentement de EXM

| No. | Revisions | Date | By/Par |
|-----|-----------|------|--------|
| | | | |
| | | | |
| | | | |
| | | | |
| | | | |

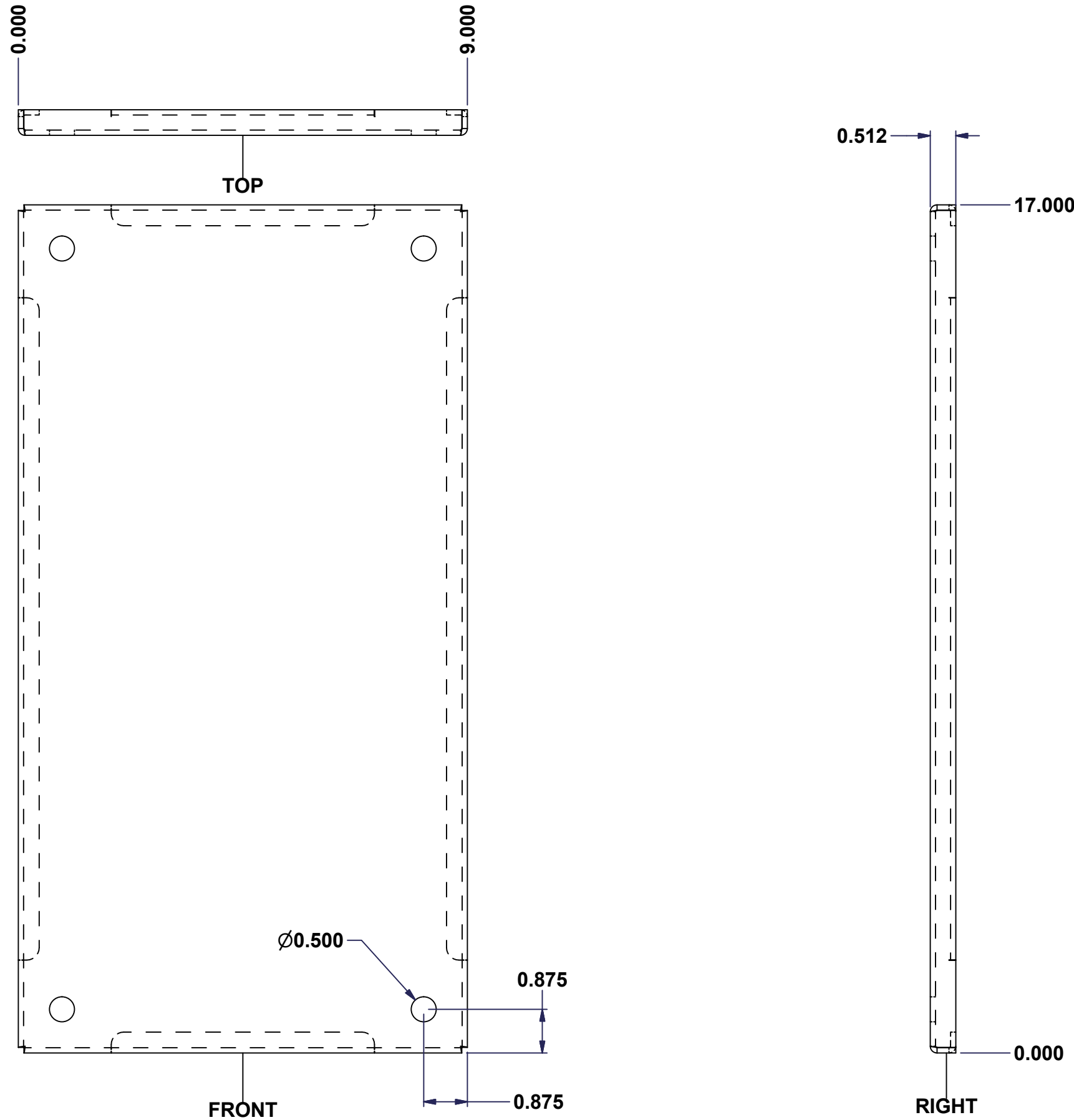


| Qty | Part Name | Rev | Description |
|------------|-----------------------|-----|---|
| 1 | STK-S-00100 | 0 | 3.5" x 2" Silver Milar Flexcon Sticker |
| 1 | STK-P-02400S | 0 | Powder Paint (Asa-61 Grey / Smooth) |
| 2 | STK-Q-16055 | 1 | M6 x 18mm Stud (No Paint Cap Required) |
| 4 | STK-A-79955 | 2 | 5412 ESEL Plastic Clip-in 1/4 Turn Lock |
| 1 | MC_5412ESEL201206HP-P | 0 | 5412ESEL 20" x 12" Cover Part |
| 1 | MC_5412ESEL201206H-P | 0 | 5412ESEL 20" x 12" Cover Part |
| 1 | STK-Q-46020-16 | 5 | 5412 ES Vertical Door Stiffener 16" |
| 1 | MC_5412ESEL201206G | 0 | 5412ESEL 20" x 12" Cover Gasket Part |
| 1 | MC_5412ESEL201206C-P | 0 | 5412ESEL 20" x 12" Cover Part |
| 2 | STK-Q-07220 | 1 | M6 Nylon Insert Lock Nut |
| Parts List | | | |

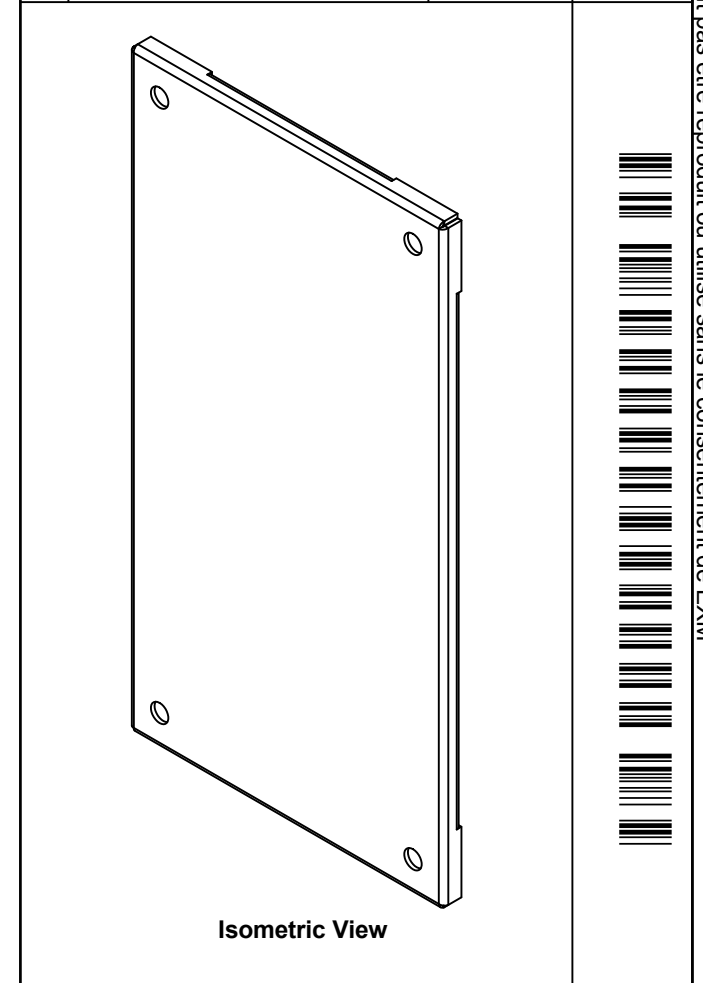
| | | |
|--|-----------------------|---|
|  Tél: (450) 979-4373 Fax: (450) 979-4626 www.exmweb.com | | Flatness Aplatissement Max 3.0mm Projection  |
| Customer Client | | Date |
| Drawn By / Dessiné Par: BoxCad: BoxCad | | Date: 04-Feb-20 |
| Material / Matière: 16 Ga H.R.P. & O. (1.4mm) | | |
| Color / Couleur: Asa-61 Grey | Finish / Fini: Smooth | |
| Description: 5412ESEL 20" x 12" Cover | | Detail Rev. |
| Part Number / Numéro Pièce: 5412ESEL201206C | | Rev. 3 |
| | | 0 / 3 |

This drawing is confidential and must not be reproduced or used without the consent of EXM

Ce dessin est confidentiel et ne doit pas être reproduit ou utilisé sans le consentement de EXM



| No. | Revisions | Date | By/Par |
|-----|-----------|------|--------|
| | | | |
| | | | |
| | | | |
| | | | |
| | | | |



| | | |
|--|---------------------------|------------------------------|
| Tél: (450) 979-4373 Fax: (450) 979-4626 www.exmweb.com | Flatness Aplatissement | Max 3.0mm |
| | Projection | |
| Customer Client | Date | |
| Drawn By Dessiné Par | BoxCad: nickz | Date 01/03/2017 |
| Material Matière | 12 Ga Galvanized (2.5mm) | |
| Color Couleur | See Part List | Finish Fini See Part List |
| Description | Detail Rev. | |
| 885SP 20" x 12" Inner Panel Part | | |
| Part Number Numéro Pièce | Rev. | 1 |
| 885SP2012G | | 0 |

| Qty | Part Number | Rev | Description | Material | Color | Finish |
|-----|--------------|-----|----------------------------------|--------------------------|-----------|------------|
| 1 | 885SP2012G-P | 0 | 885SP 20" x 12" Inner Panel Part | 12 Ga Galvanized (2.5mm) | Unpainted | Galvanized |

Parts List