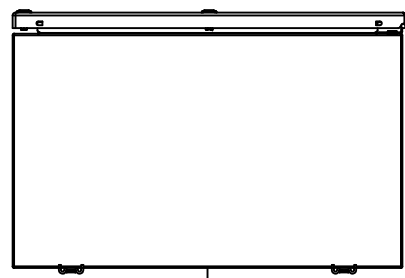
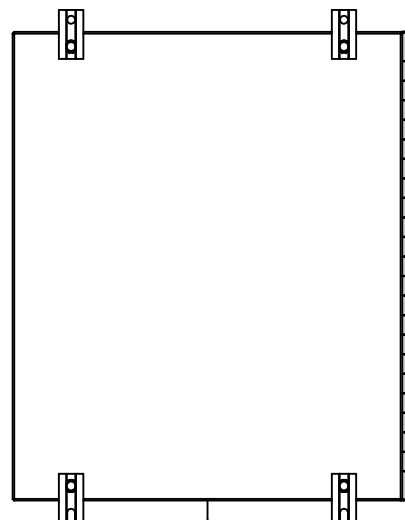


This drawing is confidential and must not be reproduced or used without the consent of EXM

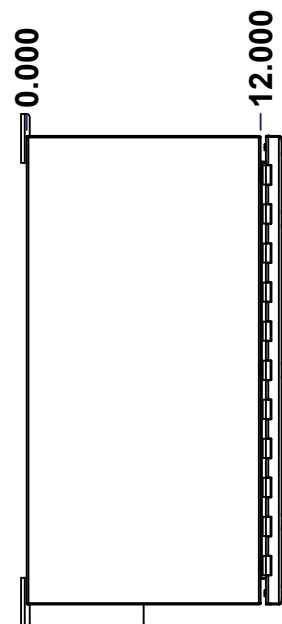
Ce dessin est confidentiel et ne doit pas être reproduit ou utilisé sans le consentement de EXM



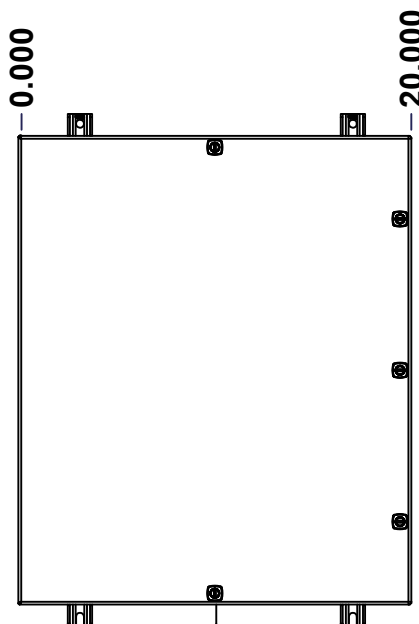
TOP



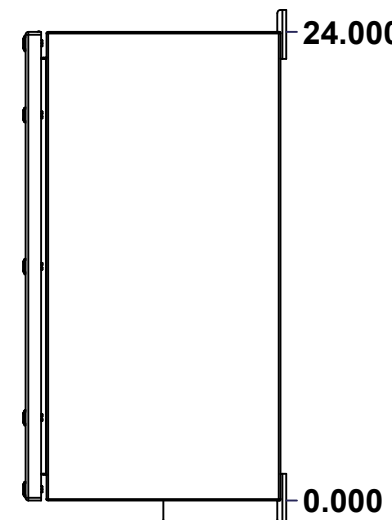
BACK



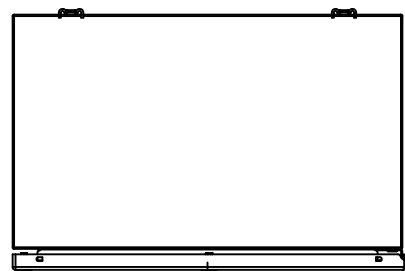
LEFT



FRONT

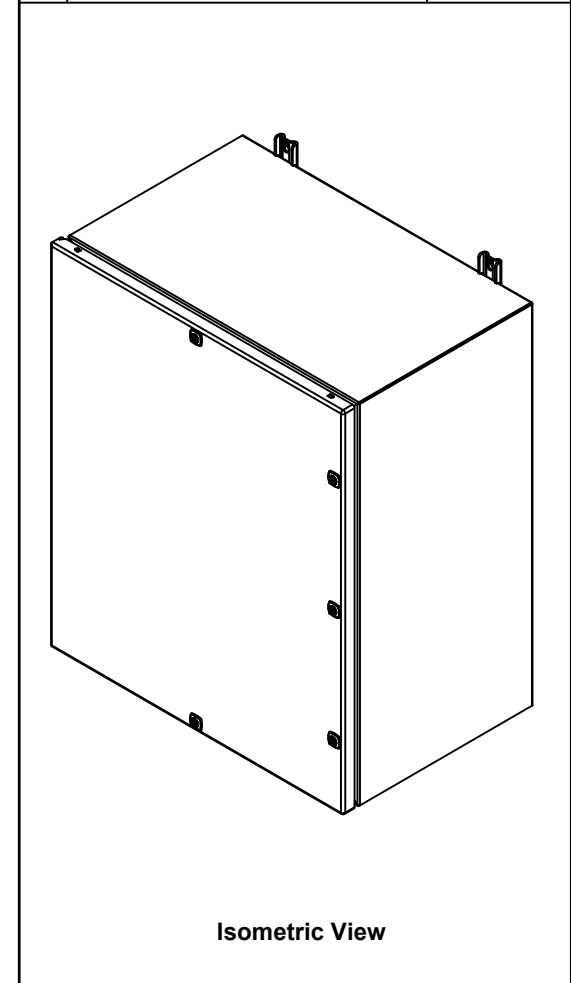


RIGHT



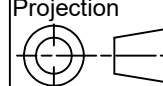


BOTTOM

No.	Revisions	Date	By/Par



Isometric View

 Tél: (450) 979-4373 Fax: (450) 979-4626 <a href="http://www.exmweb.com">www.exmweb.com</a>		Flatness Aplatissement  Max 3.0mm Projection 
Customer Client	Date	
Drawn By Dessiné Par	BoxCad: BoxCad	Date 28-Jan-20
Material Matière	16 Ga H.R.P. & O. (1.4mm)	
Color Couleur	Asa-61 Grey	Finish Finis Smooth
Description	Detail Rev.	
5412ESEL 24" x 20" x 12" Assembly		
Part Number Numéro Pièce	Rev.	1
5412ESEL242012	0	2

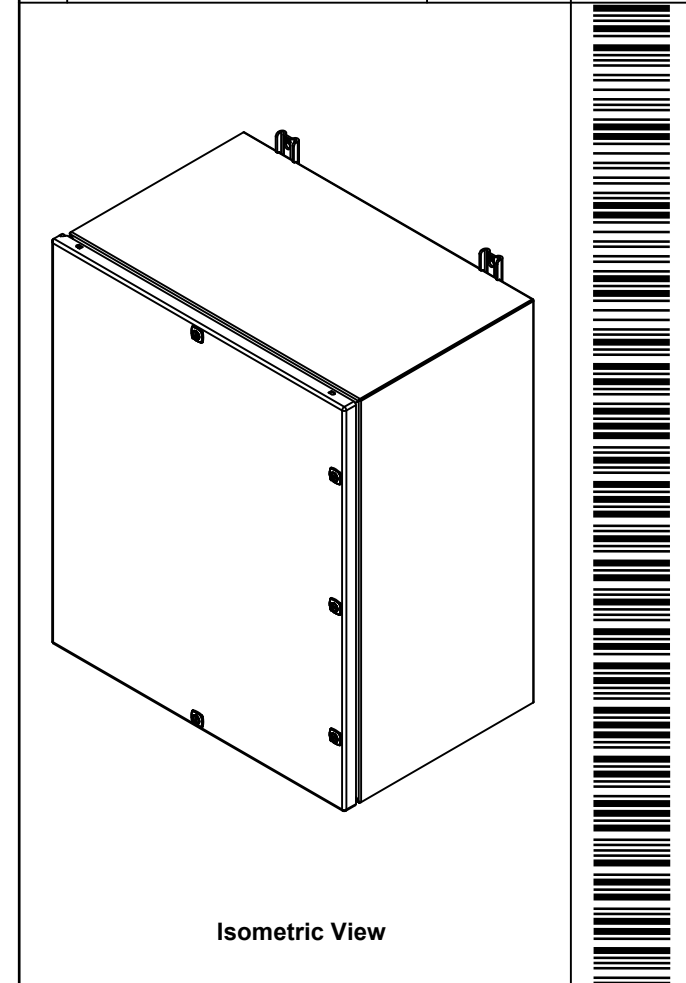
SEE BILL OF MATERIAL ON LAST PAGE



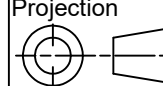
This drawing is confidential and must not be reproduced or used without the consent of EXM

Ce dessin est confidentiel et ne doit pas être reproduit ou utilisé sans le consentement de EXM

NOTE	
ITEM	DESCRIPTION
1	NEMA 4/12 Enclosure
2	C/W Standard ground studs on box and cover
3	W/O Standard door stiffener
4	C/W Standard inner panel (Sold separately)
5	C/W Standard inner panel mounting studs
6	C/W 885 ESMF1_OPEN Sold separately (Kit)
7	C/W 885 ESMF1_CLOSE Sold separately (Kit)

No.	Revisions	Date	By/Par



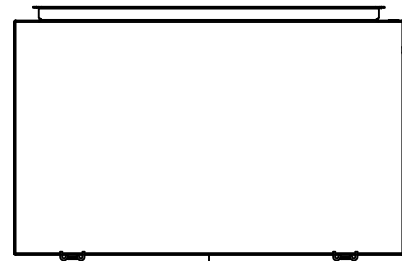
 Tél: (450) 979-4373 Fax: (450) 979-4626 <a href="http://www.exmweb.com">www.exmweb.com</a>		Flatness Aplatissement  Max 3.0mm Projection 
Customer Client	Date	
Drawn By Dessiné Par	BoxCad: BoxCad	Date 28-Jan-20
Material Matière	16 Ga H.R.P. & O. (1.4mm)	
Color Couleur	Asa-61 Grey	Finish Fini Smooth
Description	Detail Rev.	
5412ESEL 24" x 20" x 12" Assembly		
Part Number Numéro Pièce	5412ESEL242012	Rev. 0

PACKING		
ITEM	QTY	DESCRIPTION
Cardboard sleeve	2	Top and Bottom
Cardboard strip	2	Between back of enclosure and inner panel
Plastic bag	1	To protect cover surface and inside gasket
Plastic strap - Black	2	To Squeeze the 2 cardboard sleeve together
Packaging label	1	White label with product number

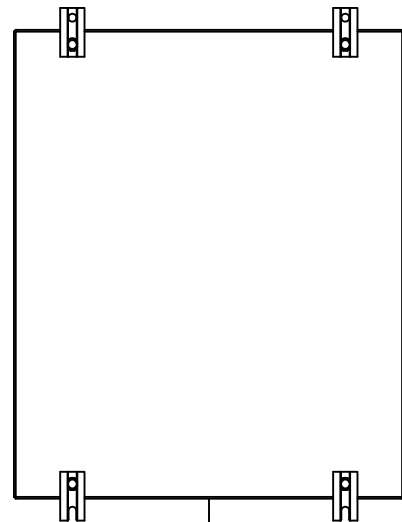
Qty	Part Number	Rev	Description
1	880 PP	6	Self Adhesive Print Pocket
1	STK-K-01800	5	5412 ES Accessory Kit
1	885SP2420G	0	885SP 24" x 20" Inner Panel Part
1	5412ESEL242012_mcC	0	5412ESEL 24" x 20" Cover
4	STK-Q-07310	2	Flange Lock Nut M8
4	STK-Q-07610	8	M8 Plastic Spacer 22.2mm
1	5412ESEL242012_mcB	0	5412ESEL 24" x 20" x 12" Body
3	STK-Q-04050-10	8	M6 x 10mm Hexagon Socket Head Machine Screw with Nyseal
Parts List			

This drawing is confidential and must not be reproduced or used without the consent of EXM

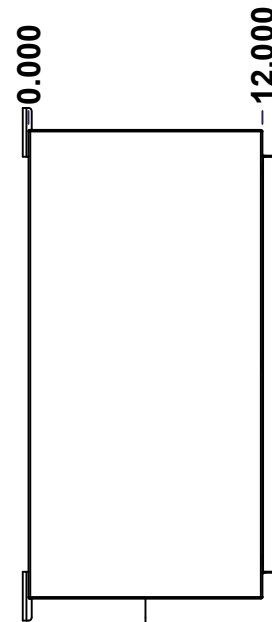
Ce dessin est confidentiel et ne doit pas être reproduit ou utilisé sans le consentement de EXM



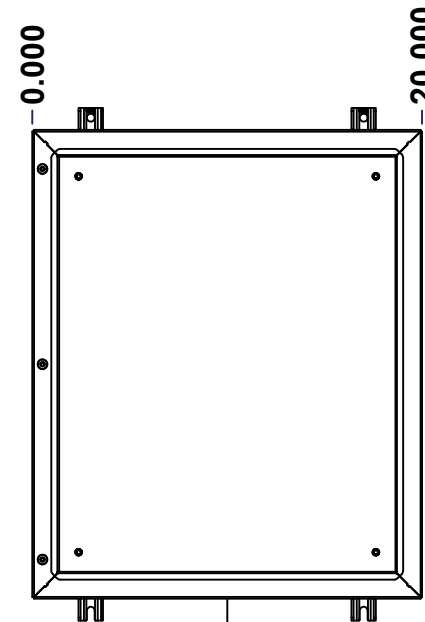
TOP



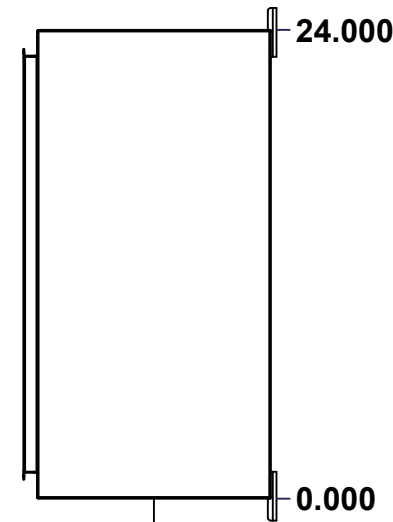
BACK



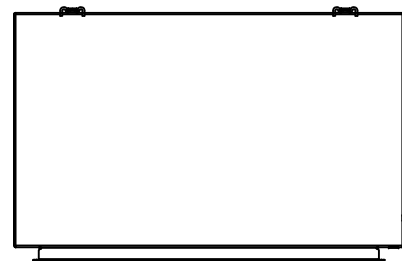
LEFT



FRONT

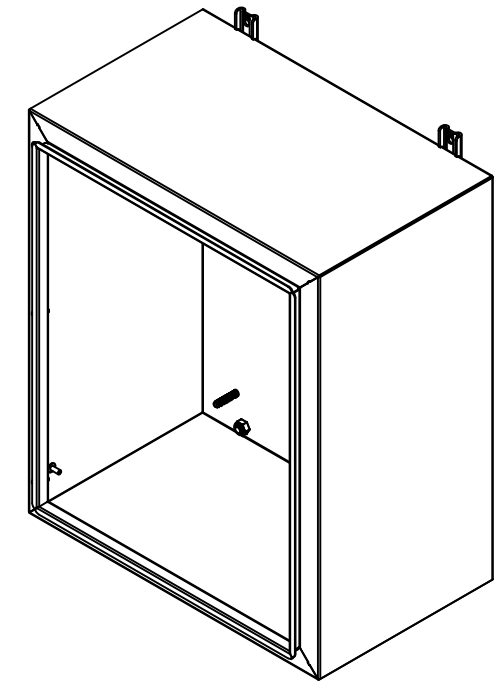


RIGHT



BOTTOM

No.	Revisions	Date	By/Par



Isometric View



Tél: (450) 979-4373  
 Fax: (450) 979-4626  
[www.exmweb.com](http://www.exmweb.com)

Flatness  
 Aplatissement  
 Max 3.0mm  
 Projection

Customer Client	Date
Drawn By / Dessiné Par: BoxCad: BoxCad	Date: 28-Jan-20
Material / Matière: 16 Ga H.R.P. & O. (1.4mm)	
Color / Couleur: Asa-61 Grey	Finish / Fini: Smooth
Description: 5412ESEL 24" x 20" x 12" Body	
Part Number / Numéro Pièce: 5412ESEL242012B	Detail Rev. / Rev. 1/7

SEE BILL OF MATERIAL ON LAST PAGE

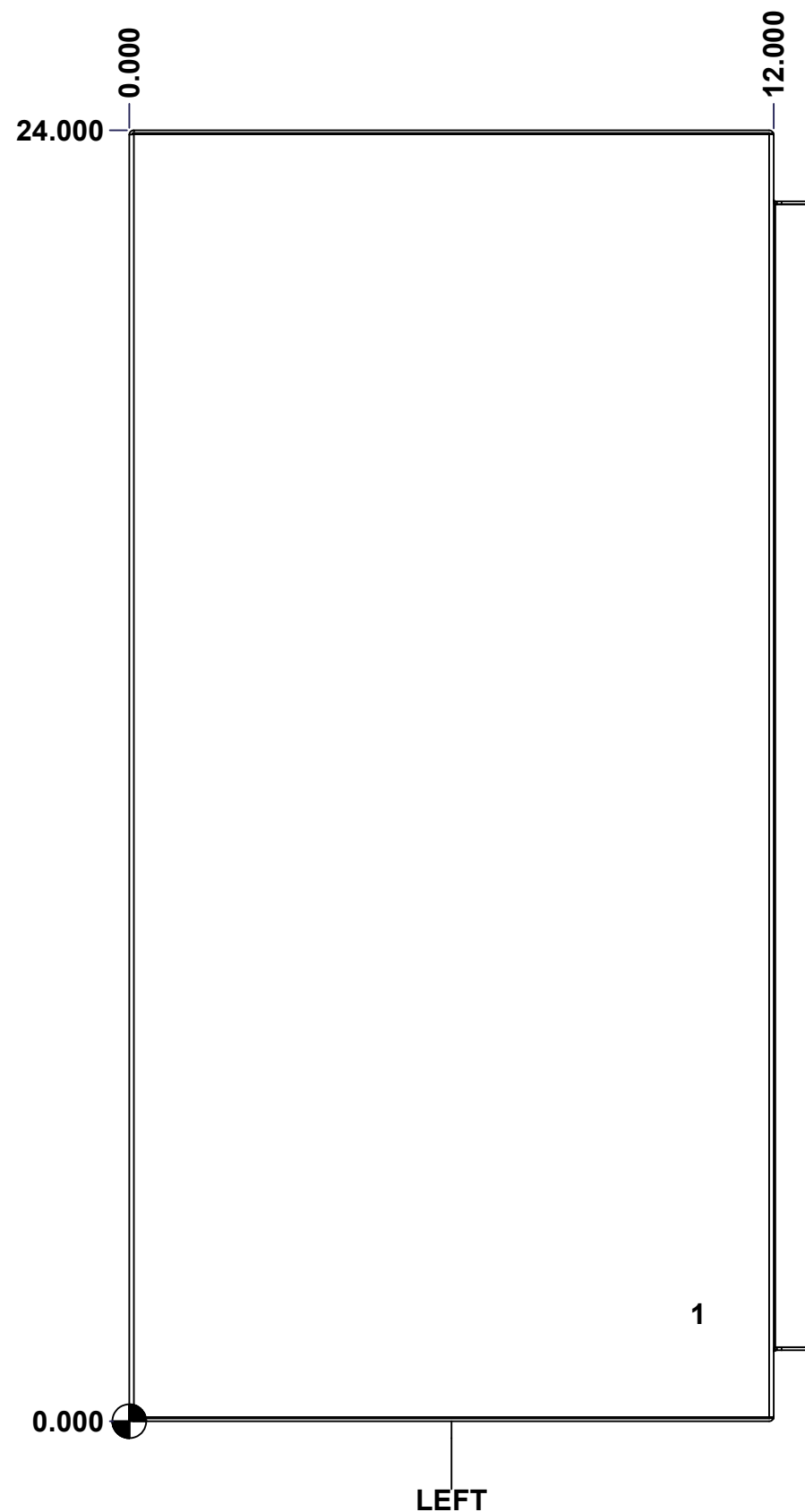
This drawing is confidential and must not be reproduced or used without the consent of EXM

Ce dessin est confidentiel et ne doit pas être reproduit ou utilisé sans le consentement de EXM

**STANDARD FEATURES ARE NOT LISTED IN THIS HOLE TABLE**

**HOLE TABLE - LEFT VIEW (CUSTOM FEATURE ONLY)**

CUT-OUT	XDIM	YDIM	DESCRIPTION
1	10.500	2.000	GND STUD M6 x 16mm (Inside)



	Description		Status	
	5412ESEL 24" x 20" x 12" Body			
Part Number Numéro Pièce		Rev.	5	7
<b>5412ESEL242012B</b>		<b>0</b>		

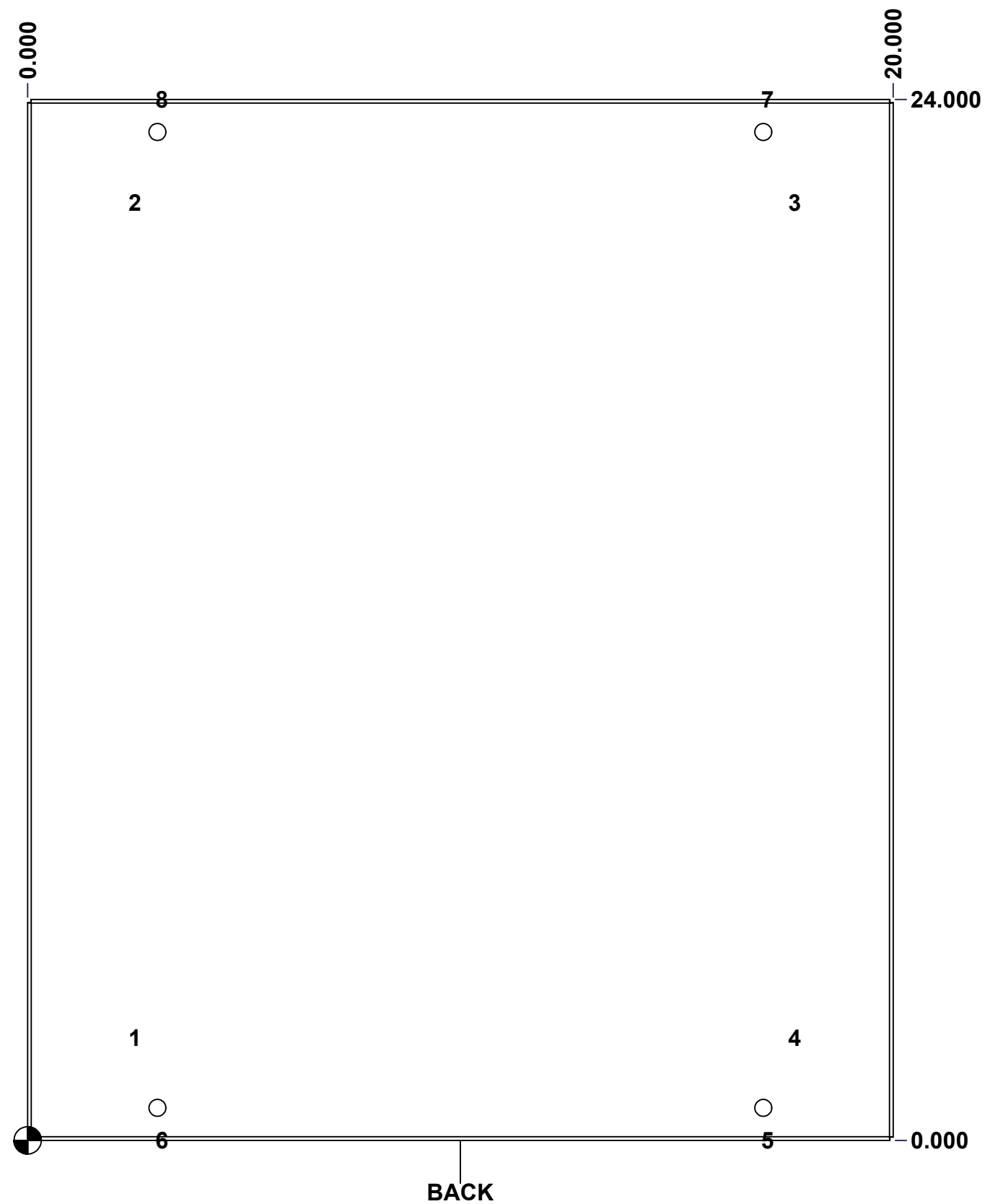
This drawing is confidential and must not be reproduced or used without the consent of EXM

Ce dessin est confidentiel et ne doit pas être reproduit ou utilisé sans le consentement de EXM

**STANDARD FEATURES ARE NOT LISTED IN THIS HOLE TABLE**

**HOLE TABLE - BACK VIEW (CUSTOM FEATURE ONLY)**

CUT-OUT	XDIM	YDIM	DESCRIPTION
1	2.375	2.375	IP STUD M8 x 35mm (Inside)
2	2.375	21.625	IP STUD M8 x 35mm (Inside)
3	17.625	21.625	IP STUD M8 x 35mm (Inside)
4	17.625	2.375	IP STUD M8 x 35mm (Inside)
-----			
5	17.000	0.000	FOOT 885 ESMF1_OPEN
6	3.000	0.000	FOOT 885 ESMF1_OPEN
7	17.000	24.000	FOOT 885 ESMF1_CLOSE
8	3.000	24.000	FOOT 885 ESMF1_CLOSE



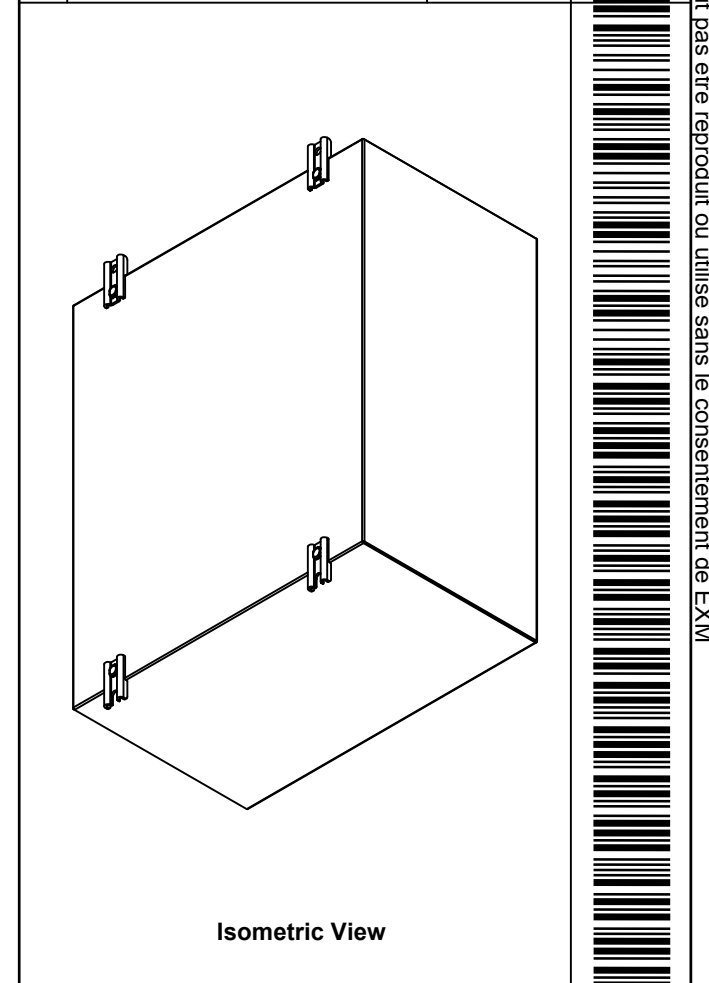
BACK

	Description	Status	
	5412ESEL 24" x 20" x 12" Body		
	Part Number	Rev.	6
	Numéro Pièce	<b>0</b>	7
	<b>5412ESEL242012B</b>		



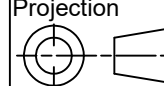
This drawing is confidential and must not be reproduced or used without the consent of EXM

Ce dessin est confidentiel et ne doit pas être reproduit ou utilisé sans le consentement de EXM

No.	Revisions	Date	By/Par



Qty	Part Number	Rev	Description
1	STK-Q-16080	0	Ground Stud M6 x 16mm
3	RIVET_NUT_SS_M6_FH_CE	0	Stainless Steel Rivet Nut M6 (Low Profile Close End)
1	STK-P-02400S	0	Powder Paint (Asa-61 Grey / Smooth)
4	STK-Q-16005	1	Stud M8 x 35 (No Paint Cap Required)
1	5412ESEL242012_mcB-P	0	5412ESEL 24" x 20" x 12" Body Part
2	885 ESMF1_CLOSE	0	885 ESMF1 Mounting Foot (Closed Hole)
2	885 ESMF1_OPEN	0	885 ESMF1 Mounting Foot (Opened Hole)
Parts List			

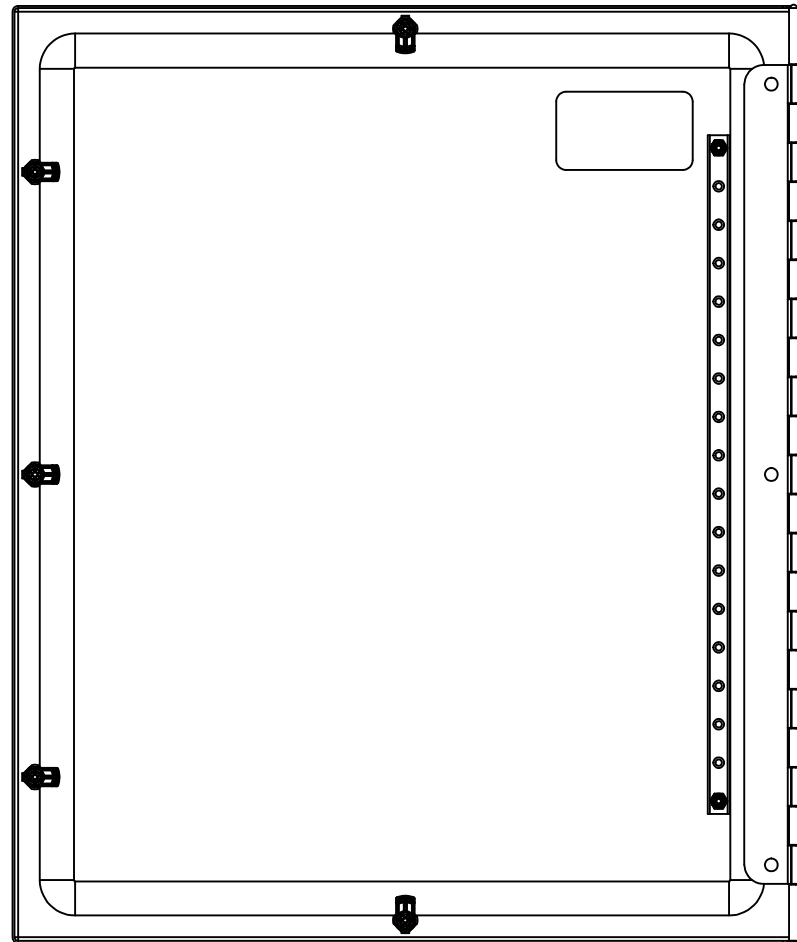
 Tél: (450) 979-4373 Fax: (450) 979-4626 <a href="http://www.exmweb.com">www.exmweb.com</a>		Flatness Aplatissement  Max 3.0mm
Customer Client Drawn By / Dessiné Par: BoxCad: BoxCad		Projection 
Date Date: 28-Jan-20		Material / Matière: 16 Ga H.R.P. & O. (1.4mm)
Color / Couleur: Asa-61 Grey		Finish / Fini: Smooth
Description: 5412ESEL 24" x 20" x 12" Body		Detail Rev.
Part Number / Numéro Pièce: <b>5412ESEL242012B</b>		Rev. 7 0

This drawing is confidential and must not be reproduced or used without the consent of EXM

Ce dessin est confidentiel et ne doit pas être reproduit ou utilisé sans le consentement de EXM



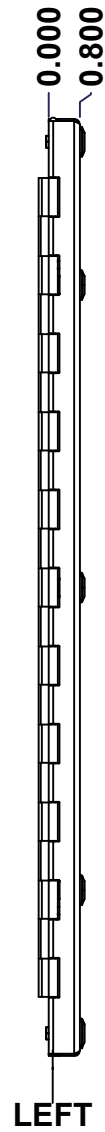
TOP



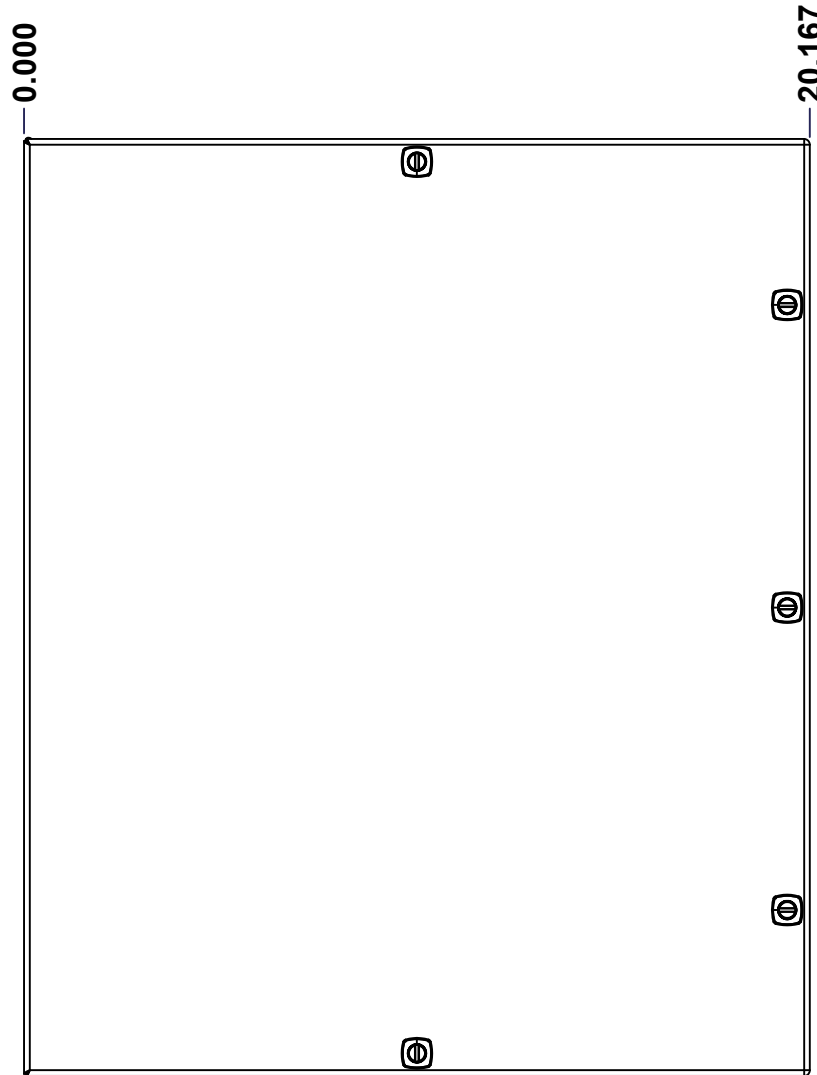
BACK



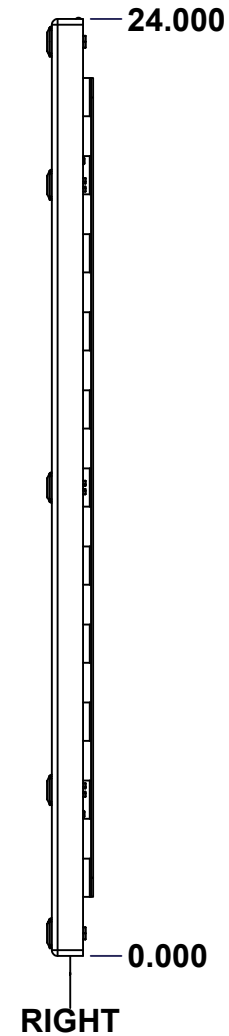
BOTTOM



LEFT

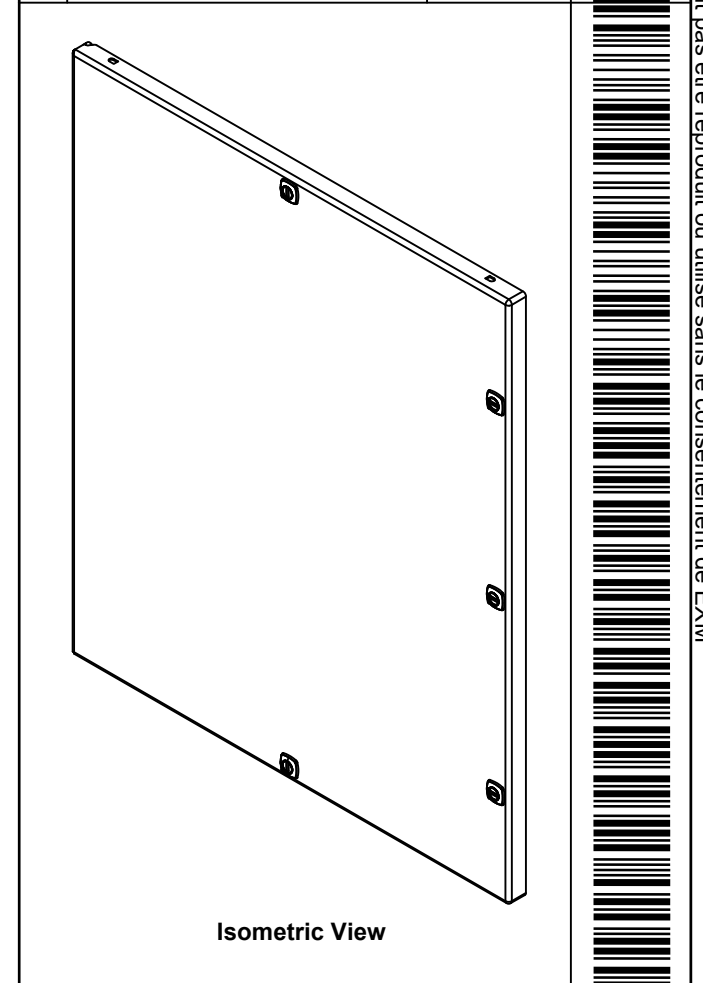


FRONT




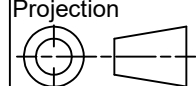
RIGHT

No.	Revisions	Date	By/Par



Isometric View



 Tél: (450) 979-4373 Fax: (450) 979-4626 <a href="http://www.exmweb.com">www.exmweb.com</a>		Flatness Aplatissement Max 3.0mm Projection 
Customer Client	Date	
Drawn By Dessiné Par	BoxCad: BoxCad	Date 28-Jan-20
Material Matière	16 Ga H.R.P. & O. (1.4mm)	
Color Couleur	Asa-61 Grey	Finish Fini Smooth
Description	Detail Rev.	
5412ESEL 24" x 20" Cover		
Part Number Numéro Pièce	Rev. 0	1 / 3
<b>5412ESEL242012C</b>		

SEE BILL OF MATERIAL ON LAST PAGE

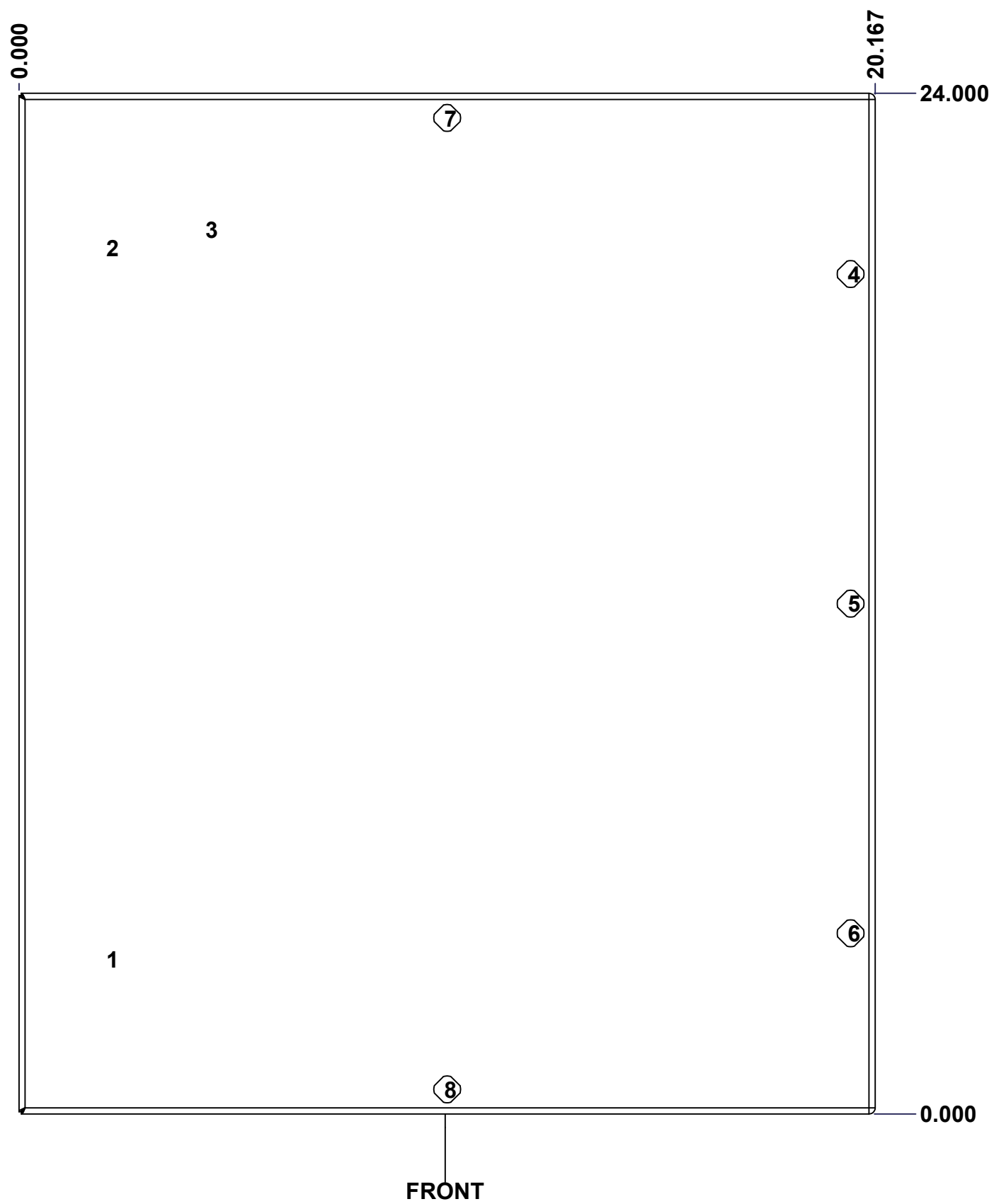
This drawing is confidential and must not be reproduced or used without the consent of EXM

Ce dessin est confidentiel et ne doit pas être reproduit ou utilisé sans le consentement de EXM

**STANDARD FEATURES ARE NOT LISTED IN THIS HOLE TABLE**

**HOLE TABLE - FRONT VIEW (CUSTOM FEATURE ONLY)**

CUT-OUT	XDIM	YDIM	DESCRIPTION
1	2.122	3.634	STUD M6 x 18mm (Inside)
2	2.122	20.366	STUD M6 x 18mm (Inside)
-----			
3	4.458	20.803	LABEL_EXM (Inside)
4	19.587	19.750	LOCK 880 SCQ5-SL @ 180.0°
5	19.587	12.000	LOCK 880 SCQ5-SL @ 180.0°
6	19.587	4.250	LOCK 880 SCQ5-SL @ 180.0°
7	10.084	23.420	LOCK 880 SCQ5-SL @ 270.0°
8	10.084	0.580	LOCK 880 SCQ5-SL @ 90.0°



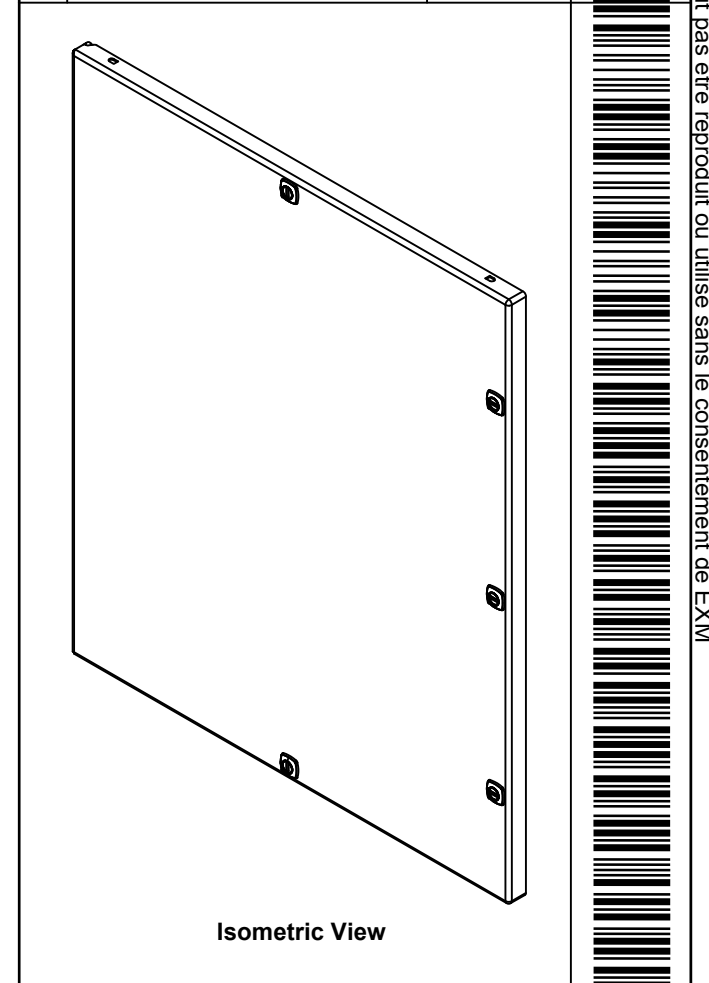
	Description	Status
	5412ESEL 24" x 20" Cover	(NULL)
	Part Number Numéro Pièce	Rev.
	<b>5412ESEL242012C</b>	<b>0</b>
		2
		3



This drawing is confidential and must not be reproduced or used without the consent of EXM

Ce dessin est confidentiel et ne doit pas être reproduit ou utilisé sans le consentement de EXM

No.	Revisions	Date	By/Par



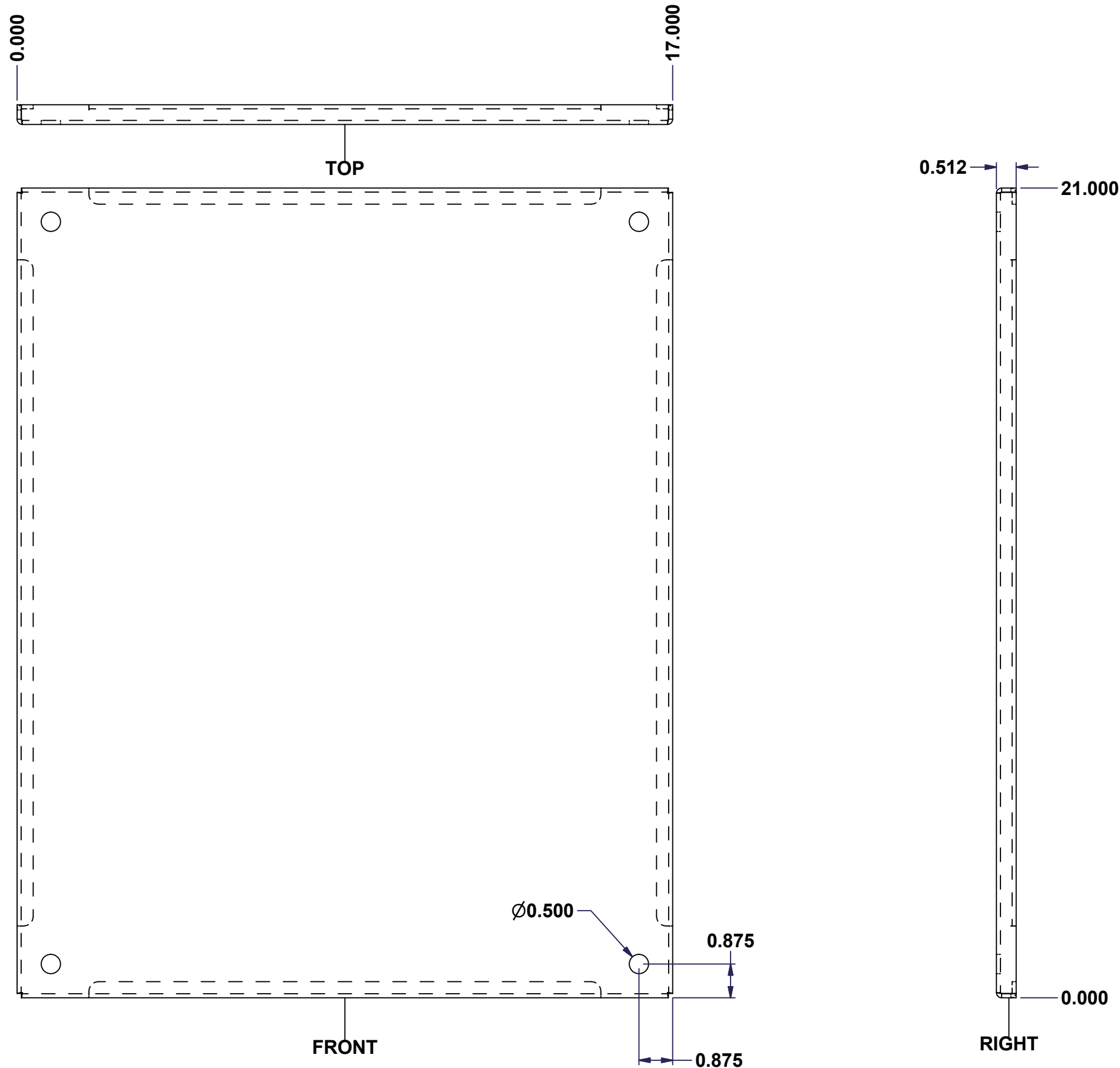
Qty	Part Name	Rev	Description
1	STK-S-00100	0	3.5" x 2" Silver Milar Flexcon Sticker
1	STK-P-02400S	0	Powder Paint (Asa-61 Grey / Smooth)
2	STK-Q-16055	1	M6 x 18mm Stud (No Paint Cap Required)
5	STK-A-79955	2	5412 ESEL Plastic Clip-in 1/4 Turn Lock
1	5412ESEL242012_mcHP-P	0	5412ESEL 24" x 20" Cover Part
1	5412ESEL242012_mcH-P	0	5412ESEL 24" x 20" Cover Part
1	STK-Q-46020-20	5	5412 ES Vertical Door Stiffener 20"
1	5412ESEL242012_mcG	0	5412ESEL 24" x 20" Cover Gasket Part
1	5412ESEL242012_mcC-P	0	5412ESEL 24" x 20" Cover Part
2	STK-Q-07220	1	M6 Nylon Insert Lock Nut

Parts List

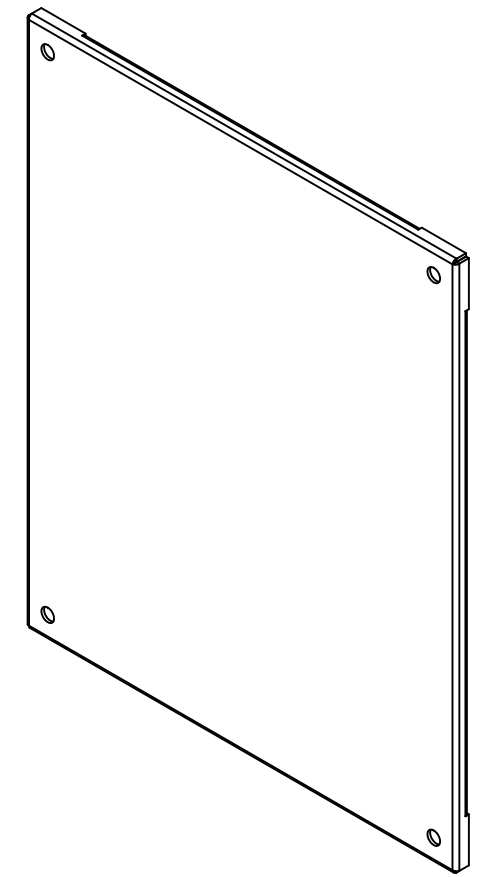
Tél: (450) 979-4373 Fax: (450) 979-4626 <a href="http://www.exmweb.com">www.exmweb.com</a>		Flatness Aplatissement Max 3.0mm
Customer Client Date		Projection 
Drawn By Dessiné Par BoxCad: BoxCad		Date 28-Jan-20
Material Matière 16 Ga H.R.P. & O. (1.4mm)		
Color Couleur Asa-61 Grey	Finish Fini Smooth	
Description 5412ESEL 24" x 20" Cover		Detail Rev.
Part Number Numéro Pièce <b>5412ESEL242012C</b>		Rev. 3 <b>0</b>

This drawing is confidential and must not be reproduced or used without the consent of EXM

Ce dessin est confidentiel et ne doit pas être reproduit ou utilisé sans le consentement de EXM



No.	Revisions	Date	By/Par



Isometric View



Tél: (450) 979-4373  
 Fax: (450) 979-4626  
[www.exmweb.com](http://www.exmweb.com)

Flatness  
Aplatissement  
Max 3.0mm  
Projection

Customer Client	Date
Drawn By / Dessiné Par: BoxCad: nickz	Date: 01/03/2017
Material / Matière: 12 Ga Galvanized (2.5mm)	
Color / Couleur: See Part List	Finish / Fini: See Part List

Qty	Part Number	Rev	Description	Material	Color	Finish
1	885SP2420G-P	0	885SP 24" x 20" Inner Panel Part	12 Ga Galvanized (2.5mm)	Unpainted	Galvanized

Parts List

Description: 885SP 24" x 20" Inner Panel Part		Detail Rev.	
Part Number / Numéro Pièce: <b>885SP2420G</b>	Rev.:	1	1