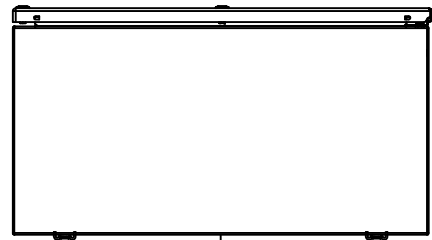
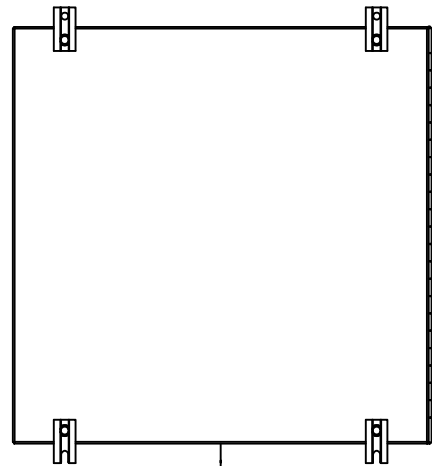


This drawing is confidential and must not be reproduced or used without the consent of EXM

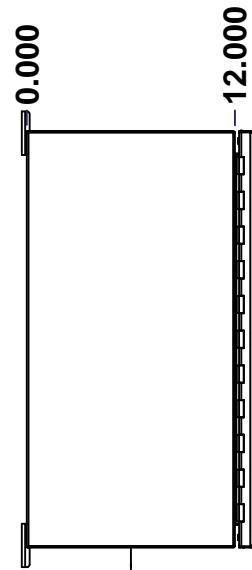
Ce dessin est confidentiel et ne doit pas être reproduit ou utilisé sans le consentement de EXM



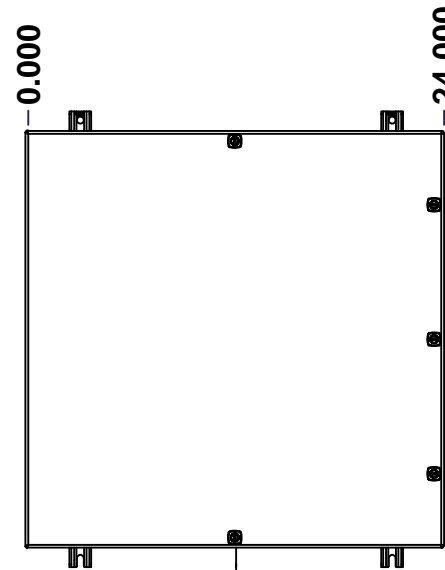
TOP



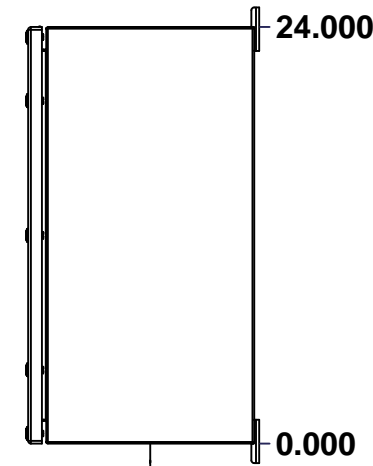
BACK



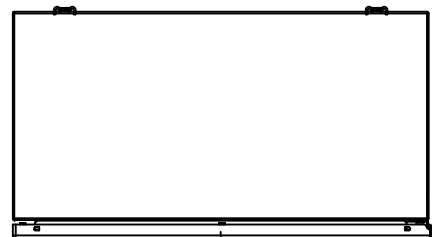
LEFT



FRONT

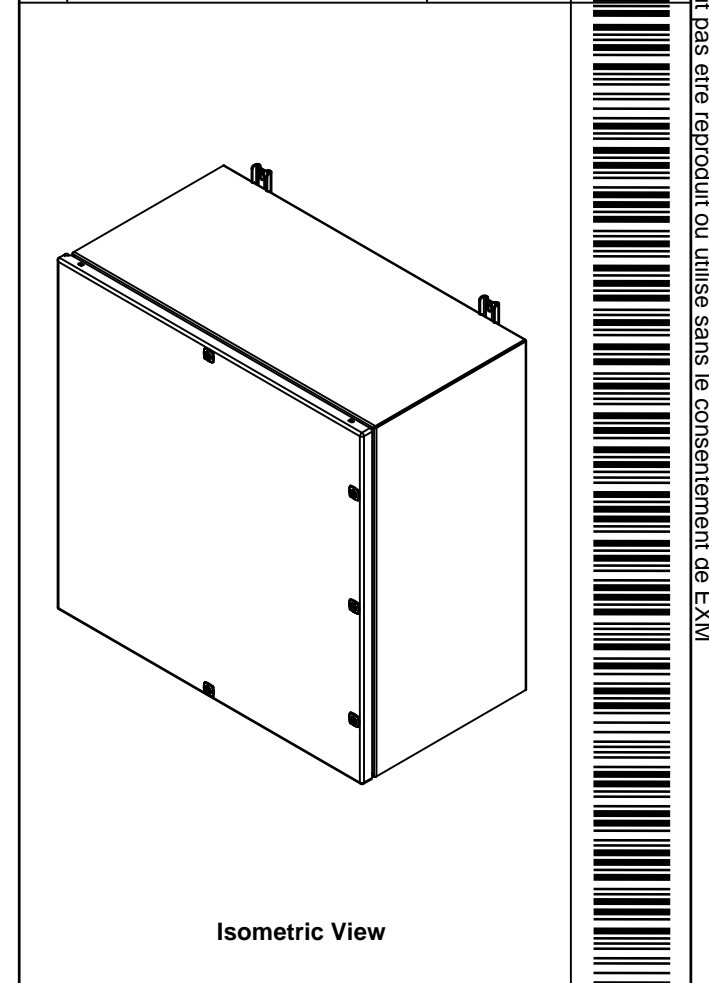



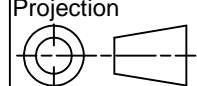
RIGHT



BOTTOM

No.	Revisions	Date	By/Par



 Tél: (450) 979-4373 Fax: (450) 979-4626 www.exmweb.com		Flatness Aplatissement Max 3.0mm Projection 
Customer Client	Date	
Drawn By Dessiné Par	BoxCad: BoxCad	Date 03-Mar-20
Material Matière	14 Ga H.R.P. & O. (1.7mm)	
Color Couleur	Asa-61 Grey	Finish Finis Smooth
Description	Detail Rev.	
5412ESEL 24" x 24" x 12" Assembly		
Part Number Numéro Pièce	Rev.	1
5412ESEL242412	0	2

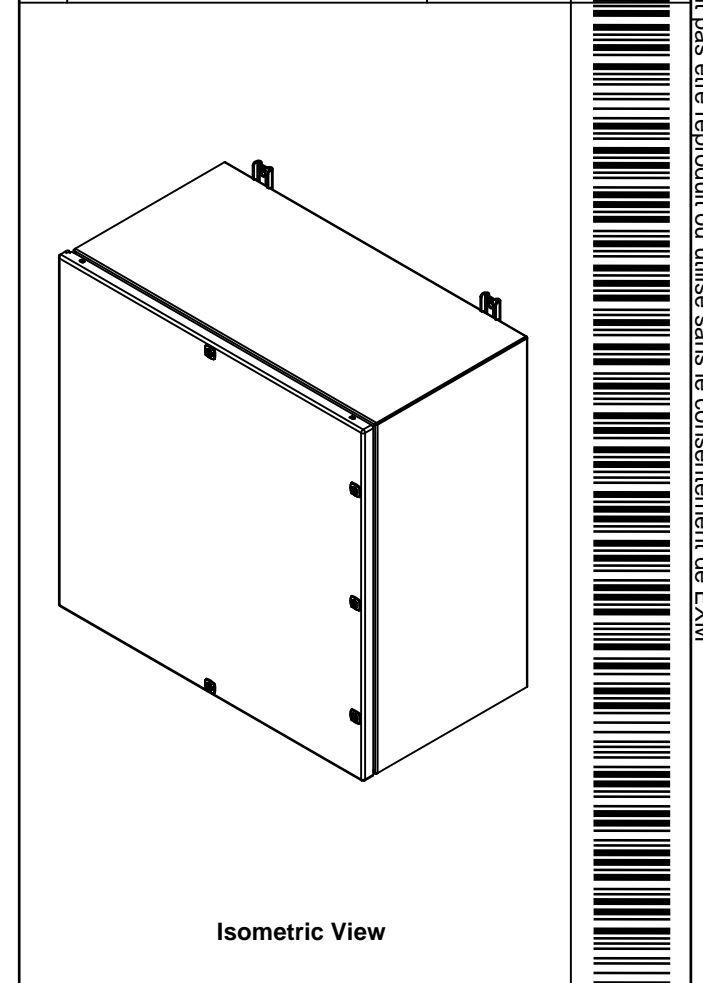
SEE BILL OF MATERIAL ON LAST PAGE


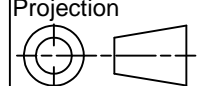
This drawing is confidential and must not be reproduced or used without the consent of EXM

Ce dessin est confidentiel et ne doit pas être reproduit ou utilisé sans le consentement de EXM

NOTE	
ITEM	DESCRIPTION
1	NEMA 4/12 Enclosure
2	C/W Standard ground studs on box and cover
3	W/O Standard door stiffener
4	C/W Standard inner panel (Sold separately)
5	C/W Standard inner panel mounting studs
6	C/W 885 ESMF1_OPEN Sold separately (Kit)
7	C/W 885 ESMF1_CLOSE Sold separately (Kit)

No.	Revisions	Date	By/Par



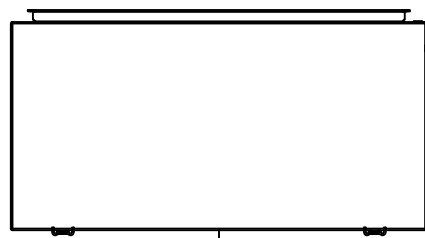
 Tél: (450) 979-4373 Fax: (450) 979-4626 www.exmweb.com		Flatness Aplatissement Max 3.0mm Projection 
Customer Client	Date	
Drawn By Dessiné Par	BoxCad: BoxCad	Date 03-Mar-20
Material Matière	14 Ga H.R.P. & O. (1.7mm)	
Color Couleur	Asa-61 Grey	Finish Fini Smooth
Description	5412ESEL 24" x 24" x 12" Assembly	
Part Number Numéro Pièce	5412ESEL242412	Rev. 2
		0

Qty	Part Number	Rev	Description
1	880 PP	6	Self Adhesive Print Pocket
1	STK-K-01800	5	5412 ES Accessory Kit
1	885SP2424G	0	885SP 24" x 24" Inner Panel Part
1	MCC_5412ESEL242412C	0	5412ESEL 24" x 24" Cover
4	STK-Q-07310	2	Flange Lock Nut M8
4	STK-Q-07610	8	M8 Plastic Spacer 22.2mm
1	MCC_5412ESEL242412B	0	5412ESEL 24" x 24" x 12" Body
3	STK-Q-04050-10	8	M6 x 10mm Hexagon Socket Head Machine Screw with Nyseal
Parts List			

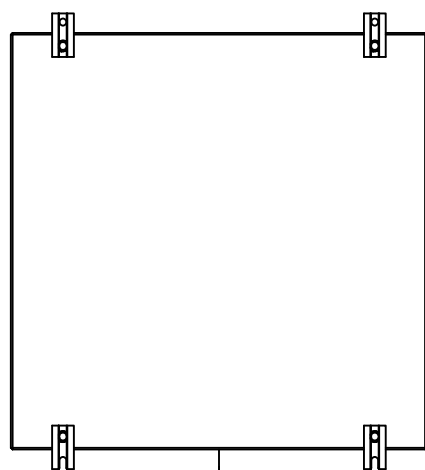
PACKING		
ITEM	QTY	DESCRIPTION
Cardboard sleeve	2	Top and Bottom
Cardboard strip	2	Between back of enclosure and inner panel
Plastic bag	1	To protect cover surface and inside gasket
Plastic strap - Black	2	To Squeeze the 2 cardboard sleeve together
Packaging label	1	White label with product number

This drawing is confidential and must not be reproduced or used without the consent of EXM

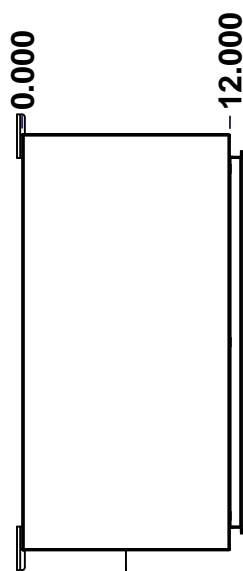
Ce dessin est confidentiel et ne doit pas être reproduit ou utilisé sans le consentement de EXM



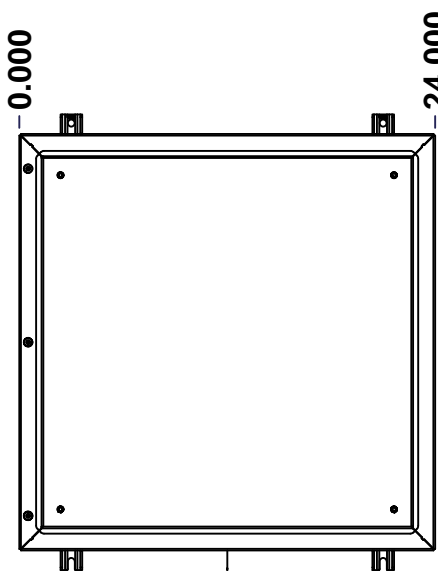
TOP



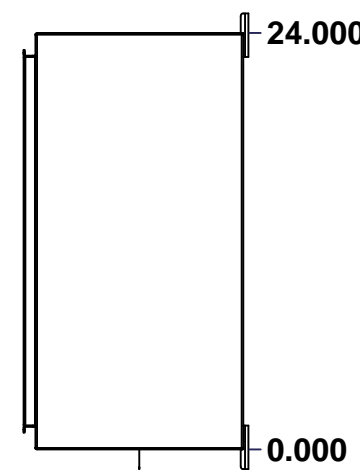
BACK



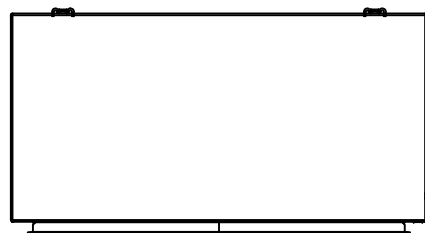
LEFT



FRONT

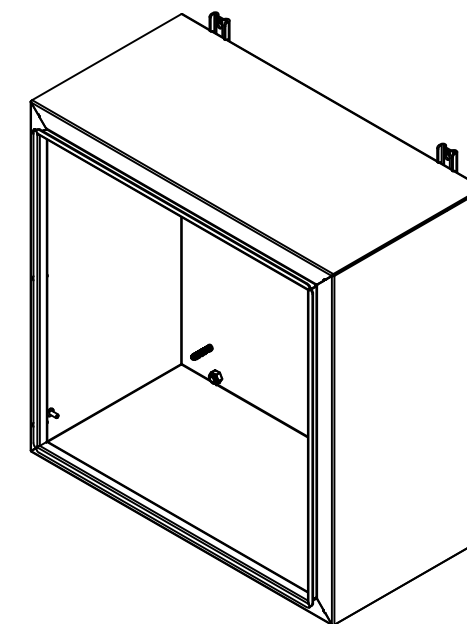


RIGHT



BOTTOM

No.	Revisions	Date	By/Par



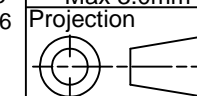
Isometric View



Tél: (450) 979-4373
 Fax: (450) 979-4626
www.exmweb.com

Flatness
Aplatisse

Max 3.0mm



Customer Client	Date
Drawn By Dessiné Par BoxCad: BoxCad	Date 03-Mar-20
Material Matière 14 Ga H.R.P. & O. (1.7mm)	
Color Couleur Asa-61 Grey	Finish Fin Smooth
Description 5412ESEL 24" x 24" x 12" Body	Detail Rev.
Part Number Numéro Pièce 5412ESEL242412B	Rev. 0

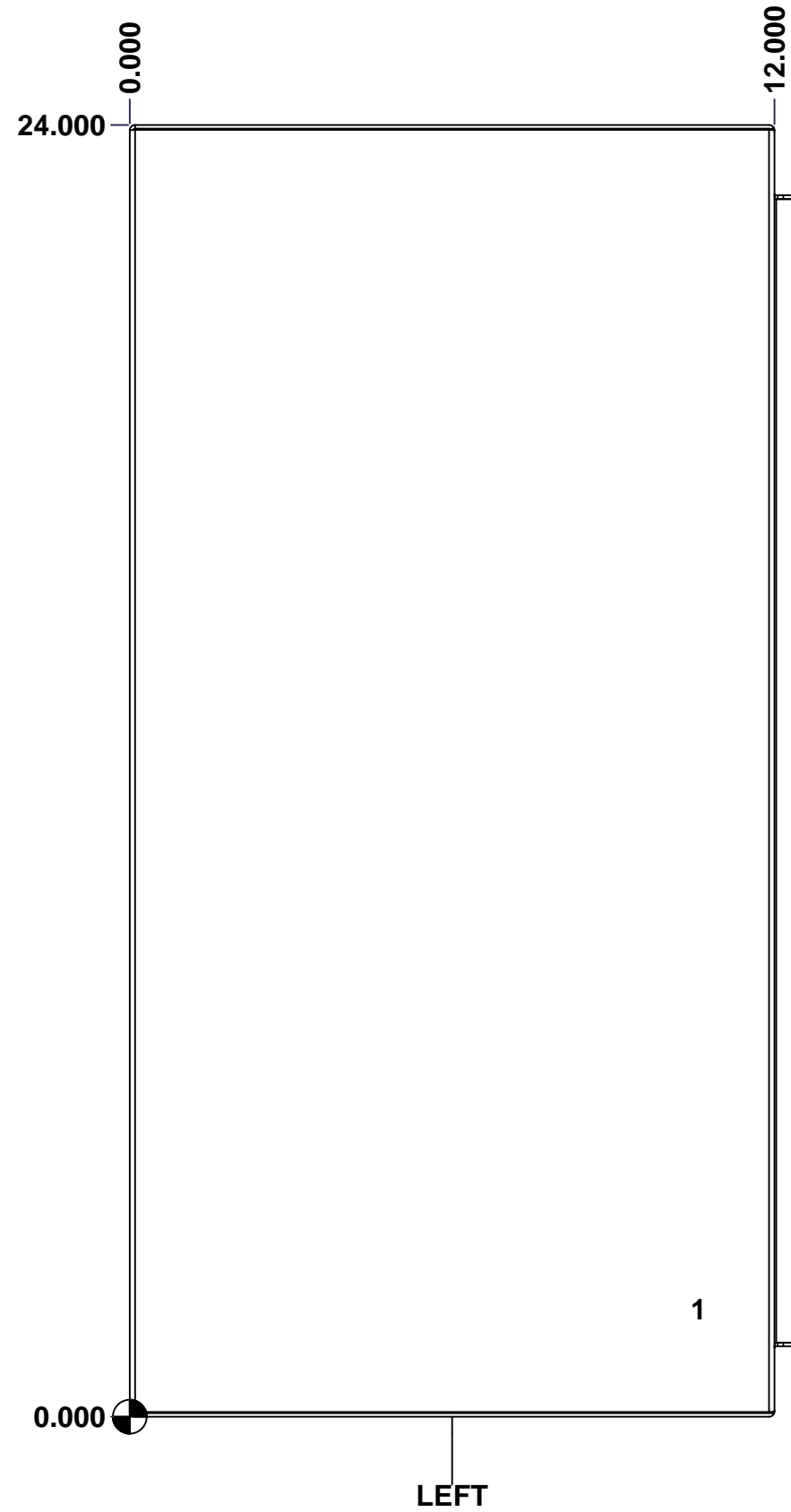
SEE BILL OF MATERIAL ON LAST PAGE

1
7

This drawing is confidential and must not be reproduced or used without the consent of EXM

Ce dessin est confidentiel et ne doit pas être reproduit ou utilisé sans le consentement de EXM

STANDARD FEATURES ARE NOT LISTED IN THIS HOLE TABLE			
HOLE TABLE - LEFT VIEW (CUSTOM FEATURE ONLY)			
CUT-OUT	XDIM	YDIM	DESCRIPTION
1	10.500	2.000	GND STUD M6 x 16mm (Inside)



	Description	Status	
	5412ESEL 24" x 24" x 12" Body		
	Part Number	Rev.	5
	Numéro Pièce	0	7
	5412ESEL242412B		

This drawing is confidential and must not be reproduced or used without the consent of EXM

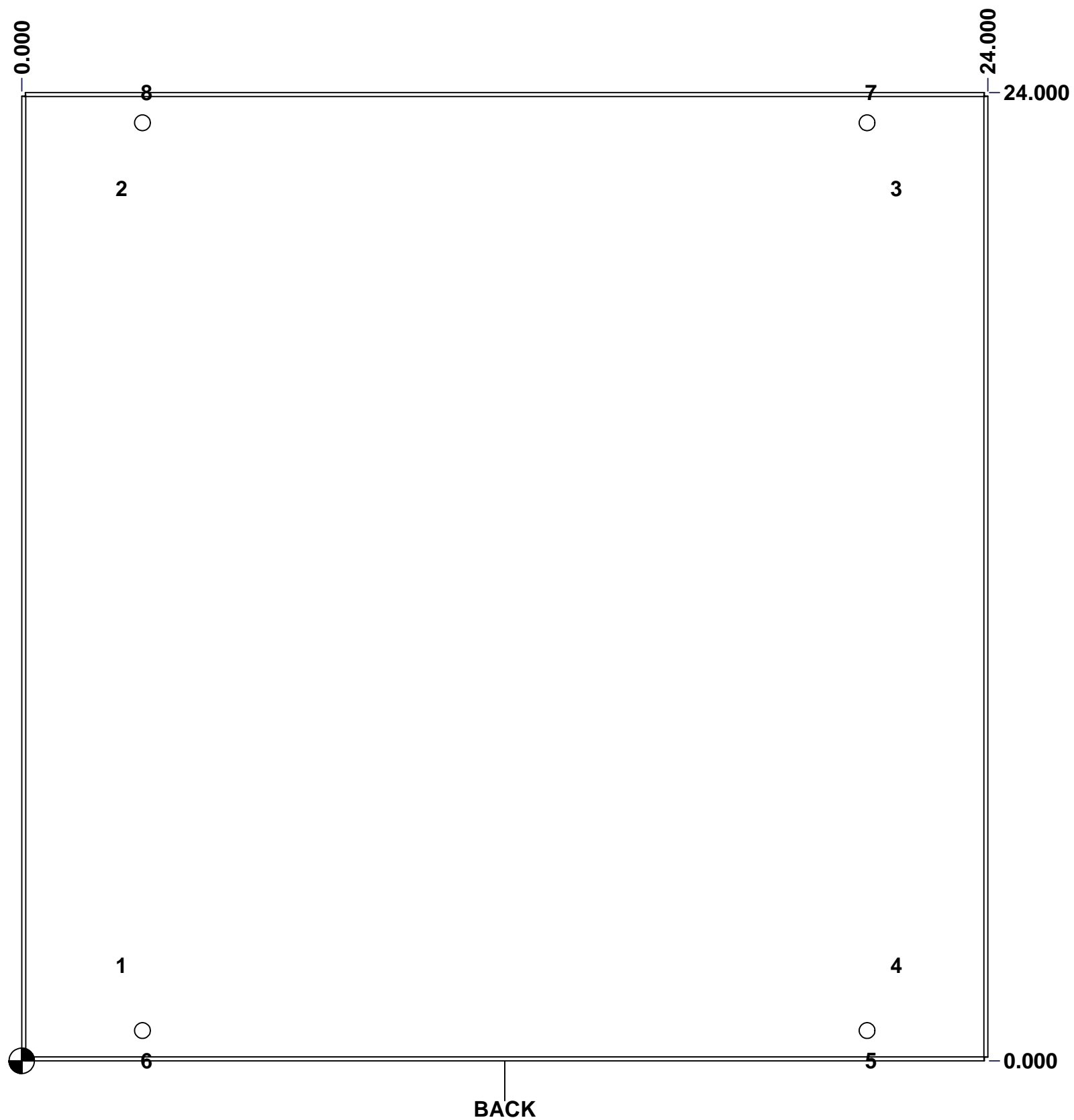
Ce dessin est confidentiel et ne doit pas être reproduit ou utilisé sans le consentement de EXM

STANDARD FEATURES ARE NOT LISTED IN THIS HOLE TABLE

HOLE TABLE - BACK VIEW (CUSTOM FEATURE ONLY)

CUT-OUT	XDIM	YDIM	DESCRIPTION
1	2.375	2.375	IP STUD M8 x 35mm (Inside)
2	2.375	21.625	IP STUD M8 x 35mm (Inside)
3	21.625	21.625	IP STUD M8 x 35mm (Inside)
4	21.625	2.375	IP STUD M8 x 35mm (Inside)

5	21.000	0.000	FOOT 885 ESMF1_OPEN
6	3.000	0.000	FOOT 885 ESMF1_OPEN
7	21.000	24.000	FOOT 885 ESMF1_CLOSE
8	3.000	24.000	FOOT 885 ESMF1_CLOSE

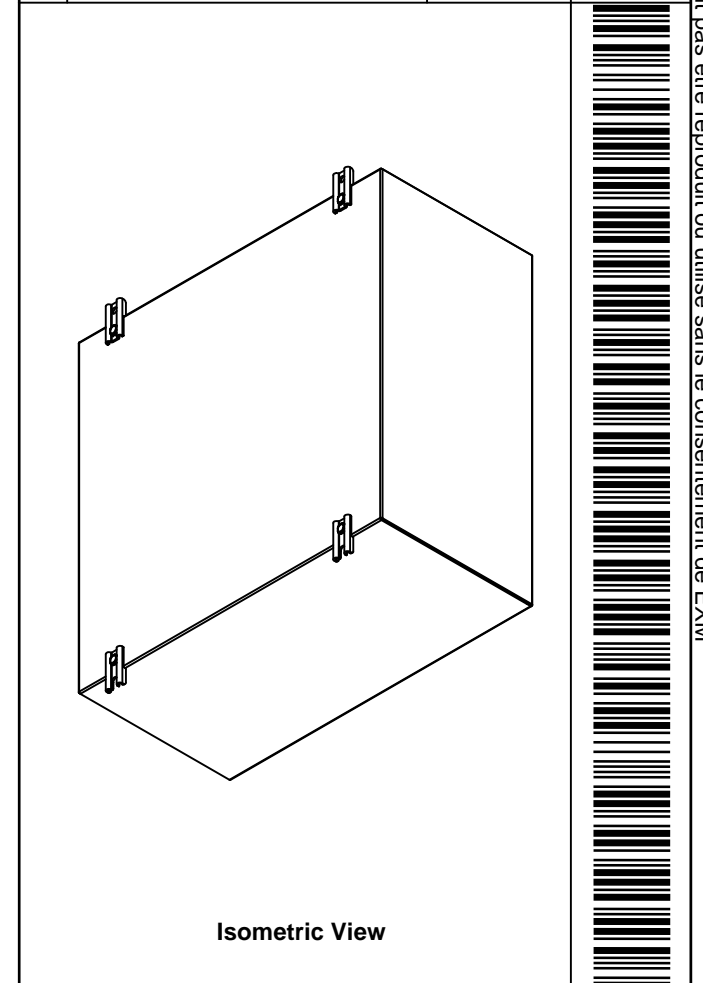


	Description		Status					
	5412ESEL 24" x 24" x 12" Body							
Part Number Numéro Pièce		Rev.	<table border="1" style="width: 100%;"> <tr> <td style="width: 50%; text-align: center;">6</td> <td style="width: 50%; text-align: center;">7</td> </tr> <tr> <td colspan="2" style="text-align: center;">0</td> </tr> </table>		6	7	0	
6	7							
0								
5412ESEL242412B								

This drawing is confidential and must not be reproduced or used without the consent of EXM

Ce dessin est confidentiel et ne doit pas être reproduit ou utilisé sans le consentement de EXM

No.	Revisions	Date	By/Par



Flatness
Aplatisse

Max 3.0mm

Projection

Customer Client

Drawn By
Dessiné Par BoxCad: BoxCad

Material
Matière 14 Ga H.R.P. & O. (1.7mm)

Color
Couleur Asa-61 Grey

Finish
Fini Smooth

Date

Date 03-Mar-20

Description

5412ESEL 24" x 24" x 12" Body

Detail Rev.

Part Number
Numéro Pièce

5412ESEL242412B

Rev. 0

7

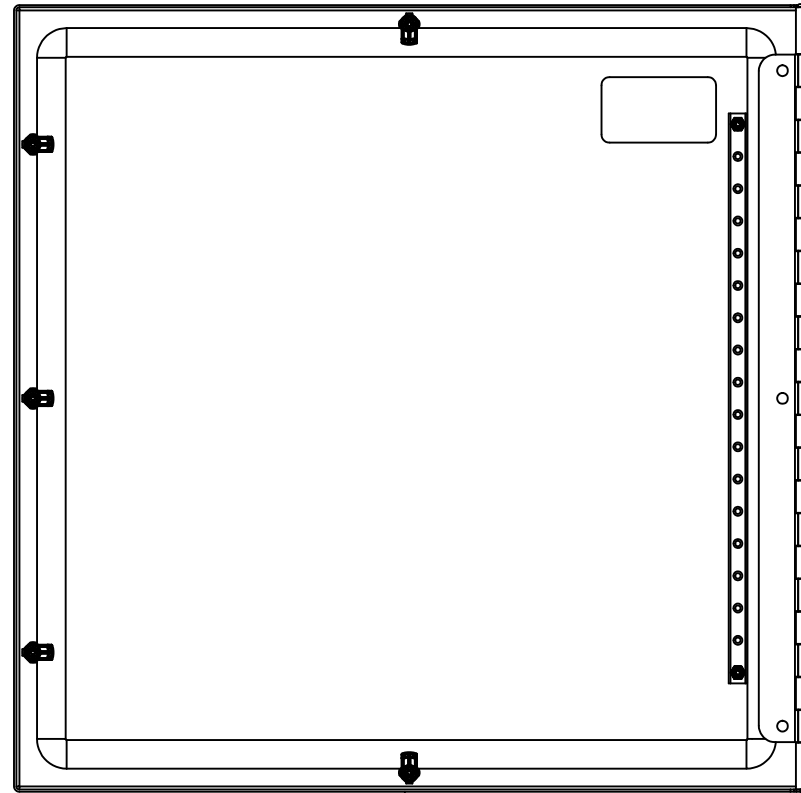
Qty	Part Number	Rev	Description
1	STK-Q-16080	0	Ground Stud M6 x 16mm
3	RIVET_NUT_SS_M6_FH_CE	0	Stainless Steel Rivet Nut M6 (Low Profile Close End)
1	STK-P-02400S	0	Powder Paint (Asa-61 Grey / Smooth)
4	STK-Q-16005	1	Stud M8 x 35 (No Paint Cap Required)
1	MCC_5412ESEL242412B-P	0	5412ESEL 24" x 24" x 12" Body Part
2	885 ESMF1_CLOSE	0	885 ESMF1 Mounting Foot (Closed Hole)
2	885 ESMF1_OPEN	0	885 ESMF1 Mounting Foot (Opened Hole)
Parts List			

This drawing is confidential and must not be reproduced or used without the consent of EXM

Ce dessin est confidentiel et ne doit pas être reproduit ou utilisé sans le consentement de EXM



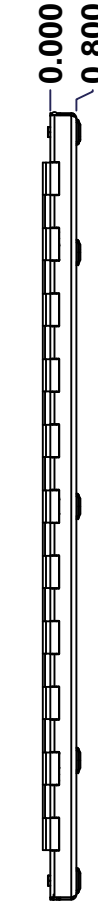
TOP



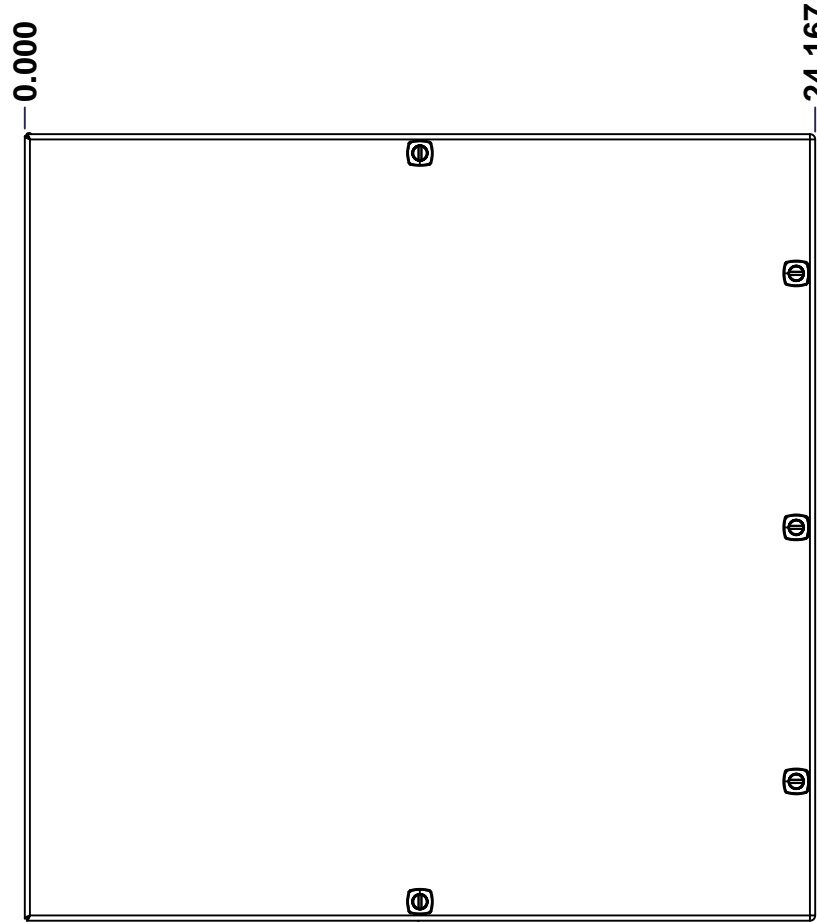
BACK



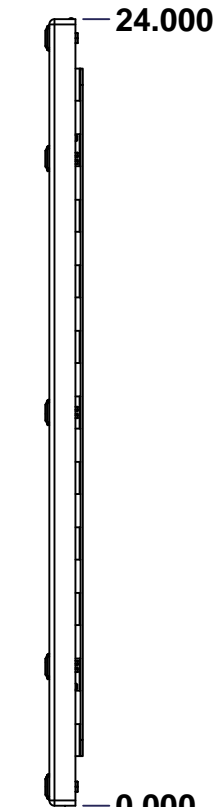
BOTTOM



LEFT

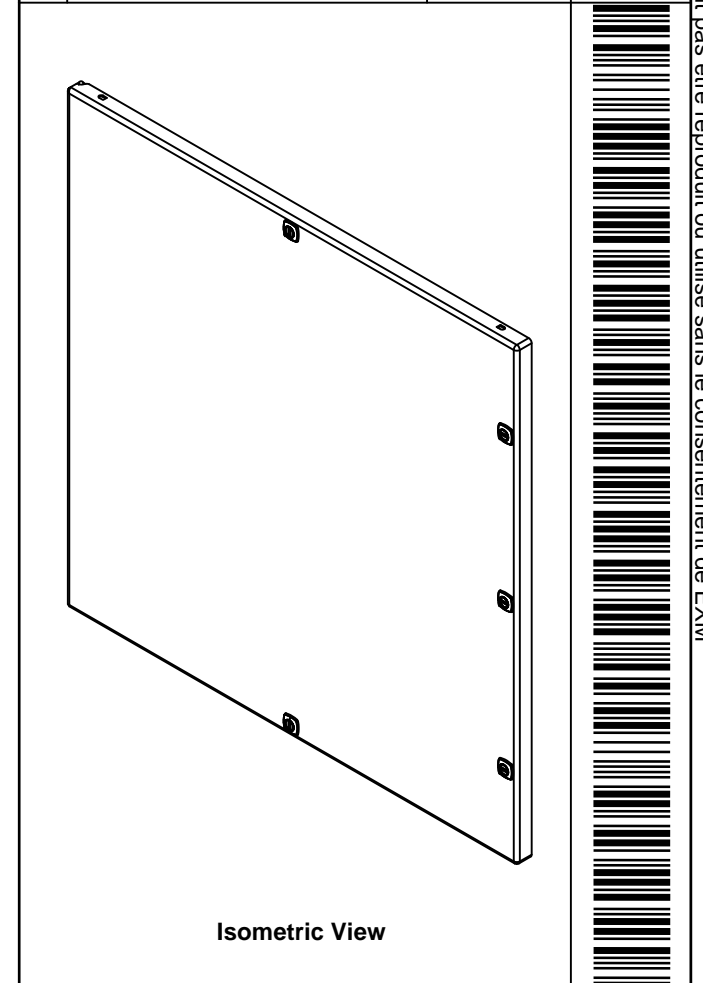


FRONT




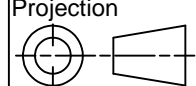
RIGHT

No.	Revisions	Date	By/Par



Isometric View



 Tél: (450) 979-4373 Fax: (450) 979-4626 www.exmweb.com		Flatness Aplatissement Max 3.0mm Projection 
Customer Client	Date	
Drawn By / Dessiné Par: BoxCad: BoxCad	Date: 03-Mar-20	
Material / Matière: 14 Ga H.R.P. & O. (1.7mm)		
Color / Couleur: Asa-61 Grey	Finish / Fini: Smooth	
Description: 5412ESEL 24" x 24" Cover	Detail Rev.	
Part Number / Numéro Pièce: 5412ESEL242412C	Rev. 0	1 / 3

SEE BILL OF MATERIAL ON LAST PAGE **5412ESEL242412C**

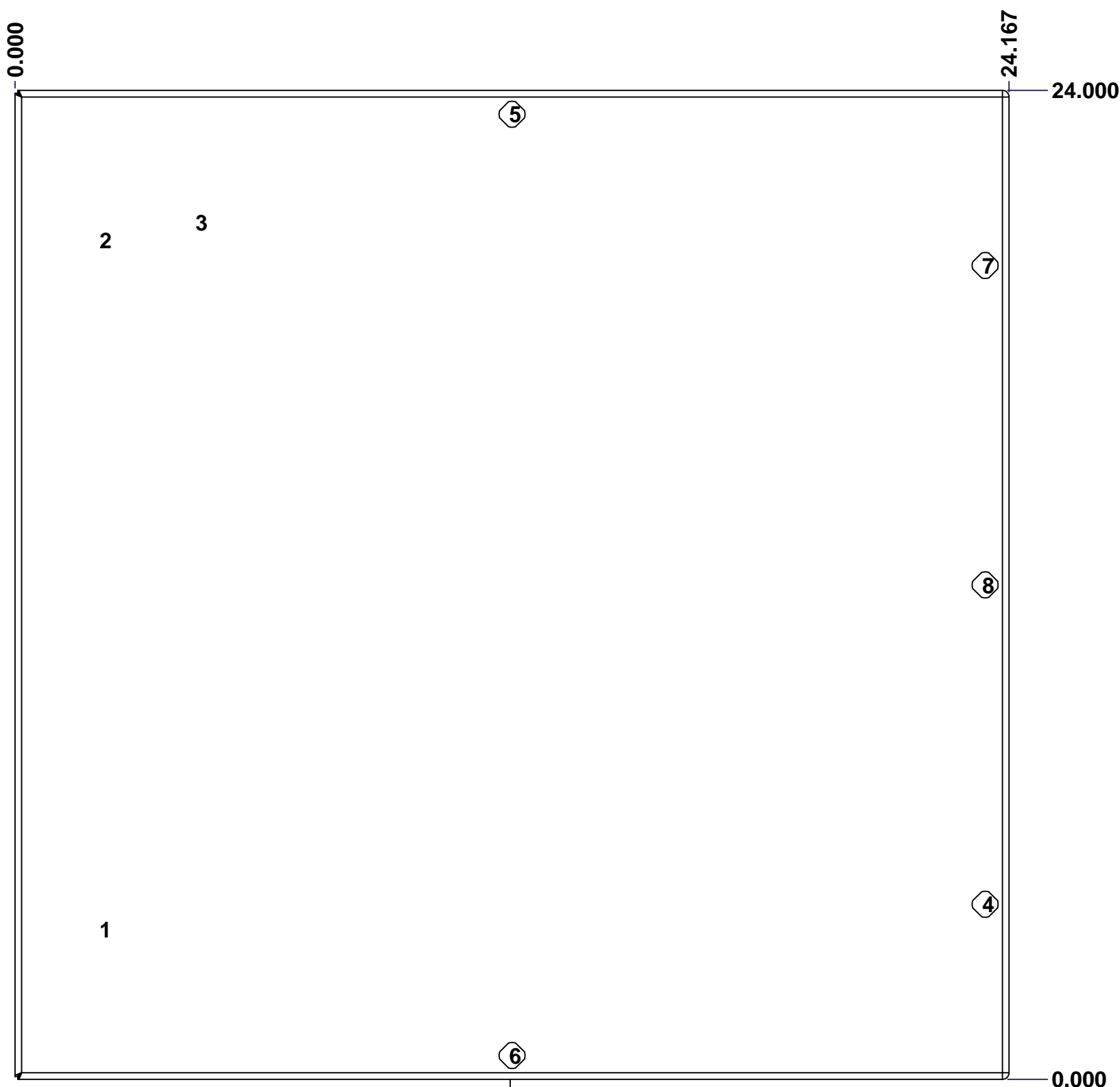
This drawing is confidential and must not be reproduced or used without the consent of EXM

Ce dessin est confidentiel et ne doit pas être reproduit ou utilisé sans le consentement de EXM

STANDARD FEATURES ARE NOT LISTED IN THIS HOLE TABLE

HOLE TABLE - FRONT VIEW (CUSTOM FEATURE ONLY)

CUT-OUT	XDIM	YDIM	DESCRIPTION
1	2.122	3.634	STUD M6 x 18mm (Inside)
2	2.122	20.366	STUD M6 x 18mm (Inside)
-----	-----	-----	-----
3	4.458	20.803	LABEL_EXM (Inside)
4	23.587	4.250	LOCK 880 SCQ5-SL @ 180.0°
5	12.084	23.420	LOCK 880 SCQ5-SL @ 270.0°
6	12.084	0.580	LOCK 880 SCQ5-SL @ 90.0°
7	23.587	19.750	LOCK 880 SCQ5-SL @ 180.0°
8	23.587	12.000	LOCK 880 SCQ5-SL @ 180.0°



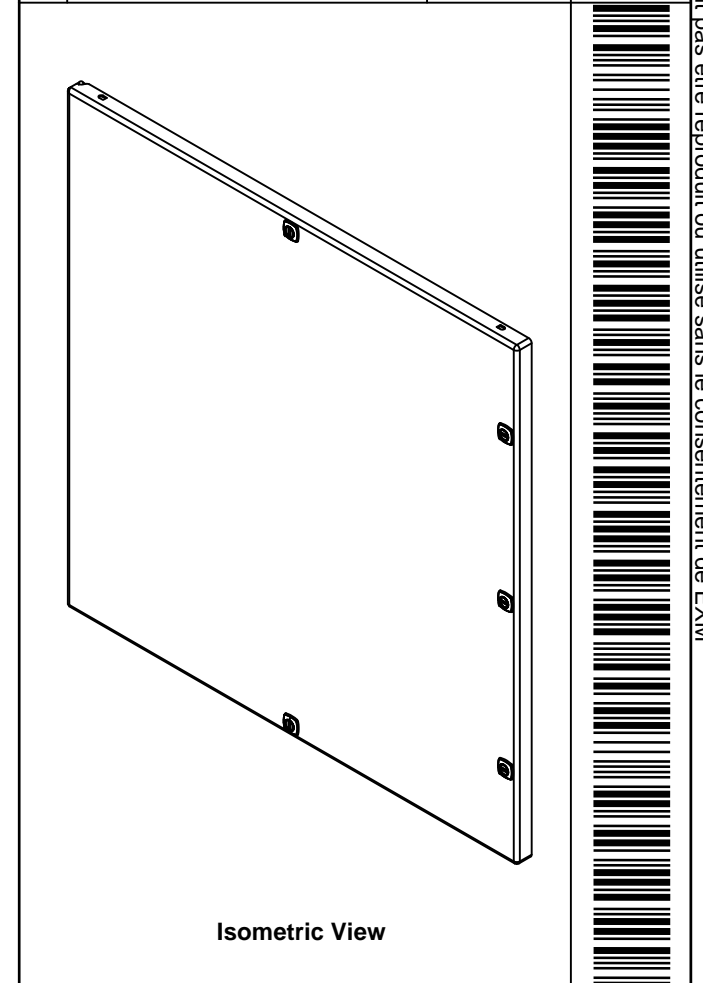
FRONT

	Description	Status	
	5412ESEL 24" x 24" Cover	(NULL)	
	Part Number Numéro Pièce	Rev.	
	5412ESEL242412C	0	2 3

This drawing is confidential and must not be reproduced or used without the consent of EXM


Ce dessin est confidentiel et ne doit pas être reproduit ou utilisé sans le consentement de EXM

No.	Revisions	Date	By/Par



Qty	Part Name	Rev	Description
1	STK-S-00100	0	3.5" x 2" Silver Milar Flexcon Sticker
1	STK-P-02400S	0	Powder Paint (Asa-61 Grey / Smooth)
2	STK-Q-16055	1	M6 x 18mm Stud (No Paint Cap Required)
5	STK-A-79955	2	5412 ESEL Plastic Clip-in 1/4 Turn Lock
1	MCC_5412ESEL242412H-P-P	0	5412ESEL 24" x 24" Cover Part
1	MCC_5412ESEL242412H-P	0	5412ESEL 24" x 24" Cover Part
1	STK-Q-46020-20	5	5412 ES Vertical Door Stiffener 20"
1	MCC_5412ESEL242412G	0	5412ESEL 24" x 24" Cover Gasket Part
1	MCC_5412ESEL242412C-P	0	5412ESEL 24" x 24" Cover Part
2	STK-Q-07220	1	M6 Nylon Insert Lock Nut

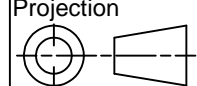
Parts List



Tél: (450) 979-4373
Fax: (450) 979-4626
www.exmweb.com

Flatness
Aplatissement
Max 3.0mm

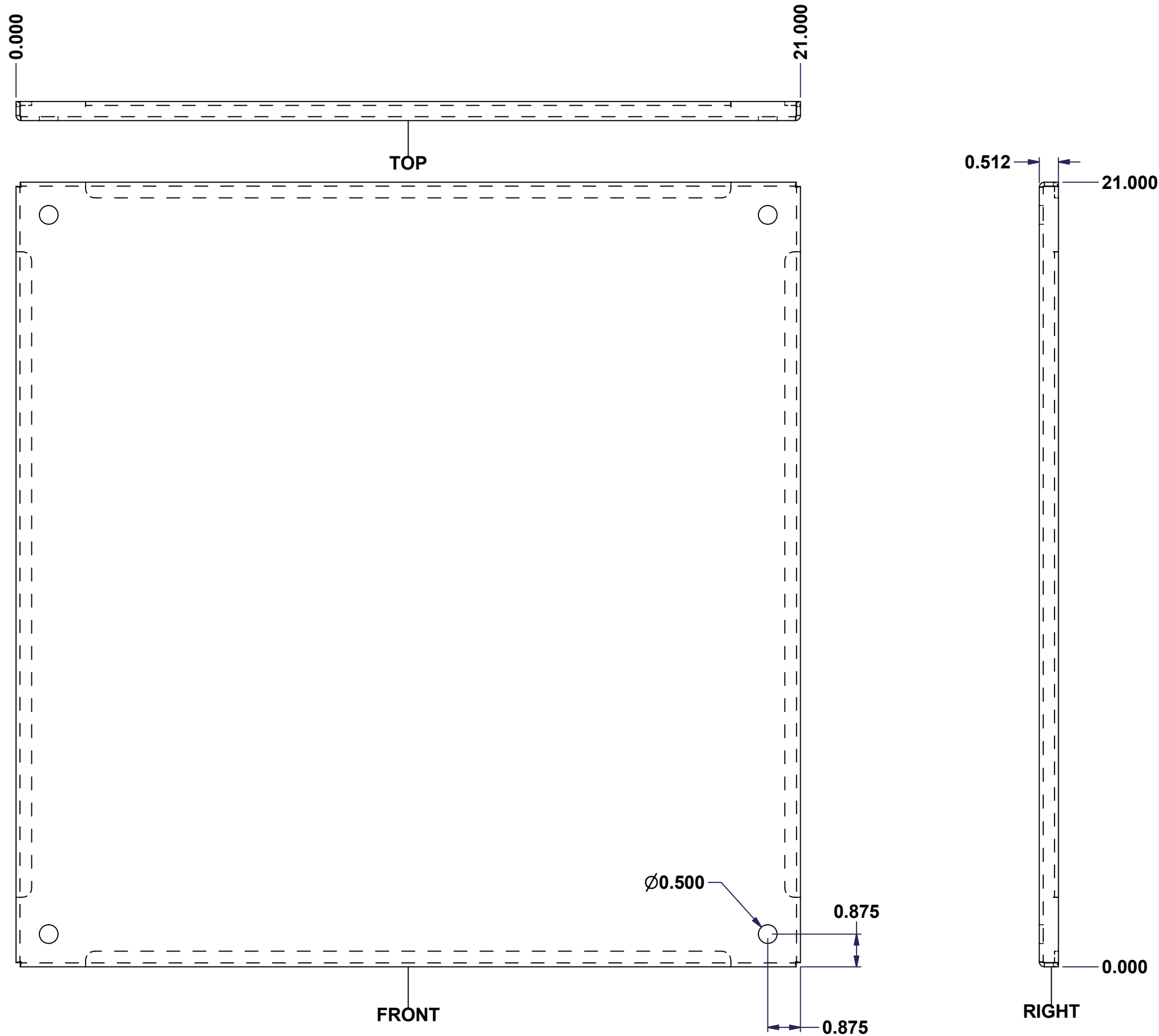
Projection



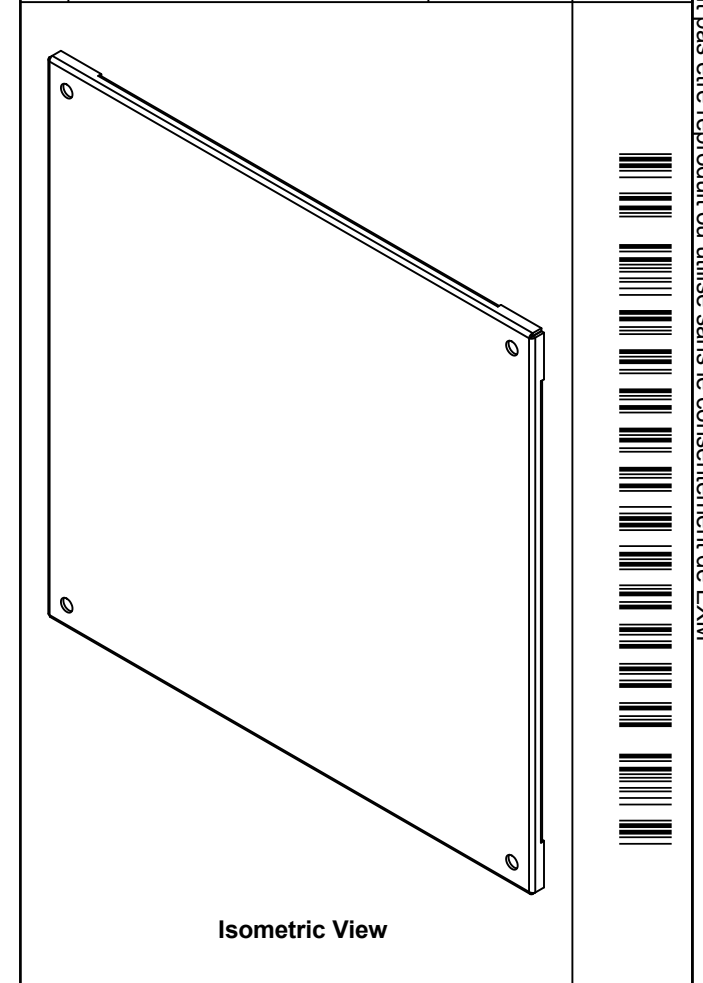
Customer Client	Date
Drawn By Dessiné Par BoxCad: BoxCad	Date 03-Mar-20
Material Matière	14 Ga H.R.P. & O. (1.7mm)
Color Couleur	Asa-61 Grey
Finish Fini	Smooth
Description	Detail Rev.
5412ESEL 24" x 24" Cover	
Part Number Numéro Pièce	Rev. 3
5412ESEL242412C	0

This drawing is confidential and must not be reproduced or used without the consent of EXM

Ce dessin est confidentiel et ne doit pas être reproduit ou utilisé sans le consentement de EXM



No.	Revisions	Date	By/Par



Tél: (450) 979-4373 Fax: (450) 979-4626 www.exmweb.com		Flatness Aplatissement Max 3.0mm Projection
Customer Client	Date	
Drawn By / Dessiné Par: BoxCad: nickz	Date: 01/03/2017	
Material / Matière: 12 Ga Galvanized (2.5mm)		
Color / Couleur: See Part List	Finish / Fini: See Part List	
Description: 885SP 24" x 24" Inner Panel Part		Detail Rev.
Part Number / Numéro Pièce: 885SP2424G	Rev.:	1

Qty	Part Number	Rev	Description	Material	Color	Finish
1	885SP2424G-P	0	885SP 24" x 24" Inner Panel Part	12 Ga Galvanized (2.5mm)	Unpainted	Galvanized

Parts List