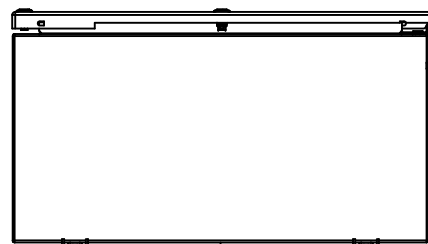
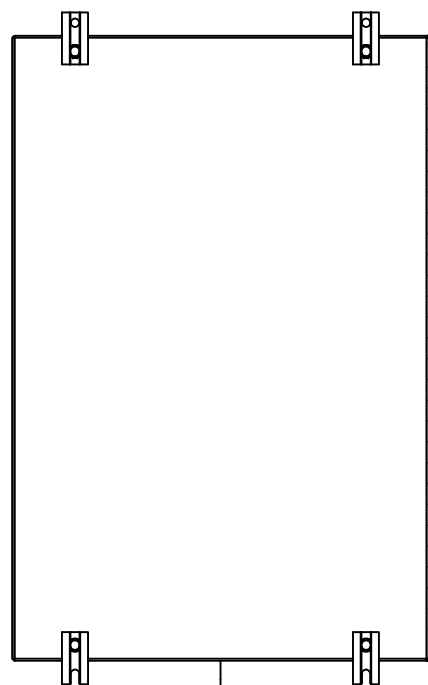


This drawing is confidential and must not be reproduced or used without the consent of EXM

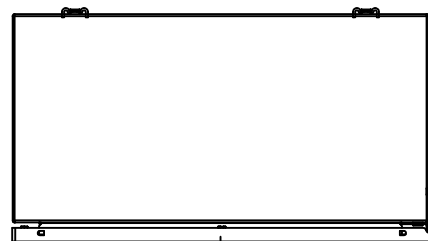
Ce dessin est confidentiel et ne doit pas être reproduit ou utilisé sans le consentement de EXM



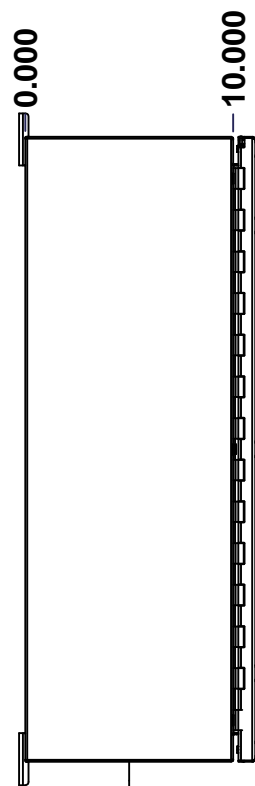
TOP



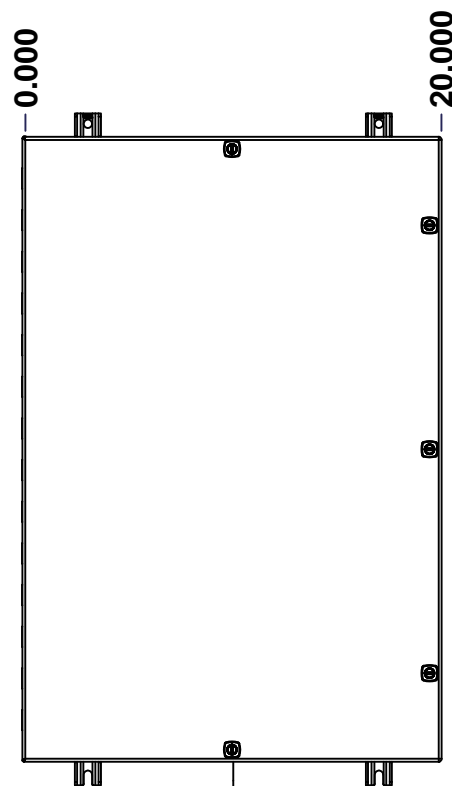
BACK



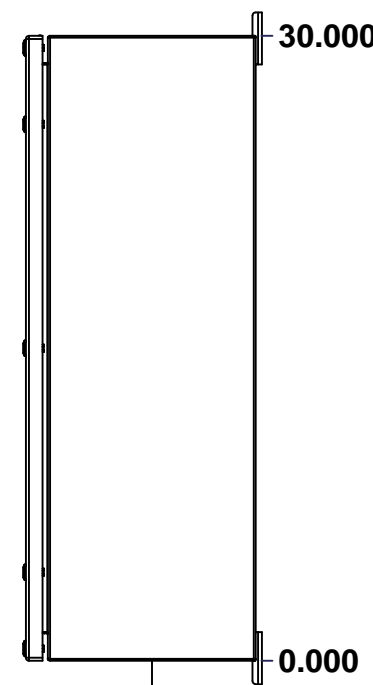
BOTTOM



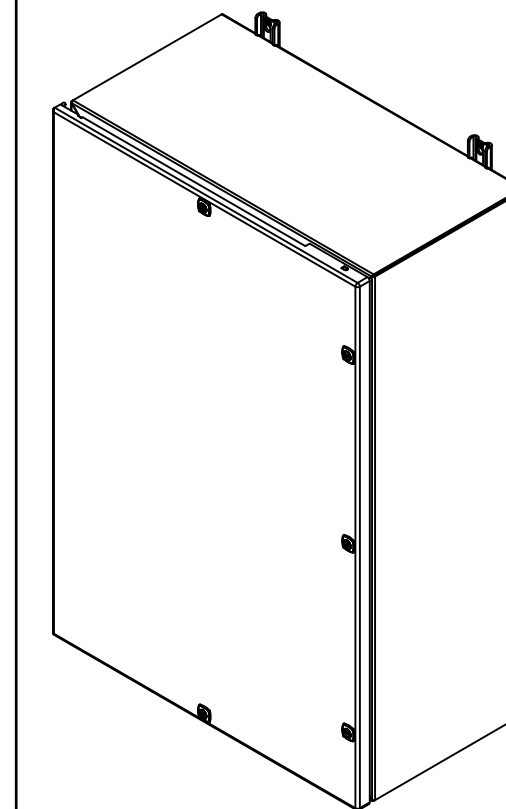
LEFT



FRONT




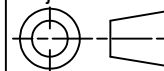
RIGHT



Isometric View



No.	Revisions	Date	By/Par

 Tél: (450) 979-4373 Fax: (450) 979-4626 www.exmweb.com		Flatness Aplatissement Max 3.0mm Projection 
Customer Client	Date	
Drawn By Dessiné Par	BoxCad: BoxCad	Date 03-Mar-20
Material Matière	14 Ga H.R.P. & O. (1.7mm)	
Color Couleur	Asa-61 Grey	Finish Fin Smooth
Description	Detail Rev.	
5412ESEL 30" x 20" x 10" Assembly		
Part Number Numéro Pièce	Rev.	1
5412ESEL302010	0	2

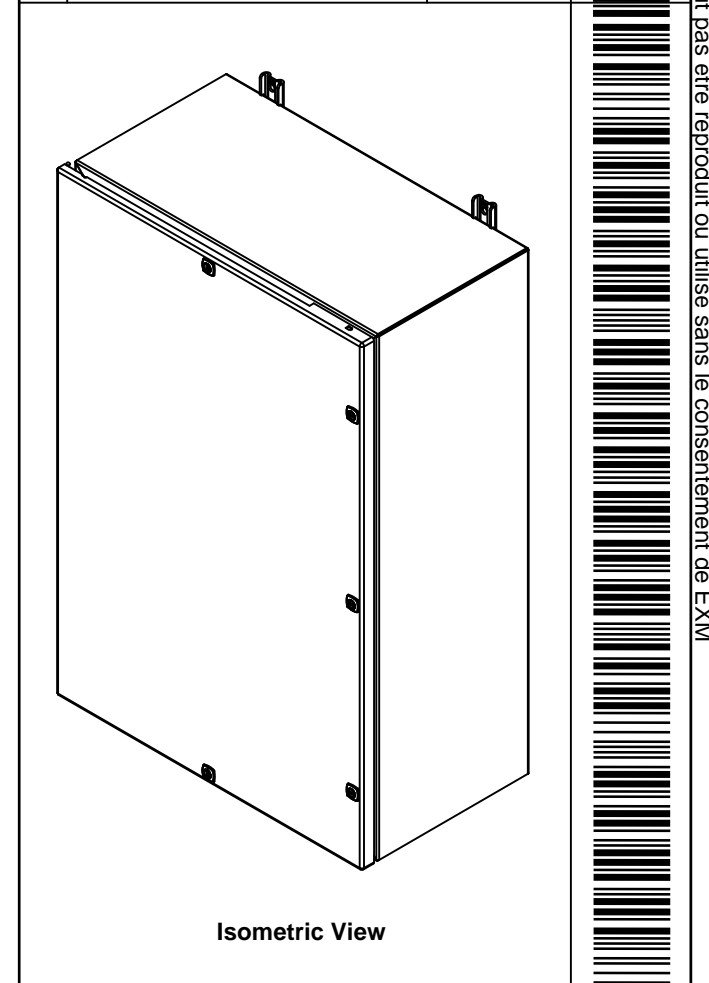
SEE BILL OF MATERIAL ON LAST PAGE


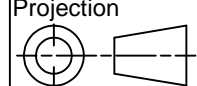
This drawing is confidential and must not be reproduced or used without the consent of EXM

Ce dessin est confidentiel et ne doit pas être reproduit ou utilisé sans le consentement de EXM

NOTE	
ITEM	DESCRIPTION
1	NEMA 4/12 Enclosure
2	C/W Standard ground studs on box and cover
3	W/O Standard door stiffener
4	C/W Standard inner panel (Sold separately)
5	C/W Standard inner panel mounting studs
6	C/W 885 ESMF1_OPEN Sold separately (Kit)
7	C/W 885 ESMF1_CLOSE Sold separately (Kit)

No.	Revisions	Date	By/Par



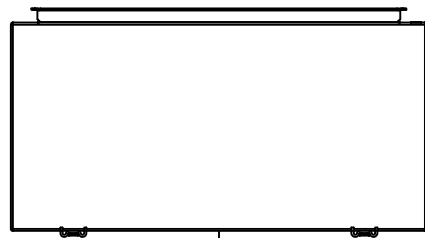
 Tél: (450) 979-4373 Fax: (450) 979-4626 www.exmweb.com		Flatness Aplatissement Max 3.0mm Projection 
Customer Client	Date	
Drawn By Dessiné Par	BoxCad: BoxCad	Date 03-Mar-20
Material Matière	14 Ga H.R.P. & O. (1.7mm)	
Color Couleur	Asa-61 Grey	Finish Fini Smooth
Description	5412ESEL 30" x 20" x 10" Assembly	
Part Number Numéro Pièce	5412ESEL302010	Rev. 2
		0

PACKING		
ITEM	QTY	DESCRIPTION
Cardboard sleeve	2	Top and Bottom
Cardboard strip	2	Between back of enclosure and inner panel
Plastic bag	1	To protect cover surface and inside gasket
Plastic strap - Black	2	To Squeeze the 2 cardboard sleeve together
Packaging label	1	White label with product number

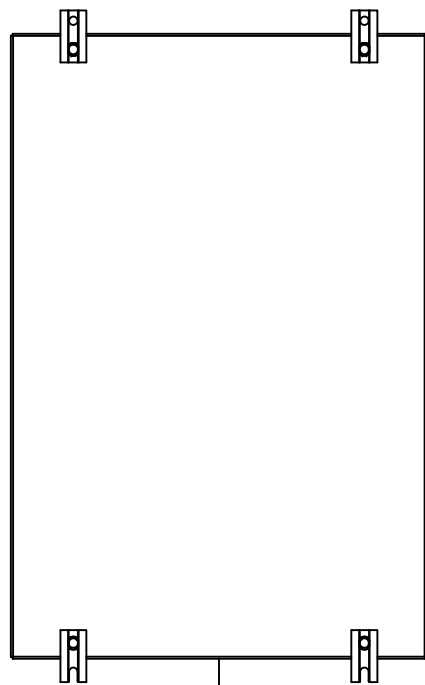
Qty	Part Number	Rev	Description
1	880 PP	6	Self Adhesive Print Pocket
1	STK-K-01800	5	5412 ES Accessory Kit
1	885SP3020G	0	885SP 30" x 20" Inner Panel Part
1	MCC_5412ESEL302010C	0	5412ESEL 30" x 20" Cover
4	STK-Q-07310	2	Flange Lock Nut M8
4	STK-Q-07610	8	M8 Plastic Spacer 22.2mm
1	MCC_5412ESEL302010B	0	5412ESEL 30" x 20" x 10" Body
3	STK-Q-04050-10	8	M6 x 10mm Hexagon Socket Head Machine Screw with Nyseal
Parts List			

This drawing is confidential and must not be reproduced or used without the consent of EXM

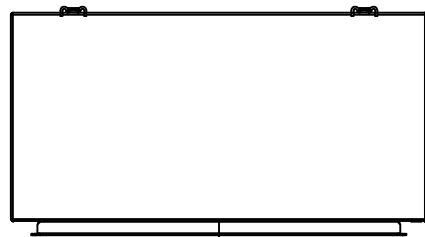
Ce dessin est confidentiel et ne doit pas être reproduit ou utilisé sans le consentement de EXM



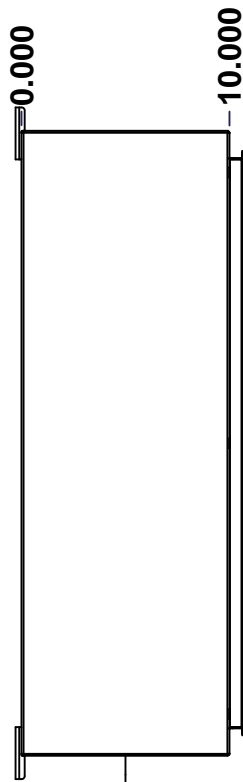
TOP



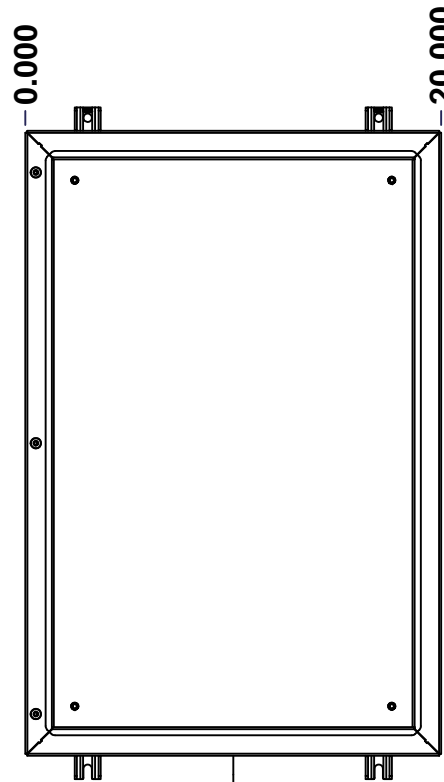
BACK



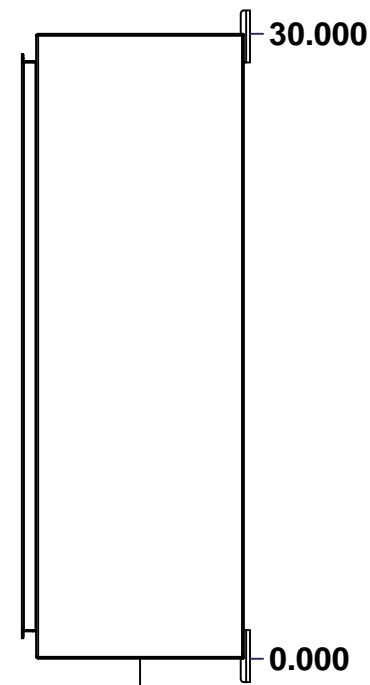
BOTTOM



LEFT

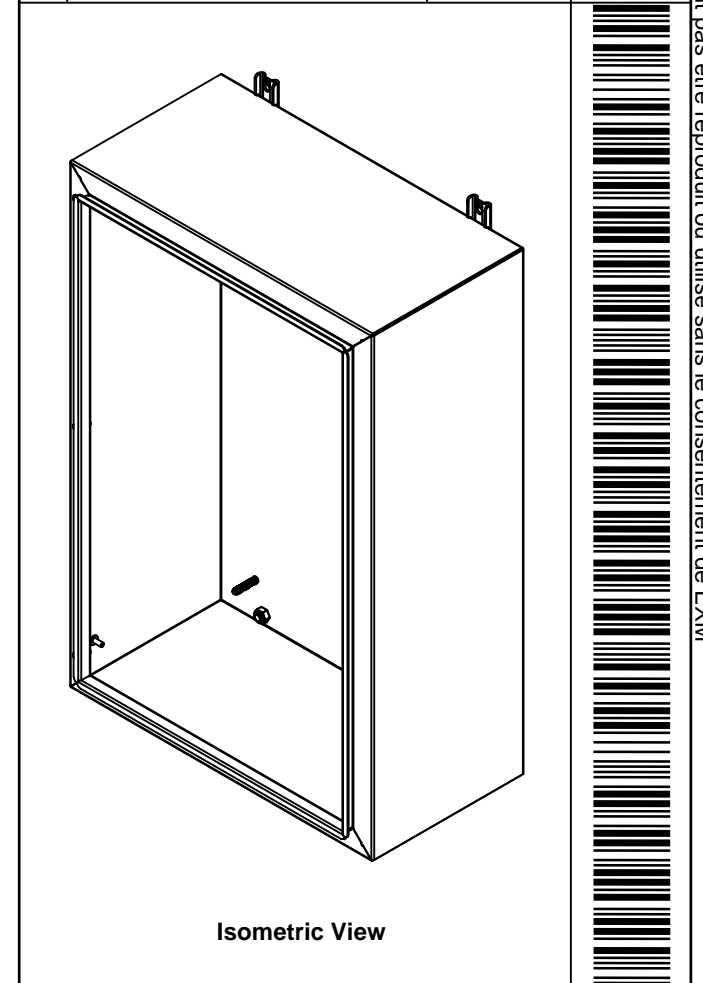


FRONT





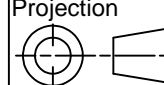
RIGHT

No.	Revisions	Date	By/Par



Isometric View



 Tél: (450) 979-4373 Fax: (450) 979-4626 www.exmweb.com		Flatness Aplatissement  Max 3.0mm Projection 
Customer Client	Date	
Drawn By Dessiné Par	BoxCad: BoxCad	Date 03-Mar-20
Material Matière	14 Ga H.R.P. & O. (1.7mm)	
Color Couleur	Asa-61 Grey	Finish Finis Smooth
Description	Detail Rev.	
5412ESEL 30" x 20" x 10" Body		
Part Number Numéro Pièce	Rev.	1 7
SEE BILL OF MATERIAL ON LAST PAGE 5412ESEL302010B	0	

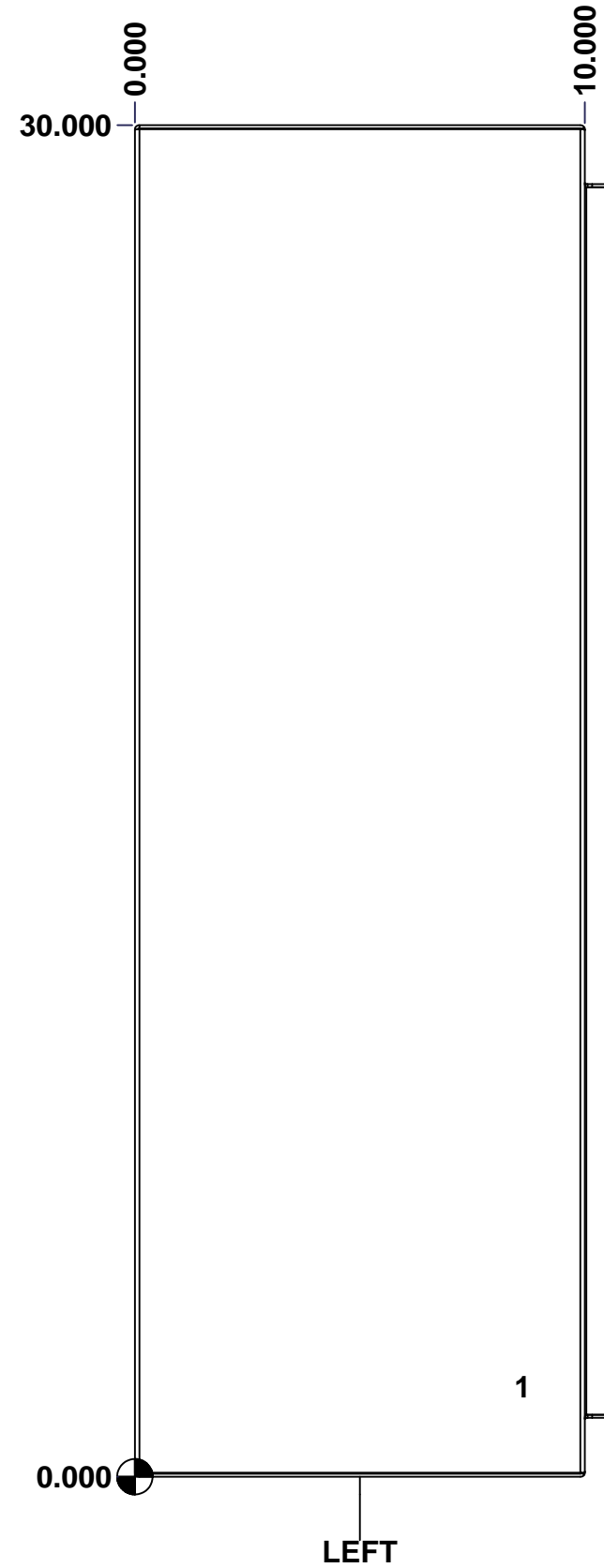
SEE BILL OF MATERIAL ON LAST PAGE

5412ESEL302010B

This drawing is confidential and must not be reproduced or used without the consent of EXM

Ce dessin est confidentiel et ne doit pas être reproduit ou utilisé sans le consentement de EXM

STANDARD FEATURES ARE NOT LISTED IN THIS HOLE TABLE			
HOLE TABLE - LEFT VIEW (CUSTOM FEATURE ONLY)			
CUT-OUT	XDIM	YDIM	DESCRIPTION
1	8.500	2.000	GND STUD M6 x 16mm (Inside)



	Description	Status	
	5412ESEL 30" x 20" x 10" Body		
	Part Number Numéro Pièce	Rev.	5/7
	5412ESEL302010B	0	

This drawing is confidential and must not be reproduced or used without the consent of EXM

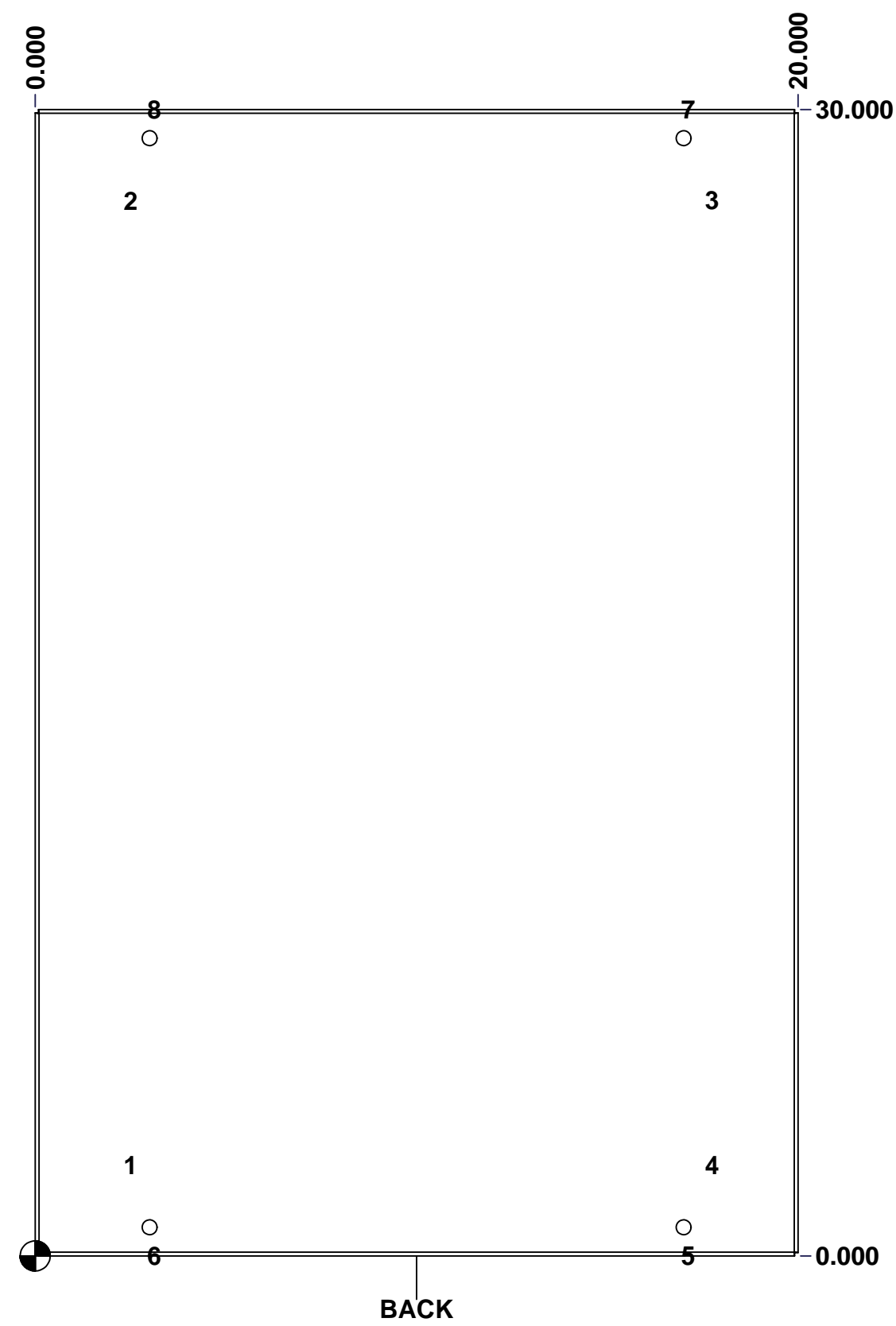
Ce dessin est confidentiel et ne doit pas être reproduit ou utilisé sans le consentement de EXM

STANDARD FEATURES ARE NOT LISTED IN THIS HOLE TABLE

HOLE TABLE - BACK VIEW (CUSTOM FEATURE ONLY)

CUT-OUT	XDIM	YDIM	DESCRIPTION
1	2.375	2.375	IP STUD M8 x 35mm (Inside)
2	2.375	27.625	IP STUD M8 x 35mm (Inside)
3	17.625	27.625	IP STUD M8 x 35mm (Inside)
4	17.625	2.375	IP STUD M8 x 35mm (Inside)

5	17.000	0.000	FOOT 885 ESMF1_OPEN
6	3.000	0.000	FOOT 885 ESMF1_OPEN
7	17.000	30.000	FOOT 885 ESMF1_CLOSE
8	3.000	30.000	FOOT 885 ESMF1_CLOSE

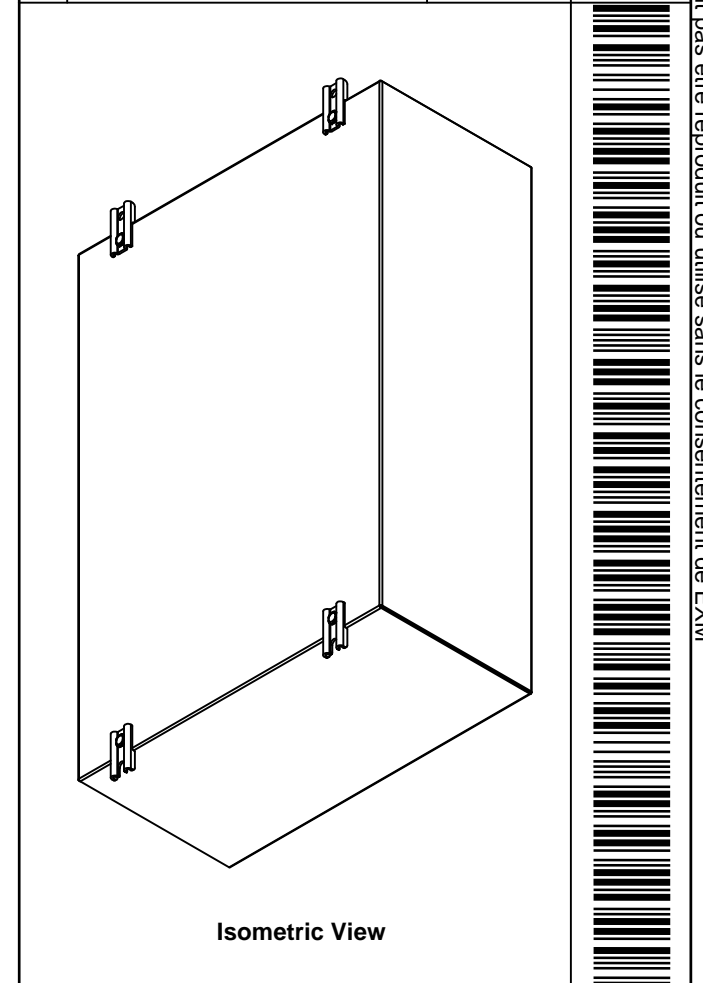


	Description	Status	
	5412ESEL 30" x 20" x 10" Body		
	Part Number	Rev.	6
	Numéro Pièce	0	7
5412ESEL302010B			

This drawing is confidential and must not be reproduced or used without the consent of EXM

Ce dessin est confidentiel et ne doit pas être reproduit ou utilisé sans le consentement de EXM

No.	Revisions	Date	By/Par




 Tél: (450) 979-4373
 Fax: (450) 979-4626
www.exmweb.com

Flatness / Aplatissement:  Max 3.0mm
 Projection: 

Qty	Part Number	Rev	Description
1	STK-Q-16080	0	Ground Stud M6 x 16mm
3	RIVET_NUT_SS_M6_FH_CE	0	Stainless Steel Rivet Nut M6 (Low Profile Close End)
1	STK-P-02400S	0	Powder Paint (Asa-61 Grey / Smooth)
4	STK-Q-16005	1	Stud M8 x 35 (No Paint Cap Required)
1	MCC_5412ESEL302010B-P	0	5412ESEL 30" x 20" x 10" Body Part
2	885 ESMF1_CLOSE	0	885 ESMF1 Mounting Foot (Closed Hole)
2	885 ESMF1_OPEN	0	885 ESMF1 Mounting Foot (Opened Hole)

Customer Client:
 Date: 03-Mar-20

Drawn By / Dessiné Par: BoxCad: BoxCad

Material / Matière: 14 Ga H.R.P. & O. (1.7mm)

Color / Couleur: Asa-61 Grey Finish / Fini: Smooth

Description: 5412ESEL 30" x 20" x 10" Body Detail Rev.:

Part Number / Numéro Pièce: **5412ESEL302010B** Rev. 0 7/7

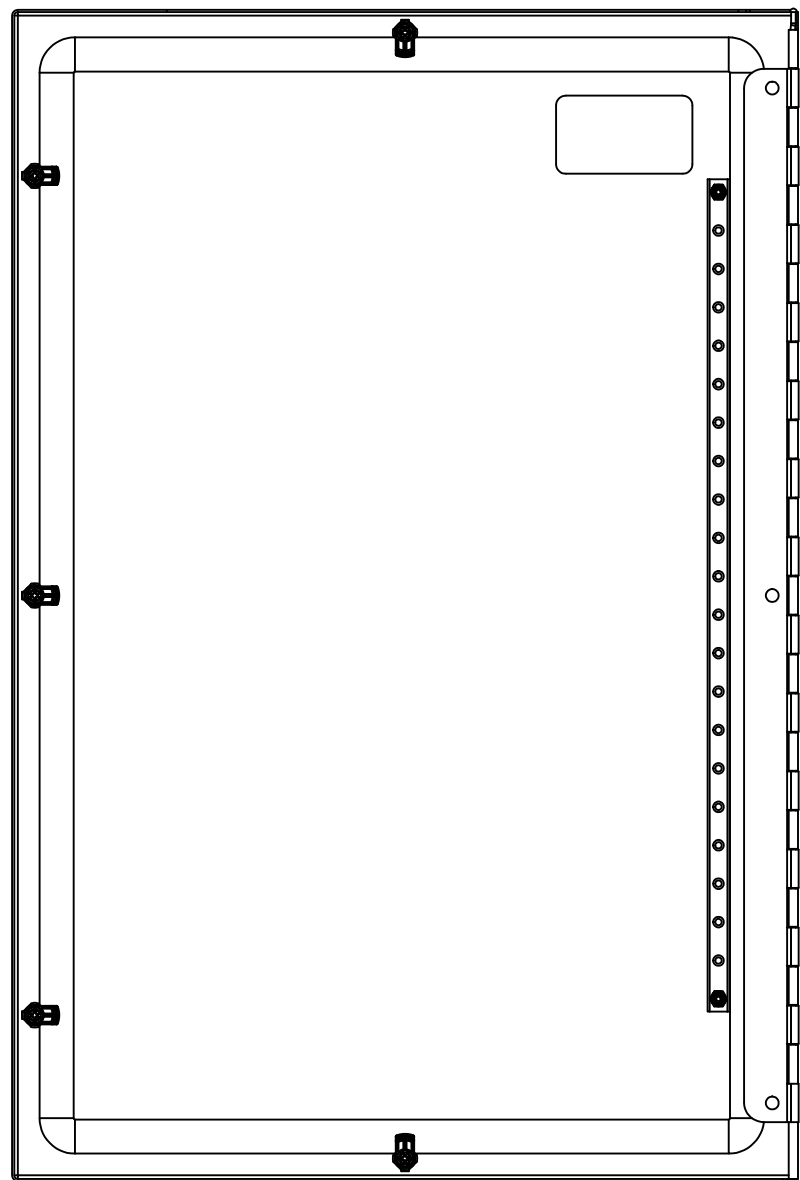
Parts List

This drawing is confidential and must not be reproduced or used without the consent of EXM

Ce dessin est confidentiel et ne doit pas être reproduit ou utilisé sans le consentement de EXM



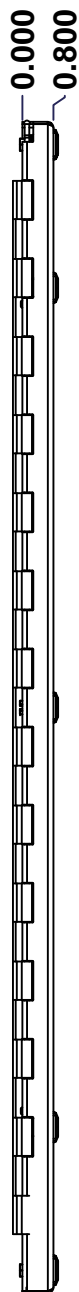
TOP



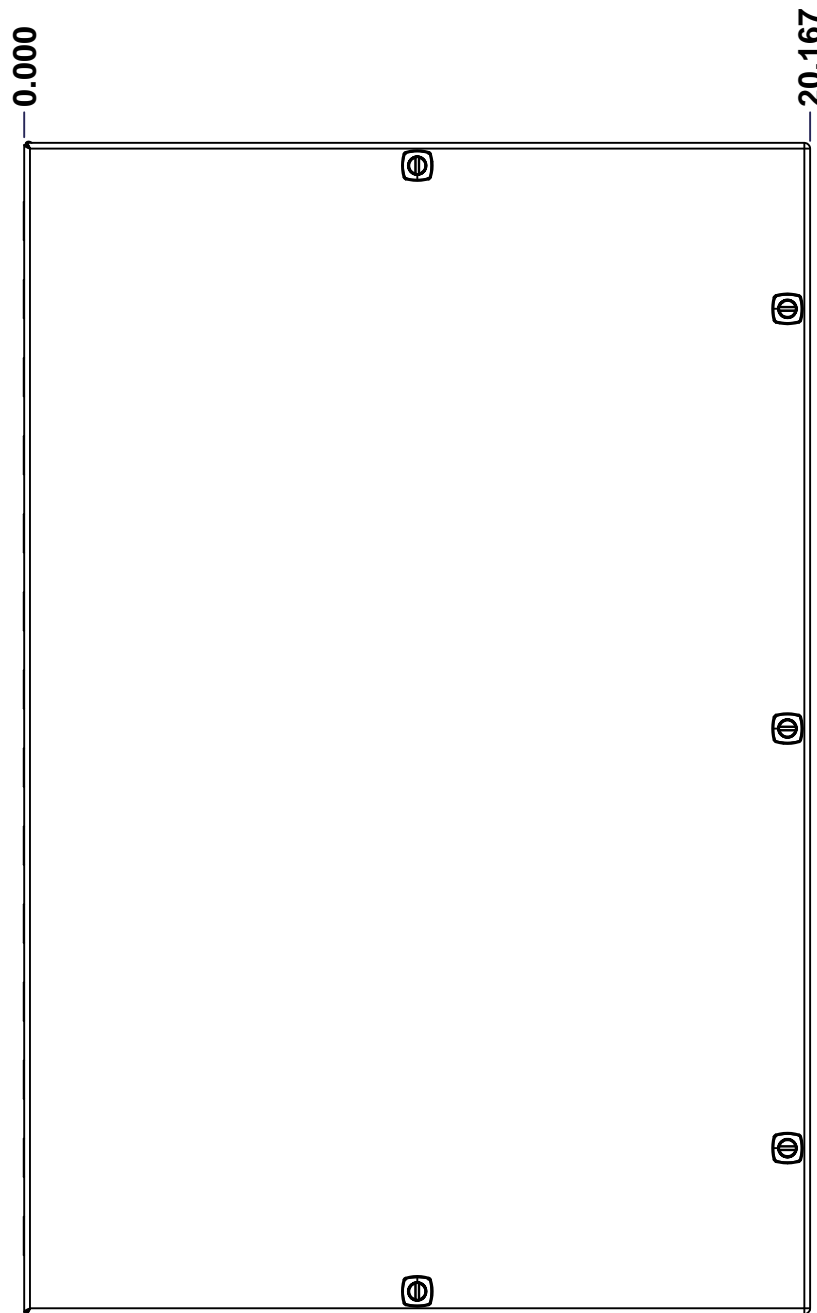
BACK



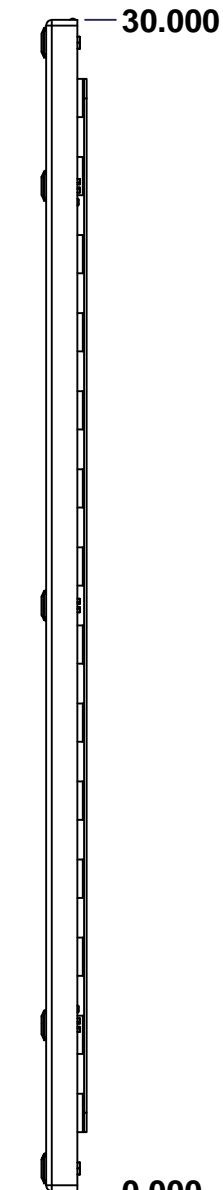
BOTTOM



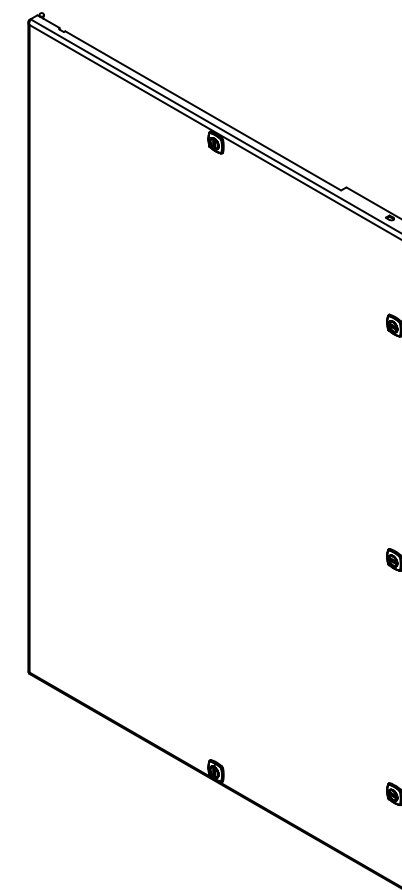
LEFT



FRONT



RIGHT



Isometric View



No.	Revisions	Date	By/Par

Tél: (450) 979-4373 Fax: (450) 979-4626 www.exmweb.com		Flatness Aplatissement Max 3.0mm Projection
Customer Client	Date	
Drawn By Dessiné Par	BoxCad: BoxCad	Date 03-Mar-20
Material Matière	16 Ga H.R.P. & O. (1.4mm)	
Color Couleur	Asa-61 Grey	Finish Fini Smooth
Description	Detail Rev.	
5412ESEL 30" x 20" Cover		
Part Number Numéro Pièce	Rev. 0	1 / 3
5412ESEL302010C		

SEE BILL OF MATERIAL ON LAST PAGE

This drawing is confidential and must not be reproduced or used without the consent of EXM

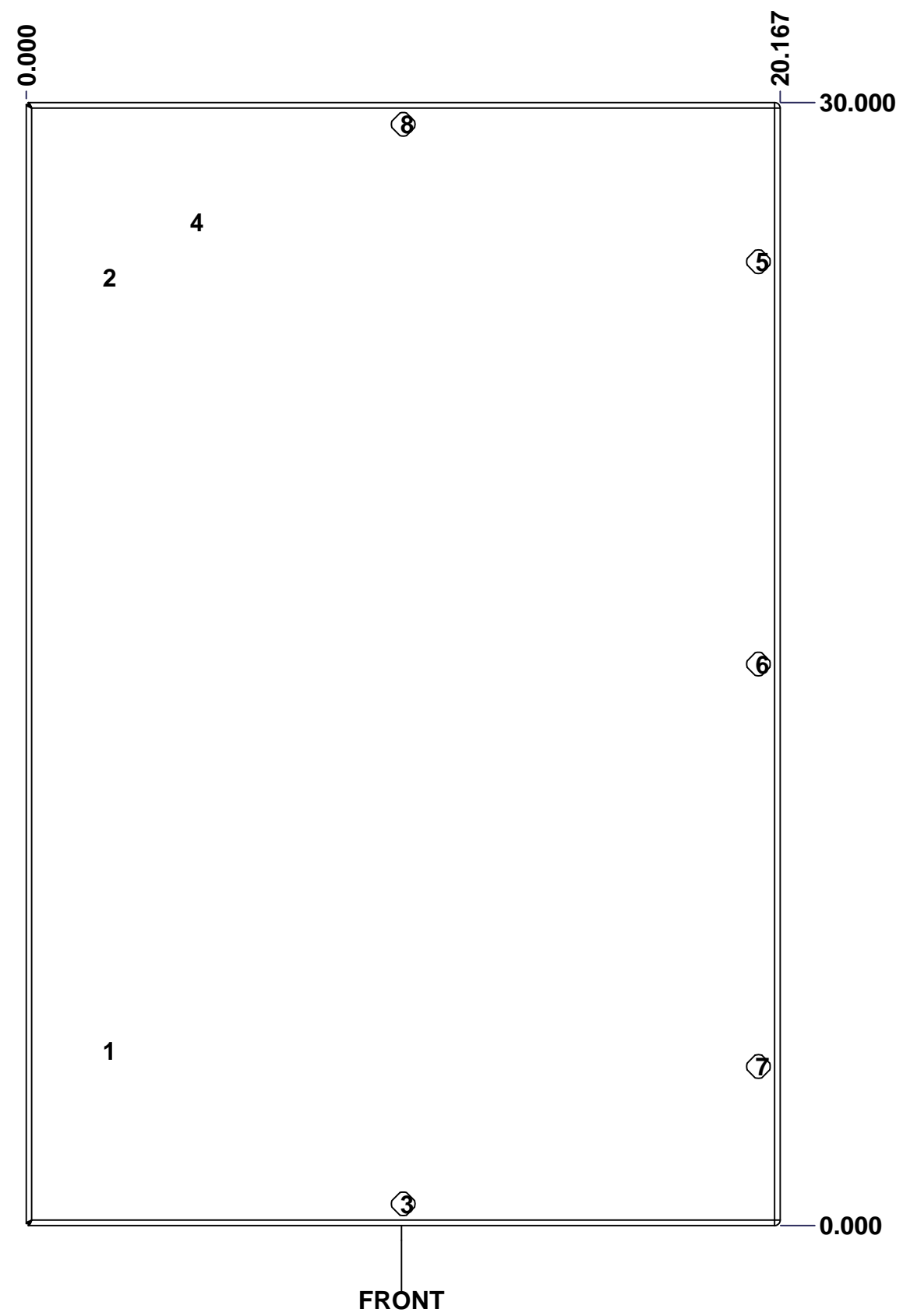
Ce dessin est confidentiel et ne doit pas être reproduit ou utilisé sans le consentement de EXM

STANDARD FEATURES ARE NOT LISTED IN THIS HOLE TABLE

HOLE TABLE - FRONT VIEW (CUSTOM FEATURE ONLY)

CUT-OUT	XDIM	YDIM	DESCRIPTION
1	2.122	4.665	STUD M6 x 18mm (Inside)
2	2.122	25.335	STUD M6 x 18mm (Inside)

3	10.084	0.580	LOCK 880 SCQ5-SL @ 90.0°
4	4.458	26.803	LABEL_EXM (Inside)
5	19.587	25.750	LOCK 880 SCQ5-SL @ 180.0°
6	19.587	15.000	LOCK 880 SCQ5-SL @ 180.0°
7	19.587	4.250	LOCK 880 SCQ5-SL @ 180.0°
8	10.084	29.420	LOCK 880 SCQ5-SL @ 270.0°



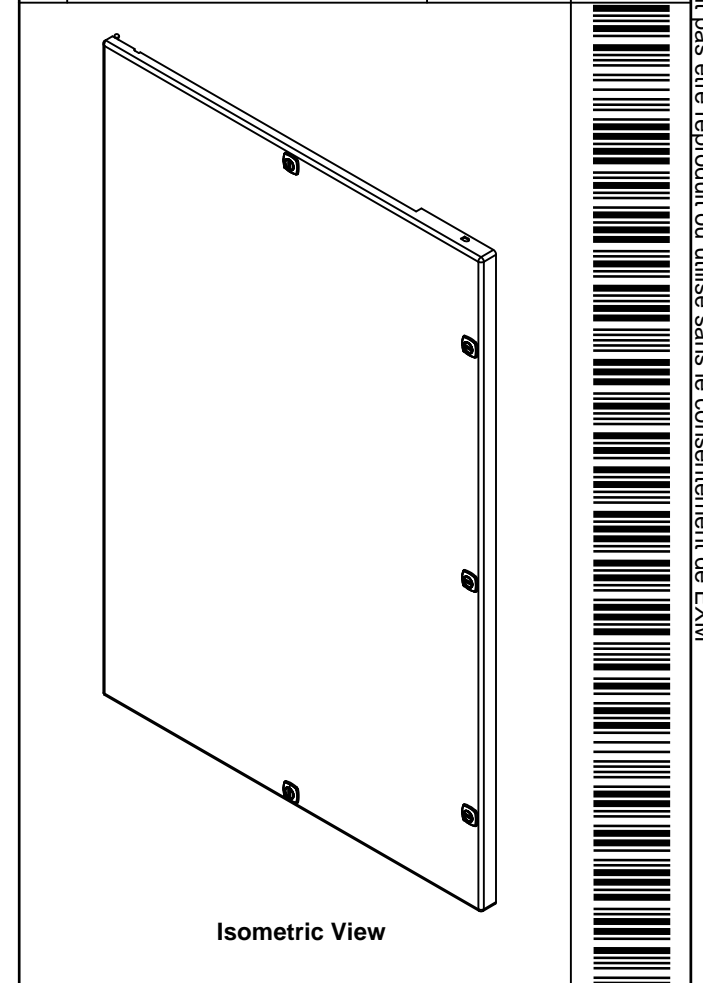
FRONT

	Description	Status	
	5412ESEL 30" x 20" Cover	(NULL)	
	Part Number Numéro Pièce	Rev.	
	5412ESEL302010C	0	2 3

This drawing is confidential and must not be reproduced or used without the consent of EXM

Ce dessin est confidentiel et ne doit pas être reproduit ou utilisé sans le consentement de EXM

No.	Revisions	Date	By/Par



Qty	Part Name	Rev	Description
5	STK-A-79955	2	5412 ESEL Plastic Clip-in 1/4 Turn Lock
1	STK-P-02400S	0	Powder Paint (Asa-61 Grey / Smooth)
2	STK-Q-16055	1	M6 x 18mm Stud (No Paint Cap Required)
1	STK-S-00100	0	3.5" x 2" Silver Milar Flexcon Sticker
1	MCC_5412ESEL302010H-P-P	0	5412ESEL 30" x 20" Cover Part
1	MCC_5412ESEL302010H-P	0	5412ESEL 30" x 20" Cover Part
1	STK-Q-46020-24	5	5412 ES Vertical Door Stiffener 24"
1	MCC_5412ESEL302010G	0	5412ESEL 30" x 20" Cover Gasket Part
1	MCC_5412ESEL302010C-P	0	5412ESEL 30" x 20" Cover Part
2	STK-Q-07220	1	M6 Nylon Insert Lock Nut

Parts List

Tél: (450) 979-4373
Fax: (450) 979-4626
www.exmweb.com

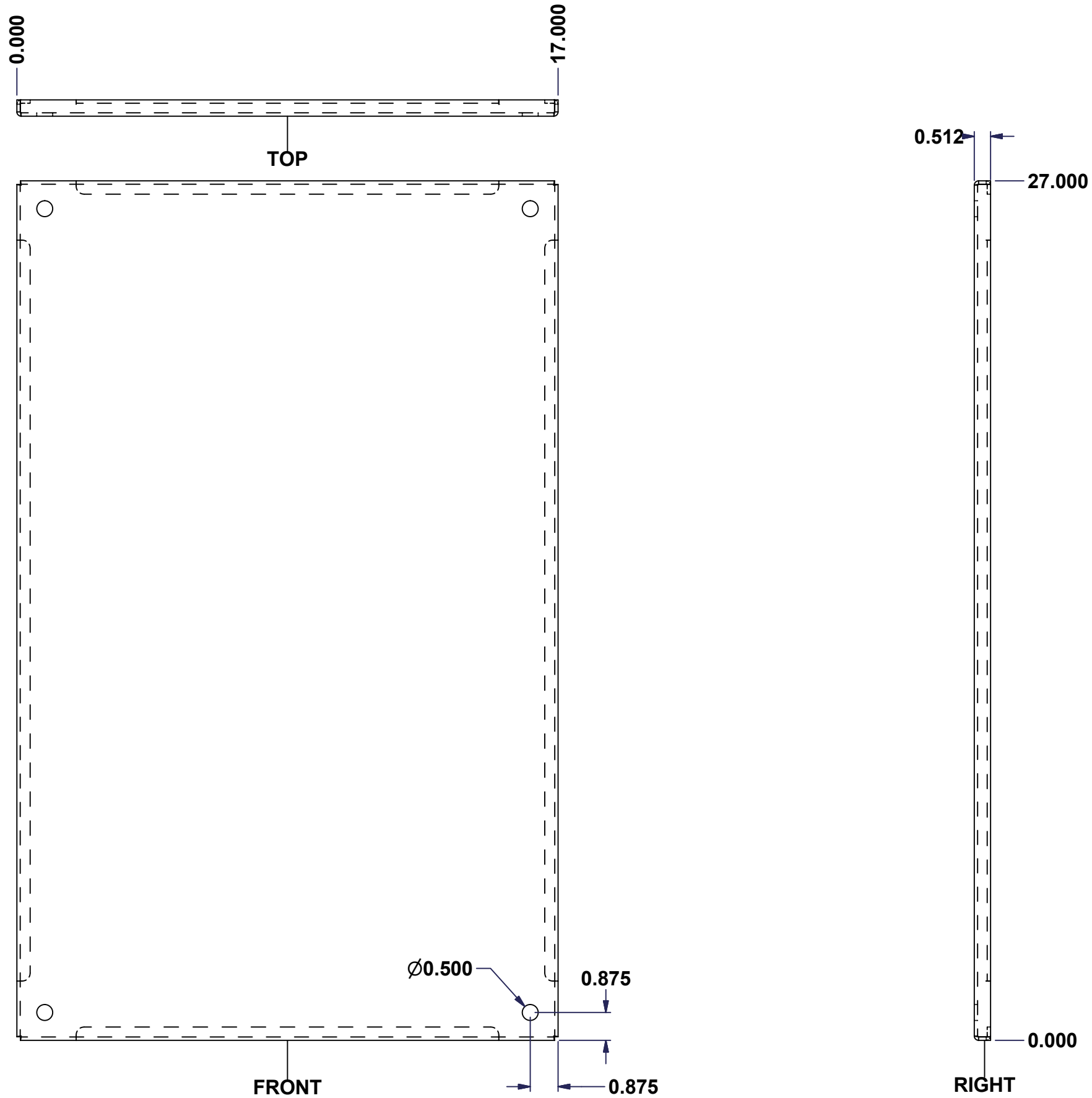
Flatness
Aplatissement
Max 3.0mm

Projection

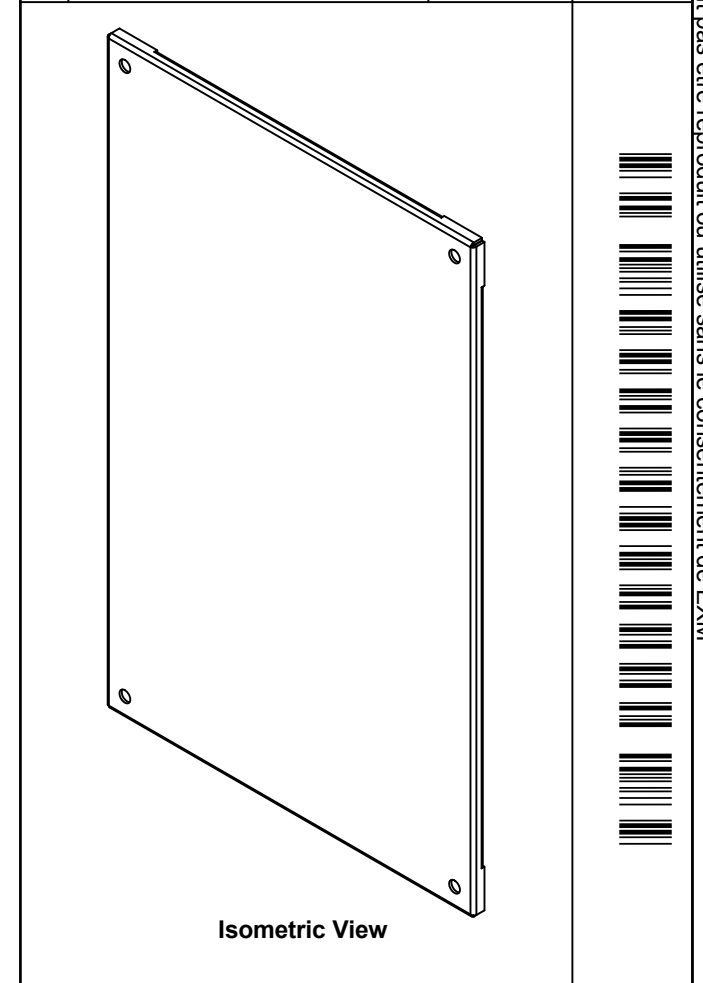
Customer Client		Date
Drawn By Dessiné Par	BoxCad: BoxCad	Date 03-Mar-20
Material Matière 16 Ga H.R.P. & O. (1.4mm)		
Color Couleur	Asa-61 Grey	Finish Fini Smooth
Description 5412ESEL 30" x 20" Cover		Detail Rev.
Part Number Numéro Pièce 5412ESEL302010C		Rev. 3 0 3

This drawing is confidential and must not be reproduced or used without the consent of EXM

Ce dessin est confidentiel et ne doit pas être reproduit ou utilisé sans le consentement de EXM



No.	Revisions	Date	By/Par



Tél: (450) 979-4373 Fax: (450) 979-4626 www.exmweb.com		Flatness Aplatissement Max 3.0mm Projection
Customer Client	Date	
Drawn By Dessiné Par	BoxCad: nickz	Date 01/03/2017
Material Matière	12 Ga Galvanized (2.5mm)	
Color Couleur	See Part List	Finish Fini See Part List
Description		Detail Rev.
885SP 30" x 20" Inner Panel Part		
Part Number Numéro Pièce	Rev.	1
885SP3020G	0	1

Qty	Part Number	Rev	Description	Material	Color	Finish
1	885SP3020G-P	0	885SP 30" x 20" Inner Panel Part	12 Ga Galvanized (2.5mm)	Unpainted	Galvanized

Parts List