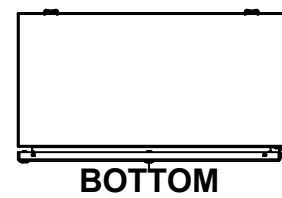
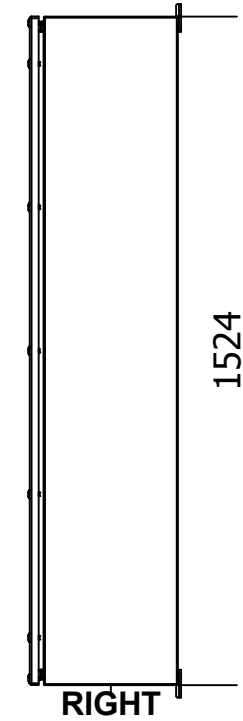
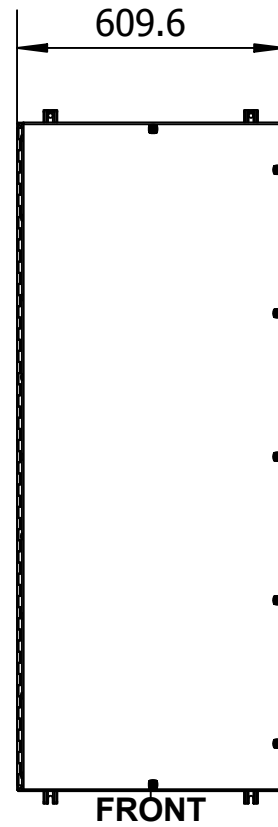
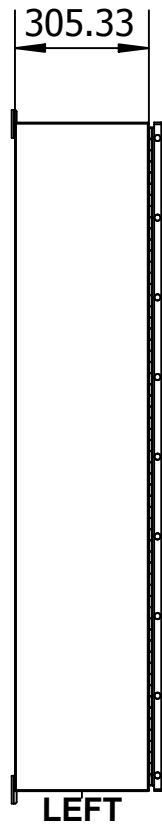
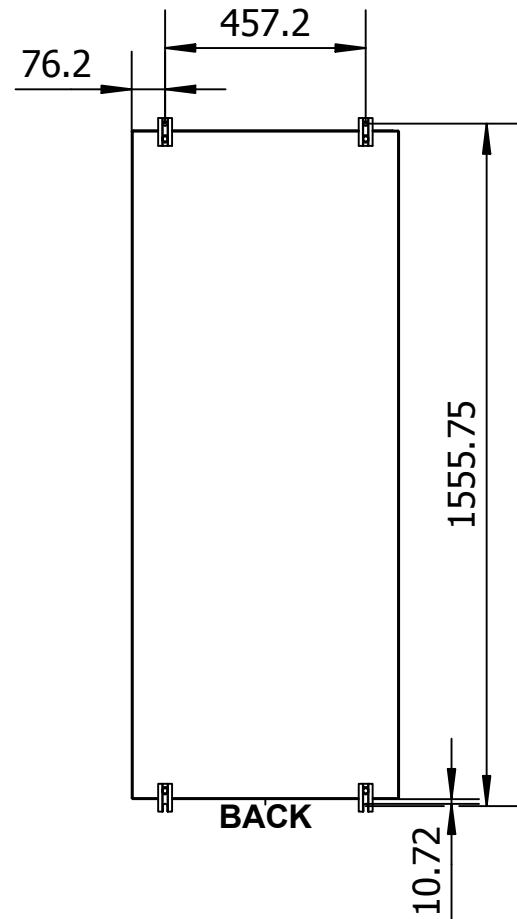
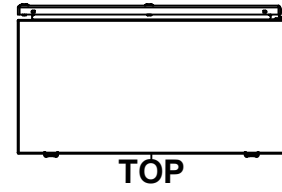
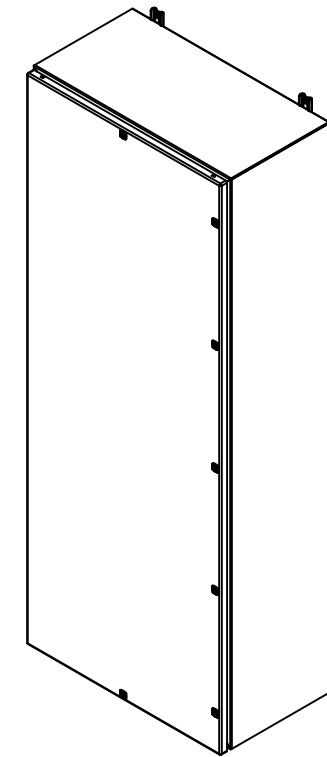



This drawing is confidential and must not be reproduced or used without the consent of EXM

Ce dessin est confidentiel et ne doit pas être reproduit ou utilisé sans le consentement de EXM



No.	Revisions	Date	By/Par



 Tél: (450) 979-4373 Fax: (450) 979-4626 www.exmweb.com		Flatness Aplatissement	
		Max 3.0mm	
Customer Client		Date	
Drawn By Dessiné Par		Date 27-Aug-21	
Material Matière		14 Ga H.R.P. & O. (1.7mm)	
Color Couleur		Asa-61 Grey	Finish Fini Smooth
Description			Detail Rev.
5412ESEL 60" x 24" x 12" Assembly			
Part Number Numéro Pièce		Rev.	1
5412ESEL602412		0	2

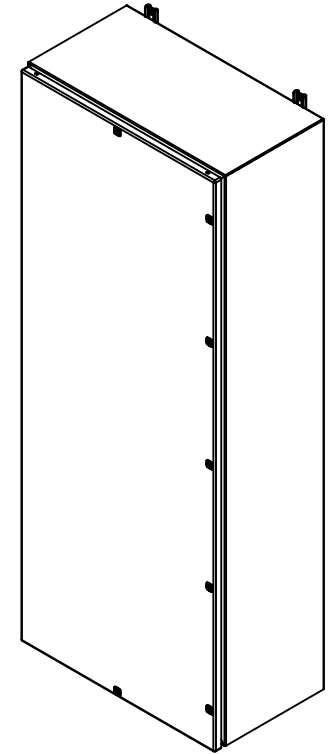
SEE BILL OF MATERIAL ON LAST PAGE

This drawing is confidential and must not be reproduced or used without the consent of EXM

Ce dessin est confidentiel et ne doit pas être reproduit ou utilisé sans le consentement de EXM

NOTE	
ITEM	DESCRIPTION
1	NEMA 4/12 Enclosure
2	C/W Standard ground studs on box and cover
3	W/O Standard door stiffener
4	C/W Standard inner panel (Sold separately)
5	C/W Standard inner panel mounting studs
6	C/W 885 ESMF1_OPEN Sold separately (Kit)
7	C/W 885 ESMF1_CLOSE Sold separately (Kit)

No.	Revisions	Date	By/Par



Isometric View


 Tél: (450) 979-4373
 Fax: (450) 979-4626
www.exmweb.com

Flatness
 Aplatissement
 Max 3.0mm
 Projection


Customer Client	Date
Drawn By Dessiné Par	Date 27-Aug-21

Material Matière: 14 Ga H.R.P. & O. (1.7mm)

Color Couleur: Asa-61 Grey
Finish Fini: Smooth

Description: 5412ESEL 60" x 24" x 12" Assembly
Detail Rev.

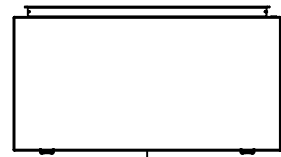
Part Number Numéro Pièce: **5412ESEL602412**
Rev. 0

PACKING		
ITEM	QTY	DESCRIPTION
Cardboard sleeve	2	Top and Bottom
Cardboard strip	2	Between back of enclosure and inner panel
Plastic bag	1	To protect cover surface and inside gasket
Cardboard corner	4	To reinforced for the plastic strap tightening
Plastic strap - Black	2	To Squeeze 2 cardboard sleeve together
Packaging label	3	White label with PN
Plastic strap- Green	2	To secure the enclosure to the wood pallet
Wood Pallet	1	2" deeper and 3" larger than enclosure size

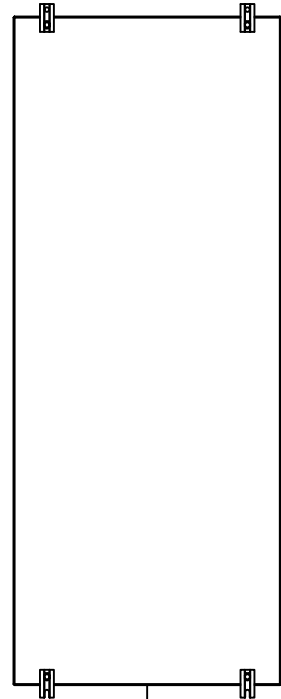
Qty	Part Number	Rev	Description
9	STK-Q-04050-10	8	M6 x 10mm Hexagon Socket Head Machine Screw with Nyseal
1	880 PP	6	Self Adhesive Print Pocket
1	STK-K-01800	5	5412 ES Accessory Kit
1	885SP6024G	0	885SP 60" x 24" Inner Panel Part
1	5412ESEL602412C	0	5412ESEL 60" x 24" Cover
6	STK-Q-07310	2	Flange Lock Nut M8
6	STK-Q-07610	8	M8 Plastic Spacer 22.2mm
1	5412ESEL602412B	0	5412ESEL 60" x 24" x 12" Body
Parts List			

This drawing is confidential and must not be reproduced or used without the consent of EXM

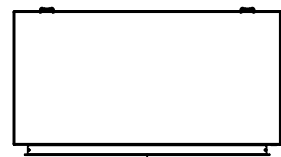
Ce dessin est confidentiel et ne doit pas être reproduit ou utilisé sans le consentement de EXM



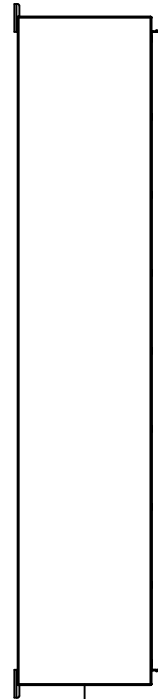
TOP



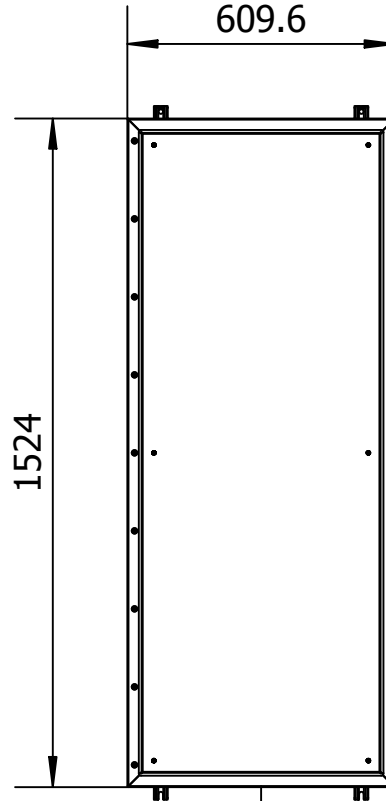
BACK



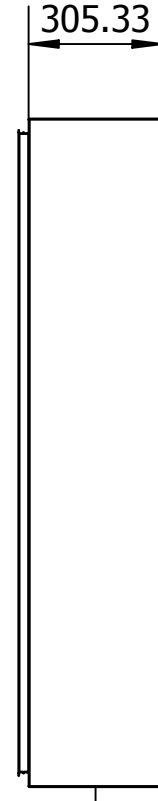
BOTTOM



LEFT

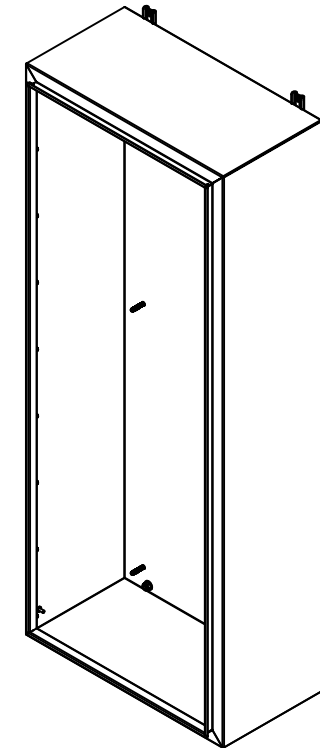


FRONT




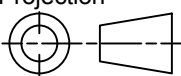
RIGHT

No.	Revisions	Date	By/Par



Isometric View

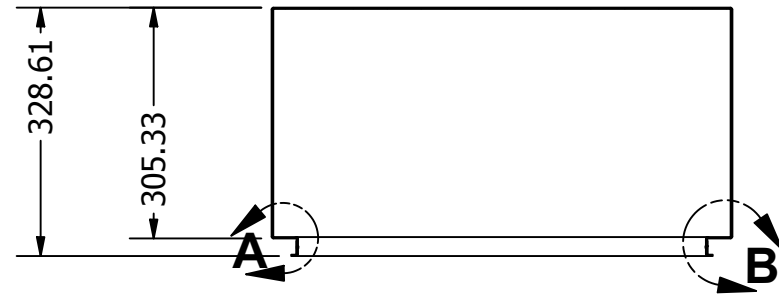


 Tél: (450) 979-4373 Fax: (450) 979-4626 www.exmweb.com		Flatness Aplatissement Max 3.0mm Projection 	
Customer Client		Date	
Drawn By Dessiné Par BoxCad: HunterZ		Date 27-Aug-21	
Material Matière 14 Ga H.R.P. & O. (1.7mm)			
Color Couleur Asa-61 Grey		Finish Fini Smooth	
Description 5412ESEL 60" x 24" x 12" Body			Detail Rev.
Part Number Numéro Pièce 5412ESEL602412B		Rev. 0	1 / 7

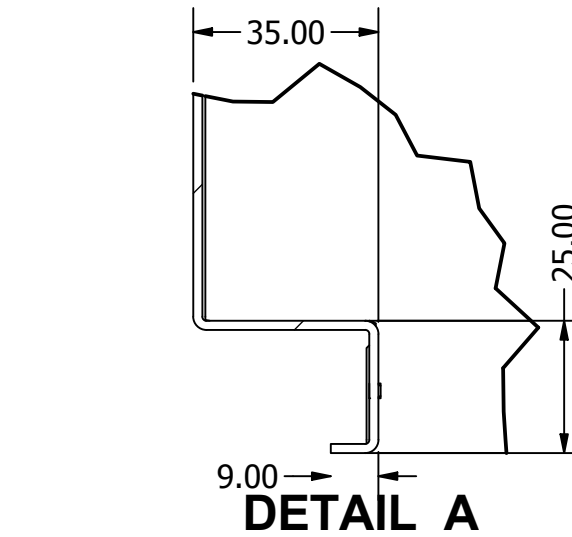
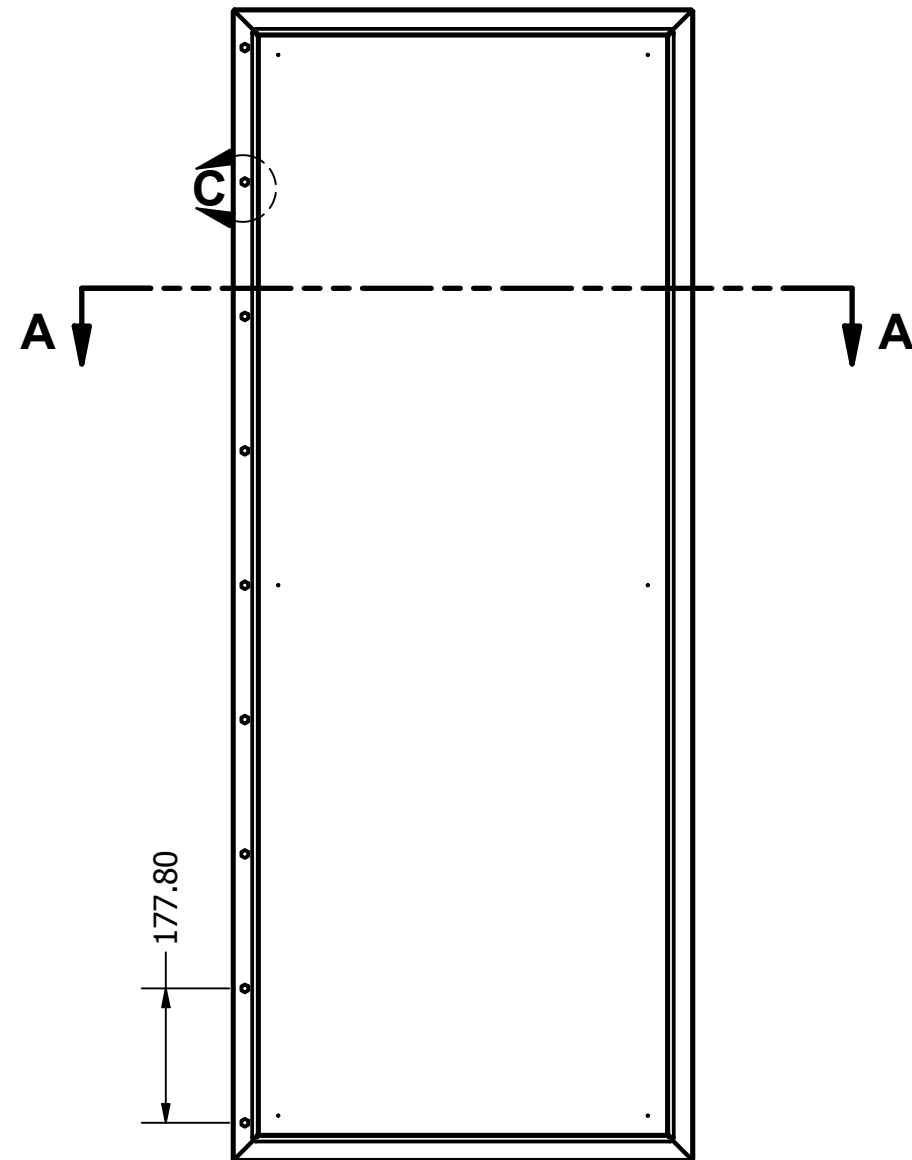
SEE BILL OF MATERIAL ON LAST PAGE

This drawing is confidential and must not be reproduced or used without the consent of EXM

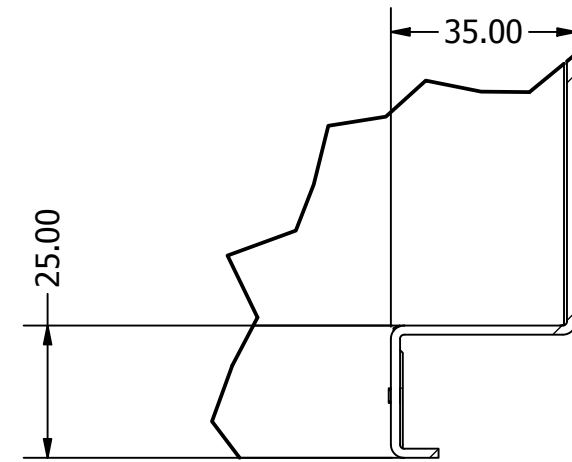
Ce dessin est confidentiel et ne doit pas être reproduit ou utilisé sans le consentement de EXM



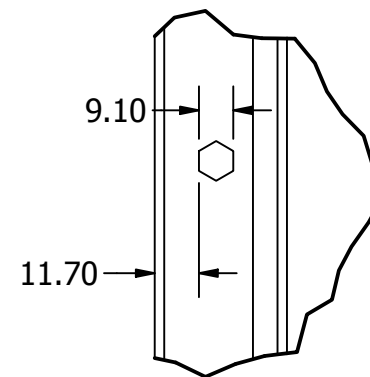
SECTION A-A



DETAIL A

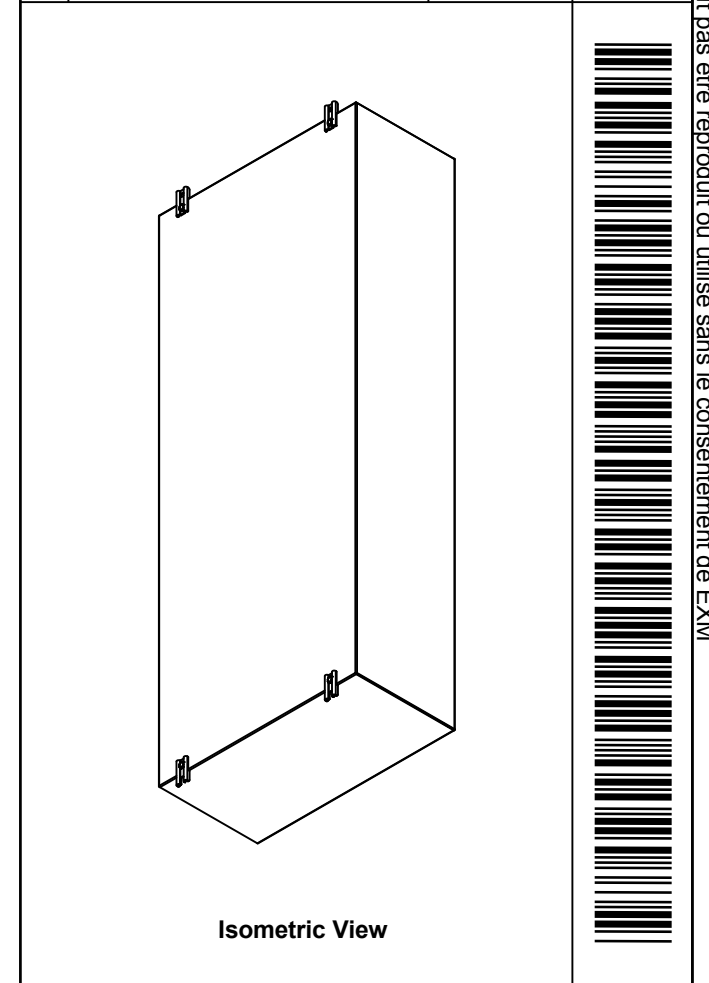


DETAIL B



DETAIL C

No.	Revisions	Date	By/Par


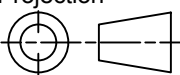


Isometric View



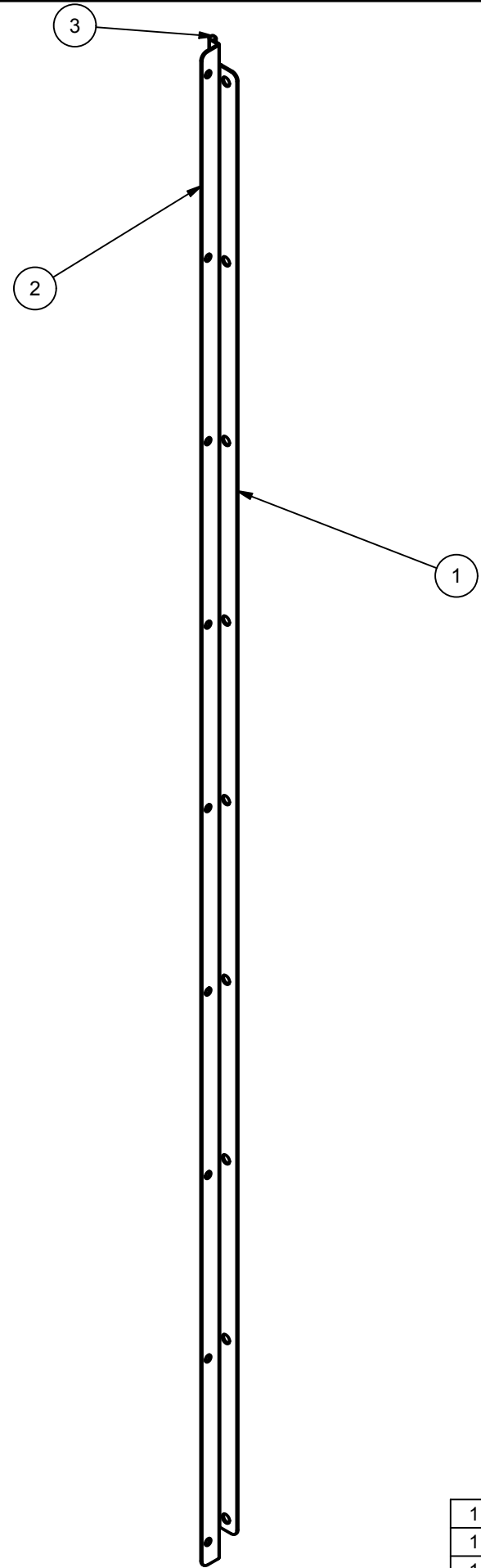
Qty	Part Number	Rev	Description
1	STK-Q-16080	0	Ground Stud M6 x 16mm
9	RIVET_NUT_SS_M6_FH_CE	0	Stainless Steel Rivet Nut M6 (Low Profile Close End)
1	STK-P-02400S	0	Powder Paint (Asa-61 Grey / Smooth)
6	STK-Q-16005	1	Stud M8 x 35 (No Paint Cap Required)
1	5412ESEL602412B-P	0	5412ESEL 60" x 24" x 12" Body Part
2	885 ESMF1_CLOSE	0	885 ESMF1 Mounting Foot (Closed Hole)
2	885 ESMF1_OPEN	0	885 ESMF1 Mounting Foot (Opened Hole)

Parts List

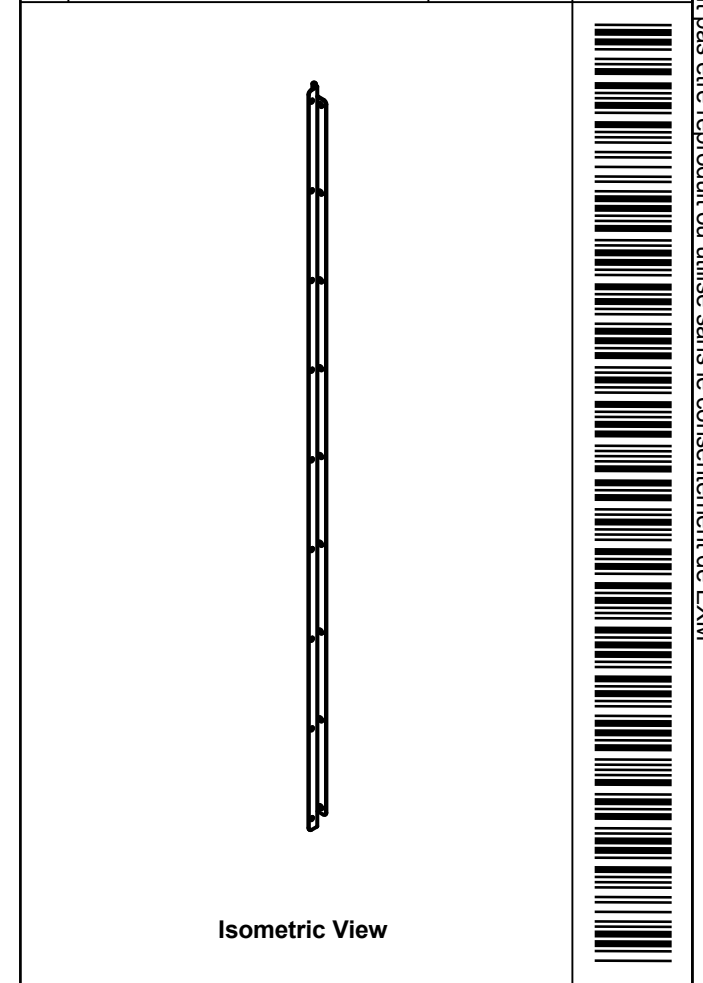
 Tél: (450) 979-4373 Fax: (450) 979-4626 www.exmweb.com		Flatness Aplatissement Max 3.0mm Projection 
Customer Client	Date	
Drawn By Dessiné Par	BoxCad: HunterZ	Date 27-Aug-21
Material Matière	14 Ga H.R.P. & O. (1.7mm)	
Color Couleur	Asa-61 Grey	Finish Fini Smooth
Description	Detail Rev.	
5412ESEL 60" x 24" x 12" Body		
Part Number Numéro Pièce	Rev.	7
5412ESEL602412B	0	7


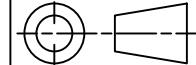
This drawing is confidential and must not be reproduced or used without the consent of EXM

Ce dessin est confidentiel et ne doit pas être reproduit ou utilisé sans le consentement de EXM



No.	Revisions	Date	By/Par

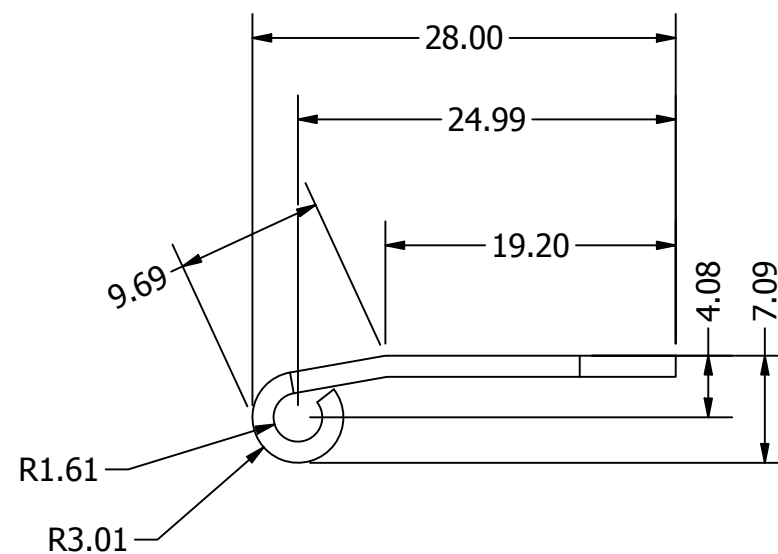
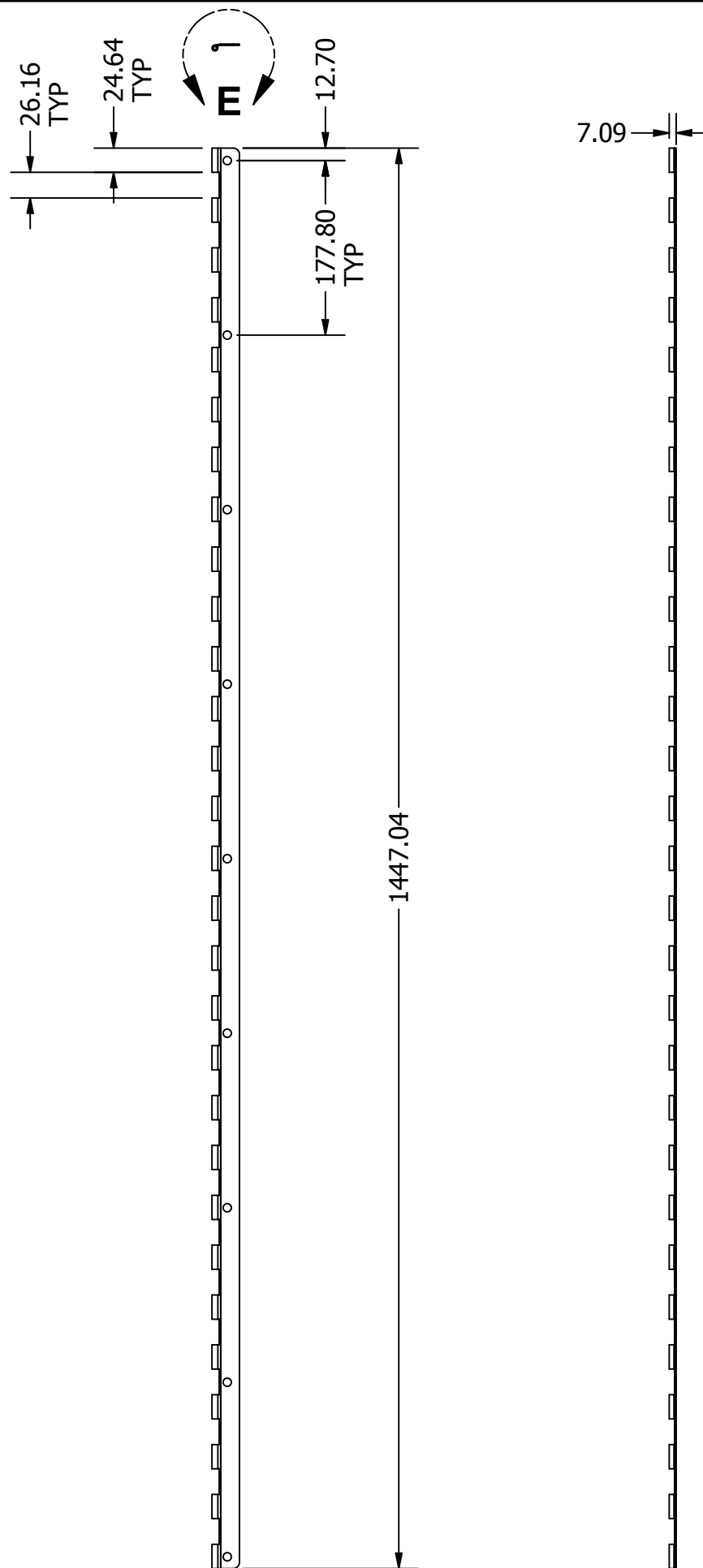


 Tél: (450) 979-4373 Fax: (450) 979-4626 www.exmweb.com		Flatness Aplatissement Max 3.0mm Projection 
Customer Client	Date	
Drawn By Dessiné Par	BoxCad: Kevin Kouassi	Date
Material Matière	See Part List	
Color Couleur	See Part List	Finish Fini See Part List
Description		Detail Rev.
Part Number Numéro Pièce	Rev.	1
Parts List		4

Qty	Part Number	Rev.	Description
1	5412ESEL602412HP-P	0	5412ESEL 60" x 24" Cover Part
1	5412ESEL602412H2-P	0	5412 ESEL 60" Piano Hinge Part 2
1	5412ESEL602412H1-P	0	5412 ESEL 60" Piano Hinge Part 1

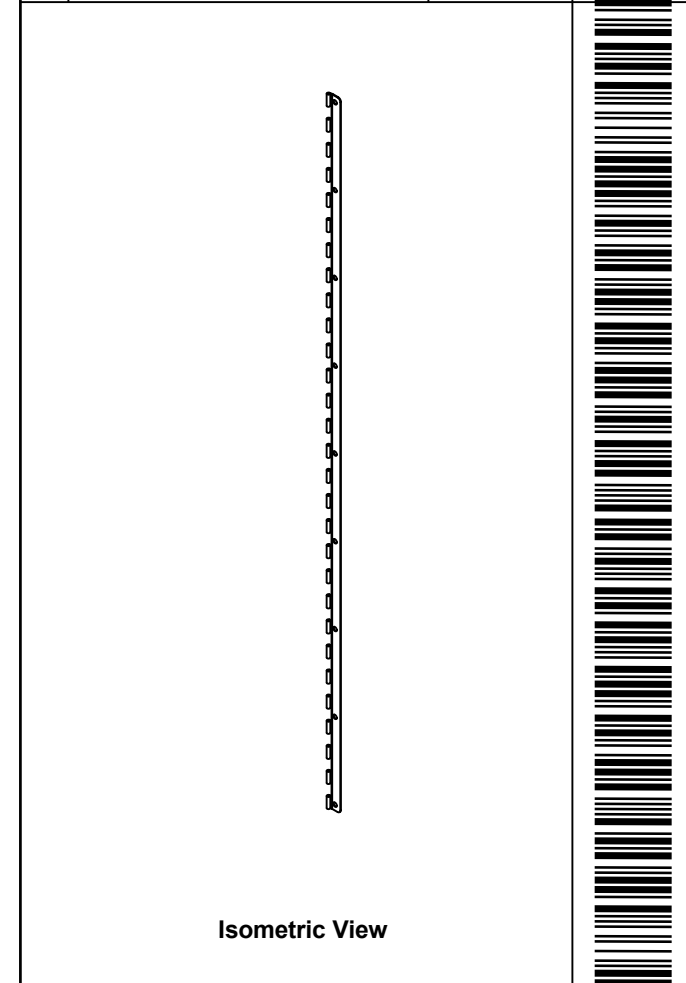
This drawing is confidential and must not be reproduced or used without the consent of EXM

Ce dessin est confidentiel et ne doit pas être reproduit ou utilisé sans le consentement de EXM



DETAIL E

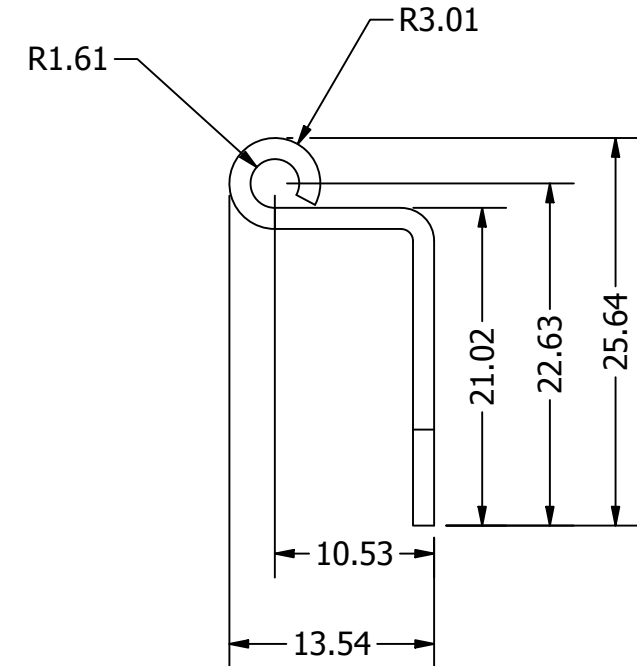
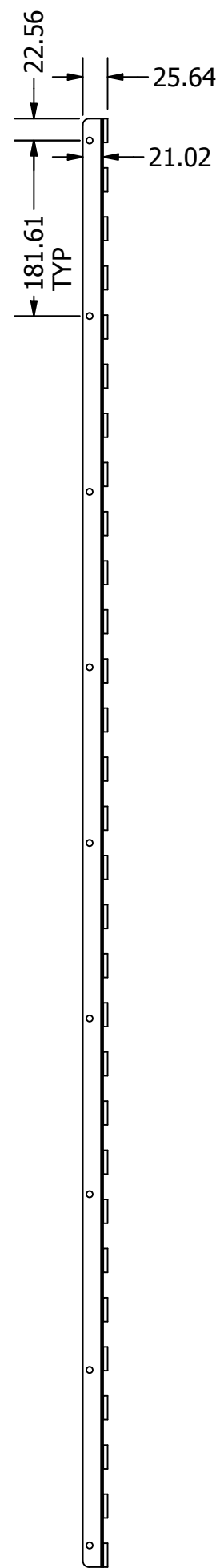
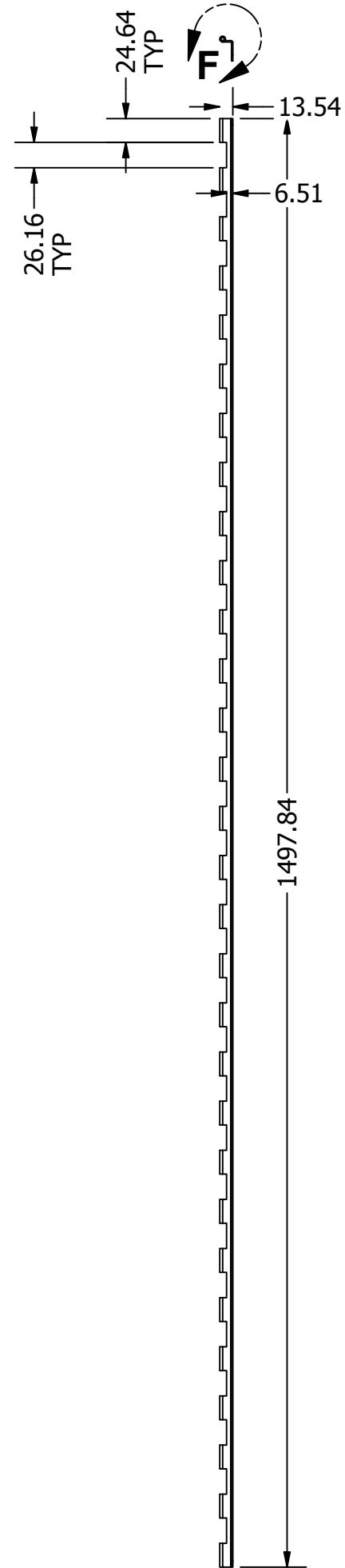
No.	Revisions	Date	By/Par



Tél: (450) 979-4373 Fax: (450) 979-4626 www.exmweb.com		Flatness Aplatissement Max 3.0mm Projection
Customer Client	Date	
Drawn By Dessiné Par	BoxCad: FanD	Date 09-Apr-14
Material Matière	16 Ga Cold Rolled Steel A1008 CS Type B	
Color Couleur	Sky Blue	Finish Fini Smooth
Description 5412 ESEL 60" Piano Hinge Part 1		Detail Rev.
Part Number Numéro Pièce	Rev. 0	2 / 4
5412ESEL602412H1-P		

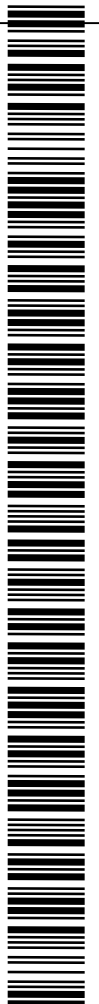
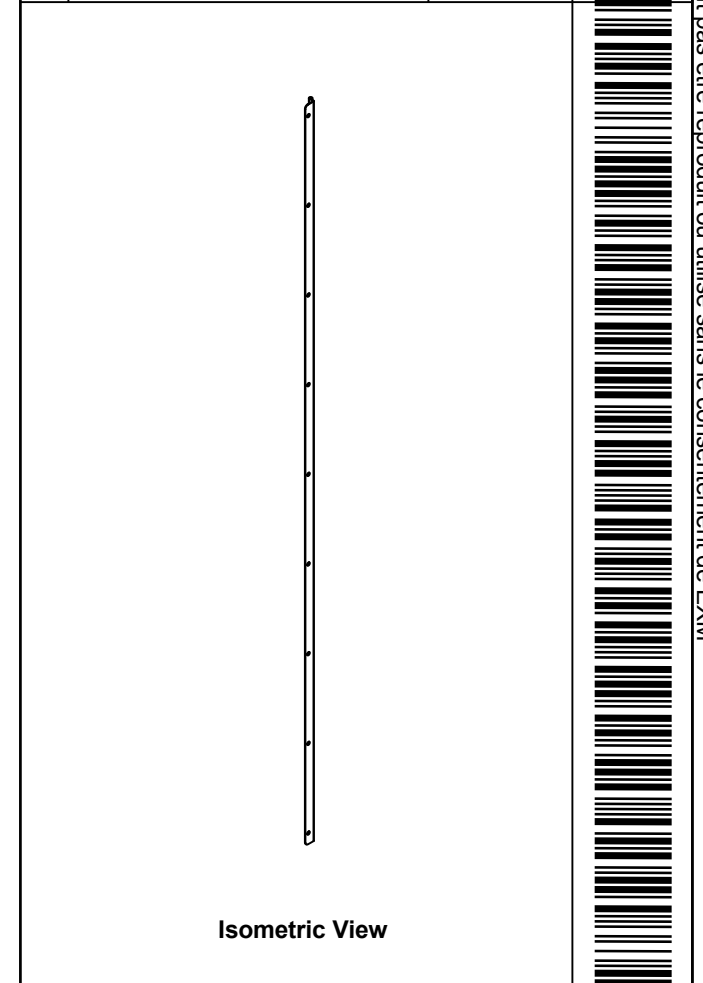
This drawing is confidential and must not be reproduced or used without the consent of EXM

Ce dessin est confidentiel et ne doit pas être reproduit ou utilisé sans le consentement de EXM



DETAIL F

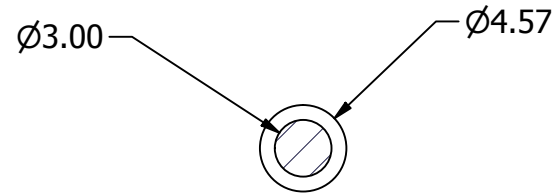
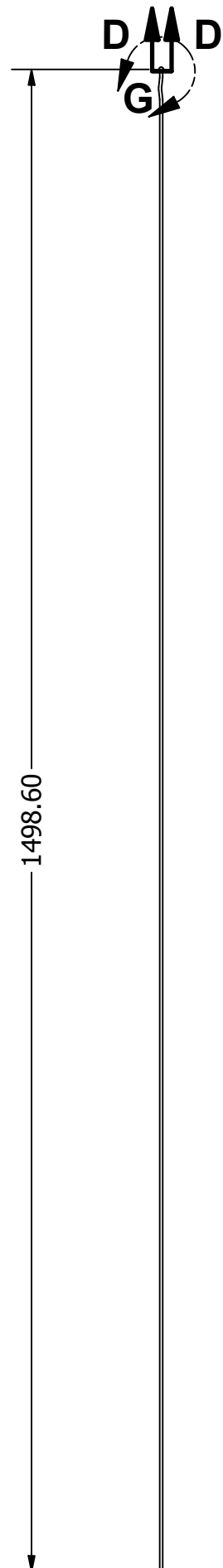
No.	Revisions	Date	By/Par



Tél: (450) 979-4373 Fax: (450) 979-4626 www.exmweb.com		Flatness Aplatissement Max 3.0mm Projection
Customer Client	Date	
Drawn By Dessiné Par	BoxCad: FanD	Date 09-Apr-14
Material Matière	16 Ga Cold Rolled Steel A1008 CS Type B	
Color Couleur	Sky Blue	Finish Fini Smooth
Description		Detail Rev.
5412ESEL 60" Piano Hinge Part 2		
Part Number Numéro Pièce	Rev.	
5412ESEL602412H2-P	0	3 4

This drawing is confidential and must not be reproduced or used without the consent of EXM

Ce dessin est confidentiel et ne doit pas être reproduit ou utilisé sans le consentement de EXM

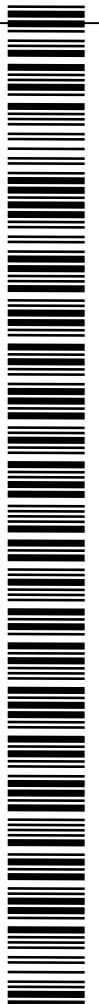
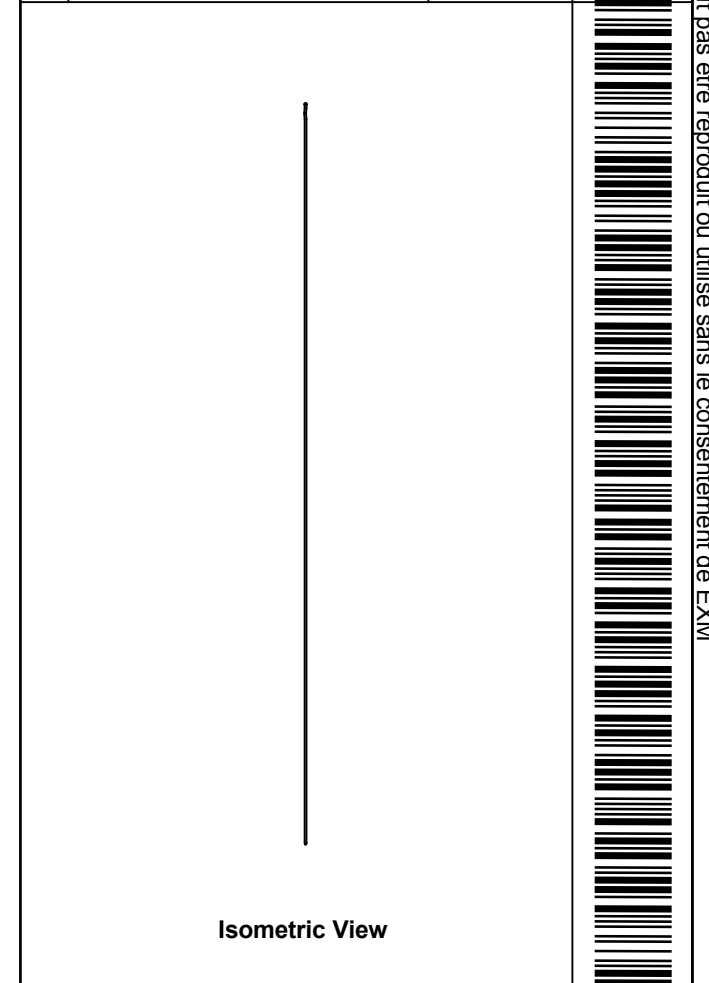



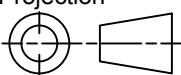
SECTION D-D



DETAIL G

No.	Revisions	Date	By/Par



 Tél: (450) 979-4373 Fax: (450) 979-4626 www.exmweb.com		Flatness Aplatissement Max 3.0mm
Customer Client		Projection 
Drawn By Dessiné Par BoxCad: 261476		Date 19-Jan-21
Material Matière Stainless Steel 3mm Rod		
Color Couleur Plain	Finish Fini Passivated	
Description 5412ESEL 60" x 24" Hinge Pin 40"		Detail Rev.
Part Number Numéro Pièce 5412ESEL602412HP-P		Rev. 0 / 4

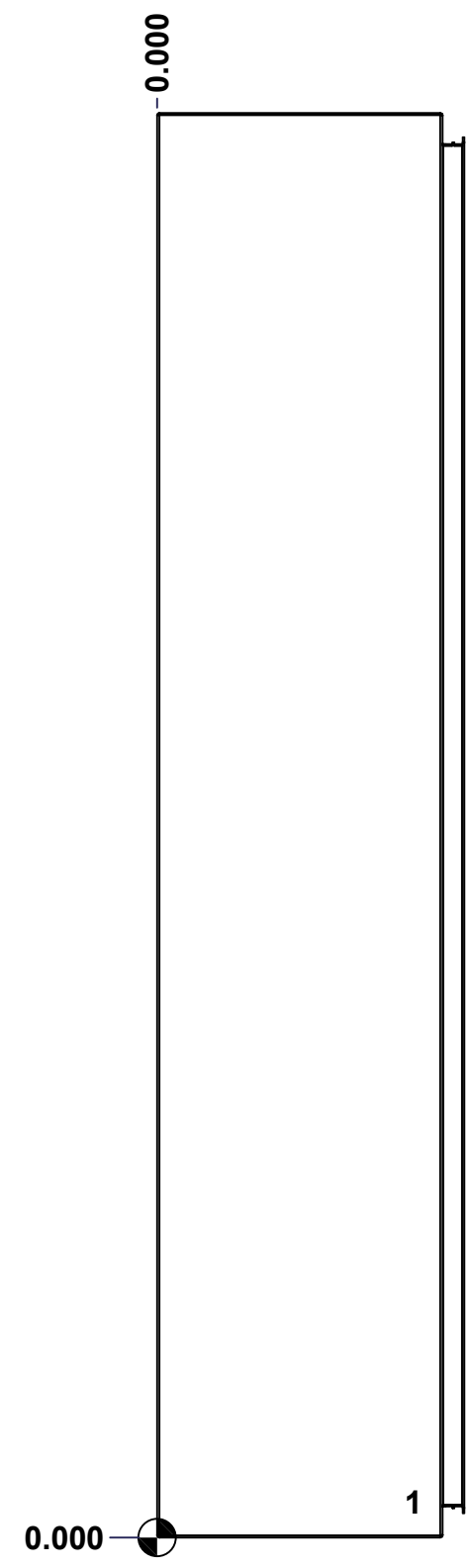
This drawing is confidential and must not be reproduced or used without the consent of EXM

Ce dessin est confidentiel et ne doit pas être reproduit ou utilisé sans le consentement de EXM

STANDARD FEATURES ARE NOT LISTED IN THIS HOLE TABLE

HOLE TABLE - LEFT VIEW (CUSTOM FEATURE ONLY)

CUT-OUT	XDIM	YDIM	DESCRIPTION
1	10.500	2.000	GND STUD M6 x 16mm (Inside)



	Description	Status
	5412ESEL 60" x 24" x 12" Body	
	Part Number Numéro Pièce	Rev.
	5412ESEL602412B	0
		5 7

This drawing is confidential and must not be reproduced or used without the consent of EXM

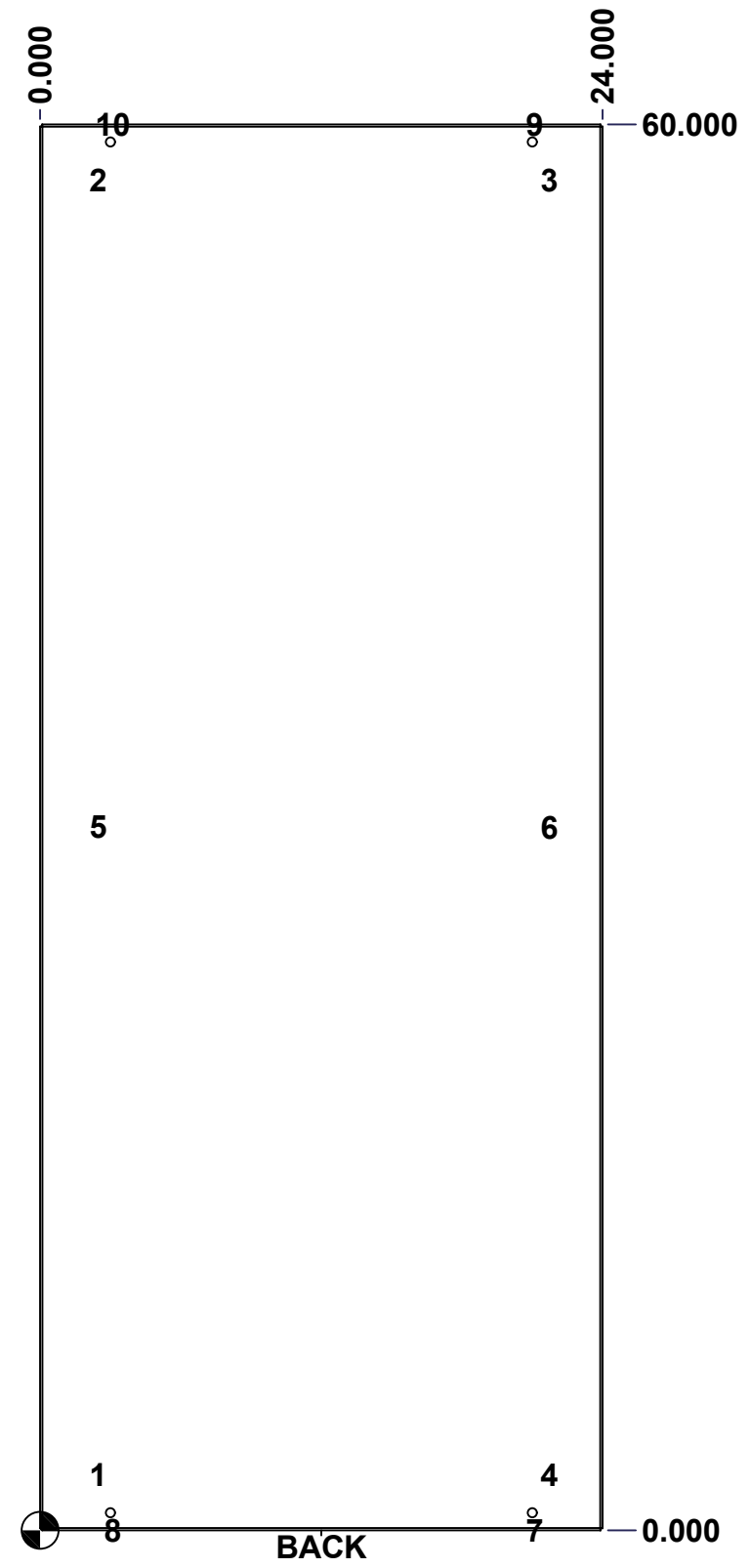
Ce dessin est confidentiel et ne doit pas être reproduit ou utilisé sans le consentement de EXM

STANDARD FEATURES ARE NOT LISTED IN THIS HOLE TABLE

HOLE TABLE - BACK VIEW (CUSTOM FEATURE ONLY)

CUT-OUT	XDIM	YDIM	DESCRIPTION
1	2.375	2.375	IP STUD M8 x 35mm (Inside)
2	2.375	57.625	IP STUD M8 x 35mm (Inside)
3	21.625	57.625	IP STUD M8 x 35mm (Inside)
4	21.625	2.375	IP STUD M8 x 35mm (Inside)
5	2.375	30.000	IP STUD M8 x 35mm (Inside)
6	21.625	30.000	IP STUD M8 x 35mm (Inside)

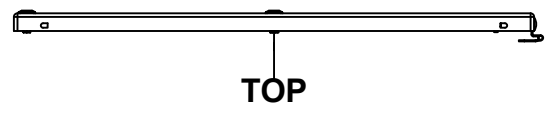
7	21.000	0.000	FOOT 885 ESMF1_OPEN
8	3.000	0.000	FOOT 885 ESMF1_OPEN
9	21.000	60.000	FOOT 885 ESMF1_CLOSE
10	3.000	60.000	FOOT 885 ESMF1_CLOSE



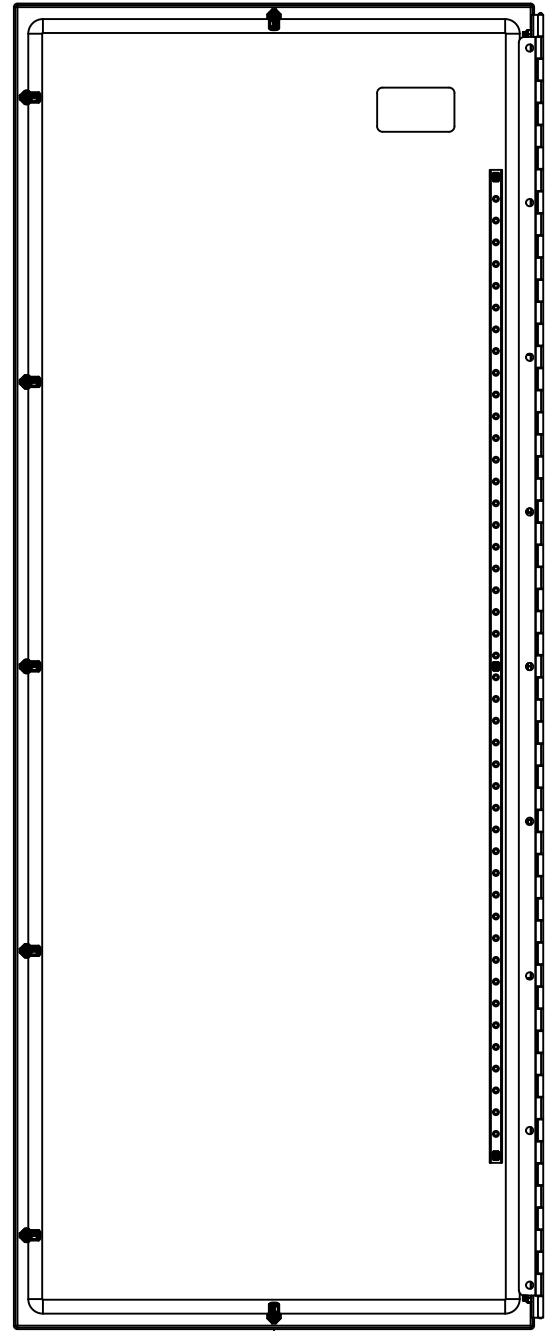
	Description	Status
	5412ESEL 60" x 24" x 12" Body	
	Part Number Numéro Pièce	Rev.
	5412ESEL602412B	0
		6 7

This drawing is confidential and must not be reproduced or used without the consent of EXM

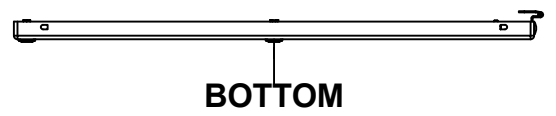
Ce dessin est confidentiel et ne doit pas être reproduit ou utilisé sans le consentement de EXM



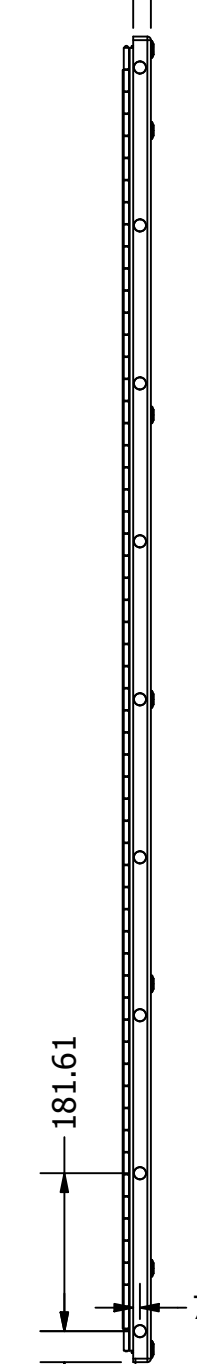
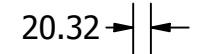
TOP



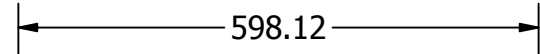
BACK



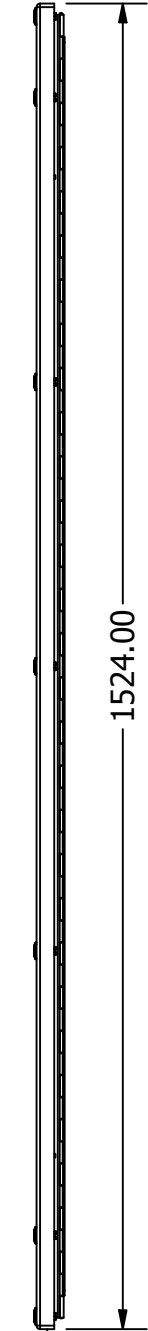
BOTTOM



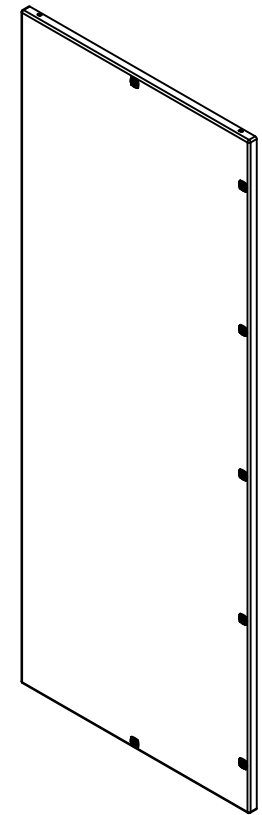
LEFT



FRONT




RIGHT



Isometric View



No.	Revisions	Date	By/Par

 Tél: (450) 979-4373 Fax: (450) 979-4626 www.exmweb.com		Flatness Aplatissement Max 3.0mm Projection 
Customer Client	Date	Date
Drawn By Dessiné Par	BoxCad: HunterZ	Date 27-Aug-21
Material Matière	14 Ga H.R.P. & O. (1.7mm)	
Color Couleur	Asa-61 Grey	Finish Fini Smooth
Description	Detail Rev.	
Part Number Numéro Pièce	Rev. 0	1 / 3

SEE BILL OF MATERIAL ON LAST PAGE

5412ESEL602412C

This drawing is confidential and must not be reproduced or used without the consent of EXM

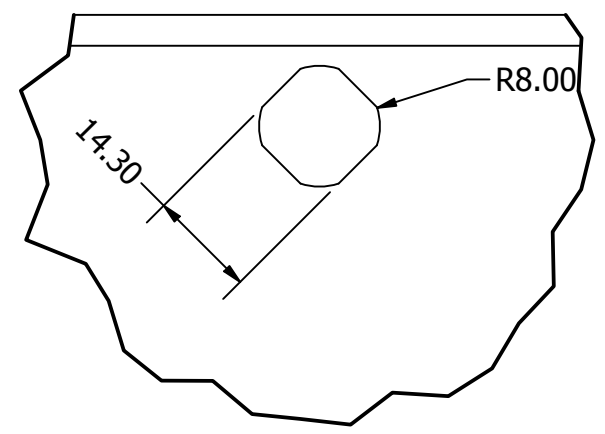
Ce dessin est confidentiel et ne doit pas être reproduit ou utilisé sans le consentement de EXM

STANDARD FEATURES ARE NOT LISTED IN THIS HOLE TABLE

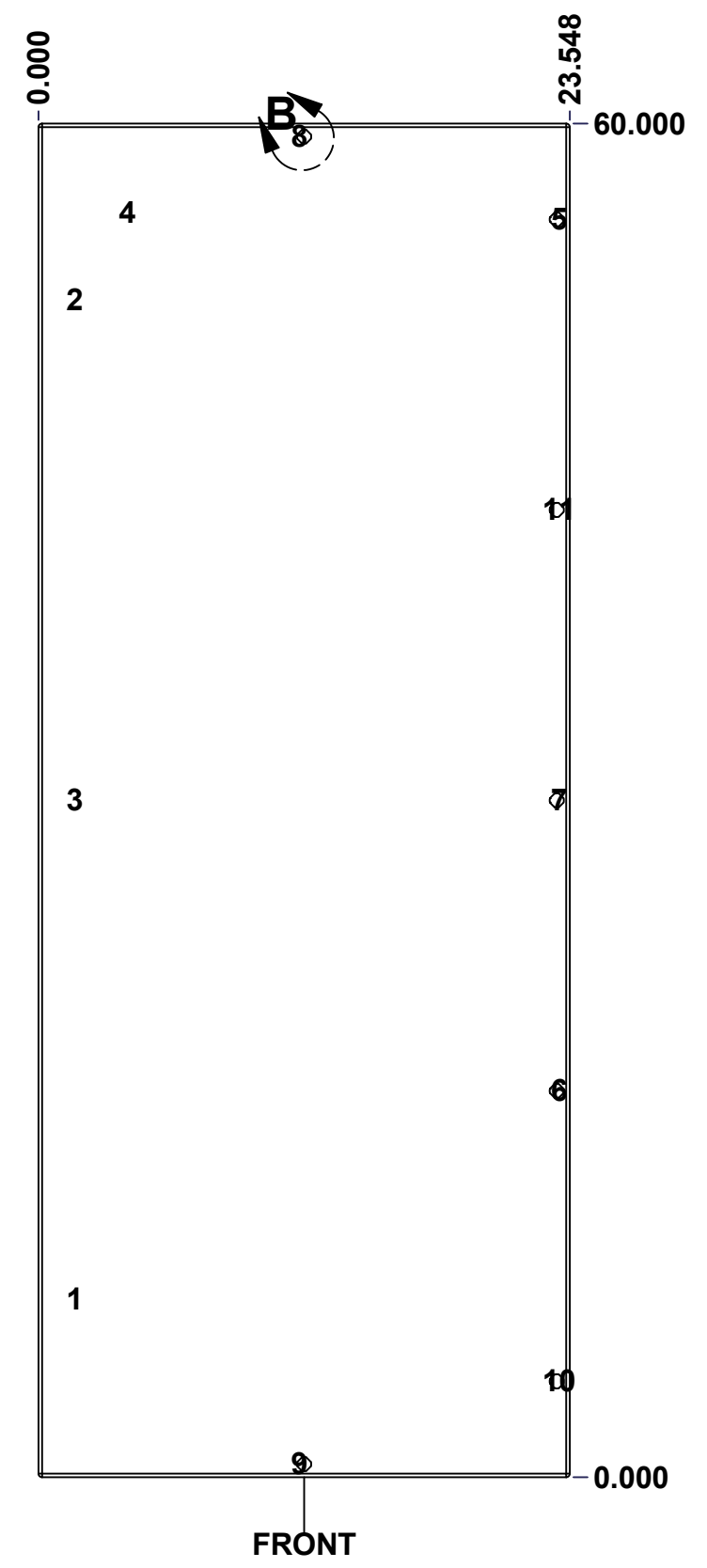
HOLE TABLE - FRONT VIEW (CUSTOM FEATURE ONLY)

CUT-OUT	XDIM	YDIM	DESCRIPTION
1	1.729	7.854	STUD M6 x 18mm (Inside)
2	1.729	52.146	STUD M6 x 18mm (Inside)
3	1.729	30.000	STUD M6 x 18mm (Inside)

4	4.458	56.053	LABEL_EXM (Inside)
5	22.969	55.750	LOCK 880 SCQ5-SL @ 180.0°
6	22.969	17.125	LOCK 880 SCQ5-SL @ 180.0°
7	22.969	30.000	LOCK 880 SCQ5-SL @ 180.0°
8	11.774	59.420	LOCK 880 SCQ5-SL @ 270.0°
9	11.774	0.580	LOCK 880 SCQ5-SL @ 90.0°
10	22.969	4.250	LOCK 880 SCQ5-SL @ 180.0°
11	22.969	42.875	LOCK 880 SCQ5-SL @ 180.0°



DETAIL B



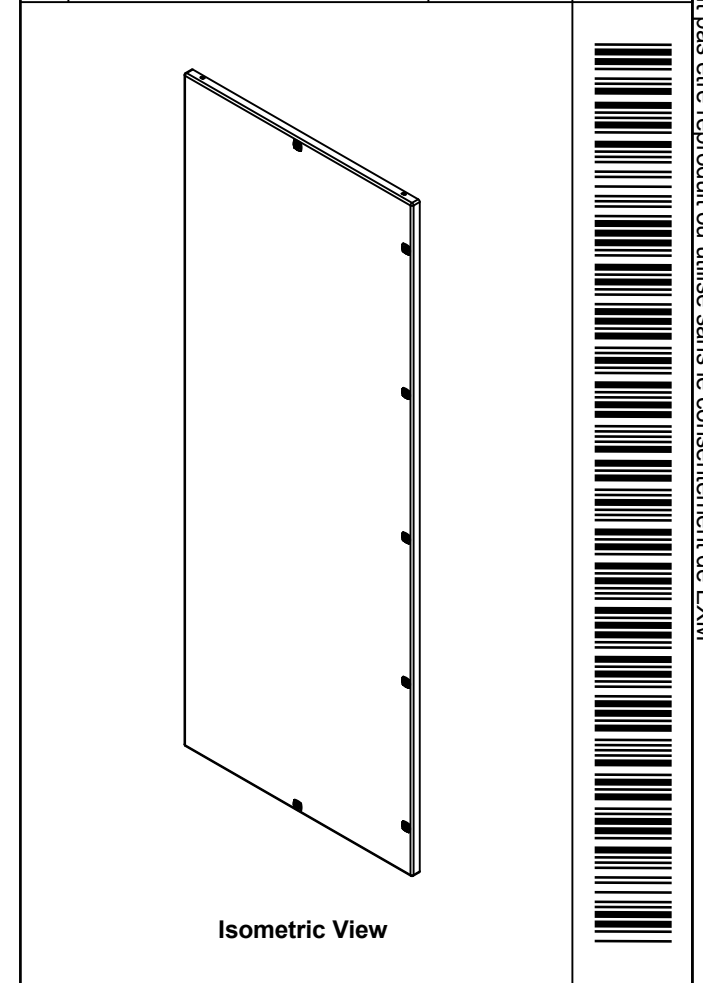
FRONT

	Description	Status
	5412ESEL 60" x 24" Cover	(NULL)
	Part Number Numéro Pièce	Rev.
	5412ESEL602412C	0 / 2 / 3


This drawing is confidential and must not be reproduced or used without the consent of EXM

Ce dessin est confidentiel et ne doit pas être reproduit ou utilisé sans le consentement de EXM

No.	Revisions	Date	By/Par

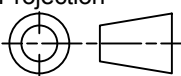


9	STK-Q-07225	0	M6 Stainless Steel Nylon Insert Lock Nut
9	STK-Q-00265	1	M6 x 13mm Stainless Steel 316 Carriage Bolt
1	5412ESEL602412HP	0	5412 ESEL 60" Piano Hinge Assembly
7	STK-A-79955	2	5412 ESEL Plastic Clip-in 1/4 Turn Lock
1	STK-S-00100	0	3.5" x 2" Silver Milar Flexcon Sticker
1	STK-P-02400S	0	Powder Paint (Asa-61 Grey / Smooth)
1	STK-Q-46020-48	5	5412 ES Vertical Door Stiffener 48"
3	STK-Q-16055	1	M6 x 18mm Stud (No Paint Cap Required)
1	5412ESEL602412G	0	5412ESEL 60" x 24" Cover Gasket Part
1	5412ESEL602412C-P	0	5412ESEL 60" x 24" Cover Part
3	STK-Q-07220	1	M6 Nylon Insert Lock Nut
Qty	Part Number	Rev.	Description
Parts List			



Tél: (450) 979-4373
Fax: (450) 979-4626
www.exmweb.com

Flatness
Aplatissement
Max 3.0mm

Projection


Customer Client		Date
Drawn By / Dessiné Par	BoxCad: HunterZ	Date 27-Aug-21
Material / Matière: 14 Ga H.R.P. & O. (1.7mm)		
Color / Couleur	Asa-61 Grey	Finish / Fini: Smooth
Description: 5412ESEL 60" x 24" Cover		Detail Rev.
Part Number / Numéro Pièce: 5412ESEL602412C		Rev. 0 / 3