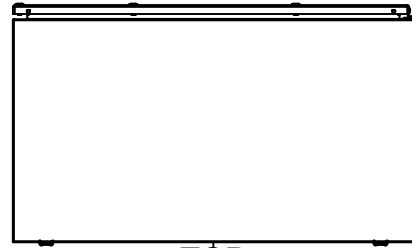
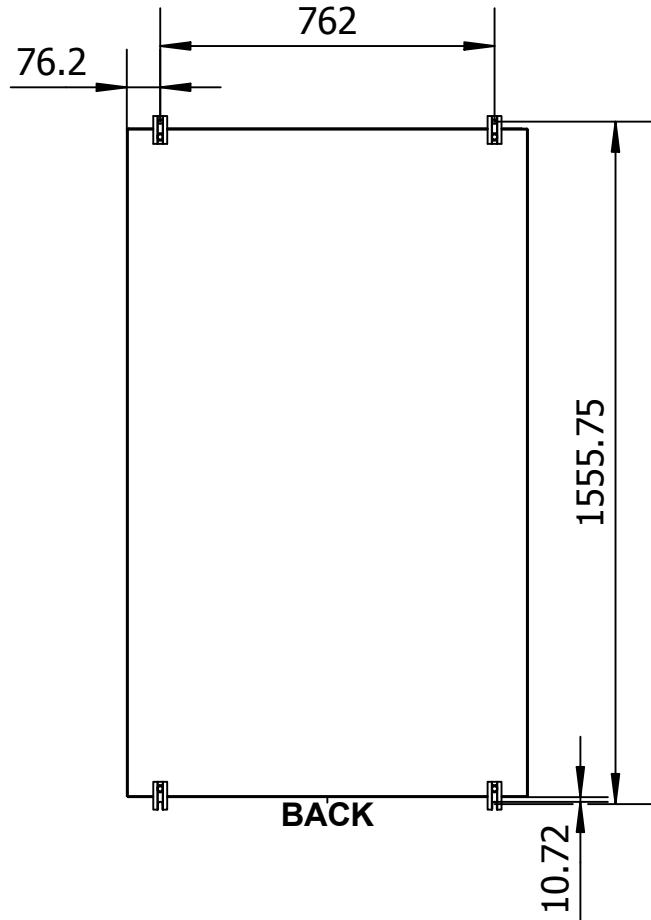


This drawing is confidential and must not be reproduced or used without the consent of EXM

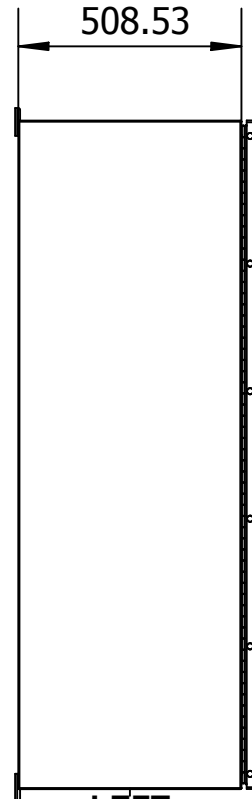
Ce dessin est confidentiel et ne doit pas être reproduit ou utilisé sans le consentement de EXM



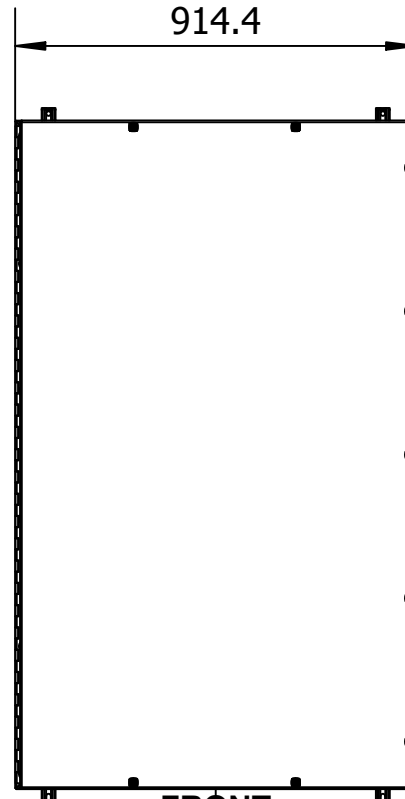
TOP



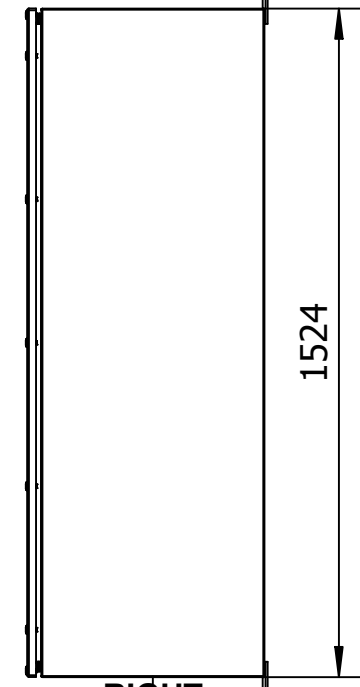
BACK



LEFT



FRONT

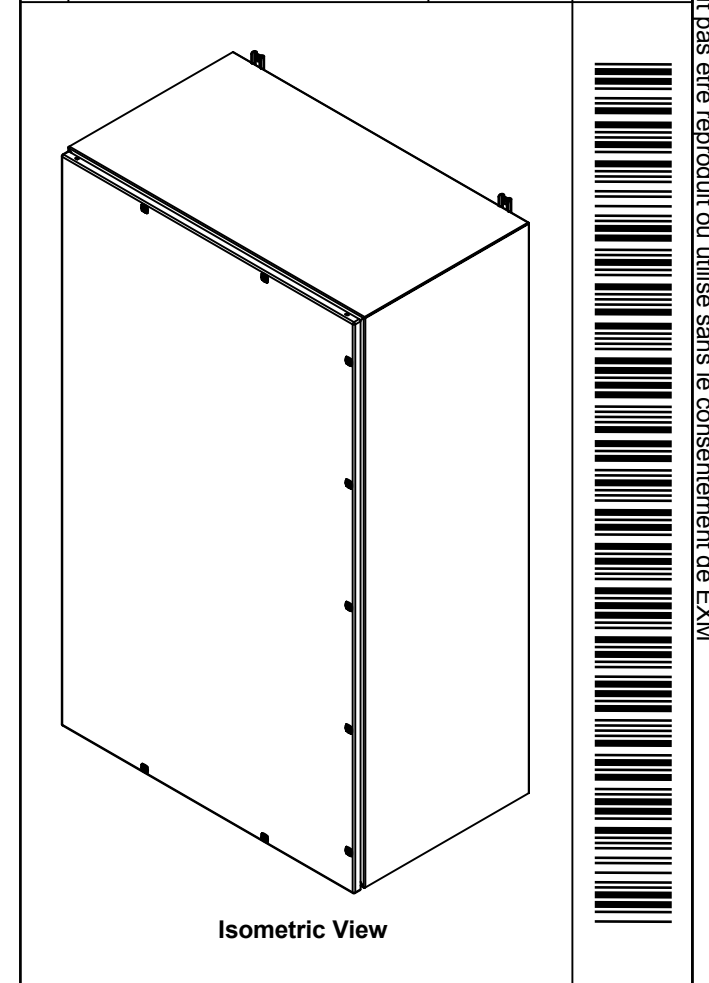


RIGHT




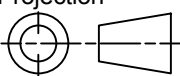
BOTTOM

No.	Revisions	Date	By/Par



Isometric View



 Tél: (450) 979-4373 Fax: (450) 979-4626 www.exmweb.com		Flatness Aplatissement Max 3.0mm Projection 
Customer Client	Date	
Drawn By Dessiné Par	BoxCad: HunterZ	Date 27-Aug-21
Material Matière	14 Ga H.R.P. & O. (1.7mm)	
Color Couleur	Asa-61 Grey	Finish Fini Smooth
Description	Detail Rev.	
5412ESEL 60" x 36" x 20" Assembly		
Part Number Numéro Pièce	Rev.	1
SEE BILL OF MATERIAL ON LAST PAGE	0	2

SEE BILL OF MATERIAL ON LAST PAGE

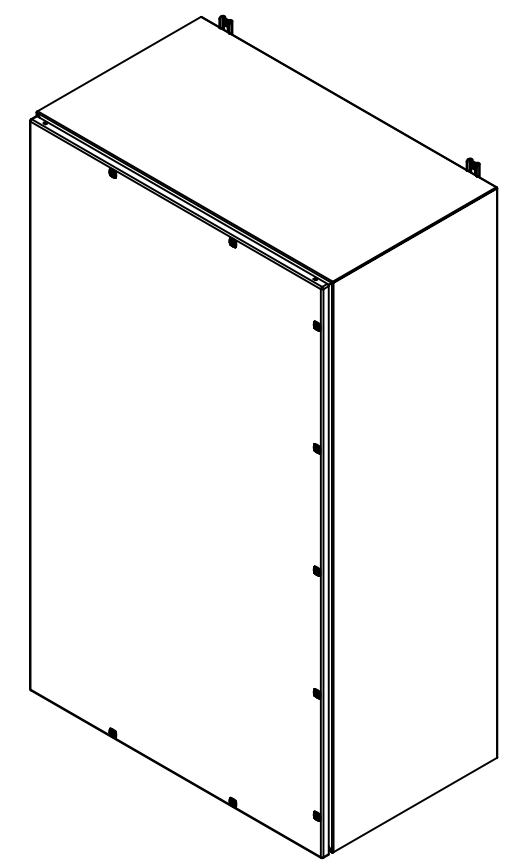
5412ESEL603620

This drawing is confidential and must not be reproduced or used without the consent of EXM

Ce dessin est confidentiel et ne doit pas être reproduit ou utilisé sans le consentement de EXM

NOTE	
ITEM	DESCRIPTION
1	NEMA 4/12 Enclosure
2	C/W Standard ground studs on box and cover
3	W/O Standard door stiffener
4	C/W Standard inner panel (Sold separately)
5	C/W Standard inner panel mounting studs
6	C/W 885 ESMF1_OPEN Sold separately (Kit)
7	C/W 885 ESMF1_CLOSE Sold separately (Kit)

No.	Revisions	Date	By/Par



Isometric View



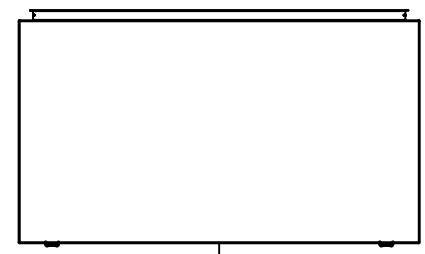
PACKING		
ITEM	QTY	DESCRIPTION
Cardboard sleeve	2	Top and Bottom
Cardboard strip	2	Between back of enclosure and inner panel
Plastic bag	1	To protect cover surface and inside gasket
Cardboard corner	4	To reinforced for the plastic strap tightening
Plastic strap - Black	2	To Squeeze 2 cardboard sleeve together
Packaging label	3	White label with PN
Plastic strap- Green	2	To secure the enclosure to the wood pallet
Wood Pallet	1	2" deeper and 3" larger than enclosure size

8	STK-Q-04050-10	8	M6 x 10mm Hexagon Socket Head Machine Screw with Nyseal
1	880 PP	6	Self Adhesive Print Pocket
1	STK-K-01800	5	5412 ES Accessory Kit
1	885SP6036G	0	885SP 60" x 36" Inner Panel Part
1	5412ESEL603620C	0	5412ESEL 60" x 36" Cover
8	STK-Q-07310	2	Flange Lock Nut M8
8	STK-Q-07610	8	M8 Plastic Spacer 22.2mm
1	5412ESEL603620B	0	5412ESEL 60" x 36" x 20" Body
Qty	Part Number	Rev	Description
Parts List			

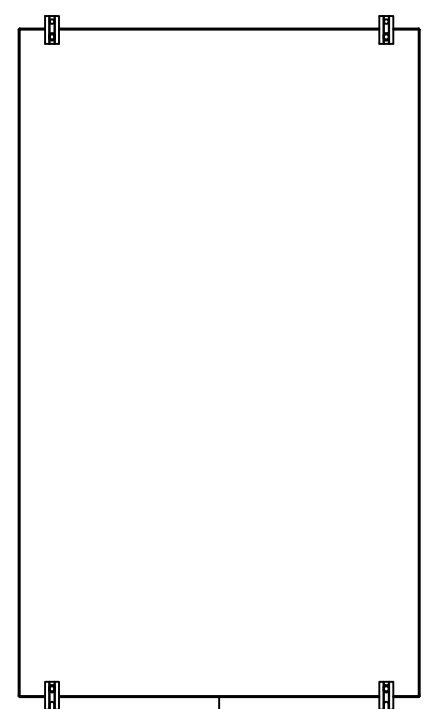
	Tél: (450) 979-4373 Fax: (450) 979-4626 www.exmweb.com	Flatness Aplatissement Max 3.0mm
	Projection 	Customer Client
Drawn By Dessiné Par	BoxCad: HunterZ	Date 27-Aug-21
Material Matière	14 Ga H.R.P. & O. (1.7mm)	
Color Couleur	Asa-61 Grey	Finish Fini Smooth
Description 5412ESEL 60" x 36" x 20" Assembly	Detail Rev.	
Part Number Numéro Pièce 5412ESEL603620	Rev.	2 2

This drawing is confidential and must not be reproduced or used without the consent of EXM

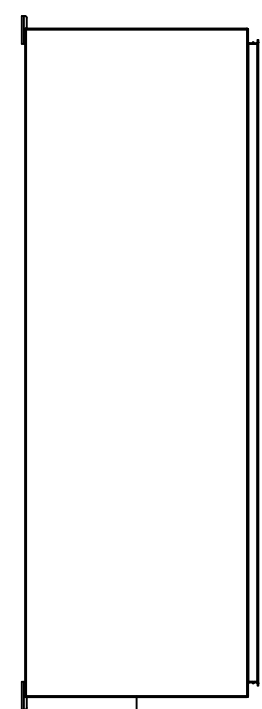
Ce dessin est confidentiel et ne doit pas être reproduit ou utilisé sans le consentement de EXM



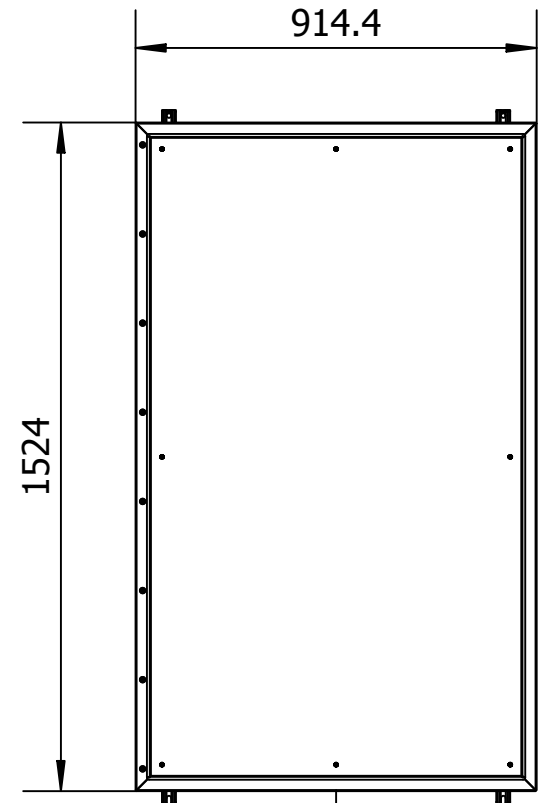
TOP



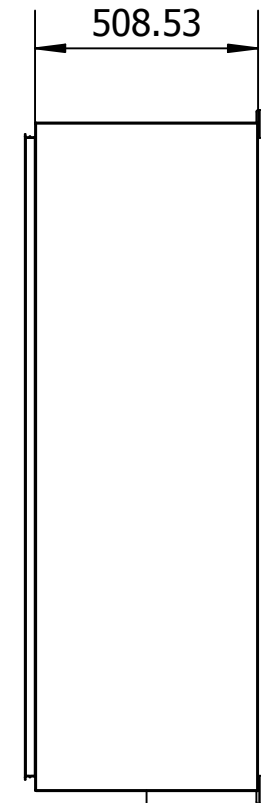
BACK



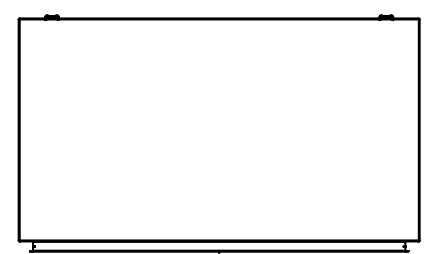
LEFT



FRONT

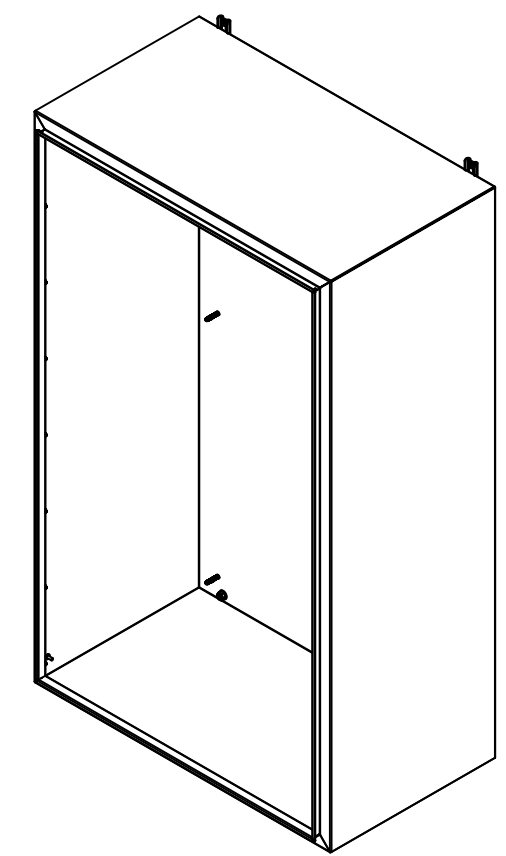


RIGHT

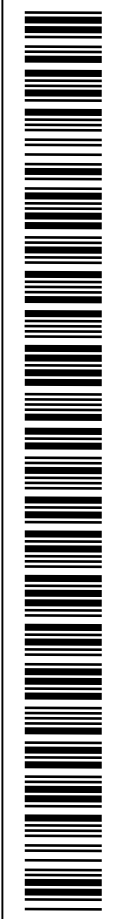



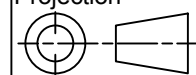
BOTTOM

No.	Revisions	Date	By/Par



Isometric View

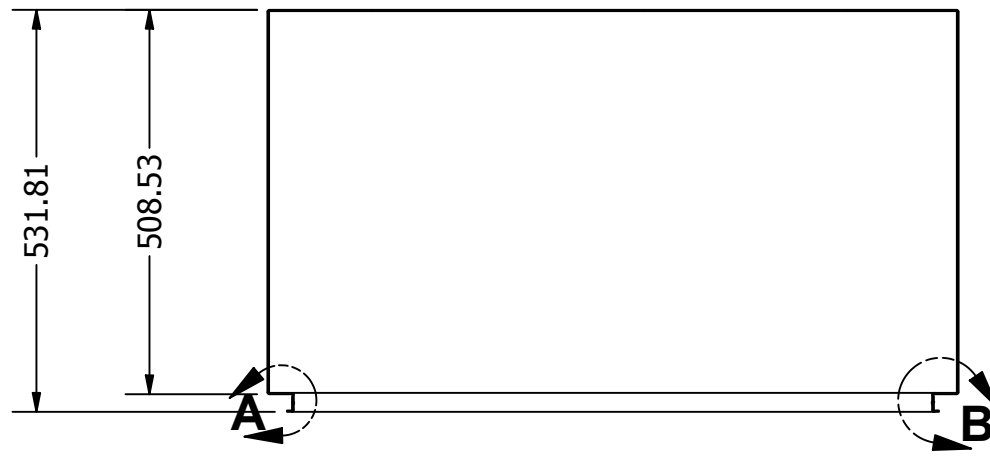


 Tél: (450) 979-4373 Fax: (450) 979-4626 www.exmweb.com		Flatness Aplatissement Max 3.0mm Projection 
Customer Client	Date	
Drawn By Dessiné Par	BoxCad: HunterZ	Date 27-Aug-21
Material Matière	14 Ga H.R.P. & O. (1.7mm)	
Color Couleur	Asa-61 Grey	Finish Fini Smooth
Description	Detail Rev.	
5412ESEL 60" x 36" x 20" Body		
Part Number Numéro Pièce	Rev.	1
5412ESEL603620B	0	7

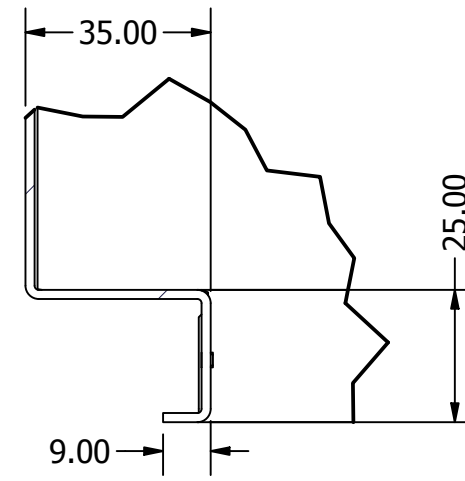
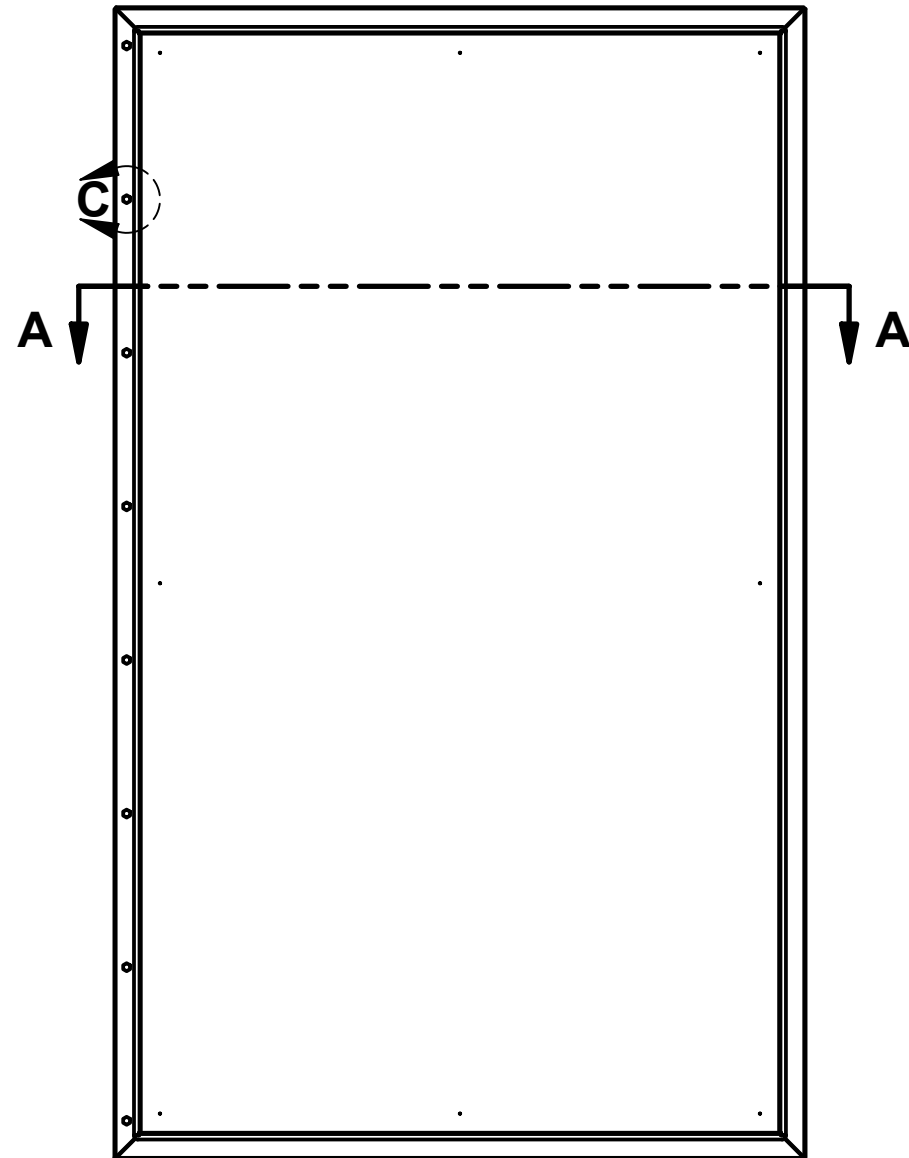
SEE BILL OF MATERIAL ON LAST PAGE

This drawing is confidential and must not be reproduced or used without the consent of EXM

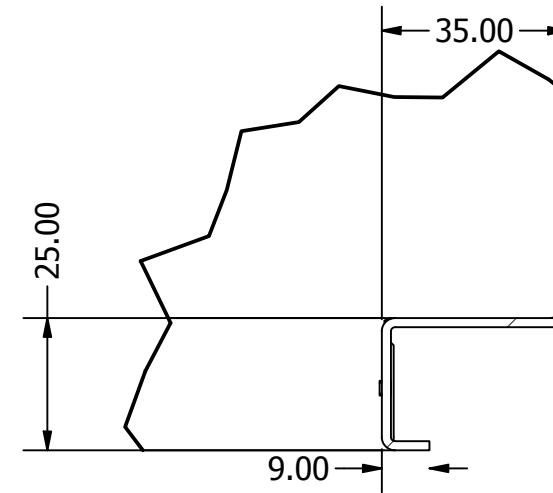
Ce dessin est confidentiel et ne doit pas être reproduit ou utilisé sans le consentement de EXM



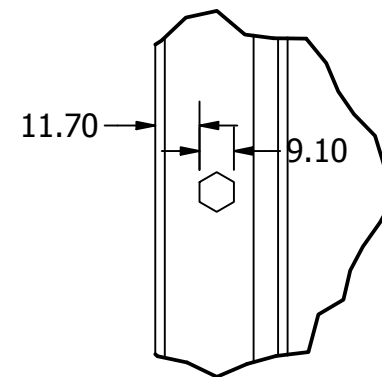
SECTION A-A



DETAIL A

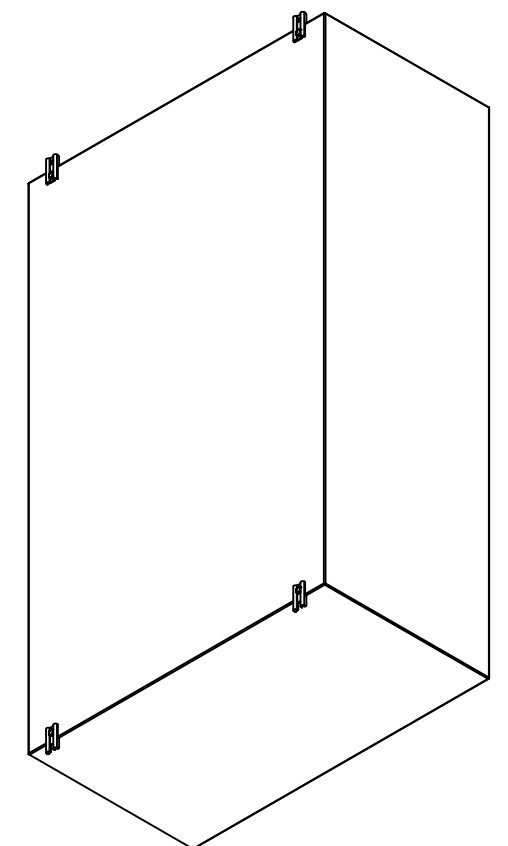


DETAIL B



DETAIL C

No.	Revisions	Date	By/Par



Isometric View



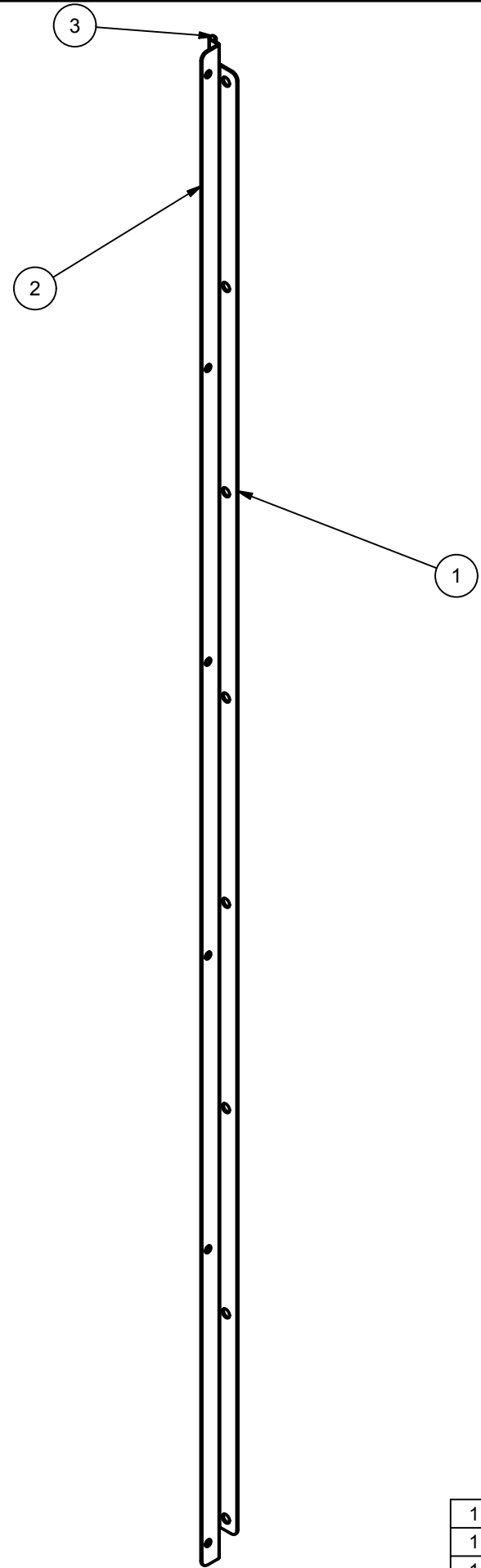
Qty	Part Number	Rev	Description
1	STK-Q-16080	0	Ground Stud M6 x 16mm
8	RIVET_NUT_SS_M6_FH_CE	0	Stainless Steel Rivet Nut M6 (Low Profile Close End)
1	STK-P-02400S	0	Powder Paint (Asa-61 Grey / Smooth)
8	STK-Q-16005	1	Stud M8 x 35 (No Paint Cap Required)
1	5412ESEL603620B-P	0	5412ESEL 60" x 36" x 20" Body Part
2	885 ESMF1_CLOSE	0	885 ESMF1 Mounting Foot (Closed Hole)
2	885 ESMF1_OPEN	0	885 ESMF1 Mounting Foot (Opened Hole)

Parts List

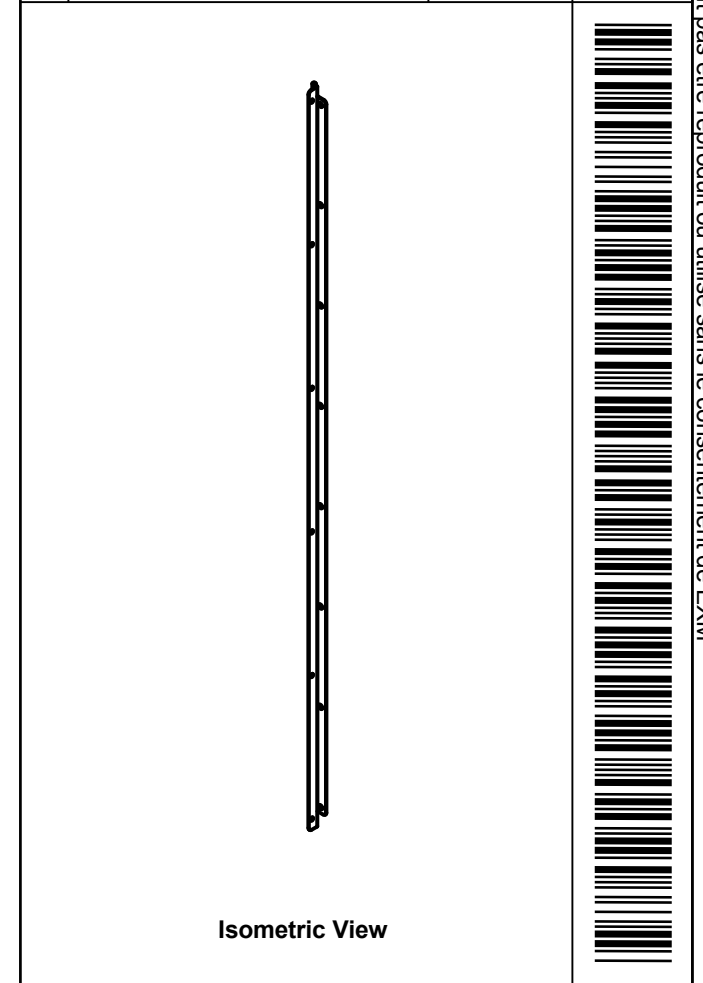
Tél: (450) 979-4373 Fax: (450) 979-4626 www.exmweb.com		Flatness Aplatissement
		Max 3.0mm
Customer Client		Date
Drawn By Dessiné Par		Date
Material Matière		27-Aug-21
Color Couleur		14 Ga H.R.P. & O. (1.7mm)
Finish Fini		Asa-61 Grey
Description		Smooth
5412ESEL 60" x 36" x 20" Body		Detail Rev.
Part Number Numéro Pièce		Rev.
5412ESEL603620B		0
		7
		7


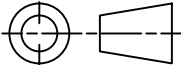
This drawing is confidential and must not be reproduced or used without the consent of EXM

Ce dessin est confidentiel et ne doit pas être reproduit ou utilisé sans le consentement de EXM



No.	Revisions	Date	By/Par

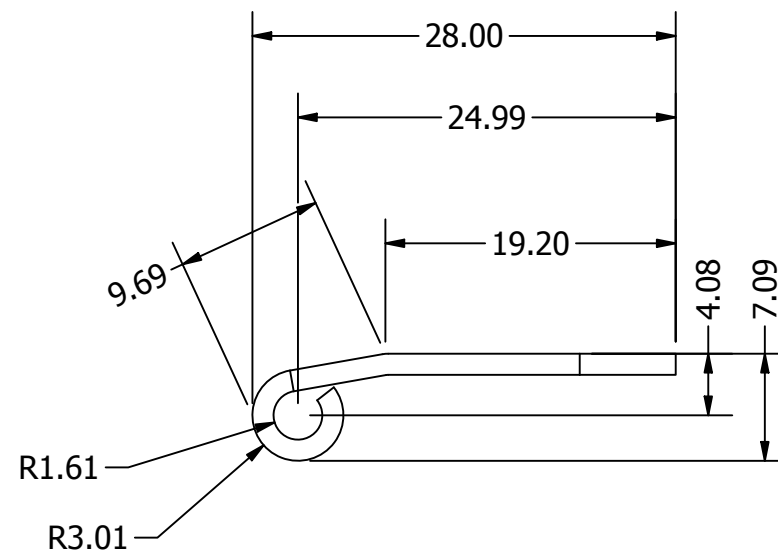
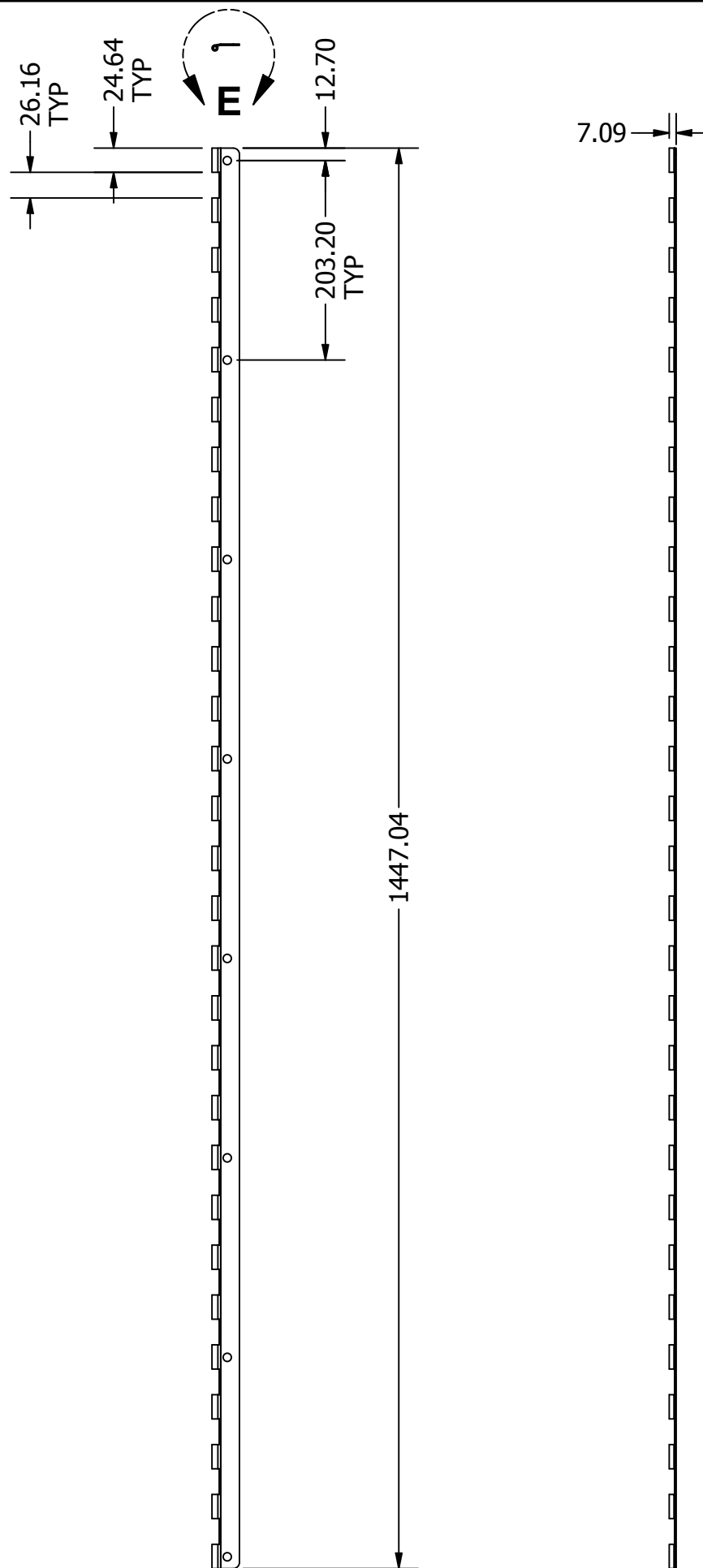


 Tél: (450) 979-4373 Fax: (450) 979-4626 www.exmweb.com		Flatness Aplatissement Max 3.0mm Projection 
Customer Client	Date	
Drawn By Dessiné Par	BoxCad: Kevin Kouassi	Date
Material Matière	See Part List	
Color Couleur	See Part List	Finish Fini See Part List
Description		Detail Rev.
Part Number Numéro Pièce	Rev.	1
Parts List		4

Qty	Part Number	Rev.	Description
1	5412ESEL603620HP-P	0	5412ESEL 60" x 36" Cover Part
1	5412ESEL603620H2-P	0	5412 ESEL 60" Piano Hinge Part 2
1	5412ESEL603620H1-P	0	5412 ESEL 60" Piano Hinge Part 1

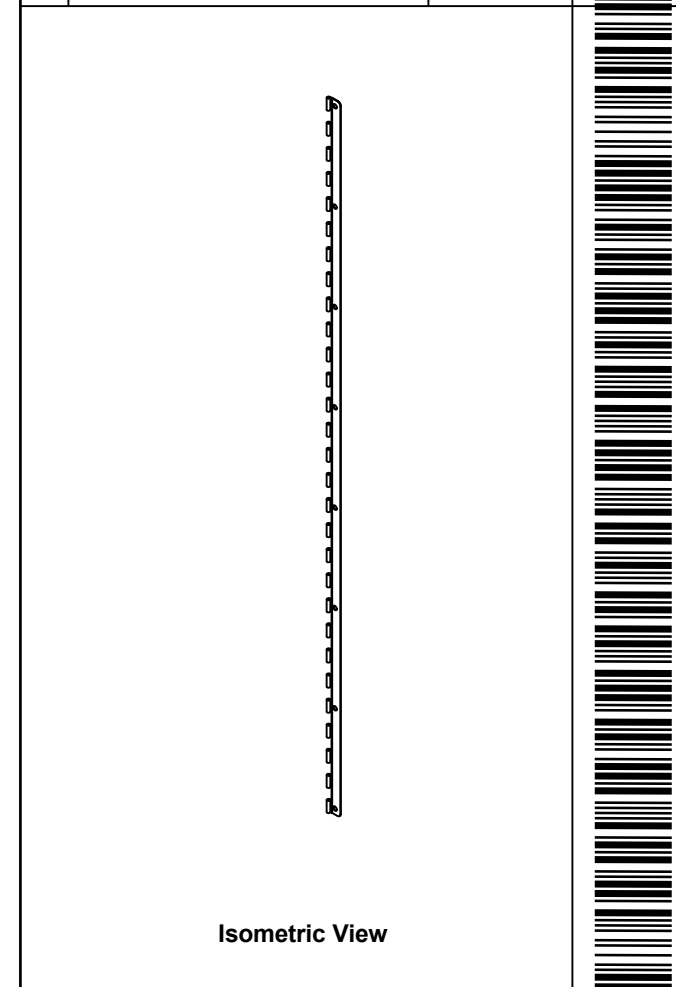
This drawing is confidential and must not be reproduced or used without the consent of EXM

Ce dessin est confidentiel et ne doit pas être reproduit ou utilisé sans le consentement de EXM



DETAIL E

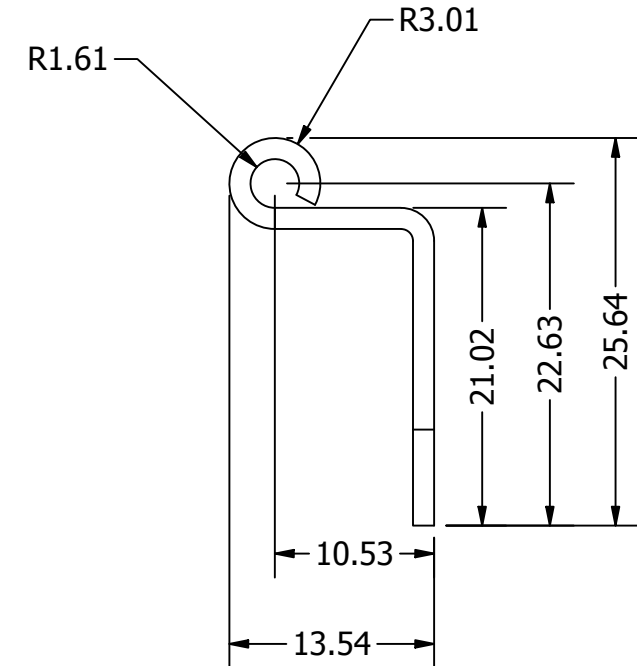
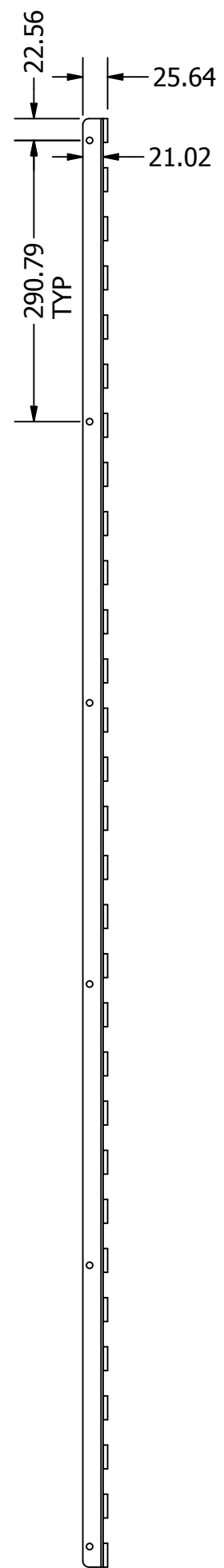
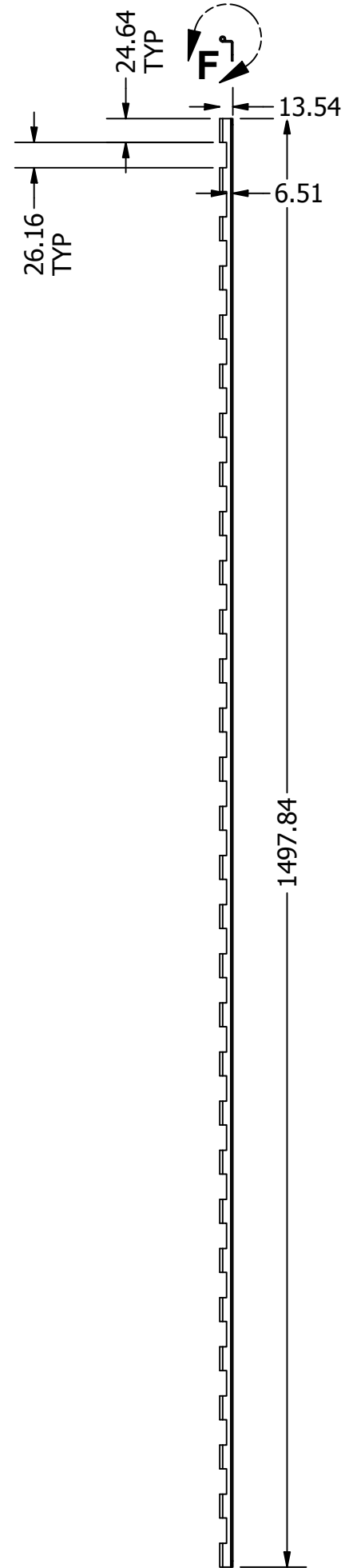
No.	Revisions	Date	By/Par



 Tél: (450) 979-4373 Fax: (450) 979-4626 www.exmweb.com		Flatness Aplatissement Max 3.0mm Projection 
Customer Client	Date	
Drawn By Dessiné Par	BoxCad: FanD	Date 09-Apr-14
Material Matière	16 Ga Cold Rolled Steel A1008 CS Type B	
Color Couleur	Sky Blue	Finish Fini Smooth
Description 5412 ESEL 60" Piano Hinge Part 1		Detail Rev.
Part Number Numéro Pièce	Rev. 0	2/4
5412ESEL603620H1-P		

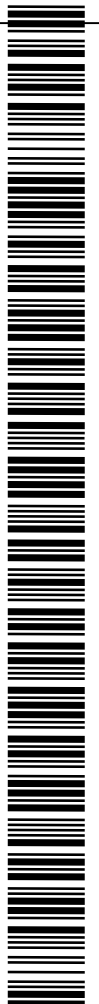
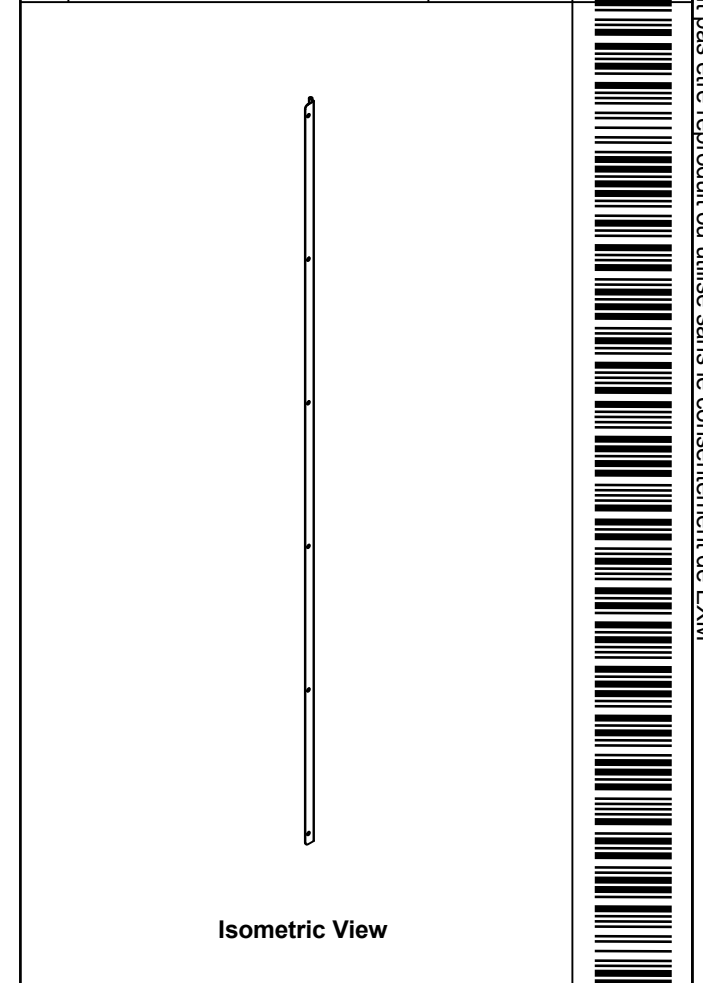
This drawing is confidential and must not be reproduced or used without the consent of EXM


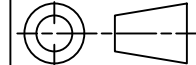
Ce dessin est confidentiel et ne doit pas être reproduit ou utilisé sans le consentement de EXM



DETAIL F

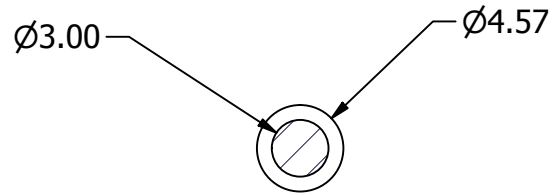
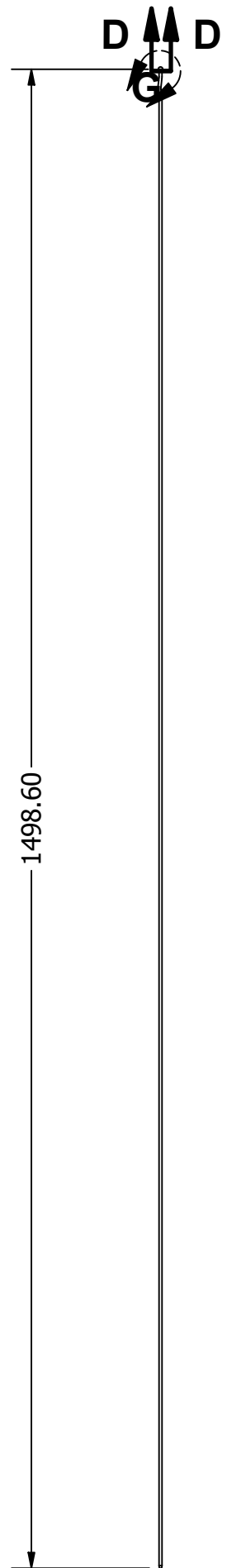
No.	Revisions	Date	By/Par



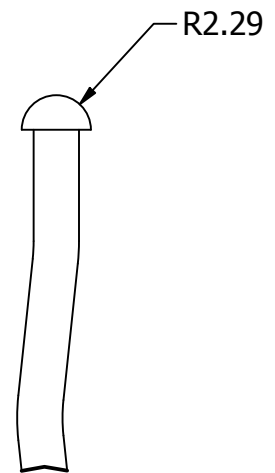
 Tél: (450) 979-4373 Fax: (450) 979-4626 www.exmweb.com		Flatness Aplatissement Max 3.0mm Projection 
Customer Client	Date	
Drawn By Dessiné Par	BoxCad: FanD	Date 09-Apr-14
Material Matière	16 Ga Cold Rolled Steel A1008 CS Type B	
Color Couleur	Sky Blue	Finish Fini Smooth
Description 5412ESEL 60" Piano Hinge Part 2		Detail Rev.
Part Number Numéro Pièce	Rev. 0	3/4
5412ESEL603620H2-P		

This drawing is confidential and must not be reproduced or used without the consent of EXM

Ce dessin est confidentiel et ne doit pas être reproduit ou utilisé sans le consentement de EXM

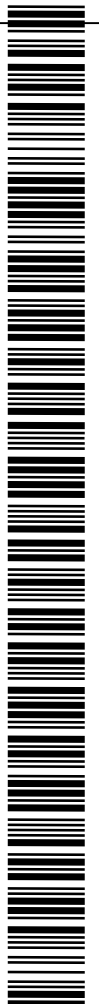
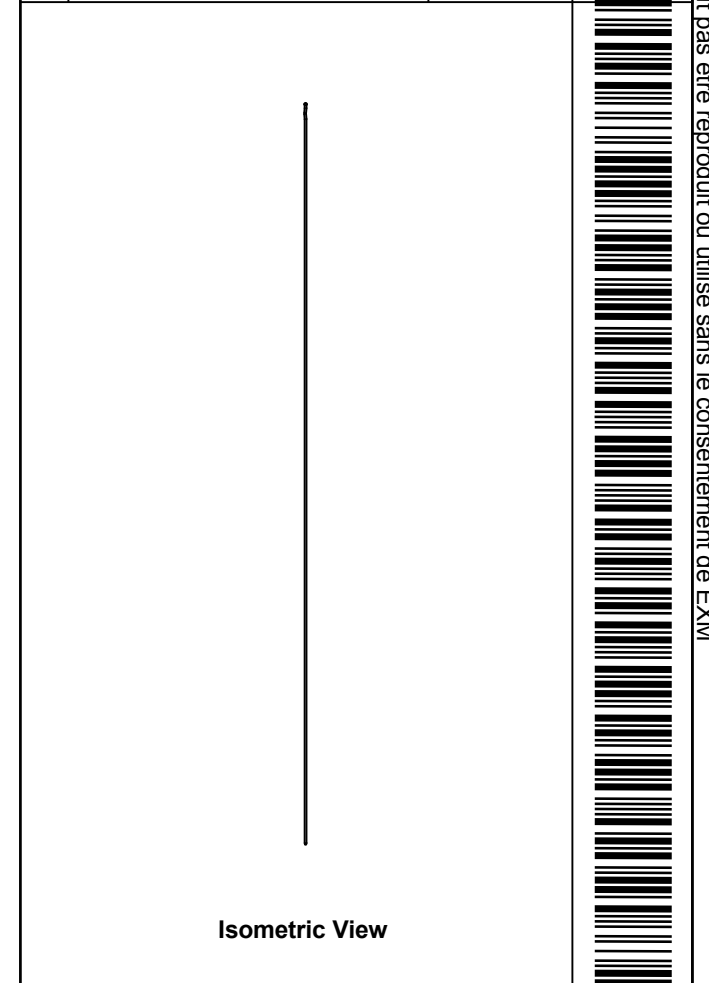



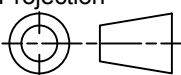
SECTION D-D



DETAIL G

No.	Revisions	Date	By/Par



 Tél: (450) 979-4373 Fax: (450) 979-4626 www.exmweb.com		Flatness Aplatissement Max 3.0mm
Customer Client		Projection 
Drawn By Dessiné Par BoxCad: 261476		Date 19-Jan-21
Material Matière Stainless Steel 3mm Rod		
Color Couleur Plain	Finish Fini Passivated	
Description 5412ESEL 60" x 36" Hinge Pin 40"		Detail Rev.
Part Number Numéro Pièce 5412ESEL603620HP-P		Rev. 0 / 4

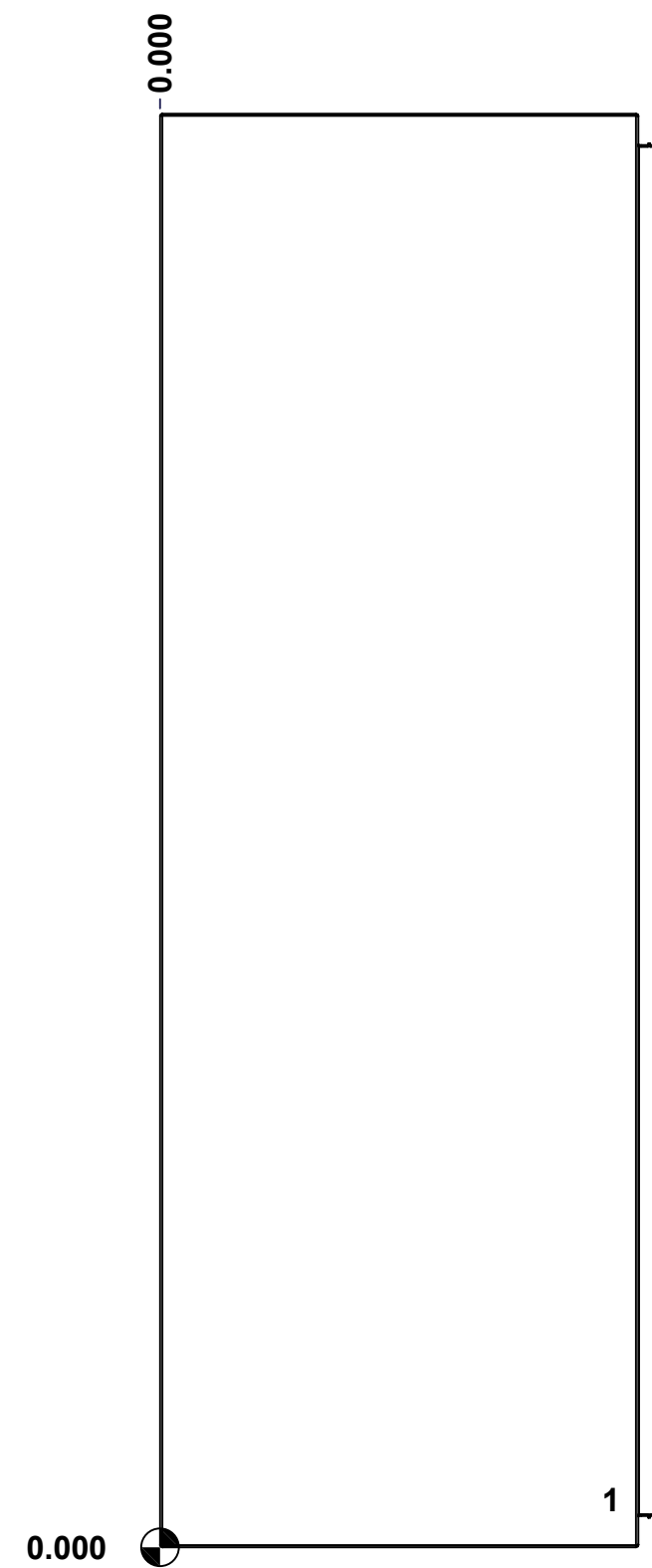
This drawing is confidential and must not be reproduced or used without the consent of EXM

Ce dessin est confidentiel et ne doit pas être reproduit ou utilisé sans le consentement de EXM

STANDARD FEATURES ARE NOT LISTED IN THIS HOLE TABLE

HOLE TABLE - LEFT VIEW (CUSTOM FEATURE ONLY)

CUT-OUT	XDIM	YDIM	DESCRIPTION
1	18.500	2.000	GND STUD M6 x 16mm (Inside)



	Description	Status	
	5412ESEL 60" x 36" x 20" Body		
	Part Number Numéro Pièce	Rev.	5
	5412ESEL603620B	0	7

This drawing is confidential and must not be reproduced or used without the consent of EXM

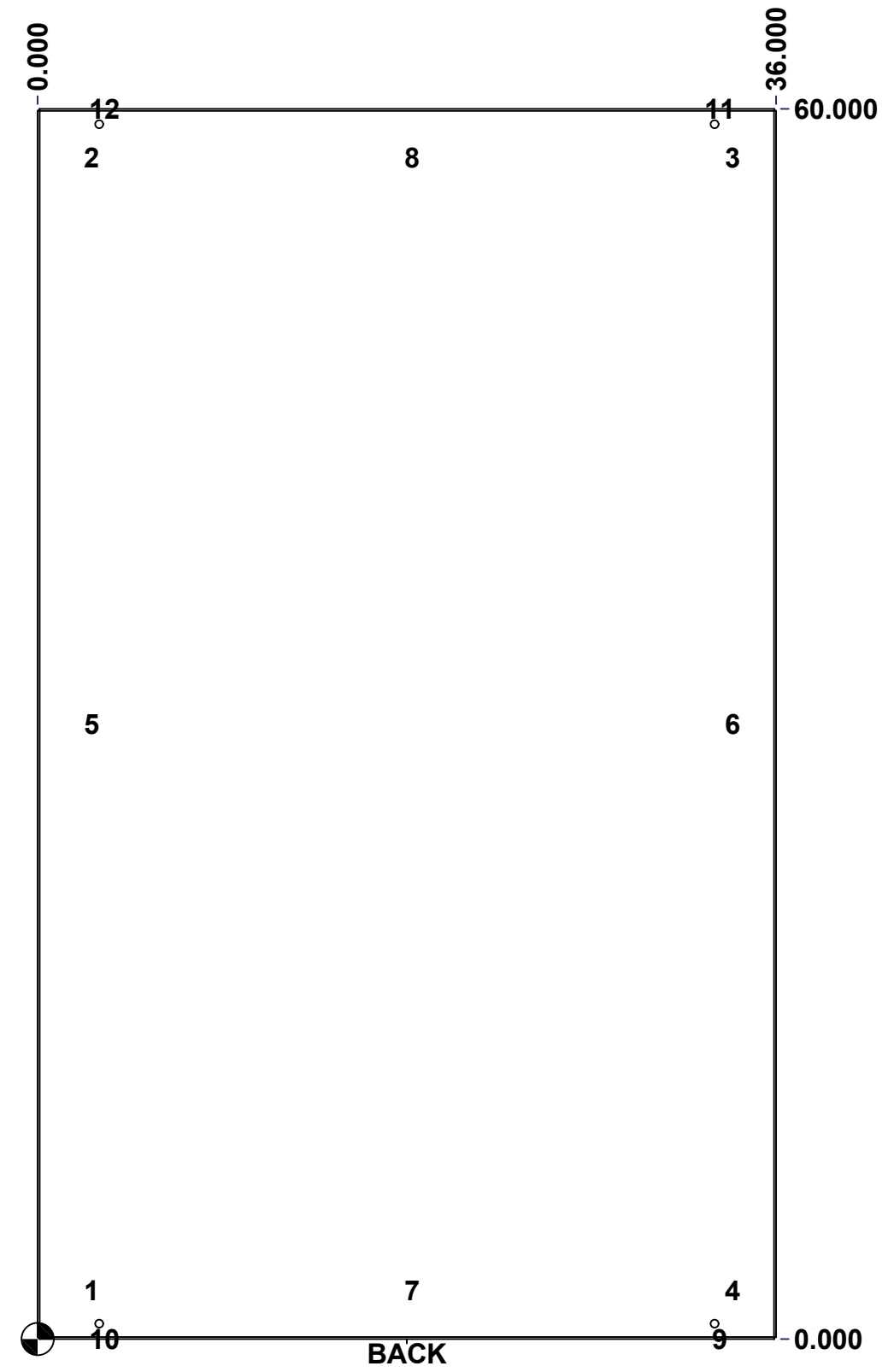
Ce dessin est confidentiel et ne doit pas être reproduit ou utilisé sans le consentement de EXM

STANDARD FEATURES ARE NOT LISTED IN THIS HOLE TABLE

HOLE TABLE - BACK VIEW (CUSTOM FEATURE ONLY)

CUT-OUT	XDIM	YDIM	DESCRIPTION
1	2.375	2.375	IP STUD M8 x 35mm (Inside)
2	2.375	57.625	IP STUD M8 x 35mm (Inside)
3	33.625	57.625	IP STUD M8 x 35mm (Inside)
4	33.625	2.375	IP STUD M8 x 35mm (Inside)
5	2.375	30.000	IP STUD M8 x 35mm (Inside)
6	33.625	30.000	IP STUD M8 x 35mm (Inside)
7	18.000	2.375	IP STUD M8 x 35mm (Inside)
8	18.000	57.625	IP STUD M8 x 35mm (Inside)

9	33.000	0.000	FOOT 885 ESMF1_OPEN
10	3.000	0.000	FOOT 885 ESMF1_OPEN
11	33.000	60.000	FOOT 885 ESMF1_CLOSE
12	3.000	60.000	FOOT 885 ESMF1_CLOSE



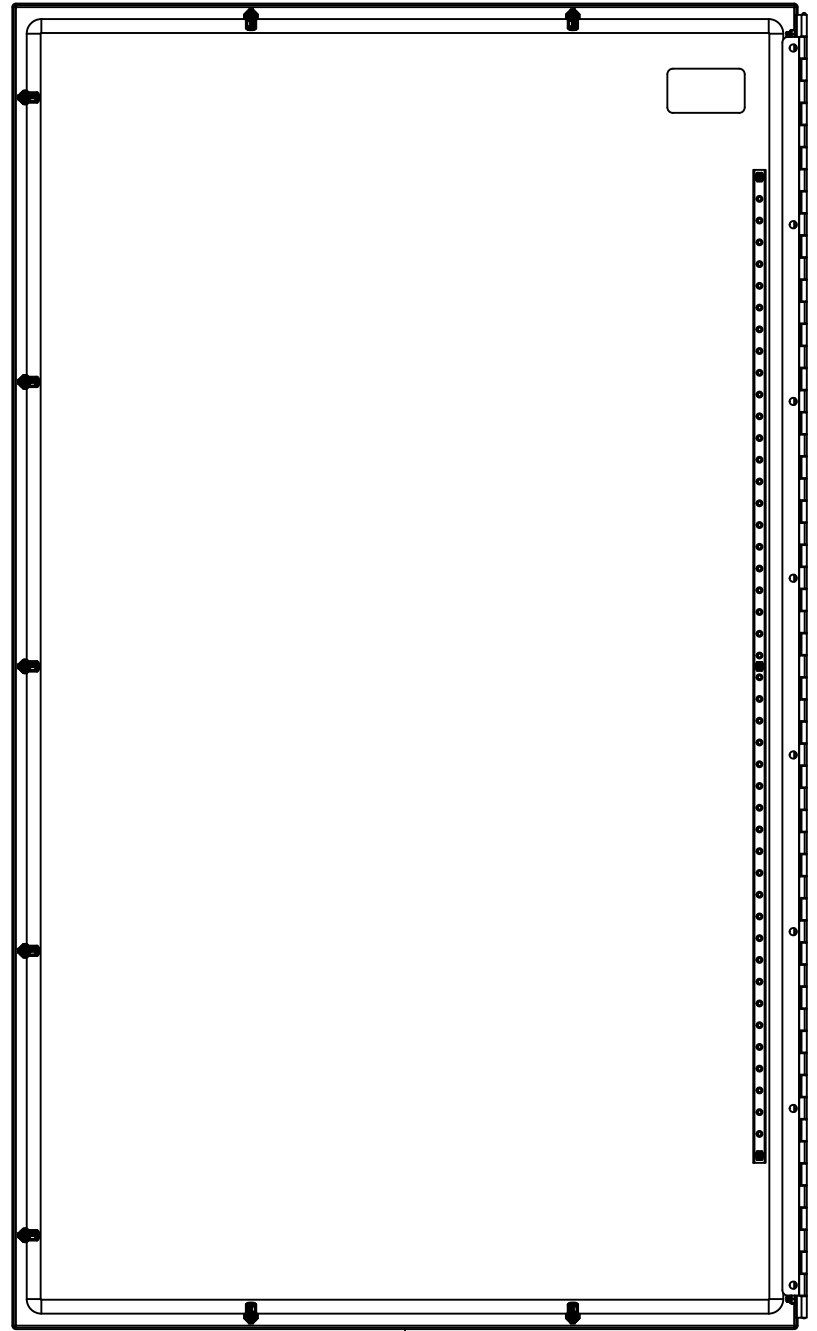
	Description		Status
	5412ESEL 60" x 36" x 20" Body		
	Part Number Numéro Pièce		Rev.
	5412ESEL603620B		0 / 6 7

This drawing is confidential and must not be reproduced or used without the consent of EXM

Ce dessin est confidentiel et ne doit pas être reproduit ou utilisé sans le consentement de EXM



TOP

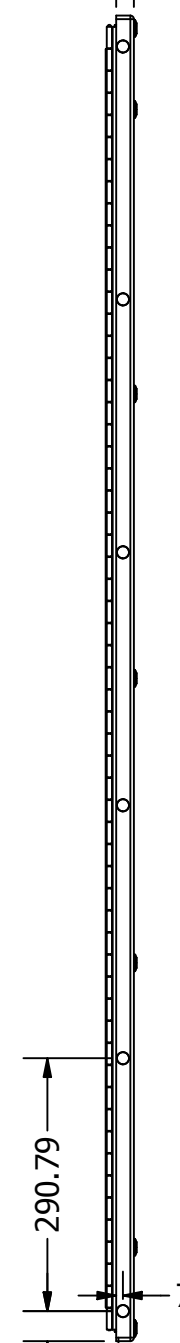


BACK



BOTTOM

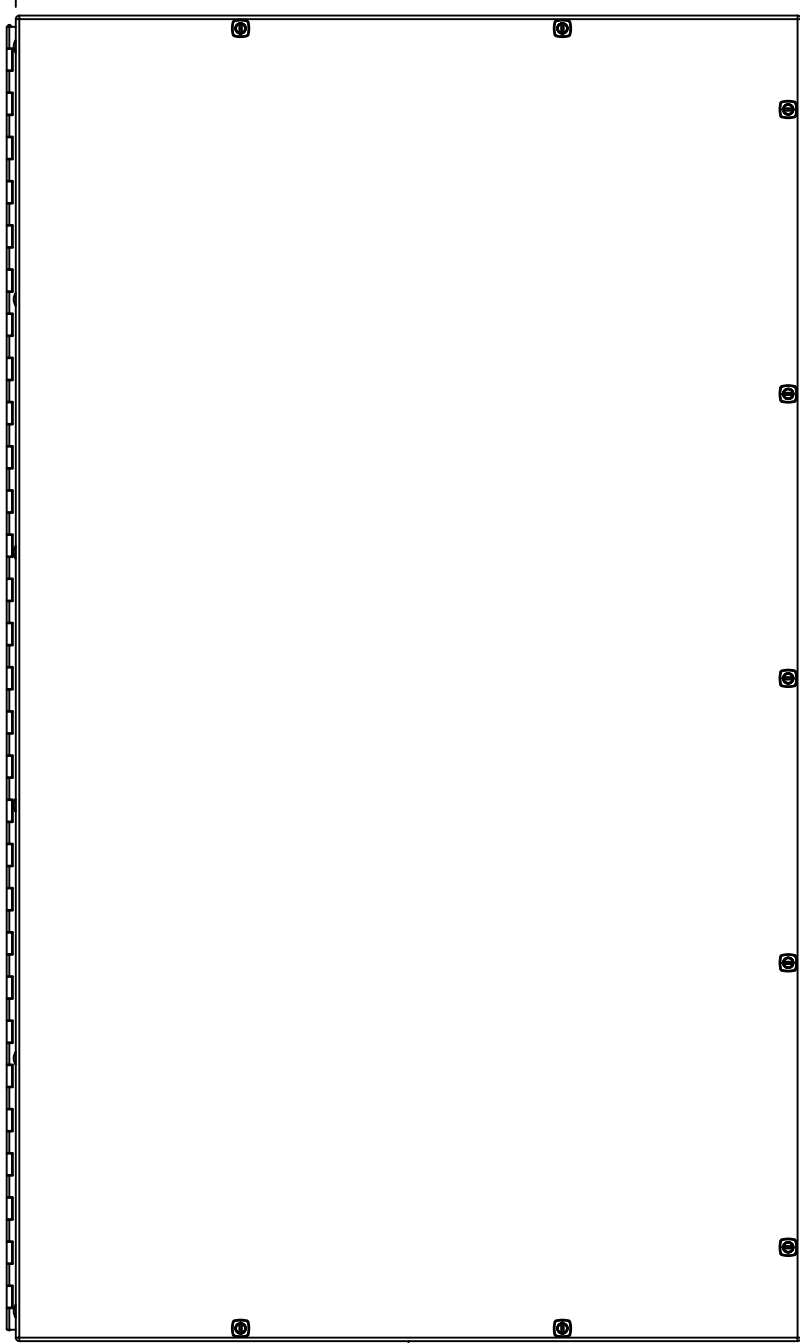
20.32



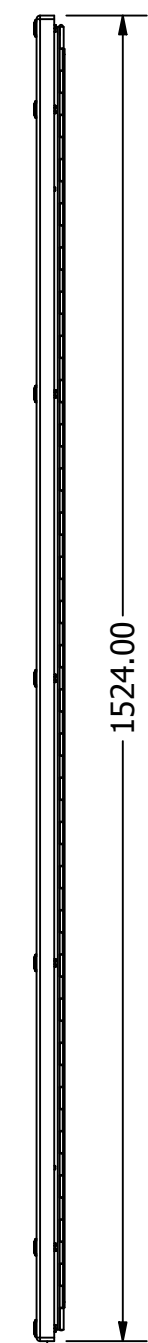
LEFT

290.79
7.74
34.53

902.92



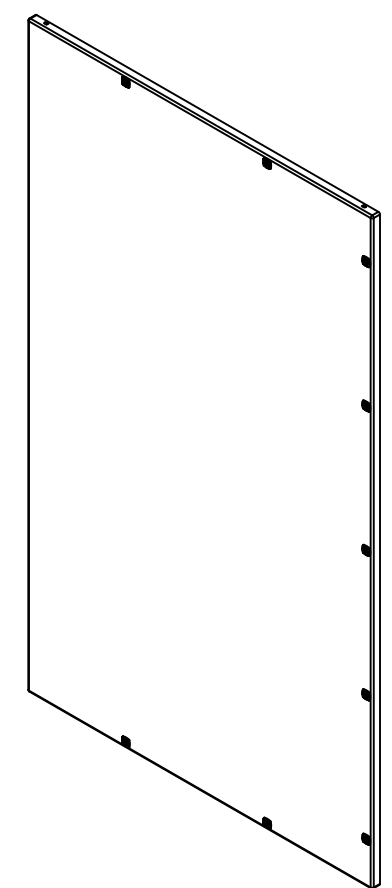
FRONT



RIGHT

1524.00

No.	Revisions	Date	By/Par



Isometric View



Tél: (450) 979-4373
Fax: (450) 979-4626
www.exmweb.com

Flatness
Aplatissement
Max 3.0mm
Projection

Customer Client	Date
Drawn By Dessiné Par	Date 27-Aug-21
Material Matière	14 Ga H.R.P. & O. (1.7mm)
Color Couleur	Asa-61 Grey
Finish Fini	Smooth
Description	Detail Rev.
5412ESEL 60" x 36" Cover	
Part Number Numéro Pièce	Rev.
5412ESEL603620C	0
	1
	3

SEE BILL OF MATERIAL ON LAST PAGE

This drawing is confidential and must not be reproduced or used without the consent of EXM

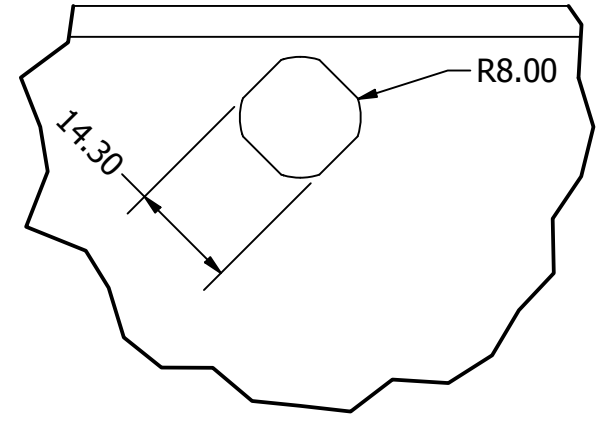
Ce dessin est confidentiel et ne doit pas être reproduit ou utilisé sans le consentement de EXM

STANDARD FEATURES ARE NOT LISTED IN THIS HOLE TABLE

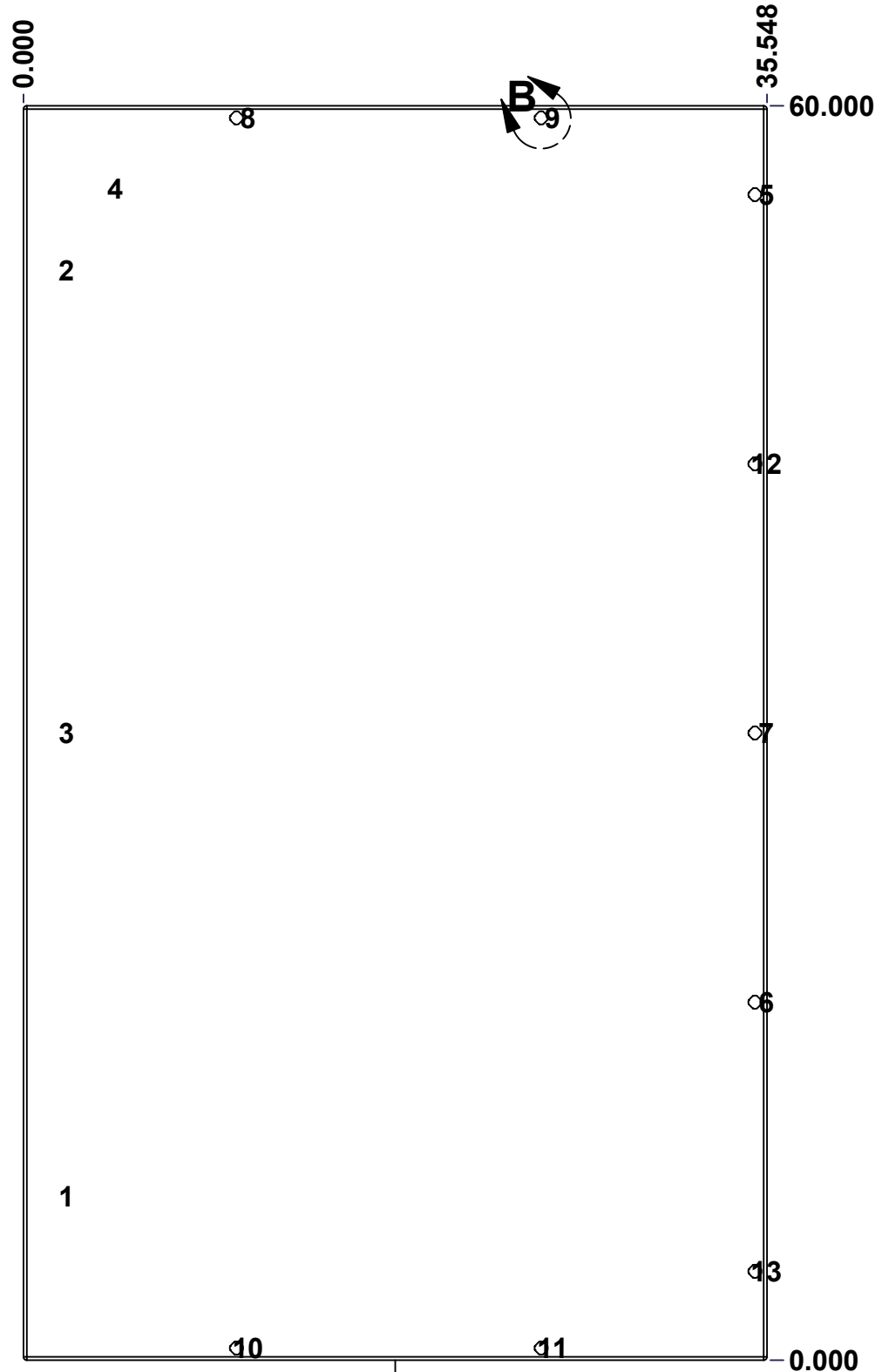
HOLE TABLE - FRONT VIEW (CUSTOM FEATURE ONLY)

CUT-OUT	XDIM	YDIM	DESCRIPTION
1	1.729	7.854	STUD M6 x 18mm (Inside)
2	1.729	52.146	STUD M6 x 18mm (Inside)
3	1.729	30.000	STUD M6 x 18mm (Inside)

4	4.458	56.053	LABEL_EXM (Inside)
5	34.969	55.750	LOCK 880 SCQ5-SL @ 180.0°
6	34.969	17.125	LOCK 880 SCQ5-SL @ 180.0°
7	35.587	30.000	LOCK 880 SCQ5-SL @ 180.0°
8	10.182	59.420	LOCK 880 SCQ5-SL @ 270.0°
9	24.748	59.420	LOCK 880 SCQ5-SL @ 270.0°
10	10.182	0.580	LOCK 880 SCQ5-SL @ 90.0°
11	24.748	0.580	LOCK 880 SCQ5-SL @ 90.0°
12	34.969	42.875	LOCK 880 SCQ5-SL @ 180.0°
13	34.969	4.250	LOCK 880 SCQ5-SL @ 180.0°



DETAIL B



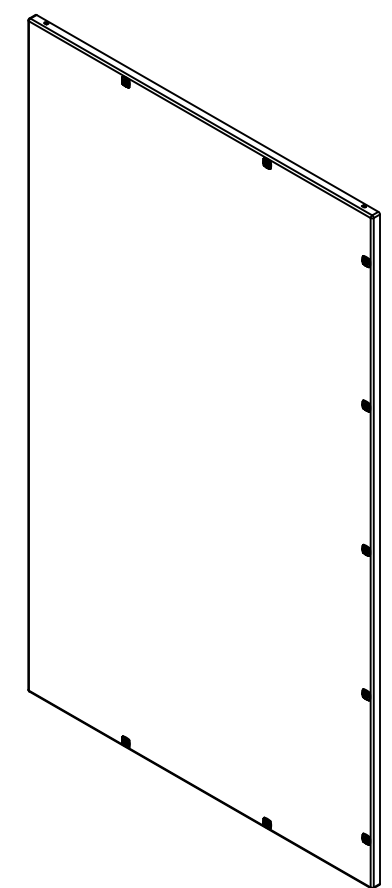
FRONT

	Description	Status
	5412ESEL 60" x 36" Cover	(NULL)
Part Number Numéro Pièce 5412ESEL603620C	Rev.	2
	0	3

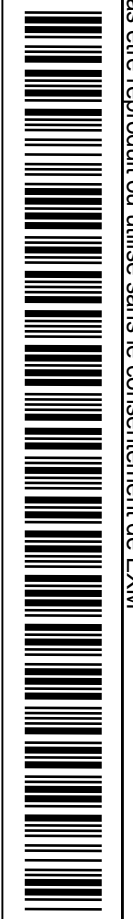
This drawing is confidential and must not be reproduced or used without the consent of EXM

Ce dessin est confidentiel et ne doit pas être reproduit ou utilisé sans le consentement de EXM


No.	Revisions	Date	By/Par



Isometric View

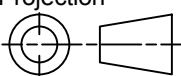


6	STK-Q-07225	0	M6 Stainless Steel Nylon Insert Lock Nut
6	STK-Q-00265	1	M6 x 13mm Stainless Steel 316 Carriage Bolt
1	5412ESEL603620HP	0	5412 ESEL 60" Piano Hinge Assembly
9	STK-A-79955	2	5412 ESEL Plastic Clip-in 1/4 Turn Lock
1	STK-S-00100	0	3.5" x 2" Silver Milar Flexcon Sticker
1	STK-P-02400S	0	Powder Paint (Asa-61 Grey / Smooth)
1	STK-Q-46020-48	5	5412 ES Vertical Door Stiffener 48"
3	STK-Q-16055	1	M6 x 18mm Stud (No Paint Cap Required)
1	5412ESEL603620G	0	5412ESEL 60" x 36" Cover Gasket Part
1	5412ESEL603620C-P	0	5412ESEL 60" x 36" Cover Part
3	STK-Q-07220	1	M6 Nylon Insert Lock Nut
Qty	Part Number	Rev.	Description
Parts List			



Tél: (450) 979-4373
Fax: (450) 979-4626
www.exmweb.com

Flatness
Aplatissement
Max 3.0mm

Projection


Customer Client		Date
Drawn By / Dessiné Par	BoxCad: HunterZ	Date 27-Aug-21
Material Matière: 14 Ga H.R.P. & O. (1.7mm)		
Color Couleur	Asa-61 Grey	Finish Fini: Smooth
Description: 5412ESEL 60" x 36" Cover		Detail Rev.
Part Number / Numéro Pièce: 5412ESEL603620C		Rev. 0 / 3