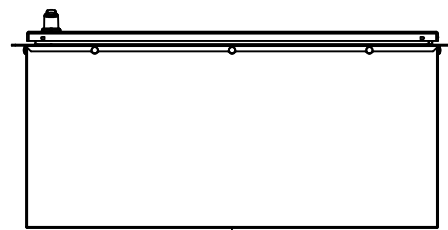
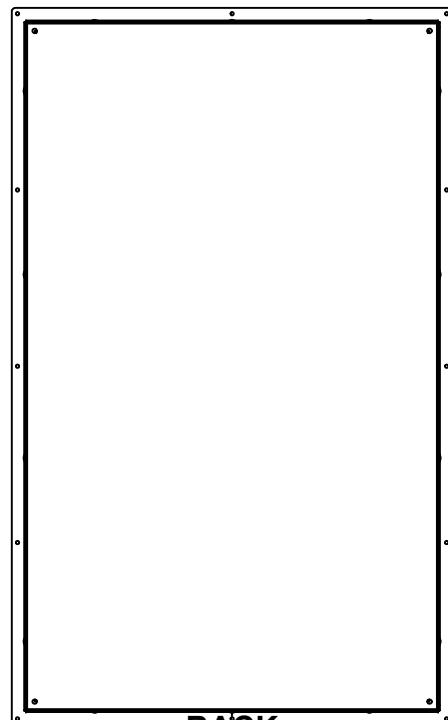


This drawing is confidential and must not be reproduced or used without the consent of EXM

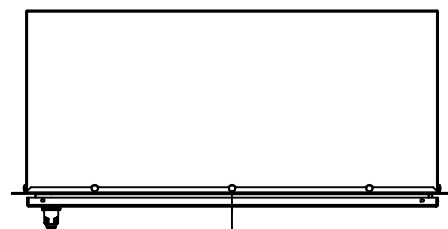
Ce dessin est confidentiel et ne doit pas être reproduit ou utilisé sans le consentement de EXM



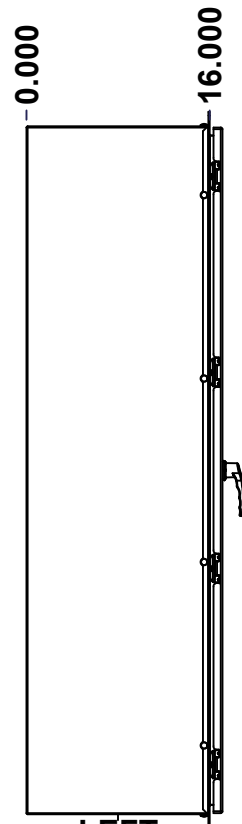
TOP



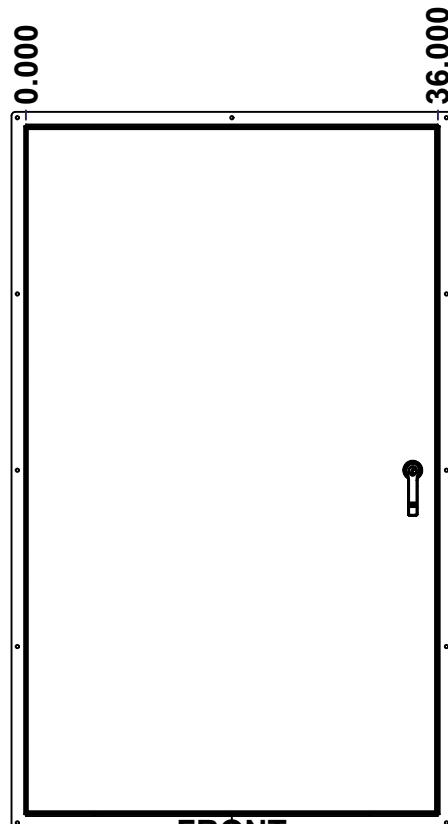
BACK



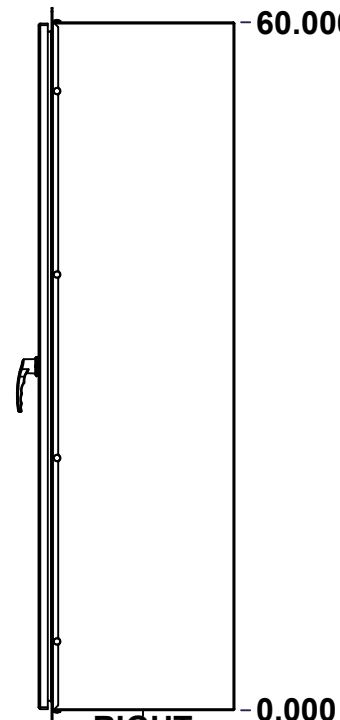
BOTTOM



LEFT

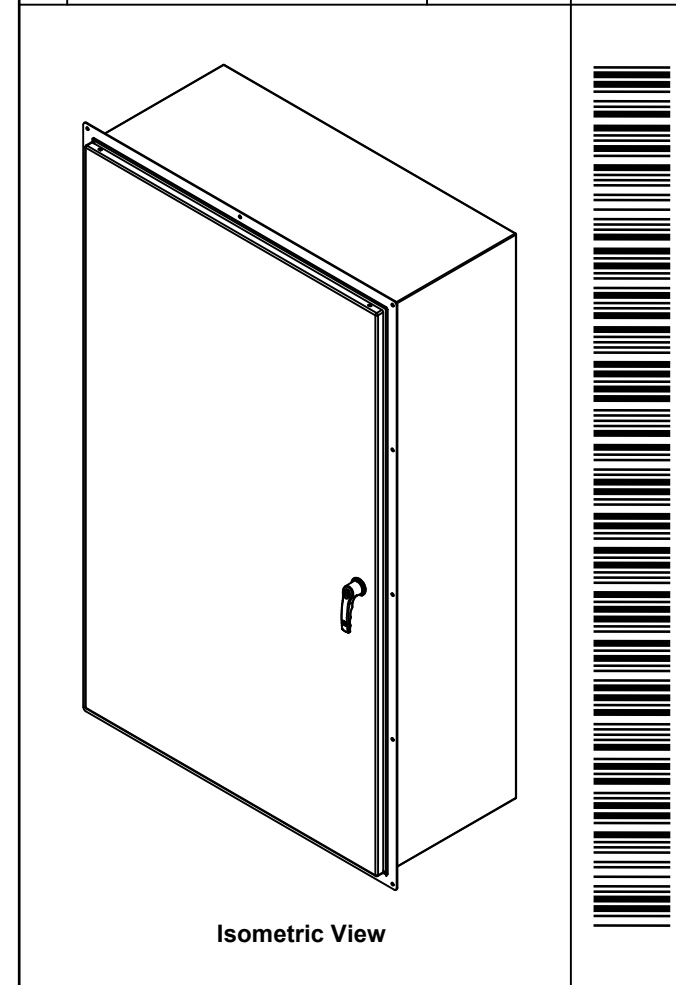



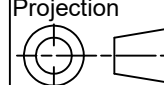
FRONT



RIGHT

| No. | Revisions | Date | By/Par |
|-----|-----------|------|--------|
| | | | |
| | | | |
| | | | |
| | | | |
| | | | |



| | | |
|--|---------------------------|---|
|  Tél: (450) 979-4373 Fax: (450) 979-4626 www.exmweb.com | | Flatness Aplatissement Max 3.0mm Projection  |
| Customer Client | Date | |
| Drawn By Dessiné Par | BoxCad: BoxCad | Date 18-Feb-14 |
| Material Matière | 14 Ga H.R.P. & O. (1.7mm) | |
| Color Couleur | Asa-61 Grey | Finish Fini Smooth |
| Description | Detail Rev. | |
| 5412ESFM 60" x 36" x 16" Assembly | | |
| Part Number Numéro Pièce | Rev. | 1 |
| 5412ESFM603616 | 0 | 2 |

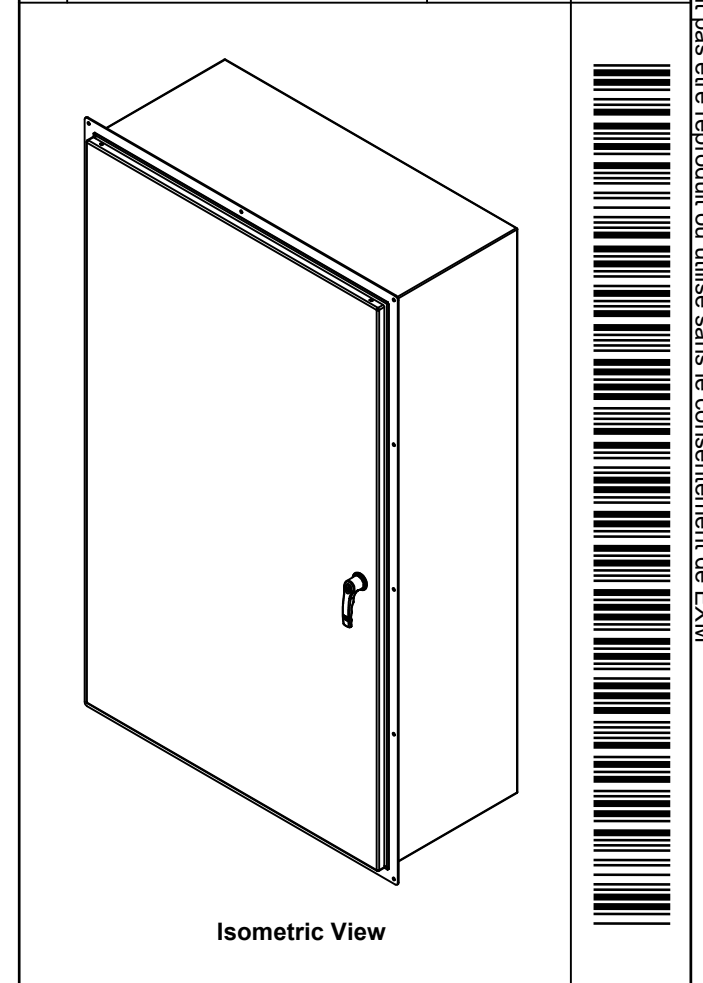
SEE BILL OF MATERIAL ON LAST PAGE


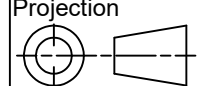
This drawing is confidential and must not be reproduced or used without the consent of EXM

Ce dessin est confidentiel et ne doit pas être reproduit ou utilisé sans le consentement de EXM

| NOTE | |
|------|--|
| ITEM | DESCRIPTION |
| 1 | NEMA 4/12 Enclosure |
| 2 | C/W Standard ground studs on box and cover |
| 3 | C/W Standard door stiffener |
| 4 | C/W Standard inner panel (Included) |
| 5 | C/W Standard inner panel mounting studs |

| No. | Revisions | Date | By/Par |
|-----|-----------|------|--------|
| | | | |
| | | | |
| | | | |
| | | | |
| | | | |
| | | | |



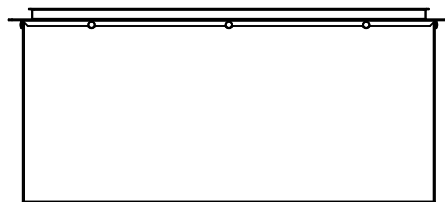
| | | |
|--|---------------------------|---|
|  Tél: (450) 979-4373 Fax: (450) 979-4626 www.exmweb.com | | Flatness Aplatissement Max 3.0mm Projection  |
| Customer Client | Date | |
| Drawn By Dessiné Par | BoxCad: BoxCad | Date 18-Feb-14 |
| Material Matière | 14 Ga H.R.P. & O. (1.7mm) | |
| Color Couleur | Asa-61 Grey | Finish Finis Smooth |
| Description | Detail Rev. | |
| 5412ESFM 60" x 36" x 16" Assembly | | |
| Part Number Numéro Pièce | 5412ESFM603616 | Rev. 0 |

| PACKING | | |
|-----------------------|-----|--|
| ITEM | QTY | DESCRIPTION |
| Cardboard sleeve | 2 | Top and Bottom |
| Cardboard strip | 2 | Between back of enclosure and inner panel |
| Plastic bag | 1 | To protect cover surface and inside gasket |
| Cardboard corner | 4 | To reinforced for the plastic strap tightening |
| Plastic strap - Black | 2 | To Squeeze the 2 cardboard sleeve together |
| Packaging label | 3 | White label with PN |
| Plastic strap- Green | 2 | To secure the enclosure to the wood pallet |
| Wood Pallet | 1 | 2" deeper and 3" larger than enclosure size |

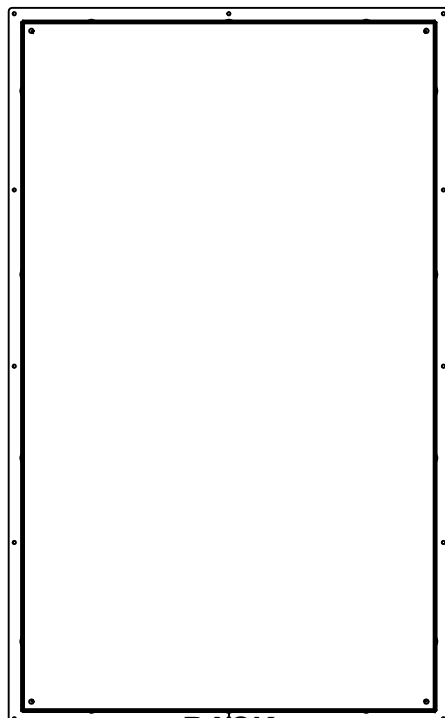
| Qty | Part Number | Rev | Description |
|------------|-----------------|-----|--|
| 1 | 880 PP | 6 | Self Adhesive Print Pocket |
| 1 | STK-K-01800 | 5 | 5412 ES Accessory Kit |
| 1 | 881 SP6036G | 0 | 881 SP - Inner Panel |
| 1 | 5412ESFM603616C | 0 | 5412ESFM 60" x 36" Cover |
| 8 | STK-Q-07310 | 2 | Flange Lock Nut M8 |
| 8 | STK-Q-07610 | 8 | M8 Plastic Spacer 22.2mm |
| 1 | 5412ESFM603616B | 0 | 5412ESFM 60" x 36" x 16" Body |
| 4 | STK-Q-04050-07 | 7 | M6 x 7mm Hexagon Socket Head Machine Screw with Nyseal |
| Parts List | | | |

This drawing is confidential and must not be reproduced or used without the consent of EXM

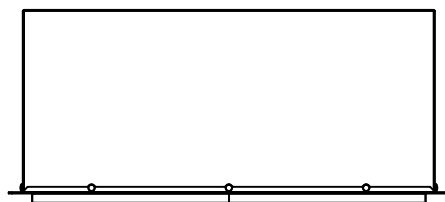
Ce dessin est confidentiel et ne doit pas être reproduit ou utilisé sans le consentement de EXM



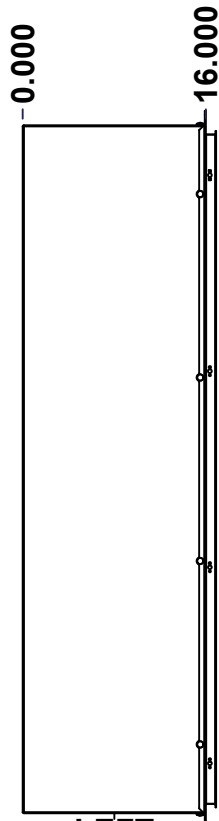
TOP



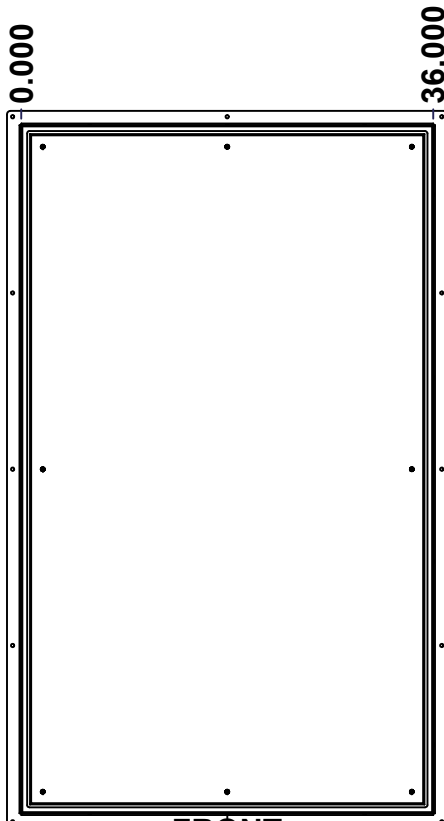
BACK



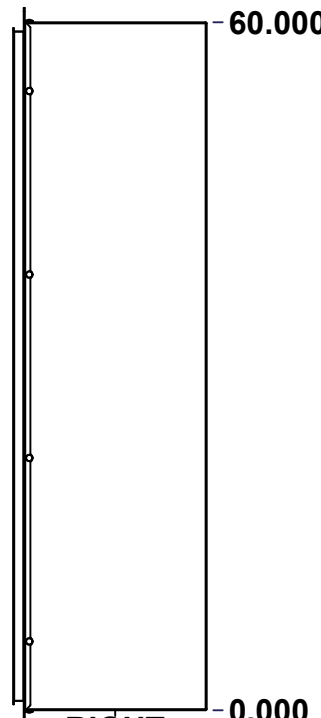
BOTTOM



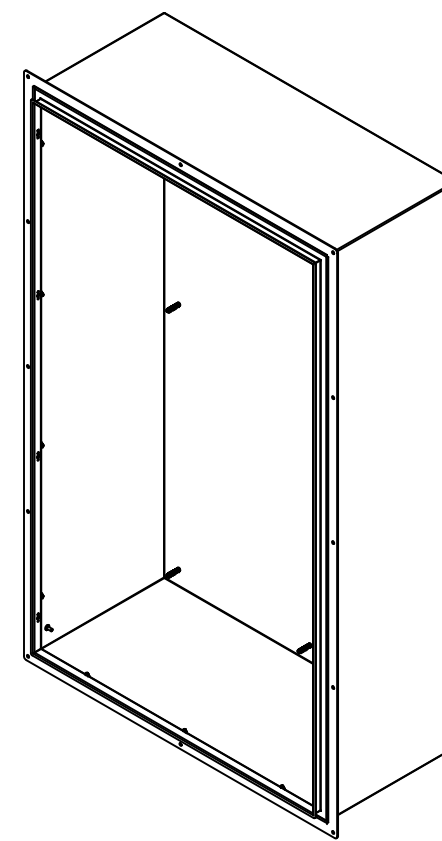
LEFT



FRONT



RIGHT



Isometric View



| No. | Revisions | Date | By/Par |
|-----|-----------|------|--------|
| | | | |
| | | | |
| | | | |
| | | | |
| | | | |

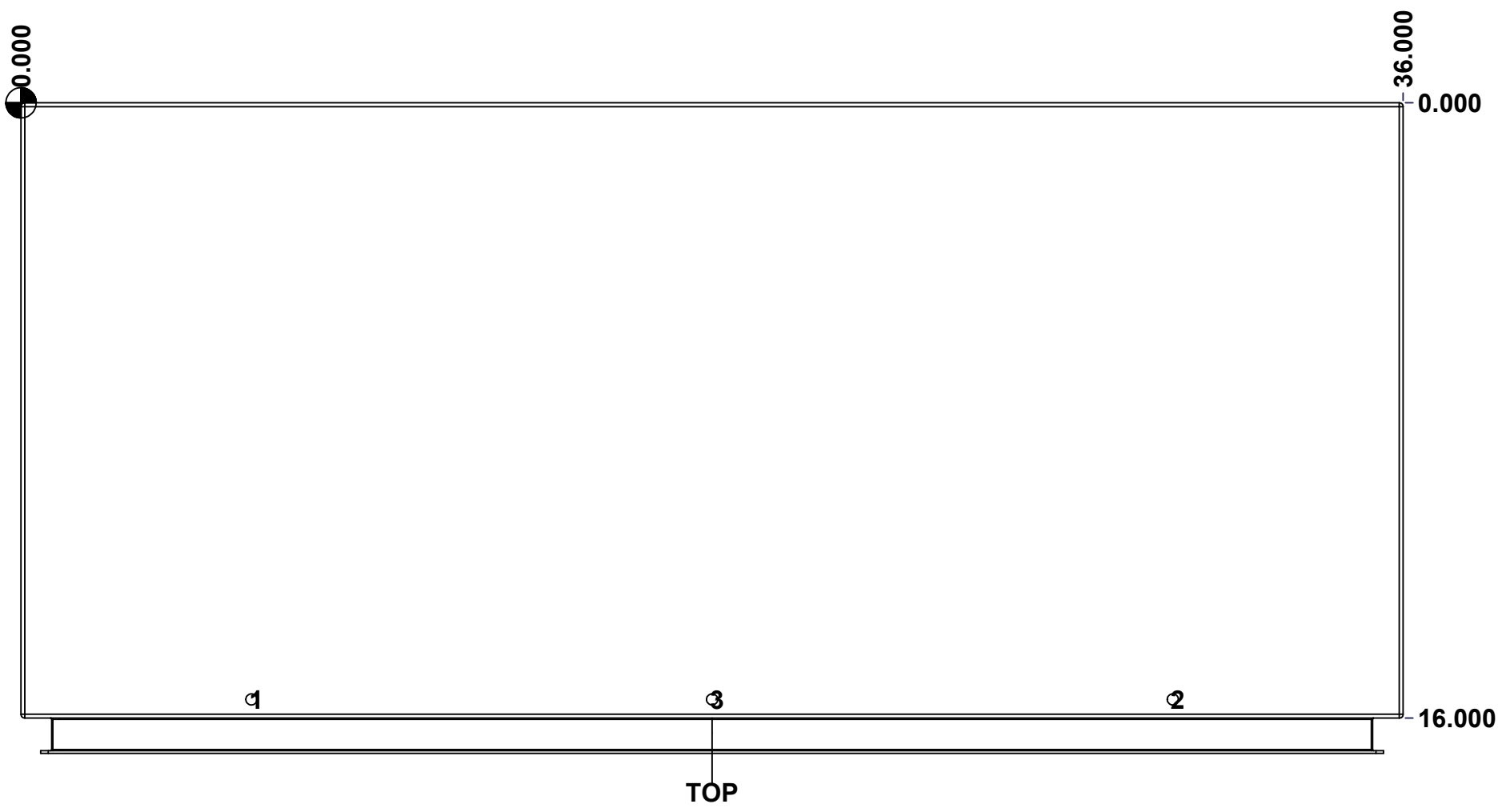
| | | |
|--|---------------------------|---|
|  Tél: (450) 979-4373 Fax: (450) 979-4626 www.exmweb.com | | Flatness Aplatissement Max 3.0mm Projection  |
| Customer Client | Date | |
| Drawn By Dessiné Par | BoxCad: BoxCad | Date 18-Feb-14 |
| Material Matière | 14 Ga H.R.P. & O. (1.7mm) | |
| Color Couleur | Asa-61 Grey | Finish Fini Smooth |
| Description | Detail Rev. | |
| 5412ESFM 60" x 36" x 16" Body | | |
| Part Number Numéro Pièce | Rev. | 1 7 |
| 5412ESFM603616B | 0 | |

SEE BILL OF MATERIAL ON LAST PAGE

This drawing is confidential and must not be reproduced or used without the consent of EXM

Ce dessin est confidentiel et ne doit pas être reproduit ou utilisé sans le consentement de EXM

| STANDARD FEATURES ARE NOT LISTED IN THIS HOLE TABLE | | | |
|---|--------|--------|-------------|
| HOLE TABLE - TOP VIEW (CUSTOM FEATURE ONLY) | | | |
| CUT-OUT | XDIM | YDIM | DESCRIPTION |
| 1 | 6.000 | 15.514 | RND Ø0.290 |
| 2 | 30.000 | 15.514 | RND Ø0.290 |
| 3 | 18.000 | 15.514 | RND Ø0.290 |



| | | | |
|--|-------------------------------|----------|-------|
| | Description | Status | |
| | 5412ESFM 60" x 36" x 16" Body | | |
| | Part Number Numéro Pièce | Rev. | |
| | 5412ESFM603616B | 0 | 2 / 7 |

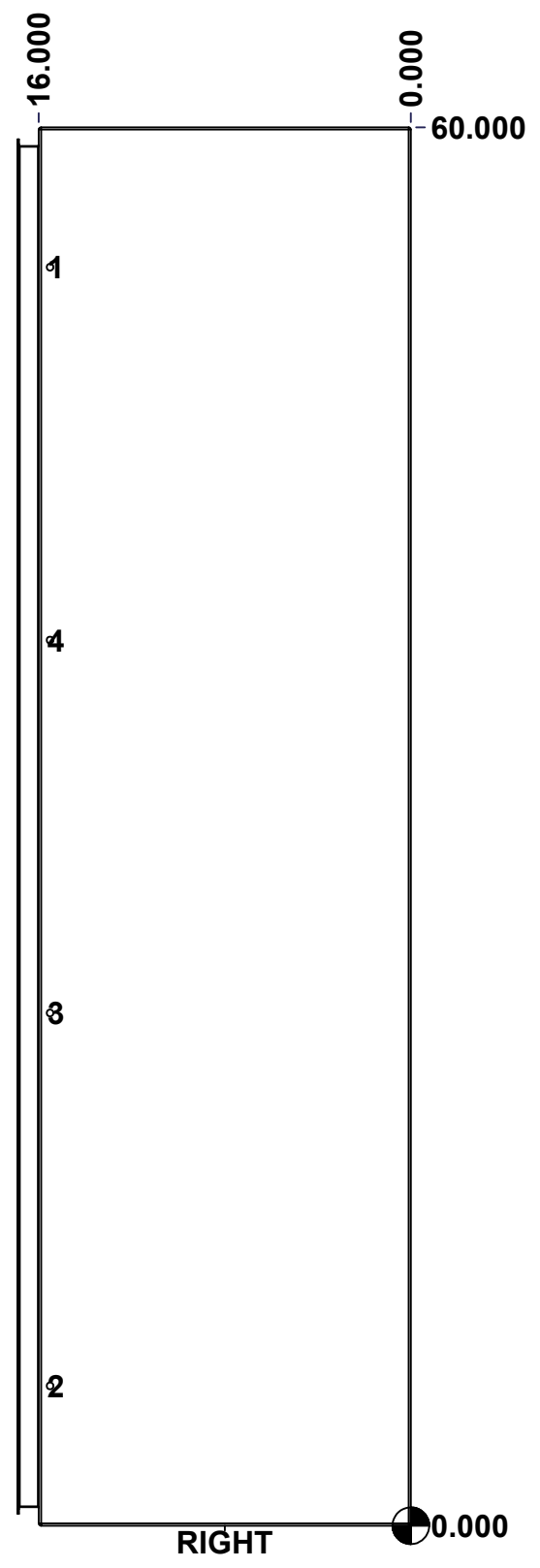
This drawing is confidential and must not be reproduced or used without the consent of EXM

Ce dessin est confidentiel et ne doit pas être reproduit ou utilisé sans le consentement de EXM

STANDARD FEATURES ARE NOT LISTED IN THIS HOLE TABLE

HOLE TABLE - RIGHT VIEW (CUSTOM FEATURE ONLY)

| CUT-OUT | XDIM | YDIM | DESCRIPTION |
|---------|--------|--------|-------------|
| 1 | 15.514 | 54.000 | RND Ø0.290 |
| 2 | 15.514 | 6.000 | RND Ø0.290 |
| 3 | 15.514 | 22.000 | RND Ø0.290 |
| 4 | 15.514 | 38.000 | RND Ø0.290 |

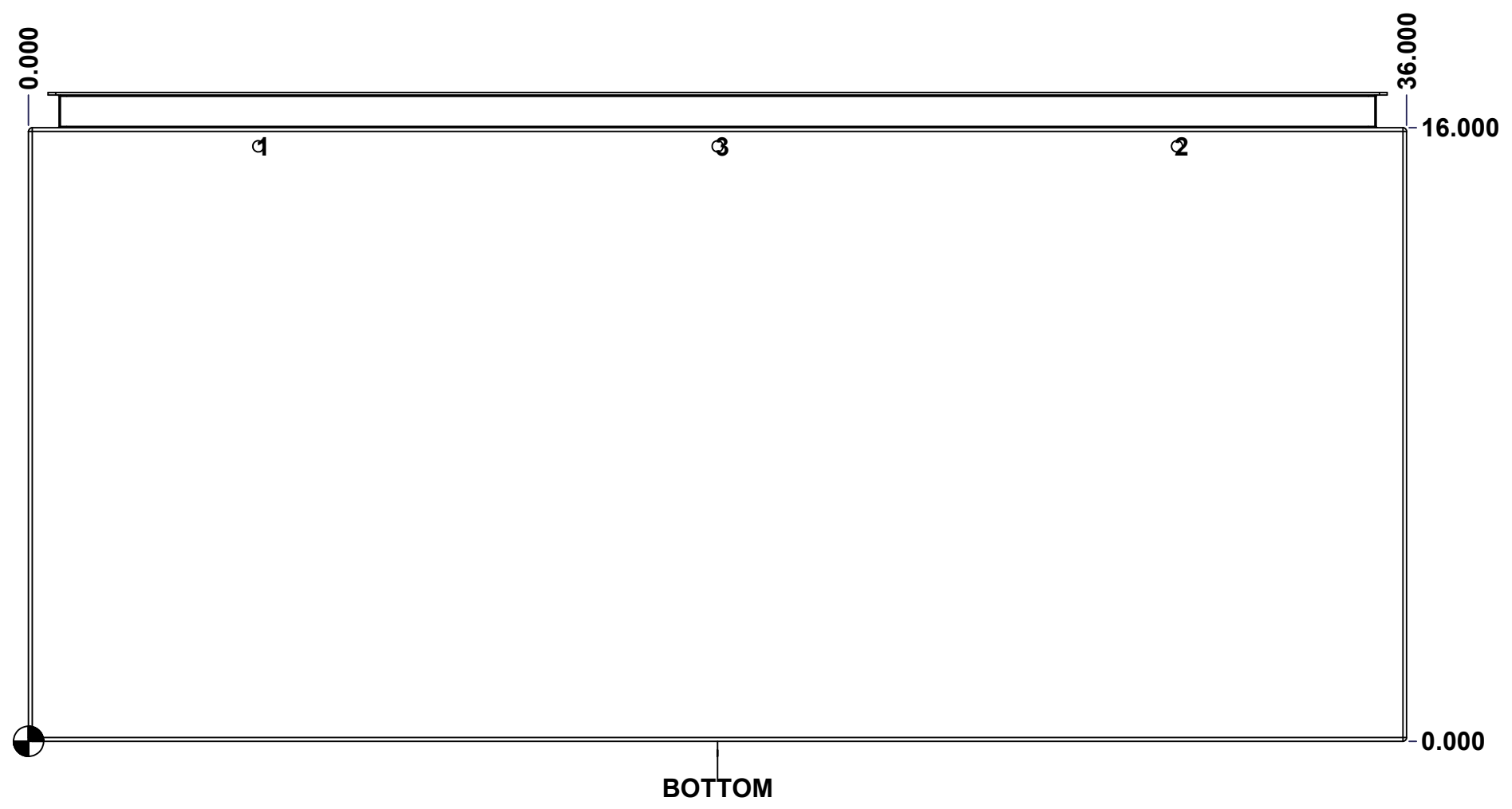


| | | | |
|--|-------------------------------|--|----------|
| | Description | | Status |
| | 5412ESFM 60" x 36" x 16" Body | | |
| | Part Number Numéro Pièce | | Rev. |
| | 5412ESFM603616B | | 0 |
| | | | 3 |
| | | | 7 |

This drawing is confidential and must not be reproduced or used without the consent of EXM

Ce dessin est confidentiel et ne doit pas être reproduit ou utilisé sans le consentement de EXM

| STANDARD FEATURES ARE NOT LISTED IN THIS HOLE TABLE | | | |
|---|--------|--------|-------------|
| HOLE TABLE - BOTTOM VIEW (CUSTOM FEATURE ONLY) | | | |
| CUT-OUT | XDIM | YDIM | DESCRIPTION |
| 1 | 6.000 | 15.514 | RND Ø0.290 |
| 2 | 30.000 | 15.514 | RND Ø0.290 |
| 3 | 18.000 | 15.514 | RND Ø0.290 |



| | | | |
|--|-------------------------------|----------|-----|
| | Description | Status | |
| | 5412ESFM 60" x 36" x 16" Body | | |
| | Part Number Numéro Pièce | Rev. | |
| | 5412ESFM603616B | 0 | 4/7 |

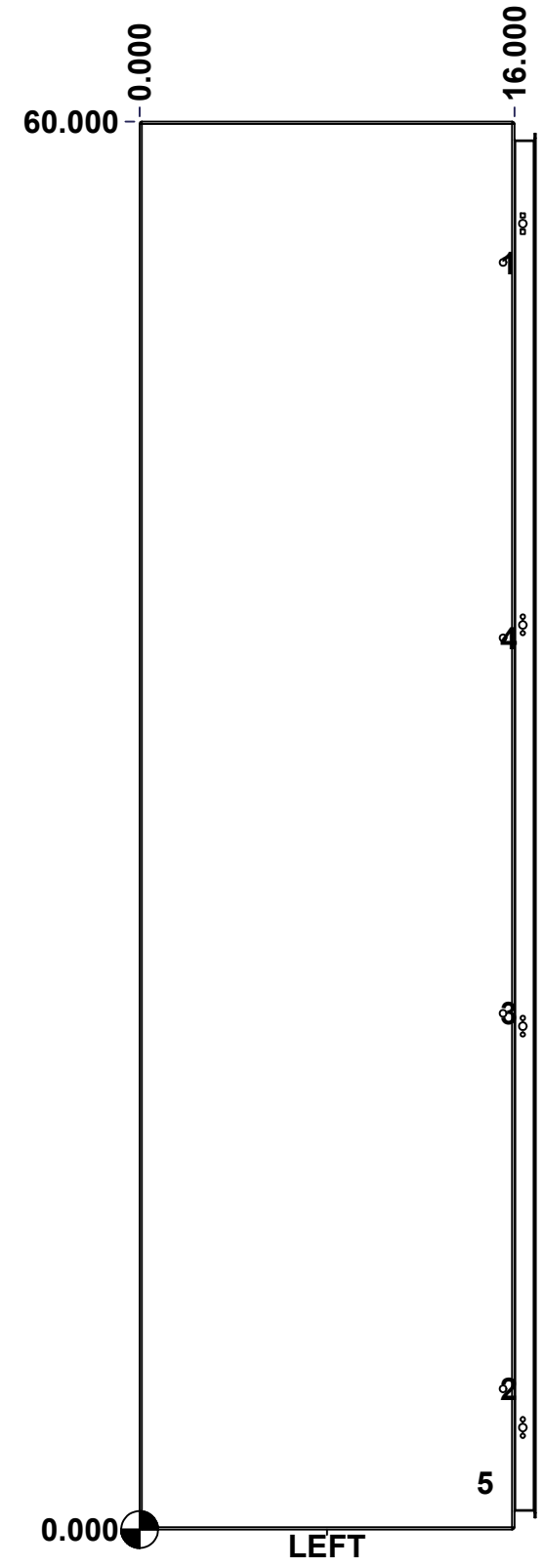
This drawing is confidential and must not be reproduced or used without the consent of EXM

Ce dessin est confidentiel et ne doit pas être reproduit ou utilisé sans le consentement de EXM

STANDARD FEATURES ARE NOT LISTED IN THIS HOLE TABLE

HOLE TABLE - LEFT VIEW (CUSTOM FEATURE ONLY)

| CUT-OUT | XDIM | YDIM | DESCRIPTION |
|---------|--------|--------|-----------------------------|
| 1 | 15.514 | 54.000 | RND Ø0.290 |
| 2 | 15.514 | 6.000 | RND Ø0.290 |
| 3 | 15.514 | 22.000 | RND Ø0.290 |
| 4 | 15.514 | 38.000 | RND Ø0.290 |
| 5 | 14.500 | 2.000 | GND STUD M6 x 16mm (Inside) |



| | | | |
|--|-------------------------------|----------|-------|
| | Description | Status | |
| | 5412ESFM 60" x 36" x 16" Body | | |
| | Part Number Numéro Pièce | Rev. | |
| | 5412ESFM603616B | 0 | 5 / 7 |

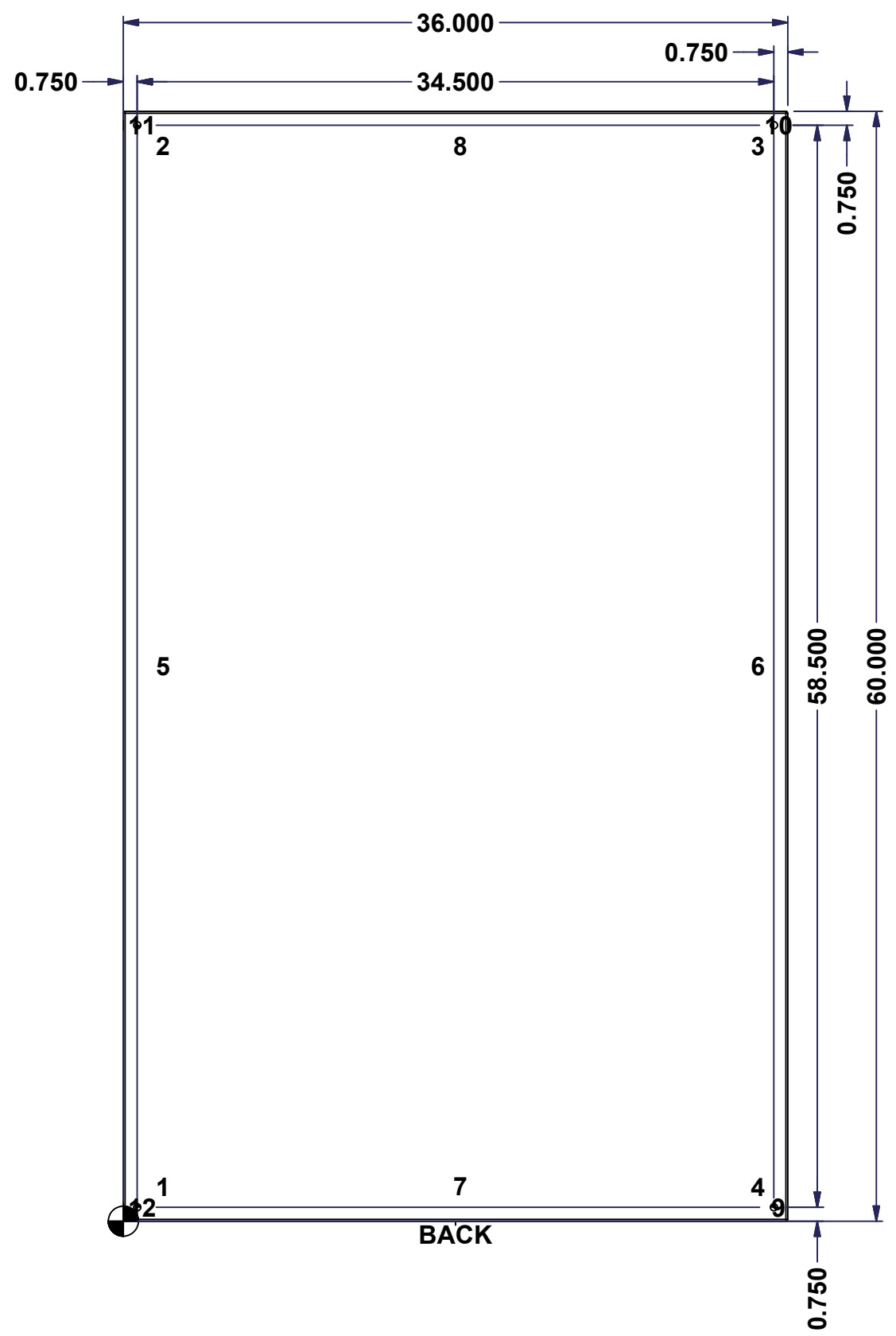
This drawing is confidential and must not be reproduced or used without the consent of EXM

Ce dessin est confidentiel et ne doit pas être reproduit ou utilisé sans le consentement de EXM

STANDARD FEATURES ARE NOT LISTED IN THIS HOLE TABLE

HOLE TABLE - BACK VIEW (CUSTOM FEATURE ONLY)

| CUT-OUT | XDIM | YDIM | DESCRIPTION |
|---------|--------|--------|----------------------------|
| 1 | 1.875 | 1.875 | IP STUD M8 x 35mm (Inside) |
| 2 | 1.875 | 58.125 | IP STUD M8 x 35mm (Inside) |
| 3 | 34.125 | 58.125 | IP STUD M8 x 35mm (Inside) |
| 4 | 34.125 | 1.875 | IP STUD M8 x 35mm (Inside) |
| 5 | 1.875 | 30.000 | IP STUD M8 x 35mm (Inside) |
| 6 | 34.125 | 30.000 | IP STUD M8 x 35mm (Inside) |
| 7 | 18.000 | 1.875 | IP STUD M8 x 35mm (Inside) |
| 8 | 18.000 | 58.125 | IP STUD M8 x 35mm (Inside) |
| ----- | | | |
| 9 | 35.250 | 0.750 | RND Ø0.390 |
| 10 | 35.250 | 59.250 | RND Ø0.390 |
| 11 | 0.750 | 59.250 | RND Ø0.390 |
| 12 | 0.750 | 0.750 | RND Ø0.390 |



| | | |
|--|-------------------------------|----------|
| | Description | Status |
| | 5412ESFM 60" x 36" x 16" Body | |
| | Part Number | Rev. |
| | Numéro Pièce | 6 |
| | 5412ESFM603616B | 0 |
| | | 7 |

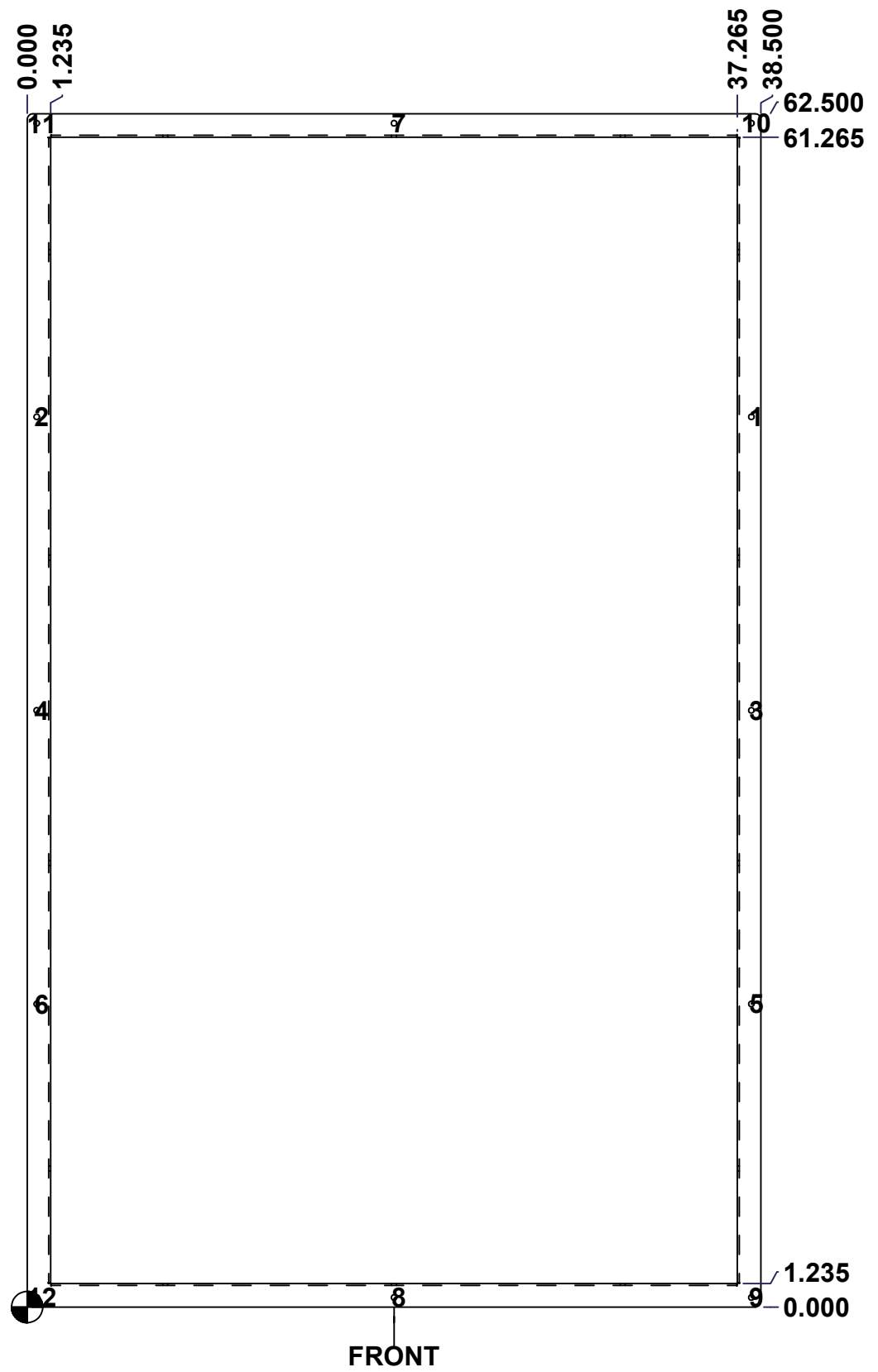
This drawing is confidential and must not be reproduced or used without the consent of EXM

Ce dessin est confidentiel et ne doit pas être reproduit ou utilisé sans le consentement de EXM

STANDARD FEATURES ARE NOT LISTED IN THIS HOLE TABLE

HOLE TABLE - FRONT VIEW (CUSTOM FEATURE ONLY)

| CUT-OUT | XDIM | YDIM | DESCRIPTION |
|---------|--------|--------|-------------|
| 1 | 38.000 | 46.625 | RND Ø0.290 |
| 2 | 0.500 | 46.625 | RND Ø0.290 |
| 3 | 38.000 | 31.250 | RND Ø0.290 |
| 4 | 0.500 | 31.250 | RND Ø0.290 |
| 5 | 38.000 | 15.875 | RND Ø0.290 |
| 6 | 0.500 | 15.875 | RND Ø0.290 |
| 7 | 19.250 | 62.000 | RND Ø0.290 |
| 8 | 19.250 | 0.500 | RND Ø0.290 |
| 9 | 38.000 | 0.500 | RND Ø0.290 |
| 10 | 38.000 | 62.000 | RND Ø0.290 |
| 11 | 0.500 | 62.000 | RND Ø0.290 |
| 12 | 0.500 | 0.500 | RND Ø0.290 |

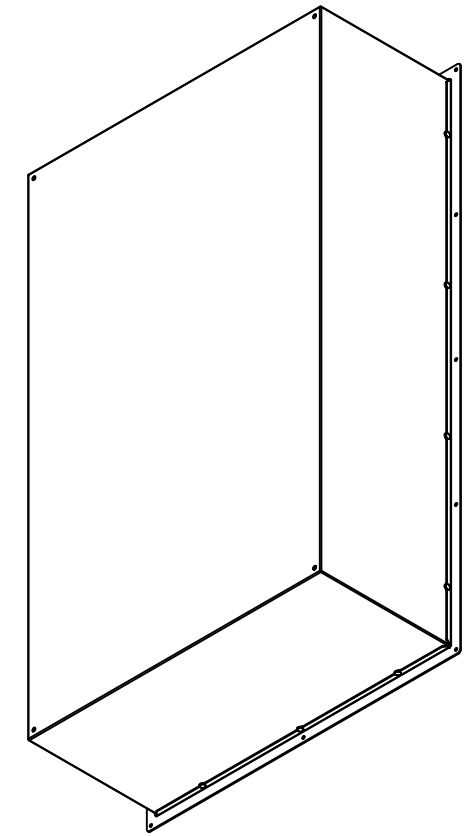


| | | | | |
|-----------------------------|---------------------------------|----------|--------|--|
| | Description | | Status | |
| | 5412ESFM 60" x 36" x 16" Flange | | | |
| Part Number Numéro Pièce | | Rev. | 1/1 | |
| 5412ESFM603616B | | 0 | | |

This drawing is confidential and must not be reproduced or used without the consent of EXM



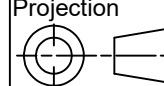
Ce dessin est confidentiel et ne doit pas être reproduit ou utilisé sans le consentement de EXM

| No. | Revisions | Date | By/Par |
|-----|-----------|------|--------|
| | | | |
| | | | |
| | | | |
| | | | |
| | | | |



Isometric View

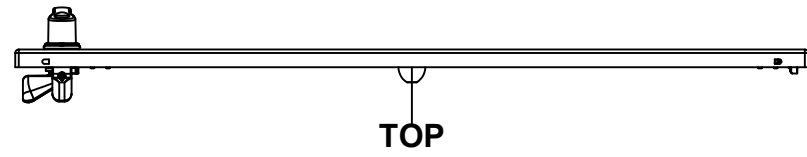


| | | |
|--|-----------------------|---|
|  Tél: (450) 979-4373 Fax: (450) 979-4626 www.exmweb.com | | Flatness Aplatissement  Max 3.0mm Projection  |
| Customer Client | Date | |
| Drawn By / Dessiné Par: BoxCad: BoxCad | Date: 18-Feb-14 | |
| Material / Matière: 14 Ga H.R.P. & O. (1.7mm) | | |
| Color / Couleur: Asa-61 Grey | Finish / Fini: Smooth | |
| Description: 5412ESFM 60" x 36" x 16" Body | | Detail Rev. |
| Part Number / Numéro Pièce: 5412ESFM603616B | | Rev. 7 |

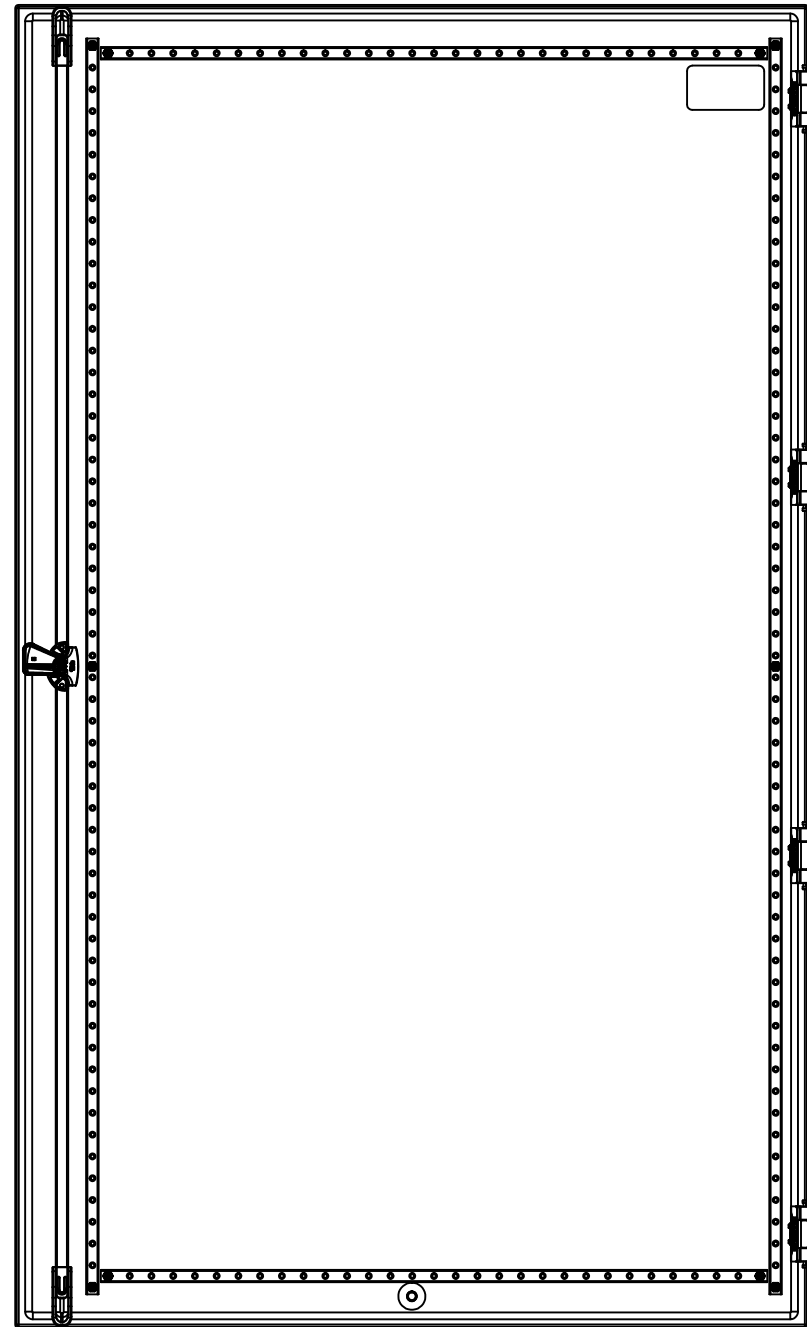
| Qty | Part Number | Rev | Description |
|------------|-------------------|-----|--------------------------------------|
| 1 | STK-Q-16080 | 0 | Ground Stud M6 x 16mm |
| 1 | 5412ESFM603616F | 0 | 5412ESFM 60" x 36" x 16" Flange |
| 1 | STK-P-02400S | 0 | Powder Paint (Asa-61 Grey / Smooth) |
| 8 | STK-Q-16005 | 1 | Stud M8 x 35 (No Paint Cap Required) |
| 1 | 5412ESFM603616B-P | 0 | 5412ESFM 60" x 36" x 16" Body Part |
| Parts List | | | |

This drawing is confidential and must not be reproduced or used without the consent of EXM

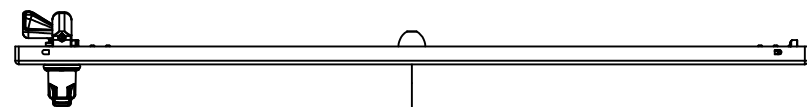
Ce dessin est confidentiel et ne doit pas être reproduit ou utilisé sans le consentement de EXM



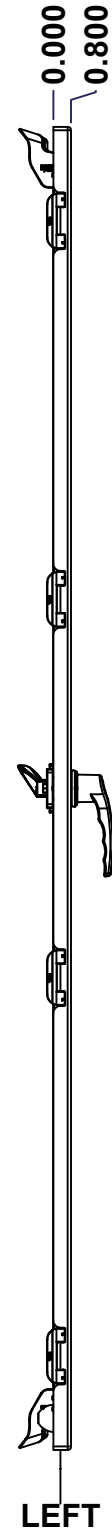
TOP



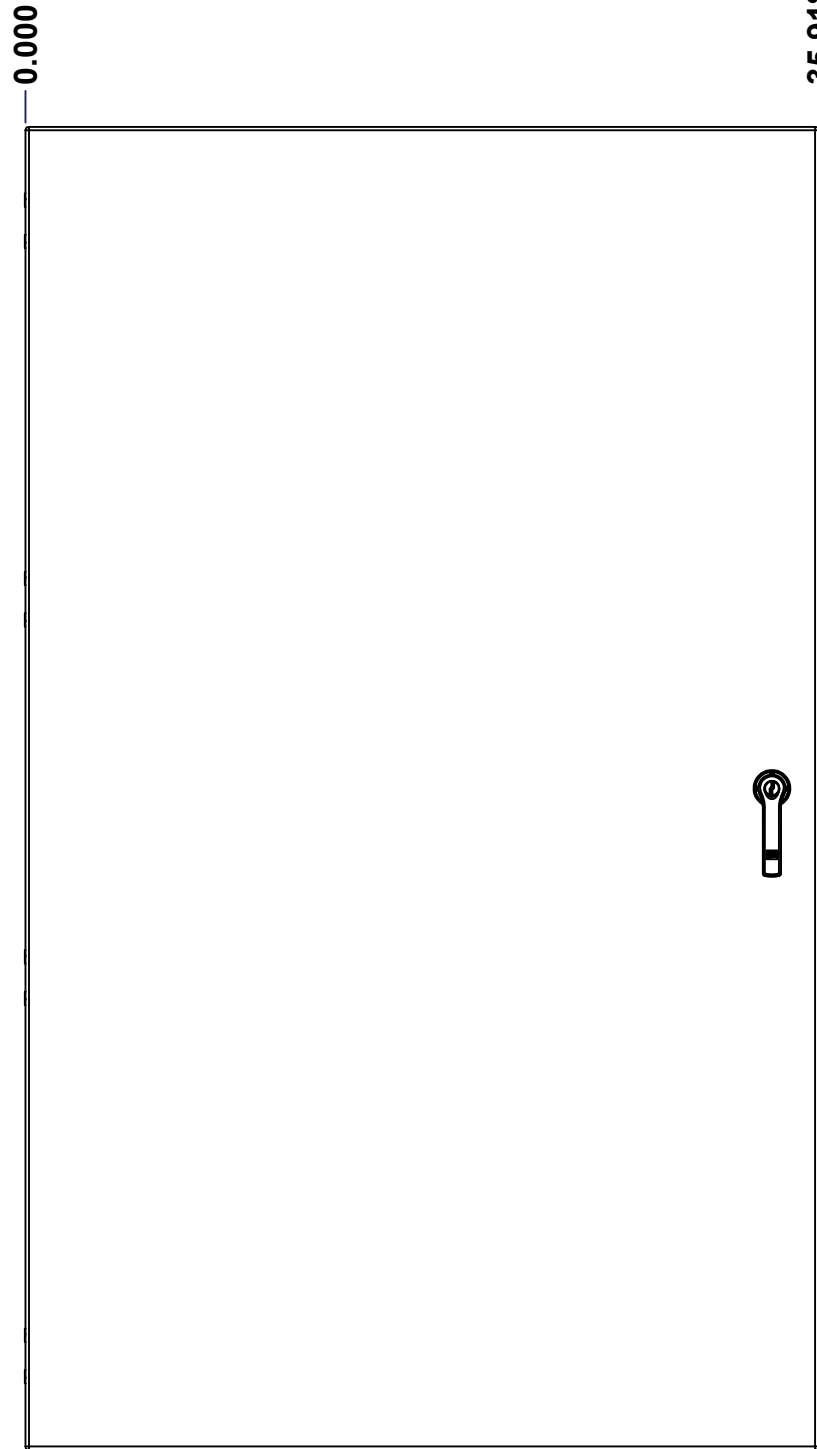
BACK



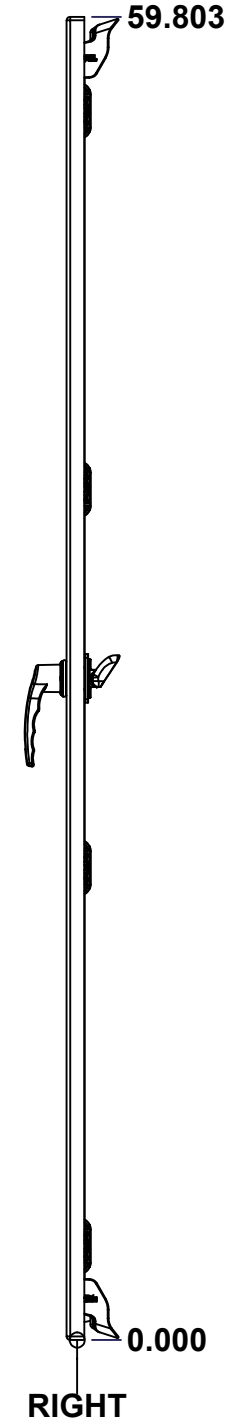
BOTTOM



LEFT



FRONT



RIGHT

0.000
0.800

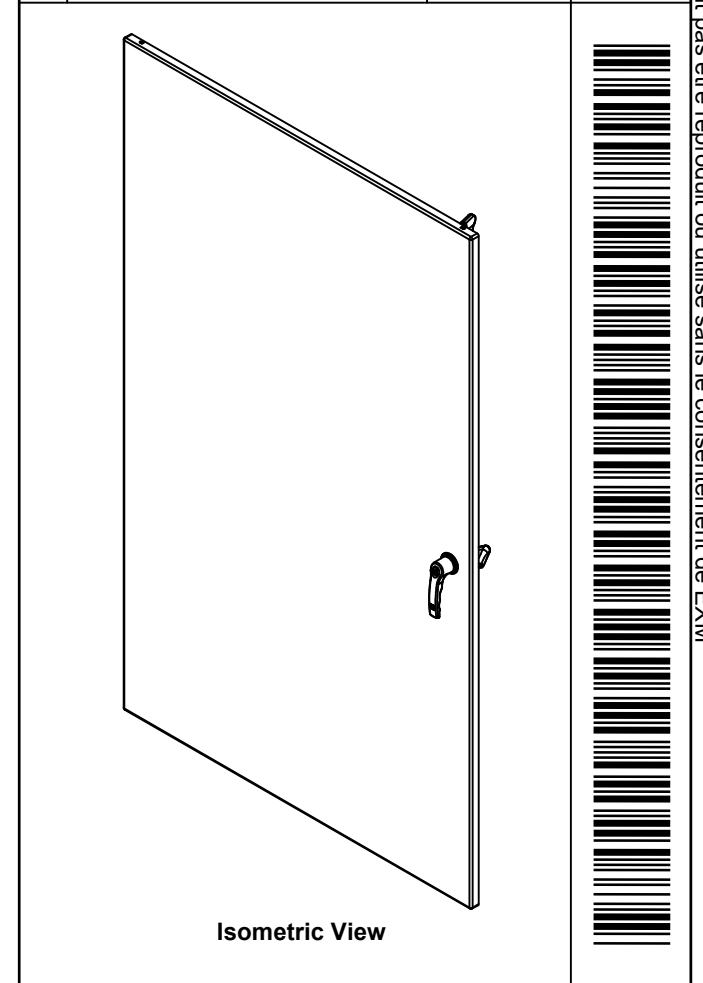
0.000


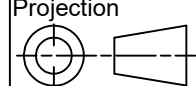
35.918

59.803

0.000

| No. | Revisions | Date | By/Par |
|-----|-----------|------|--------|
| | | | |
| | | | |
| | | | |
| | | | |
| | | | |



| | | | |
|--|----------------|---|-----------|
|  Tél: (450) 979-4373 Fax: (450) 979-4626 www.exmweb.com | | Flatness Aplatissement | |
| | | Max 3.0mm | |
| Customer Client | | Projection | |
| Date | |  | |
| Drawn By Dessiné Par | BoxCad: BoxCad | Date | 18-Feb-14 |
| Material Matière | | 14 Ga H.R.P. & O. (1.7mm) | |
| Color Couleur | Asa-61 Grey | Finish Fini | Smooth |
| Description | | Detail Rev. | |
| 5412ESFM 60" x 36" Cover | | | |
| Part Number Numéro Pièce | | Rev. | 1 |
| 5412ESFM603616C | | 0 | 3 |

SEE BILL OF MATERIAL ON LAST PAGE

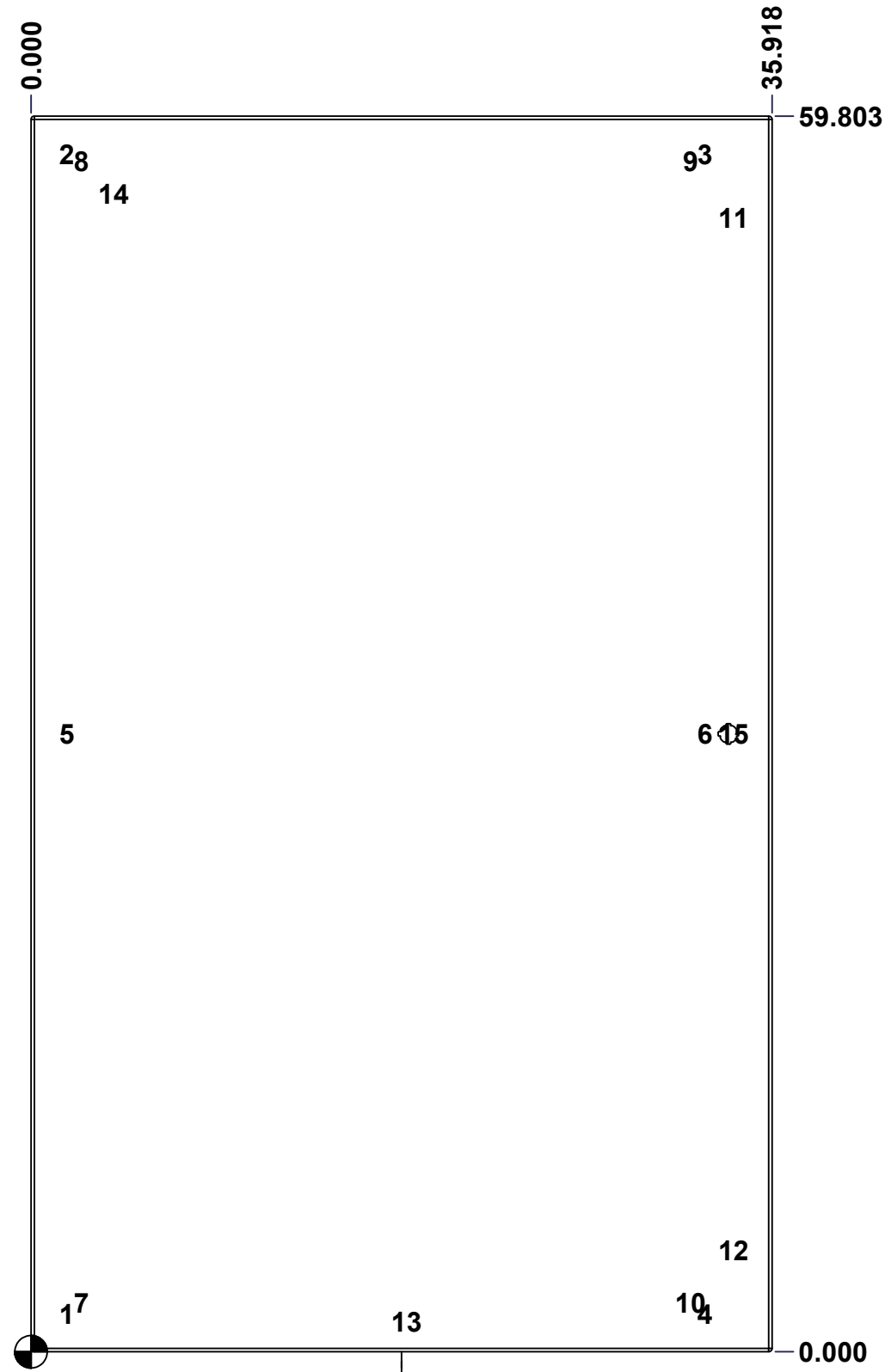
This drawing is confidential and must not be reproduced or used without the consent of EXM

Ce dessin est confidentiel et ne doit pas être reproduit ou utilisé sans le consentement de EXM

STANDARD FEATURES ARE NOT LISTED IN THIS HOLE TABLE

HOLE TABLE - FRONT VIEW (CUSTOM FEATURE ONLY)

| CUT-OUT | XDIM | YDIM | DESCRIPTION |
|---------|--------|--------|---------------------------|
| 1 | 1.486 | 1.850 | STUD M6 x 18mm (Inside) |
| 2 | 1.486 | 57.953 | STUD M6 x 18mm (Inside) |
| 3 | 32.423 | 57.953 | STUD M6 x 18mm (Inside) |
| 4 | 32.423 | 1.850 | STUD M6 x 18mm (Inside) |
| 5 | 1.486 | 29.902 | STUD M6 x 18mm (Inside) |
| 6 | 32.423 | 29.902 | STUD M6 x 18mm (Inside) |
| 7 | 2.191 | 2.350 | STUD M6 x 18mm (Inside) |
| 8 | 2.191 | 57.619 | STUD M6 x 18mm (Inside) |
| 9 | 31.718 | 57.619 | STUD M6 x 18mm (Inside) |
| 10 | 31.718 | 2.350 | STUD M6 x 18mm (Inside) |
| 11 | 33.803 | 54.896 | CLOSING BAR STUD (Inside) |
| 12 | 33.803 | 4.907 | CLOSING BAR STUD (Inside) |
| 13 | 17.959 | 1.435 | STUD M6 x 18mm (Inside) |
| ----- | | | |
| 14 | 3.750 | 56.053 | LABEL_EXM (Inside) |
| 15 | 33.803 | 29.902 | HANDLE 885 ESL2A @ 0.0° |



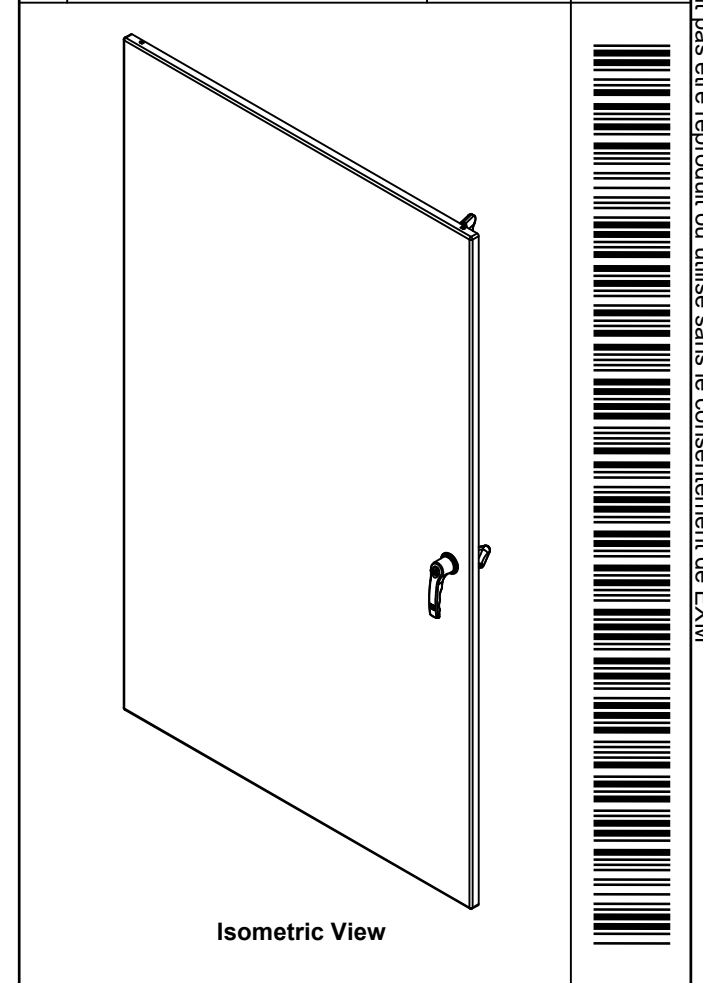
FRONT

| | | |
|--|-----------------------------|------------------|
| | Description | Status |
| | 5412ESFM 60" x 36" Cover | (NULL) |
| | Part Number Numéro Pièce | Rev. |
| | 5412ESFM603616C | 0 / 2 / 3 |

This drawing is confidential and must not be reproduced or used without the consent of EXM

Ce dessin est confidentiel et ne doit pas être reproduit ou utilisé sans le consentement de EXM

| No. | Revisions | Date | By/Par |
|-----|-----------|------|--------|
| | | | |
| | | | |
| | | | |
| | | | |
| | | | |



| 2 | STK-Q-90042 | 4 | 5412 ES - Cabinet Closing Bar End (Small) |
|------------|-------------------|-----|---|
| 2 | STK-Q-45655-60 | 0 | 5412 ES - Closing Bar |
| 1 | STK-Q-50536 | 11 | 5412 ES - Handle Cam Clockwise (Grip 32mm) |
| 1 | 885 ESL2A | 4 | 5412 ES Key Lock L-Handle (3 Pts) |
| 1 | STK-S-00100 | 0 | 3.5" x 2" Silver Milar Flexcon Sticker |
| 1 | STK-P-02400S | 0 | Powder Paint (Asa-61 Grey / Smooth) |
| 1 | STK-Q-46515 | 3 | 5412 ES Door Support with Brass Insert |
| 2 | STK-Q-46025-36-3 | 0.1 | 5412 ES Horizontal Door Stiffener 36" (3 Pts) |
| | | 1 | |
| 2 | STK-Q-46020-60 | 5 | 5412 ES Vertical Door Stiffener 60" |
| 2 | STK-Q-16405 | 6 | Guide Stud - Small (No Paint Cap Required) |
| 11 | STK-Q-16055 | 1 | M6 x 18mm Stud (No Paint Cap Required) |
| 1 | 5412ESFM603616G | 0 | 5412ESFM 60" x 36" Cover Gasket Part |
| 1 | 5412ESFM603616C-P | 0 | 5412ESFM 60" x 36" Cover Part |
| 4 | STK-K-09800 | 10 | 5412 ES Hinge with 2 Captive Hinge Pins |
| 10 | STK-Q-07220 | 1 | M6 Nylon Insert Lock Nut |
| Qty | Part Name | Rev | Description |
| Parts List | | | |

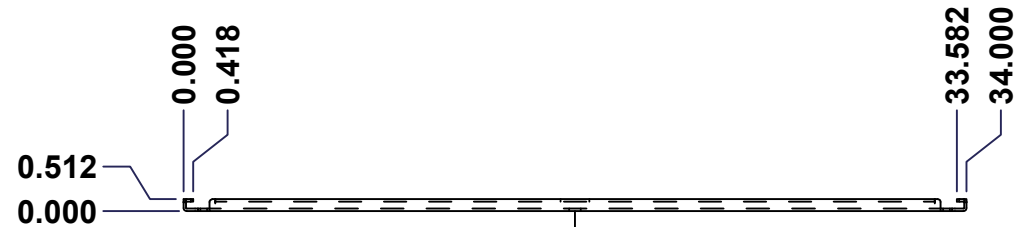
| | |
|---|---------------------------|
| <p>Tél: (450) 979-4373 Fax: (450) 979-4626 www.exmweb.com</p> | Flatness Aplatissement |
| | Max 3.0mm |
| Projection | |
| Customer Client | Date |
| Drawn By Dessiné Par | Date 18-Feb-14 |
| Material Matière | BoxCad: BoxCad |
| Color Couleur | 14 Ga H.R.P. & O. (1.7mm) |
| Finish Fini | Asa-61 Grey |
| Description | Smooth |
| 5412ESFM 60" x 36" Cover | Detail Rev. |
| Part Number Numéro Pièce | Rev. 3 |
| 5412ESFM603616C | 0 3 |

This drawing is confidential and must not be reproduced or used without the consent of EXM

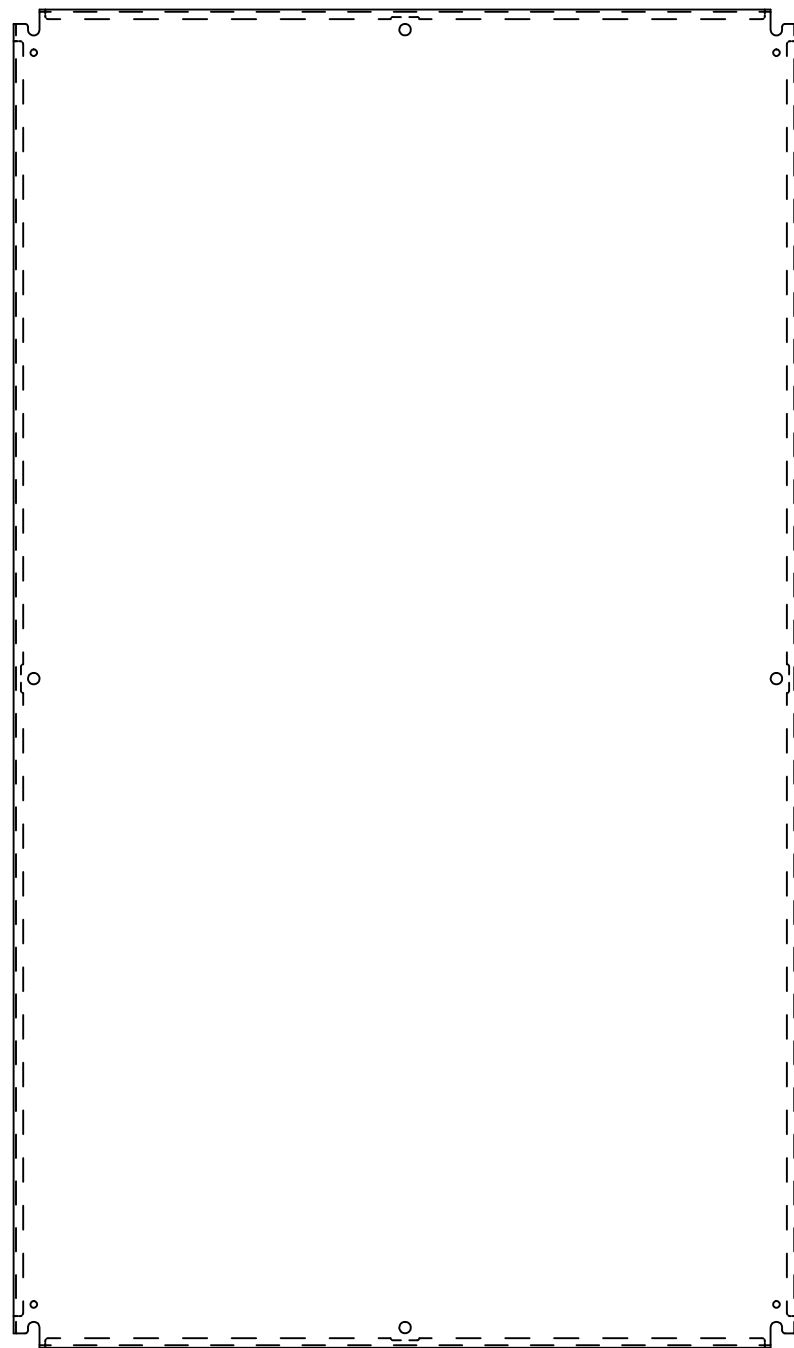
Tolerance ±1/32" unless otherwise specified

C:\Vault Workspace\Inventor Dwg\Inv-8\881SP\881SP6036G.idw

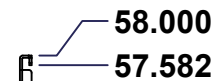
Tolérance ±1/32" sauf spécification contraire



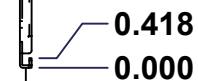
TOP



FRONT



RIGHT



| No. | Revisions | Date | By/Par |
|-----|-----------|------|--------|
| | | | |
| | | | |
| | | | |
| | | | |
| | | | |

Isometric View

Ce dessin est confidentiel et ne doit pas être reproduit ou utilisé sans le consentement de EXM

| | | | | | |
|---|--|--|--|--|--|
| | | Tél: (450) 979-4373 Fax: (450) 979-4626 www.exmweb.com | | Flatness Aplatissement Max 3.0mm | |
| Customer Client | | Date | | Projection | |
| Drawn By Dessiné Par: BoxCad | | Date: 1/23/2007 | | | |
| Material Matière: See Part List | | Color Couleur: See Part List | | | |
| Finish Fini: See Part List | | Description: 881 SP - Inner Panel | | | |
| Part Number Numéro Pièce: 881 SP6036G | | Detail Rev.: 0 | | Rev.: 1/2 | |

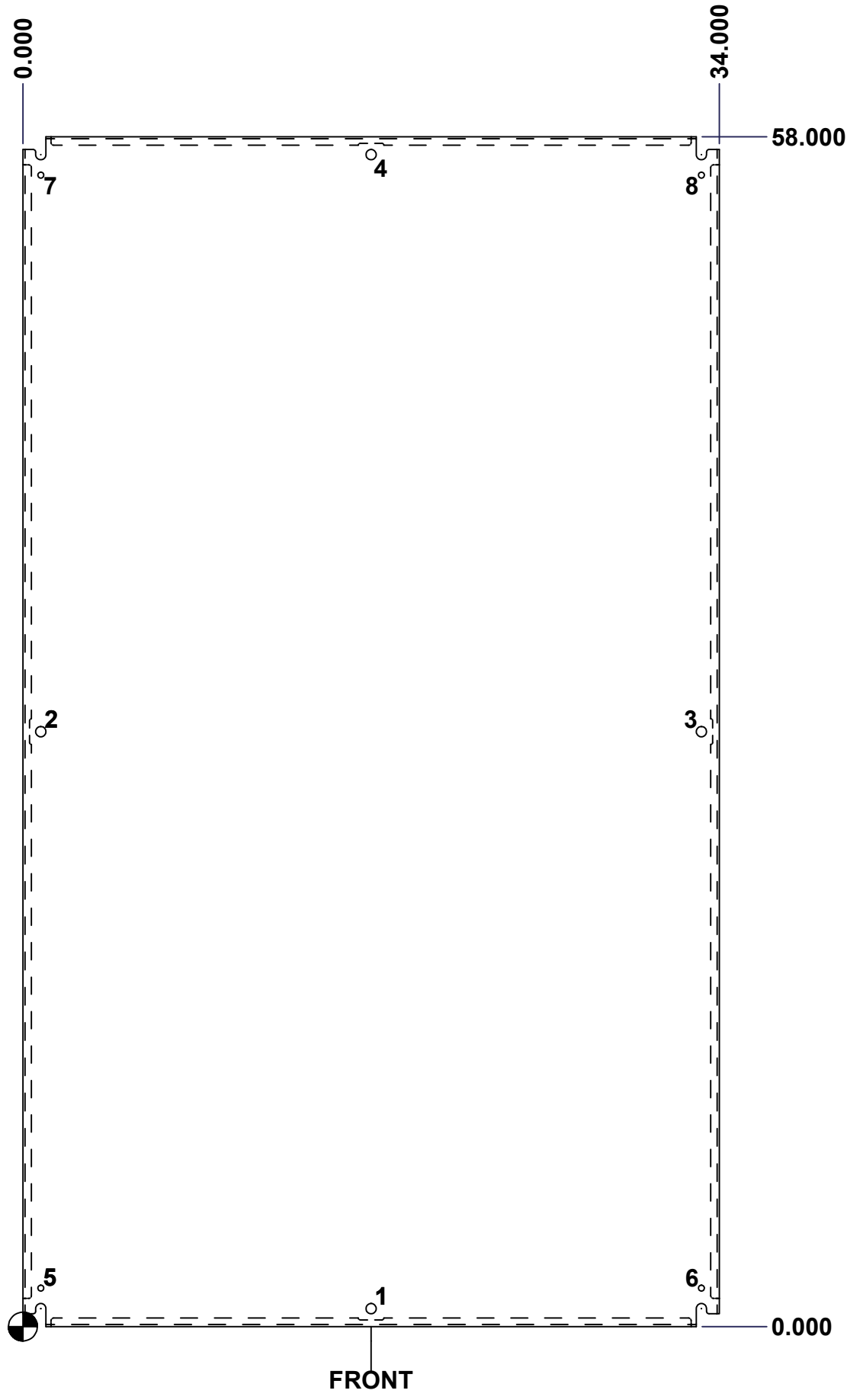
| Qty | Part Number | Rev | Description | Material | Color | Finish |
|-----|---------------|-----|---------------------------|------------------|-----------|------------|
| 1 | 881 SP6036G-P | 0 | 881 SP - Inner Panel Part | 12 Ga Galvanized | Unpainted | Galvanized |

Parts List

This drawing is confidential and must not be reproduced or used without the consent of EXM

Ce dessin est confidentiel et ne doit pas être reproduit ou utilisé sans le consentement de EXM

| Table 1 | | | FRONT VIEW |
|---------|--------|--------|----------------------------|
| CUT-OUT | XDIM | YDIM | DESCRIPTION |
| 1 | 17.000 | 0.875 | MTG STUD HOLE (RND Ø0.500) |
| 2 | 0.875 | 29.000 | MTG STUD HOLE (RND Ø0.500) |
| 3 | 33.125 | 29.000 | MTG STUD HOLE (RND Ø0.500) |
| 4 | 17.000 | 57.125 | MTG STUD HOLE (RND Ø0.500) |
| 5 | 0.875 | 1.875 | GROUND HOLE (RND Ø0.290) |
| 6 | 33.125 | 1.875 | GROUND HOLE (RND Ø0.290) |
| 7 | 0.875 | 56.125 | GROUND HOLE (RND Ø0.290) |
| 8 | 33.125 | 56.125 | GROUND HOLE (RND Ø0.290) |



All knockouts are actual size / Les disques défonçables sont grandeur réel

| No. | Revisions | Date | By/Par |
|-----|-----------|------|--------|
| | | | |
| | | | |
| | | | |
| | | | |
| | | | |
| | | | |

Isometric View

| | | | | |
|---|--|--|--------|--|
| | | Tél: (450) 979-4373 Fax: (450) 979-4626 www.exmweb.com | | Flatness Aplatissement Max 3.0mm |
| Customer Client | | Date | | Projection |
| Drawn By Dessiné Par BoxCad | | Date 1/23/2007 | | Material Matière See Part List |
| Color Couleur See Part List | | Finish Fini See Part List | | Description 881 SP - Inner Panel |
| Part Number Numéro Pièce 881 SP6036G | | Rev. 0 | 2 2 | Detail Rev. |