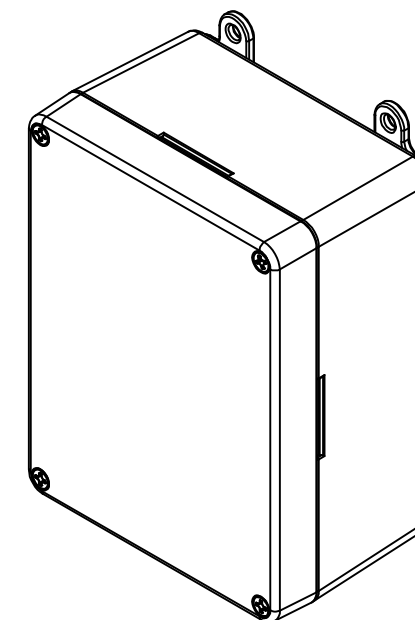
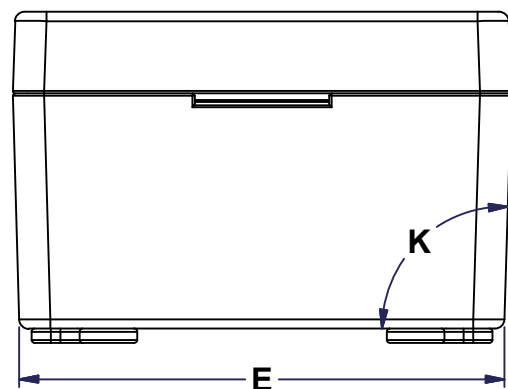
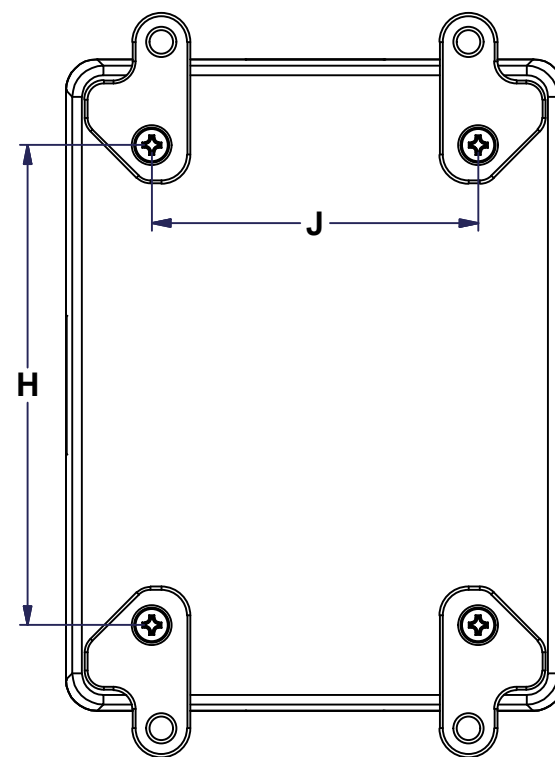
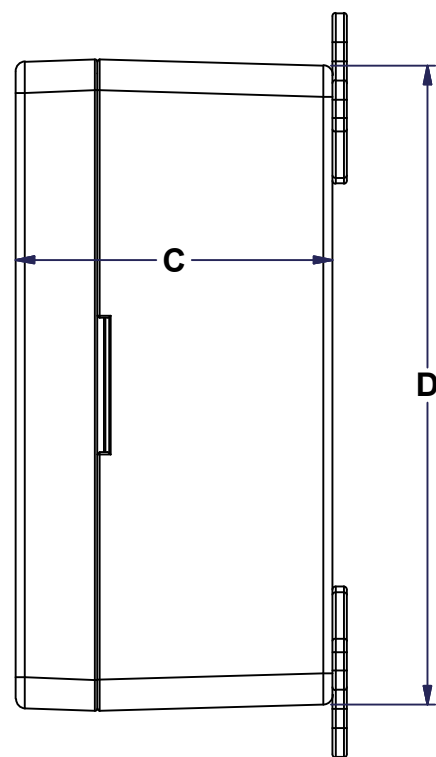
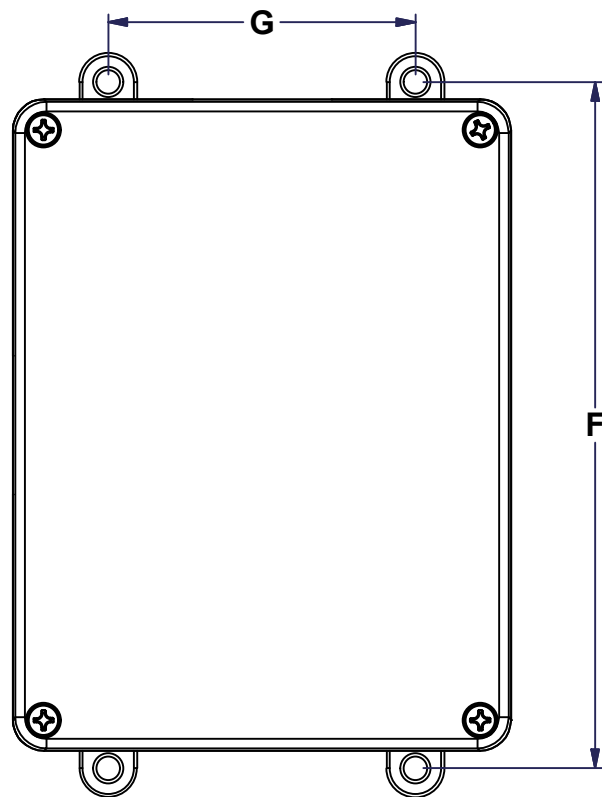


All knockouts are actual size / Les disques défonçables sont grandeur réel
 All dimensions are before paint / Toutes les dimensions sont avant peinture

No.	Revisions	Date	By/Par

Model	Body	Cover	A	B	C	D	E	F	G	H	J	K
5412 ESFRS040403	5412 ESFR040403B	5412 ESFRS0404C	4.500	4.500	3.125	4.312	4.312	4.937	2.000	2.250	2.250	91.65
5412 ESFRS040604	5412 ESFR060404B	5412 ESFRS0604C	4.500	6.500	4.125	4.312	6.312	4.937	4.000	2.250	4.250	91.65
5412 ESFRS060404	5412 ESFR060404B	5412 ESFRS0604C	6.500	4.500	4.125	6.312	4.312	6.937	2.000	4.250	2.250	91.65
5412 ESFRS060804	5412 ESFR080604B	5412 ESFRS0806C	6.500	8.500	4.125	6.312	8.312	6.967	6.000	4.250	6.250	91.65
5412 ESFRS080604	5412 ESFR080604B	5412 ESFRS0806C	8.500	6.500	4.125	8.312	6.312	8.937	4.000	6.250	4.250	91.65
5412 ESFRS080804	5412 ESFR080804B	5412 ESFRS0808C	8.500	8.500	4.125	8.312	8.312	8.937	6.000	6.250	6.250	91.65
5412 ESFRS081004	5412 ESFR100804B	5412 ESFRS1008C	8.500	10.500	4.125	8.312	10.312	8.937	8.000	6.250	8.250	91.65
5412 ESFRS100804	5412 ESFR100804B	5412 ESFRS1008C	10.500	8.500	4.125	10.312	8.312	10.937	6.000	8.250	6.250	91.65
5412 ESFRS101205	5412 ESFR121005B	5412 ESFRS1210C	10.500	12.500	5.125	10.312	12.312	10.937	10.000	8.250	10.250	91.65
5412 ESFRS121005	5412 ESFR121005B	5412 ESFRS1210C	12.500	10.500	5.125	12.312	10.312	12.937	8.000	10.250	8.250	91.65
5412ESFRS081006	5412ESFR100806B	5412ESFRS1008C	8.500	10.500	6.125	10.312	8.312	10.937	8.000	6.250	8.250	91.65
5412ESFRS100806	5412ESFR100806B	5412ESFRS1008C	10.500	8.500	6.125	8.312	10.312	8.937	6.000	8.250	6.250	91.65
5412ESFRS121206	5412ESFR121206B	5412ESFRS1212C	12.500	12.500	6.125	12.312	12.312	12.937	10.000	10.250	10.250	91.65
5412ESFRS121406	5412ESFR141206B	5412ESFRS1412C	12.500	14.500	6.125	12.312	14.312	12.937	12.000	10.250	12.250	91.65
5412ESFRS141206	5412ESFR141206B	5412ESFRS1412C	14.500	12.500	6.125	14.312	12.312	14.937	10.000	12.250	10.250	91.65



Isometric View



Tél: (450) 979-4373
 Fax: (450) 979-4626
www.exmweb.com

Flatness
 Aplatissement
 Max 3.0mm
 Projection

Customer Client	Date
Drawn By Dessiné Par MichaelA	Date 19-Jan-15
Material Matière	
Color Couleur	Finish Fini
Description 5412ESFRS Assembly	Detail Rev.
Part Number Numéro Pièce 5412ESFRS-ASSEMBLY	Rev. 1

This drawing is confidential and must not be reproduced or used without the consent of EXM

Ce dessin est confidentiel et ne doit pas être reproduit ou utilisé sans le consentement de EXM