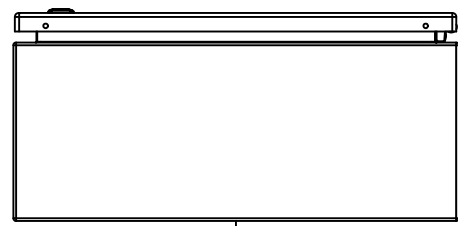
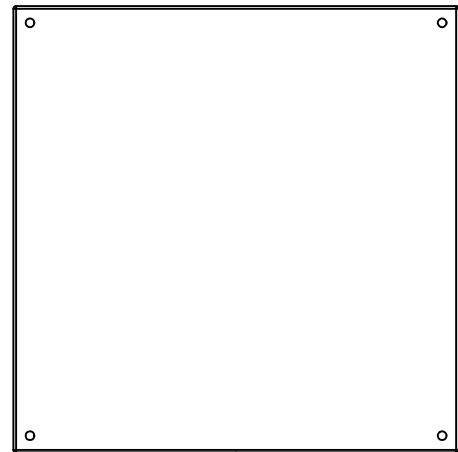


This drawing is confidential and must not be reproduced or used without the consent of EXM

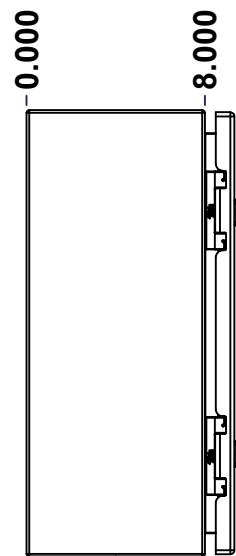
Ce dessin est confidentiel et ne doit pas être reproduit ou utilisé sans le consentement de EXM



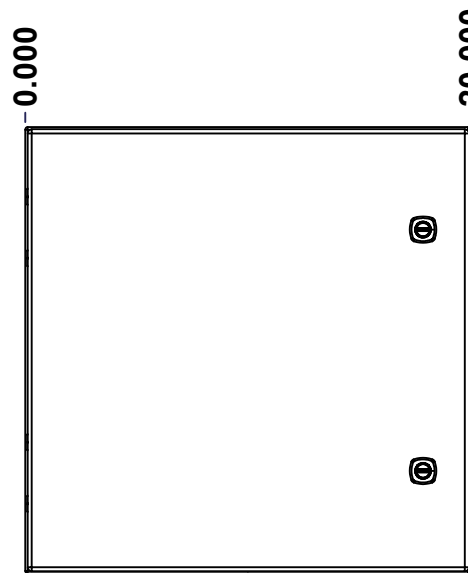
TOP



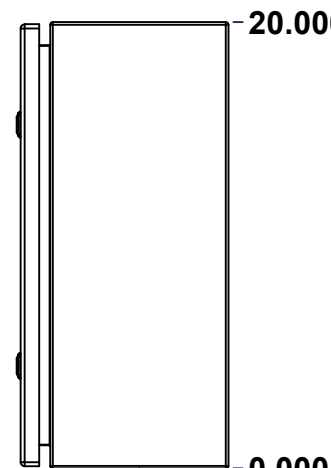
BACK



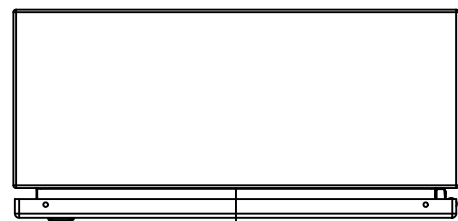
LEFT



FRONT

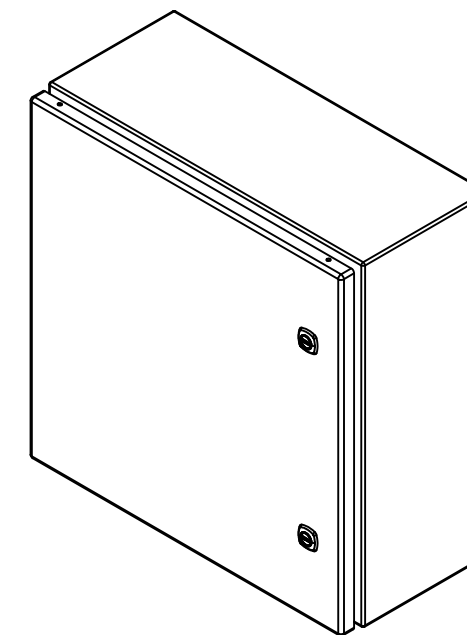


RIGHT



BOTTOM

| No. | Revisions | Date | By/Par |
|-----|-----------|------|--------|
|     |           |      |        |
|     |           |      |        |
|     |           |      |        |
|     |           |      |        |
|     |           |      |        |



Isometric View

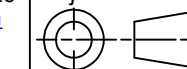


Tél: (450) 979-4373  
 Fax: (450) 979-4626  
[www.exmweb.com](http://www.exmweb.com)

Flatness  
Aplatissement

Max 3.0mm

Projection



|   |                       |
|---|-----------------------|
| Customer Client                               | Date                  |
| Drawn By / Dessiné Par: BoxCad: BoxCad        | Date: 06-May-14       |
| Material / Matière: 12 Ga H.R.P. & O. (2.5mm) |                       |
| Color / Couleur: Asa-61 Grey                  | Finish / Fini: Smooth |
| Description: 5412ESHD 20" x 20" x 8" Assembly | Detail Rev.           |
| Part Number / Numéro Pièce: 5412ESHD202008    | Rev. 1<br>0           |

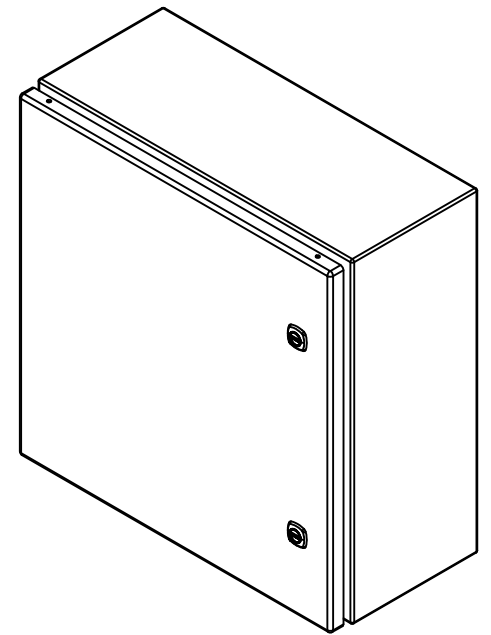
SEE BILL OF MATERIAL ON LAST PAGE

This drawing is confidential and must not be reproduced or used without the consent of EXM

Ce dessin est confidentiel et ne doit pas être reproduit ou utilisé sans le consentement de EXM

| NOTE |  |
|------|--|
| ITEM | DESCRIPTION                                |
| 1    | NEMA 4/12 Enclosure                        |
| 2    | C/W Standard ground studs on box and cover |
| 3    | C/W Standard door stiffener                |
| 4    | C/W Standard inner panel (Included)        |
| 5    | C/W Standard inner panel mounting studs    |

| No. | Revisions | Date | By/Par |
|-----|-----------|------|--------|
|     |           |      |        |
|     |           |      |        |
|     |           |      |        |
|     |           |      |        |
|     |           |      |        |
|     |           |      |        |



Isometric View



Tél: (450) 979-4373  
 Fax: (450) 979-4626  
[www.exmweb.com](http://www.exmweb.com)

Flatness  
Aplatissement  
Max 3.0mm  
Projection

Customer Client  
 Drawn By Dessiné Par BoxCad: BoxCad  
 Date 06-May-14

Material Matière 12 Ga H.R.P. & O. (2.5mm)

Color Couleur Asa-61 Grey  
 Finish Fini Smooth

Description 5412ESHD 20" x 20" x 8" Assembly  
 Detail Rev.

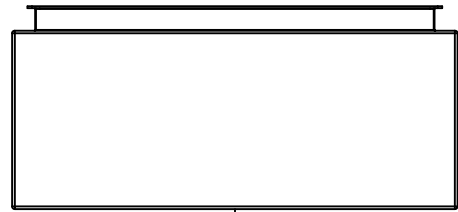
Part Number Numéro Pièce 5412ESHD202008  
 Rev. 0

| Qty        | Part Number     | Rev | Description   |
|------------|-----------------|-----|---|
| 1          | 880 PP          | 6   | Self Adhesive Print Pocket                              |
| 1          | STK-K-01800     | 5   | 5412 ES Accessory Kit                                   |
| 1          | 885SP2020G      | 0   | 885SP 20" x 20" Inner Panel Part                        |
| 1          | 5412ESHD202008C | 0   | 5412ESHD 20" x 20" Cover                                |
| 4          | STK-Q-07310     | 2   | Flange Lock Nut M8                                      |
| 4          | STK-Q-07610     | 8   | M8 Plastic Spacer 22.2mm                                |
| 1          | 5412ESHD202008B | 0   | 5412ESHD 20" x 20" x 8" Body                            |
| 2          | STK-Q-04050-10  | 8   | M6 x 10mm Hexagon Socket Head Machine Screw with Nyseal |
| Parts List |                 |     |   |

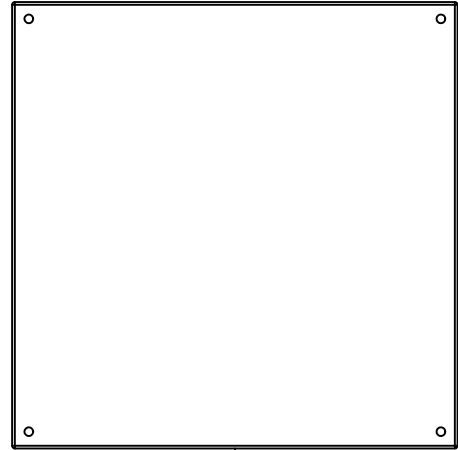
| PACKING               |     |  |
|-----------------------|-----|--|
| ITEM                  | QTY | DESCRIPTION                                |
| Cardboard sleeve      | 2   | Top and Bottom                             |
| Cardboard strip       | 2   | Between back of enclosure and inner panel  |
| Plastic bag           | 1   | To protect cover surface and inside gasket |
| Plastic strap - Black | 2   | To Squeeze the 2 cardboard sleeve together |
| Packaging label       | 1   | White label with product number            |

This drawing is confidential and must not be reproduced or used without the consent of EXM

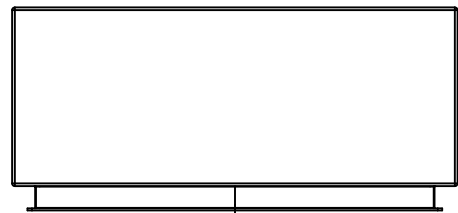
Ce dessin est confidentiel et ne doit pas être reproduit ou utilisé sans le consentement de EXM



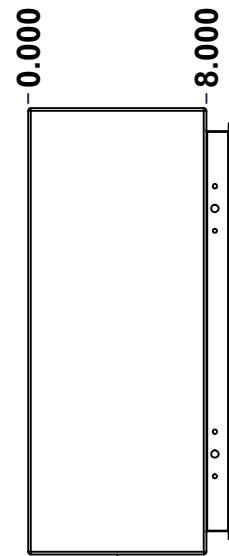
TOP



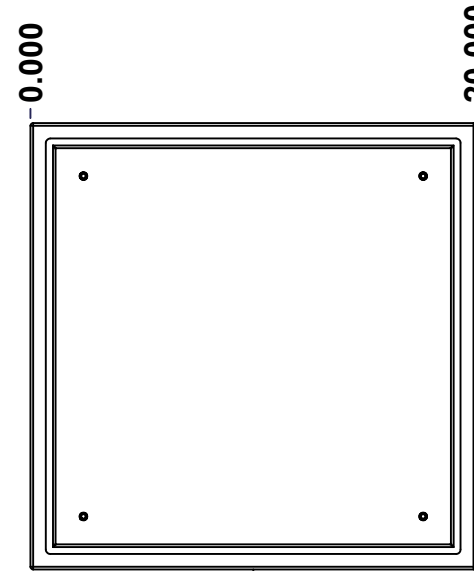
BACK



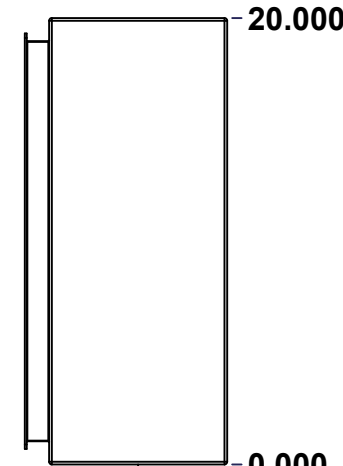
BOTTOM



LEFT

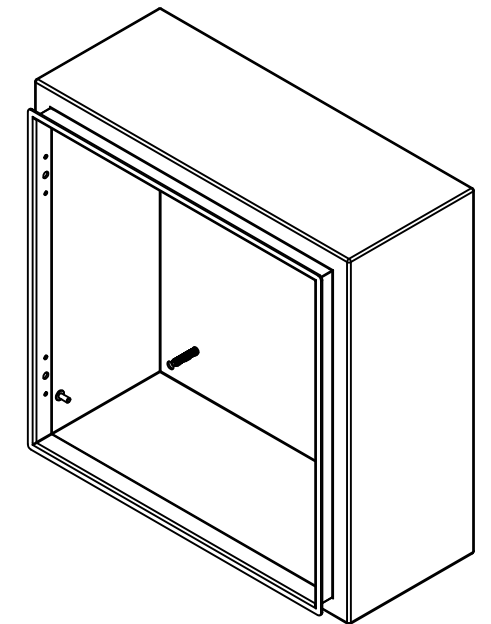


FRONT



RIGHT

| No. | Revisions | Date | By/Par |
|-----|-----------|------|--------|
|     |           |      |        |
|     |           |      |        |
|     |           |      |        |
|     |           |      |        |
|     |           |      |        |



Isometric View



Tél: (450) 979-4373  
 Fax: (450) 979-4626  
[www.exmweb.com](http://www.exmweb.com)

Flatness  
Aplatissement  
Max 3.0mm  
Projection

|   |                       |
|---|-----------------------|
| Customer Client                               | Date                  |
| Drawn By / Dessiné Par: BoxCad: BoxCad        | Date: 06-May-14       |
| Material / Matière: 12 Ga H.R.P. & O. (2.5mm) |                       |
| Color / Couleur: Asa-61 Grey                  | Finish / Fini: Smooth |
| Description: 5412ESHD 20" x 20" x 8" Body     | Detail Rev.           |

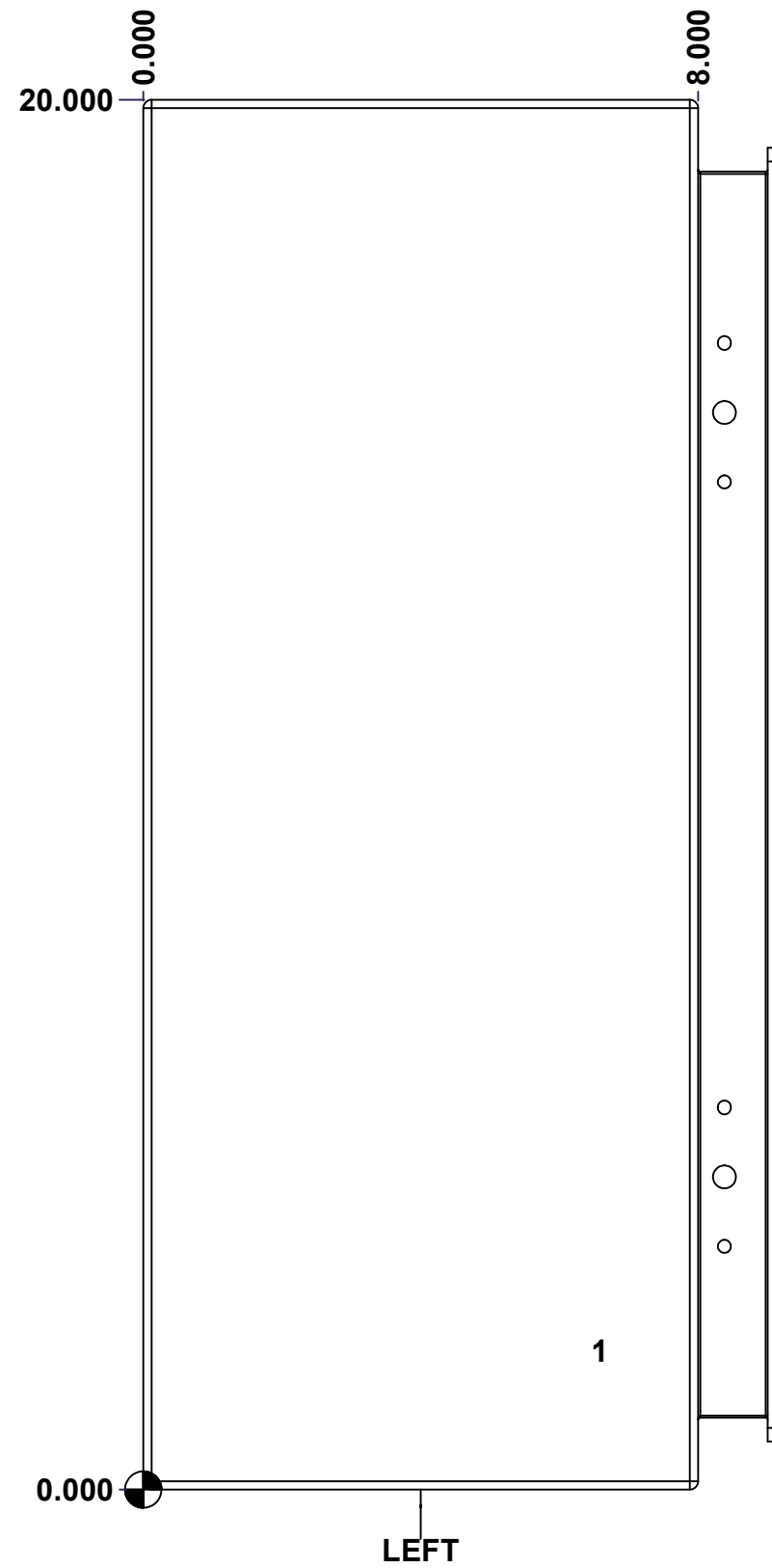
|  |        |       |
|--|--------|-------|
| Part Number / Numéro Pièce: <b>5412ESHD202008B</b> | Rev. 0 | 1 / 7 |
|--|--------|-------|

SEE BILL OF MATERIAL ON LAST PAGE

This drawing is confidential and must not be reproduced or used without the consent of EXM

Ce dessin est confidentiel et ne doit pas être reproduit ou utilisé sans le consentement de EXM

| <b>STANDARD FEATURES ARE NOT LISTED IN THIS HOLE TABLE</b> |       |       |                             |
|--|-------|-------|-----------------------------|
| <b>HOLE TABLE - LEFT VIEW (CUSTOM FEATURE ONLY)</b>        |       |       |                             |
| CUT-OUT  | XDIM  | YDIM  | DESCRIPTION                 |
| 1  | 6.500 | 2.000 | GND STUD M6 x 16mm (Inside) |



|  |                              |          |        |
|--|------------------------------|----------|--------|
|  | Description                  | Status   |        |
|  | 5412ESHD 20" x 20" x 8" Body |          |        |
|  | Part Number<br>Numéro Pièce  | Rev.     | 5<br>7 |
|  | <b>5412ESHD202008B</b>       | <b>0</b> |        |

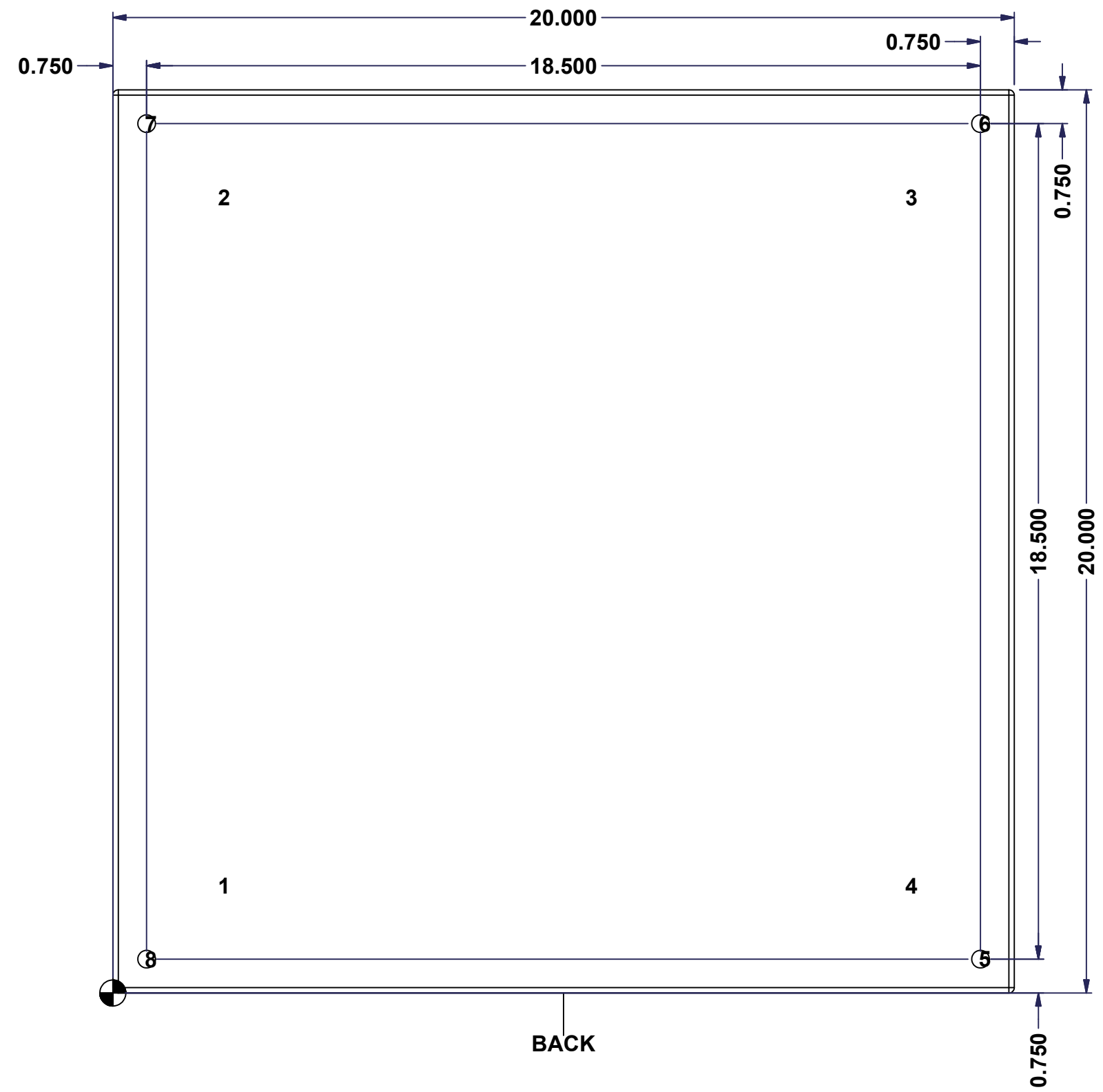
This drawing is confidential and must not be reproduced or used without the consent of EXM

Ce dessin est confidentiel et ne doit pas être reproduit ou utilisé sans le consentement de EXM

**STANDARD FEATURES ARE NOT LISTED IN THIS HOLE TABLE**

**HOLE TABLE - BACK VIEW (CUSTOM FEATURE ONLY)**

| CUT-OUT | XDIM   | YDIM   | DESCRIPTION                |
|---------|--------|--------|----------------------------|
| 1       | 2.375  | 2.375  | IP STUD M8 x 35mm (Inside) |
| 2       | 2.375  | 17.625 | IP STUD M8 x 35mm (Inside) |
| 3       | 17.625 | 17.625 | IP STUD M8 x 35mm (Inside) |
| 4       | 17.625 | 2.375  | IP STUD M8 x 35mm (Inside) |
| -----   |        |        |                            |
| 5       | 19.250 | 0.750  | RND Ø0.390                 |
| 6       | 19.250 | 19.250 | RND Ø0.390                 |
| 7       | 0.750  | 19.250 | RND Ø0.390                 |
| 8       | 0.750  | 0.750  | RND Ø0.390                 |

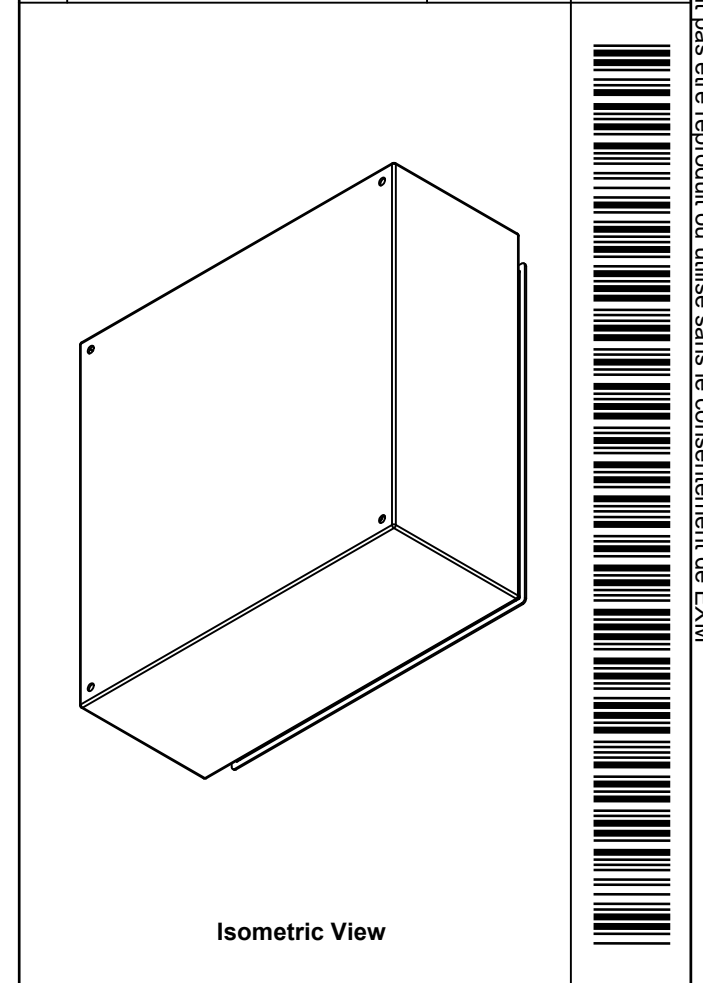



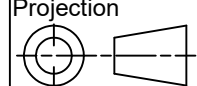
|  |                              |          |
|--|------------------------------|----------|
|  | Description                  | Status   |
|  | 5412ESHD 20" x 20" x 8" Body |          |
|  | Part Number<br>Numéro Pièce  | Rev.     |
|  | <b>5412ESHD202008B</b>       | <b>0</b> |
|  |                              | 6        |
|  |                              | 7        |

This drawing is confidential and must not be reproduced or used without the consent of EXM

Ce dessin est confidentiel et ne doit pas être reproduit ou utilisé sans le consentement de EXM

| No. | Revisions | Date | By/Par |
|-----|-----------|------|--------|
|     |           |      |        |
|     |           |      |        |
|     |           |      |        |
|     |           |      |        |
|     |           |      |        |

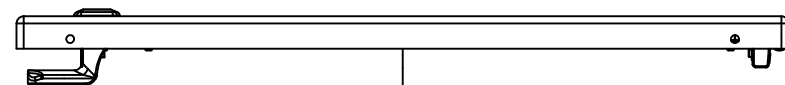


|  |                           |   |
|--|---------------------------|---|
|  Tél: (450) 979-4373<br>Fax: (450) 979-4626<br><a href="http://www.exmweb.com">www.exmweb.com</a> |                           | Flatness<br>Aplatissement<br>Max 3.0mm<br>Projection<br> |
| Customer Client  | Date                      |   |
| Drawn By<br>Dessiné Par  | BoxCad: BoxCad            | Date 06-May-14  |
| Material<br>Matière  | 12 Ga H.R.P. & O. (2.5mm) |   |
| Color<br>Couleur   | Asa-61 Grey               | Finish<br>Fini Smooth   |
| Description  |                           | Detail Rev.   |
| 5412ESHD 20" x 20" x 8" Body   |                           |   |
| Part Number<br>Numéro Pièce  | Rev.                      | 7   |
| <b>5412ESHD202008B</b>   | <b>0</b>                  | 7   |

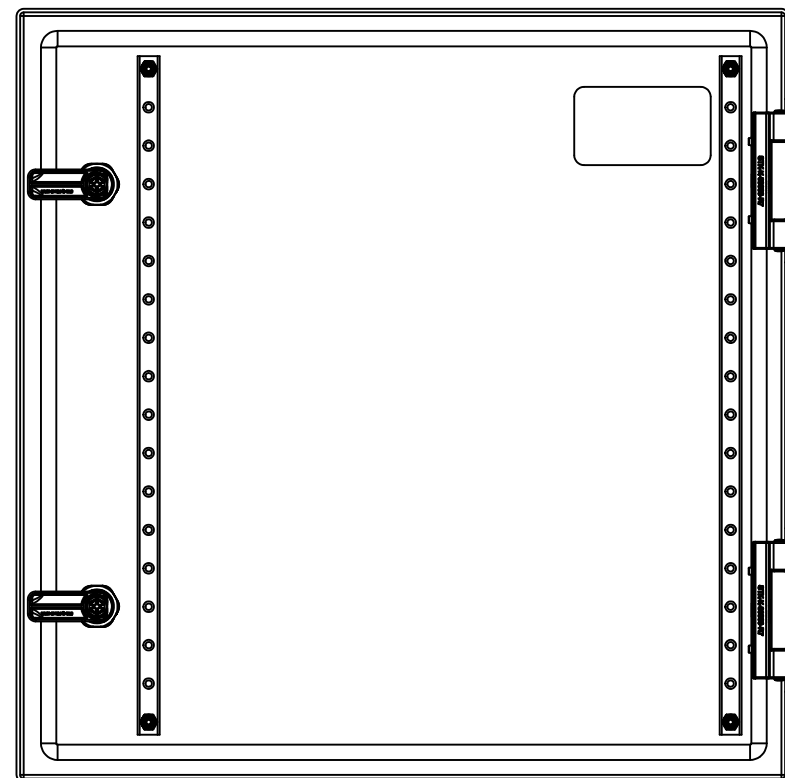
| Qty        | Part Number       | Rev | Description                          |
|------------|-------------------|-----|--------------------------------------|
| 1          | STK-Q-16080       | 0   | Ground Stud M6 x 16mm                |
| 1          | STK-P-02400S      | 0   | Powder Paint (Asa-61 Grey / Smooth)  |
| 4          | STK-Q-16005       | 1   | Stud M8 x 35 (No Paint Cap Required) |
| 1          | 5412ESHD202008B-P | 0   | 5412ESHD 20" x 20" x 8" Body Part    |
| Parts List |                   |     |                                      |

This drawing is confidential and must not be reproduced or used without the consent of EXM

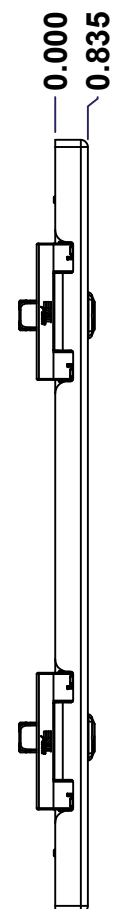
Ce dessin est confidentiel et ne doit pas être reproduit ou utilisé sans le consentement de EXM



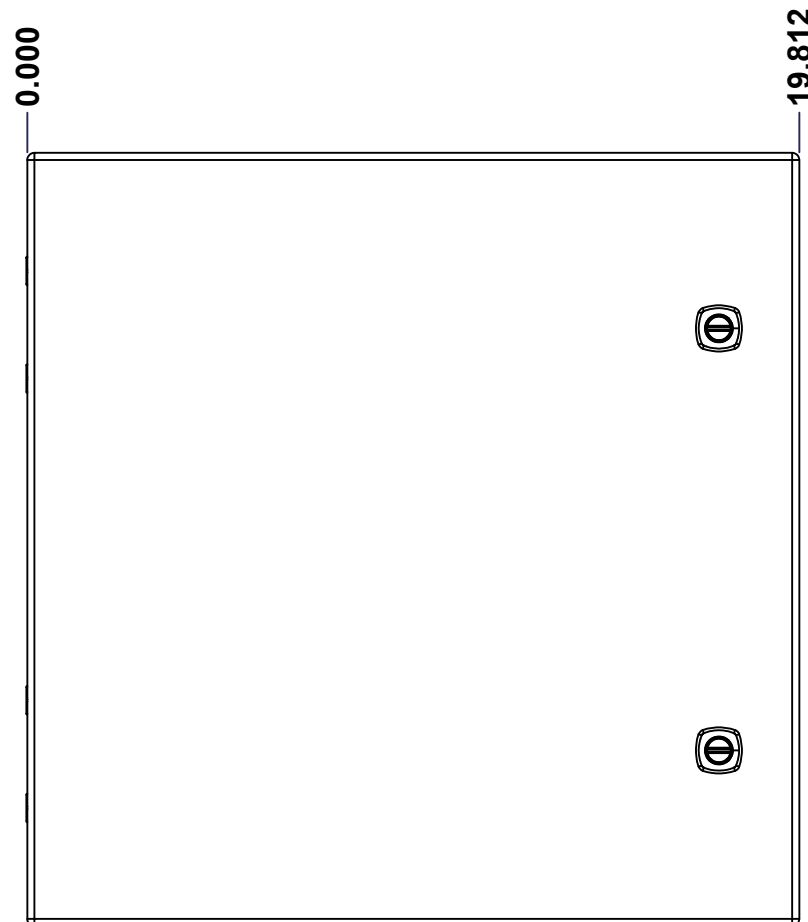
TOP



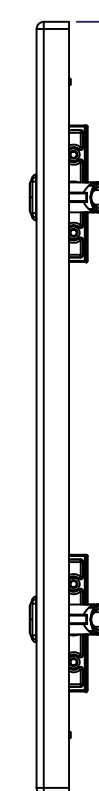
BACK



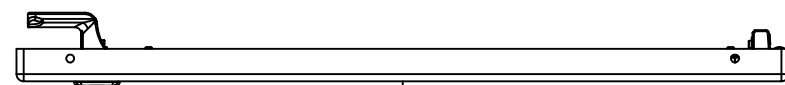
LEFT



FRONT



RIGHT



BOTTOM

0.000  
0.835

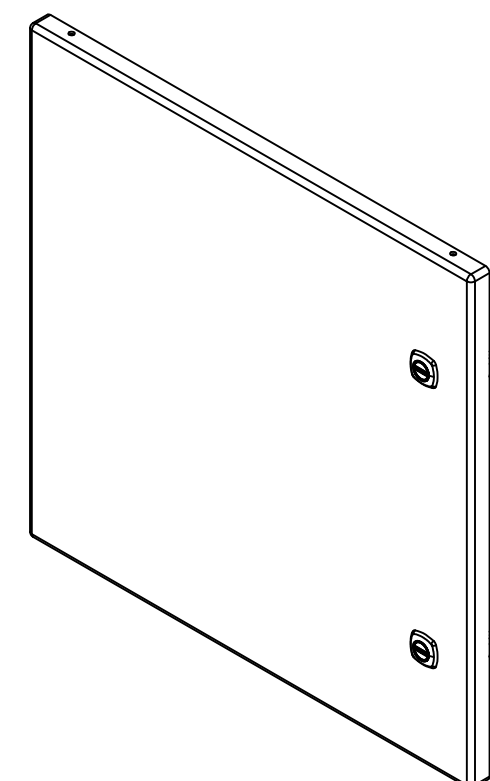
0.000

19.812

19.803


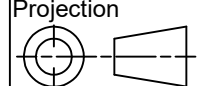
0.000

| No. | Revisions | Date | By/Par |
|-----|-----------|------|--------|
|     |           |      |        |
|     |           |      |        |
|     |           |      |        |
|     |           |      |        |



Isometric View



|  |                           |   |
|--|---------------------------|---|
|  Tél: (450) 979-4373<br>Fax: (450) 979-4626<br><a href="http://www.exmweb.com">www.exmweb.com</a> |                           | Flatness<br>Aplatissement<br>Max 3.0mm<br>Projection<br> |
| Customer<br>Client   | Date                      |   |
| Drawn By<br>Dessiné Par  | BoxCad: BoxCad            | Date 06-May-14  |
| Material<br>Matière  | 12 Ga H.R.P. & O. (2.5mm) |   |
| Color<br>Couleur   | Asa-61 Grey               | Finish<br>Fini Smooth   |
| Description  |                           | Detail Rev.   |
| 5412ESHD 20" x 20" Cover   |                           |   |
| Part Number<br>Numéro Pièce  | Rev.                      | 1<br>3  |
| 5412ESHD202008C  |                           | 0   |

SEE BILL OF MATERIAL ON LAST PAGE

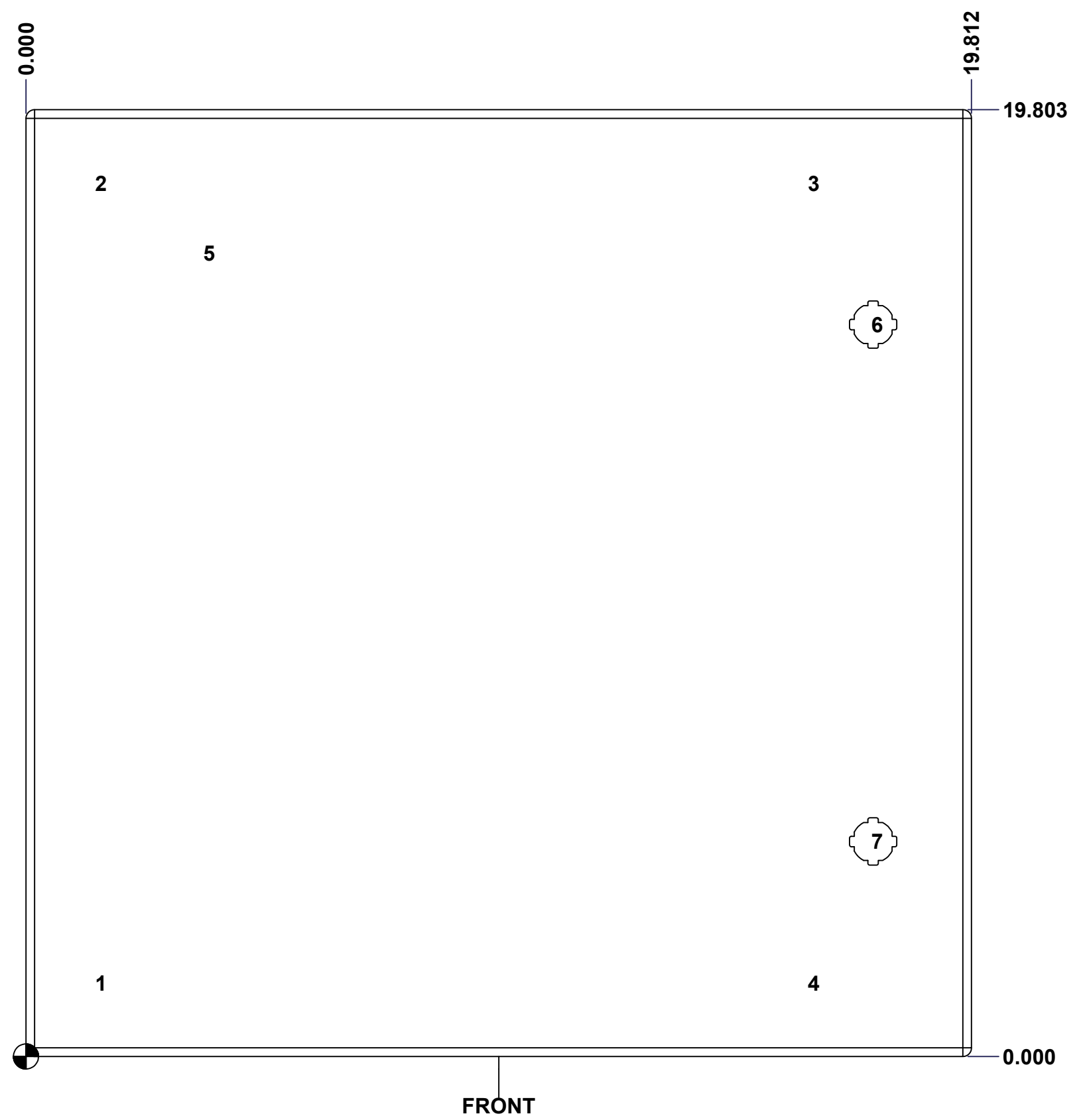
This drawing is confidential and must not be reproduced or used without the consent of EXM

Ce dessin est confidentiel et ne doit pas être reproduit ou utilisé sans le consentement de EXM

**STANDARD FEATURES ARE NOT LISTED IN THIS HOLE TABLE**

**HOLE TABLE - FRONT VIEW (CUSTOM FEATURE ONLY)**

| CUT-OUT | XDIM   | YDIM   | DESCRIPTION             |
|---------|--------|--------|-------------------------|
| 1       | 1.486  | 1.535  | STUD M6 x 18mm (Inside) |
| 2       | 1.486  | 18.268 | STUD M6 x 18mm (Inside) |
| 3       | 16.423 | 18.268 | STUD M6 x 18mm (Inside) |
| 4       | 16.423 | 1.535  | STUD M6 x 18mm (Inside) |
| -----   |        |        |                         |
| 5       | 3.750  | 16.803 | LABEL_EXM (Inside)      |
| 6       | 17.750 | 15.308 | LOCK 889 SCQ4-SL @ 0.0° |
| 7       | 17.750 | 4.496  | LOCK 889 SCQ4-SL @ 0.0° |



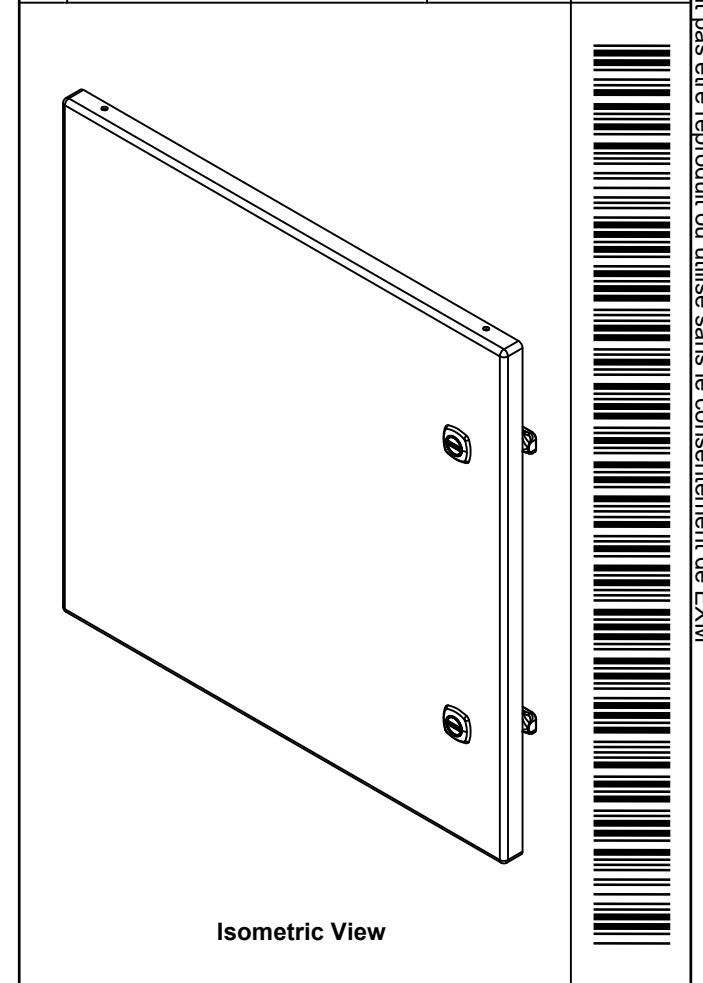
|  |                             |          |        |
|--|-----------------------------|----------|--------|
|  | Description                 | Status   |        |
|  | 5412ESHD 20" x 20" Cover    | (NULL)   |        |
|  | Part Number<br>Numéro Pièce | Rev.     |        |
|  | <b>5412ESHD202008C</b>      | <b>0</b> | 2<br>3 |



This drawing is confidential and must not be reproduced or used without the consent of EXM

Ce dessin est confidentiel et ne doit pas être reproduit ou utilisé sans le consentement de EXM

| No. | Revisions | Date | By/Par |
|-----|-----------|------|--------|
|     |           |      |        |
|     |           |      |        |
|     |           |      |        |
|     |           |      |        |
|     |           |      |        |



**EXM**  
www.exm.com

Tél: (450) 979-4373  
Fax: (450) 979-4626  
[www.exmweb.com](http://www.exmweb.com)

Flatness  
Aplatissement  
Max 3.0mm

Projection

Customer Client \_\_\_\_\_ Date \_\_\_\_\_  
 Drawn By Dessiné Par BoxCad: BoxCad Date 06-May-14

Material Matière 12 Ga H.R.P. & O. (2.5mm)

Color Couleur Asa-61 Grey Finish Fini Smooth

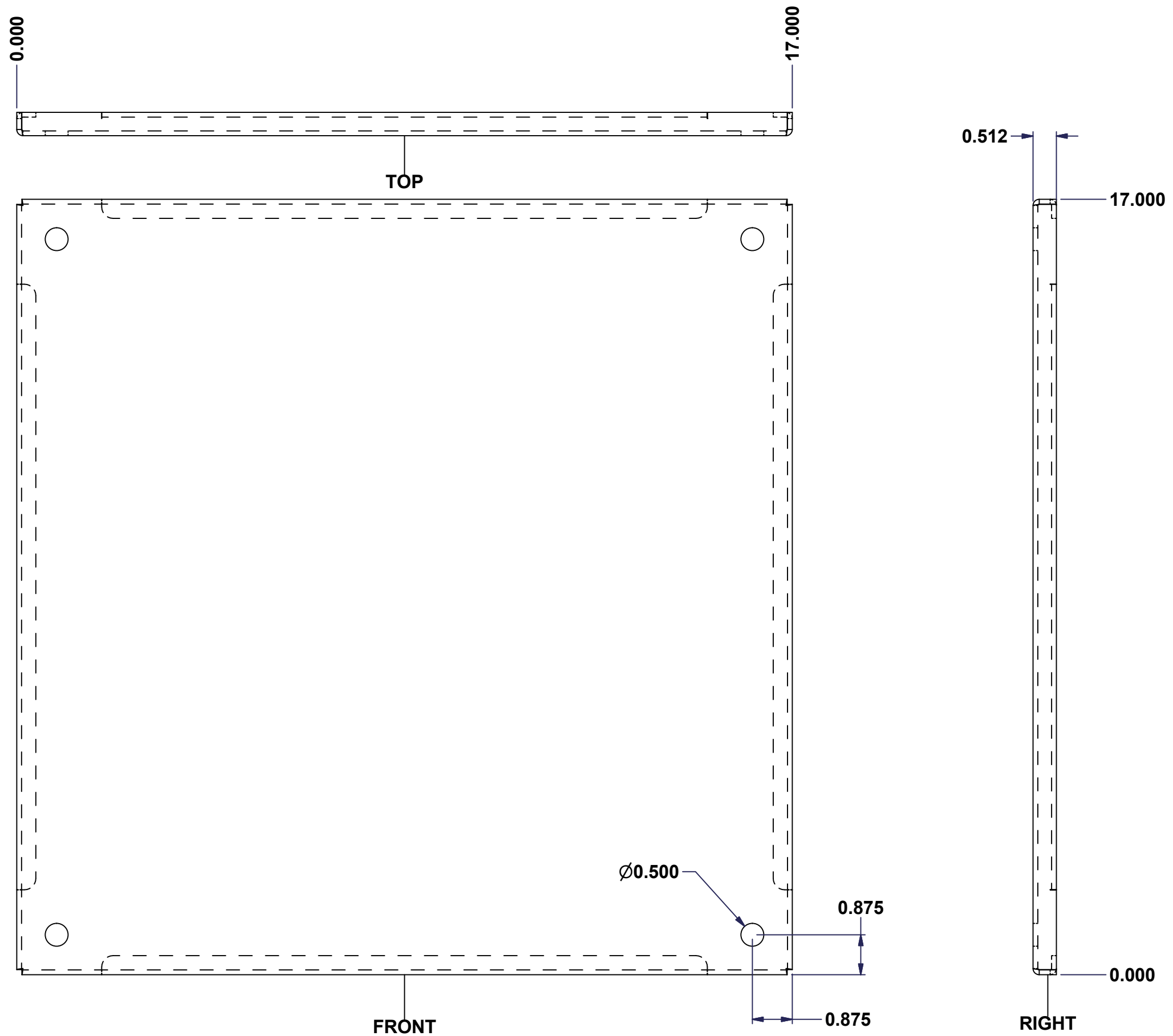
Description 5412ESHD 20" x 20" Cover Detail Rev. \_\_\_\_\_

Part Number Numéro Pièce **5412ESHD202008C** Rev. **0** 3

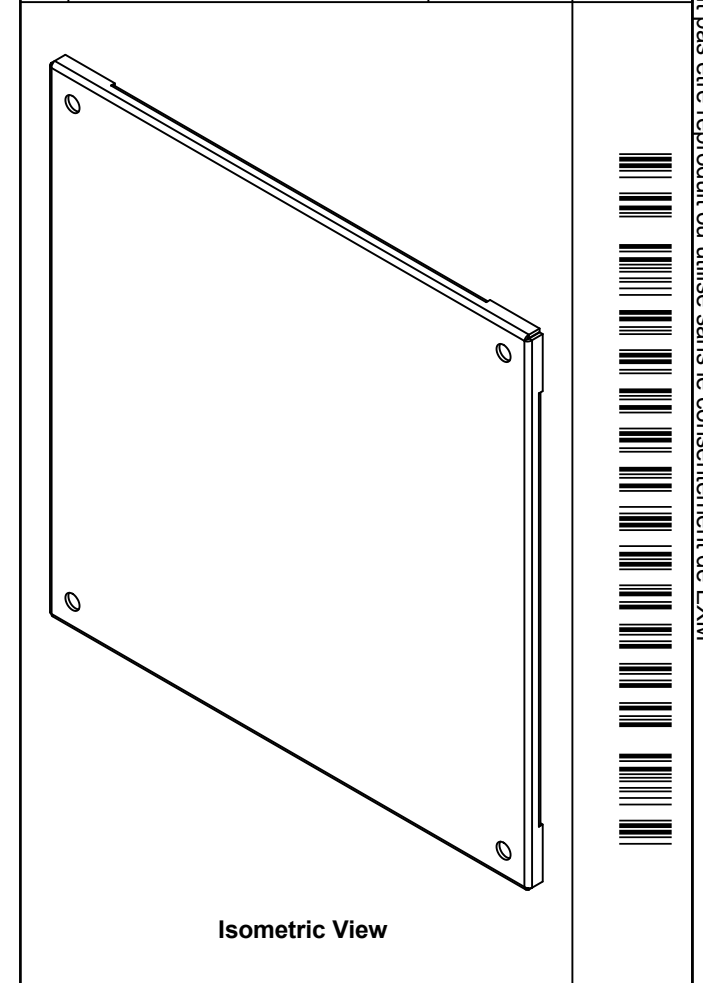
| Qty        | Part Name         | Rev | Description                            |
|------------|-------------------|-----|--|
| 1          | STK-S-00100       | 0   | 3.5" x 2" Silver Milar Flexcon Sticker |
| 1          | STK-P-02400S      | 0   | Powder Paint (Asa-61 Grey / Smooth)    |
| 2          | STK-Q-46020-20    | 5   | 5412 ES Vertical Door Stiffener 20"    |
| 4          | STK-Q-16055       | 1   | M6 x 18mm Stud (No Paint Cap Required) |
| 1          | 5412ESHD202008G   | 0   | 5412ESHD 20" x 20" Door Gasket         |
| 1          | 5412ESHD202008C-P | 0   | 5412ESHD 20" x 20" Cover Part          |
| 2          | STK-K-09860       | 7   | Cabinet Hinge with Captive Pins        |
| 2          | STK-K-12580       | 0   | 9412 1/4 Turn Lock                     |
| 4          | STK-Q-07220       | 1   | M6 Nylon Insert Lock Nut               |
| Parts List |                   |     |  |


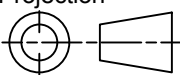
This drawing is confidential and must not be reproduced or used without the consent of EXM

Ce dessin est confidentiel et ne doit pas être reproduit ou utilisé sans le consentement de EXM



| No. | Revisions | Date | By/Par |
|-----|-----------|------|--------|
|     |           |      |        |
|     |           |      |        |
|     |           |      |        |
|     |           |      |        |
|     |           |      |        |



|  |   |
|--|---|
|  Tél: (450) 979-4373<br>Fax: (450) 979-4626<br><a href="http://www.exmweb.com">www.exmweb.com</a> | Flatness<br>Aplatissement<br>Max 3.0mm  |
|  | Projection<br> |
| Customer Client  | Date  |
| Drawn By / Dessiné Par: BoxCad: nickz  | Date: 01/03/2017  |
| Material / Matière: 12 Ga Galvanized (2.5mm)   |   |
| Color / Couleur: See Part List   | Finish / Fini: See Part List  |
| Description: 885SP 20" x 20" Inner Panel Part  |   |
| Detail Rev.  |   |
| Part Number / Numéro Pièce: <b>885SP2020G</b>  | Rev. 0  |

| Qty | Part Number  | Rev | Description                      | Material                 | Color     | Finish     |
|-----|--------------|-----|----------------------------------|--------------------------|-----------|------------|
| 1   | 885SP2020G-P | 0   | 885SP 20" x 20" Inner Panel Part | 12 Ga Galvanized (2.5mm) | Unpainted | Galvanized |

Parts List