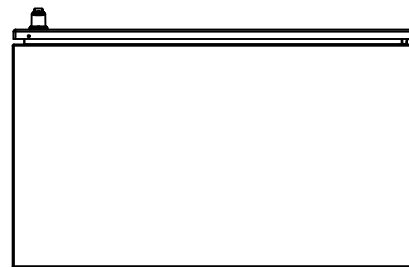
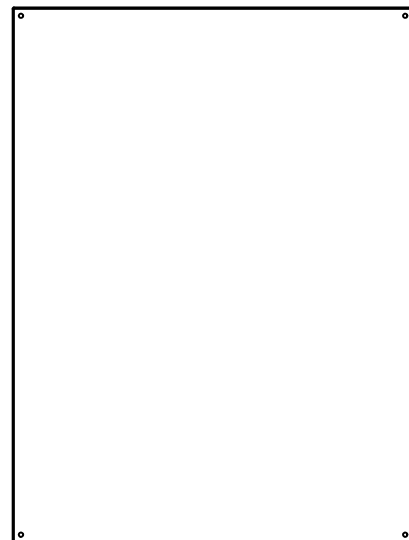


This drawing is confidential and must not be reproduced or used without the consent of EXM

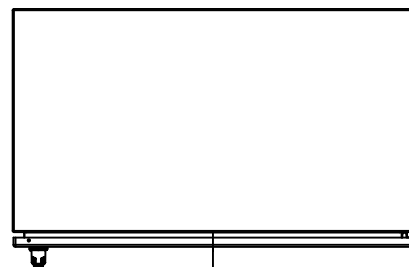
Ce dessin est confidentiel et ne doit pas être reproduit ou utilisé sans le consentement de EXM



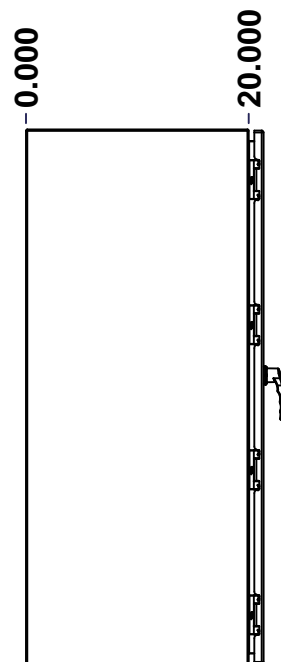
TOP



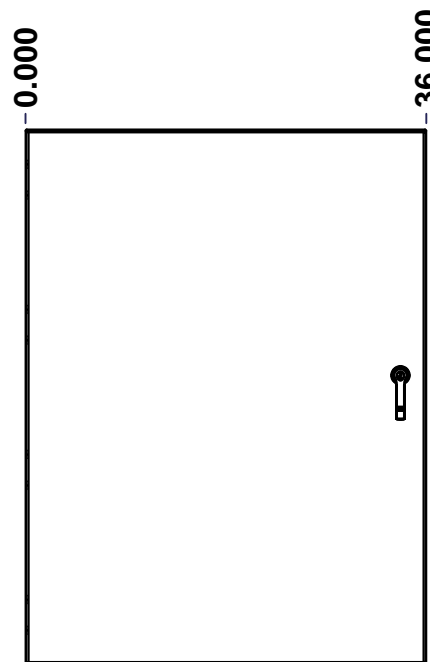
BACK



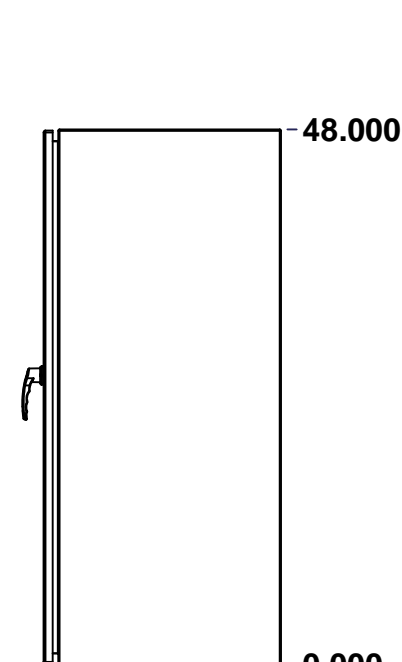
BOTTOM



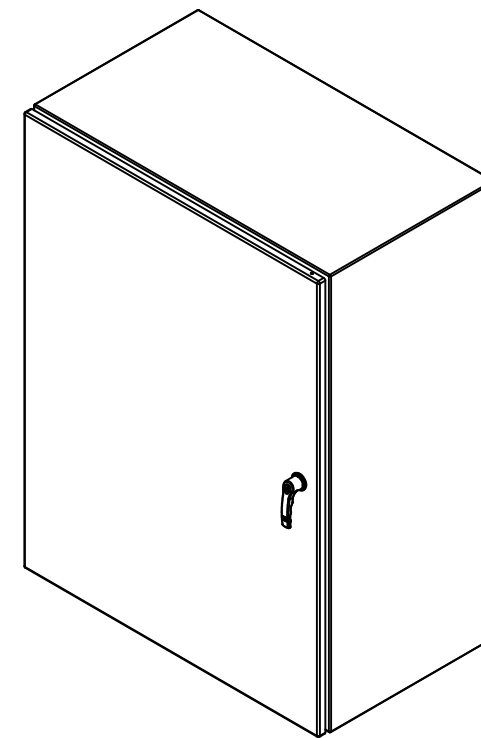
LEFT



FRONT




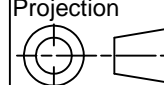
RIGHT



Isometric View



| No. | Revisions | Date | By/Par |
|-----|-----------|------|--------|
|     |           |      |        |
|     |           |      |        |
|     |           |      |        |
|     |           |      |        |
|     |           |      |        |

|  |                           |   |
|--|---------------------------|---|
|  Tél: (450) 979-4373<br>Fax: (450) 979-4626<br><a href="http://www.exmweb.com">www.exmweb.com</a> |                           | Flatness<br>Aplatissement<br>Max 3.0mm<br>Projection<br> |
| Customer<br>Client   | Date                      |   |
| Drawn By<br>Dessiné Par  | BoxCad: BoxCad            | Date 24-Apr-14  |
| Material<br>Matière  | 12 Ga H.R.P. & O. (2.5mm) |   |
| Color<br>Couleur   | Asa-61 Grey               | Finish<br>Fini Smooth   |
| Description  | Detail Rev.               |   |
| 5412ESHD 48" x 36" x 20" Assembly  |                           |   |
| Part Number<br>Numéro Pièce  | Rev.                      | 1   |
| 5412ESHD483620   | 0                         | 2   |

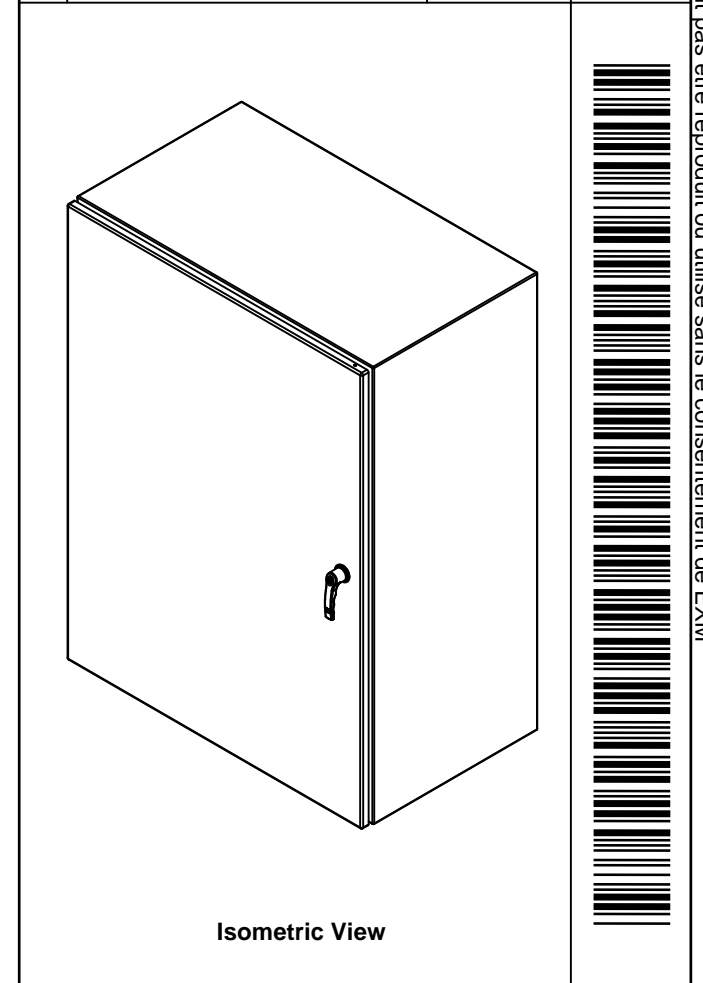
SEE BILL OF MATERIAL ON LAST PAGE

This drawing is confidential and must not be reproduced or used without the consent of EXM

Ce dessin est confidentiel et ne doit pas être reproduit ou utilisé sans le consentement de EXM

| NOTE |  |
|------|--|
| ITEM | DESCRIPTION                                |
| 1    | NEMA 4/12 Enclosure                        |
| 2    | C/W Standard ground studs on box and cover |
| 3    | C/W Standard door stiffener                |
| 4    | C/W Standard inner panel (Included)        |
| 5    | C/W Standard inner panel mounting studs    |

| No. | Revisions | Date | By/Par |
|-----|-----------|------|--------|
|     |           |      |        |
|     |           |      |        |
|     |           |      |        |
|     |           |      |        |
|     |           |      |        |



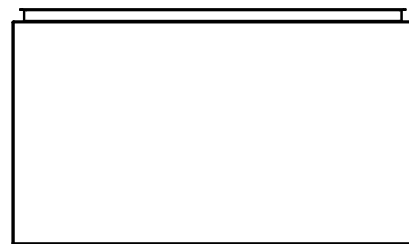
| PACKING               |     |  |
|-----------------------|-----|--|
| ITEM                  | QTY | DESCRIPTION                                    |
| Cardboard sleeve      | 2   | Top and Bottom                                 |
| Cardboard strip       | 2   | Between back of enclosure and inner panel      |
| Plastic bag           | 1   | To protect cover surface and inside gasket     |
| Cardboard corner      | 4   | To reinforced for the plastic strap tightening |
| Plastic strap - Black | 2   | To Squeeze the 2 cardboard sleeve together     |
| Packaging label       | 3   | White label with PN                            |
| Plastic strap- Green  | 2   | To secure the enclosure to the wood pallet     |
| Wood Pallet           | 1   | 2" deeper and 3" larger than enclosure size    |

|            |                 |     |   |
|------------|-----------------|-----|---|
| 1          | 880 PP          | 6   | Self Adhesive Print Pocket                              |
| 1          | STK-K-01800     | 5   | 5412 ES Accessory Kit                                   |
| 1          | 885SP4836G      | 0   | 885SP 48" x 36" Inner Panel Part                        |
| 1          | 5412ESHD483620C | 0   | 5412ESHD 48" x 36" Cover                                |
| 8          | STK-Q-07310     | 2   | Flange Lock Nut M8                                      |
| 8          | STK-Q-07610     | 8   | M8 Plastic Spacer 22.2mm                                |
| 1          | 5412ESHD483620B | 0   | 5412ESHD 48" x 36" x 20" Body                           |
| 4          | STK-Q-04050-10  | 8   | M6 x 10mm Hexagon Socket Head Machine Screw with Nyseal |
| Qty        | Part Number     | Rev | Description   |
| Parts List |                 |     |   |

|                                   |  |  |  |  |  |
|-----------------------------------|--|--|--|--|--|
|                                   |  | Tél: (450) 979-4373<br>Fax: (450) 979-4626<br><a href="http://www.exmweb.com">www.exmweb.com</a> |  | Flatness<br>Aplatissement<br>Max 3.0mm<br>Projection<br> |  |
| Customer Client                   |  | Date   |  | Date 24-Apr-14   |  |
| Drawn By<br>Dessiné Par           |  | BoxCad: BoxCad   |  | Date   |  |
| Material<br>Matière               |  | 12 Ga H.R.P. & O. (2.5mm)  |  |  |  |
| Color<br>Couleur                  |  | Asa-61 Grey  |  | Finish<br>Fini Smooth                                    |  |
| Description                       |  |  |  | Detail Rev.  |  |
| 5412ESHD 48" x 36" x 20" Assembly |  |  |  |  |  |
| Part Number<br>Numéro Pièce       |  |  |  | Rev. 2   |  |
| <b>5412ESHD483620</b>             |  |  |  | <b>0</b>   |  |

This drawing is confidential and must not be reproduced or used without the consent of EXM

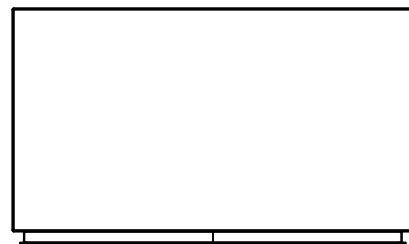
Ce dessin est confidentiel et ne doit pas être reproduit ou utilisé sans le consentement de EXM



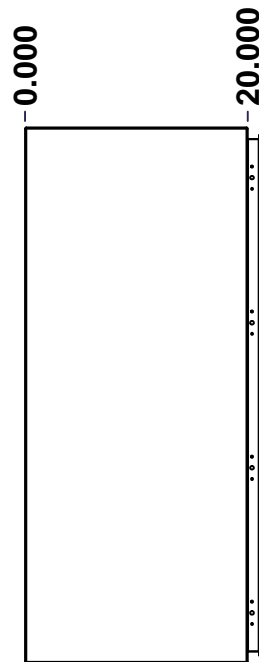
TOP



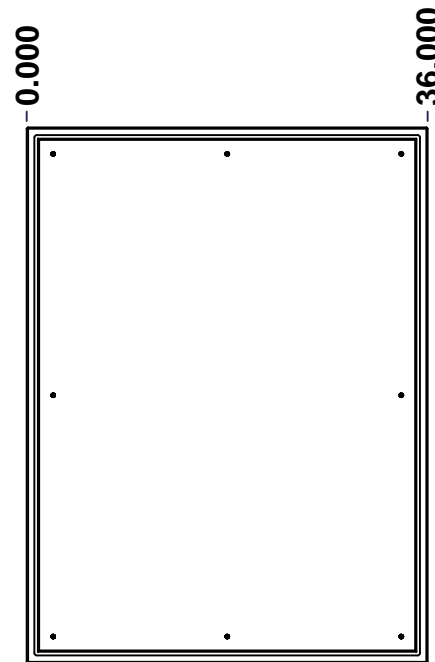
BACK



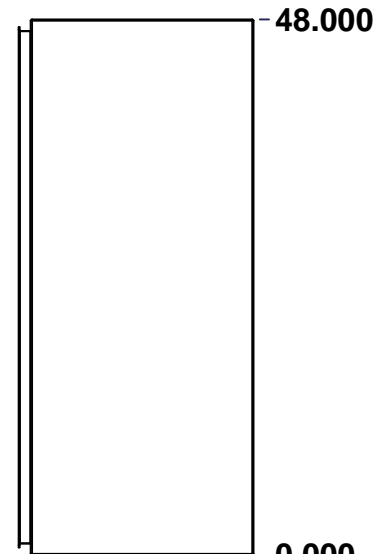
BOTTOM



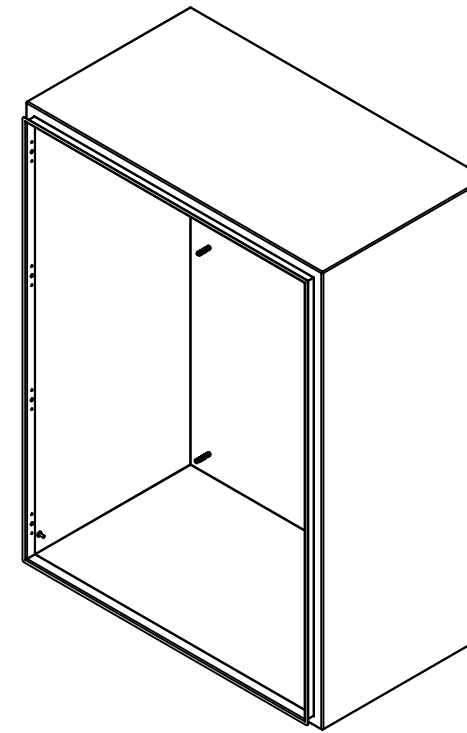
LEFT



FRONT




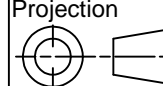
RIGHT



Isometric View



| No. | Revisions | Date | By/Par |
|-----|-----------|------|--------|
|     |           |      |        |
|     |           |      |        |
|     |           |      |        |
|     |           |      |        |
|     |           |      |        |

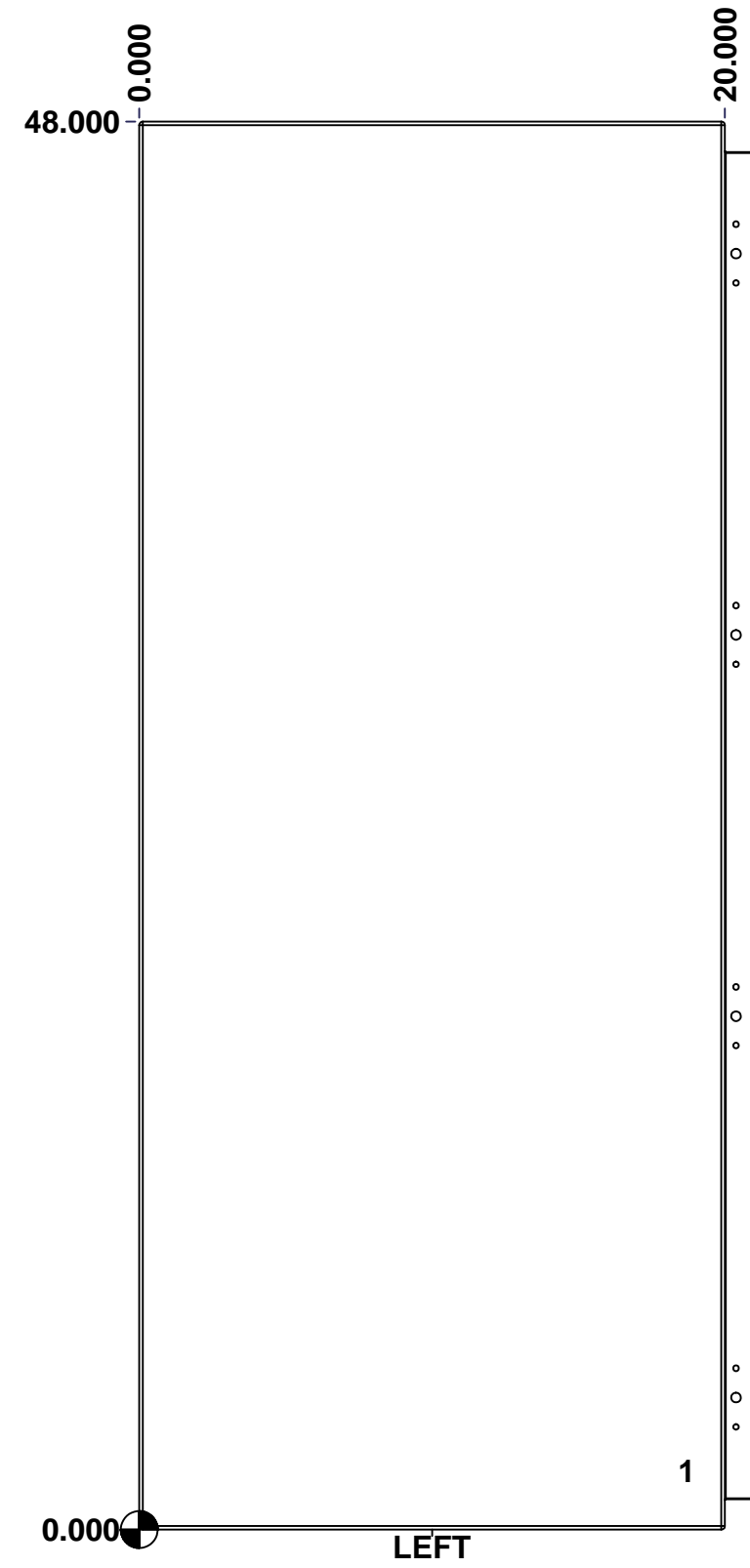
|  |                           |   |
|--|---------------------------|---|
|  Tél: (450) 979-4373<br>Fax: (450) 979-4626<br><a href="http://www.exmweb.com">www.exmweb.com</a> |                           | Flatness<br>Aplatissement<br>Max 3.0mm<br>Projection<br> |
| Customer<br>Client   | Date                      |   |
| Drawn By<br>Dessiné Par  | BoxCad: BoxCad            | Date 24-Apr-14  |
| Material<br>Matière  | 12 Ga H.R.P. & O. (2.5mm) |   |
| Color<br>Couleur   | Asa-61 Grey               | Finish<br>Fini Smooth   |
| Description  | Detail Rev.               |   |
| 5412ESHD 48" x 36" x 20" Body  |                           |   |
| Part Number<br>Numéro Pièce  | Rev.                      | 1<br>7  |
| <b>5412ESHD483620B</b>   | <b>0</b>                  |   |

SEE BILL OF MATERIAL ON LAST PAGE

This drawing is confidential and must not be reproduced or used without the consent of EXM

Ce dessin est confidentiel et ne doit pas être reproduit ou utilisé sans le consentement de EXM

| <b>STANDARD FEATURES ARE NOT LISTED IN THIS HOLE TABLE</b> |        |       |                             |
|--|--------|-------|-----------------------------|
| <b>HOLE TABLE - LEFT VIEW (CUSTOM FEATURE ONLY)</b>        |        |       |                             |
| CUT-OUT  | XDIM   | YDIM  | DESCRIPTION                 |
| 1  | 18.500 | 2.000 | GND STUD M6 x 16mm (Inside) |



|  |                               |          |       |
|--|-------------------------------|----------|-------|
|  | Description                   | Status   |       |
|  | 5412ESHD 48" x 36" x 20" Body |          |       |
|  | Part Number<br>Numéro Pièce   | Rev.     | 5 / 7 |
|  | <b>5412ESHD483620B</b>        | <b>0</b> |       |

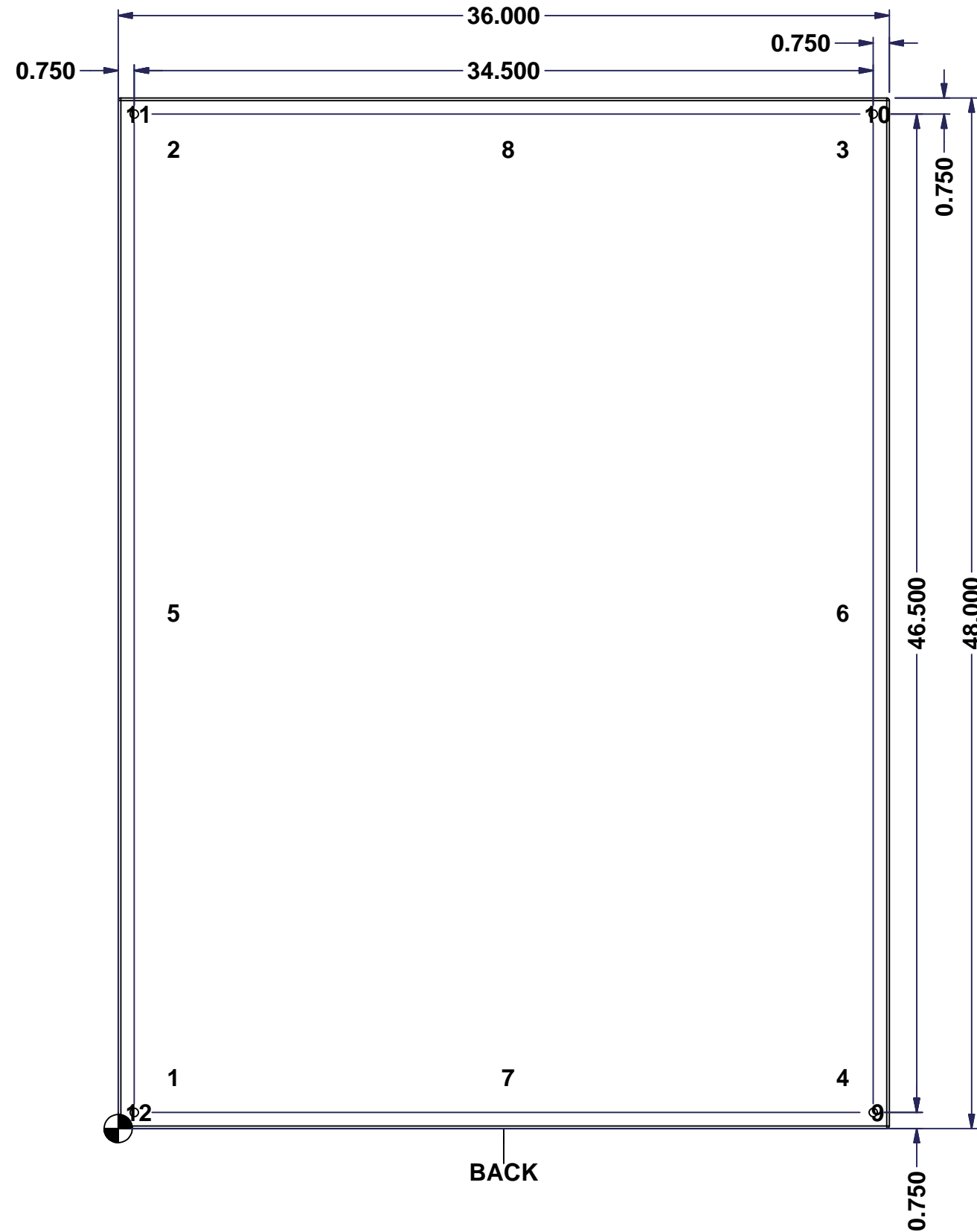
This drawing is confidential and must not be reproduced or used without the consent of EXM

Ce dessin est confidentiel et ne doit pas être reproduit ou utilisé sans le consentement de EXM

**STANDARD FEATURES ARE NOT LISTED IN THIS HOLE TABLE**

**HOLE TABLE - BACK VIEW (CUSTOM FEATURE ONLY)**

| CUT-OUT | XDIM   | YDIM   | DESCRIPTION                |
|---------|--------|--------|----------------------------|
| 1       | 2.375  | 2.375  | IP STUD M8 x 35mm (Inside) |
| 2       | 2.375  | 45.625 | IP STUD M8 x 35mm (Inside) |
| 3       | 33.625 | 45.625 | IP STUD M8 x 35mm (Inside) |
| 4       | 33.625 | 2.375  | IP STUD M8 x 35mm (Inside) |
| 5       | 2.375  | 24.000 | IP STUD M8 x 35mm (Inside) |
| 6       | 33.625 | 24.000 | IP STUD M8 x 35mm (Inside) |
| 7       | 18.000 | 2.375  | IP STUD M8 x 35mm (Inside) |
| 8       | 18.000 | 45.625 | IP STUD M8 x 35mm (Inside) |
| -----   |        |        |                            |
| 9       | 35.250 | 0.750  | RND Ø0.390                 |
| 10      | 35.250 | 47.250 | RND Ø0.390                 |
| 11      | 0.750  | 47.250 | RND Ø0.390                 |
| 12      | 0.750  | 0.750  | RND Ø0.390                 |

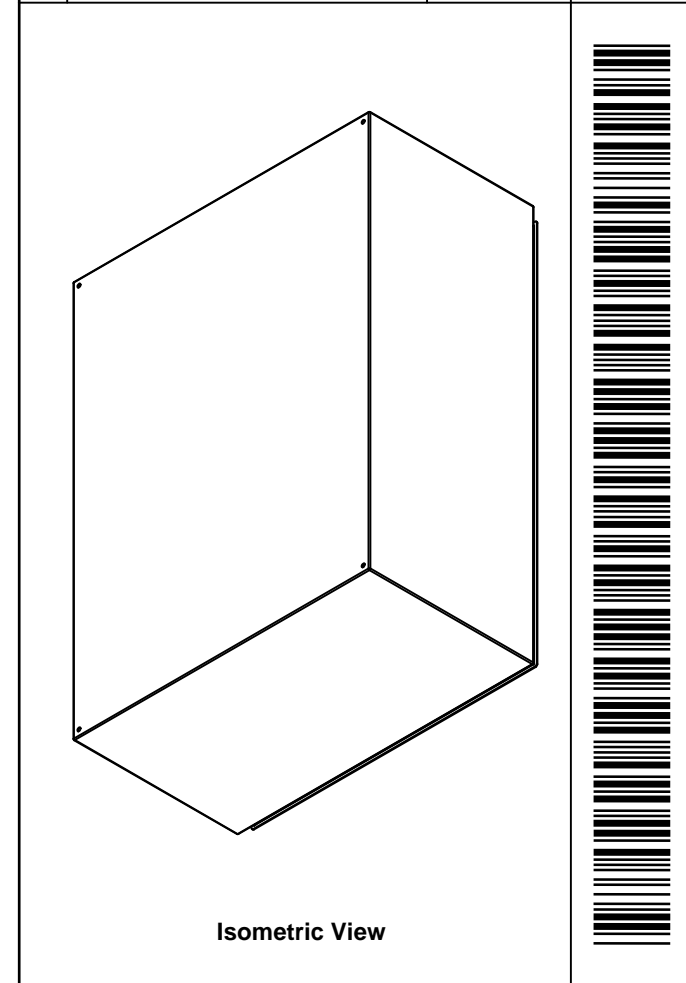



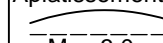
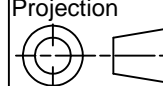
|  |                               |  |          |
|--|-------------------------------|--|----------|
|  | Description                   |  | Status   |
|  | 5412ESHD 48" x 36" x 20" Body |  |          |
|  | Part Number<br>Numéro Pièce   |  | Rev.     |
|  | <b>5412ESHD483620B</b>        |  | <b>0</b> |
|  |                               |  | 6<br>7   |

This drawing is confidential and must not be reproduced or used without the consent of EXM

Ce dessin est confidentiel et ne doit pas être reproduit ou utilisé sans le consentement de EXM

| No. | Revisions | Date | By/Par |
|-----|-----------|------|--------|
|     |           |      |        |
|     |           |      |        |
|     |           |      |        |
|     |           |      |        |
|     |           |      |        |

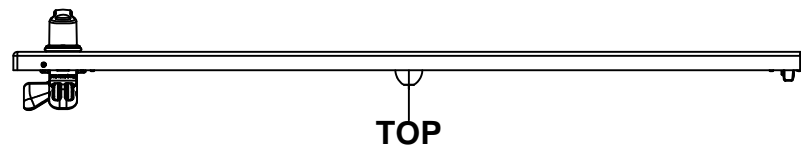


|  |                       |   |
|--|-----------------------|---|
|  Tél: (450) 979-4373<br>Fax: (450) 979-4626<br><a href="http://www.exmweb.com">www.exmweb.com</a> |                       | Flatness<br>Aplatissement<br><br>Max 3.0mm |
| Customer<br>Client   |                       | Projection<br>                             |
| Drawn By<br>Dessiné Par BoxCad: BoxCad   |                       | Date 24-Apr-14  |
| Material<br>Matière 12 Ga H.R.P. & O. (2.5mm)  |                       |   |
| Color<br>Couleur Asa-61 Grey   | Finish<br>Fini Smooth |   |
| Description<br>5412ESHD 48" x 36" x 20" Body   |                       | Detail Rev.   |
| Part Number<br>Numéro Pièce<br><b>5412ESHD483620B</b>  |                       | Rev. 7<br><b>0</b>  |

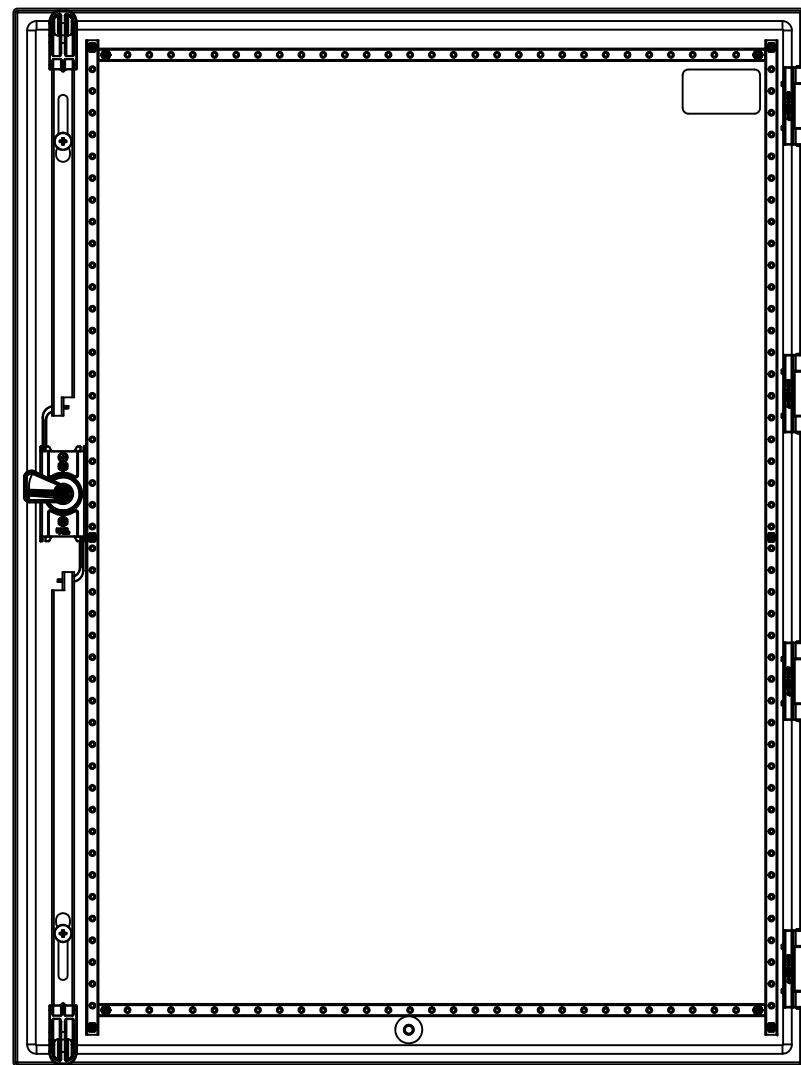
| Qty        | Part Number       | Rev | Description                          |
|------------|-------------------|-----|--------------------------------------|
| 1          | STK-Q-16080       | 0   | Ground Stud M6 x 16mm                |
| 1          | STK-P-02400S      | 0   | Powder Paint (Asa-61 Grey / Smooth)  |
| 8          | STK-Q-16005       | 1   | Stud M8 x 35 (No Paint Cap Required) |
| 1          | 5412ESHD483620B-P | 0   | 5412ESHD 48" x 36" x 20" Body Part   |
| Parts List |                   |     |                                      |

This drawing is confidential and must not be reproduced or used without the consent of EXM

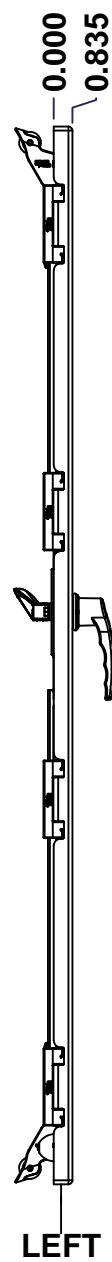
Ce dessin est confidentiel et ne doit pas être reproduit ou utilisé sans le consentement de EXM



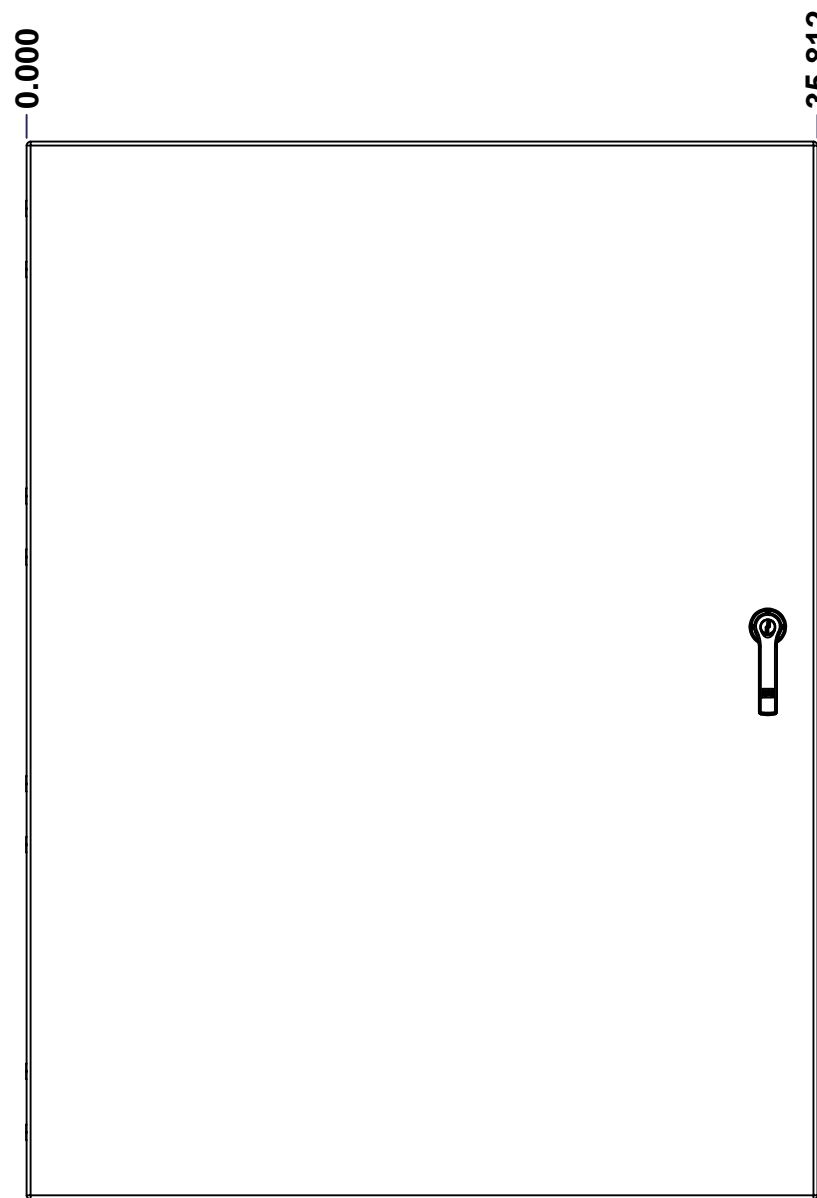
TOP



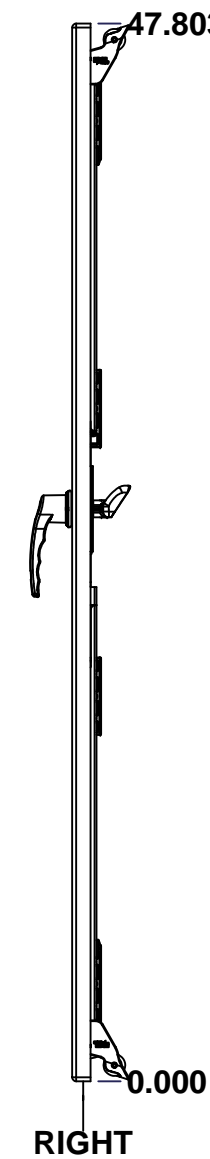
BACK



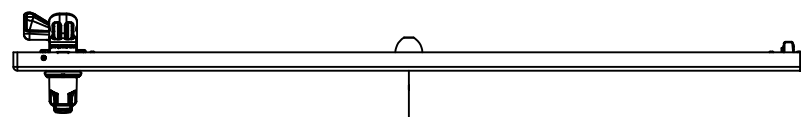
LEFT



FRONT

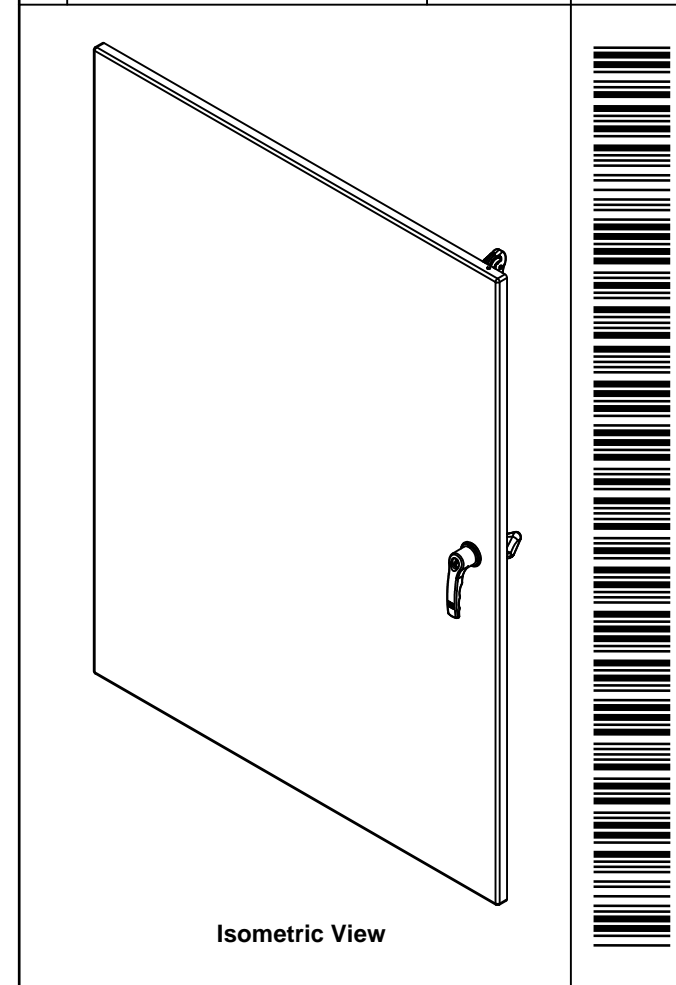



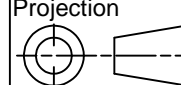
RIGHT



BOTTOM

| No. | Revisions | Date | By/Par |
|-----|-----------|------|--------|
|     |           |      |        |
|     |           |      |        |
|     |           |      |        |
|     |           |      |        |
|     |           |      |        |



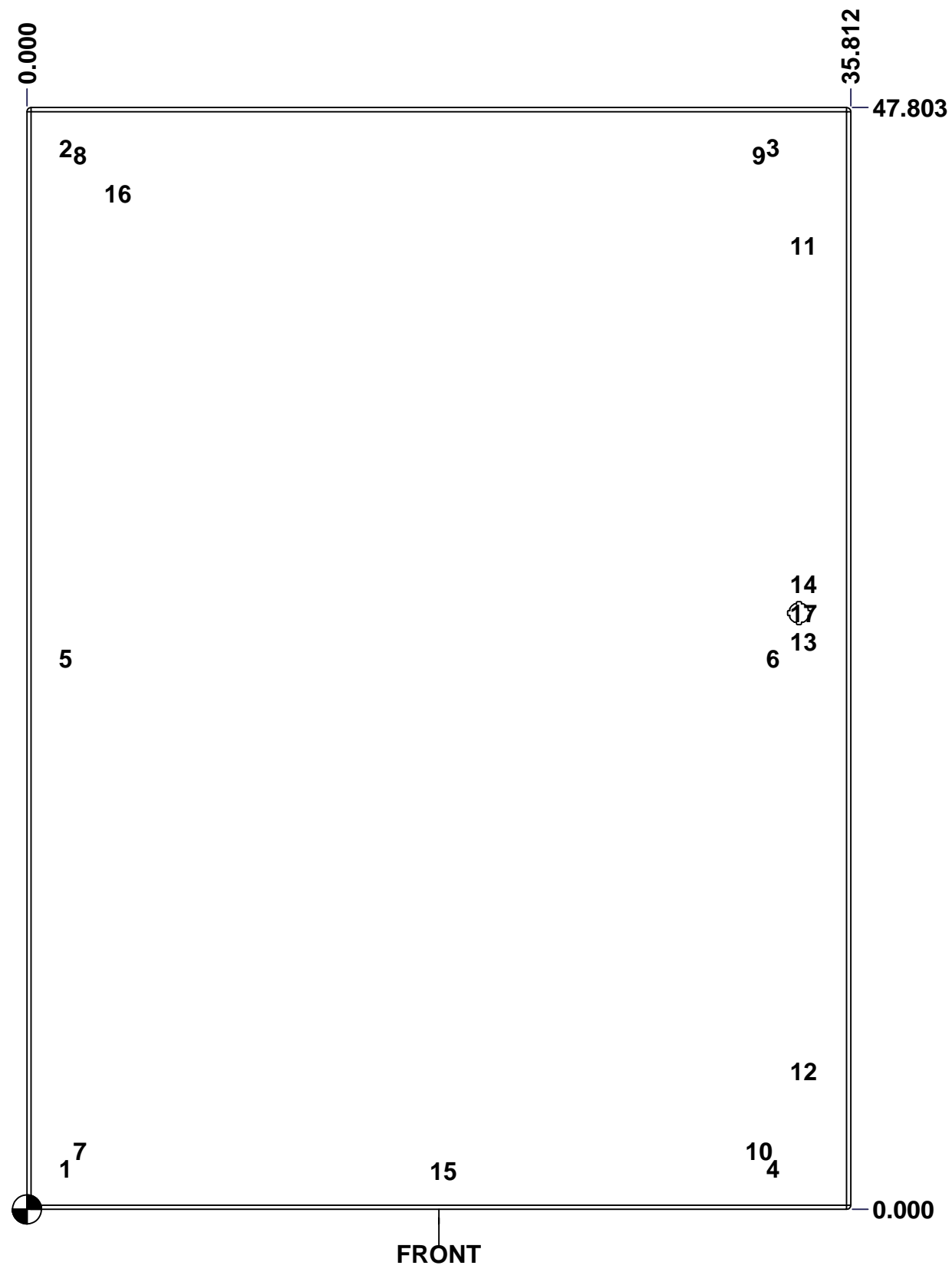
|  |  |   |        |
|--|--|---|--------|
|  Tél: (450) 979-4373<br>Fax: (450) 979-4626<br><a href="http://www.exmweb.com">www.exmweb.com</a> |  | Flatness<br>Aplatissement   |        |
|  |  | Max 3.0mm   |        |
| Customer<br>Client   |  | Date  |        |
| Drawn By<br>Dessiné Par BoxCad: BoxCad   |  | Date 24-Apr-14  |        |
| Material<br>Matière 12 Ga H.R.P. & O. (2.5mm)  |  | Projection  |        |
| Color<br>Couleur Asa-61 Grey   |  |  Finish<br>Fini Smooth |        |
| Description<br>5412ESHD 48" x 36" Cover  |  | Detail Rev.   |        |
| Part Number<br>Numéro Pièce <b>5412ESHD483620C</b>   |  | Rev. <b>0</b>   | 1<br>3 |

SEE BILL OF MATERIAL ON LAST PAGE

This drawing is confidential and must not be reproduced or used without the consent of EXM

Ce dessin est confidentiel et ne doit pas être reproduit ou utilisé sans le consentement de EXM

| STANDARD FEATURES ARE NOT LISTED IN THIS HOLE TABLE |        |        |                         |
|---|--------|--------|-------------------------|
| HOLE TABLE - FRONT VIEW (CUSTOM FEATURE ONLY)       |        |        |                         |
| CUT-OUT   | XDIM   | YDIM   | DESCRIPTION             |
| 1   | 1.486  | 1.756  | STUD M6 x 18mm (Inside) |
| 2   | 1.486  | 46.047 | STUD M6 x 18mm (Inside) |
| 3   | 32.236 | 46.047 | STUD M6 x 18mm (Inside) |
| 4   | 32.236 | 1.756  | STUD M6 x 18mm (Inside) |
| 5   | 1.486  | 23.902 | STUD M6 x 18mm (Inside) |
| 6   | 32.236 | 23.902 | STUD M6 x 18mm (Inside) |
| 7   | 2.097  | 2.537  | STUD M6 x 18mm (Inside) |
| 8   | 2.097  | 45.713 | STUD M6 x 18mm (Inside) |
| 9   | 31.625 | 45.713 | STUD M6 x 18mm (Inside) |
| 10  | 31.625 | 2.537  | STUD M6 x 18mm (Inside) |
| 11  | 33.563 | 41.803 | STUD M6 x 18mm (Inside) |
| 12  | 33.563 | 6.000  | STUD M6 x 18mm (Inside) |
| 13  | 33.563 | 24.620 | GEARBOX STUD (Inside)   |
| 14  | 33.563 | 27.120 | GEARBOX STUD (Inside)   |
| 15  | 17.906 | 1.650  | STUD M6 x 18mm (Inside) |
| -----   |        |        |                         |
| 16  | 3.750  | 44.053 | LABEL_EXM (Inside)      |
| 17  | 33.563 | 25.870 | HANDLE 885 ESL2A @ 0.0° |



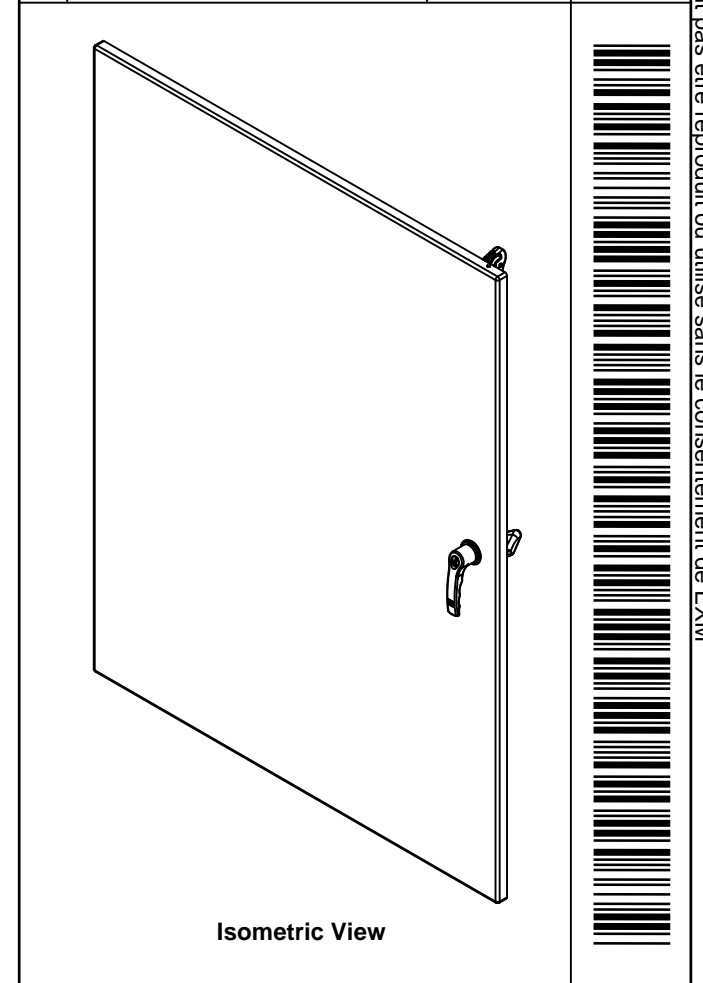
|  |                             |          |
|--|-----------------------------|----------|
|  | Description                 | Status   |
|  | 5412ESHD 48" x 36" Cover    | (NULL)   |
|  | Part Number<br>Numéro Pièce | Rev.     |
|  | <b>5412ESHD483620C</b>      | <b>0</b> |
|  |                             | 2        |
|  |                             | 3        |




This drawing is confidential and must not be reproduced or used without the consent of EXM

Ce dessin est confidentiel et ne doit pas être reproduit ou utilisé sans le consentement de EXM

| No. | Revisions | Date | By/Par |
|-----|-----------|------|--------|
|     |           |      |        |
|     |           |      |        |
|     |           |      |        |
|     |           |      |        |
|     |           |      |        |

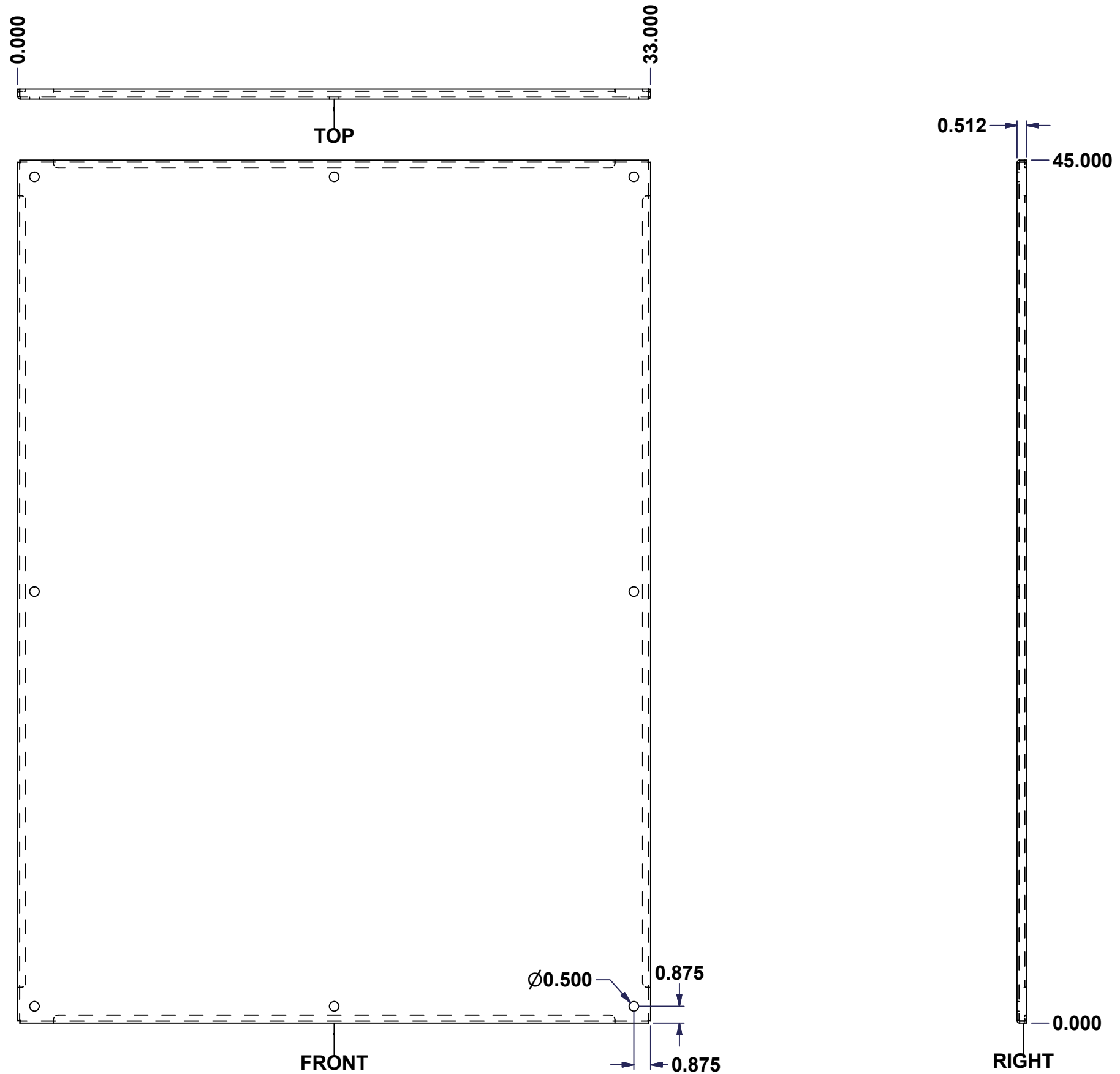


| 1          | 5412ESHD483620CB1_D | 0         | 5412ESHD 48" Lower Closing Bar                |
|------------|---------------------|-----------|---|
| 1          | 5412ESHD483620CB1_U | 0         | 5412ESHD 48" Upper Closing Bar                |
| 1          | STK-A-03880-36      | 12        | Gearbox Clockwise Assembly (Grip 36mm)        |
| 1          | 885 ESL2A           | 4         | 5412 ES Key Lock L-Handle (3 Pts)             |
| 1          | STK-S-00100         | 0         | 3.5" x 2" Silver Milar Flexcon Sticker        |
| 1          | STK-P-02400S        | 0         | Powder Paint (Asa-61 Grey / Smooth)           |
| 1          | STK-Q-46515         | 3         | 5412 ES Door Support with Brass Insert        |
| 2          | STK-Q-46025-36-3    | 0.1.<br>1 | 5412 ES Horizontal Door Stiffener 36" (3 Pts) |
| 2          | STK-Q-46020-48      | 5         | 5412 ES Vertical Door Stiffener 48"           |
| 11         | STK-Q-16055         | 1         | M6 x 18mm Stud (No Paint Cap Required)        |
| 1          | 5412ESHD483620G     | 0         | 5412ESHD 48" x 36" Door Gasket                |
| 1          | 5412ESHD483620C-P   | 0         | 5412ESHD 48" x 36" Cover Part                 |
| 4          | STK-K-09860         | 7         | Cabinet Hinge with Captive Pins               |
| 10         | STK-Q-07220         | 1         | M6 Nylon Insert Lock Nut                      |
| Qty        | Part Name           | Rev       | Description                                   |
| Parts List |                     |           |   |

|  |             |                           |          |
|--|-------------|---------------------------|----------|
|  Tél: (450) 979-4373<br>Fax: (450) 979-4626<br><a href="http://www.exmweb.com">www.exmweb.com</a> |             | Flatness<br>Aplatissement |          |
|  |             | Max 3.0mm                 |          |
| Customer<br>Client   |             | Date                      |          |
| Drawn By<br>Dessiné Par BoxCad: BoxCad   |             | Date 24-Apr-14            |          |
| Material<br>Matière  |             | 12 Ga H.R.P. & O. (2.5mm) |          |
| Color<br>Couleur   | Asa-61 Grey | Finish<br>Fini            | Smooth   |
| Description  |             | Detail Rev.               |          |
| 5412ESHD 48" x 36" Cover   |             |                           |          |
| Part Number<br>Numéro Pièce  |             | Rev.                      | 3        |
| <b>5412ESHD483620C</b>   |             | <b>0</b>                  | <b>3</b> |

This drawing is confidential and must not be reproduced or used without the consent of EXM

Ce dessin est confidentiel et ne doit pas être reproduit ou utilisé sans le consentement de EXM



| No. | Revisions | Date | By/Par |
|-----|-----------|------|--------|
|     |           |      |        |
|     |           |      |        |
|     |           |      |        |
|     |           |      |        |
|     |           |      |        |

**Isometric View**

|  |                          |  |
|--|--------------------------|--|
| Tél: (450) 979-4373<br>Fax: (450) 979-4626<br><a href="http://www.exmweb.com">www.exmweb.com</a> |                          | Flatness<br>Aplatissement<br>Max 3.0mm<br>Projection<br> |
| Customer Client  | Date                     |  |
| Drawn By<br>Dessiné Par  | BoxCad: nickz            | Date 01/03/2017  |
| Material<br>Matière  | 12 Ga Galvanized (2.5mm) |  |
| Color<br>Couleur   | See Part List            | Finish<br>Fini See Part List                             |
| Description  |                          | Detail Rev.  |
| 885SP 48" x 36" Inner Panel Part   |                          |  |
| Part Number<br>Numéro Pièce  | Rev.                     | 1  |
| <b>885SP4836G</b>  | <b>0</b>                 | <b>1</b>   |

| Qty | Part Number  | Rev | Description                      | Material                 | Color     | Finish     |
|-----|--------------|-----|----------------------------------|--------------------------|-----------|------------|
| 1   | 885SP4836G-P | 0   | 885SP 48" x 36" Inner Panel Part | 12 Ga Galvanized (2.5mm) | Unpainted | Galvanized |

Parts List