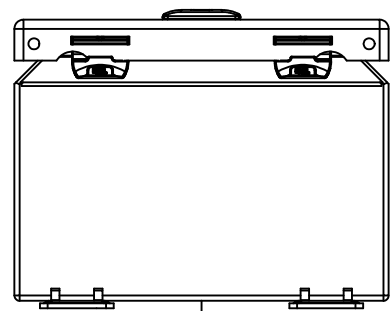
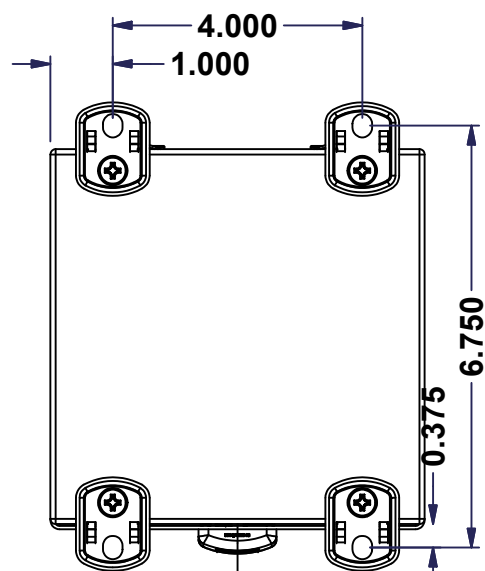


This drawing is confidential and must not be reproduced or used without the consent of EXM

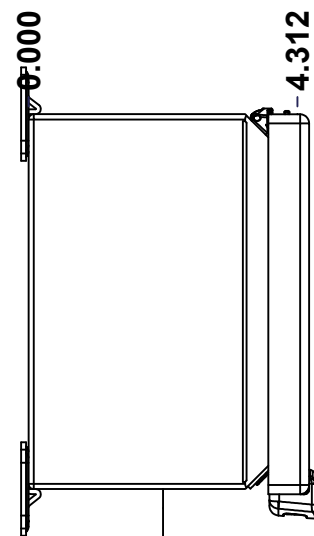
Ce dessin est confidentiel et ne doit pas être reproduit ou utilisé sans le consentement de EXM



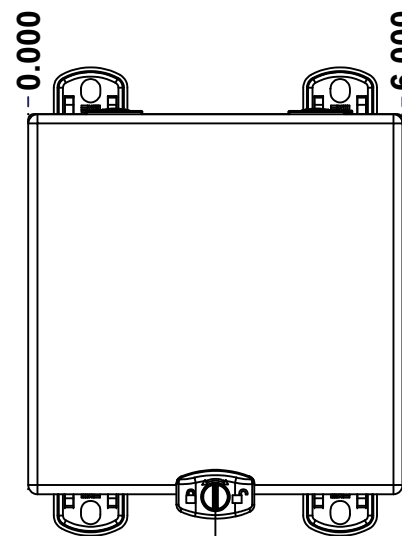
TOP



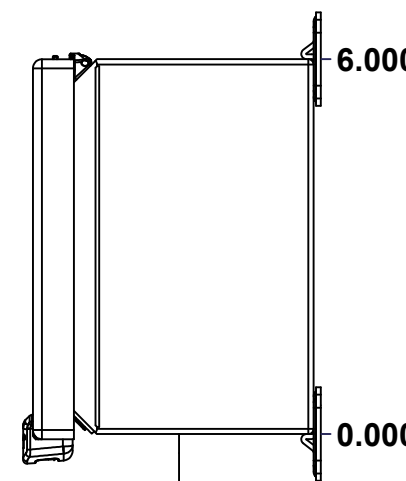
BACK



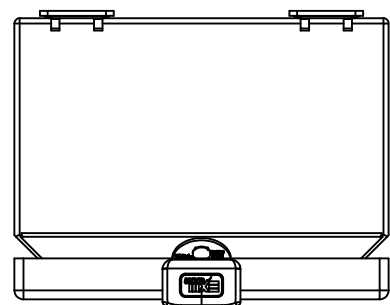
LEFT



FRONT

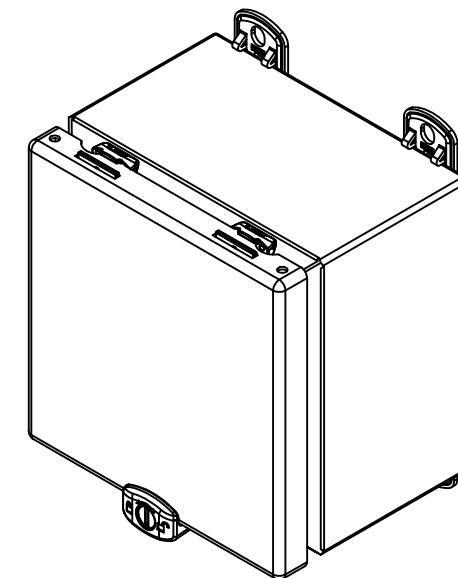


RIGHT



BOTTOM

| No. | Revisions | Date | By/Par |
|-----|-----------|------|--------|
| | | | |
| | | | |
| | | | |
| | | | |



Isometric View



Tél: (450) 979-4373
 Fax: (450) 979-4626
www.exmweb.com

Flatness
Aplatissement
Max 3.0mm
Projection

| | |
|---------------------------------------------------------------|-----------------------|
| Customer Client | Date |
| Drawn By / Dessiné Par: BoxCad: BoxCad | Date: 23-Oct-13 |
| Material / Matière: 16 Ga Cold Rolled A1008 CS Type B (1.4mm) | |
| Color / Couleur: Asa-61 Grey | Finish / Fini: Smooth |
| Description: 5412ESLC 6" x 6" x 4" Assembly | Detail Rev. |
| Part Number / Numéro Pièce: 5412ESLC060604 | Rev. 1/2 |

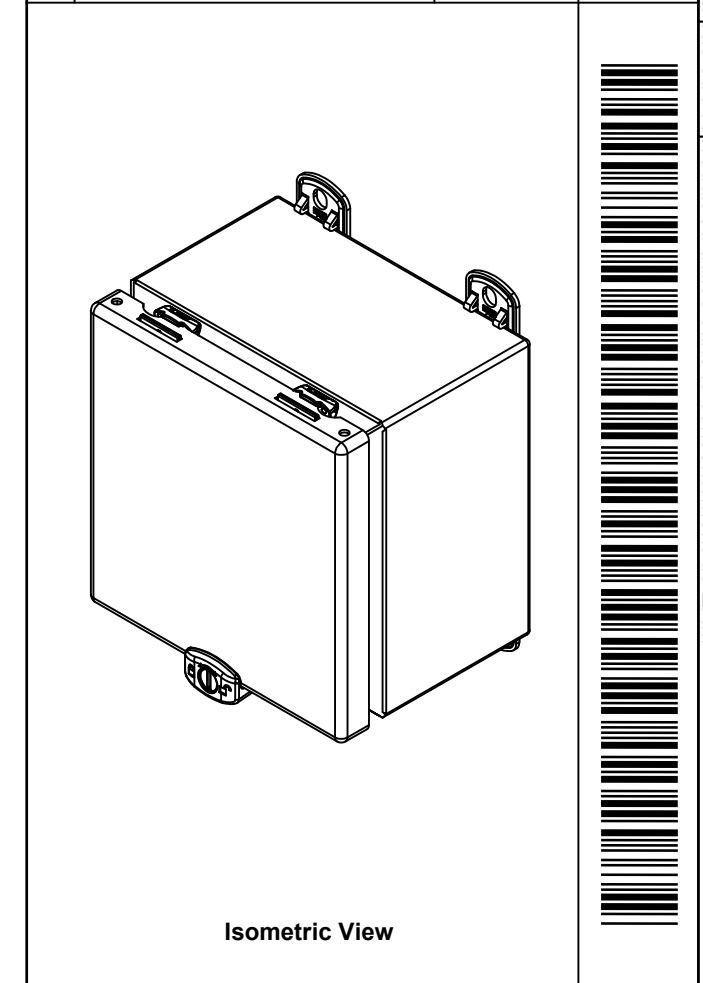
SEE BILL OF MATERIAL ON LAST PAGE


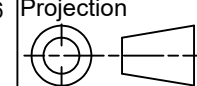
This drawing is confidential and must not be reproduced or used without the consent of EXM

Ce dessin est confidentiel et ne doit pas être reproduit ou utilisé sans le consentement de EXM

| NOTE | |
|------|------------------------------------------------|
| ITEM | DESCRIPTION |
| 1 | NEMA 4/12 Enclosure |
| 2 | C/W Standard ground standoffs on box and cover |
| 3 | W/O Standard door stiffener |
| 4 | C/W Standard inner panel (Included) |
| 5 | C/W Standard inner panel mounting standoffs |
| 6 | C/W 885 ESCHMF1 Mounting Feet (Kit) |

| No. | Revisions | Date | By/Par |
|-----|-----------|------|--------|
| | | | |
| | | | |
| | | | |
| | | | |
| | | | |
| | | | |



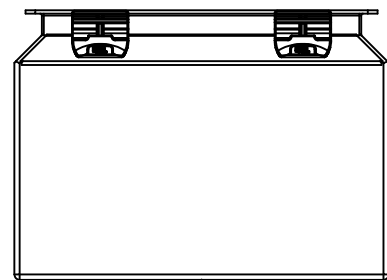
| | | |
|----------------------------------------------------------------------------------------------------------------------------------------------------------------------------------------|-------------------------------------------|-----------------------------------------------------------------------------------------------------------------------------------------------|
|  Tél: (450) 979-4373 Fax: (450) 979-4626 www.exmweb.com | | Flatness Aplatissement Max 3.0mm Projection  |
| Customer Client | Date | |
| Drawn By Dessiné Par | BoxCad: BoxCad | Date 23-Oct-13 |
| Material Matière | 16 Ga Cold Rolled A1008 CS Type B (1.4mm) | |
| Color Couleur | Asa-61 Grey | Finish Fini Smooth |
| Description | Detail Rev. | |
| 5412ESLC 6" x 6" x 4" Assembly | | |
| Part Number Numéro Pièce | Rev. | 2 |
| 5412ESLC060604 | 0 | 2 |

| PACKING | | |
|-----------------|-----|--------------------------------------------|
| ITEM | QTY | DESCRIPTION |
| STK-E-04303 | 1 | CARTON 5412 ESCH060604 |
| Plastic bag | 1 | To protect cover surface and inside gasket |
| Packaging label | 1 | White label with product number |
| STK-S-01100 | 1 | ESCH EXM SQUARE STICKER |

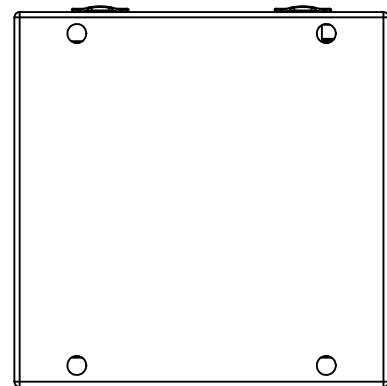
| Qty | Part Number | Rev | Description |
|------------|-----------------|-----|----------------------------|
| 1 | 5412ESLC060604C | 0 | 5412ESLC 6" x 6" Cover |
| 1 | 880 SP0606G | 0 | 880 SP0606G - Inner Panel |
| 1 | STK-K-02930 | 0 | 5412 ESLC Accessory Kit |
| 1 | 5412ESLC060604B | 0 | 5412ESLC 6" x 6" x 4" Body |
| Parts List | | | |

This drawing is confidential and must not be reproduced or used without the consent of EXM

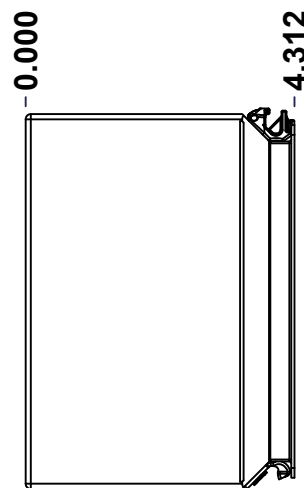
Ce dessin est confidentiel et ne doit pas être reproduit ou utilisé sans le consentement de EXM



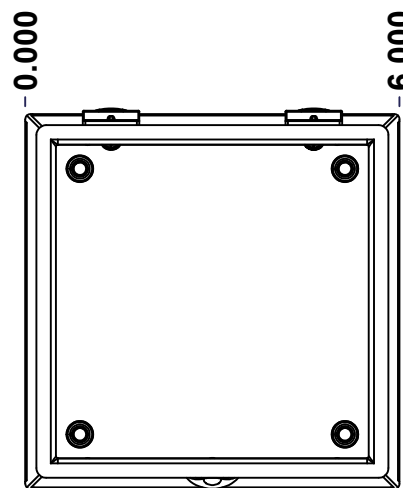
TOP



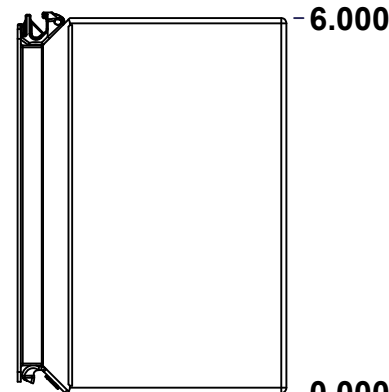
BACK



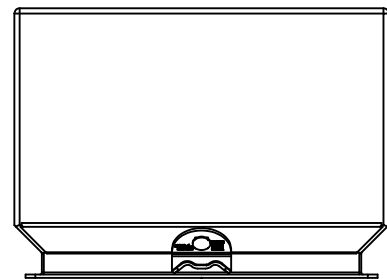
LEFT



FRONT

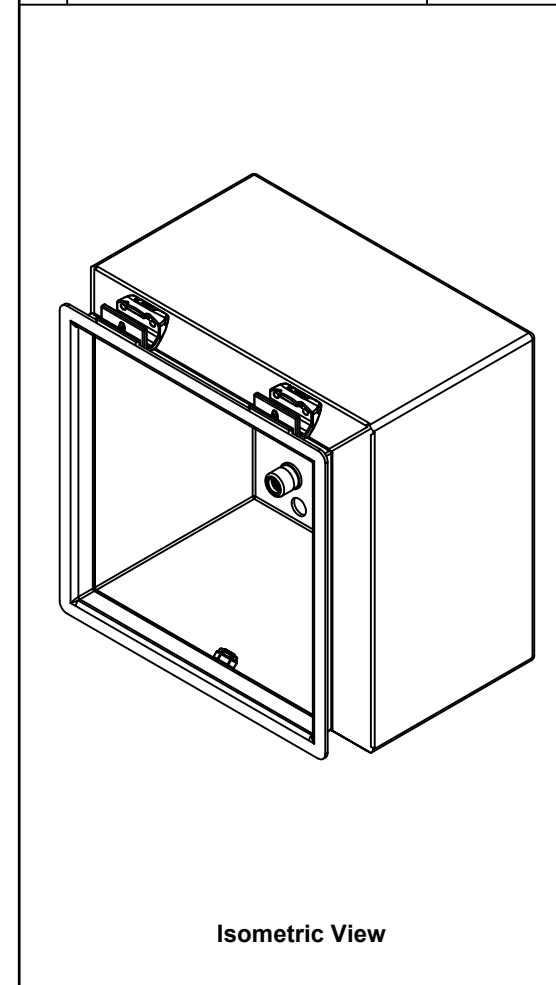


RIGHT




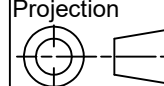
BOTTOM

| No. | Revisions | Date | By/Par |
|-----|-----------|------|--------|
| | | | |
| | | | |
| | | | |
| | | | |



Isometric View



| | | |
|----------------------------------------------------------------------------------------------------------------------------------------------------------------------------------------|----------------|-----------------------------------------------------------------------------------------------------------------------------------------------|
|  Tél: (450) 979-4373 Fax: (450) 979-4626 www.exmweb.com | | Flatness Aplatissement Max 3.0mm Projection  |
| Customer Client | Date | Date |
| Drawn By Dessiné Par | BoxCad: BoxCad | 23-Oct-13 |
| Material Matière 16 Ga Cold Rolled A1008 CS Type B (1.4mm) | | |
| Color Couleur | Asa-61 Grey | Finish Fini Smooth |
| Description 5412ESLC 6" x 6" x 4" Body | | Detail Rev. |
| Part Number Numéro Pièce | Rev. 0 | 1/7 |

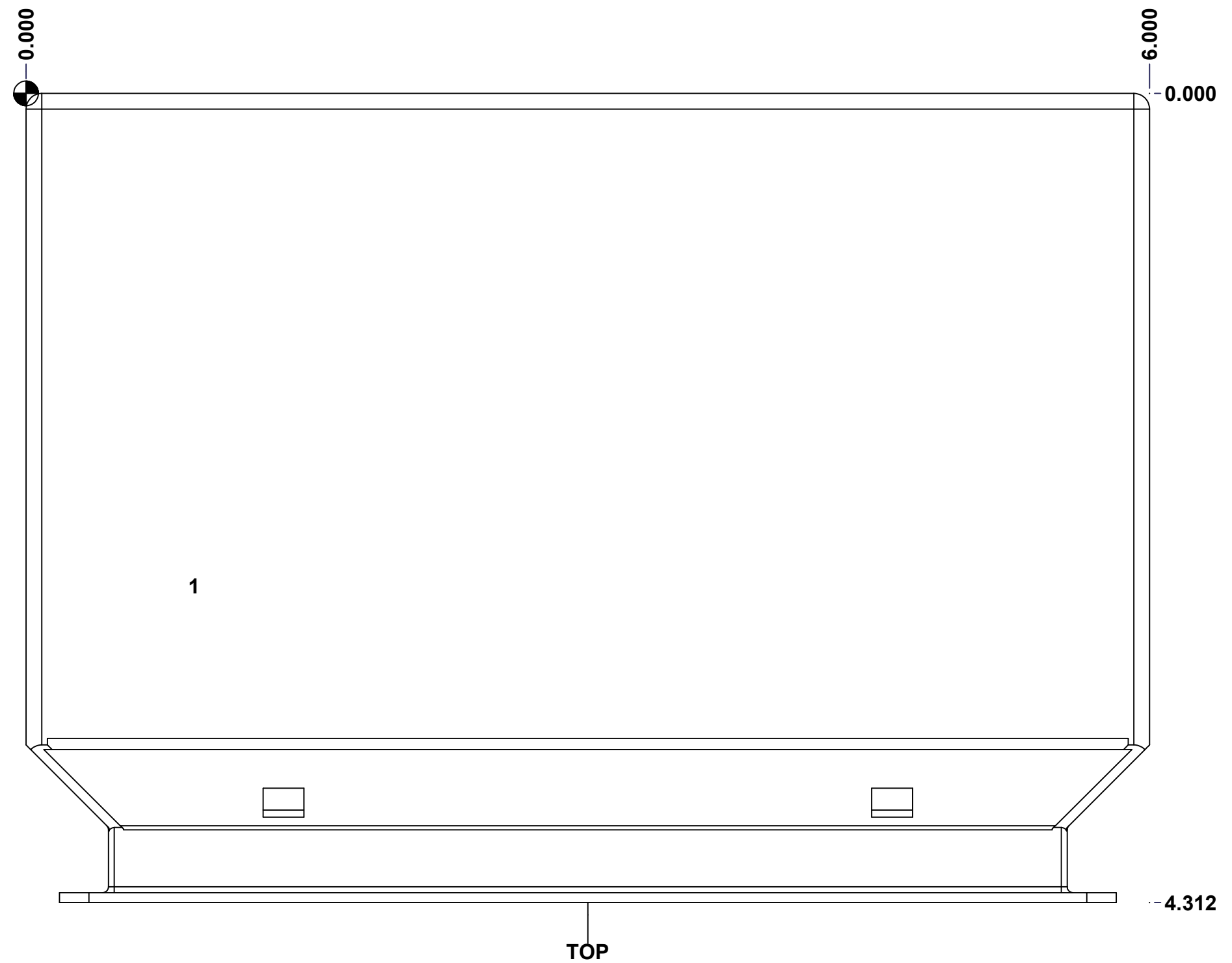
SEE BILL OF MATERIAL ON LAST PAGE

5412ESLC060604B

This drawing is confidential and must not be reproduced or used without the consent of EXM

Ce dessin est confidentiel et ne doit pas être reproduit ou utilisé sans le consentement de EXM

| STANDARD FEATURES ARE NOT LISTED IN THIS HOLE TABLE | | | |
|------------------------------------------------------------|-------|-------|-----------------------------|
| HOLE TABLE - TOP VIEW (CUSTOM FEATURE ONLY) | | | |
| CUT-OUT | XDIM | YDIM | DESCRIPTION |
| 1 | 0.875 | 2.625 | STANDOFF M6 x 10mm (Inside) |



| | | | |
|--|-----------------------------|----------|-----|
| | Description | Status | |
| | 5412ESLC 6" x 6" x 4" Body | (NULL) | |
| | Part Number Numéro Pièce | Rev. | 2/7 |
| | 5412ESLC060604B | 0 | |

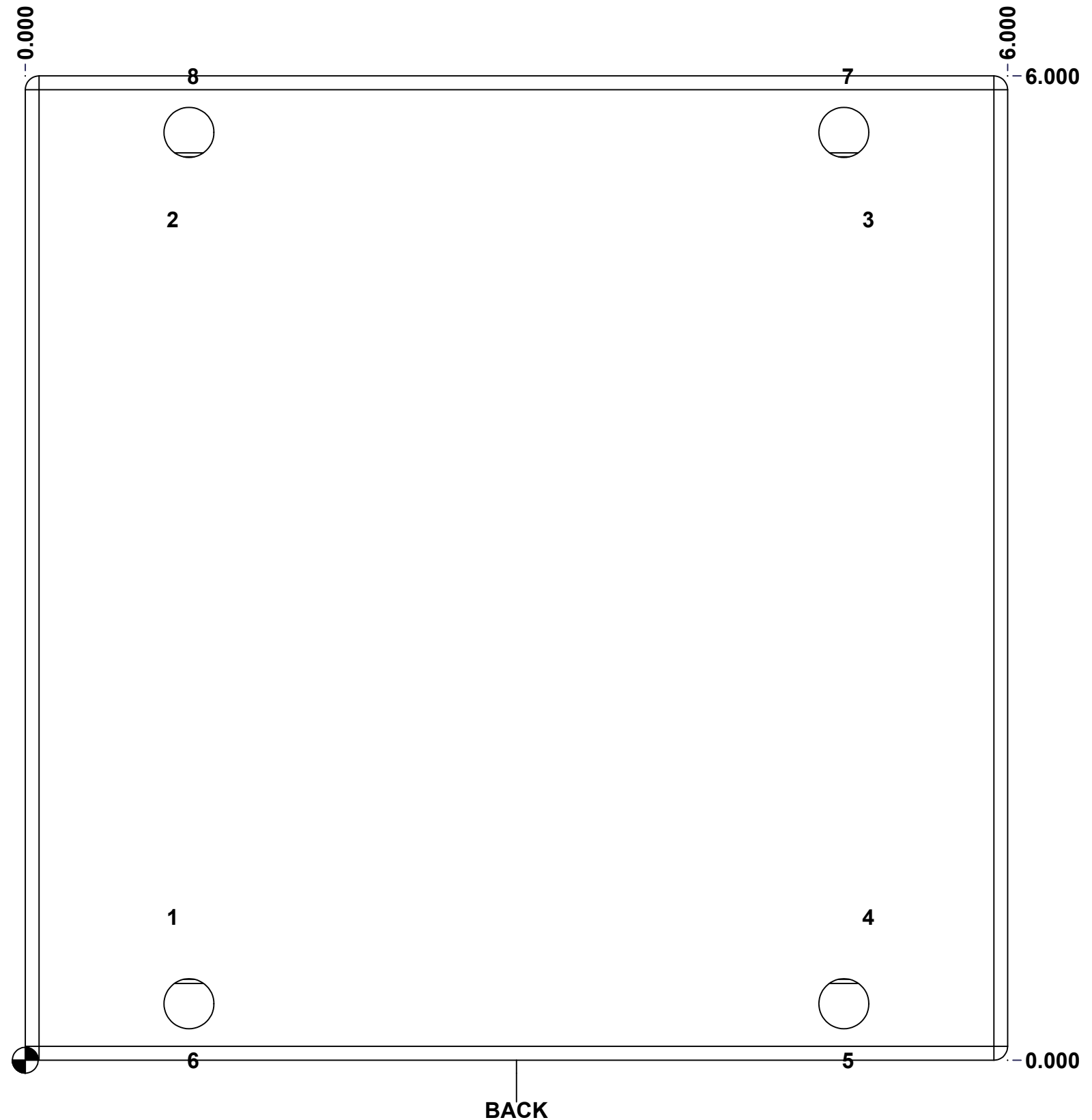
This drawing is confidential and must not be reproduced or used without the consent of EXM

Ce dessin est confidentiel et ne doit pas être reproduit ou utilisé sans le consentement de EXM

STANDARD FEATURES ARE NOT LISTED IN THIS HOLE TABLE

HOLE TABLE - BACK VIEW (CUSTOM FEATURE ONLY)

| CUT-OUT | XDIM | YDIM | DESCRIPTION |
|---------|-------|-------|--------------------------------|
| 1 | 0.875 | 0.875 | IP STANDOFF M6 x 10mm (Inside) |
| 2 | 0.875 | 5.125 | IP STANDOFF M6 x 10mm (Inside) |
| 3 | 5.125 | 5.125 | IP STANDOFF M6 x 10mm (Inside) |
| 4 | 5.125 | 0.875 | IP STANDOFF M6 x 10mm (Inside) |
| ----- | | | |
| 5 | 5.000 | 0.000 | FOOT 885 ESCHMF1 |
| 6 | 1.000 | 0.000 | FOOT 885 ESCHMF1 |
| 7 | 5.000 | 6.000 | FOOT 885 ESCHMF1 |
| 8 | 1.000 | 6.000 | FOOT 885 ESCHMF1 |

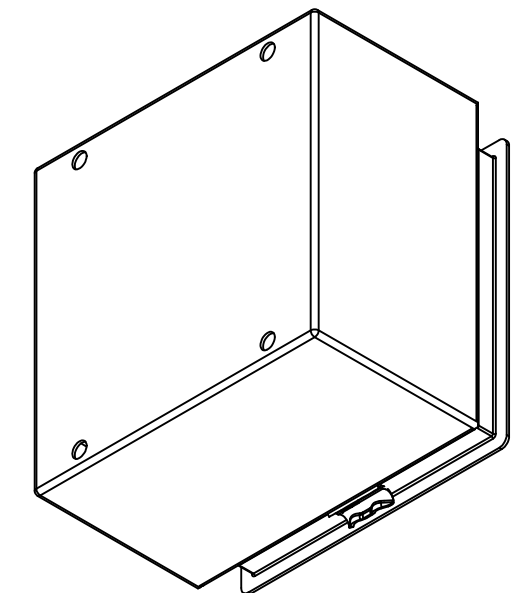


| | | |
|--|-----------------------------|----------|
| | Description | Status |
| | 5412ESLC 6" x 6" x 4" Body | (NULL) |
| | Part Number Numéro Pièce | Rev. |
| | 5412ESLC060604B | 0 |
| | | 6 |
| | | 7 |

This drawing is confidential and must not be reproduced or used without the consent of EXM


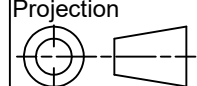
Ce dessin est confidentiel et ne doit pas être reproduit ou utilisé sans le consentement de EXM

| No. | Revisions | Date | By/Par |
|-----|-----------|------|--------|
| | | | |
| | | | |
| | | | |
| | | | |
| | | | |



Isometric View

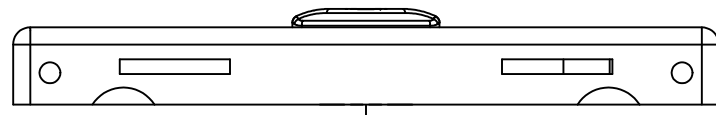


| | |
|----------------------------------------------------------------------------------------------------------------------------------------------------------------------------------------|---------------------------------------------------------------------------------------|
|  Tél: (450) 979-4373 Fax: (450) 979-4626 www.exmweb.com | Flatness Aplatissement |
| | Max 3.0mm |
| Projection |  |
| Customer Client | Date |
| Drawn By Dessiné Par | Date 23-Oct-13 |
| Material Matière | 16 Ga Cold Rolled A1008 CS Type B (1.4mm) |
| Color Couleur | Asa-61 Grey |
| Finish Fini | Smooth |
| Description | Detail Rev. |
| 5412ESLC 6" x 6" x 4" Body | |
| Part Number Numéro Pièce | Rev. 7 |
| 5412ESLC060604B | 0 / 7 |

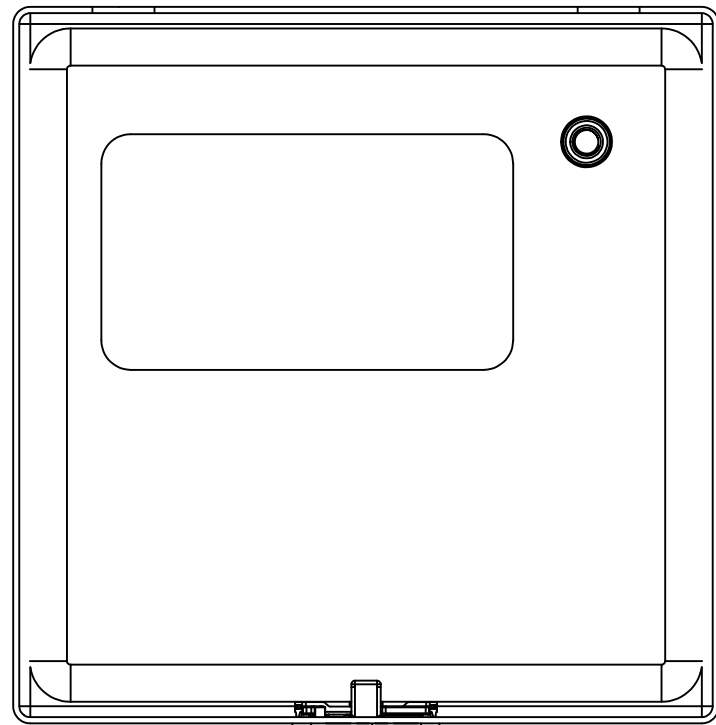
| Qty | Part Number | Rev | Description |
|------------|-------------------|-----|-------------------------------------------------------|
| 1 | STK-A-70469 | 6 | 5412 ESSMCH - Stainless Steel 316 Body Catch Assembly |
| 1 | STK-P-02400S | 0 | Powder Paint (Asa-61 Grey / Smooth) |
| 1 | 5412ESLC060604B-P | 0 | 5412ESLC 6" x 6" x 4" Body Part |
| 3 | STK-Q-08100 | 1 | M5 Nylon Insert Lock Nut |
| 5 | STK-Q-08350 | 5 | Standoff M6 x 10mm |
| 2 | STK-Q-70476 | 0 | 5412ESMLC - Zinc Casting Body Catch |
| Parts List | | | |

This drawing is confidential and must not be reproduced or used without the consent of EXM

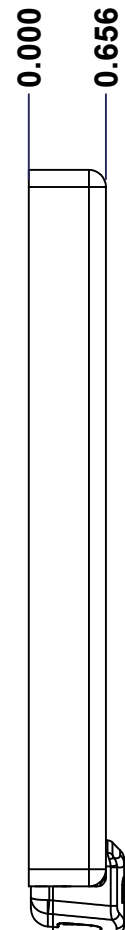
Ce dessin est confidentiel et ne doit pas être reproduit ou utilisé sans le consentement de EXM



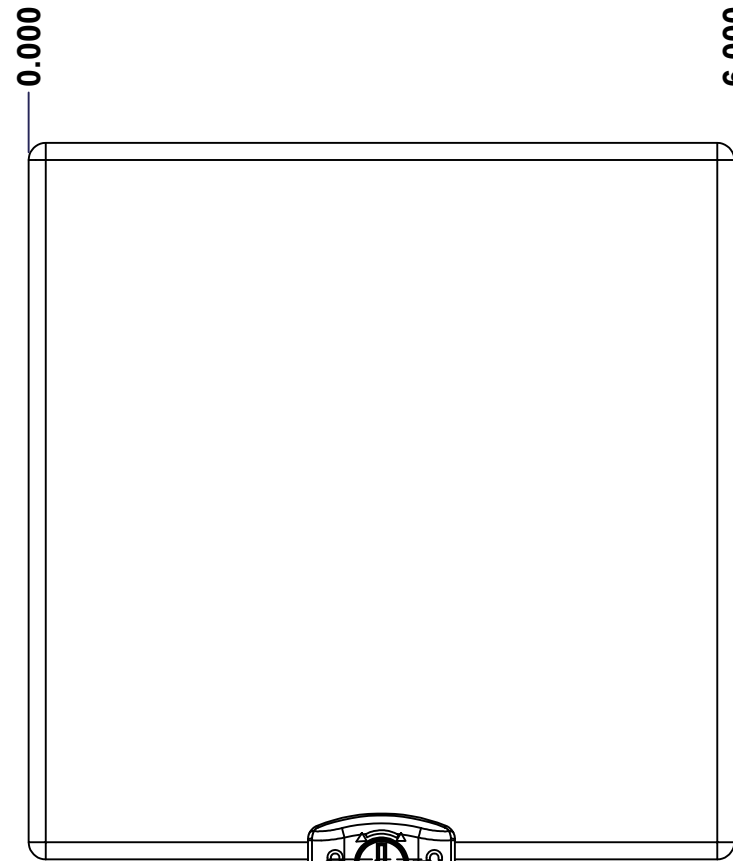
TOP



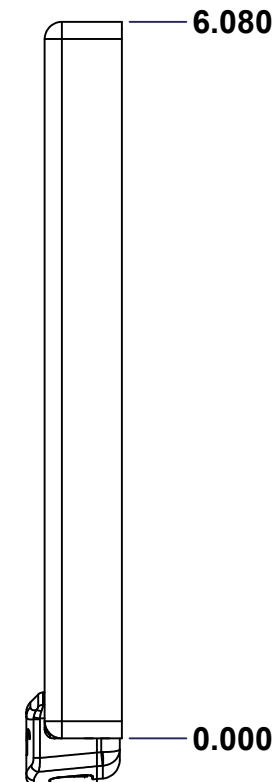
BACK



LEFT



FRONT

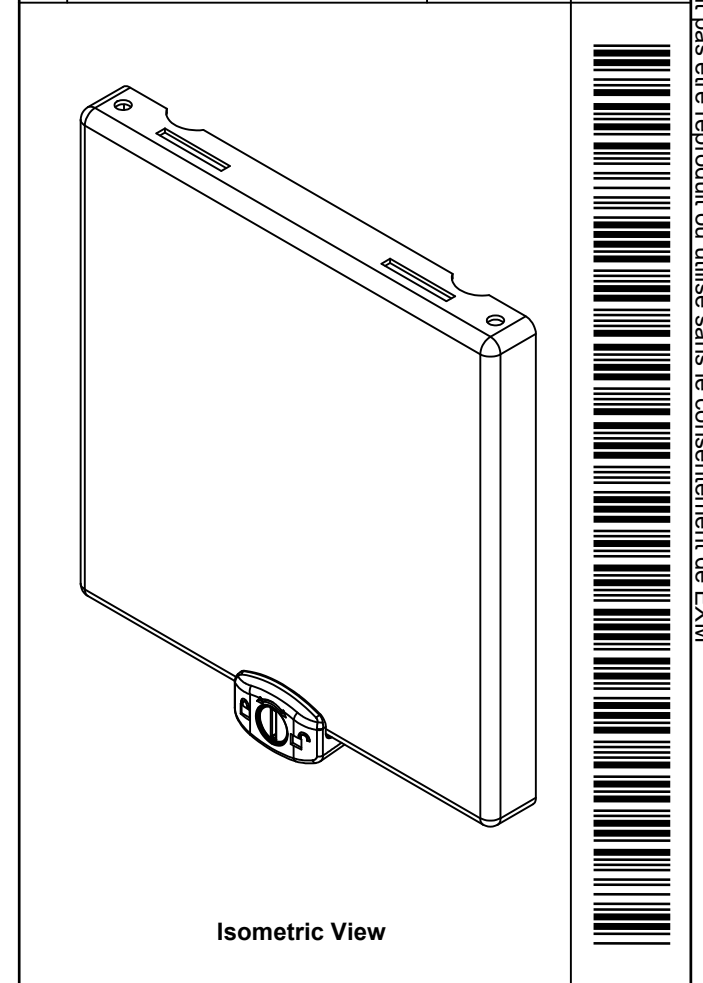


RIGHT


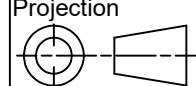


BOTTOM

| No. | Revisions | Date | By/Par |
|-----|-----------|------|--------|
| | | | |
| | | | |
| | | | |
| | | | |



Isometric View

| | | |
|----------------------------------------------------------------------------------------------------------------------------------------------------------------------------------------|-------------------------------------------|-----------------------------------------------------------------------------------------------------------------------------------------------|
|  Tél: (450) 979-4373 Fax: (450) 979-4626 www.exmweb.com | | Flatness Aplatissement Max 3.0mm Projection  |
| Customer Client | Date | Date |
| Drawn By Dessiné Par | BoxCad: BoxCad | 23-Oct-13 |
| Material Matière | 16 Ga Cold Rolled A1008 CS Type B (1.4mm) | |
| Color Couleur | Asa-61 Grey | Finish Fini: Smooth |
| Description | 5412ESLC 6" x 6" Cover | |
| Part Number Numéro Pièce | Rev. 0 | 1 / 3 |

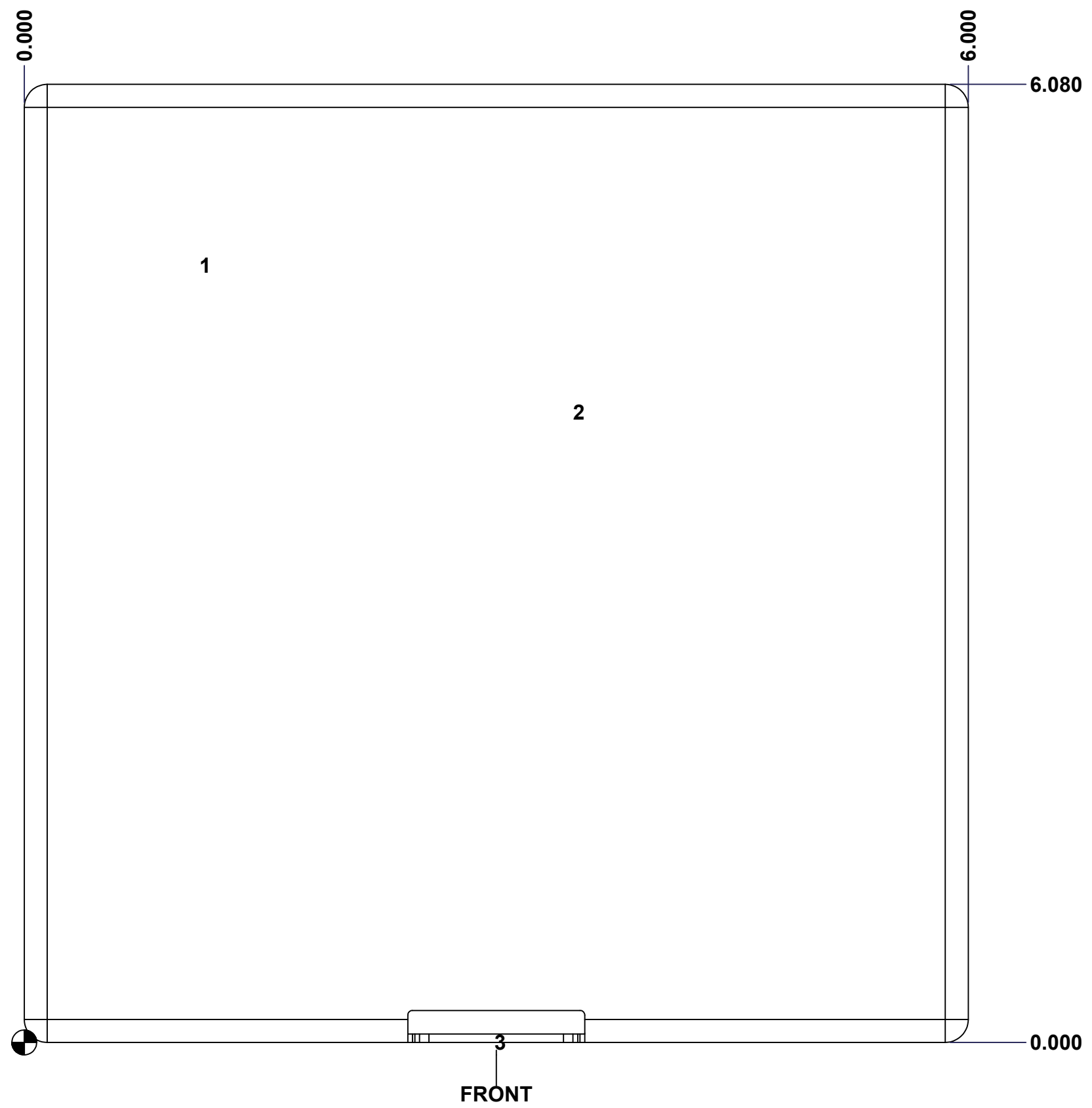
SEE BILL OF MATERIAL ON LAST PAGE

5412ESLC060604C

This drawing is confidential and must not be reproduced or used without the consent of EXM

Ce dessin est confidentiel et ne doit pas être reproduit ou utilisé sans le consentement de EXM

| STANDARD FEATURES ARE NOT LISTED IN THIS HOLE TABLE | | | |
|-----------------------------------------------------|-------|-------|-----------------------------|
| HOLE TABLE - FRONT VIEW (CUSTOM FEATURE ONLY) | | | |
| CUT-OUT | XDIM | YDIM | DESCRIPTION |
| 1 | 1.125 | 4.935 | STANDOFF M6 x 10mm (Inside) |
| 2 | 3.500 | 4.000 | LABEL_EXM |
| 3 | 3.000 | 0.000 | LOCK 880 SCQ2MS @ 270.0° |

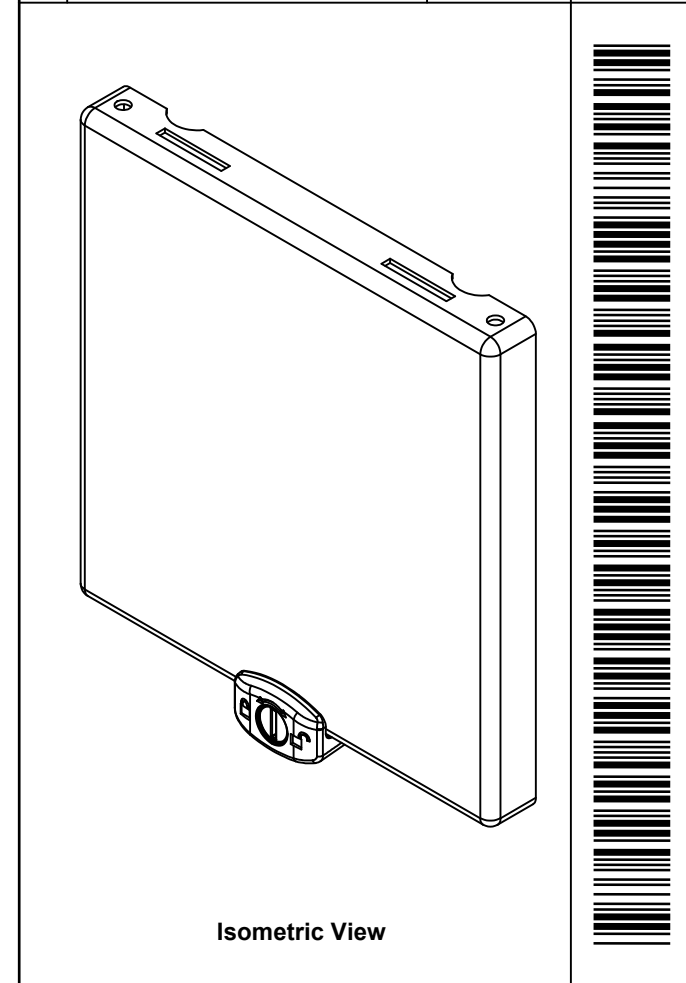


| | | |
|--|-----------------------------|----------|
| | Description | Status |
| | 5412ESLC 6" x 6" Cover | (NULL) |
| | Part Number Numéro Pièce | Rev. |
| | 5412ESLC060604C | 0 |
| | | 2 |
| | | 3 |

This drawing is confidential and must not be reproduced or used without the consent of EXM

Ce dessin est confidentiel et ne doit pas être reproduit ou utilisé sans le consentement de EXM

| No. | Revisions | Date | By/Par |
|-----|-----------|------|--------|
| | | | |
| | | | |
| | | | |
| | | | |
| | | | |

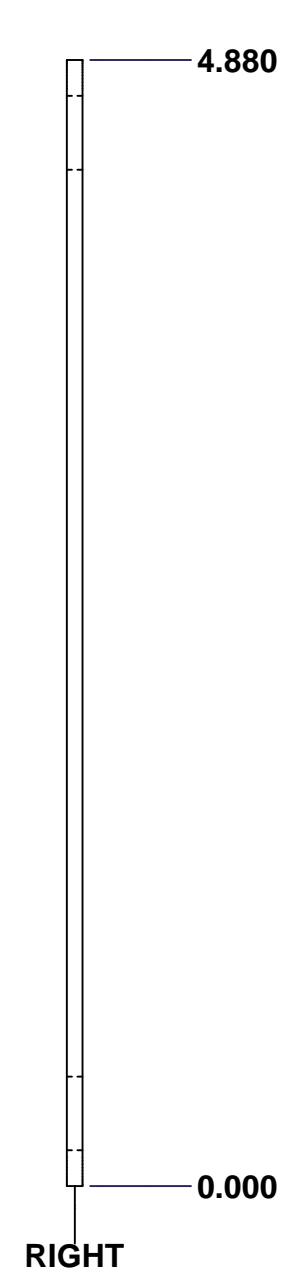
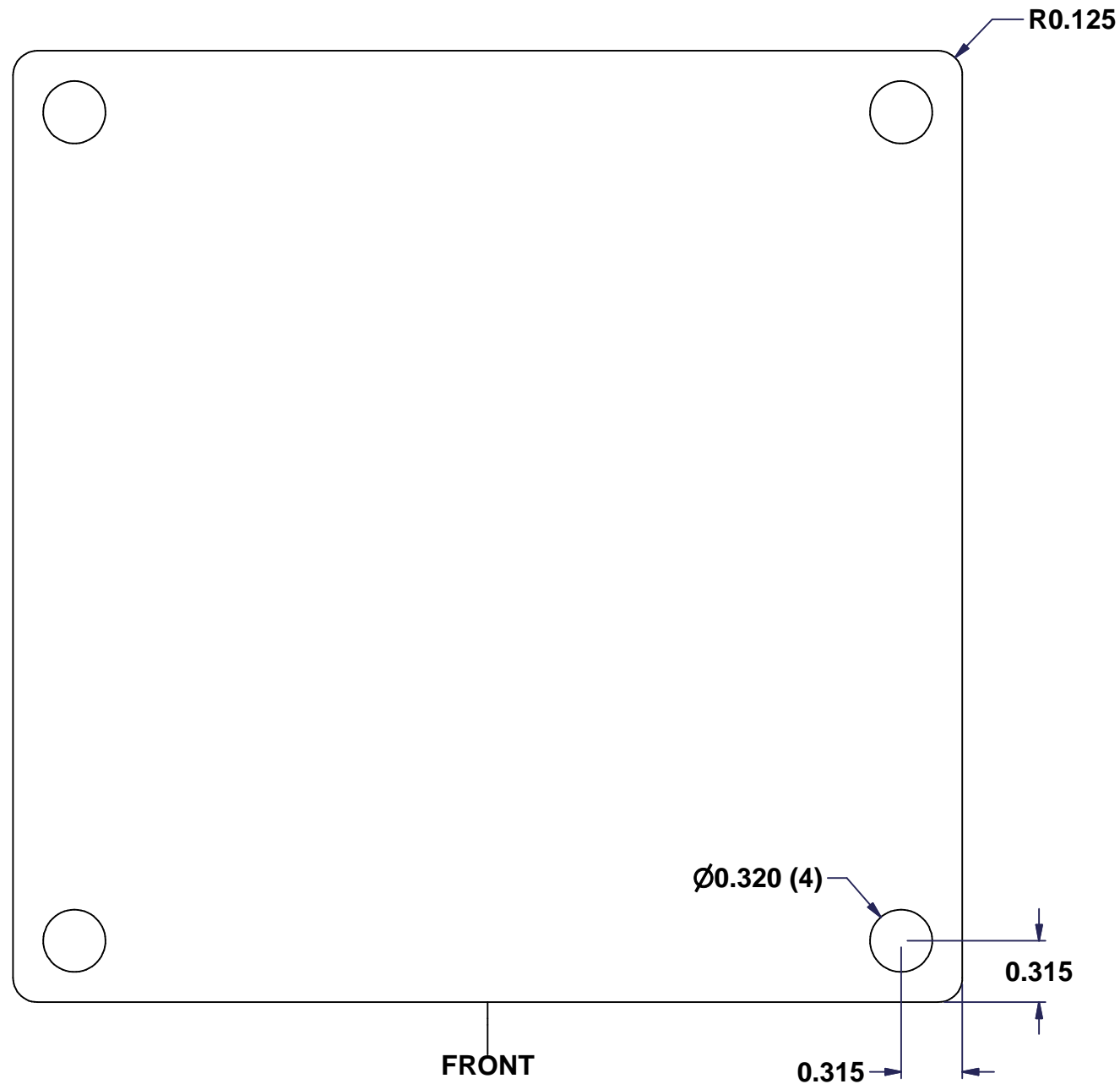
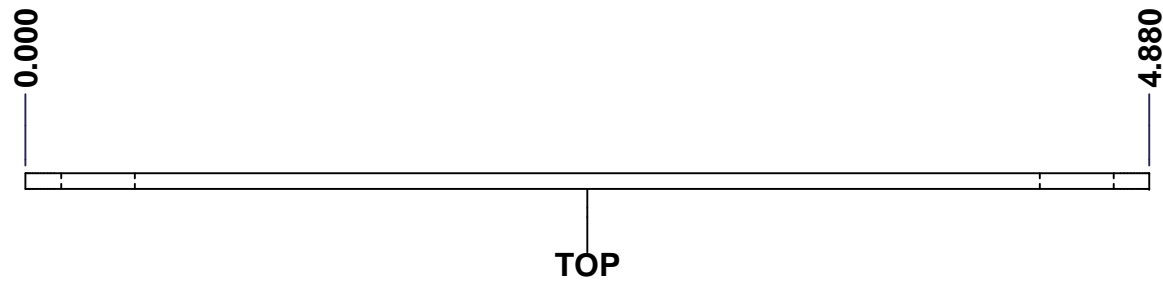


| | | | |
|--------------------------------------------------------------------------------------------------|--|---------------------------|-------------------|
| Tél: (450) 979-4373 Fax: (450) 979-4626 www.exmweb.com | | Flatness Aplatissement | |
| | | Max 3.0mm Projection | |
| Customer Client | | Date | |
| Drawn By Dessiné Par BoxCad: BoxCad | | Date 23-Oct-13 | |
| Material Matière 16 Ga Cold Rolled A1008 CS Type B (1.4mm) | | | |
| Color Couleur Asa-61 Grey | | Finish Fini Smooth | |
| Description 5412ESLC 6" x 6" Cover | | | Detail Rev. |
| Part Number Numéro Pièce 5412ESLC060604C | | Rev. | 3 <hr/> 0 3 |


| 1 | STK-Q-08350 | 5 | Standoff M6 x 10mm |
|------------|-------------------|-----|---------------------------------------------|
| 1 | STK-P-02400S | 0 | Powder Paint (Asa-61 Grey / Smooth) |
| 1 | 5412ESLC060604G | 0 | 5412ESLC 6" x 6" Gasket |
| 1 | 880SCQ2S | 3 | 5412 ESMCH - External Lock Assy - Slot Lock |
| 1 | STK-S-00100 | 0 | 3.5" x 2" Silver Milar Flexcon Sticker |
| 1 | 5412ESLC060604C-P | 0 | 5412ESLC 6" x 6" Cover Part |
| Qty | Part Number | Rev | Description |
| Parts List | | | |


This drawing is confidential and must not be reproduced or used without the consent of EXM

Ce dessin est confidentiel et ne doit pas être reproduit ou utilisé sans le consentement de EXM



| No. | Revisions | Date | By/Par |
|-----|-----------|------|--------|
| | | | |
| | | | |
| | | | |
| | | | |



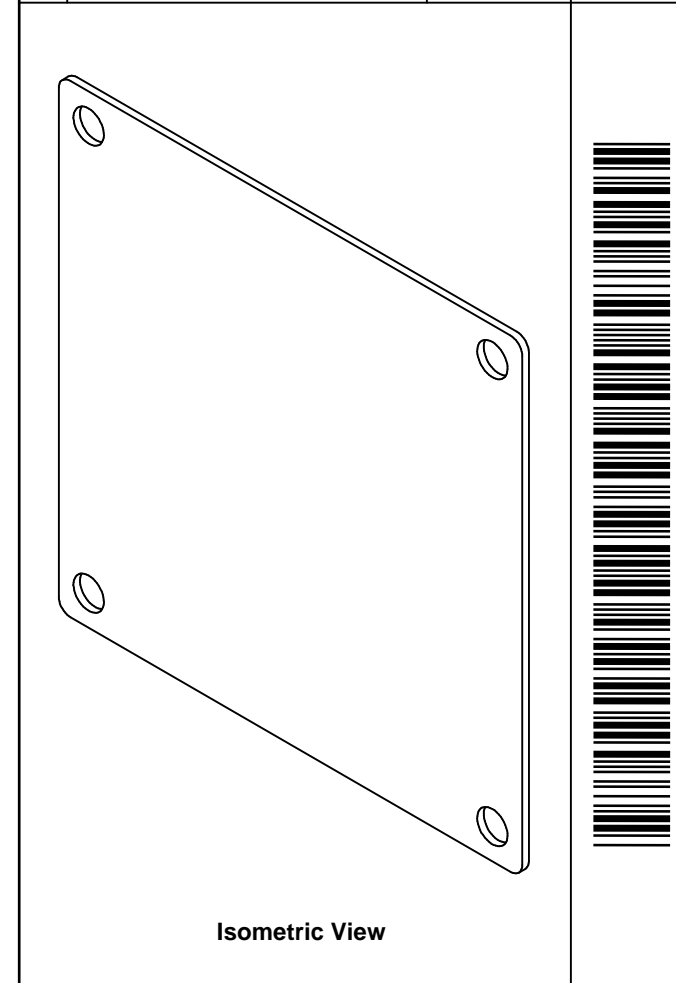
| | | |
|----------------------------------------------------------------------------------------------------------------------------------------------------|---------------------------|---------------------------|
|  Tél: (450) 979-4373 Fax: (450) 979-4626 www.exmweb.com | | Flatness Aplatissement |
| | | Max 3.0mm |
| Customer Client | | Date |
| Drawn By Dessiné Par BoxCad | | Date 23-Jan-07 |
| Material Matière 14 Ga Galvanized (1.7mm) | | |
| Color Couleur Unpainted | Finish Fini Galvanized | |
| Description 880 SP0606G - Inner Panel | | Detail Rev. |
| Part Number Numéro Pièce 880 SP0606G | | Rev. 1 0 2 |


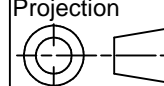
SEE BILL OF MATERIAL ON LAST PAGE

This drawing is confidential and must not be reproduced or used without the consent of EXM

Ce dessin est confidentiel et ne doit pas être reproduit ou utilisé sans le consentement de EXM

| No. | Revisions | Date | By/Par |
|-----|-----------|------|--------|
| | | | |
| | | | |
| | | | |
| | | | |
| | | | |



| | | |
|----------------------------------------------------------------------------------------------------------------------------------------------------|---------------------------|-----------------------------------------------------------------------------------------------------|
|  Tél: (450) 979-4373 Fax: (450) 979-4626 www.exmweb.com | | Flatness Aplatissement Max 3.0mm |
| Customer Client | | Projection  |
| Drawn By Dessiné Par BoxCad | | Date 23-Jan-07 |
| Material Matière 14 Ga Galvanized (1.7mm) | | |
| Color Couleur Unpainted | Finish Fini Galvanized | |
| Description 880 SP0606G - Inner Panel | | Detail Rev. |
| Part Number Numéro Pièce 880 SP0606G | | Rev. 0 |

| Qty | Part Number | Rev | Description |
|------------|---------------|-----|--------------------------------|
| 1 | 880 SP0606G-P | 0 | 880 SP0606G - Inner Panel Part |
| Parts List | | | |

2
2