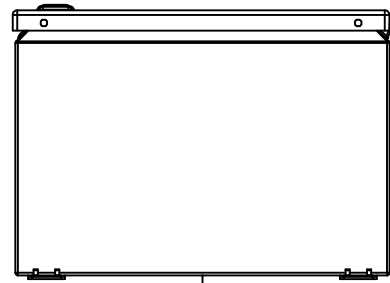
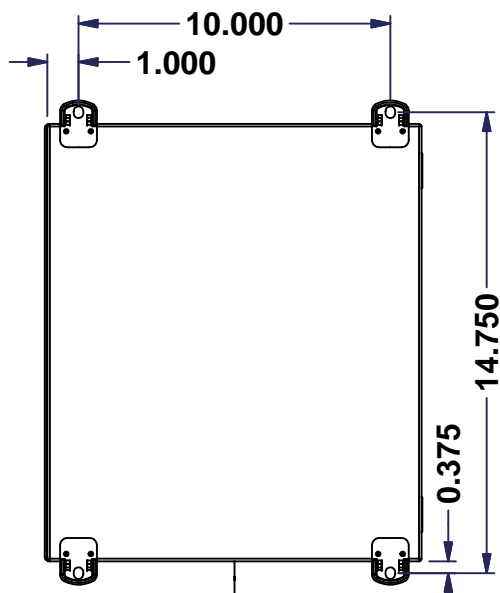


This drawing is confidential and must not be reproduced or used without the consent of EXM

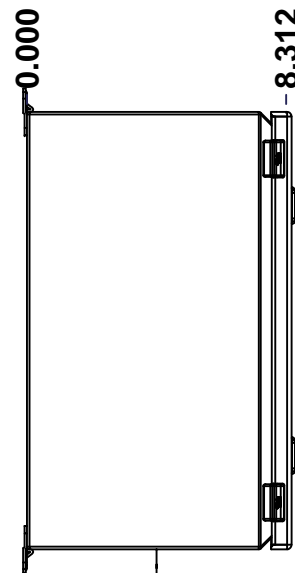
Ce dessin est confidentiel et ne doit pas être reproduit ou utilisé sans le consentement de EXM



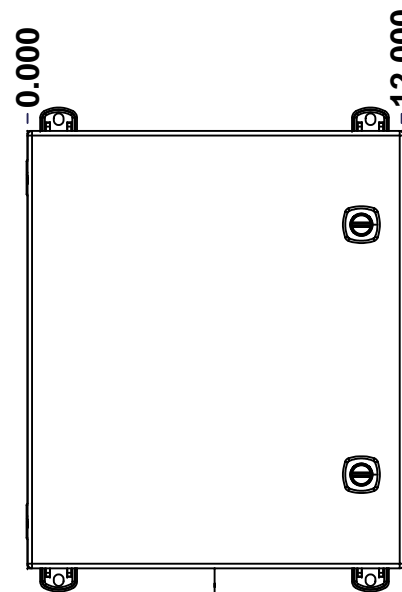
TOP



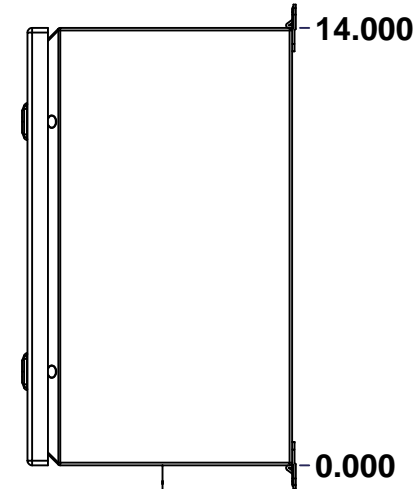
BACK



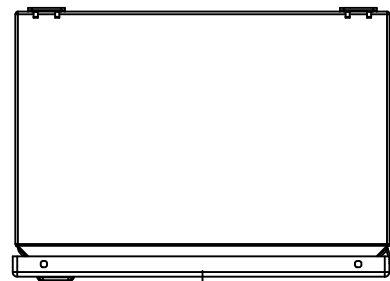
LEFT



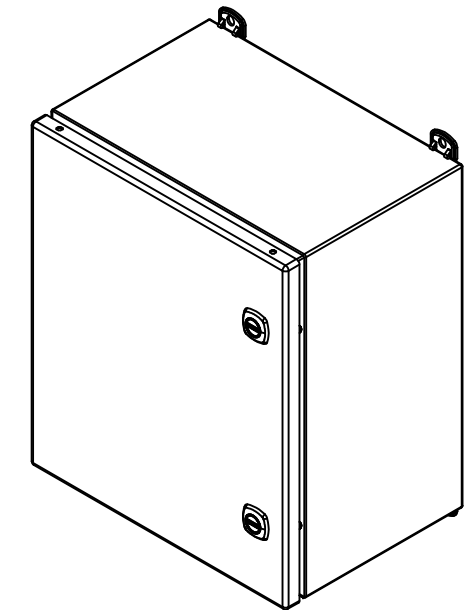
FRONT



RIGHT




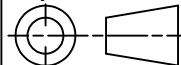
BOTTOM



Isometric View



| No. | Revisions | Date | By/Par |
|-----|-----------|------|--------|
| | | | |
| | | | |
| | | | |
| | | | |
| | | | |

| | | |
|--|---|---|
|  Tél: (450) 979-4373 Fax: (450) 979-4626 www.exmweb.com | | Flatness Aplatissement Max 3.0mm Projection  |
| Customer Client | Date | Date |
| Drawn By Dessiné Par | BoxCad: BoxCad | Date 20-Aug-14 |
| Material Matière | 16 Ga Cold Rolled A1008 CS Type B (1.4mm) | |
| Color Couleur | Asa-61 Grey | Finish Fini Smooth |
| Description | 5412ESM 14" x 12" x 8" Assembly | |
| Part Number Numéro Pièce | Rev. 0 | 1 2 |

SEE BILL OF MATERIAL ON LAST PAGE

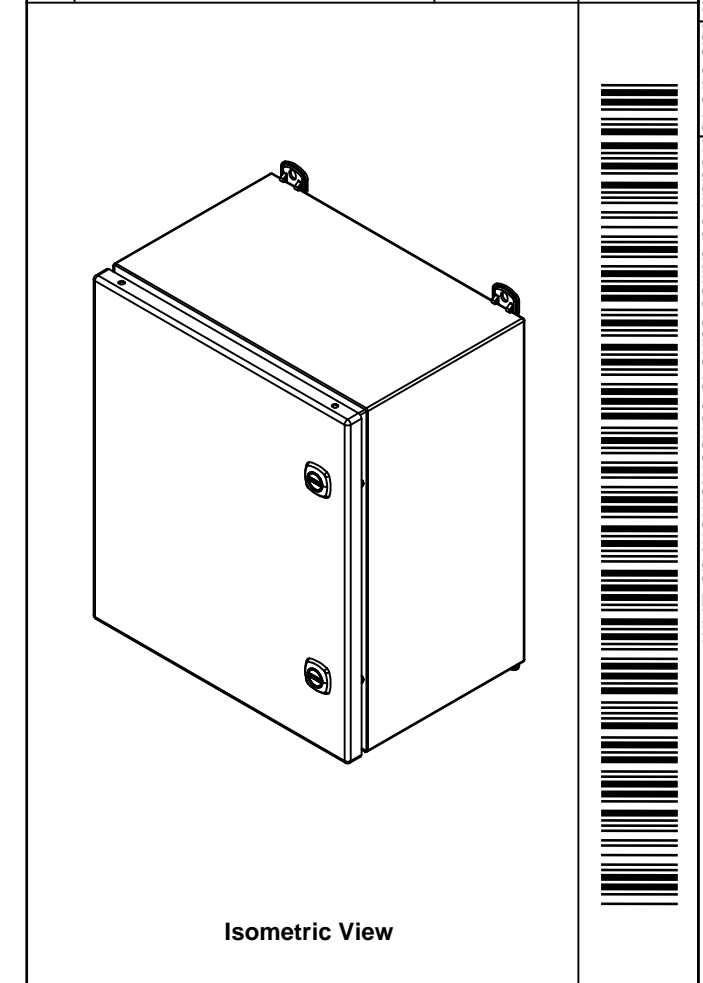
5412ESM141208


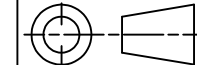
This drawing is confidential and must not be reproduced or used without the consent of EXM

Ce dessin est confidentiel et ne doit pas être reproduit ou utilisé sans le consentement de EXM

| NOTE | |
|------|--|
| ITEM | DESCRIPTION |
| 1 | NEMA 4/12 Enclosure |
| 2 | C/W Standard ground standoffs on box and cover |
| 3 | W/O Standard door stiffener |
| 4 | C/W Standard inner panel (Included) |
| 5 | C/W Standard inner panel mounting standoffs |
| 6 | C/W 885 ESCHMF1 Mounting Feet (Welded) |

| No. | Revisions | Date | By/Par |
|-----|-----------|------|--------|
| | | | |
| | | | |
| | | | |
| | | | |
| | | | |
| | | | |



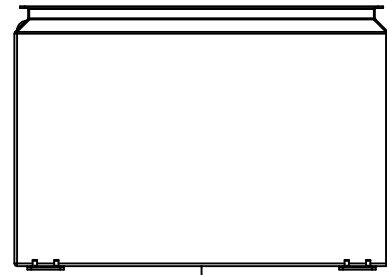
| | | |
|--|---|---|
|  Tél: (450) 979-4373 Fax: (450) 979-4626 www.exmweb.com | | Flatness Aplatissement Max 3.0mm Projection  |
| Customer Client | Date | |
| Drawn By Dessiné Par | BoxCad: BoxCad | Date 20-Aug-14 |
| Material Matière | 16 Ga Cold Rolled A1008 CS Type B (1.4mm) | |
| Color Couleur | Asa-61 Grey | Finish Fini Smooth |
| Description | Detail Rev. | |
| 5412ESM 14" x 12" x 8" Assembly | | |
| Part Number Numéro Pièce | 5412ESM141208 | Rev. 2 0 |

| PACKING | | |
|-----------------|-----|--|
| ITEM | QTY | DESCRIPTION |
| STK-E-04323 | 1 | CARTON 5412 ESCH141208 |
| Plastic bag | 1 | To protect cover surface and inside gasket |
| Packaging label | 1 | White label with product number |
| STK-S-01100 | 1 | ESCH EXM SQUARE STICKER |

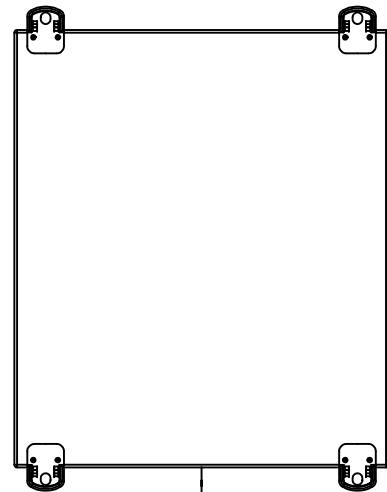
| Qty | Part Number | Rev | Description |
|------------|----------------|-----|-----------------------------|
| 1 | 5412ESM141208C | 0 | 5412ESM 14" x 12" Cover |
| 1 | 880 SP1412G | 0 | 880 SP1412G - Inner Panel |
| 1 | STK-K-02910 | 3 | 5412 ESCH Accessory Kit |
| 1 | 5412ESM141208B | 0 | 5412ESM 14" x 12" x 8" Body |
| 2 | STK-Q-08100 | 1 | M5 Nylon Insert Lock Nut |
| Parts List | | | |

This drawing is confidential and must not be reproduced or used without the consent of EXM

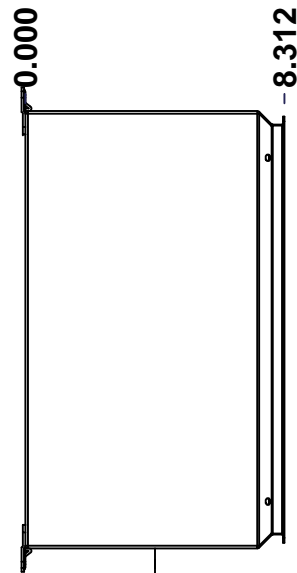
Ce dessin est confidentiel et ne doit pas être reproduit ou utilisé sans le consentement de EXM



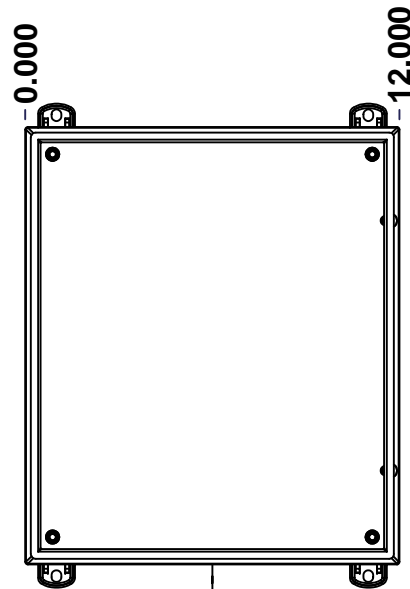
TOP



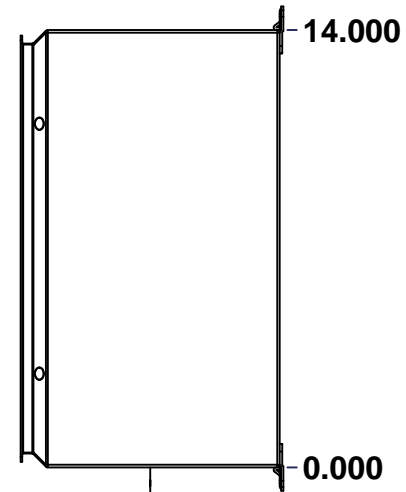
BACK



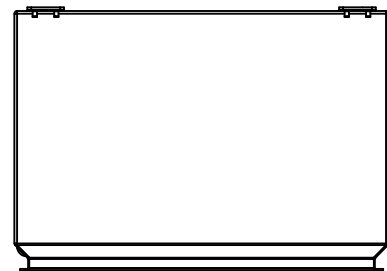
LEFT



FRONT

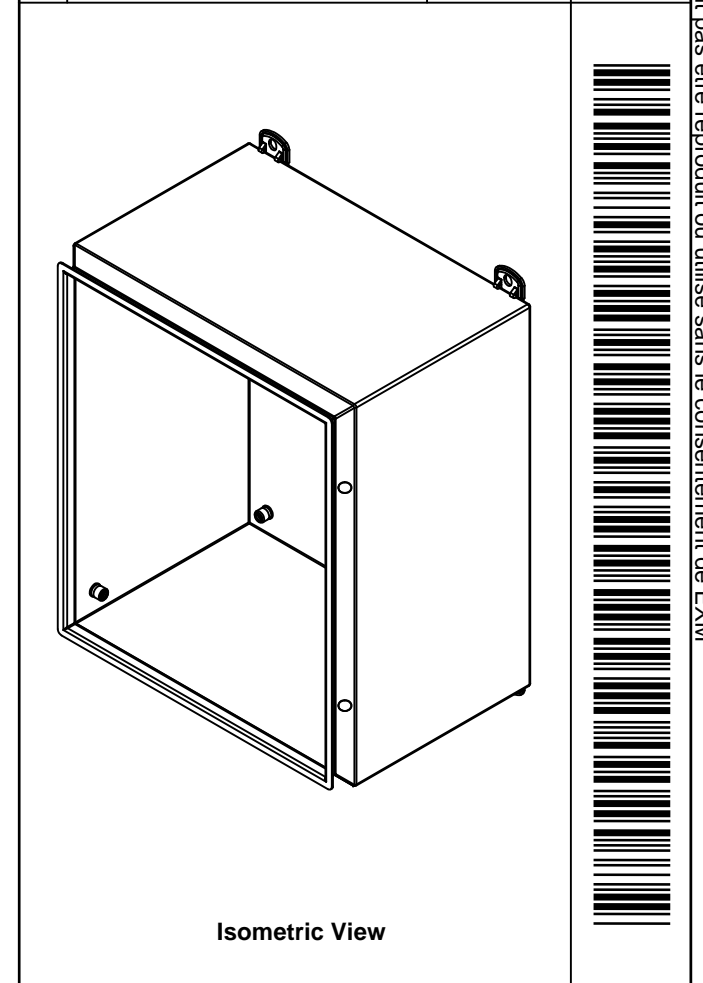


RIGHT





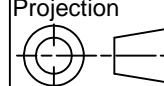
BOTTOM

| No. | Revisions | Date | By/Par |
|-----|-----------|------|--------|
| | | | |
| | | | |
| | | | |
| | | | |



Isometric View



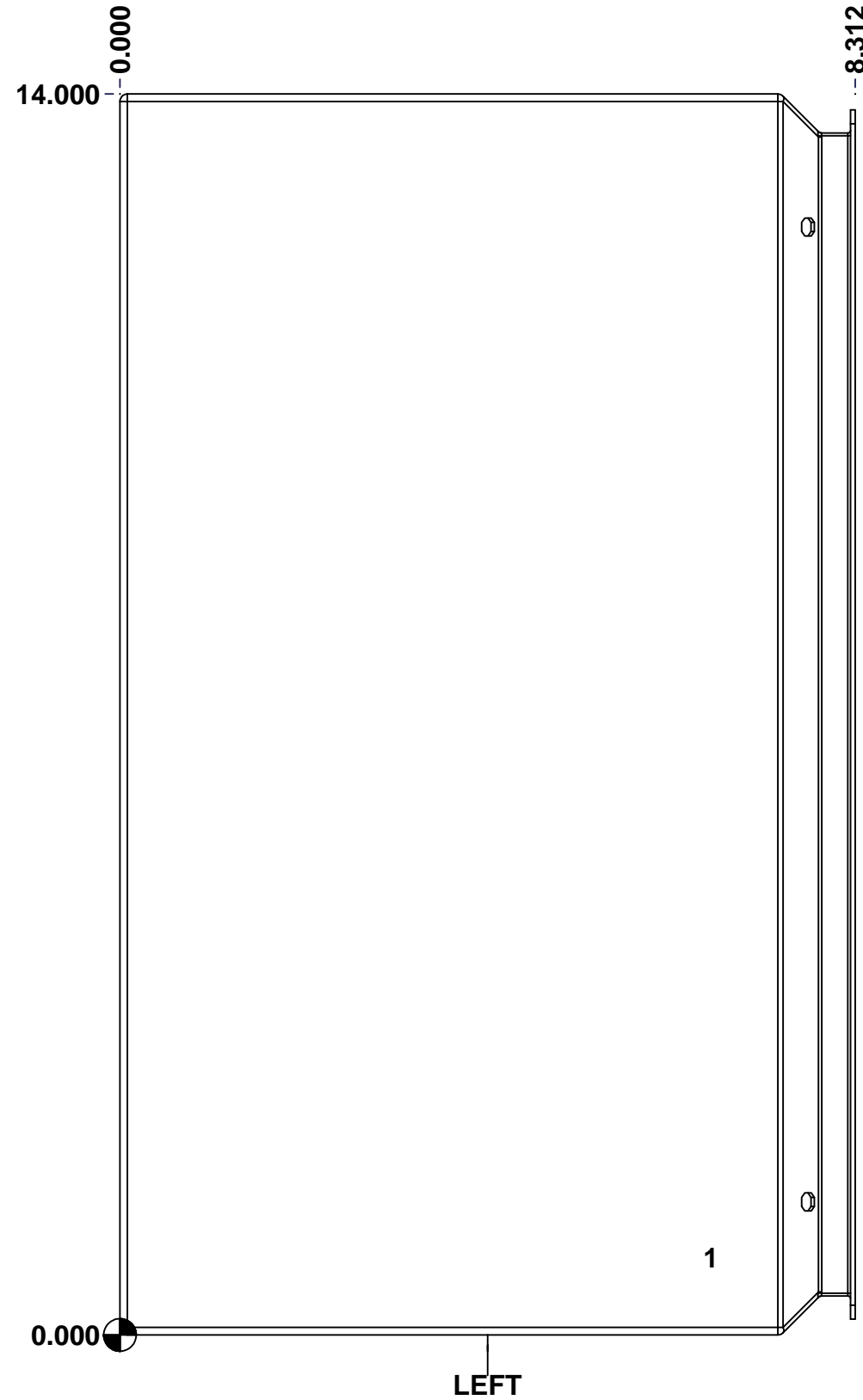
| | | |
|--|---|---|
|  Tél: (450) 979-4373 Fax: (450) 979-4626 www.exmweb.com | | Flatness Aplatissement  Max 3.0mm Projection  |
| Customer Client | Date | |
| Drawn By Dessiné Par | BoxCad: BoxCad | Date 20-Aug-14 |
| Material Matière | 16 Ga Cold Rolled A1008 CS Type B (1.4mm) | |
| Color Couleur | Asa-61 Grey | Finish Fini Smooth |
| Description | Detail Rev. | |
| 5412ESM 14" x 12" x 8" Body | | |
| Part Number Numéro Pièce | Rev. 0 | 1 / 7 |
| 5412ESM141208B | | |

SEE BILL OF MATERIAL ON LAST PAGE

This drawing is confidential and must not be reproduced or used without the consent of EXM

Ce dessin est confidentiel et ne doit pas être reproduit ou utilisé sans le consentement de EXM

| STANDARD FEATURES ARE NOT LISTED IN THIS HOLE TABLE | | | |
|--|-------|-------|-----------------------------|
| HOLE TABLE - LEFT VIEW (CUSTOM FEATURE ONLY) | | | |
| CUT-OUT | XDIM | YDIM | DESCRIPTION |
| 1 | 6.625 | 0.875 | STANDOFF M6 x 10mm (Inside) |



| | | |
|--|-----------------------------|----------|
| | Description | Status |
| | 5412ESM 14" x 12" x 8" Body | (NULL) |
| | Part Number Numéro Pièce | Rev. |
| | 5412ESM141208B | 0 |
| | | 5 / 7 |

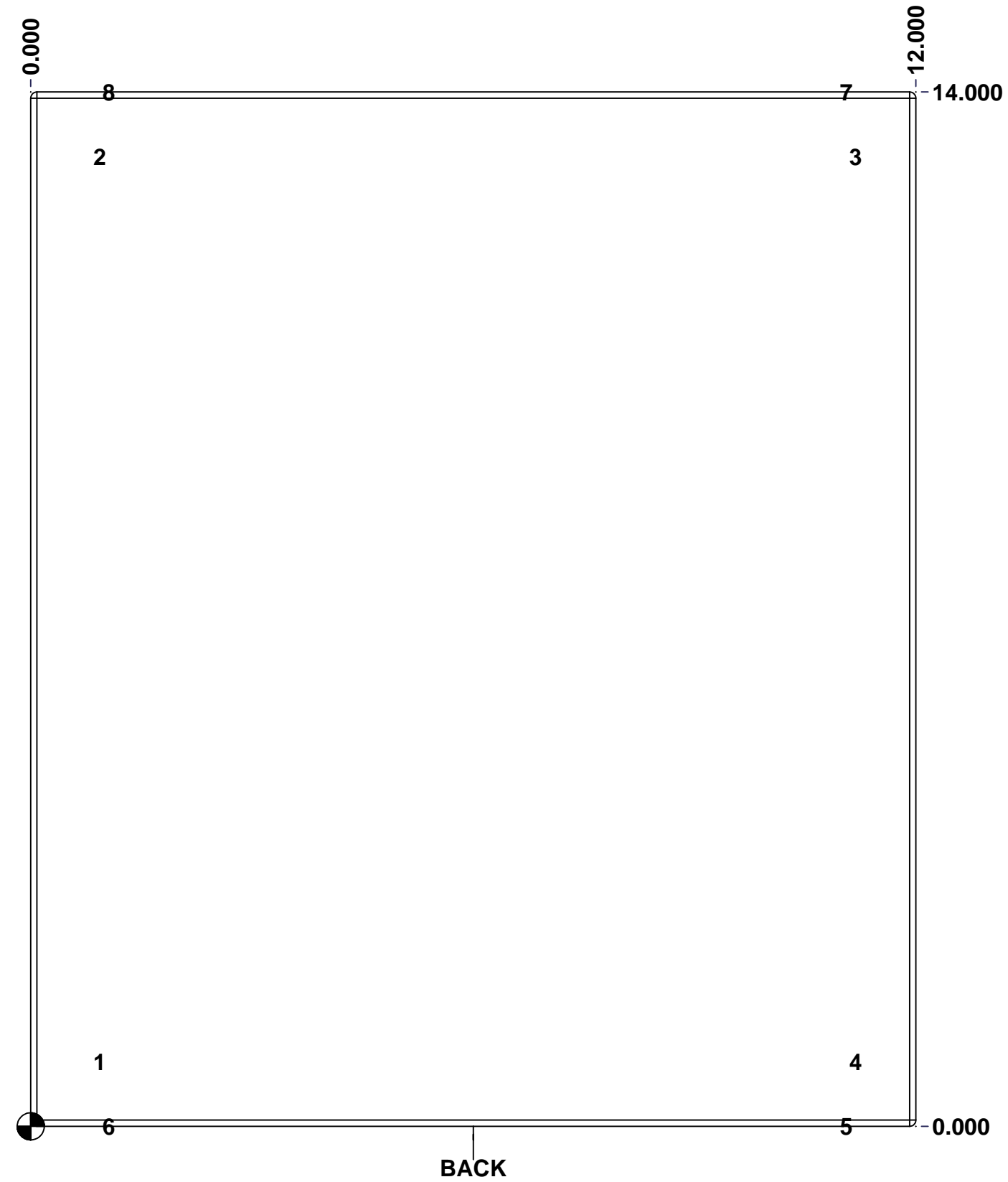
This drawing is confidential and must not be reproduced or used without the consent of EXM

Ce dessin est confidentiel et ne doit pas être reproduit ou utilisé sans le consentement de EXM

STANDARD FEATURES ARE NOT LISTED IN THIS HOLE TABLE

HOLE TABLE - BACK VIEW (CUSTOM FEATURE ONLY)

| CUT-OUT | XDIM | YDIM | DESCRIPTION |
|---------|--------|--------|--------------------------------|
| 1 | 0.875 | 0.875 | IP STANDOFF M6 x 10mm (Inside) |
| 2 | 0.875 | 13.125 | IP STANDOFF M6 x 10mm (Inside) |
| 3 | 11.125 | 13.125 | IP STANDOFF M6 x 10mm (Inside) |
| 4 | 11.125 | 0.875 | IP STANDOFF M6 x 10mm (Inside) |
| ----- | | | |
| 5 | 11.000 | 0.000 | FOOT 885 ESCHMF1 |
| 6 | 1.000 | 0.000 | FOOT 885 ESCHMF1 |
| 7 | 11.000 | 14.000 | FOOT 885 ESCHMF1 |
| 8 | 1.000 | 14.000 | FOOT 885 ESCHMF1 |

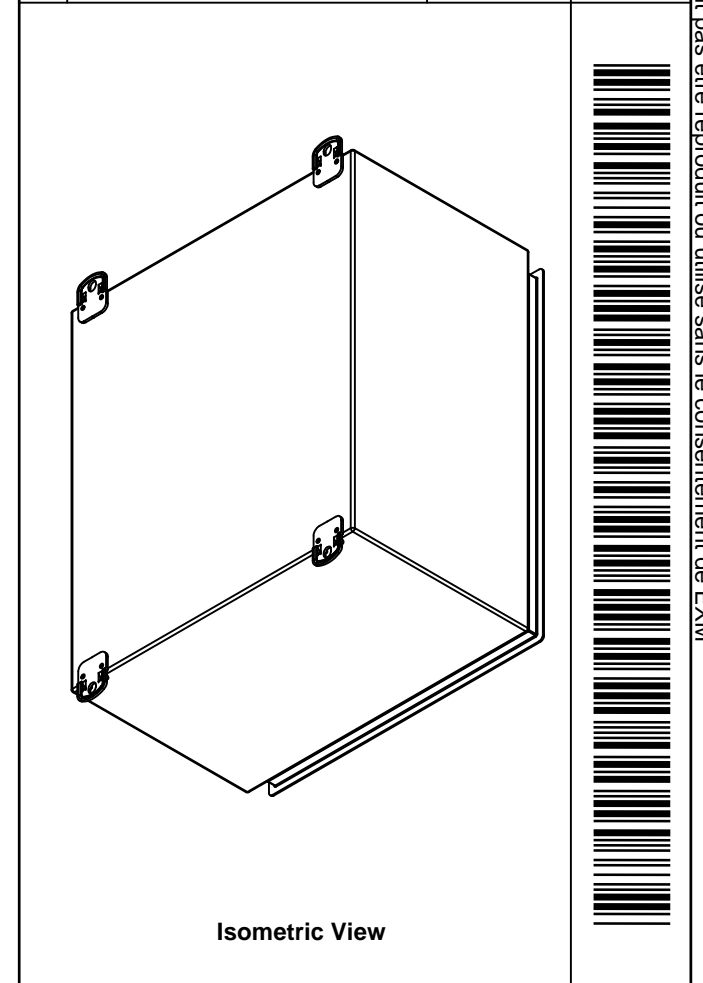


| | | |
|--|-----------------------------|----------|
| | Description | Status |
| | 5412ESM 14" x 12" x 8" Body | (NULL) |
| | Part Number | Rev. |
| | Numéro Pièce | 6 |
| | 5412ESM141208B | 0 |
| | | 7 |

This drawing is confidential and must not be reproduced or used without the consent of EXM

Ce dessin est confidentiel et ne doit pas être reproduit ou utilisé sans le consentement de EXM

| No. | Revisions | Date | By/Par |
|-----|-----------|------|--------|
| | | | |
| | | | |
| | | | |
| | | | |
| | | | |

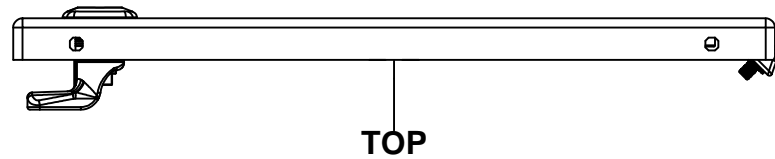


| | | | |
|--|--|---------------------------|--------------|
| Tél: (450) 979-4373 Fax: (450) 979-4626 www.exmweb.com | | Flatness Aplatissement | |
| | | Max 3.0mm Projection | |
| Customer Client | | Date | |
| Drawn By Dessiné Par BoxCad: BoxCad | | Date 20-Aug-14 | |
| Material Matière 16 Ga Cold Rolled A1008 CS Type B (1.4mm) | | | |
| Color Couleur Asa-61 Grey | | Finish Fini Smooth | |
| Description 5412ESM 14" x 12" x 8" Body | | | Detail Rev. |
| Part Number Numéro Pièce 5412ESM141208B | | Rev. | 7 <hr/> 7 |

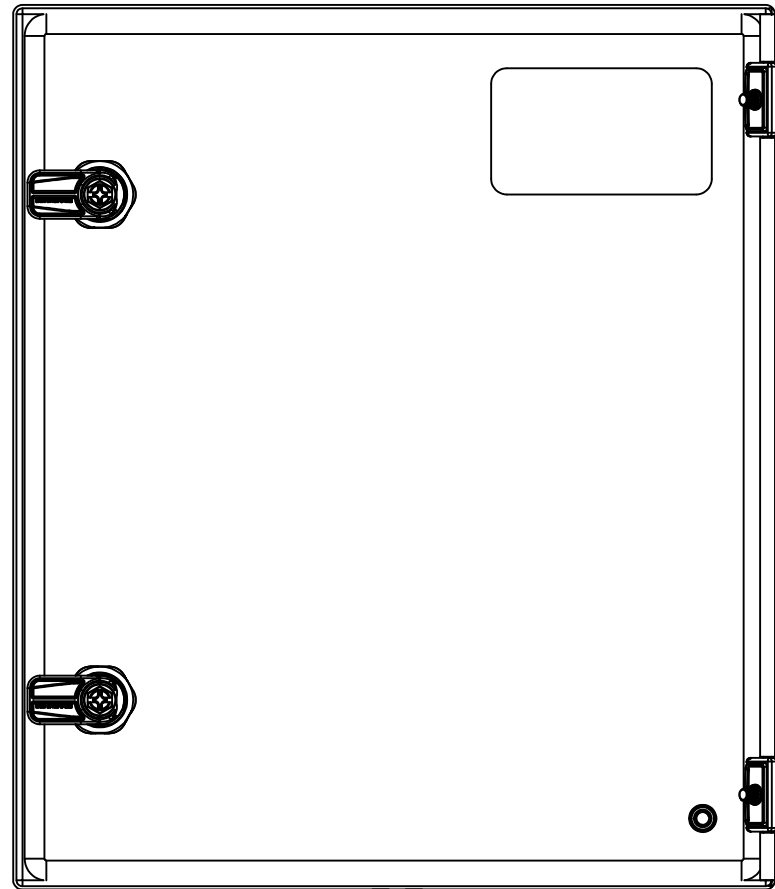
| | | | |
|------------|------------------|-----|--|
| 2 | STK-Q-00200 | 0 | M5 x 8mm Stainless Steel 316 Carriage Bolt with Nyseal |
| 2 | STK-Q-08112 | 3 | M5 Stainless Steel 304 Nylon Insert Dome Nut |
| 1 | STK-P-02400S | 0 | Powder Paint (Asa-61 Grey / Smooth) |
| 1 | 5412ESM141208B-P | 0 | 5412ESM 14" x 12" x 8" Body Part |
| 4 | STK-Q-71305 | 3 | 5412 ESMCH Stamped Mounting Foot |
| 5 | STK-Q-08350 | 5 | Standoff M6 x 10mm |
| Qty | Part Number | Rev | Description |
| Parts List | | | |

This drawing is confidential and must not be reproduced or used without the consent of EXM

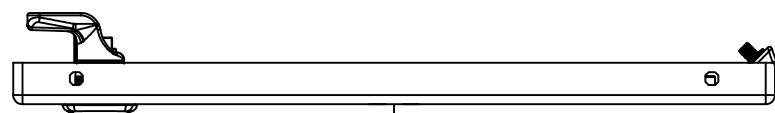
Ce dessin est confidentiel et ne doit pas être reproduit ou utilisé sans le consentement de EXM



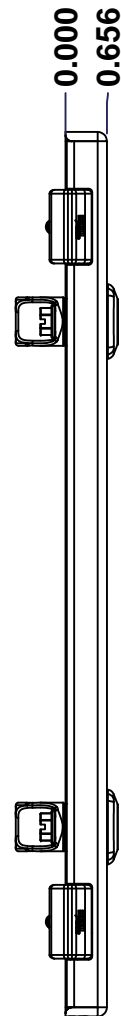
TOP



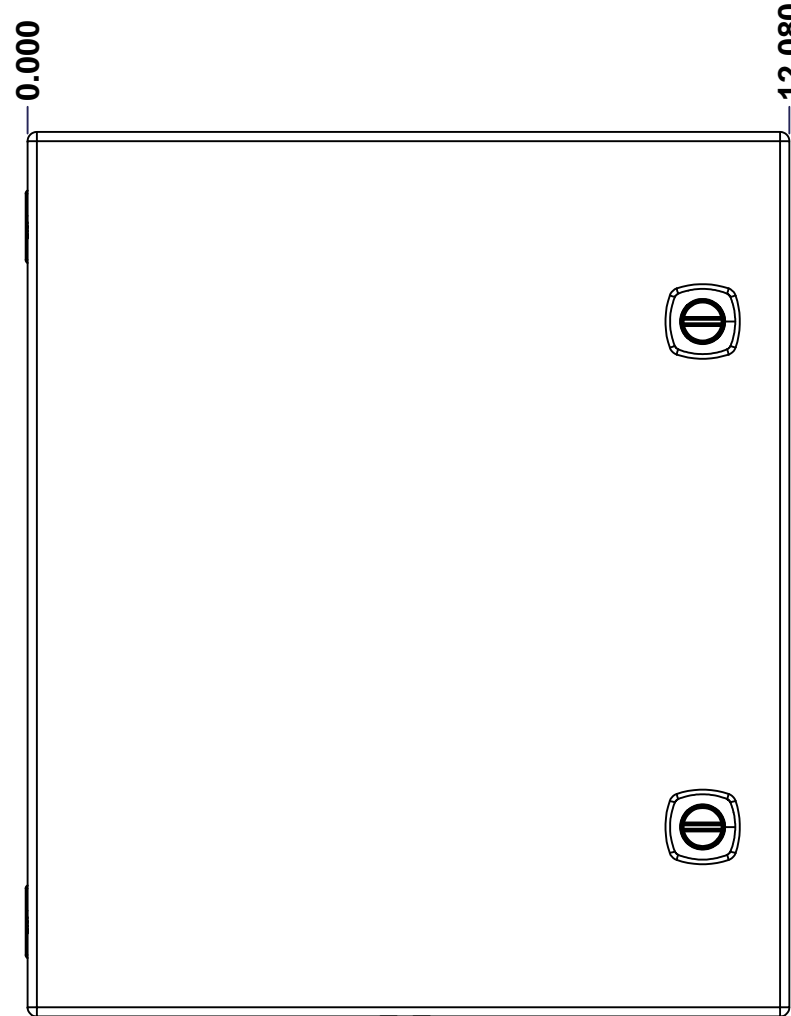
BACK



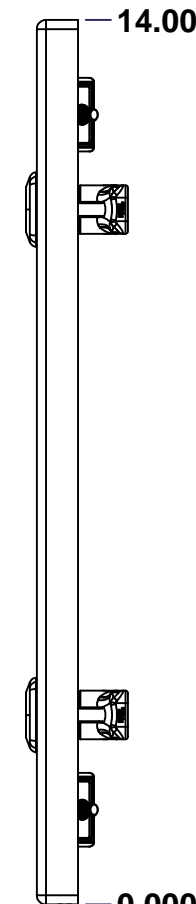
BOTTOM



LEFT

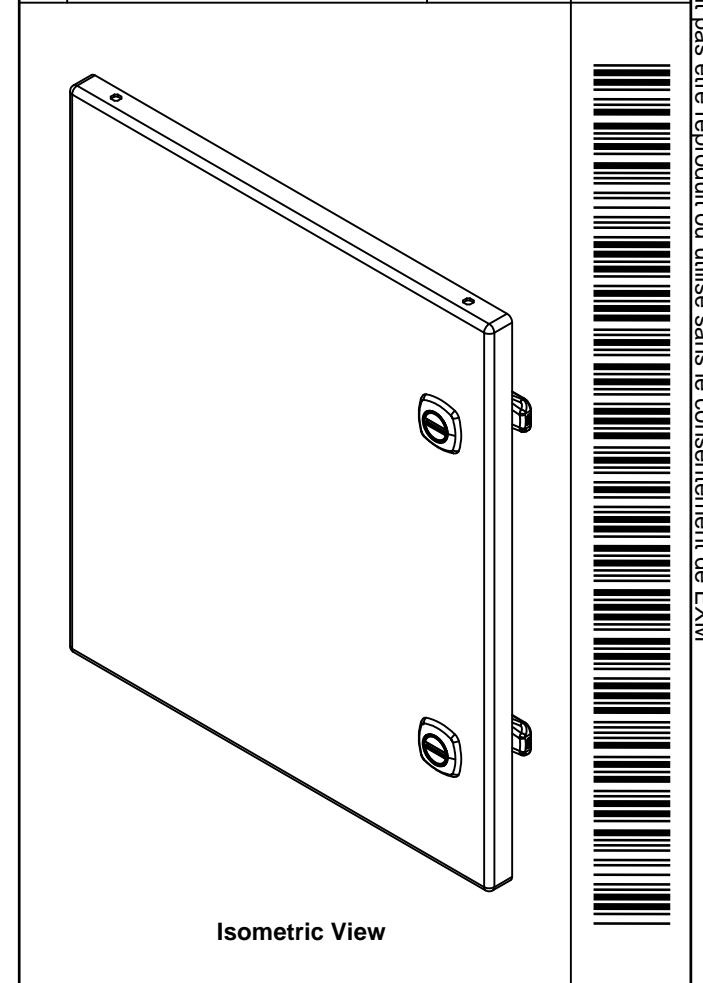


FRONT


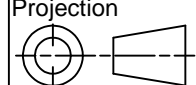


RIGHT

| No. | Revisions | Date | By/Par |
|-----|-----------|------|--------|
| | | | |
| | | | |
| | | | |
| | | | |



Isometric View

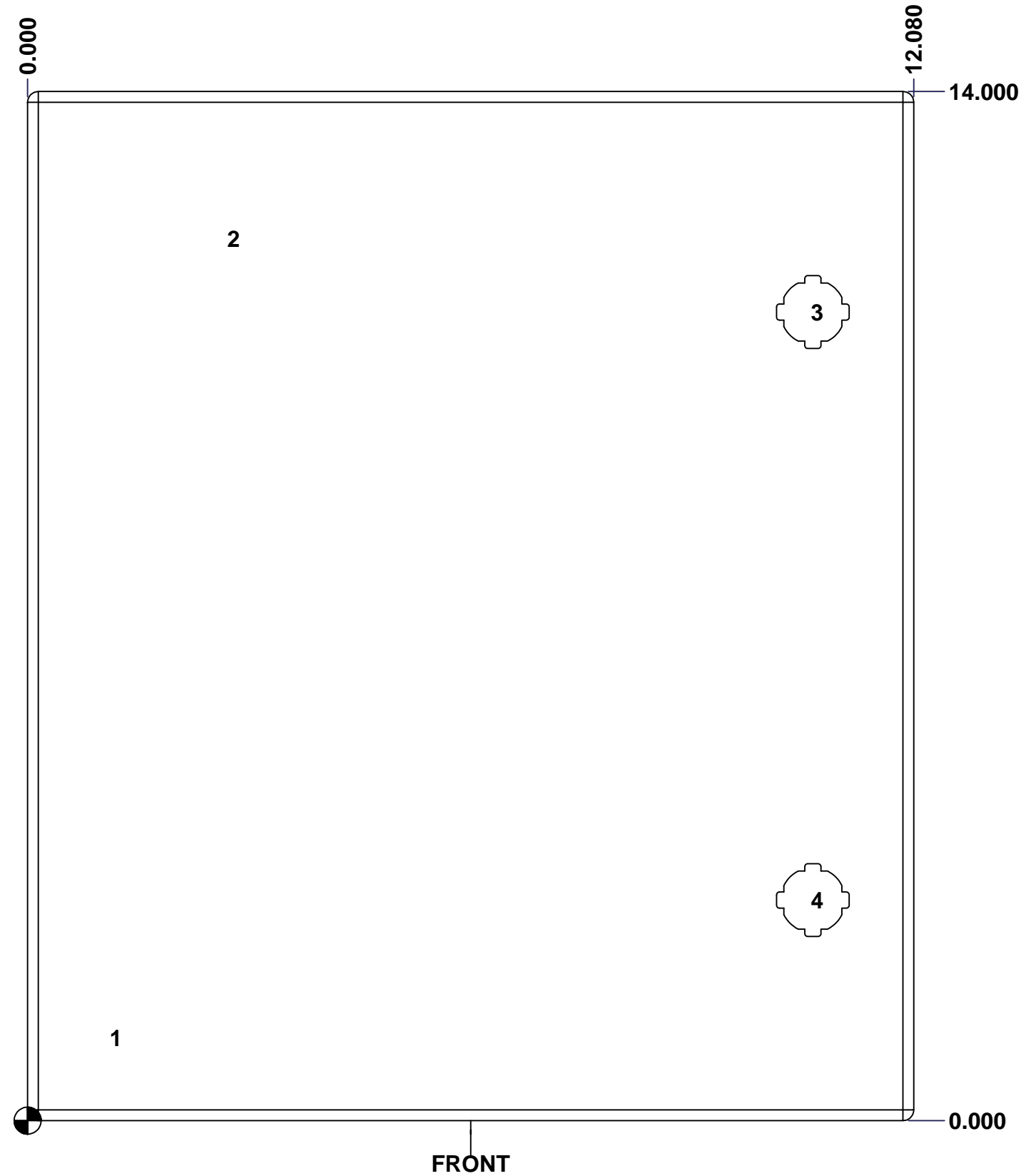
| | | |
|--|---|---|
|  Tél: (450) 979-4373 Fax: (450) 979-4626 www.exmweb.com | | Flatness Aplatissement Max 3.0mm Projection  |
| Customer Client | Date | |
| Drawn By Dessiné Par | BoxCad: BoxCad | Date 20-Aug-14 |
| Material Matière | 16 Ga Cold Rolled A1008 CS Type B (1.4mm) | |
| Color Couleur | Asa-61 Grey | Finish Fini Smooth |
| Description | Detail Rev. | |
| 5412ESM 14" x 12" Cover | | |
| Part Number Numéro Pièce | Rev. 0 | 1 / 3 |
| 5412ESM141208C | | |

SEE BILL OF MATERIAL ON LAST PAGE

This drawing is confidential and must not be reproduced or used without the consent of EXM

Ce dessin est confidentiel et ne doit pas être reproduit ou utilisé sans le consentement de EXM

| STANDARD FEATURES ARE NOT LISTED IN THIS HOLE TABLE | | | |
|---|--------|--------|-----------------------------|
| HOLE TABLE - FRONT VIEW (CUSTOM FEATURE ONLY) | | | |
| CUT-OUT | XDIM | YDIM | DESCRIPTION |
| 1 | 1.145 | 1.125 | STANDOFF M6 x 10mm (Inside) |
| 2 | 2.750 | 12.000 | LABEL_EXM |
| 3 | 10.705 | 11.000 | LOCK 880 SCQ4-SL @ 0.0° |
| 4 | 10.705 | 3.000 | LOCK 880 SCQ4-SL @ 0.0° |



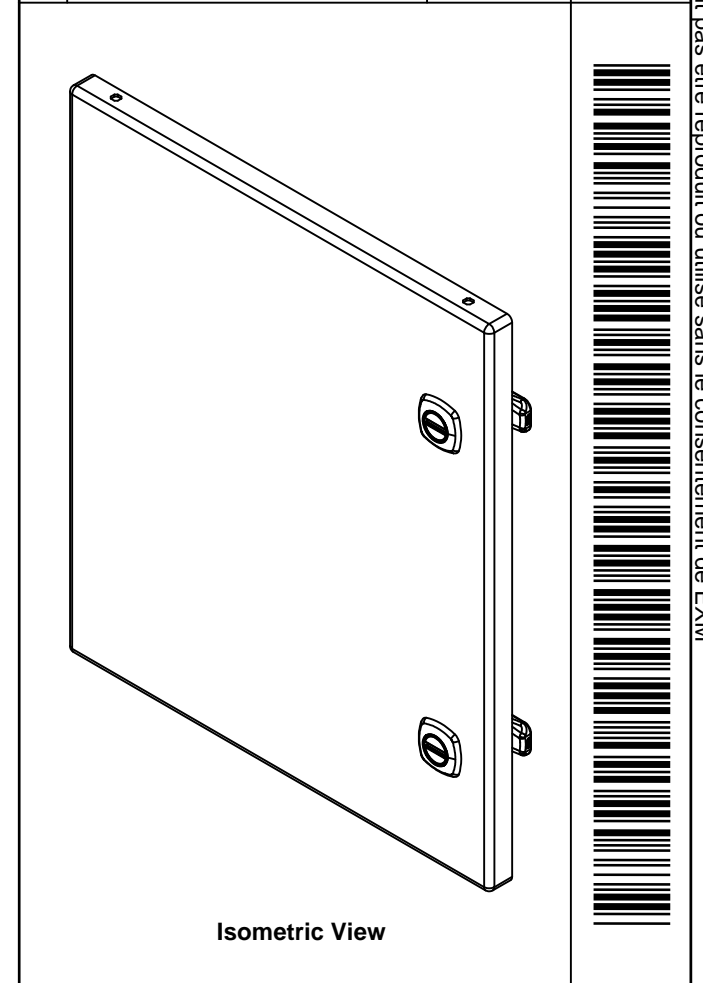
FRONT

| | | | |
|--|-----------------------------|----------|--------|
| | Description | Status | |
| | 5412ESM 14" x 12" Cover | (NULL) | |
| | Part Number Numéro Pièce | Rev. | |
| | 5412ESM141208C | 0 | 2 3 |

This drawing is confidential and must not be reproduced or used without the consent of EXM

Ce dessin est confidentiel et ne doit pas être reproduit ou utilisé sans le consentement de EXM

| No. | Revisions | Date | By/Par |
|-----|-----------|------|--------|
| | | | |
| | | | |
| | | | |
| | | | |
| | | | |

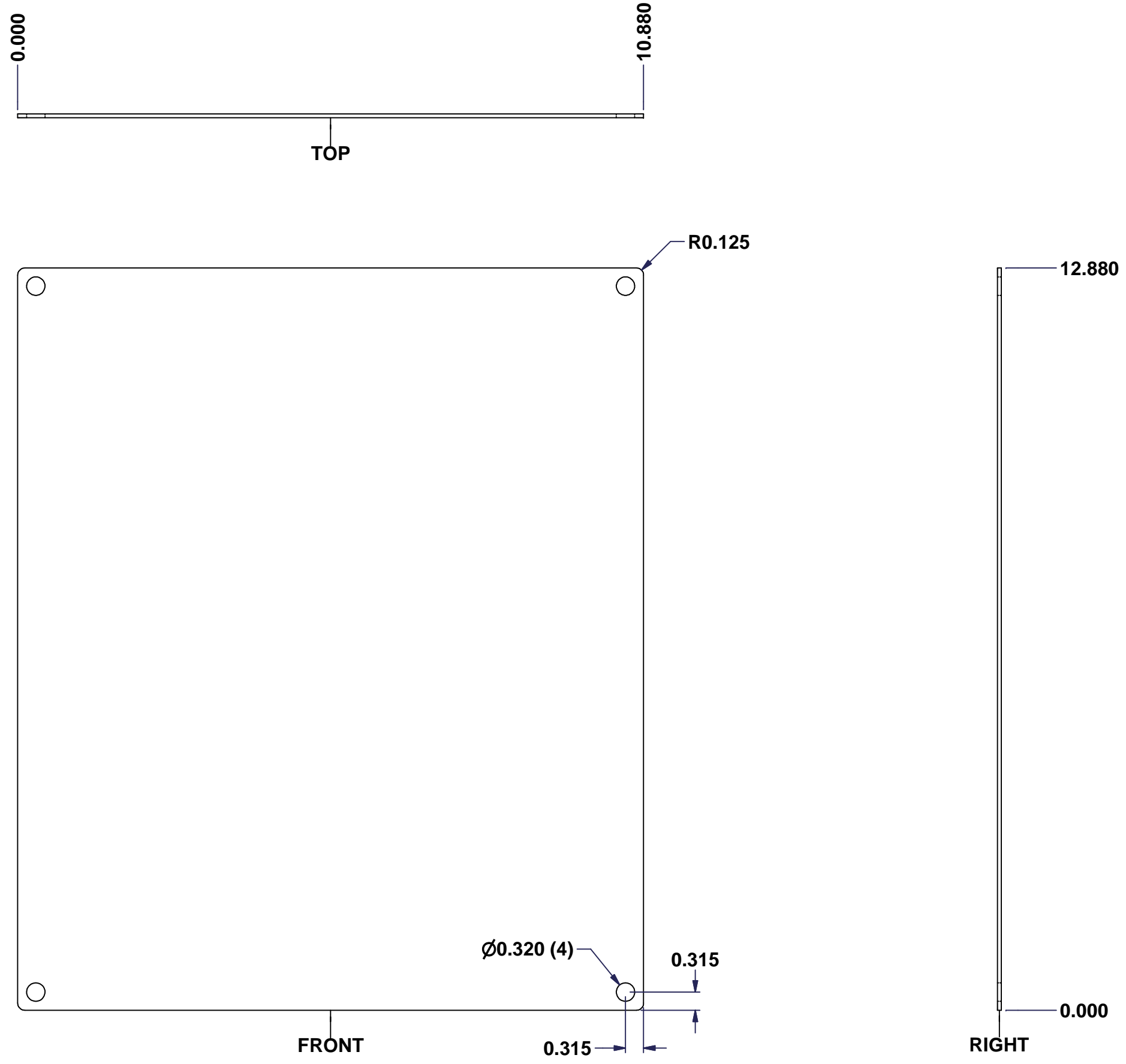


| | | | |
|--|--|---------------------------|-------------|
| Tél: (450) 979-4373 Fax: (450) 979-4626 www.exmweb.com | | Flatness Aplatissement | |
| | | Max 3.0mm Projection | |
| Customer Client | | Date | |
| Drawn By Dessiné Par BoxCad: BoxCad | | Date 20-Aug-14 | |
| Material Matière 16 Ga Cold Rolled A1008 CS Type B (1.4mm) | | | |
| Color Couleur Asa-61 Grey | | Finish Fini Smooth | |
| Description 5412ESM 14" x 12" Cover | | | Detail Rev. |
| Part Number Numéro Pièce 5412ESM141208C | | Rev. 0 | 3 3 |


| | | | |
|------------|------------------|-----|--|
| 1 | 5412ESM141208G | 0 | 5412ESM 14" x 12" Gasket |
| 1 | STK-S-00100 | 0 | 3.5" x 2" Silver Milar Flexcon Sticker |
| 1 | STK-Q-08350 | 5 | Standoff M6 x 10mm |
| 1 | STK-P-02400S | 0 | Powder Paint (Asa-61 Grey / Smooth) |
| 1 | 5412ESM141208C-P | 0 | 5412ESM 14" x 12" Cover Part |
| 2 | STK-A-33033 | 4 | 5412 ESMCH Hinge |
| 2 | 880 SCQ4-SL | 6 | 5412 ES 1/4 Turn Lock |
| Qty | Part Number | Rev | Description |
| Parts List | | | |

This drawing is confidential and must not be reproduced or used without the consent of EXM


Ce dessin est confidentiel et ne doit pas être reproduit ou utilisé sans le consentement de EXM


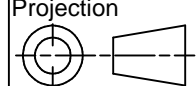


| No. | Revisions | Date | By/Par |
|-----|-----------|------|--------|
| | | | |
| | | | |
| | | | |
| | | | |



Isometric View



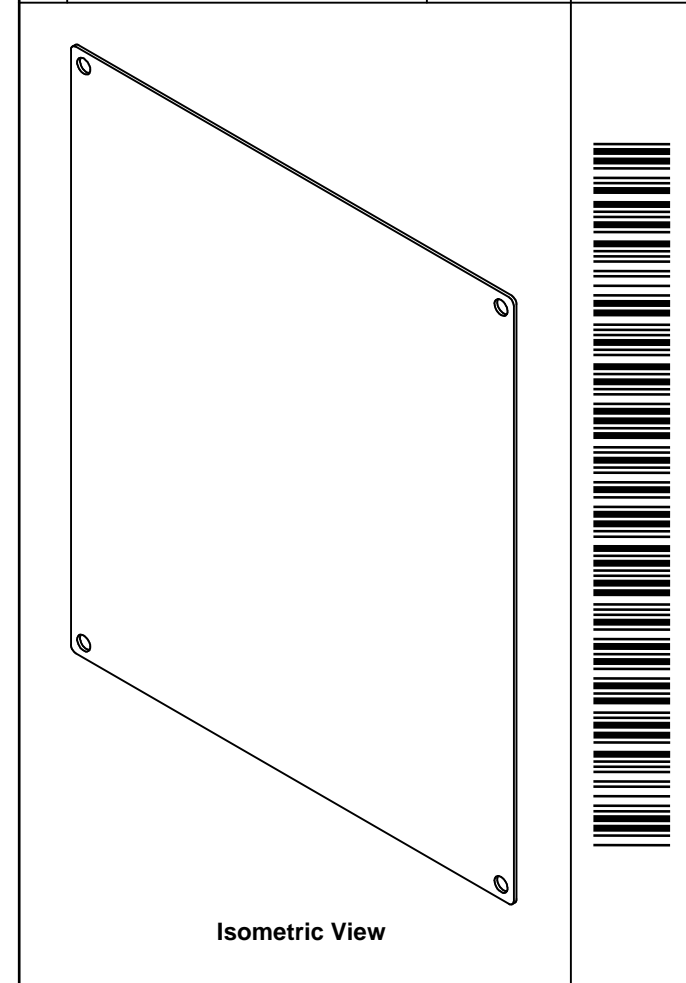
| | | |
|--|--------------------------|---------------------------|
|  Tél: (450) 979-4373 Fax: (450) 979-4626 www.exmweb.com | | Flatness Aplatissement |
| | | Max 3.0mm |
| Projection  | | |
| Customer Client | Date | |
| Drawn By Dessiné Par | BoxCad | Date 23-Jan-07 |
| Material Matière | 14 Ga Galvanized (1.7mm) | |
| Color Couleur | Unpainted | Finish Fini Galvanized |
| Description | Detail Rev. | |
| 880 SP1412G - Inner Panel | | |
| Part Number Numéro Pièce | Rev. | 1 |
| 880 SP1412G | 0 | 2 |


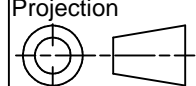
SEE BILL OF MATERIAL ON LAST PAGE

This drawing is confidential and must not be reproduced or used without the consent of EXM

Ce dessin est confidentiel et ne doit pas être reproduit ou utilisé sans le consentement de EXM

| No. | Revisions | Date | By/Par |
|-----|-----------|------|--------|
| | | | |
| | | | |
| | | | |
| | | | |
| | | | |



| | | |
|--|--------------------------|---|
|  Tél: (450) 979-4373 Fax: (450) 979-4626 www.exmweb.com | | Flatness Aplatissement Max 3.0mm Projection  |
| Customer Client | Date | |
| Drawn By Dessiné Par | BoxCad | Date 23-Jan-07 |
| Material Matière | 14 Ga Galvanized (1.7mm) | |
| Color Couleur | Unpainted | Finish Fini Galvanized |
| Description | Detail Rev. | |
| 880 SP1412G - Inner Panel | | |
| Part Number Numéro Pièce | Rev. 0 | 2 |
| 880 SP1412G | | 2 |

| Qty | Part Number | Rev | Description |
|------------|---------------|-----|--------------------------------|
| 1 | 880 SP1412G-P | 0 | 880 SP1412G - Inner Panel Part |
| Parts List | | | |