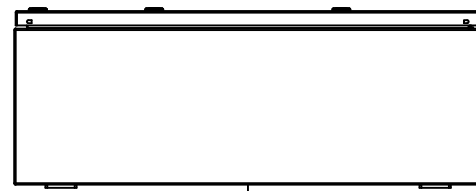


This drawing is confidential and must not be reproduced or used without the consent of EXM

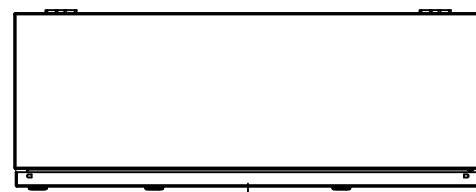
Ce dessin est confidentiel et ne doit pas être reproduit ou utilisé sans le consentement de EXM



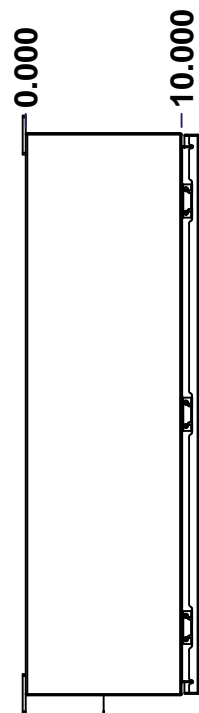
TOP



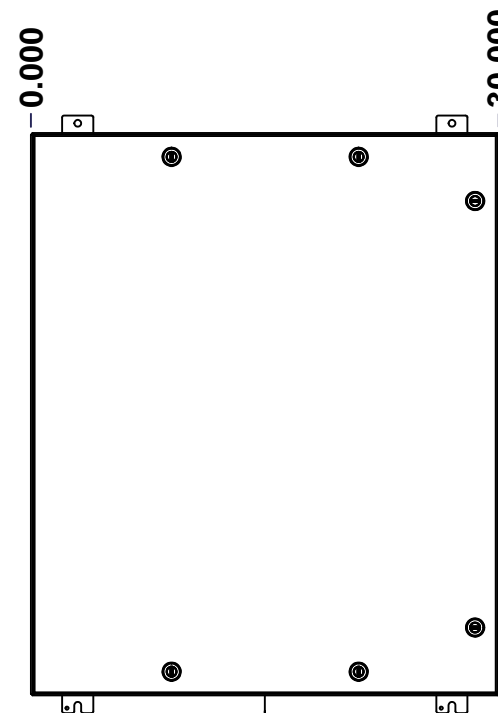
BACK



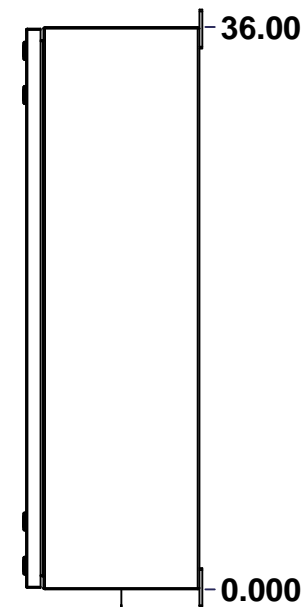
BOTTOM



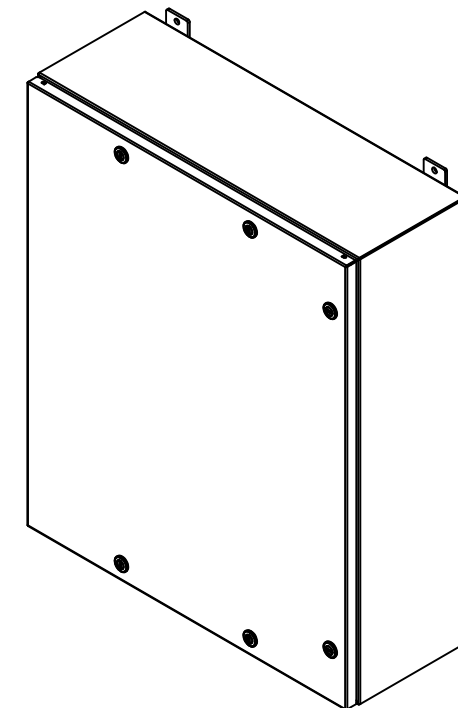
LEFT



FRONT



RIGHT



Isometric View



Tél: (450) 979-4373  
 Fax: (450) 979-4626  
[www.exmweb.com](http://www.exmweb.com)

Flatness  
 Aplatissement  
 Max 3.0mm  
 Projection

Customer Client  
 Drawn By Dessiné Par BoxCad: Annie  
 Date 24/04/2014

Material Matière 14 Ga H.R.P. & O. (1.7mm)

Color Couleur Asa-61 Grey  
 Finish Fini Smooth

Description 5412ESPR 36" x 30" x 10" Assembly  
 Detail Rev.

Part Number Numéro Pièce 5412ESPR363010  
 Rev. 0

SEE BILL OF MATERIAL ON LAST PAGE

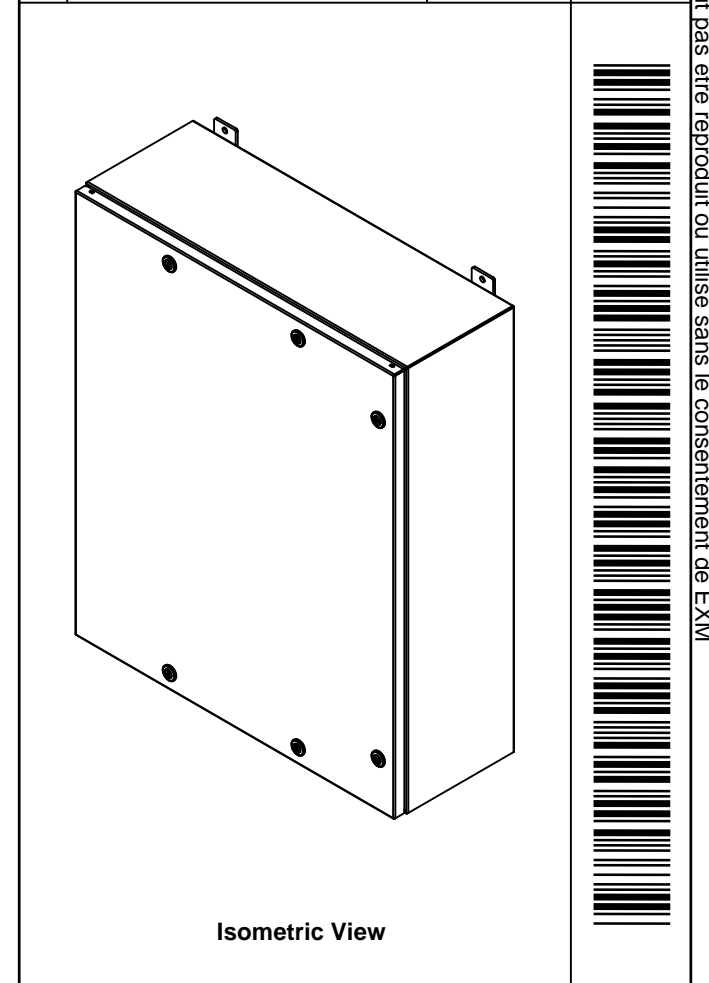
|   |
|---|
| 1 |
| 2 |


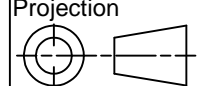
This drawing is confidential and must not be reproduced or used without the consent of EXM

Ce dessin est confidentiel et ne doit pas être reproduit ou utilisé sans le consentement de EXM

| NOTE |  |
|------|--|
| ITEM | DESCRIPTION                                |
| 1    | NEMA 4/12 Enclosure                        |
| 2    | C/W Standard ground studs on box and cover |
| 3    | W/O Standard door stiffener                |
| 4    | C/W Standard inner panel (Sold seperately) |
| 5    | C/W Standard inner panel mounting studs    |

| No. | Revisions | Date | By/Par |
|-----|-----------|------|--------|
|     |           |      |        |
|     |           |      |        |
|     |           |      |        |
|     |           |      |        |
|     |           |      |        |
|     |           |      |        |

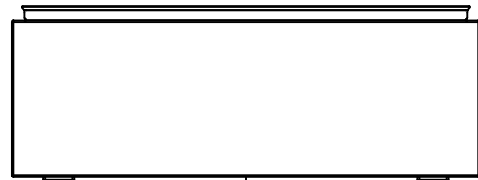


|  |                           |   |
|--|---------------------------|---|
|  Tél: (450) 979-4373<br>Fax: (450) 979-4626<br><a href="http://www.exmweb.com">www.exmweb.com</a> |                           | Flatness<br>Aplatissement<br>Max 3.0mm<br>Projection<br> |
| Customer<br>Client   | Date                      |   |
| Drawn By<br>Dessiné Par  | BoxCad: Annie             | Date 24/04/2014   |
| Material<br>Matière  | 14 Ga H.R.P. & O. (1.7mm) |   |
| Color<br>Couleur   | Asa-61 Grey               | Finish<br>Fini Smooth   |
| Description  |                           | Detail Rev.   |
| 5412ESPR 36" x 30" x 10" Assembly  |                           |   |
| Part Number<br>Numéro Pièce  | Rev.                      | 2   |
| <b>5412ESPR363010</b>  | <b>0</b>                  | <b>2</b>  |

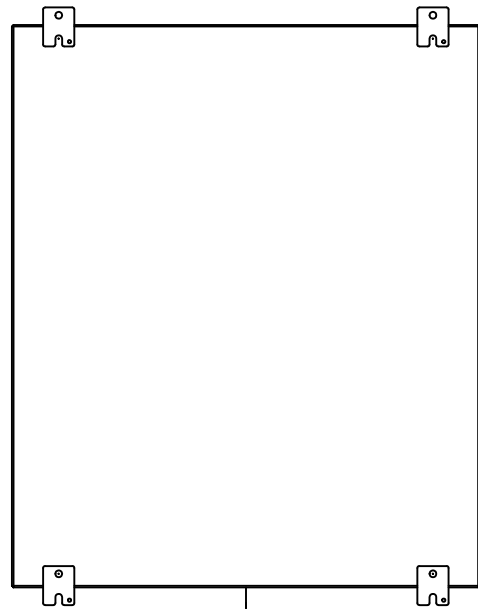
| Qty        | Part Number     | Rev | Description                       |
|------------|-----------------|-----|-----------------------------------|
| 1          | 880 PP          | 0   | Self Adhesive Print Pocket        |
| 1          | STK-K-01800     | 0   | 5412 ES Accessory Kit             |
| 6          | STK-Q-03000     | 0   | M5 x 8mm Phillips Flat Head Screw |
| 1          | 881 SP3630      | 0   | 881 SP - Inner Panel              |
| 1          | 5412ESPR363010C | 0   | 5412ESPR 36" x 30" Cover          |
| 6          | STK-Q-07310     | 2   | Flange Lock Nut M8                |
| 6          | STK-Q-07610     | 7   | M8 Plastic Spacer 22.2mm          |
| 1          | 5412ESPR363010B | 0   | 5412ESPR 36" x 30" x 10" Body     |
| Parts List |                 |     |                                   |

This drawing is confidential and must not be reproduced or used without the consent of EXM

Ce dessin est confidentiel et ne doit pas être reproduit ou utilisé sans le consentement de EXM



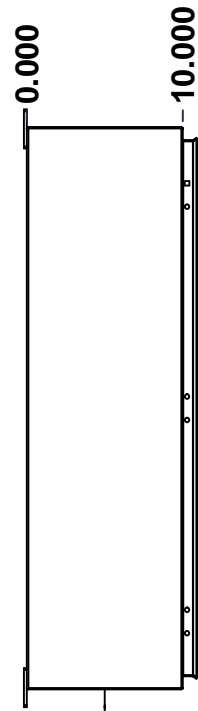
TOP



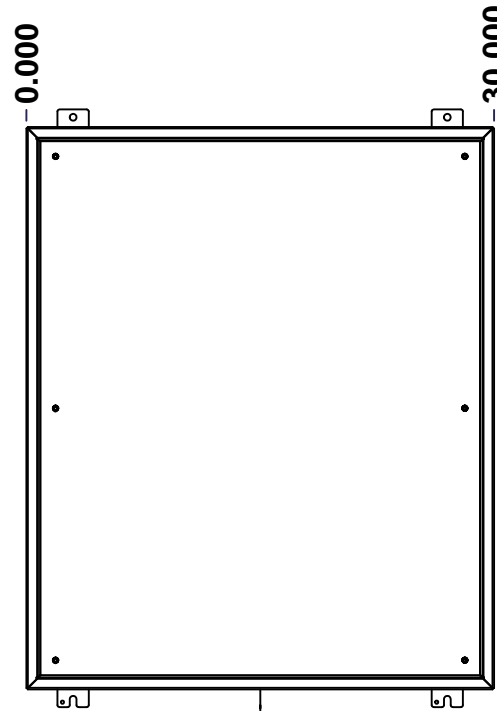
BACK



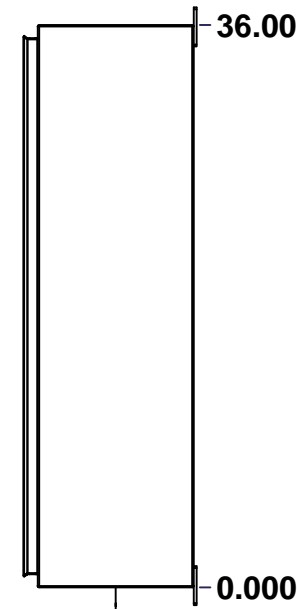
BOTTOM



LEFT

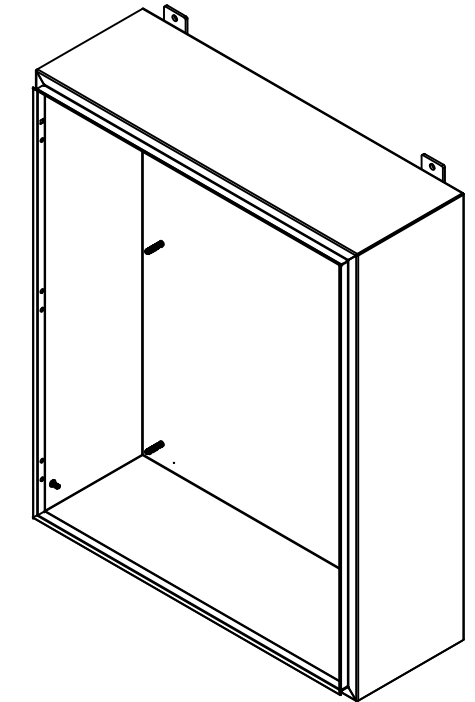


FRONT



RIGHT

| No. | Revisions | Date | By/Par |
|-----|-----------|------|--------|
|     |           |      |        |
|     |           |      |        |
|     |           |      |        |
|     |           |      |        |



Isometric View



Tél: (450) 979-4373  
 Fax: (450) 979-4626  
[www.exmweb.com](http://www.exmweb.com)

Flatness  
 Aplatissement  
 Max 3.0mm  
 Projection

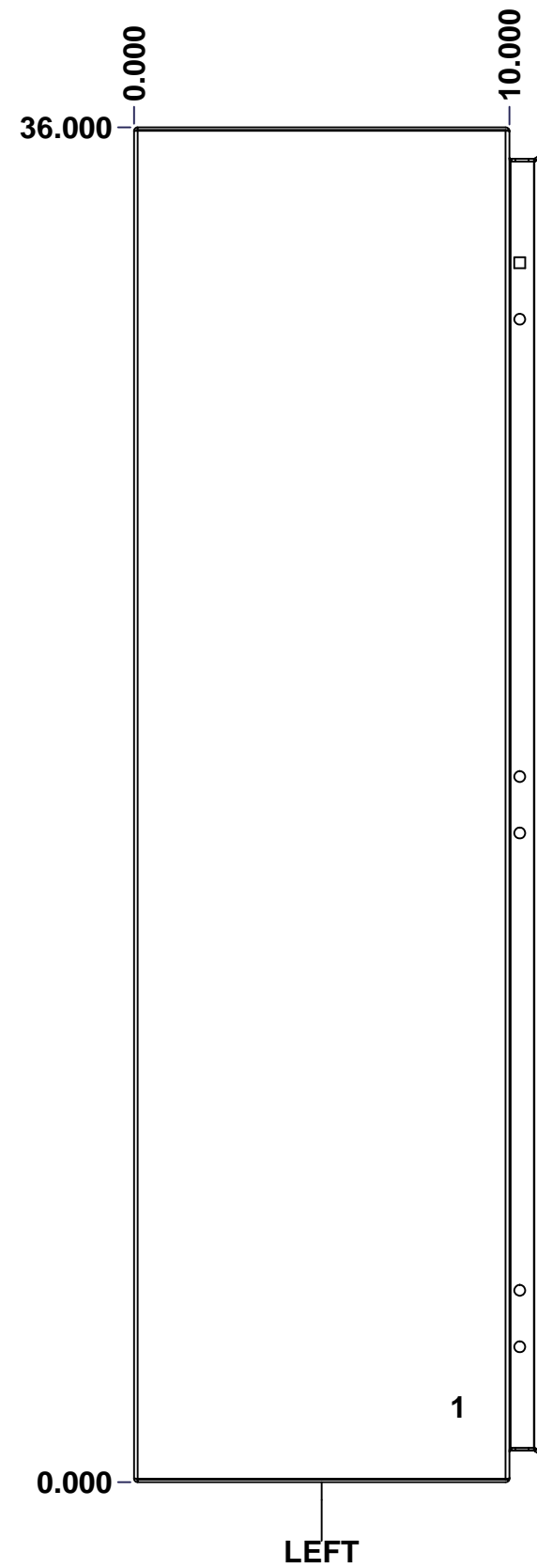
|   |                       |
|---|-----------------------|
| Customer Client                               | Date                  |
| Drawn By / Dessiné Par: BoxCad: Annie         | Date: 24/04/2014      |
| Material / Matière: 14 Ga H.R.P. & O. (1.7mm) |                       |
| Color / Couleur: Asa-61 Grey                  | Finish / Fini: Smooth |
| Description: 5412ESPR 36" x 30" x 10" Body    |                       |
| Part Number / Numéro Pièce: 5412ESPR363010B   | Detail Rev.:          |
| Rev. 0  | 1 / 7                 |

SEE BILL OF MATERIAL ON LAST PAGE

This drawing is confidential and must not be reproduced or used without the consent of EXM

Ce dessin est confidentiel et ne doit pas être reproduit ou utilisé sans le consentement de EXM

| STANDARD FEATURES ARE NOT LISTED IN THIS HOLE TABLE |       |       |                             |
|---|-------|-------|-----------------------------|
| HOLE TABLE - LEFT VIEW (CUSTOM FEATURE ONLY)        |       |       |                             |
| CUT-OUT   | XDIM  | YDIM  | DESCRIPTION                 |
| 1   | 8.500 | 2.000 | GND STUD M6 x 16mm (Inside) |



|  |                               |          |
|--|-------------------------------|----------|
|  | Description                   | Status   |
|  | 5412ESPR 36" x 30" x 10" Body |          |
|  | Part Number<br>Numéro Pièce   | Rev.     |
|  | <b>5412ESPR363010B</b>        | <b>0</b> |
|  |                               | 5 / 7    |

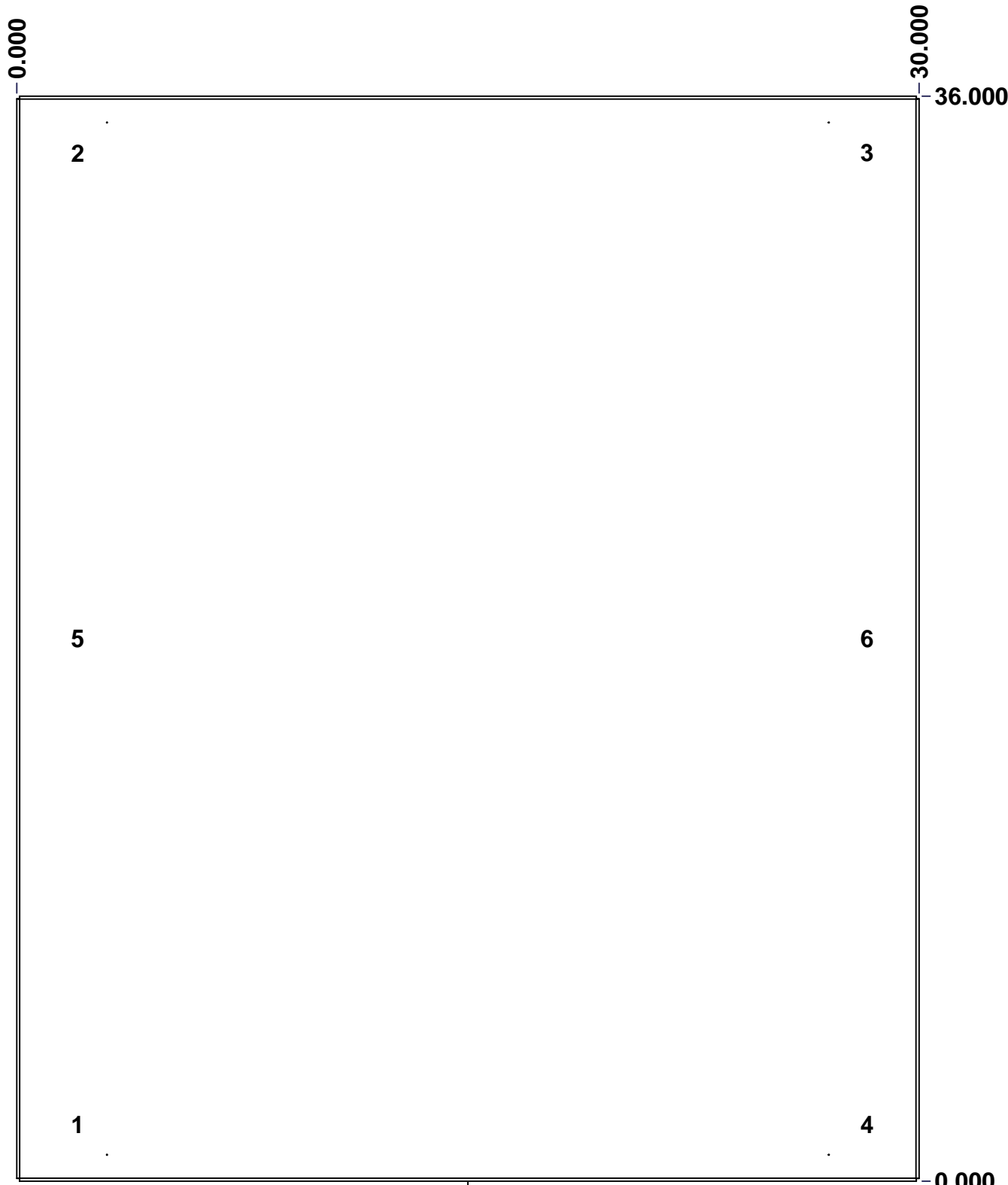
This drawing is confidential and must not be reproduced or used without the consent of EXM

Ce dessin est confidentiel et ne doit pas être reproduit ou utilisé sans le consentement de EXM

**STANDARD FEATURES ARE NOT LISTED IN THIS HOLE TABLE**

**HOLE TABLE - BACK VIEW (CUSTOM FEATURE ONLY)**

| CUT-OUT | XDIM   | YDIM   | DESCRIPTION                |
|---------|--------|--------|----------------------------|
| 1       | 1.875  | 1.875  | IP STUD M8 x 35mm (Inside) |
| 2       | 1.875  | 34.125 | IP STUD M8 x 35mm (Inside) |
| 3       | 28.125 | 34.125 | IP STUD M8 x 35mm (Inside) |
| 4       | 28.125 | 1.875  | IP STUD M8 x 35mm (Inside) |
| 5       | 1.875  | 18.000 | IP STUD M8 x 35mm (Inside) |
| 6       | 28.125 | 18.000 | IP STUD M8 x 35mm (Inside) |



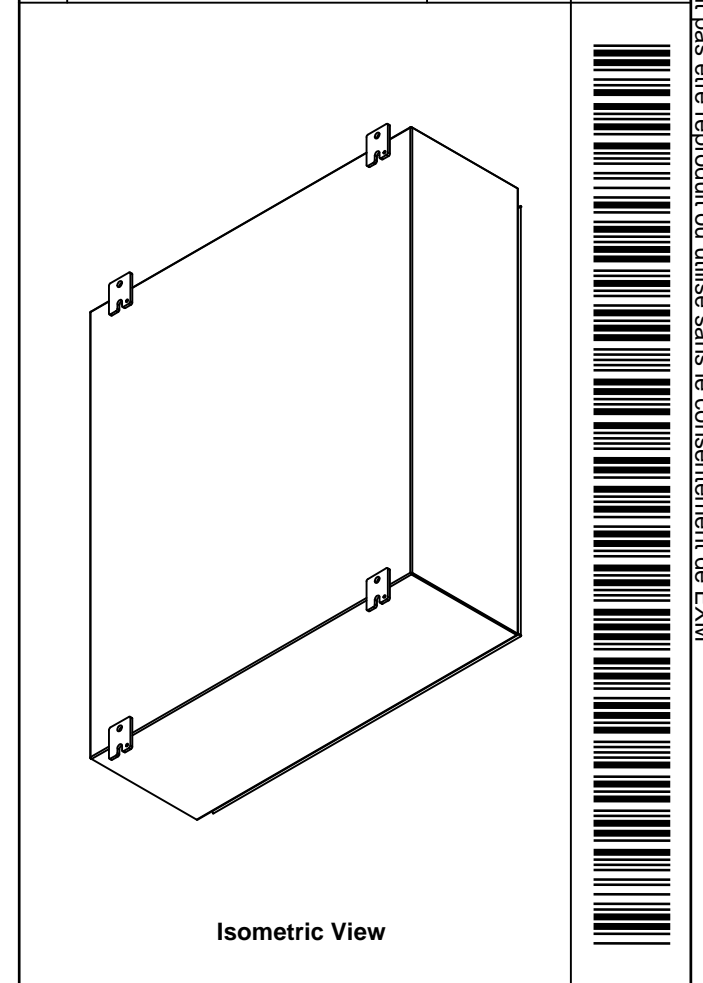
BACK


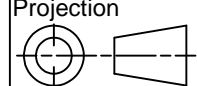
|  |                               |          |
|--|-------------------------------|----------|
|  | Description                   | Status   |
|  | 5412ESPR 36" x 30" x 10" Body |          |
|  | Part Number<br>Numéro Pièce   | Rev.     |
|  | <b>5412ESPR363010B</b>        | <b>0</b> |
|  |                               | 6 / 7    |

This drawing is confidential and must not be reproduced or used without the consent of EXM

Ce dessin est confidentiel et ne doit pas être reproduit ou utilisé sans le consentement de EXM

| No. | Revisions | Date | By/Par |
|-----|-----------|------|--------|
|     |           |      |        |
|     |           |      |        |
|     |           |      |        |
|     |           |      |        |
|     |           |      |        |

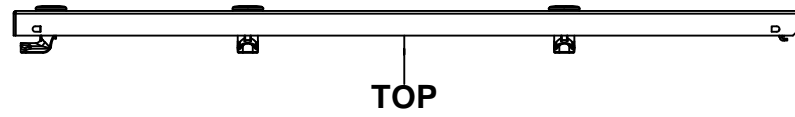


|  |                           |   |
|--|---------------------------|---|
|  Tél: (450) 979-4373<br>Fax: (450) 979-4626<br><a href="http://www.exmweb.com">www.exmweb.com</a> |                           | Flatness<br>Aplatissement<br>Max 3.0mm<br>Projection<br> |
| Customer<br>Client   | Date                      |   |
| Drawn By<br>Dessiné Par  | BoxCad: Annie             | Date 24/04/2014   |
| Material<br>Matière  | 14 Ga H.R.P. & O. (1.7mm) |   |
| Color<br>Couleur   | Asa-61 Grey               | Finish<br>Fini Smooth   |
| Description  |                           | Detail Rev.   |
| 5412ESPR 36" x 30" x 10" Body  |                           |   |
| Part Number<br>Numéro Pièce  | Rev. 0                    | 7   |
| <b>5412ESPR363010B</b>   |                           | 7   |

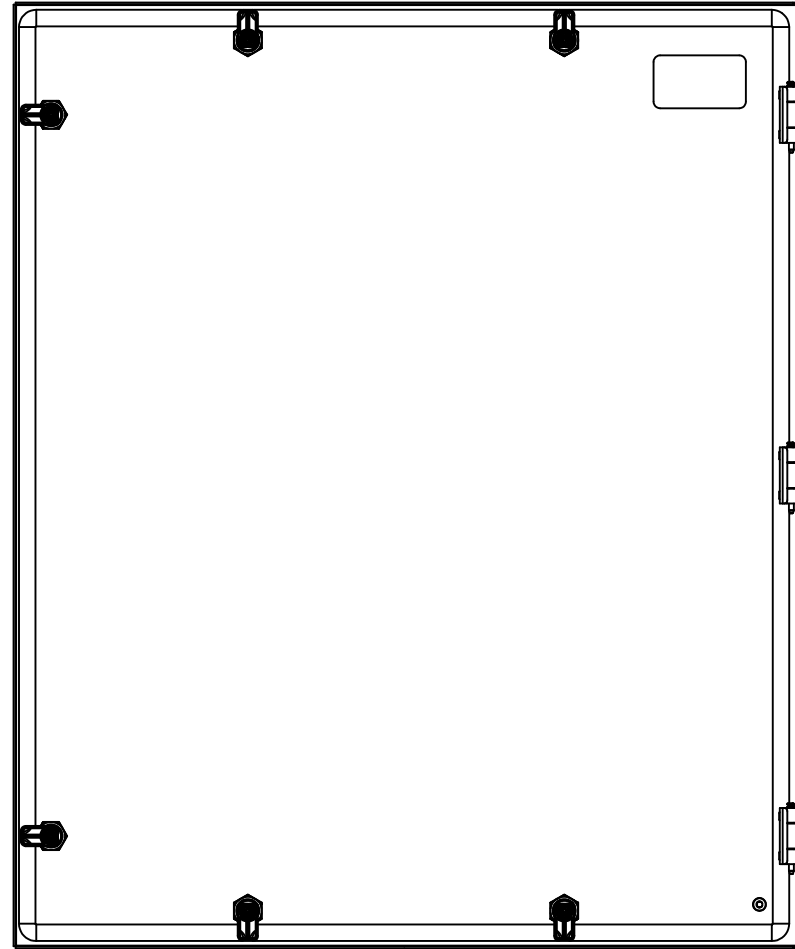
| Qty        | Part Number       | Rev   | Description                          |
|------------|-------------------|-------|--------------------------------------|
| 1          | STK-P-02400S      | 0     | Powder Paint (Asa-61 Grey / Smooth)  |
| 4          | STK-Q-71000       | 0     | Steel Mounting Tab                   |
| 6          | STK-Q-16005       | 1     | Stud M8 x 35 (No Paint Cap Required) |
| 1          | STK-Q-16080       | 0.1.1 | M6 x 16mm Ground Stud                |
| 1          | 5412ESPR363010B-P | 0     | 5412ESPR 36" x 30" x 10" Body Part   |
| Parts List |                   |       |                                      |

This drawing is confidential and must not be reproduced or used without the consent of EXM

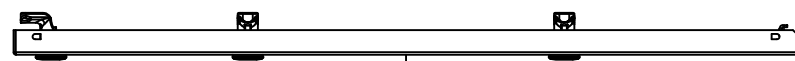
Ce dessin est confidentiel et ne doit pas être reproduit ou utilisé sans le consentement de EXM



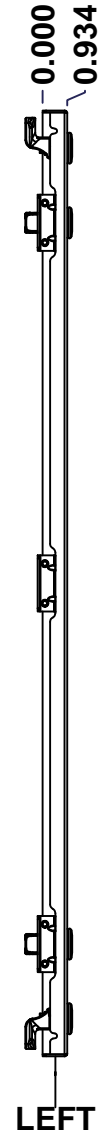
TOP



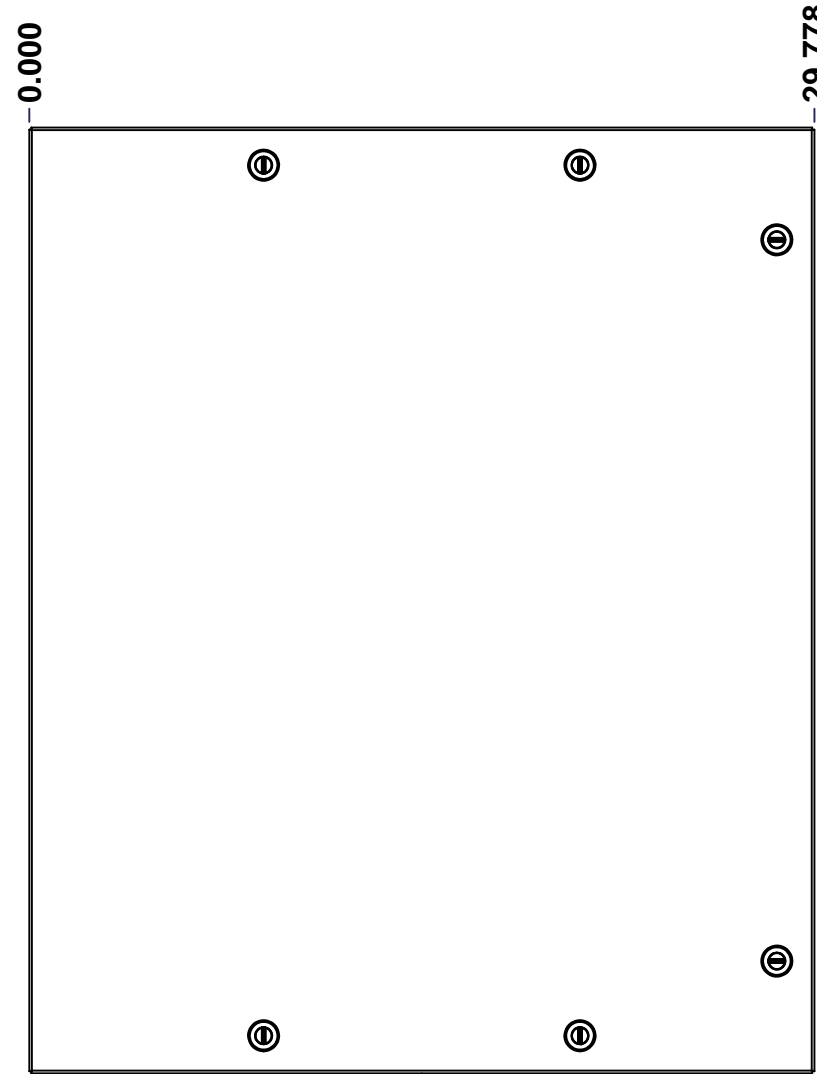
BACK



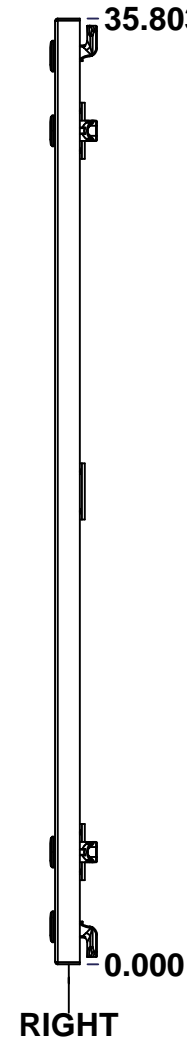
BOTTOM



LEFT

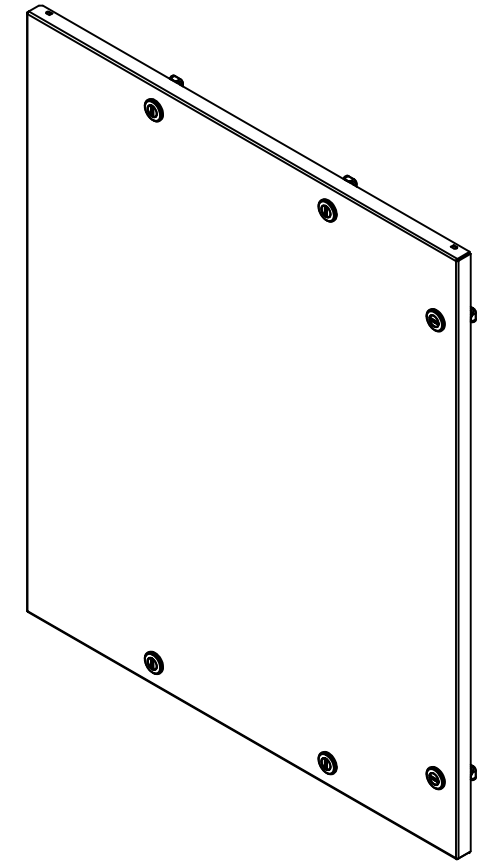


FRONT



RIGHT

| No. | Revisions | Date | By/Par |
|-----|-----------|------|--------|
|     |           |      |        |
|     |           |      |        |
|     |           |      |        |
|     |           |      |        |
|     |           |      |        |



Isometric View



Tél: (450) 979-4373  
 Fax: (450) 979-4626  
[www.exmweb.com](http://www.exmweb.com)

Flatness  
Aplatissement  
Max 3.0mm  
Projection

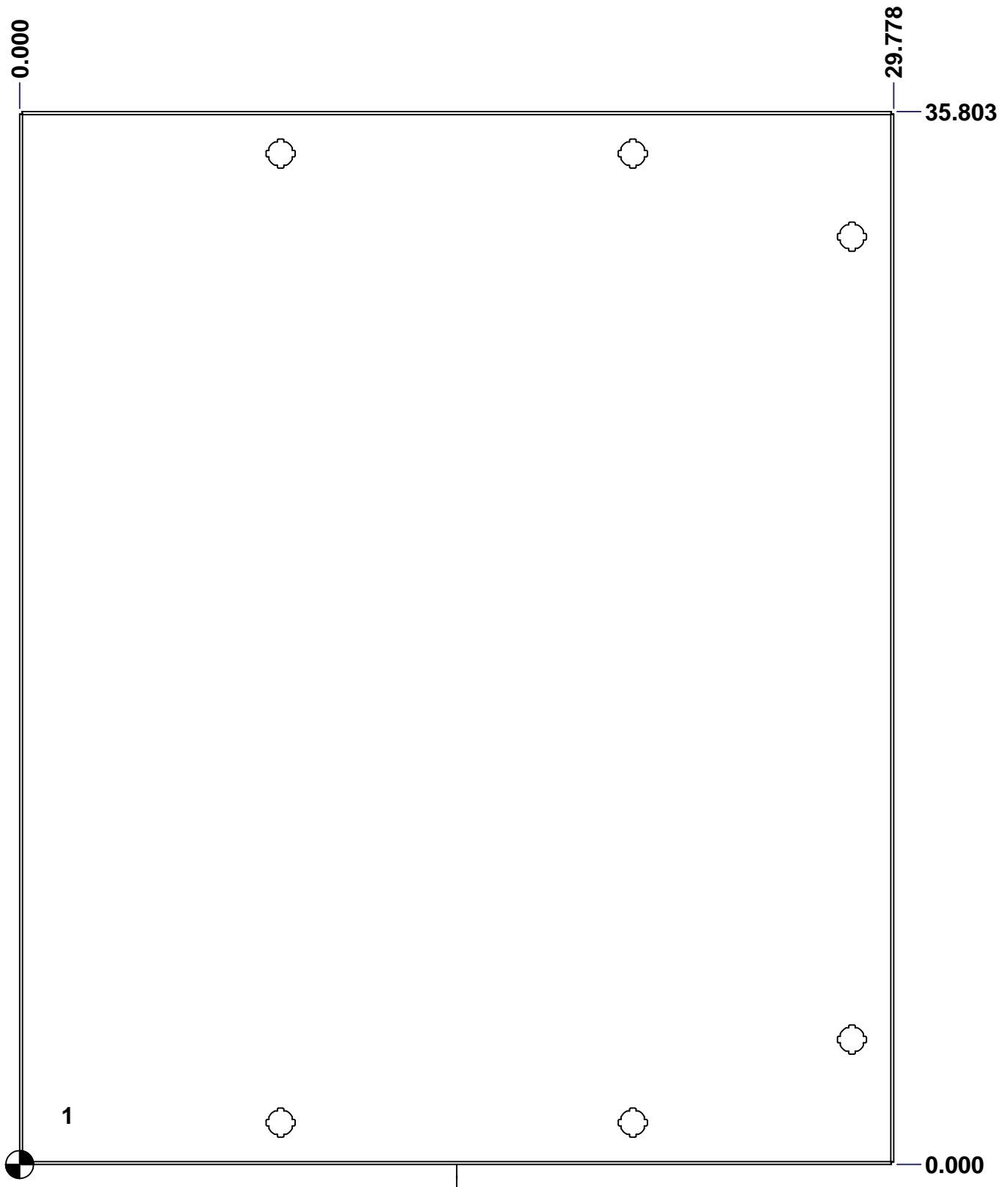
|  |                       |
|--|-----------------------|
| Customer Client                                    | Date                  |
| Drawn By<br>Dessiné Par BoxCad: Annie              | Date 24/04/2014       |
| Material<br>Matière 14 Ga H.R.P. & O. (1.7mm)      |                       |
| Color<br>Couleur Asa-61 Grey                       | Finish<br>Fini Smooth |
| Description<br>5412ESPR 36" x 30" Cover            | Detail Rev.           |
| Part Number<br>Numéro Pièce <b>5412ESPR363010C</b> | Rev. 1<br><b>0</b> 3  |

SEE BILL OF MATERIAL ON LAST PAGE

This drawing is confidential and must not be reproduced or used without the consent of EXM

Ce dessin est confidentiel et ne doit pas être reproduit ou utilisé sans le consentement de EXM

| STANDARD FEATURES ARE NOT LISTED IN THIS HOLE TABLE |       |       |                             |
|---|-------|-------|-----------------------------|
| HOLE TABLE - FRONT VIEW (CUSTOM FEATURE ONLY)       |       |       |                             |
| CUT-OUT   | XDIM  | YDIM  | DESCRIPTION                 |
| 1   | 1.486 | 1.661 | GND STUD M6 x 16mm (Inside) |



FRONT

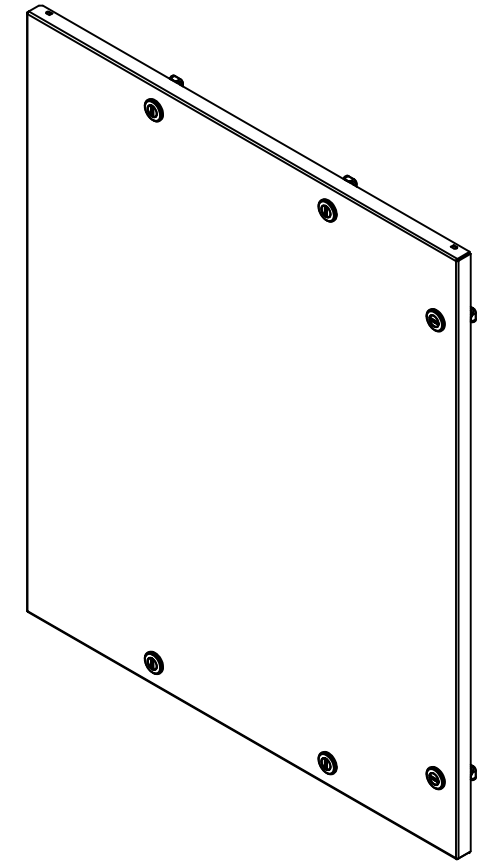
|  |                             |          |
|--|-----------------------------|----------|
|  | Description                 | Status   |
|  | 5412ESPR 36" x 30" Cover    | (NULL)   |
|  | Part Number<br>Numéro Pièce | Rev.     |
|  | <b>5412ESPR363010C</b>      | <b>0</b> |
|  |                             | 2        |
|  |                             | 3        |



This drawing is confidential and must not be reproduced or used without the consent of EXM

Ce dessin est confidentiel et ne doit pas être reproduit ou utilisé sans le consentement de EXM

| No. | Revisions | Date | By/Par |
|-----|-----------|------|--------|
|     |           |      |        |
|     |           |      |        |
|     |           |      |        |
|     |           |      |        |



Isometric View



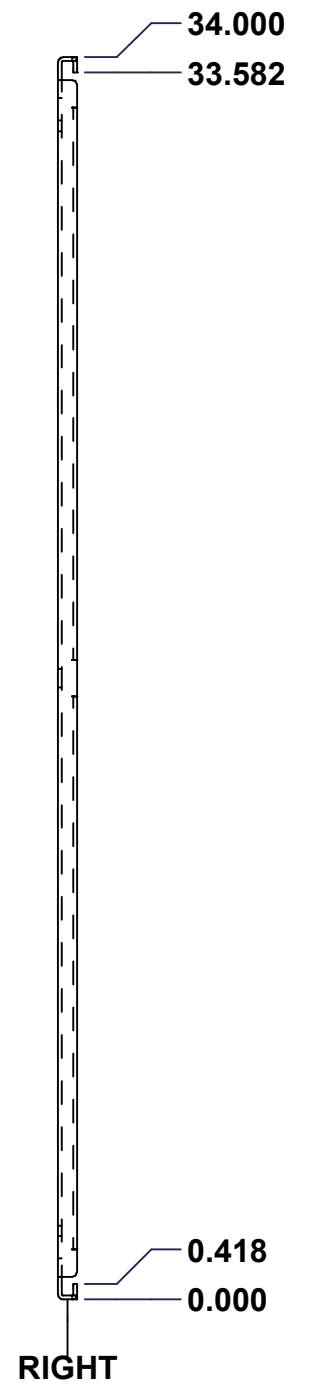
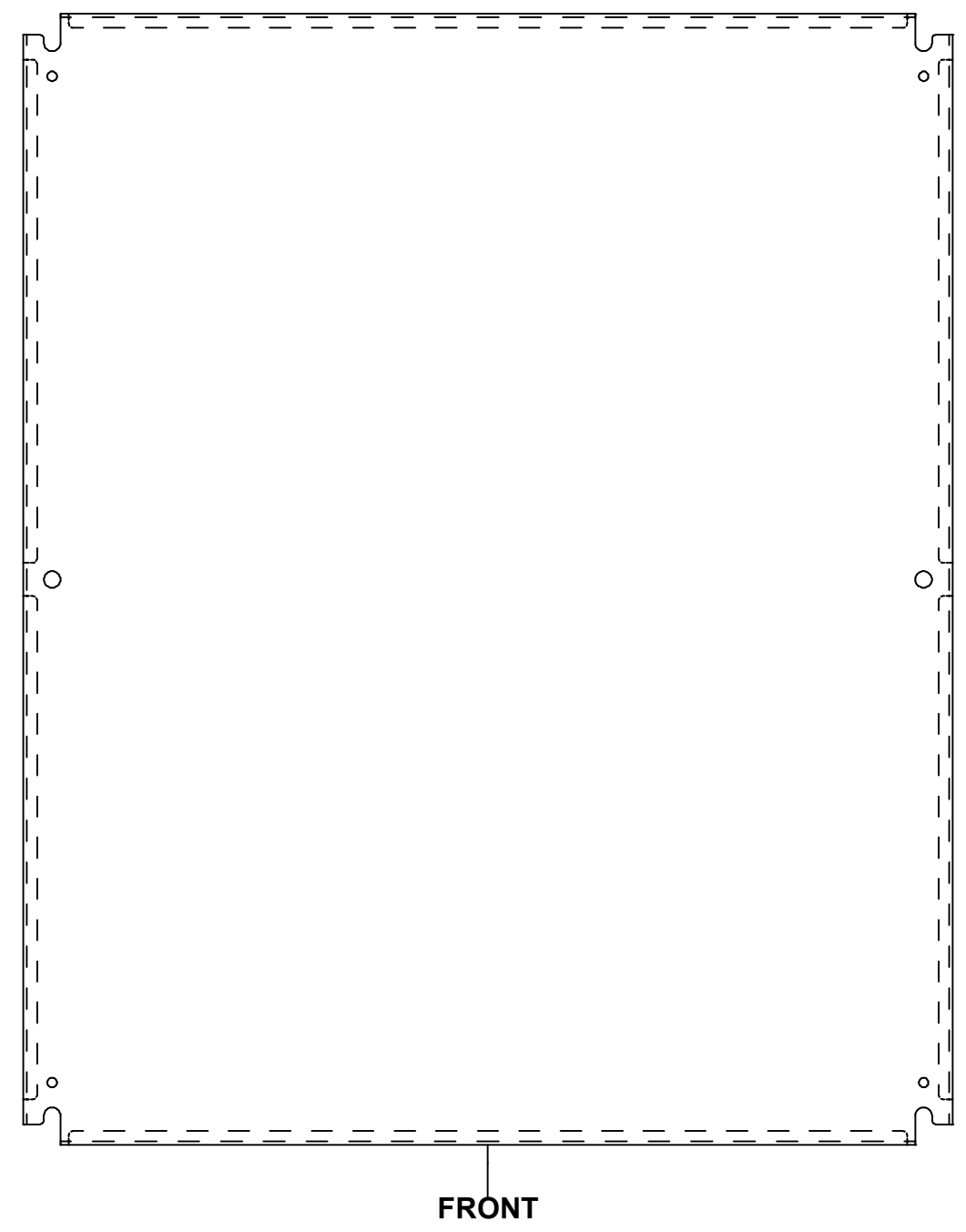
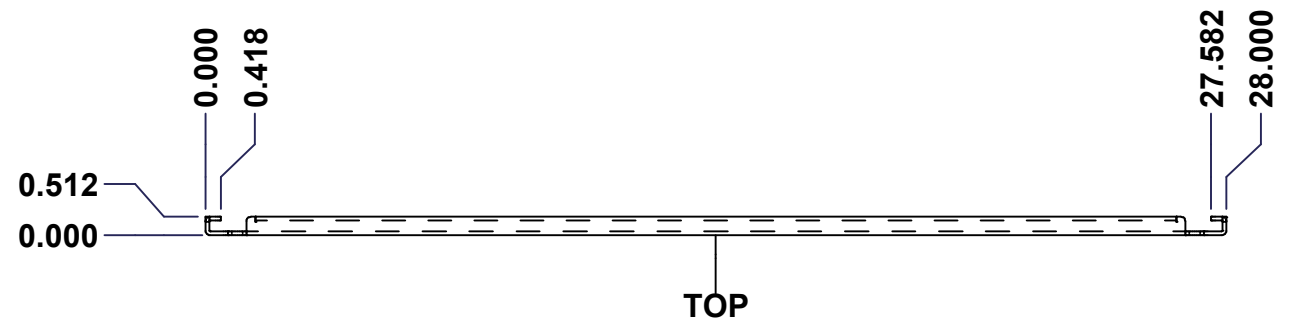
| Qty | Part Name         | Rev  | Description                            |
|-----|-------------------|------|--|
| 1   | STK-P-02400S      | 0    | Powder Paint (Asa-61 Grey / Smooth)    |
| 1   | STK-S-00100       | 0.1. | 3.5" x 2" Silver Milar Flexcon Sticker |
| 1   | STK-Q-16080       | 0.1. | M6 x 16mm Ground Stud                  |
| 3   | STK-Q-33105       | 4    | 5412 ESBU Buttable Hinge (Cover Part)  |
| 1   | 5412ESPR363010G   | 0    | 5412ESPR 36" x 30" Cover Gasket        |
| 1   | 5412ESPR363010C-P | 0    | 5412ESPR 36" x 30" Cover Part          |
| 6   | 880 SCQ4-SL       | 0    | 5412 ES 1/4 Turn Lock                  |
| 3   | STK-A-33005       | 1    | 5412 ESBU Hinge 180° (Body Part)       |
|     |                   |      |  |

|   |                           |
|---|---------------------------|
| <p>Tél: (450) 979-4373<br/>Fax: (450) 979-4626<br/><a href="http://www.exmweb.com">www.exmweb.com</a></p> | Flatness<br>Aplatissement |
|   | Max 3.0mm                 |
|   | Projection                |
|   |                           |
| Customer<br>Client  | Date                      |
| Drawn By<br>Dessiné Par BoxCad: Annie   | Date 24/04/2014           |
| Material<br>Matière   | 14 Ga H.R.P. & O. (1.7mm) |
| Color<br>Couleur Asa-61 Grey  | Finish<br>Fini Smooth     |
| Description   | Detail Rev.               |
| 5412ESPR 36" x 30" Cover  |                           |
| Part Number<br>Numéro Pièce   | Rev. 3                    |
| <b>5412ESPR363010C</b>  | <b>0</b>                  |

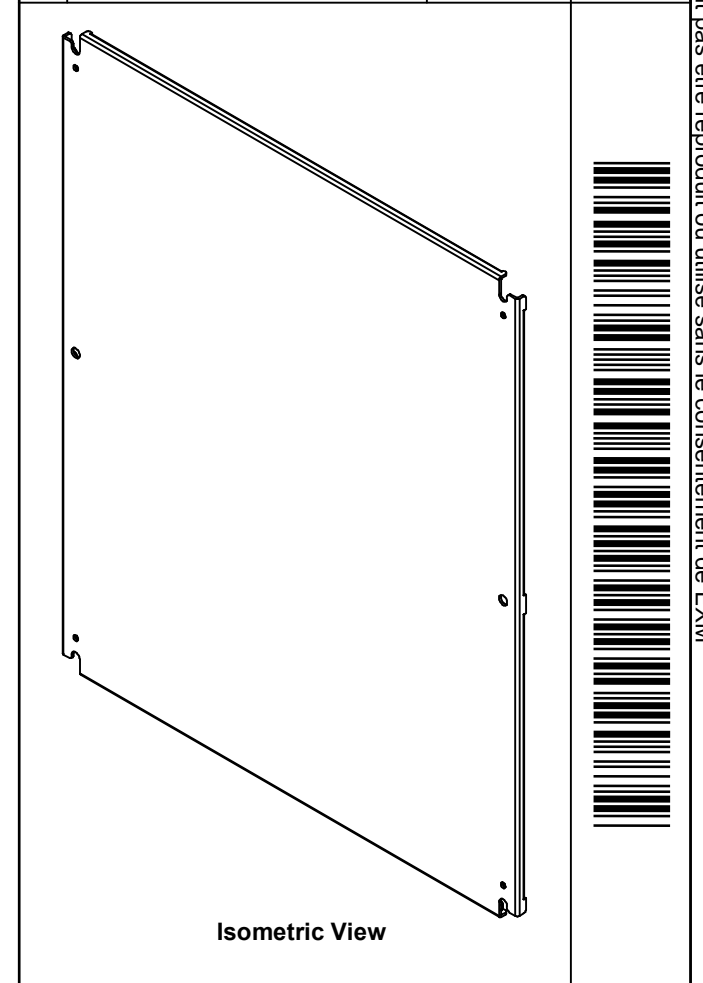
Parts List


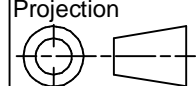
This drawing is confidential and must not be reproduced or used without the consent of EXM

Ce dessin est confidentiel et ne doit pas être reproduit ou utilisé sans le consentement de EXM



| No. | Revisions | Date | By/Par |
|-----|-----------|------|--------|
|     |           |      |        |
|     |           |      |        |
|     |           |      |        |
|     |           |      |        |
|     |           |      |        |



|  |               |   |
|--|---------------|---|
|  Tél: (450) 979-4373<br>Fax: (450) 979-4626<br>www.exmweb.com |               | Flatness<br>Aplatissement<br>Max 3.0mm<br>Projection<br> |
| Customer Client  | Date          |   |
| Drawn By<br>Dessiné Par  | BoxCad        | Date 1/23/2007  |
| Material<br>Matière  | See Part List |   |
| Color<br>Couleur   | See Part List | Finish<br>Fini See Part List  |
| Description  |               | Detail Rev.   |
| 881 SP - Inner Panel   |               |   |
| Part Number<br>Numéro Pièce  | Rev. 0        | 1/2   |
| <b>881 SP3630</b>  |               |   |

| Qty | Part Number  | Rev | Description                   | Material               | Color         | Finish |
|-----|--------------|-----|-------------------------------|------------------------|---------------|--------|
| 1   | STK-P-02401S | 0   | Powder Paint (White / Smooth) | Polyester-Epoxy Hybrid | White RAL9003 | Smooth |
| 1   | 881 SP3630-P | 0   | 881 SP - Inner Panel Part     | 12 Ga H.R.P. & O.      | White         | Smooth |

Parts List

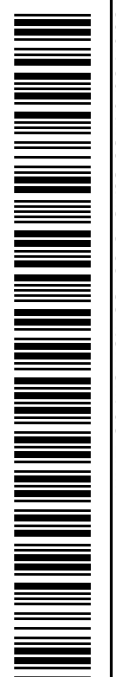
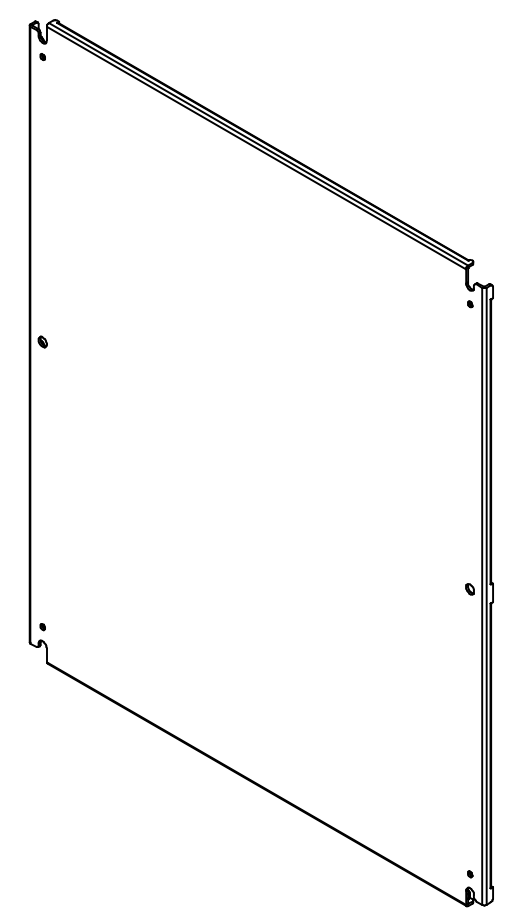
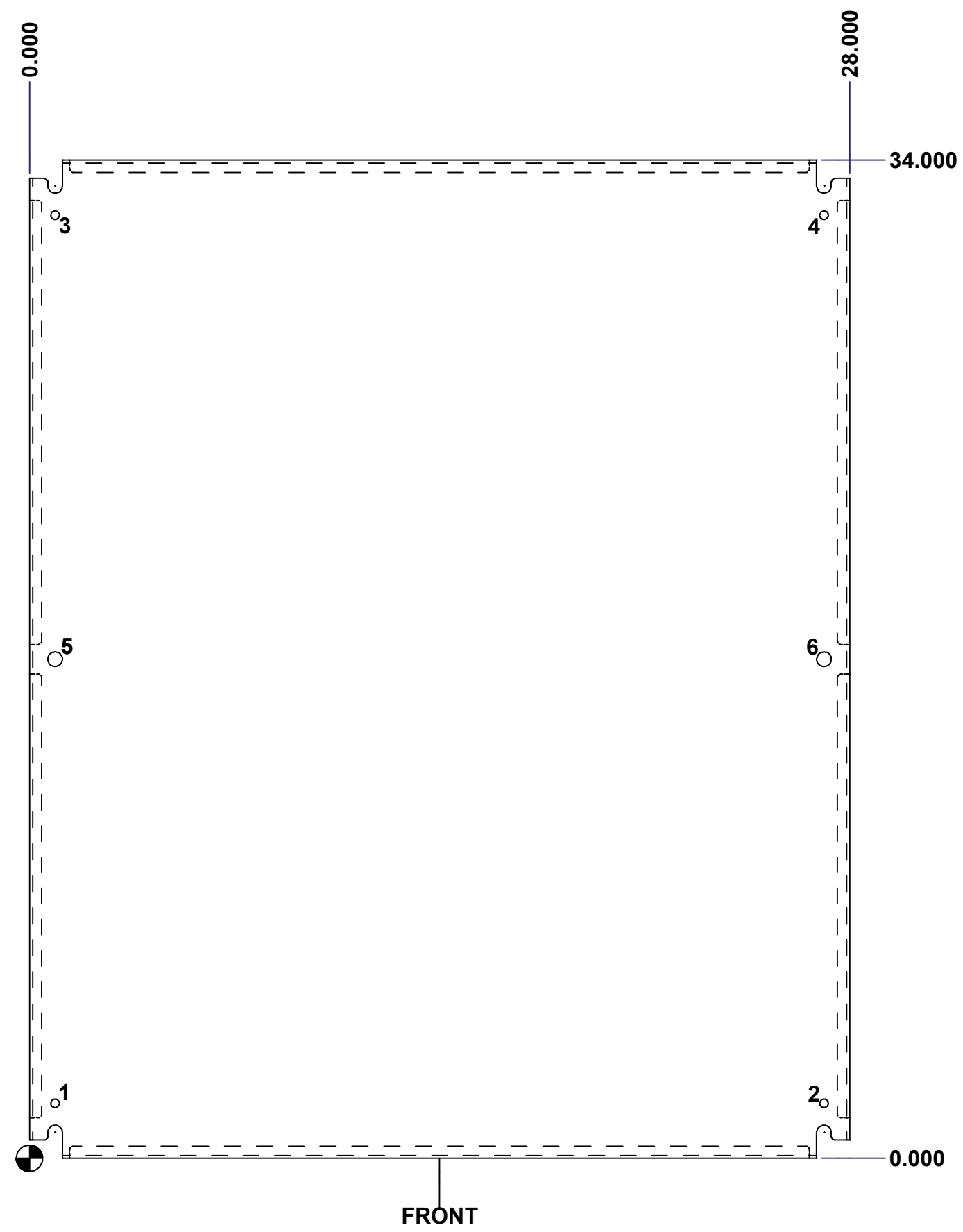
This drawing is confidential and must not be reproduced or used without the consent of EXM

Ce dessin est confidentiel et ne doit pas être reproduit ou utilisé sans le consentement de EXM

| Table 1 |        |        | FRONT VIEW                 |
|---------|--------|--------|----------------------------|
| CUT-OUT | XDIM   | YDIM   | DESCRIPTION                |
| 1       | 0.875  | 1.875  | GROUND HOLE (RND Ø0.290)   |
| 2       | 27.125 | 1.875  | GROUND HOLE (RND Ø0.290)   |
| 3       | 0.875  | 32.125 | GROUND HOLE (RND Ø0.290)   |
| 4       | 27.125 | 32.125 | GROUND HOLE (RND Ø0.290)   |
| 5       | 0.875  | 17.000 | MTG STUD HOLE (RND Ø0.500) |
| 6       | 27.125 | 17.000 | MTG STUD HOLE (RND Ø0.500) |

All knockouts are actual size / Les disques défonçables sont grandeur réel

| No. | Revisions | Date | By/Par |
|-----|-----------|------|--------|
|     |           |      |        |
|     |           |      |        |
|     |           |      |        |
|     |           |      |        |
|     |           |      |        |



|                             |  |                              |
|-----------------------------|--|------------------------------|
|                             | Tél: (450) 979-4373<br>Fax: (450) 979-4626<br>www.exmweb.com | Flatness<br>Aplatissement    |
|                             |  | Max 3.0mm                    |
| Projection                  |  |                              |
| Customer<br>Client          | Date   |                              |
| Drawn By<br>Dessiné Par     | BoxCad   | Date 1/23/2007               |
| Material<br>Matière         | See Part List  |                              |
| Color<br>Couleur            | See Part List  | Finish<br>Fini See Part List |
| Description                 | Detail Rev.  |                              |
| 881 SP - Inner Panel        |  |                              |
| Part Number<br>Numéro Pièce | Rev.   | 2                            |
| 881 SP3630                  |  | 0                            |