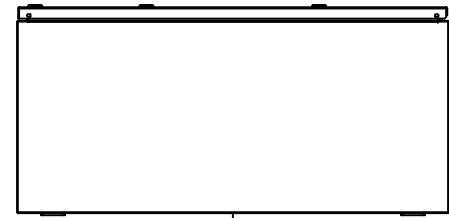


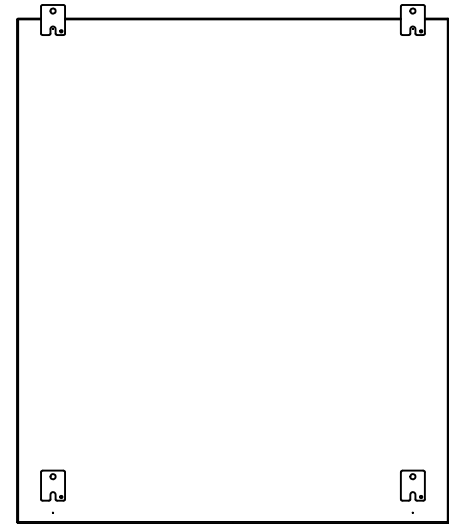
This drawing is confidential and must not be reproduced or used without the consent of EXM

Ce dessin est confidentiel et ne doit pas être reproduit ou utilisé sans le consentement de EXM

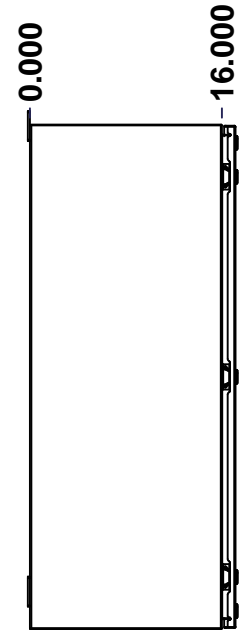
| No. | Revisions | Date | By/Par |
|-----|-----------|------|--------|
| | | | |
| | | | |
| | | | |
| | | | |
| | | | |



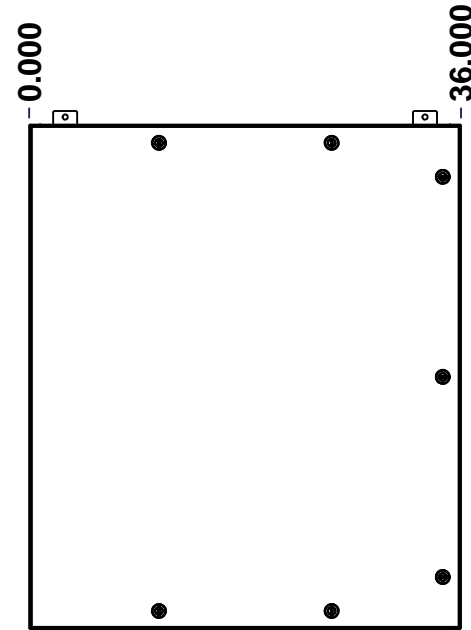
TOP



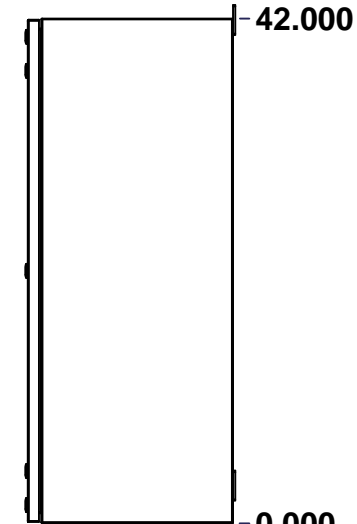
BACK



LEFT



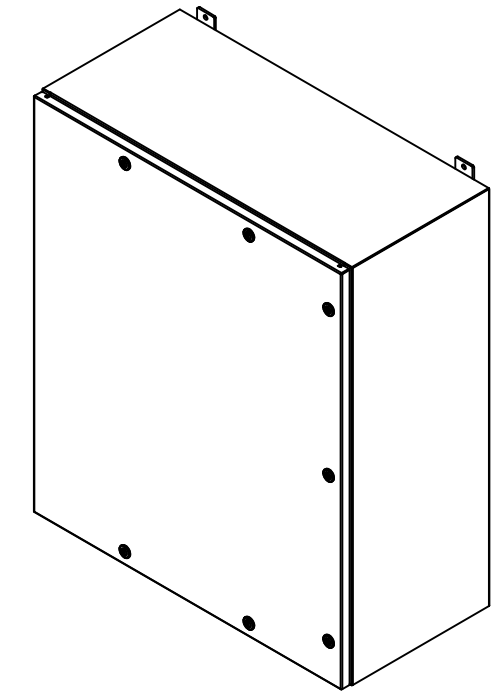
FRONT



RIGHT


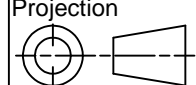


BOTTOM



Isometric View



| | | |
|--|---------------------------|---|
|  Tél: (450) 979-4373 Fax: (450) 979-4626 www.exmweb.com | | Flatness Aplatissement Max 3.0mm Projection  |
| Customer Client | Date | |
| Drawn By Dessiné Par | BoxCad: Annie | Date 24/04/2014 |
| Material Matière | 14 Ga H.R.P. & O. (1.7mm) | |
| Color Couleur | Asa-61 Grey | Finish Fini Smooth |
| Description | Detail Rev. | |
| 5412ESPR 42" x 36" x 16" Assembly | | |
| Part Number Numéro Pièce | Rev. 0 | 1 2 |
| 5412ESPR423616 | | |

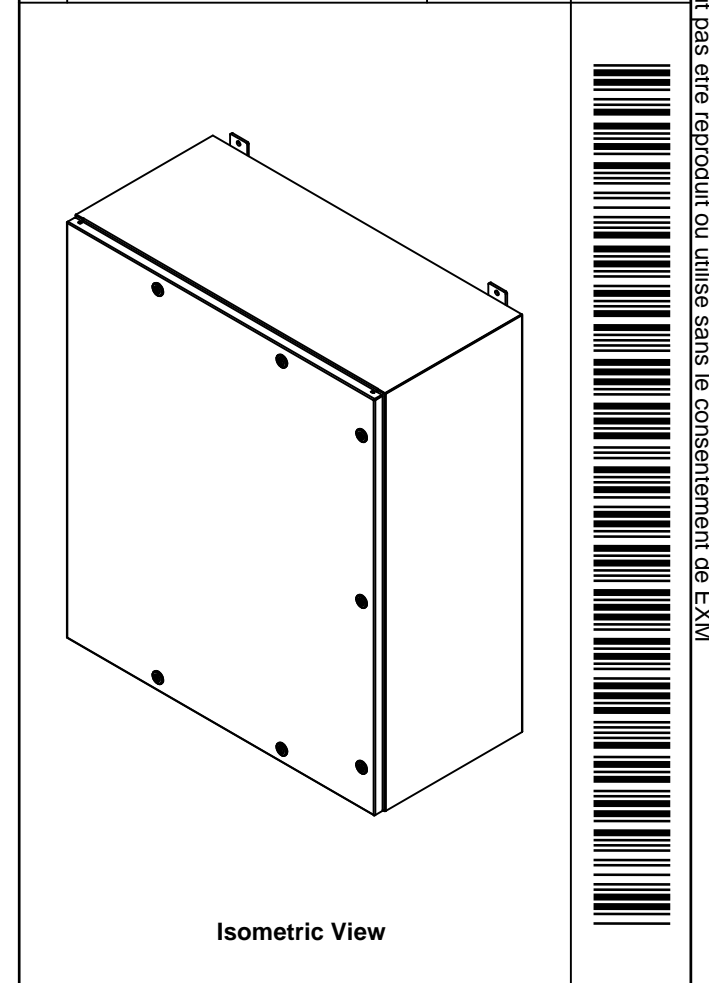
SEE BILL OF MATERIAL ON LAST PAGE


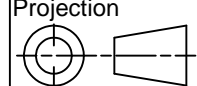
This drawing is confidential and must not be reproduced or used without the consent of EXM

Ce dessin est confidentiel et ne doit pas être reproduit ou utilisé sans le consentement de EXM

| NOTE | |
|------|--|
| ITEM | DESCRIPTION |
| 1 | NEMA 4/12 Enclosure |
| 2 | C/W Standard ground studs on box and cover |
| 3 | W/O Standard door stiffener |
| 4 | C/W Standard inner panel (Sold seperately) |
| 5 | C/W Standard inner panel mounting studs |

| No. | Revisions | Date | By/Par |
|-----|-----------|------|--------|
| | | | |
| | | | |
| | | | |
| | | | |
| | | | |
| | | | |

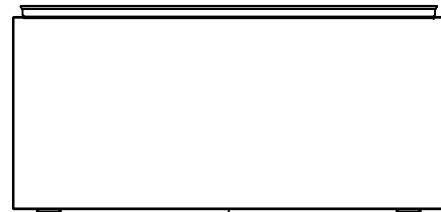


| | | |
|--|---------------------------|---|
|  Tél: (450) 979-4373 Fax: (450) 979-4626 www.exmweb.com | | Flatness Aplatissement Max 3.0mm Projection  |
| Customer Client | Date | |
| Drawn By Dessiné Par | BoxCad: Annie | Date 24/04/2014 |
| Material Matière | 14 Ga H.R.P. & O. (1.7mm) | |
| Color Couleur | Asa-61 Grey | Finish Fini Smooth |
| Description | Detail Rev. | |
| 5412ESPR 42" x 36" x 16" Assembly | | |
| Part Number Numéro Pièce | Rev. | 2 |
| 5412ESPR423616 | 0 | 2 |

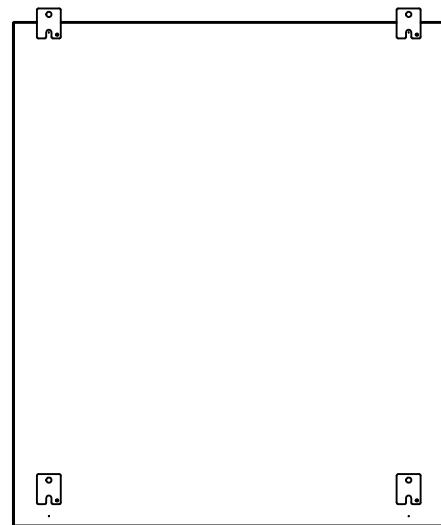
| Qty | Part Number | Rev | Description |
|------------|-----------------|-----|-----------------------------------|
| 1 | STK-K-01800 | 0 | 5412 ES Accessory Kit |
| 6 | STK-Q-03000 | 0 | M5 x 8mm Phillips Flat Head Screw |
| 1 | 881 SP4236 | 0 | 881 SP - Inner Panel |
| 1 | 880 PP | 0 | Self Adhesive Print Pocket |
| 1 | 5412ESPR423616C | 0 | 5412ESPR 42" x 36" Cover |
| 8 | STK-Q-07310 | 2 | Flange Lock Nut M8 |
| 1 | 5412ESPR423616B | 0 | 5412ESPR 42" x 36" x 16" Body |
| 8 | STK-Q-07610 | 7 | M8 Plastic Spacer 22.2mm |
| Parts List | | | |

This drawing is confidential and must not be reproduced or used without the consent of EXM

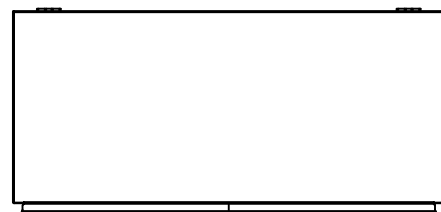
Ce dessin est confidentiel et ne doit pas être reproduit ou utilisé sans le consentement de EXM



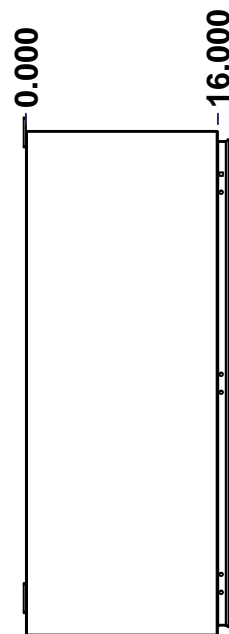
TOP



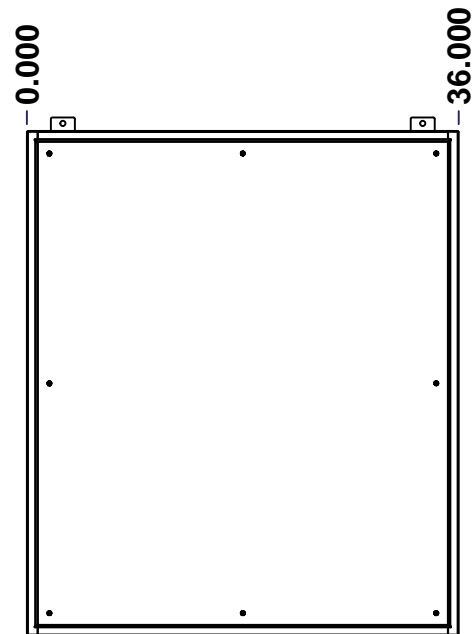
BACK



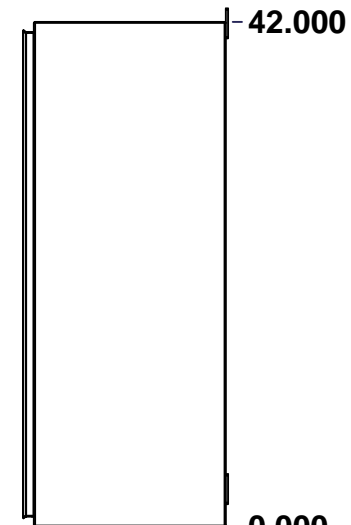
BOTTOM



LEFT

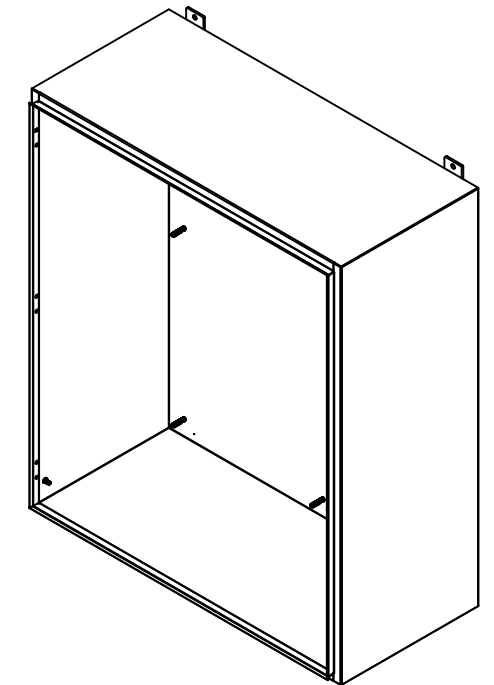


FRONT



RIGHT

| No. | Revisions | Date | By/Par |
|-----|-----------|------|--------|
| | | | |
| | | | |
| | | | |
| | | | |



Isometric View

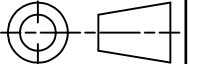


Tél: (450) 979-4373
 Fax: (450) 979-4626
www.exmweb.com

Flatness
Aplatissement

Max 3.0mm

Projection



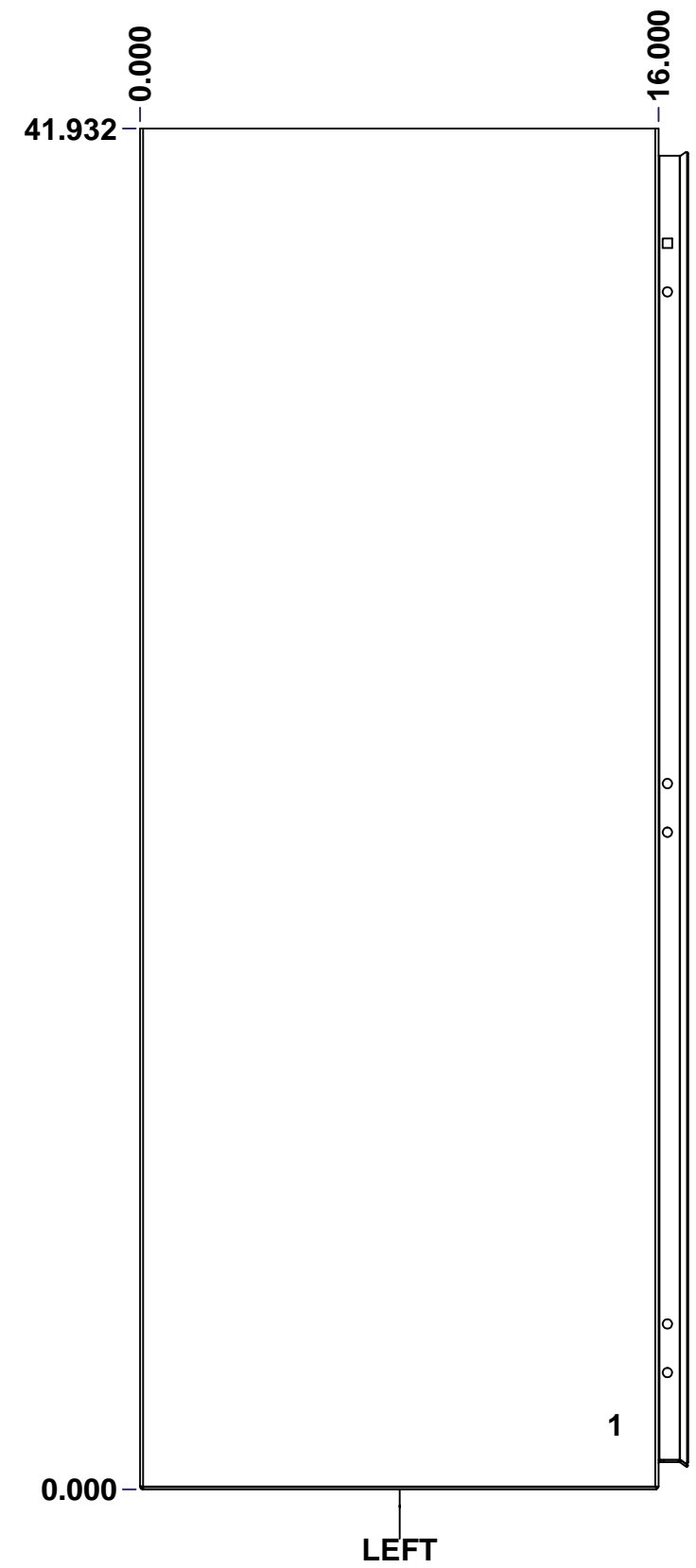
| | |
|---------------------------------------|---------------------------|
| Customer Client | Date |
| Drawn By Dessiné Par BoxCad: Annie | Date 24/04/2014 |
| Material Matière | 14 Ga H.R.P. & O. (1.7mm) |
| Color Couleur | Asa-61 Grey |
| Finish Fin | Smooth |
| Description | Detail Rev. |
| 5412ESPR 42" x 36" x 16" Body | |
| Part Number Numéro Pièce | Rev. |
| 5412ESPR423616B | 0 |
| | 1 7 |

SEE BILL OF MATERIAL ON LAST PAGE

This drawing is confidential and must not be reproduced or used without the consent of EXM

Ce dessin est confidentiel et ne doit pas être reproduit ou utilisé sans le consentement de EXM

| STANDARD FEATURES ARE NOT LISTED IN THIS HOLE TABLE | | | |
|--|--------|-------|-----------------------------|
| HOLE TABLE - LEFT VIEW (CUSTOM FEATURE ONLY) | | | |
| CUT-OUT | XDIM | YDIM | DESCRIPTION |
| 1 | 14.500 | 2.000 | GND STUD M6 x 16mm (Inside) |



| | | | | |
|-----------------------------|-------------------------------|----------|--------|--|
| | Description | | Status | |
| | 5412ESPR 42" x 36" x 16" Body | | | |
| Part Number Numéro Pièce | | Rev. | 5 / 7 | |
| 5412ESPR423616B | | 0 | | |

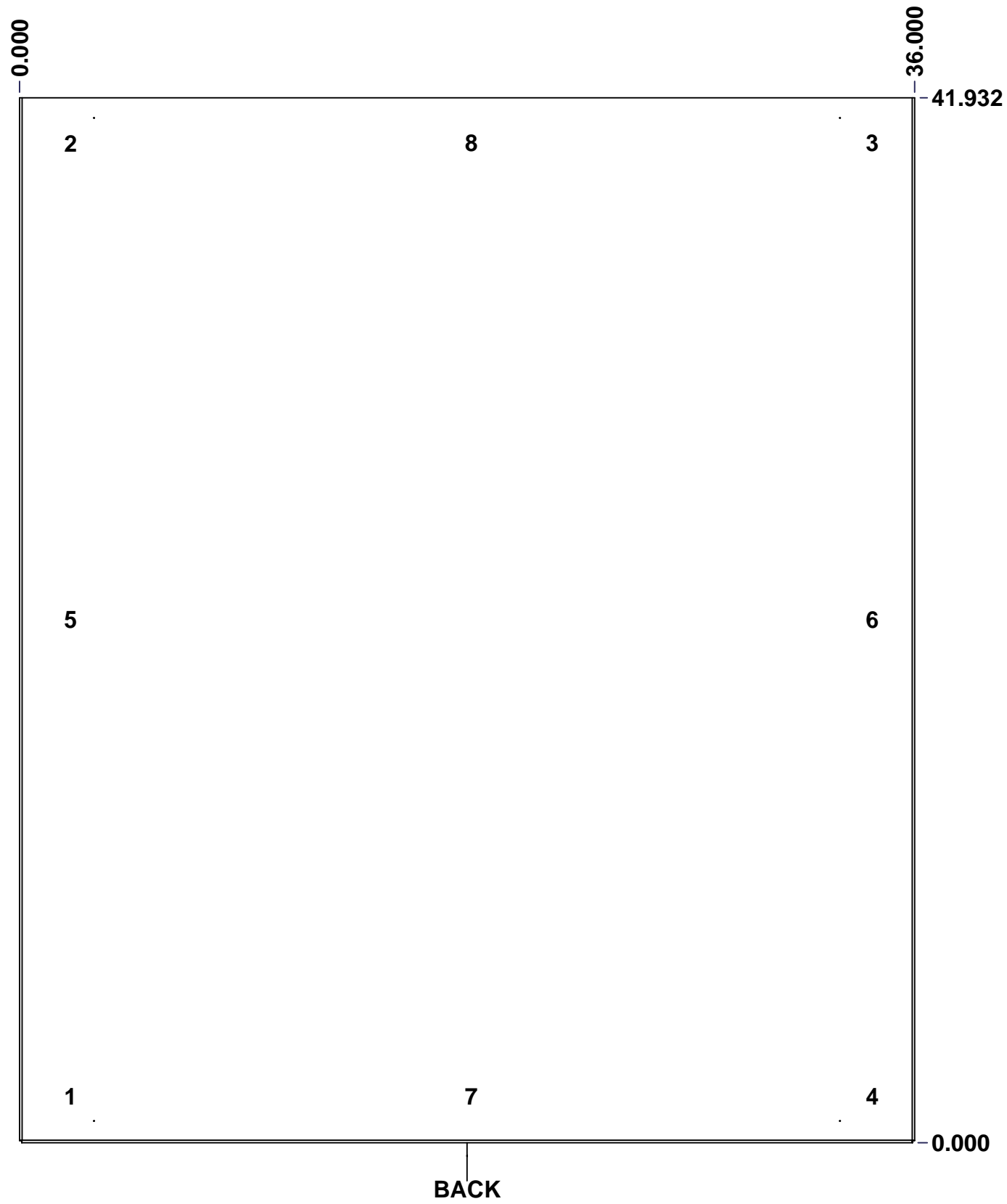
This drawing is confidential and must not be reproduced or used without the consent of EXM

Ce dessin est confidentiel et ne doit pas être reproduit ou utilisé sans le consentement de EXM

STANDARD FEATURES ARE NOT LISTED IN THIS HOLE TABLE

HOLE TABLE - BACK VIEW (CUSTOM FEATURE ONLY)

| CUT-OUT | XDIM | YDIM | DESCRIPTION |
|---------|--------|--------|----------------------------|
| 1 | 1.875 | 1.875 | IP STUD M8 x 35mm (Inside) |
| 2 | 1.875 | 40.125 | IP STUD M8 x 35mm (Inside) |
| 3 | 34.125 | 40.125 | IP STUD M8 x 35mm (Inside) |
| 4 | 34.125 | 1.875 | IP STUD M8 x 35mm (Inside) |
| 5 | 1.875 | 21.000 | IP STUD M8 x 35mm (Inside) |
| 6 | 34.125 | 21.000 | IP STUD M8 x 35mm (Inside) |
| 7 | 18.000 | 1.875 | IP STUD M8 x 35mm (Inside) |
| 8 | 18.000 | 40.125 | IP STUD M8 x 35mm (Inside) |

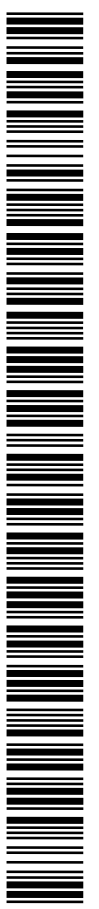
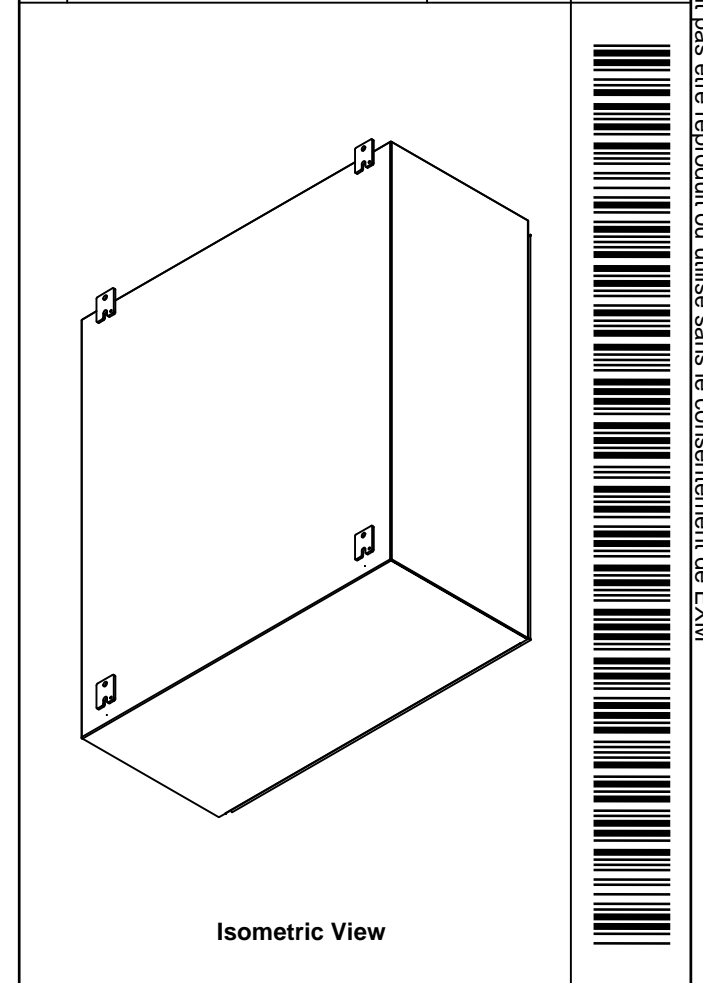



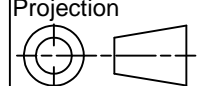
| | | | | |
|-----------------------------|-------------------------------|----------|--------|--|
| | Description | | Status | |
| | 5412ESPR 42" x 36" x 16" Body | | | |
| Part Number Numéro Pièce | | Rev. | 6 | |
| 5412ESPR423616B | | 0 | 7 | |

This drawing is confidential and must not be reproduced or used without the consent of EXM

Ce dessin est confidentiel et ne doit pas être reproduit ou utilisé sans le consentement de EXM

| No. | Revisions | Date | By/Par |
|-----|-----------|------|--------|
| | | | |
| | | | |
| | | | |
| | | | |
| | | | |

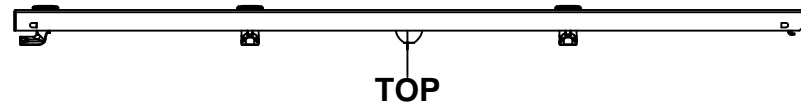


| | | |
|--|---------------------------|---|
|  Tél: (450) 979-4373 Fax: (450) 979-4626 www.exmweb.com | | Flatness Aplatissement Max 3.0mm Projection  |
| Customer Client | Date | |
| Drawn By Dessiné Par | BoxCad: Annie | Date 24/04/2014 |
| Material Matière | 14 Ga H.R.P. & O. (1.7mm) | |
| Color Couleur | Asa-61 Grey | Finish Fini Smooth |
| Description | Detail Rev. | |
| 5412ESPR 42" x 36" x 16" Body | | |
| Part Number Numéro Pièce | Rev. 0 | 7 |
| 5412ESPR423616B | | 7 |

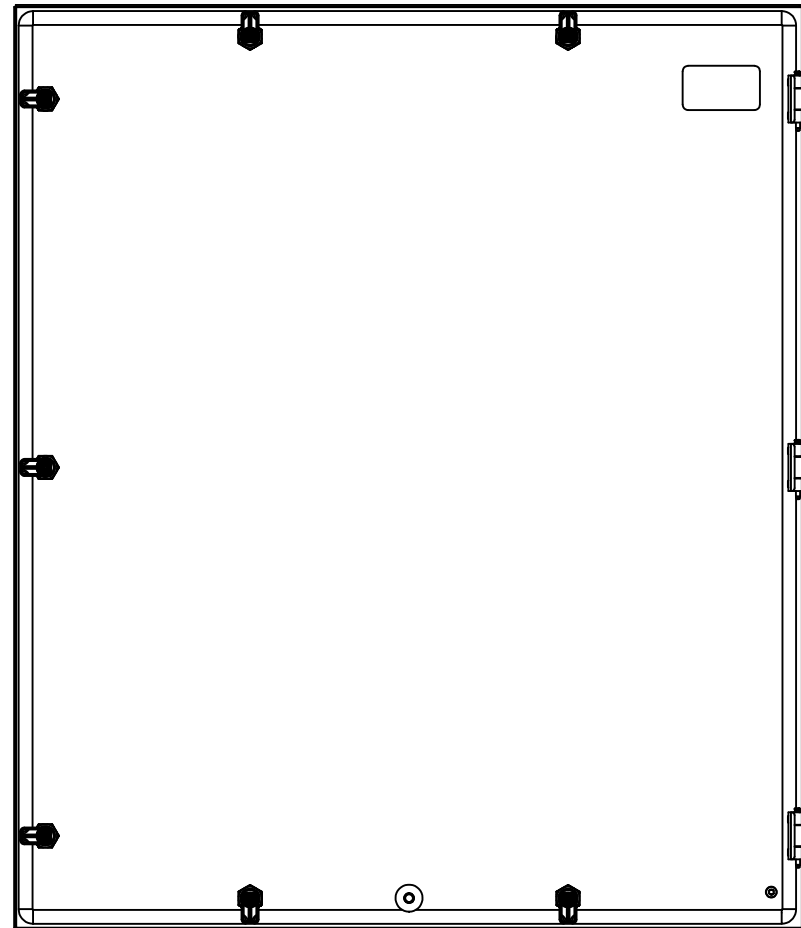
| Qty | Part Number | Rev | Description |
|------------|-------------------|-------|--------------------------------------|
| 1 | STK-P-02400S | 0 | Powder Paint (Asa-61 Grey / Smooth) |
| 4 | STK-Q-71000 | 0 | Steel Mounting Tab |
| 8 | STK-Q-16005 | 1 | Stud M8 x 35 (No Paint Cap Required) |
| 1 | STK-Q-16080 | 0.1.1 | M6 x 16mm Ground Stud |
| 1 | 5412ESPR423616T-P | 0 | 5412ESPR 42" x 36" x 16" Body Part |
| 1 | 5412ESPR423616B-P | 0 | 5412ESPR 42" x 36" x 16" Body Part |
| Parts List | | | |

This drawing is confidential and must not be reproduced or used without the consent of EXM

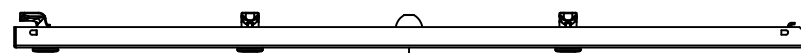
Ce dessin est confidentiel et ne doit pas être reproduit ou utilisé sans le consentement de EXM



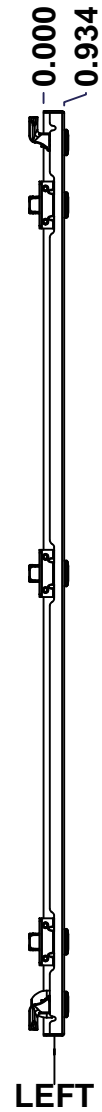
TOP



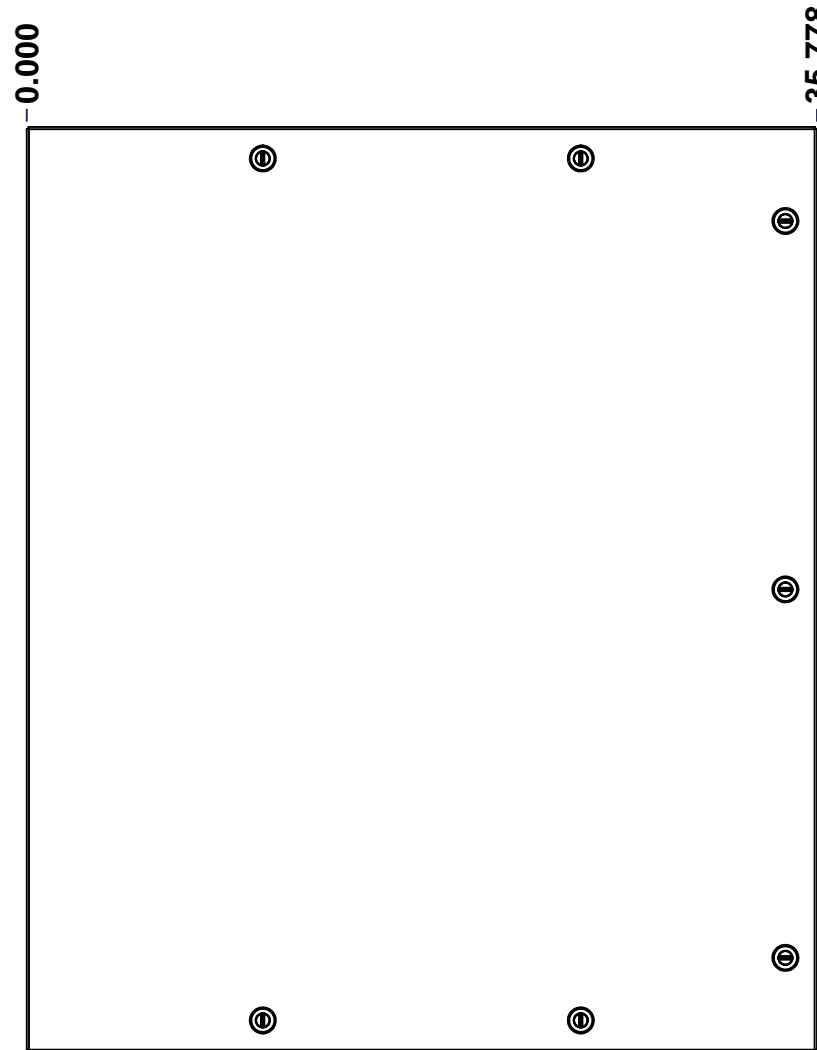
BACK



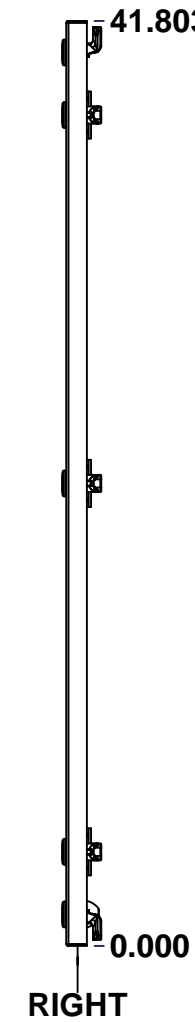
BOTTOM



LEFT

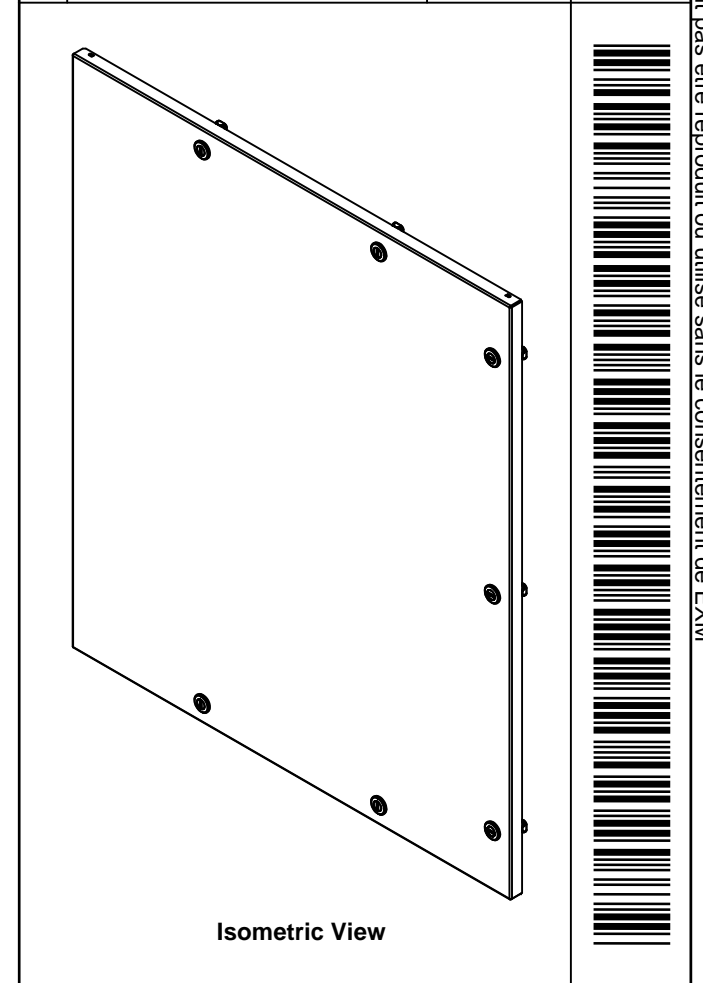


FRONT



RIGHT

| No. | Revisions | Date | By/Par |
|-----|-----------|------|--------|
| | | | |
| | | | |
| | | | |
| | | | |



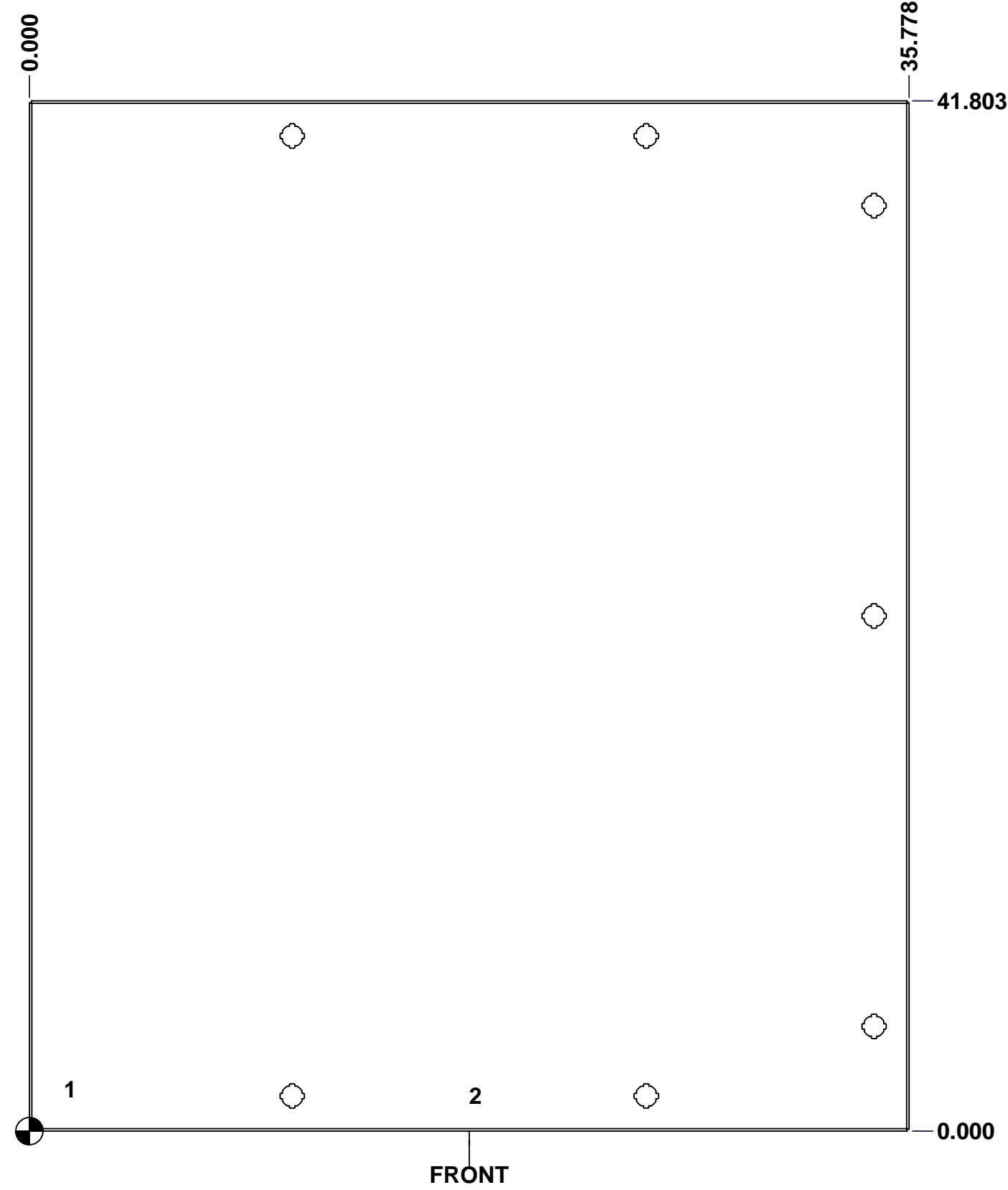
| | | | |
|--|--|---------------------------|---|
| Tél: (450) 979-4373 Fax: (450) 979-4626 www.exmweb.com | | Flatness Aplatissement | |
| | | Max 3.0mm | |
| Customer Client | | Date | |
| Drawn By Dessiné Par BoxCad: Annie | | Date 24/04/2014 | |
| Material Matière | | 14 Ga H.R.P. & O. (1.7mm) | |
| Color Couleur Asa-61 Grey | | Finish Fini Smooth | |
| Description | | Detail Rev. | |
| 5412ESPR 42" x 36" Cover | | | |
| Part Number Numéro Pièce | | Rev. | 1 |
| 5412ESPR423616C | | 0 | 3 |

SEE BILL OF MATERIAL ON LAST PAGE

This drawing is confidential and must not be reproduced or used without the consent of EXM

Ce dessin est confidentiel et ne doit pas être reproduit ou utilisé sans le consentement de EXM

| STANDARD FEATURES ARE NOT LISTED IN THIS HOLE TABLE | | | |
|---|--------|-------|-----------------------------|
| HOLE TABLE - FRONT VIEW (CUSTOM FEATURE ONLY) | | | |
| CUT-OUT | XDIM | YDIM | DESCRIPTION |
| 1 | 1.486 | 1.709 | GND STUD M6 x 16mm (Inside) |
| 2 | 17.959 | 1.435 | STUD M6 x 18mm (Inside) |

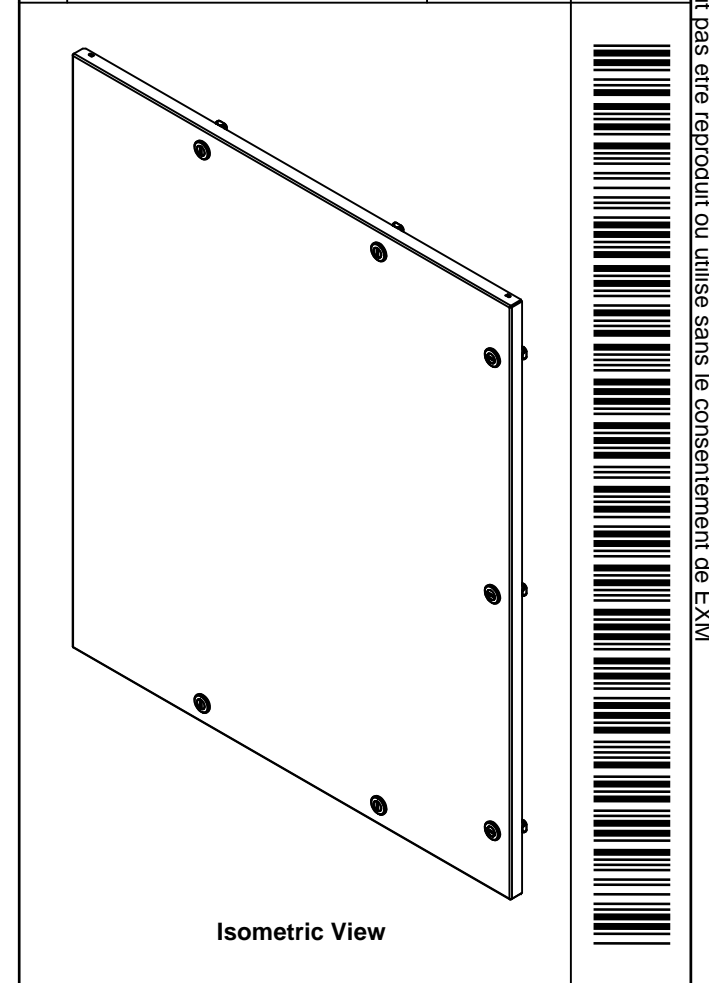


| | | |
|--|-----------------------------|----------|
| | Description | Status |
| | 5412ESPR 42" x 36" Cover | (NULL) |
| | Part Number Numéro Pièce | Rev. |
| | 5412ESPR423616C | 0 |
| | | 2 |
| | | 3 |


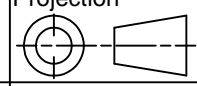
This drawing is confidential and must not be reproduced or used without the consent of EXM

Ce dessin est confidentiel et ne doit pas être reproduit ou utilisé sans le consentement de EXM

| No. | Revisions | Date | By/Par |
|-----|-----------|------|--------|
| | | | |
| | | | |
| | | | |
| | | | |
| | | | |

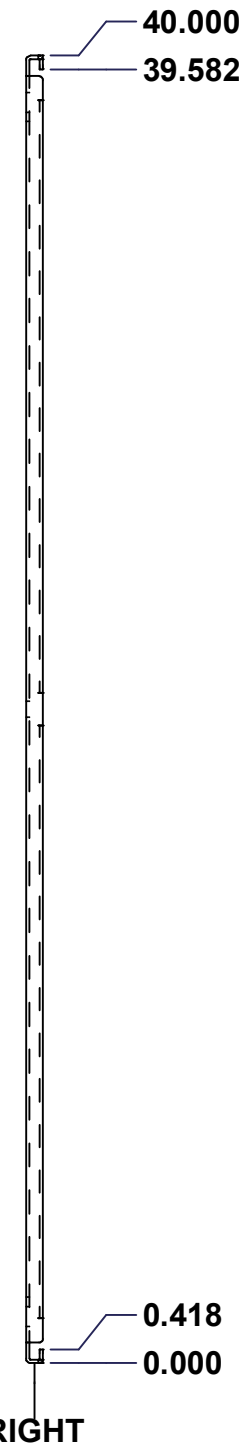
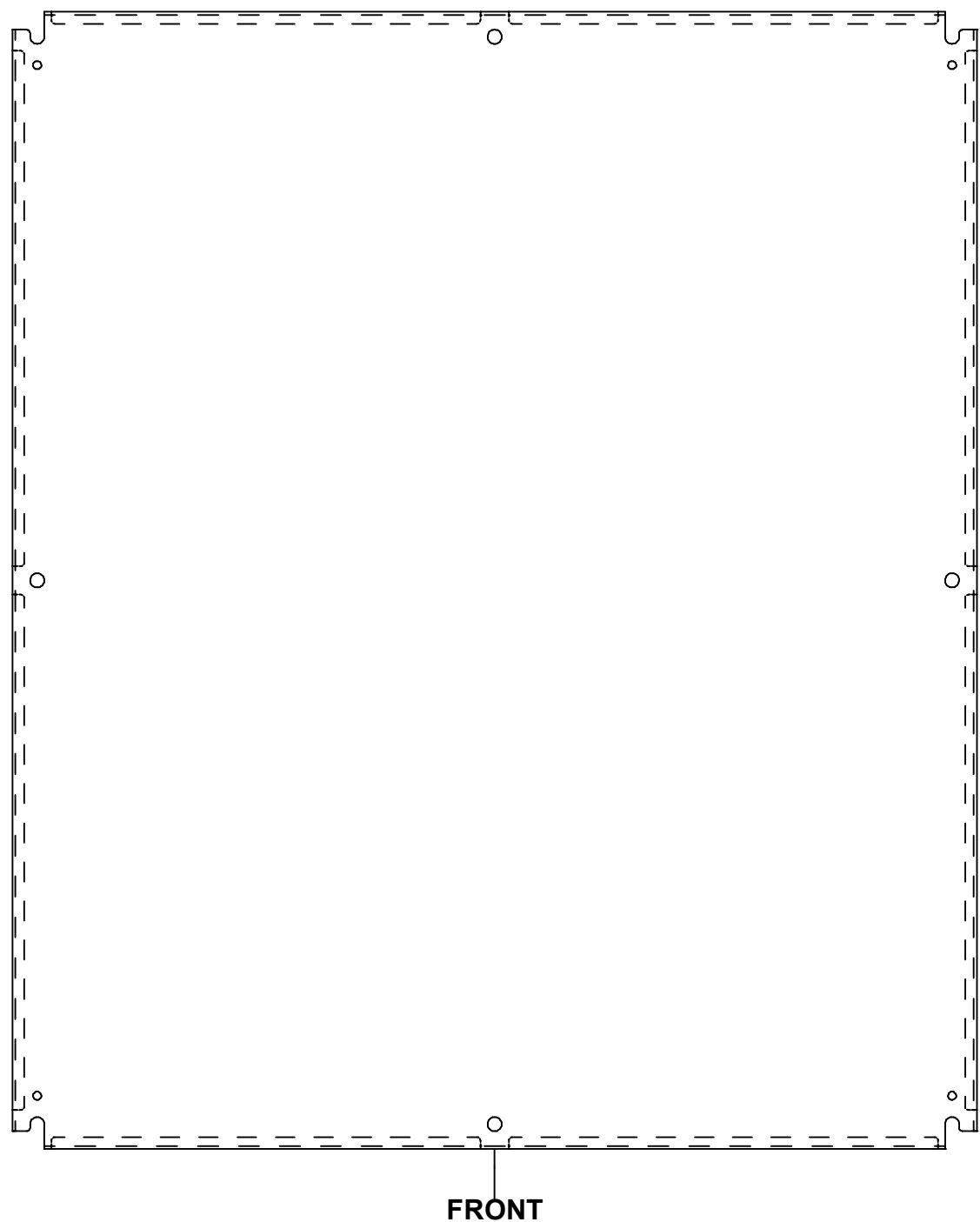
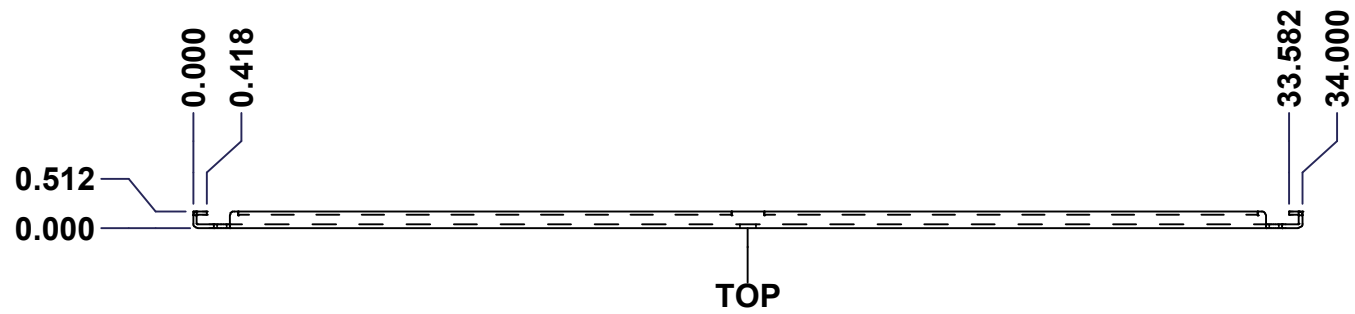


| Qty | Part Name | Rev | Description |
|------------|-------------------|-------|--|
| 1 | STK-P-02400S | 0 | Powder Paint (Asa-61 Grey / Smooth) |
| 1 | STK-S-00100 | 0.1.1 | 3.5" x 2" Silver Milar Flexcon Sticker |
| 1 | STK-Q-46515 | 2 | 5412 ES Door Support with Brass Insert |
| 1 | STK-Q-16055 | 1 | M6 x 18mm Stud (No Paint Cap Required) |
| 1 | STK-Q-16080 | 0.1.1 | M6 x 16mm Ground Stud |
| 3 | STK-Q-33105 | 4 | 5412 ESBU Buttable Hinge (Cover Part) |
| 1 | 5412ESPR423616G | 0 | 5412ESPR 42" x 36" Cover Gasket |
| 1 | 5412ESPR423616C-P | 0 | 5412ESPR 42" x 36" Cover Part |
| 7 | 880 SCQ4-SL | 0 | 5412 ES 1/4 Turn Lock |
| 3 | STK-A-33005 | 1 | 5412 ESBU Hinge 180° (Body Part) |
| Parts List | | | |

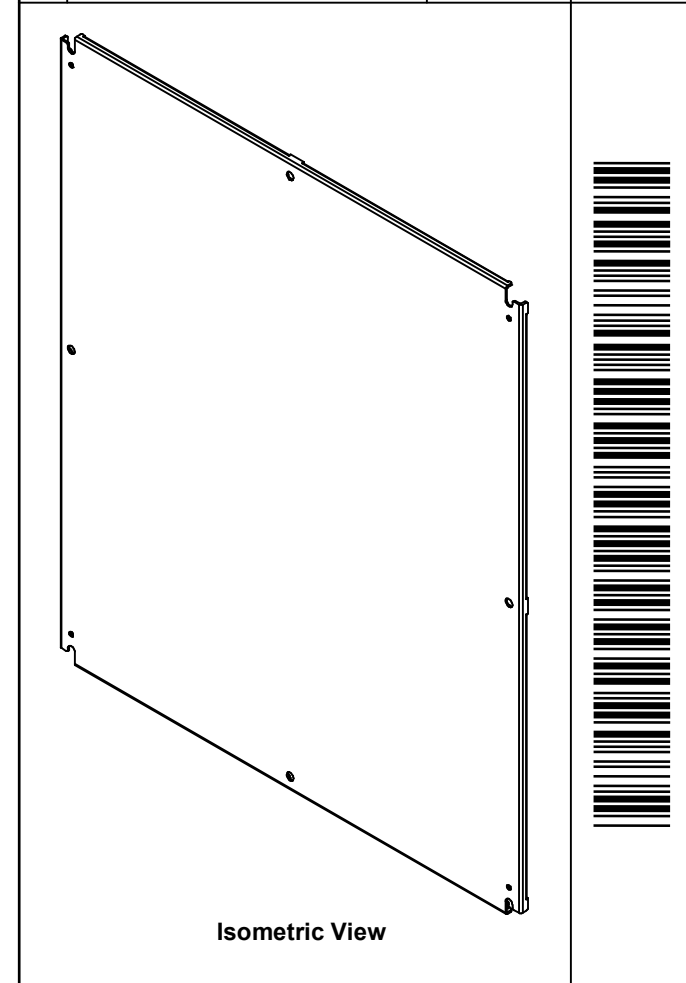
| | | |
|--|-----------------------|---|
|  Tél: (450) 979-4373 Fax: (450) 979-4626 www.exmweb.com | | Flatness Aplatissement Max 3.0mm Projection  |
| Customer Client | Date | |
| Drawn By / Dessiné Par: BoxCad: Annie | Date: 24/04/2014 | |
| Material / Matière: 14 Ga H.R.P. & O. (1.7mm) | | |
| Color / Couleur: Asa-61 Grey | Finish / Fini: Smooth | |
| Description: 5412ESPR 42" x 36" Cover | | Detail Rev. |
| Part Number / Numéro Pièce: 5412ESPR423616C | Rev. 0 | 3 |

This drawing is confidential and must not be reproduced or used without the consent of EXM

Ce dessin est confidentiel et ne doit pas être reproduit ou utilisé sans le consentement de EXM



| No. | Revisions | Date | By/Par |
|-----|-----------|------|--------|
| | | | |
| | | | |
| | | | |
| | | | |



| | | |
|--|---------------|--|
| Tél: (450) 979-4373 Fax: (450) 979-4626 www.exmweb.com | | Flatness Aplatissement Max 3.0mm Projection |
| Customer Client | Date | |
| Drawn By Dessiné Par | BoxCad | Date 1/23/2007 |
| Material Matière | See Part List | |
| Color Couleur | See Part List | Finish Fini See Part List |
| Description | | Detail Rev. |
| 881 SP - Inner Panel | | |
| Part Number Numéro Pièce | Rev. 0 | 1/2 |
| 881 SP4236 | | |

| Qty | Part Number | Rev | Description | Material | Color | Finish |
|-----|--------------|-----|-------------------------------|------------------------|---------------|--------|
| 1 | STK-P-02401S | 0 | Powder Paint (White / Smooth) | Polyester-Epoxy Hybrid | White RAL9003 | Smooth |
| 1 | 881 SP4236-P | 0 | 881 SP - Inner Panel Part | 12 Ga H.R.P. & O. | White | Smooth |

Parts List

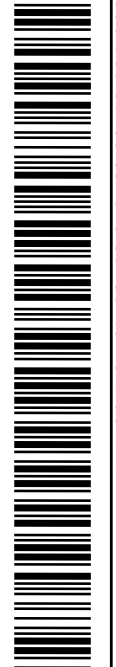
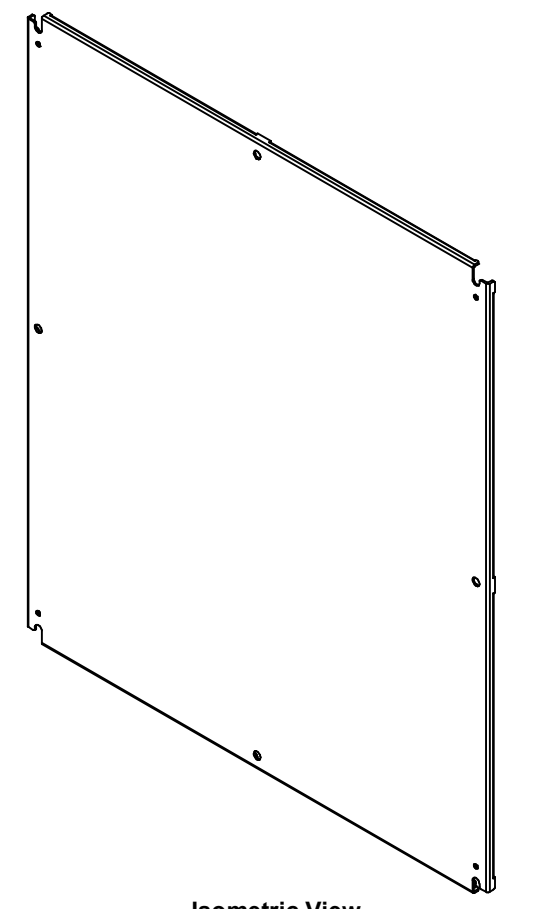
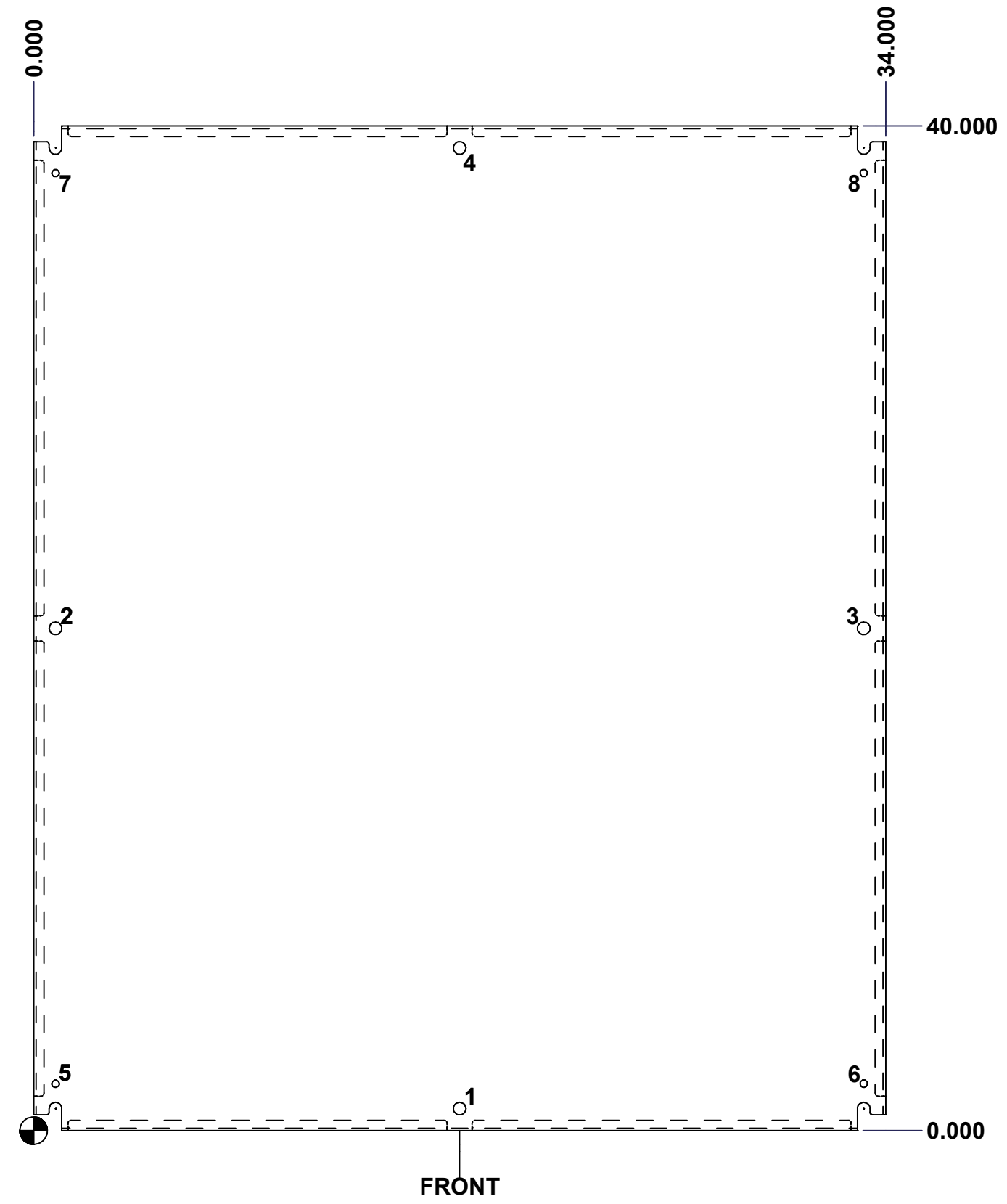
This drawing is confidential and must not be reproduced or used without the consent of EXM


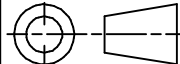
Ce dessin est confidentiel et ne doit pas être reproduit ou utilisé sans le consentement de EXM

| Table 1 | | | FRONT VIEW |
|---------|--------|--------|----------------------------|
| CUT-OUT | XDIM | YDIM | DESCRIPTION |
| 1 | 17.000 | 0.875 | MTG STUD HOLE (RND Ø0.500) |
| 2 | 0.875 | 20.000 | MTG STUD HOLE (RND Ø0.500) |
| 3 | 33.125 | 20.000 | MTG STUD HOLE (RND Ø0.500) |
| 4 | 17.000 | 39.125 | MTG STUD HOLE (RND Ø0.500) |
| 5 | 0.875 | 1.875 | GROUND HOLE (RND Ø0.290) |
| 6 | 33.125 | 1.875 | GROUND HOLE (RND Ø0.290) |
| 7 | 0.875 | 38.125 | GROUND HOLE (RND Ø0.290) |
| 8 | 33.125 | 38.125 | GROUND HOLE (RND Ø0.290) |

All knockouts are actual size / Les disques défonçables sont grandeur réel

| No. | Revisions | Date | By/Par |
|-----|-----------|------|--------|
| | | | |
| | | | |
| | | | |
| | | | |
| | | | |
| | | | |



| | | |
|--|---------------|---|
|  Tél: (450) 979-4373 Fax: (450) 979-4626 www.exmweb.com | | Flatness Aplatissement Max 3.0mm Projection  |
| Customer Client | Date | |
| Drawn By Dessiné Par | BoxCad | Date 1/23/2007 |
| Material Matière | See Part List | |
| Color Couleur | See Part List | Finish Fini See Part List |
| Description 881 SP - Inner Panel | | Detail Rev. |
| Part Number Numéro Pièce | 881 SP4236 | Rev. 2 0 |