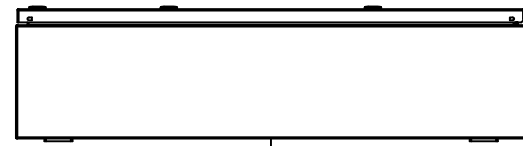


This drawing is confidential and must not be reproduced or used without the consent of EXM

Ce dessin est confidentiel et ne doit pas être reproduit ou utilisé sans le consentement de EXM

| No. | Revisions | Date | By/Par |
|-----|-----------|------|--------|
|     |           |      |        |
|     |           |      |        |
|     |           |      |        |
|     |           |      |        |
|     |           |      |        |



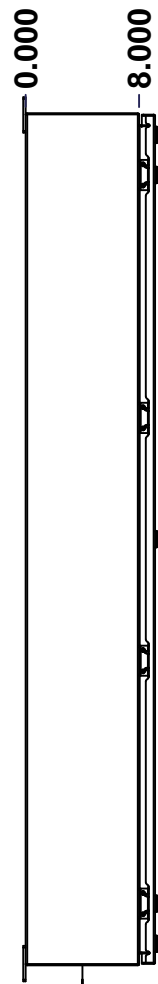
TOP



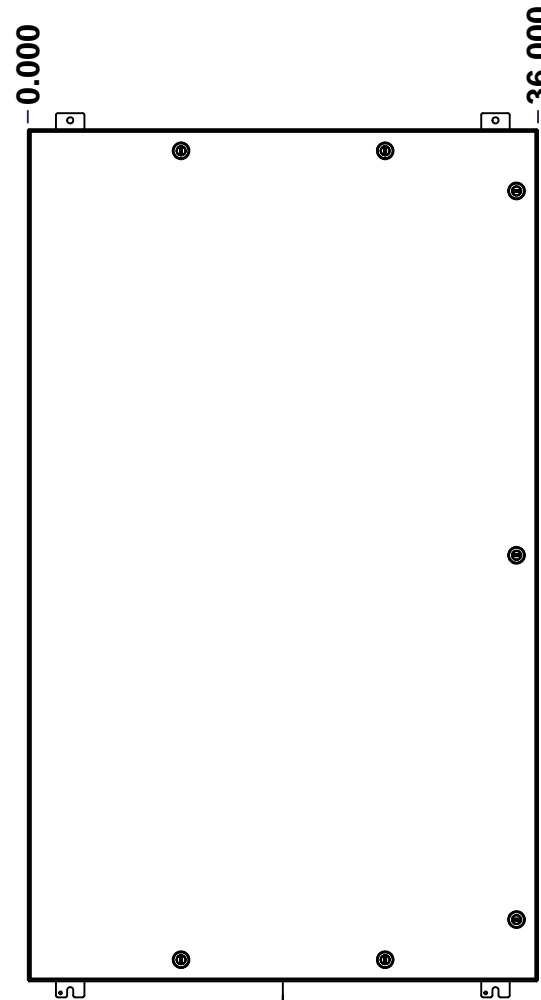
BACK



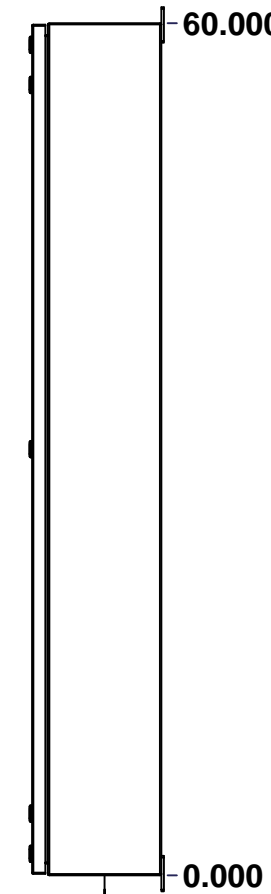
BOTTOM



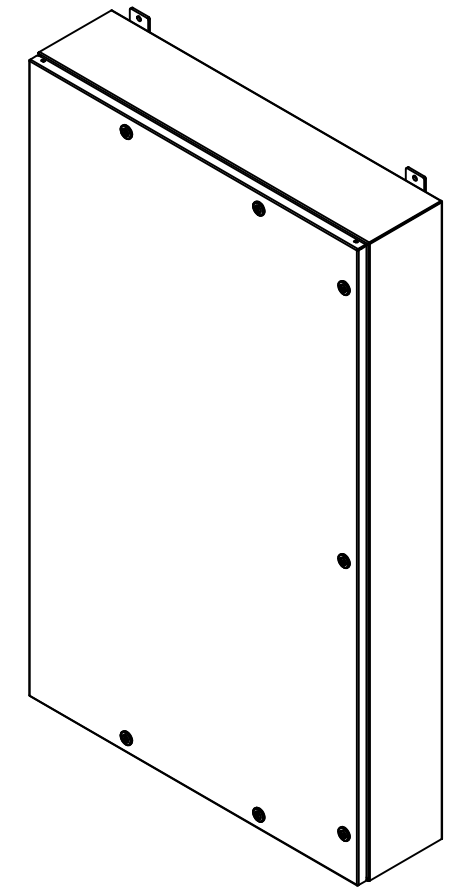
LEFT



FRONT



RIGHT



Isometric View

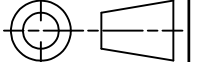


Tél: (450) 979-4373  
 Fax: (450) 979-4626  
[www.exmweb.com](http://www.exmweb.com)

Flatness  
Aplatissement

Max 3.0mm

Projection



|                                       |                  |
|---------------------------------------|------------------|
| Customer Client                       | Date             |
| Drawn By / Dessiné Par: BoxCad: Annie | Date: 17/04/2014 |

Material / Matière: 14 Ga H.R.P. & O. (1.7mm)

Color / Couleur: Asa-61 Grey      Finish / Fini: Smooth

Description: 5412ESPR 60" x 36" x 8" Assembly      Detail Rev.

|   |        |
|---|--------|
| Part Number / Numéro Pièce: <b>5412ESPR603608</b> | Rev. 1 |
|   | Rev. 0 |
|   | 2      |

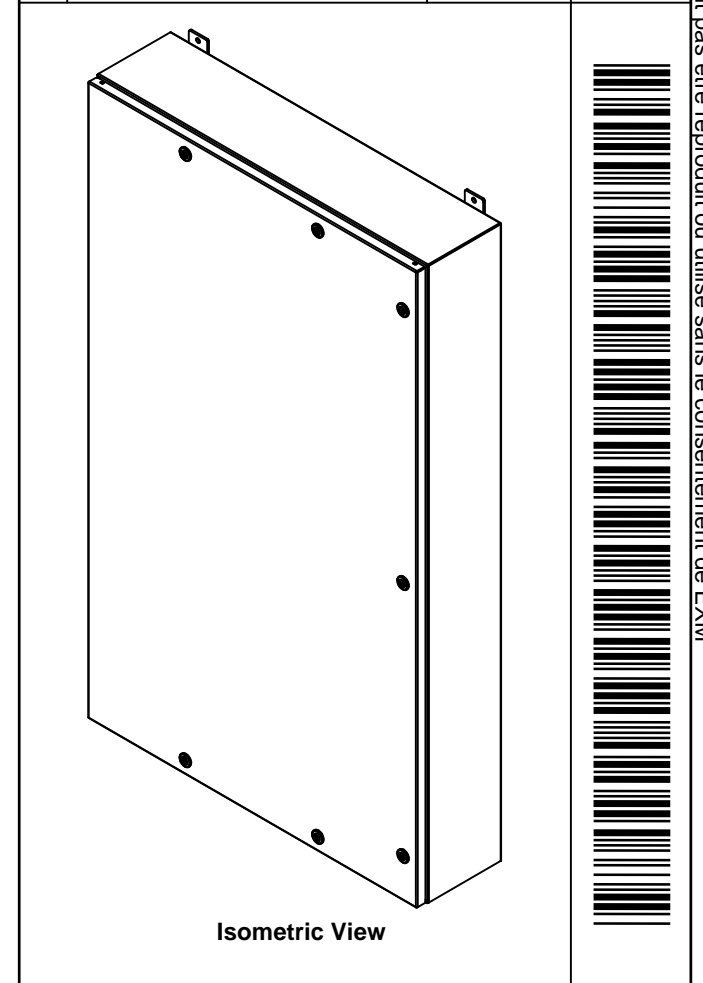
SEE BILL OF MATERIAL ON LAST PAGE


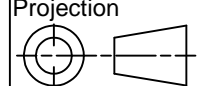
This drawing is confidential and must not be reproduced or used without the consent of EXM

Ce dessin est confidentiel et ne doit pas être reproduit ou utilisé sans le consentement de EXM

| NOTE |  |
|------|--|
| ITEM | DESCRIPTION                                |
| 1    | NEMA 4/12 Enclosure                        |
| 2    | C/W Standard ground studs on box and cover |
| 3    | W/O Standard door stiffener                |
| 4    | C/W Standard inner panel (Sold seperately) |
| 5    | C/W Standard inner panel mounting studs    |

| No. | Revisions | Date | By/Par |
|-----|-----------|------|--------|
|     |           |      |        |
|     |           |      |        |
|     |           |      |        |
|     |           |      |        |
|     |           |      |        |
|     |           |      |        |

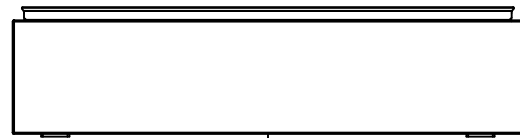


|  |                           |   |
|--|---------------------------|---|
|  Tél: (450) 979-4373<br>Fax: (450) 979-4626<br><a href="http://www.exmweb.com">www.exmweb.com</a> |                           | Flatness<br>Aplatissement<br>Max 3.0mm<br>Projection<br> |
| Customer<br>Client   | Date                      |   |
| Drawn By<br>Dessiné Par  | BoxCad: Annie             | Date 17/04/2014   |
| Material<br>Matière  | 14 Ga H.R.P. & O. (1.7mm) |   |
| Color<br>Couleur   | Asa-61 Grey               | Finish<br>Fini Smooth   |
| Description  |                           | Detail Rev.   |
| 5412ESPR 60" x 36" x 8" Assembly   |                           |   |
| Part Number<br>Numéro Pièce  | 5412ESPR603608            | Rev. 2  |
|  |                           | 0   |

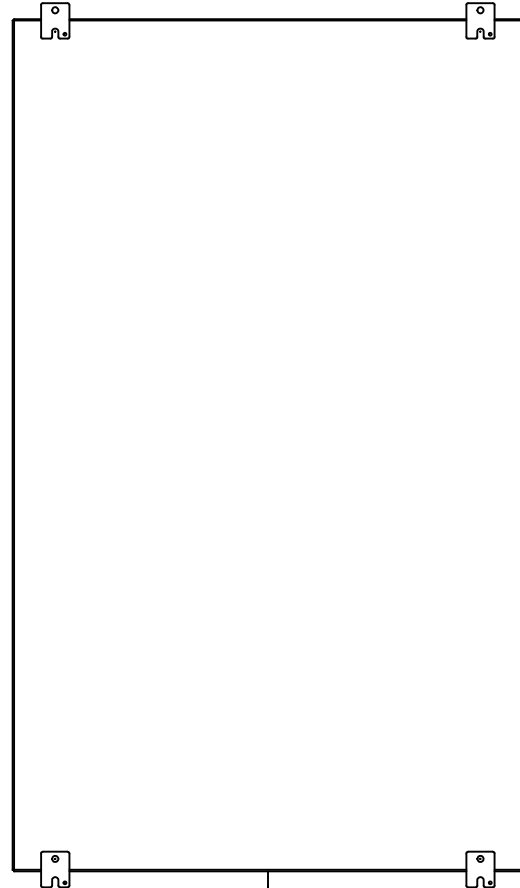
| Qty        | Part Number     | Rev | Description                       |
|------------|-----------------|-----|-----------------------------------|
| 1          | 880 PP          | 0   | Self Adhesive Print Pocket        |
| 1          | STK-K-01800     | 0   | 5412 ES Accessory Kit             |
| 8          | STK-Q-03000     | 0   | M5 x 8mm Phillips Flat Head Screw |
| 1          | 881 SP6036      | 0   | 881 SP - Inner Panel              |
| 1          | 5412ESPR603608C | 0   | 5412ESPR 60" x 36" Cover          |
| 8          | STK-Q-07310     | 2   | Flange Lock Nut M8                |
| 8          | STK-Q-07610     | 7   | M8 Plastic Spacer 22.2mm          |
| 1          | 5412ESPR603608B | 0   | 5412ESPR 60" x 36" x 8" Body      |
| Parts List |                 |     |                                   |

This drawing is confidential and must not be reproduced or used without the consent of EXM

Ce dessin est confidentiel et ne doit pas être reproduit ou utilisé sans le consentement de EXM



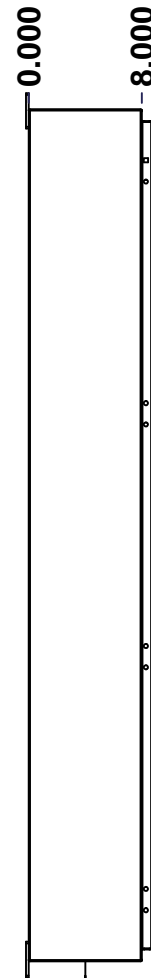
TOP



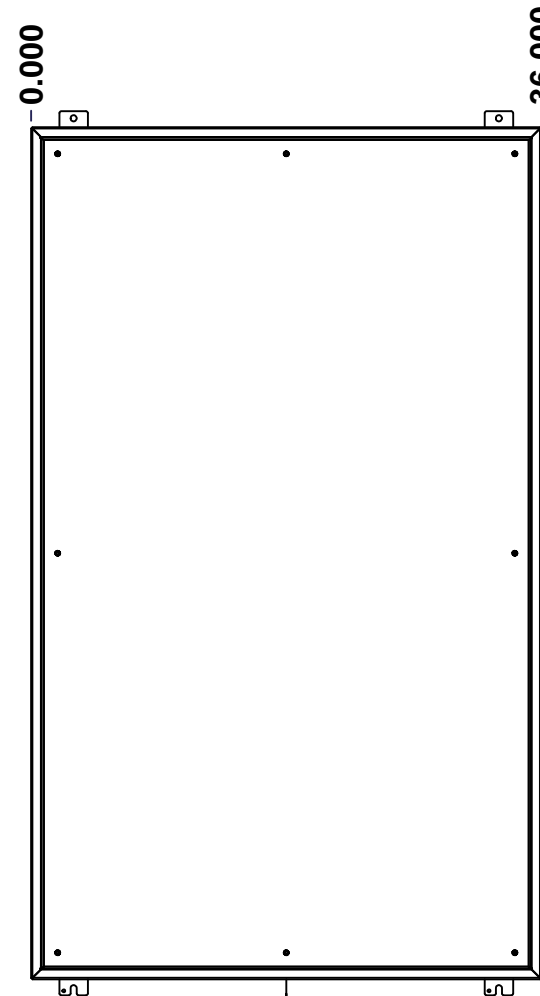
BACK



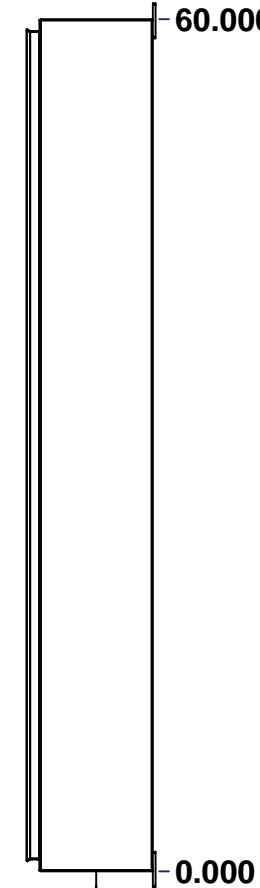
BOTTOM



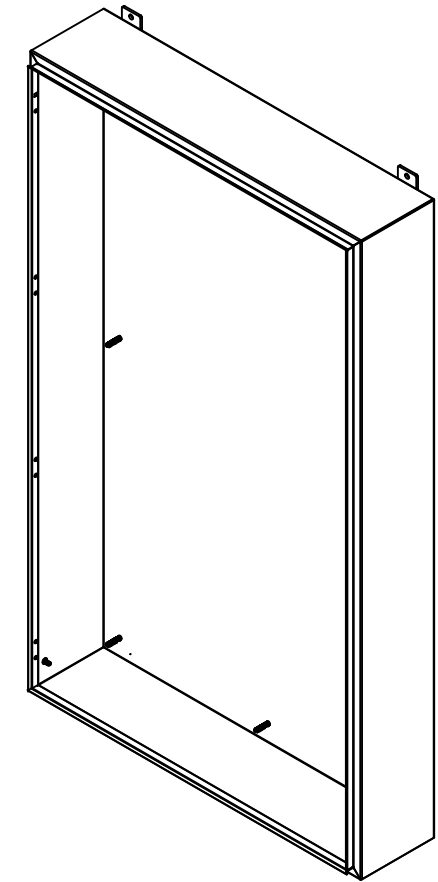
LEFT



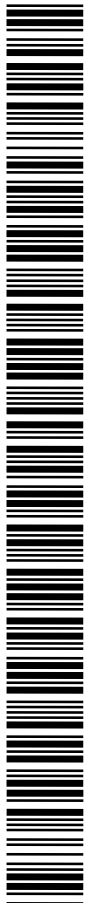
FRONT




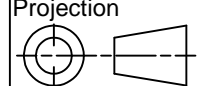
RIGHT



Isometric View



| No. | Revisions | Date | By/Par |
|-----|-----------|------|--------|
|     |           |      |        |
|     |           |      |        |
|     |           |      |        |
|     |           |      |        |
|     |           |      |        |

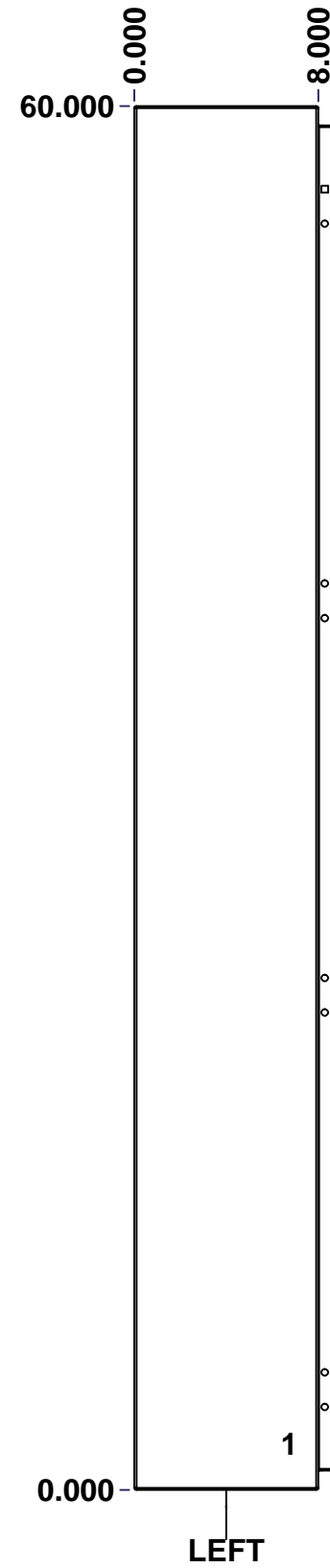
|  |                           |   |
|--|---------------------------|---|
|  Tél: (450) 979-4373<br>Fax: (450) 979-4626<br><a href="http://www.exmweb.com">www.exmweb.com</a> |                           | Flatness<br>Aplatissement<br>Max 3.0mm<br>Projection<br> |
| Customer Client  | Date                      |   |
| Drawn By<br>Dessiné Par  | BoxCad: Annie             | Date 17/04/2014   |
| Material<br>Matière  | 14 Ga H.R.P. & O. (1.7mm) |   |
| Color<br>Couleur   | Asa-61 Grey               | Finish<br>Fini Smooth   |
| Description  | Detail Rev.               |   |
| 5412ESPR 60" x 36" x 8" Body   |                           |   |
| Part Number<br>Numéro Pièce  | Rev. 0                    | 1 / 7   |
| <b>5412ESPR603608B</b>   |                           |   |

SEE BILL OF MATERIAL ON LAST PAGE

This drawing is confidential and must not be reproduced or used without the consent of EXM

Ce dessin est confidentiel et ne doit pas être reproduit ou utilisé sans le consentement de EXM

| <b>STANDARD FEATURES ARE NOT LISTED IN THIS HOLE TABLE</b> |       |       |                             |
|--|-------|-------|-----------------------------|
| <b>HOLE TABLE - LEFT VIEW (CUSTOM FEATURE ONLY)</b>        |       |       |                             |
| CUT-OUT  | XDIM  | YDIM  | DESCRIPTION                 |
| 1  | 6.500 | 2.000 | GND STUD M6 x 16mm (Inside) |



|  |                              |          |
|--|------------------------------|----------|
|  | Description                  | Status   |
|  | 5412ESPR 60" x 36" x 8" Body |          |
|  | Part Number<br>Numéro Pièce  | Rev.     |
|  | <b>5412ESPR603608B</b>       | <b>0</b> |
|  |                              | 5 / 7    |

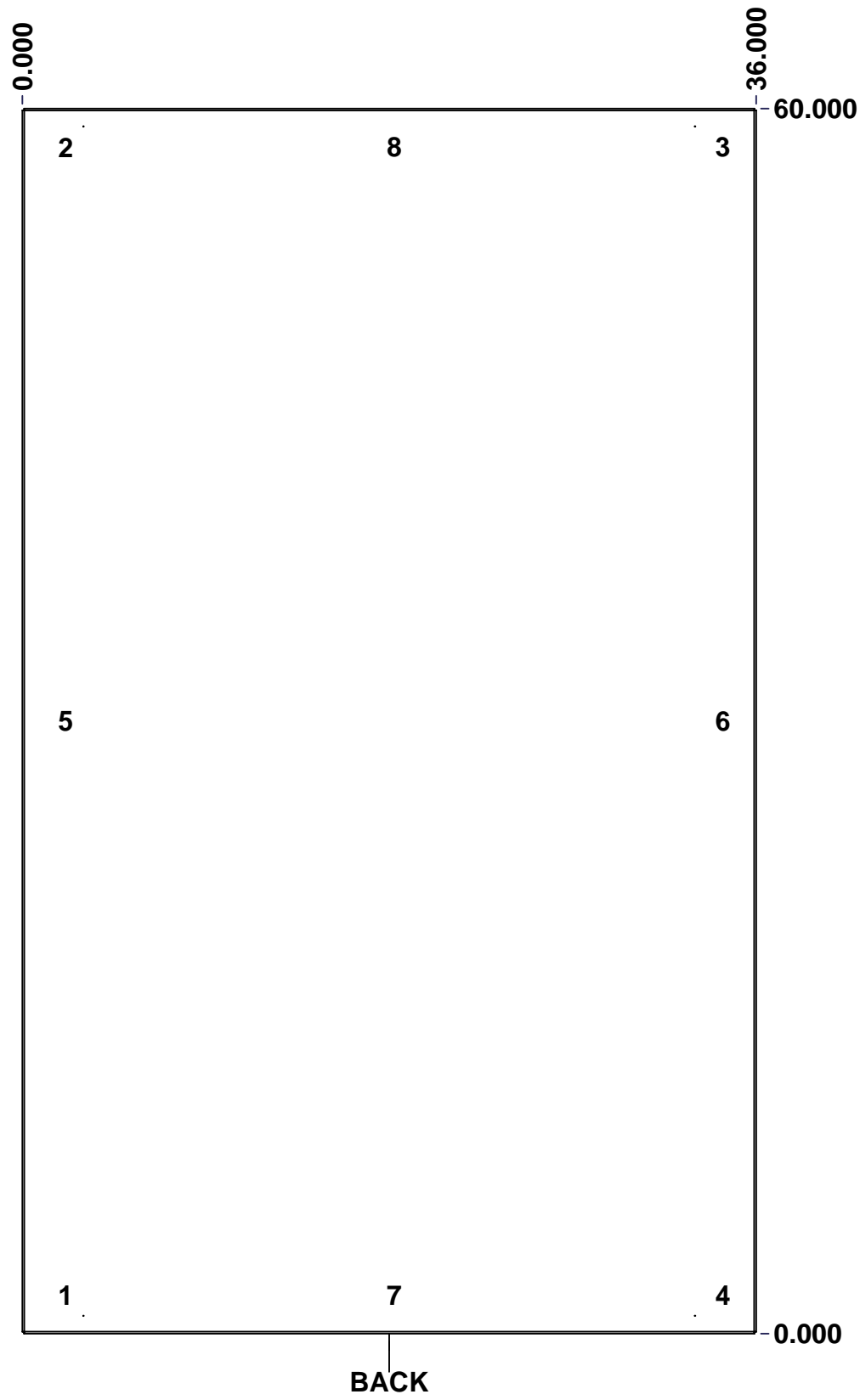
This drawing is confidential and must not be reproduced or used without the consent of EXM

Ce dessin est confidentiel et ne doit pas être reproduit ou utilisé sans le consentement de EXM

**STANDARD FEATURES ARE NOT LISTED IN THIS HOLE TABLE**

**HOLE TABLE - BACK VIEW (CUSTOM FEATURE ONLY)**

| CUT-OUT | XDIM   | YDIM   | DESCRIPTION                |
|---------|--------|--------|----------------------------|
| 1       | 1.875  | 1.875  | IP STUD M8 x 35mm (Inside) |
| 2       | 1.875  | 58.125 | IP STUD M8 x 35mm (Inside) |
| 3       | 34.125 | 58.125 | IP STUD M8 x 35mm (Inside) |
| 4       | 34.125 | 1.875  | IP STUD M8 x 35mm (Inside) |
| 5       | 1.875  | 30.000 | IP STUD M8 x 35mm (Inside) |
| 6       | 34.125 | 30.000 | IP STUD M8 x 35mm (Inside) |
| 7       | 18.000 | 1.875  | IP STUD M8 x 35mm (Inside) |
| 8       | 18.000 | 58.125 | IP STUD M8 x 35mm (Inside) |

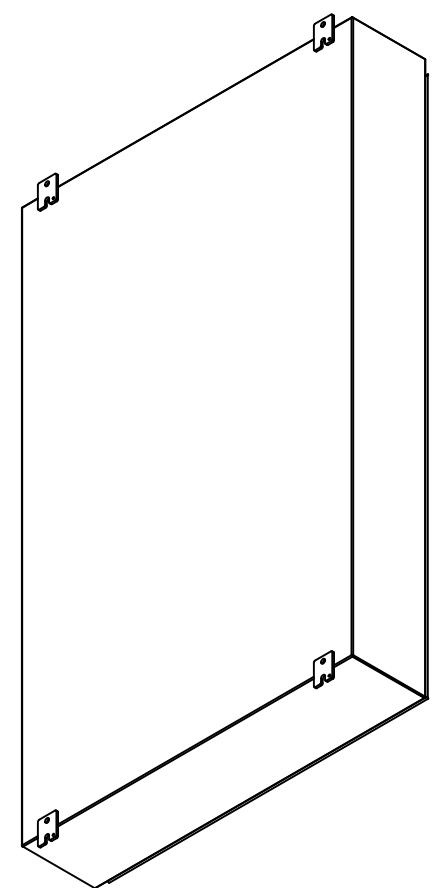


|  |                              |          |   |
|--|------------------------------|----------|---|
|  | Description                  | Status   |   |
|  | 5412ESPR 60" x 36" x 8" Body |          |   |
|  | Part Number<br>Numéro Pièce  | Rev.     | 6 |
|  | <b>5412ESPR603608B</b>       | <b>0</b> | 7 |

This drawing is confidential and must not be reproduced or used without the consent of EXM


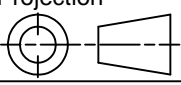
Ce dessin est confidentiel et ne doit pas être reproduit ou utilisé sans le consentement de EXM

| No. | Revisions | Date | By/Par |
|-----|-----------|------|--------|
|     |           |      |        |
|     |           |      |        |
|     |           |      |        |
|     |           |      |        |
|     |           |      |        |



Isometric View

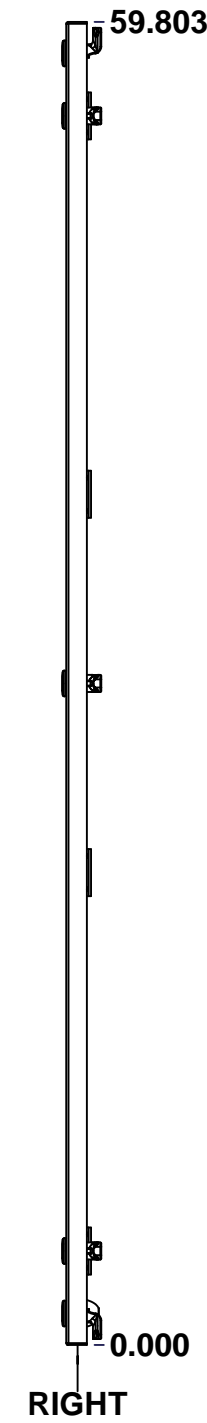
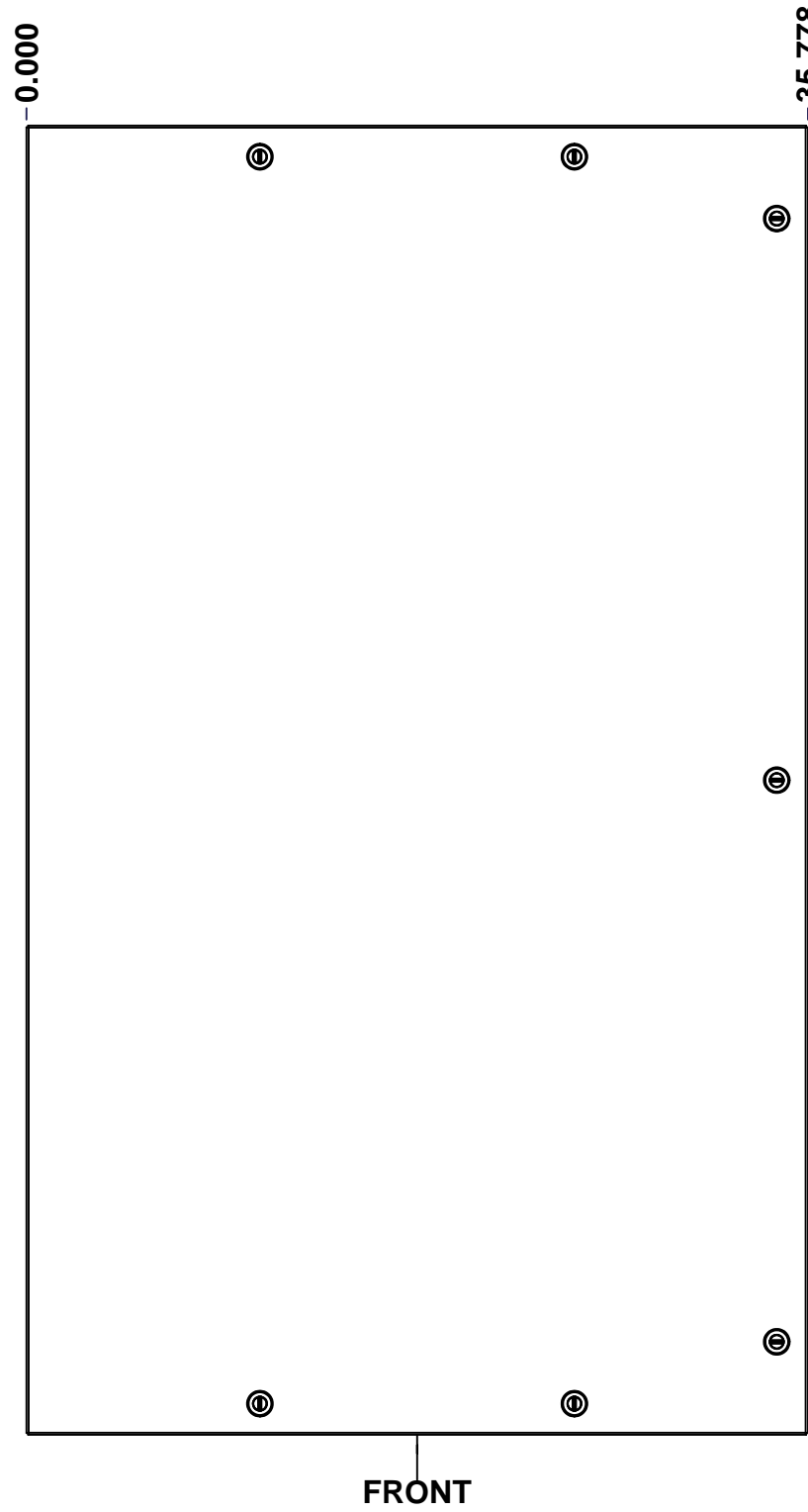
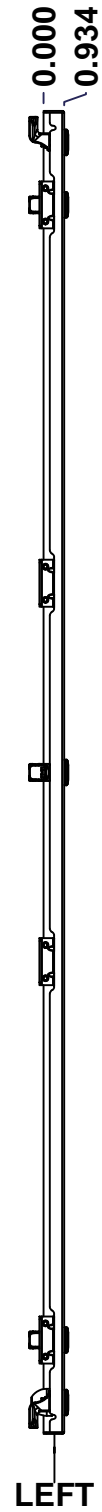
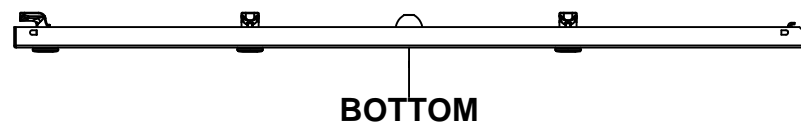
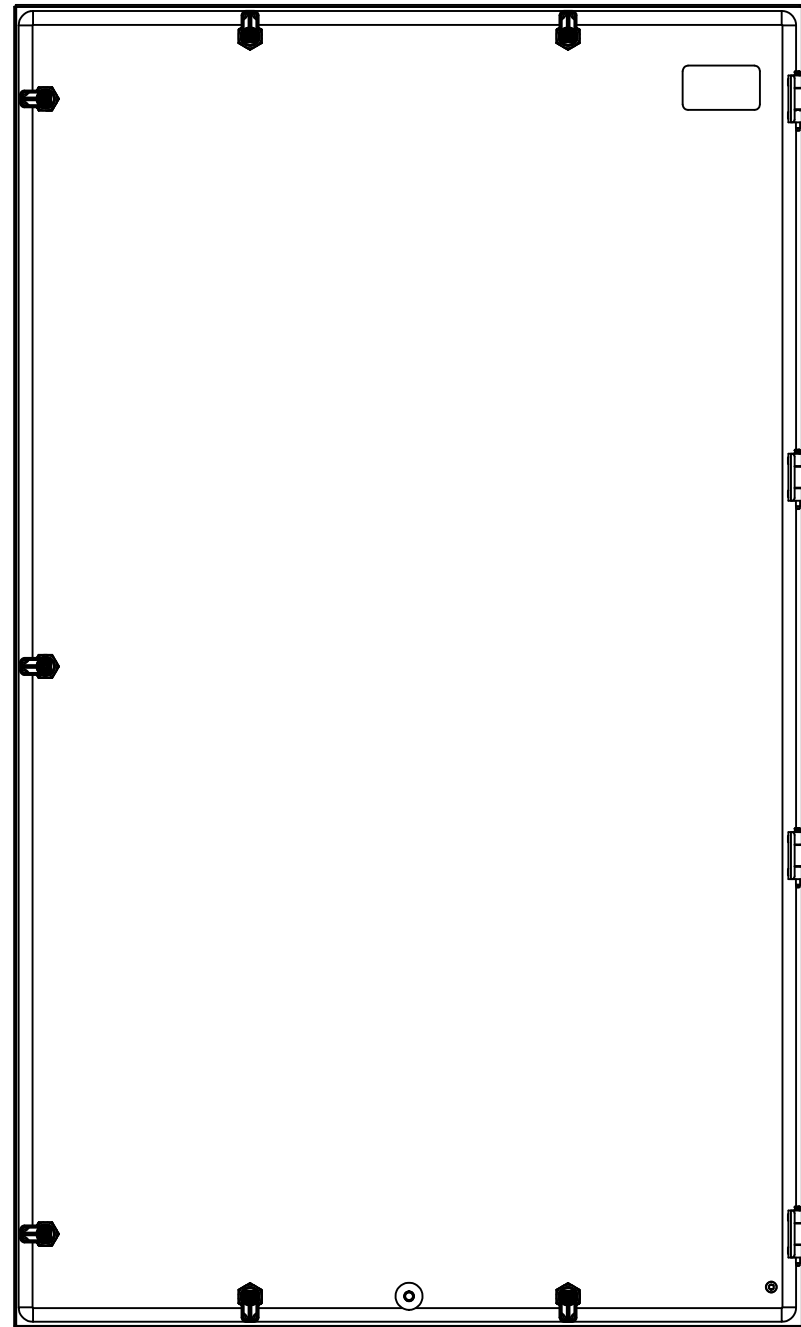
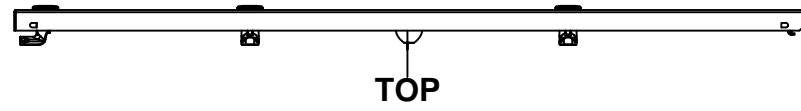


|  |                        |   |
|--|------------------------|---|
|  Tél: (450) 979-4373<br>Fax: (450) 979-4626<br><a href="http://www.exmweb.com">www.exmweb.com</a> |                        | Flatness<br>Aplatissement<br>Max 3.0mm<br>Projection<br> |
| Customer<br>Client   | Date                   |   |
| Drawn By<br>Dessiné Par  | BoxCad: Annie          | Date 17/04/2014   |
| Material<br>Matière: 14 Ga H.R.P. & O. (1.7mm)   |                        |   |
| Color<br>Couleur: Asa-61 Grey  | Finish<br>Fini: Smooth |   |
| Description: 5412ESPR 60" x 36" x 8" Body  |                        | Detail Rev.   |
| Part Number<br>Numéro Pièce: <b>5412ESPR603608B</b>  |                        | Rev. 7  |
|  |                        | 0 / 7   |

| Qty        | Part Number       | Rev   | Description                          |
|------------|-------------------|-------|--------------------------------------|
| 1          | STK-P-02400S      | 0     | Powder Paint (Asa-61 Grey / Smooth)  |
| 4          | STK-Q-71000       | 0     | Steel Mounting Tab                   |
| 8          | STK-Q-16005       | 1     | Stud M8 x 35 (No Paint Cap Required) |
| 1          | STK-Q-16080       | 0.1.1 | M6 x 16mm Ground Stud                |
| 1          | 5412ESPR603608B-P | 0     | 5412ESPR 60" x 36" x 8" Body Part    |
| Parts List |                   |       |                                      |

This drawing is confidential and must not be reproduced or used without the consent of EXM

Ce dessin est confidentiel et ne doit pas être reproduit ou utilisé sans le consentement de EXM



| No. | Revisions | Date | By/Par |
|-----|-----------|------|--------|
|     |           |      |        |
|     |           |      |        |
|     |           |      |        |
|     |           |      |        |

Isometric View

|  |                           |  |
|--|---------------------------|--|
| Tél: (450) 979-4373<br>Fax: (450) 979-4626<br><a href="http://www.exmweb.com">www.exmweb.com</a> |                           | Flatness<br>Aplatissement<br>Max 3.0mm<br>Projection<br> |
| Customer Client  | Date                      |  |
| Drawn By<br>Dessiné Par  | BoxCad: Annie             | Date 17/04/2014  |
| Material<br>Matière  | 14 Ga H.R.P. & O. (1.7mm) |  |
| Color<br>Couleur   | Asa-61 Grey               | Finish<br>Fini Smooth                                    |
| Description  | Detail Rev.               |  |
| 5412ESPR 60" x 36" Cover   |                           |  |
| Part Number<br>Numéro Pièce  | Rev. 0                    | 1 / 3  |

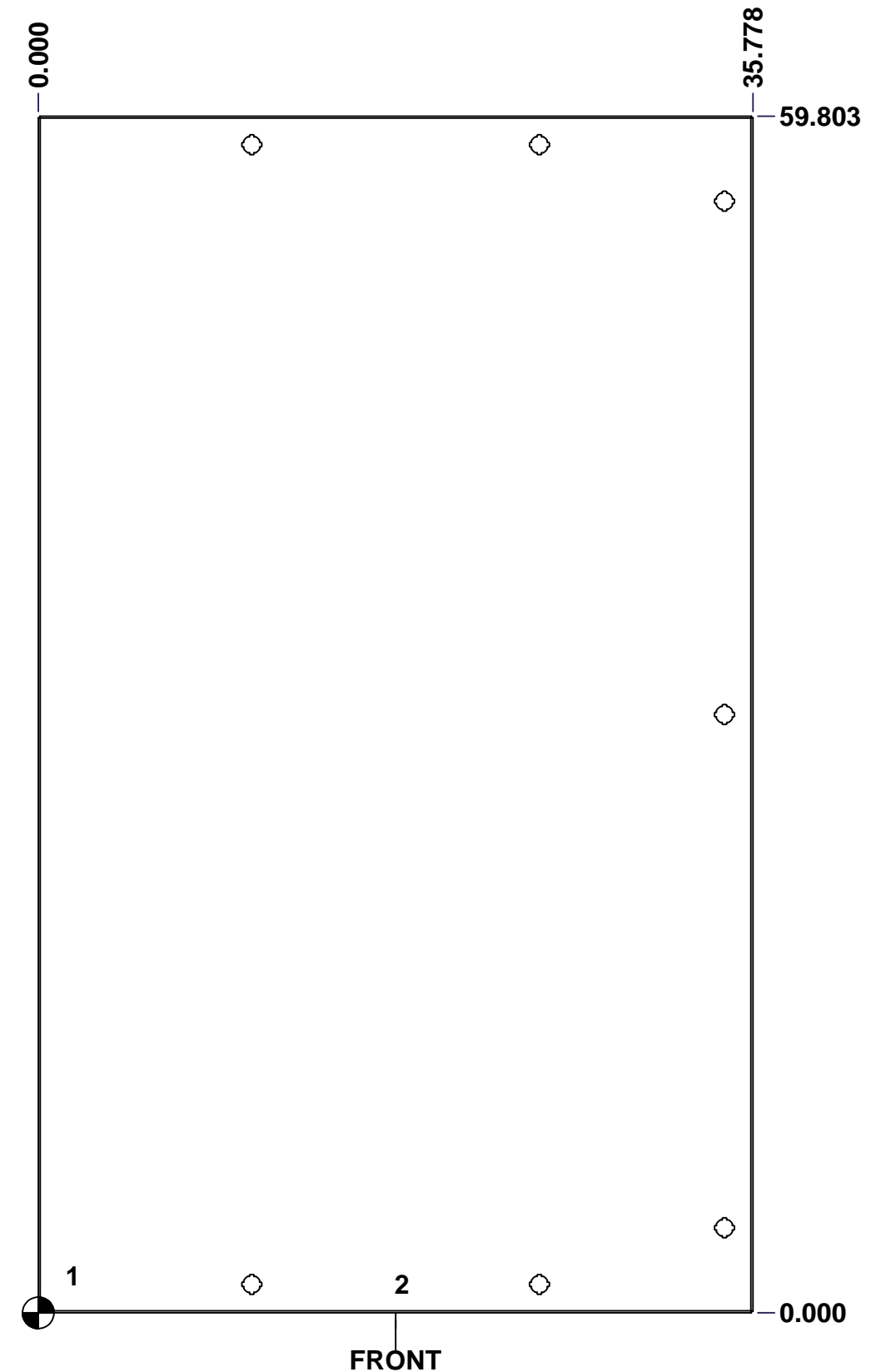
SEE BILL OF MATERIAL ON LAST PAGE

**5412ESPR603608C**

This drawing is confidential and must not be reproduced or used without the consent of EXM

Ce dessin est confidentiel et ne doit pas être reproduit ou utilisé sans le consentement de EXM

| STANDARD FEATURES ARE NOT LISTED IN THIS HOLE TABLE |        |       |                             |
|---|--------|-------|-----------------------------|
| HOLE TABLE - FRONT VIEW (CUSTOM FEATURE ONLY)       |        |       |                             |
| CUT-OUT   | XDIM   | YDIM  | DESCRIPTION                 |
| 1   | 1.486  | 1.850 | GND STUD M6 x 16mm (Inside) |
| 2   | 17.959 | 1.435 | STUD M6 x 18mm (Inside)     |



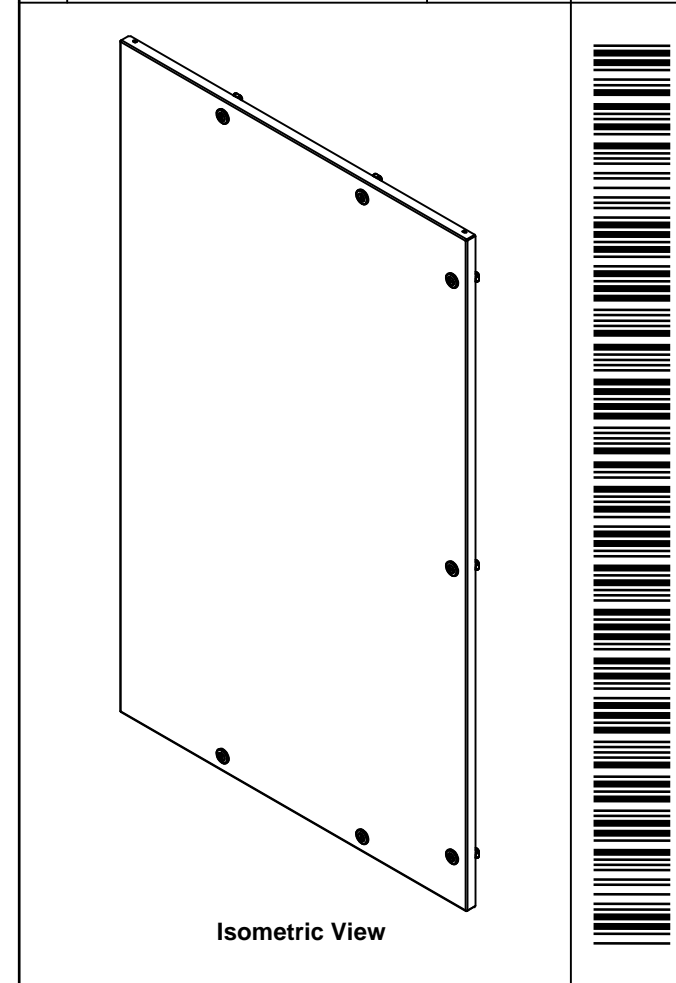
|  |                             |          |
|--|-----------------------------|----------|
|  | Description                 | Status   |
|  | 5412ESPR 60" x 36" Cover    | (NULL)   |
|  | Part Number<br>Numéro Pièce | Rev.     |
|  | <b>5412ESPR603608C</b>      | <b>0</b> |
|  |                             | 2        |
|  |                             | 3        |



This drawing is confidential and must not be reproduced or used without the consent of EXM

Ce dessin est confidentiel et ne doit pas être reproduit ou utilisé sans le consentement de EXM

| No. | Revisions | Date | By/Par |
|-----|-----------|------|--------|
|     |           |      |        |
|     |           |      |        |
|     |           |      |        |
|     |           |      |        |
|     |           |      |        |



| Qty        | Part Name         | Rev   | Description                            |
|------------|-------------------|-------|--|
| 1          | STK-P-02400S      | 0     | Powder Paint (Asa-61 Grey / Smooth)    |
| 1          | STK-S-00100       | 0.1.1 | 3.5" x 2" Silver Milar Flexcon Sticker |
| 1          | STK-Q-46515       | 2     | 5412 ES Door Support with Brass Insert |
| 1          | STK-Q-16055       | 1     | M6 x 18mm Stud (No Paint Cap Required) |
| 1          | STK-Q-16080       | 0.1.1 | M6 x 16mm Ground Stud                  |
| 4          | STK-Q-33105       | 4     | 5412 ESBU Buttable Hinge (Cover Part)  |
| 1          | 5412ESPR603608G   | 0     | 5412ESPR 60" x 36" Cover Gasket        |
| 1          | 5412ESPR603608C-P | 0     | 5412ESPR 60" x 36" Cover Part          |
| 7          | 880 SCQ4-SL       | 0     | 5412 ES 1/4 Turn Lock                  |
| 4          | STK-A-33005       | 1     | 5412 ESBU Hinge 180° (Body Part)       |
| Parts List |                   |       |  |



Tél: (450) 979-4373  
Fax: (450) 979-4626  
[www.exmweb.com](http://www.exmweb.com)

Flatness  
Aplatissement  
Max 3.0mm

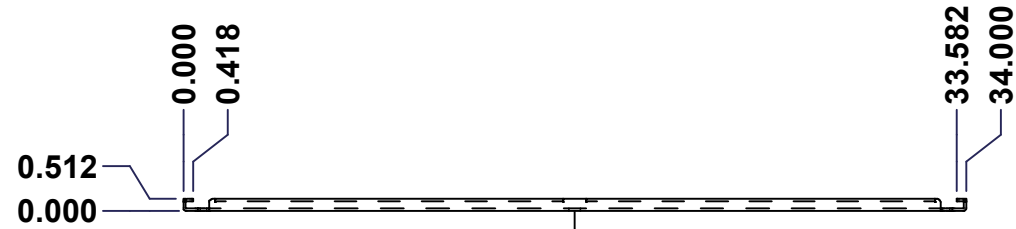
Projection



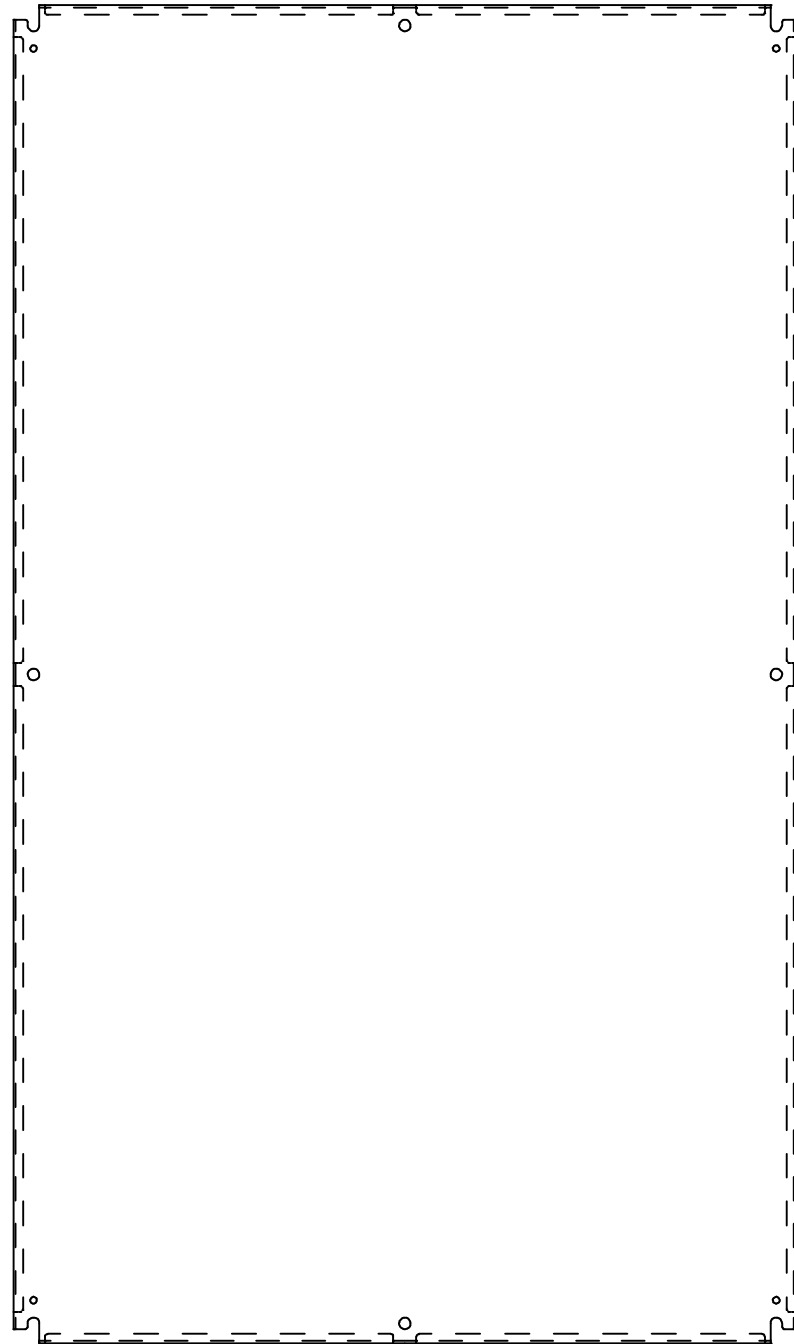
|                                       |                           |
|---------------------------------------|---------------------------|
| Customer Client                       | Date                      |
| Drawn By<br>Dessiné Par BoxCad: Annie | Date 17/04/2014           |
| Material<br>Matière                   | 14 Ga H.R.P. & O. (1.7mm) |
| Color<br>Couleur                      | Asa-61 Grey               |
| Finish<br>Fini                        | Smooth                    |
| Description                           | Detail Rev.               |
| 5412ESPR 60" x 36" Cover              |                           |
| Part Number<br>Numéro Pièce           | Rev. 3                    |
| <b>5412ESPR603608C</b>                | <b>0</b>                  |

This drawing is confidential and must not be reproduced or used without the consent of EXM

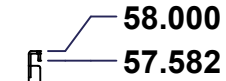
Ce dessin est confidentiel et ne doit pas être reproduit ou utilisé sans le consentement de EXM



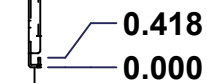
TOP



FRONT



RIGHT



| No. | Revisions | Date | By/Par |
|-----|-----------|------|--------|
|     |           |      |        |
|     |           |      |        |
|     |           |      |        |
|     |           |      |        |
|     |           |      |        |

**Isometric View**

|  |               |                           |               |
|--|---------------|---------------------------|---------------|
| Tél: (450) 979-4373<br>Fax: (450) 979-4626<br>www.exmweb.com |               | Flatness<br>Aplatissement |               |
|  |               | Max 3.0mm                 |               |
| Customer<br>Client   |               | Date                      |               |
| Drawn By<br>Dessiné Par: BoxCad                              |               | Date: 1/23/2007           |               |
| Material<br>Matière  |               | See Part List             |               |
| Color<br>Couleur   | See Part List | Finish<br>Fini            | See Part List |
| Description  |               | Detail Rev.               |               |
| 881 SP - Inner Panel   |               |                           |               |
| Part Number<br>Numéro Pièce                                  |               | Rev.                      | 1             |
| <b>881 SP6036</b>  |               | <b>0</b>                  | 2             |

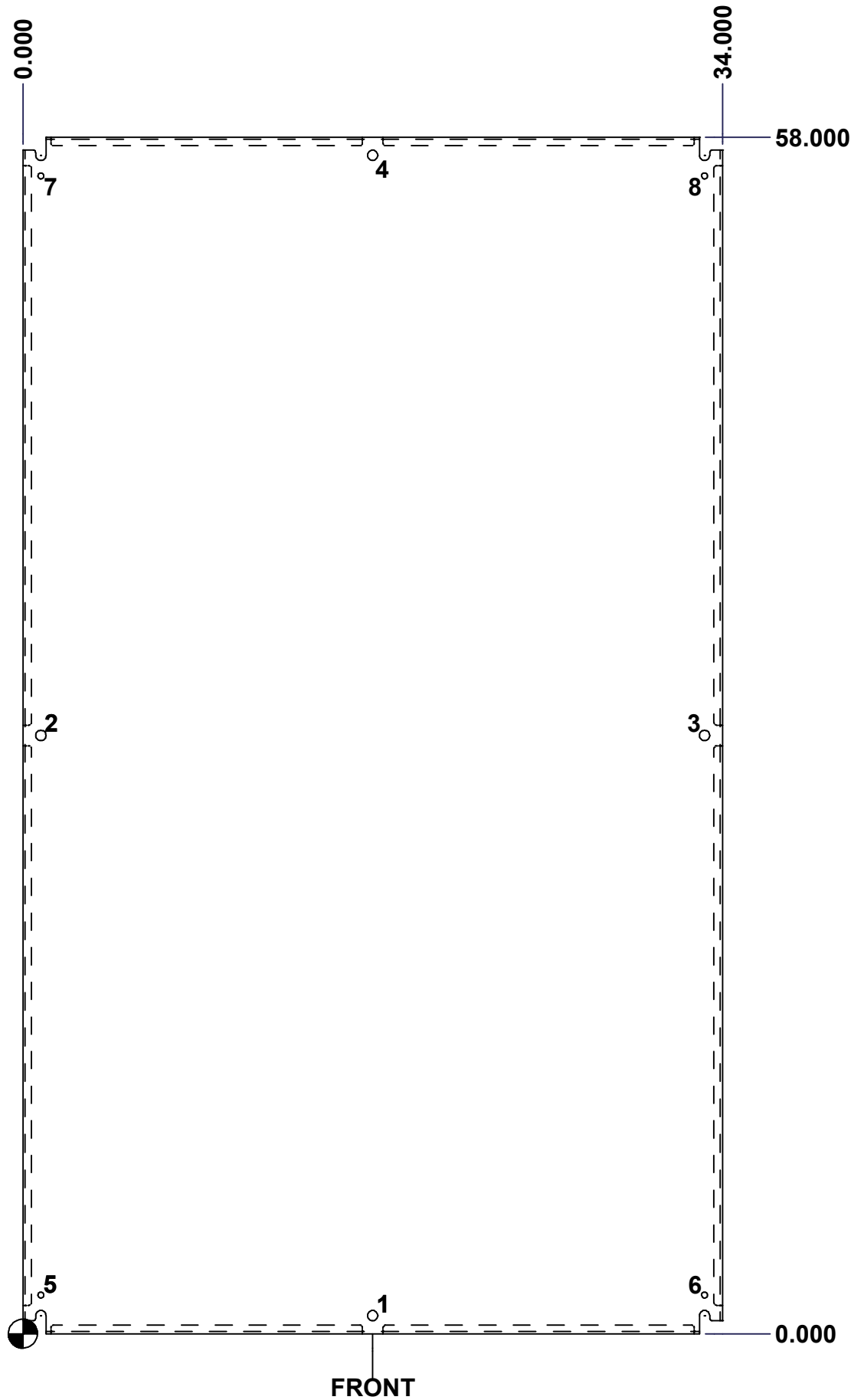
| Qty | Part Number  | Rev | Description                   | Material               | Color         | Finish |
|-----|--------------|-----|-------------------------------|------------------------|---------------|--------|
| 1   | STK-P-02401S | 0   | Powder Paint (White / Smooth) | Polyester-Epoxy Hybrid | White RAL9003 | Smooth |
| 1   | 881 SP6036-P | 0   | 881 SP - Inner Panel Part     | 12 Ga H.R.P. & O.      | White         | Smooth |

Parts List

This drawing is confidential and must not be reproduced or used without the consent of EXM

Ce dessin est confidentiel et ne doit pas être reproduit ou utilisé sans le consentement de EXM

| Table 1 |        |        | FRONT VIEW                 |
|---------|--------|--------|----------------------------|
| CUT-OUT | XDIM   | YDIM   | DESCRIPTION                |
| 1       | 17.000 | 0.875  | MTG STUD HOLE (RND Ø0.500) |
| 2       | 0.875  | 29.000 | MTG STUD HOLE (RND Ø0.500) |
| 3       | 33.125 | 29.000 | MTG STUD HOLE (RND Ø0.500) |
| 4       | 17.000 | 57.125 | MTG STUD HOLE (RND Ø0.500) |
| 5       | 0.875  | 1.875  | GROUND HOLE (RND Ø0.290)   |
| 6       | 33.125 | 1.875  | GROUND HOLE (RND Ø0.290)   |
| 7       | 0.875  | 56.125 | GROUND HOLE (RND Ø0.290)   |
| 8       | 33.125 | 56.125 | GROUND HOLE (RND Ø0.290)   |



All knockouts are actual size / Les disques défonçables sont grandeur réel

| No. | Revisions | Date | By/Par |
|-----|-----------|------|--------|
|     |           |      |        |
|     |           |      |        |
|     |           |      |        |
|     |           |      |        |
|     |           |      |        |
|     |           |      |        |

Isometric View

|                             |  |  |  |  |
|-----------------------------|--|--|--|--|
|                             |  | Tél: (450) 979-4373<br>Fax: (450) 979-4626<br>www.exmweb.com |  | Flatness<br>Aplatissement<br>Max 3.0mm |
| Customer<br>Client          |  | Date   |  | Projection<br>                         |
| Drawn By<br>Dessiné Par     |  | BoxCad   |  | Date 1/23/2007                         |
| Material<br>Matière         |  | See Part List  |  |  |
| Color<br>Couleur            |  | See Part List  |  | Finish<br>Fini                         |
| Description                 |  | Detail Rev.  |  |  |
| 881 SP - Inner Panel        |  | Rev. 2   |  |  |
| Part Number<br>Numéro Pièce |  | 881 SP6036   |  | 0                                      |