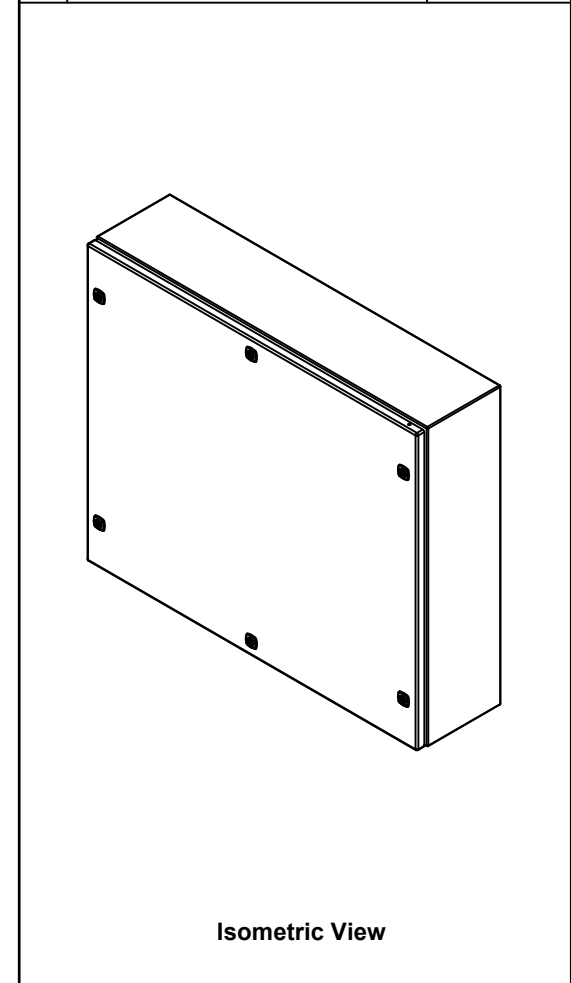
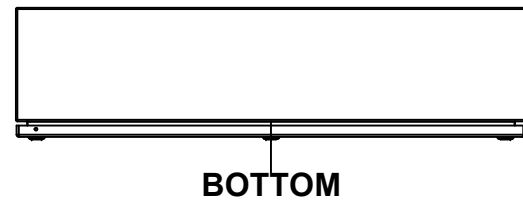
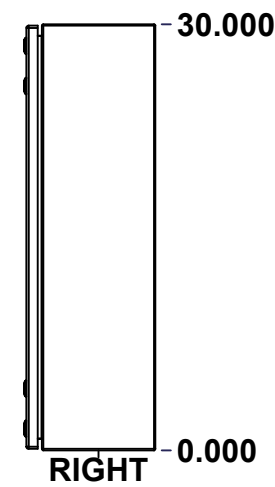
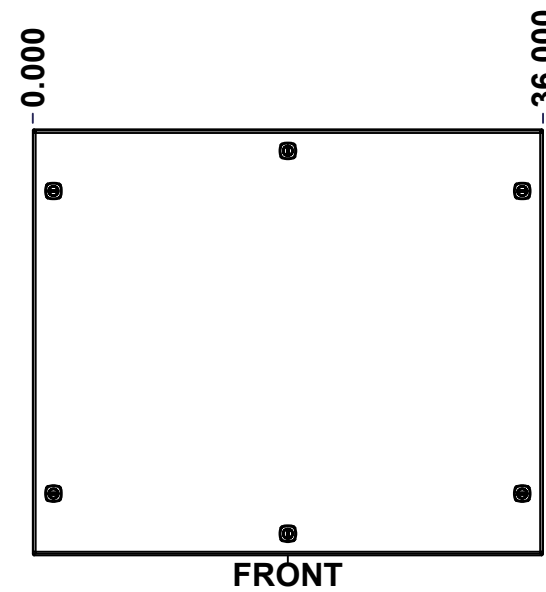
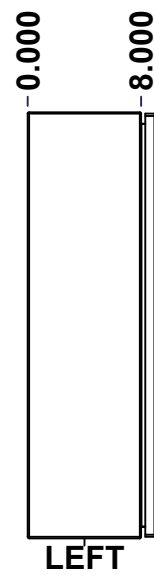
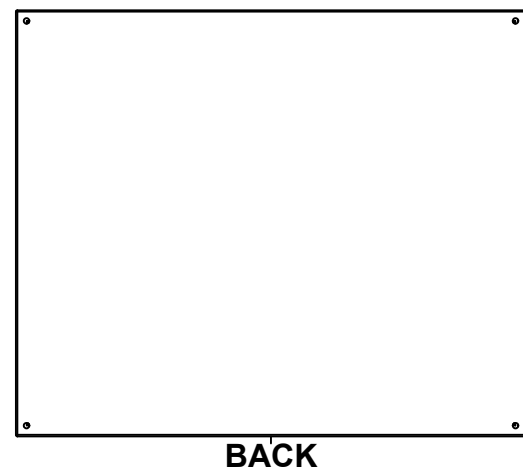
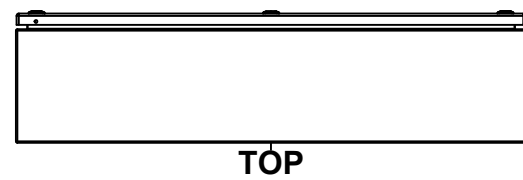

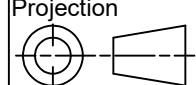


This drawing is confidential and must not be reproduced or used without the consent of EXM

Ce dessin est confidentiel et ne doit pas être reproduit ou utilisé sans le consentement de EXM

| No. | Revisions | Date | By/Par |
|-----|-----------|------|--------|
| | | | |
| | | | |
| | | | |
| | | | |
| | | | |



| | | |
|--|---------------------------|---|
|  Tél: (450) 979-4373 Fax: (450) 979-4626 www.exmweb.com | | Flatness Aplatissement Max 3.0mm Projection  |
| Customer Client | Date | |
| Drawn By Dessiné Par | BoxCad: BoxCad | Date 15-Jan-13 |
| Material Matière | 14 Ga H.R.P. & O. (1.7mm) | |
| Color Couleur | Asa-61 Grey | Finish Fini Smooth |
| Description | Detail Rev. | |
| 5412ESQT 30" x 36" x 8" Assembly | | |
| Part Number Numéro Pièce | Rev. | 1 |
| 5412ESQT303608 | 0 | 2 |

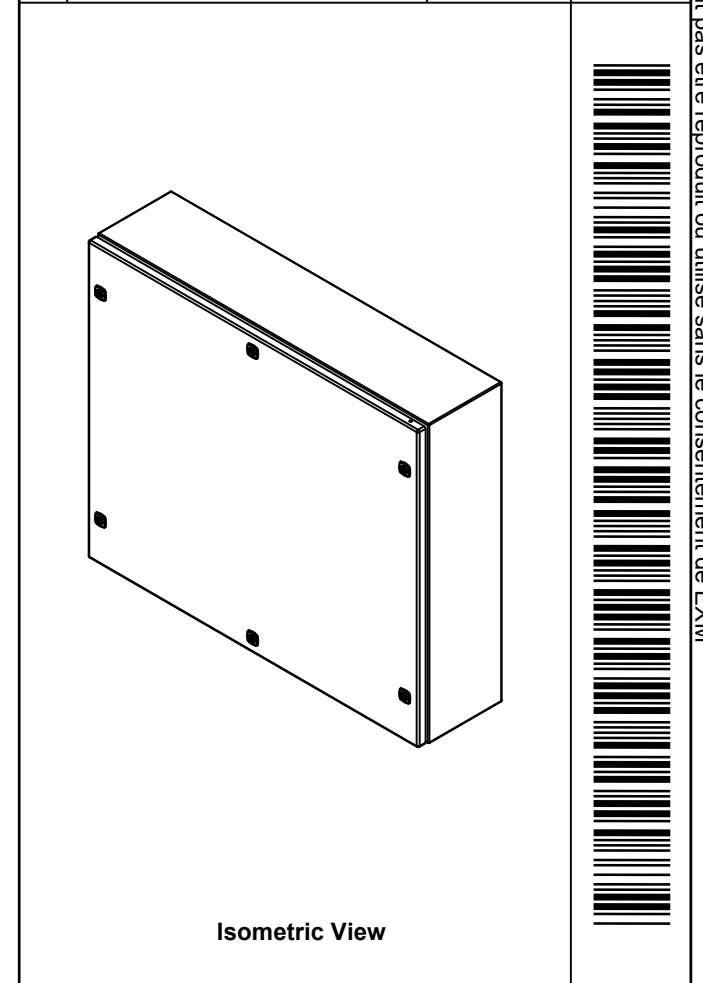
SEE BILL OF MATERIAL ON LAST PAGE


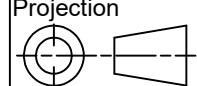
This drawing is confidential and must not be reproduced or used without the consent of EXM

Ce dessin est confidentiel et ne doit pas être reproduit ou utilisé sans le consentement de EXM

| NOTE | |
|------|--|
| ITEM | DESCRIPTION |
| 1 | NEMA 4/12 Enclosure |
| 2 | C/W Standard ground studs on box and cover |
| 3 | C/W Standard door stiffener |
| 4 | C/W Standard inner panel (Included) |
| 5 | C/W Standard inner panel mounting studs |

| No. | Revisions | Date | By/Par |
|-----|-----------|------|--------|
| | | | |
| | | | |
| | | | |
| | | | |
| | | | |
| | | | |



| | | |
|--|---------------------------|---|
|  Tél: (450) 979-4373 Fax: (450) 979-4626 www.exmweb.com | | Flatness Aplatissement Max 3.0mm Projection  |
| Customer Client | Date | |
| Drawn By Dessiné Par | BoxCad: BoxCad | Date 15-Jan-13 |
| Material Matière | 14 Ga H.R.P. & O. (1.7mm) | |
| Color Couleur | Asa-61 Grey | Finish Fini Smooth |
| Description | | Detail Rev. |
| 5412ESQT 30" x 36" x 8" Assembly | | |
| Part Number Numéro Pièce | 5412ESQT303608 | Rev. 0 |

| PACKING | | |
|-----------------------|-----|--|
| ITEM | QTY | DESCRIPTION |
| Cardboard sleeve | 2 | Top and Bottom |
| Cardboard strip | 2 | Between back of enclosure and inner panel |
| Plastic bag | 1 | To protect cover surface and inside gasket |
| Plastic strap - Black | 2 | To Squeeze the 2 cardboard sleeve together |
| Packaging label | 1 | White label with product number |

| Qty | Part Number | Rev | Description |
|------------|-----------------|-----|------------------------------|
| 1 | 880 PP | 6 | Self Adhesive Print Pocket |
| 1 | STK-K-01800 | 5 | 5412 ES Accessory Kit |
| 1 | 881 SP3630G | 0 | 881 SP - Inner Panel |
| 1 | 5412ESQT303608C | 0 | 5412ESQT 30" x 36" Cover |
| 6 | STK-Q-07310 | 2 | Flange Lock Nut M8 |
| 6 | STK-Q-07610 | 8 | M8 Plastic Spacer 22.2mm |
| 1 | 5412ESQT303608B | 0 | 5412ESQT 30" x 36" x 8" Body |
| Parts List | | | |

This drawing is confidential and must not be reproduced or used without the consent of EXM

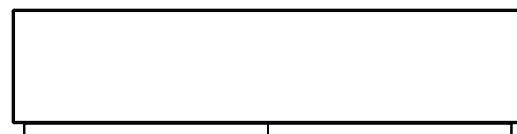
Ce dessin est confidentiel et ne doit pas être reproduit ou utilisé sans le consentement de EXM



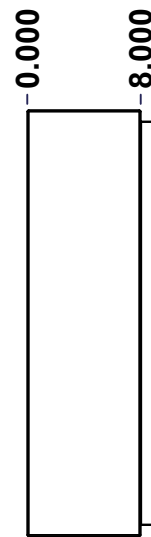
TOP



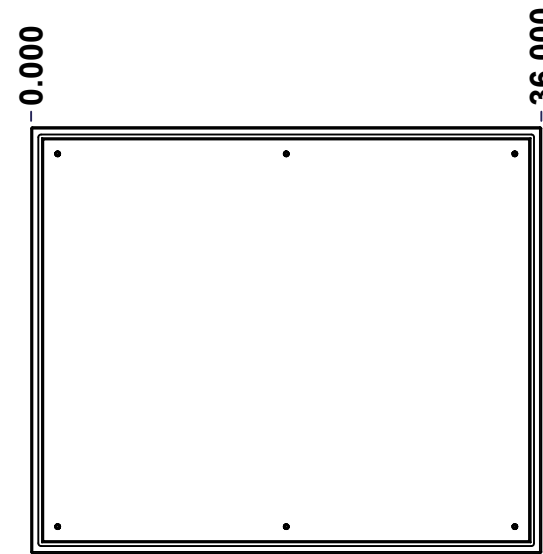
BACK



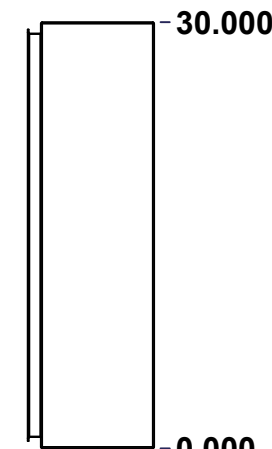
BOTTOM



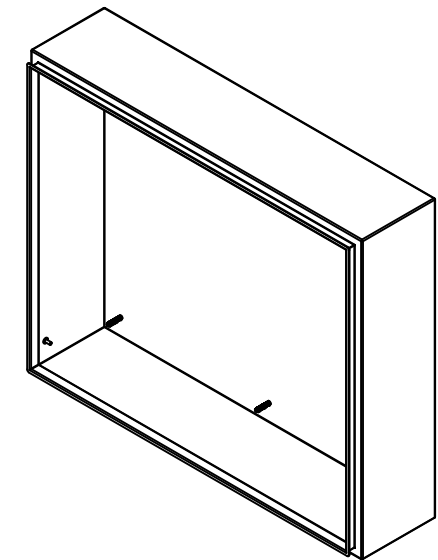
LEFT



FRONT




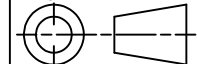
RIGHT



Isometric View



| No. | Revisions | Date | By/Par |
|-----|-----------|------|--------|
| | | | |
| | | | |
| | | | |
| | | | |
| | | | |

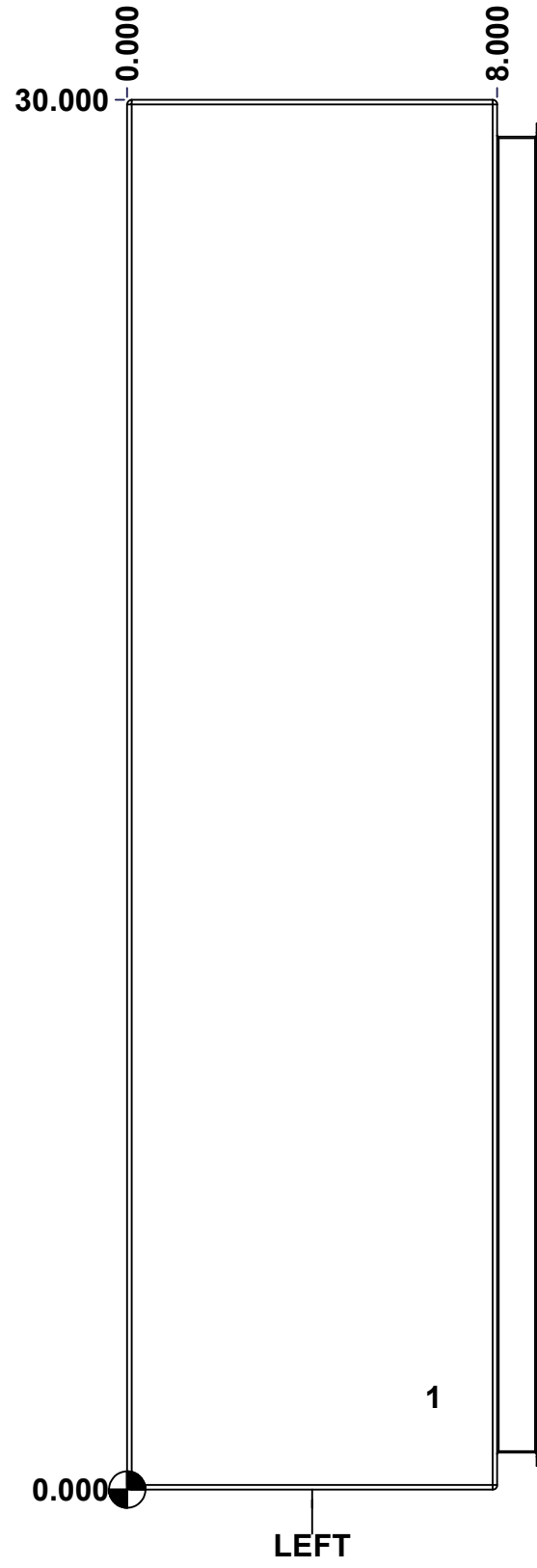
| | | |
|--|-----------------------|---|
|  Tél: (450) 979-4373 Fax: (450) 979-4626 www.exmweb.com | | Flatness Aplatissement Max 3.0mm Projection  |
| Customer Client | Date | |
| Drawn By / Dessiné Par: BoxCad: BoxCad | Date: 15-Jan-13 | |
| Material / Matière: 14 Ga H.R.P. & O. (1.7mm) | | |
| Color / Couleur: Asa-61 Grey | Finish / Fini: Smooth | |
| Description: 5412ESQT 30" x 36" x 8" Body | Detail Rev. | |
| Part Number / Numéro Pièce: 5412ESQT303608B | Rev. 0 | 1 / 7 |

SEE BILL OF MATERIAL ON LAST PAGE

This drawing is confidential and must not be reproduced or used without the consent of EXM

Ce dessin est confidentiel et ne doit pas être reproduit ou utilisé sans le consentement de EXM

| STANDARD FEATURES ARE NOT LISTED IN THIS HOLE TABLE | | | |
|--|-------|-------|-----------------------------|
| HOLE TABLE - LEFT VIEW (CUSTOM FEATURE ONLY) | | | |
| CUT-OUT | XDIM | YDIM | DESCRIPTION |
| 1 | 6.500 | 2.000 | GND STUD M6 x 16mm (Inside) |



| | | | | |
|-----------------------------|------------------------------|----------|--------|--|
| | Description | | Status | |
| | 5412ESQT 30" x 36" x 8" Body | | | |
| Part Number Numéro Pièce | | Rev. | 5 / 7 | |
| 5412ESQT303608B | | 0 | | |

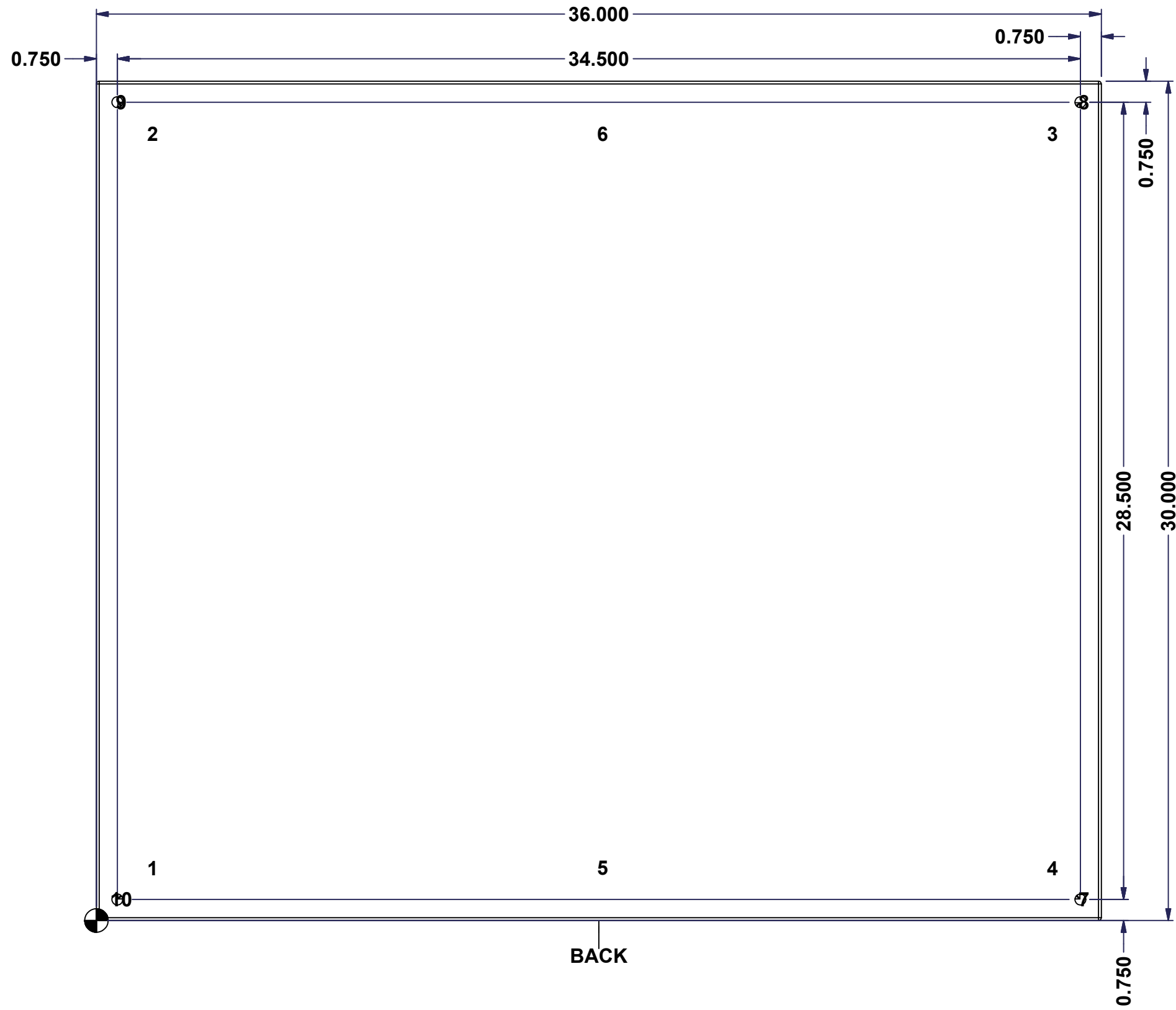
This drawing is confidential and must not be reproduced or used without the consent of EXM

Ce dessin est confidentiel et ne doit pas être reproduit ou utilisé sans le consentement de EXM

STANDARD FEATURES ARE NOT LISTED IN THIS HOLE TABLE

HOLE TABLE - BACK VIEW (CUSTOM FEATURE ONLY)

| CUT-OUT | XDIM | YDIM | DESCRIPTION |
|---------|--------|--------|----------------------------|
| 1 | 1.875 | 1.875 | IP STUD M8 x 35mm (Inside) |
| 2 | 1.875 | 28.125 | IP STUD M8 x 35mm (Inside) |
| 3 | 34.125 | 28.125 | IP STUD M8 x 35mm (Inside) |
| 4 | 34.125 | 1.875 | IP STUD M8 x 35mm (Inside) |
| 5 | 18.000 | 1.875 | IP STUD M8 x 35mm (Inside) |
| 6 | 18.000 | 28.125 | IP STUD M8 x 35mm (Inside) |
| ----- | | | |
| 7 | 35.250 | 0.750 | RND Ø0.390 |
| 8 | 35.250 | 29.250 | RND Ø0.390 |
| 9 | 0.750 | 29.250 | RND Ø0.390 |
| 10 | 0.750 | 0.750 | RND Ø0.390 |

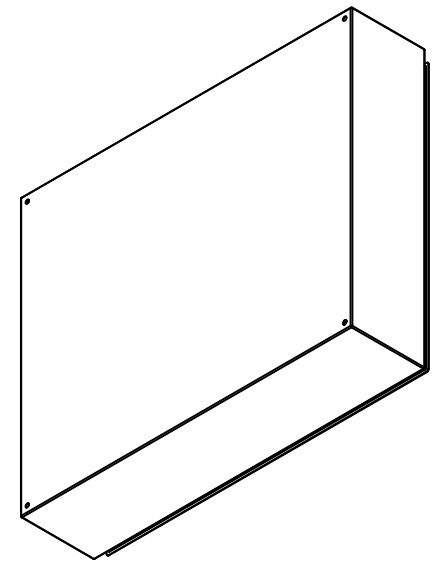


| | | | |
|--|------------------------------|----------|---|
| | Description | Status | |
| | 5412ESQT 30" x 36" x 8" Body | | |
| | Part Number Numéro Pièce | Rev. | 6 |
| | 5412ESQT303608B | 0 | 7 |

This drawing is confidential and must not be reproduced or used without the consent of EXM


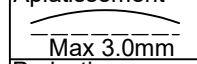
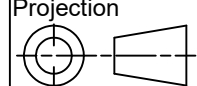
Ce dessin est confidentiel et ne doit pas être reproduit ou utilisé sans le consentement de EXM

| No. | Revisions | Date | By/Par |
|-----|-----------|------|--------|
| | | | |
| | | | |
| | | | |
| | | | |
| | | | |



Isometric View

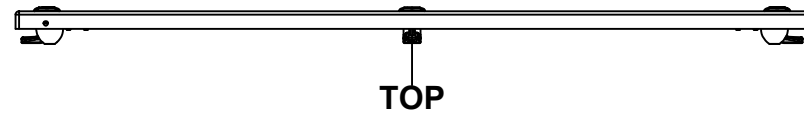


| | | |
|--|---------------------------|--|
|  Tél: (450) 979-4373 Fax: (450) 979-4626 www.exmweb.com | | Flatness Aplatissement  Max 3.0mm Projection  |
| Customer Client | Date | |
| Drawn By Dessiné Par | BoxCad: BoxCad | Date 15-Jan-13 |
| Material Matière | 14 Ga H.R.P. & O. (1.7mm) | |
| Color Couleur | Asa-61 Grey | Finish Fini Smooth |
| Description | Detail Rev. | |
| 5412ESQT 30" x 36" x 8" Body | | |
| Part Number Numéro Pièce | Rev. | 7 |
| 5412ESQT303608B | 0 | 7 |

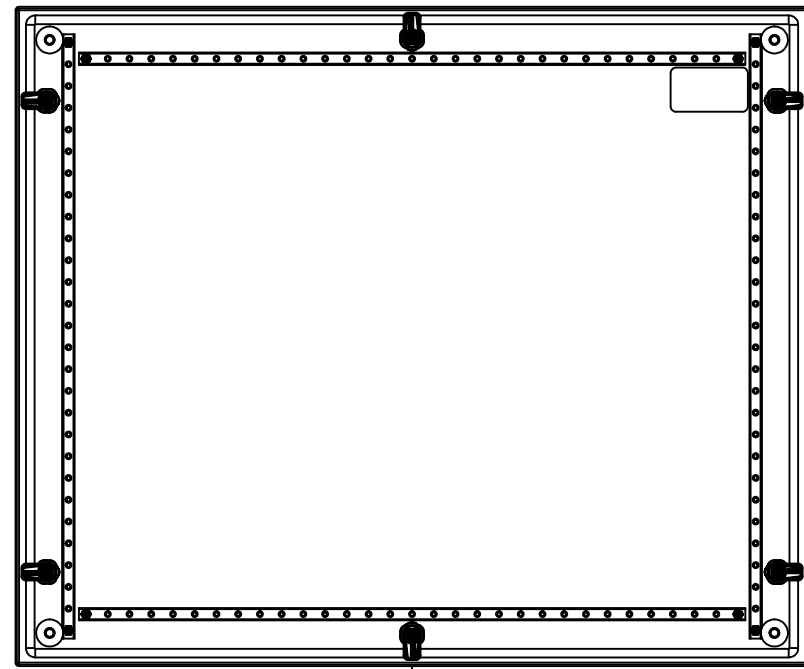
| Qty | Part Number | Rev | Description |
|------------|-------------------|-----|--------------------------------------|
| 1 | STK-Q-16080 | 0 | Ground Stud M6 x 16mm |
| 1 | STK-P-02400S | 0 | Powder Paint (Asa-61 Grey / Smooth) |
| 6 | STK-Q-16005 | 1 | Stud M8 x 35 (No Paint Cap Required) |
| 1 | 5412ESQT303608B-P | 0 | 5412ESQT 30" x 36" x 8" Body Part |
| Parts List | | | |

This drawing is confidential and must not be reproduced or used without the consent of EXM

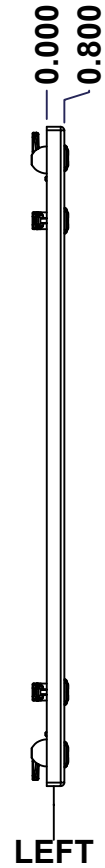
Ce dessin est confidentiel et ne doit pas être reproduit ou utilisé sans le consentement de EXM



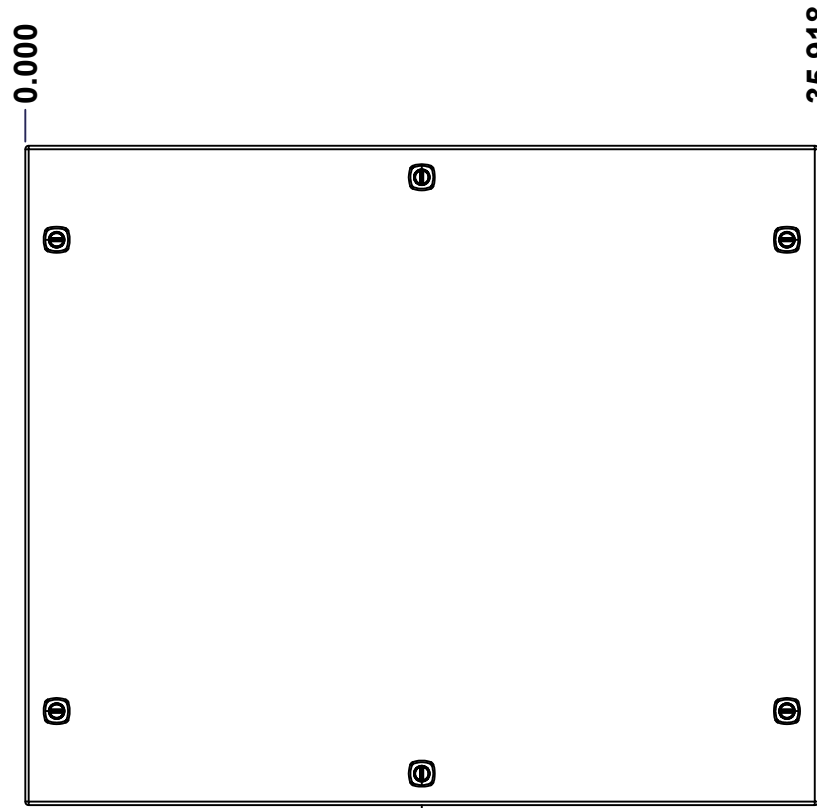
TOP



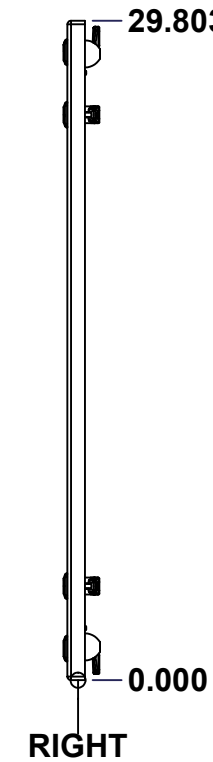
BACK



LEFT



FRONT

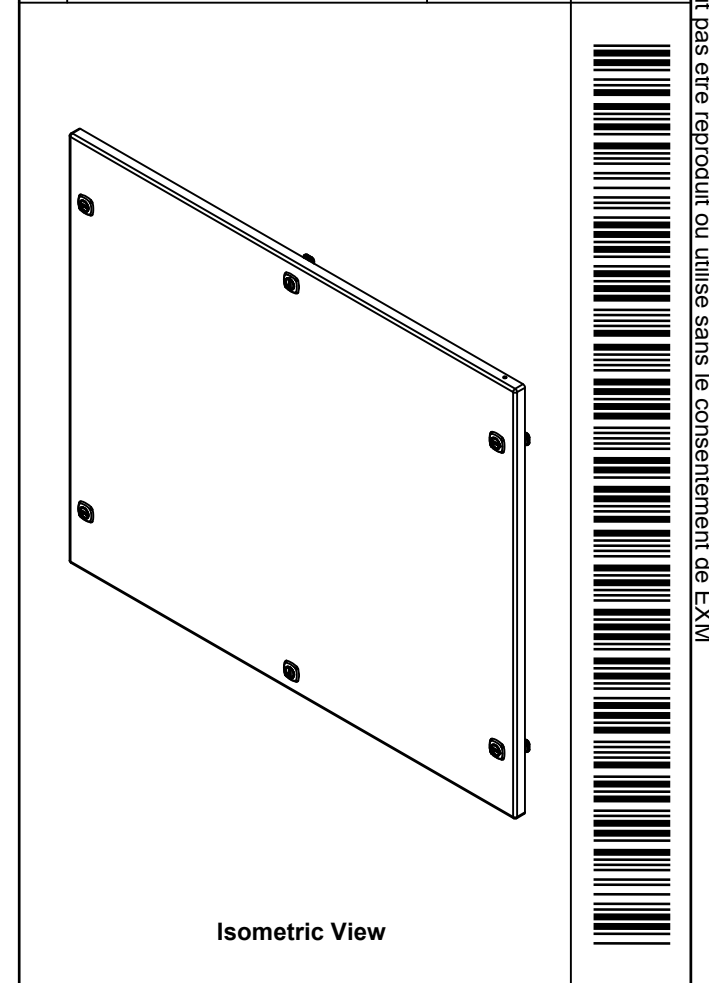


RIGHT




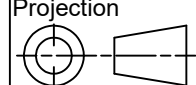
BOTTOM

| No. | Revisions | Date | By/Par |
|-----|-----------|------|--------|
| | | | |
| | | | |
| | | | |
| | | | |



Isometric View



| | | |
|--|----------------|---|
|  Tél: (450) 979-4373 Fax: (450) 979-4626 www.exmweb.com | | Flatness Aplatissement Max 3.0mm Projection  |
| Customer Client | Date | Date |
| Drawn By Dessiné Par | BoxCad: BoxCad | Date 15-Jan-13 |
| Material Matière 14 Ga H.R.P. & O. (1.7mm) | | |
| Color Couleur | Asa-61 Grey | Finish Fini Smooth |
| Description 5412ESQT 30" x 36" Cover | | Detail Rev. |
| Part Number Numéro Pièce | Rev. 0 | 1 / 3 |

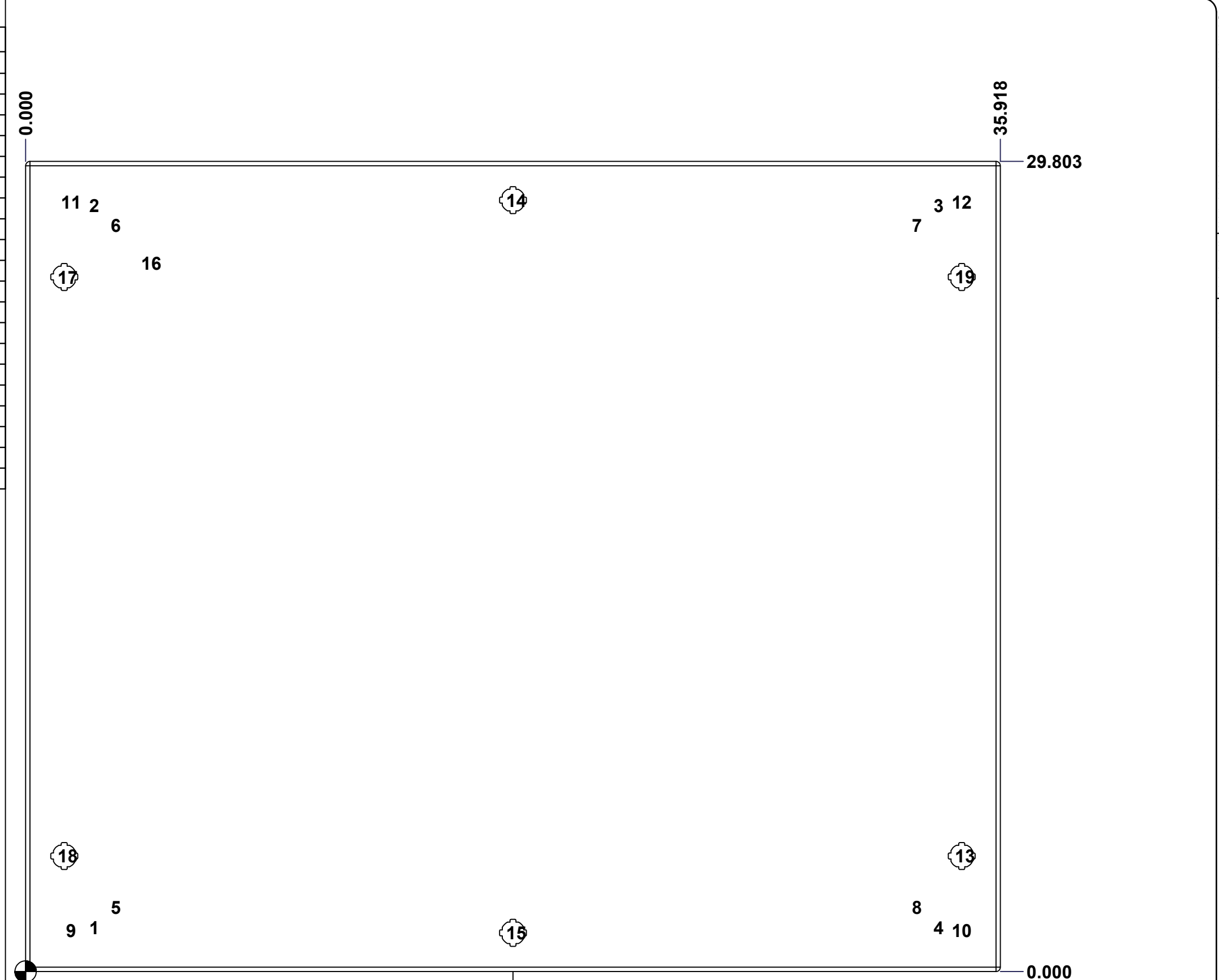
SEE BILL OF MATERIAL ON LAST PAGE

5412ESQT303608C

This drawing is confidential and must not be reproduced or used without the consent of EXM

Ce dessin est confidentiel et ne doit pas être reproduit ou utilisé sans le consentement de EXM

| STANDARD FEATURES ARE NOT LISTED IN THIS HOLE TABLE | | | |
|---|--------|--------|---------------------------|
| HOLE TABLE - FRONT VIEW (CUSTOM FEATURE ONLY) | | | |
| CUT-OUT | XDIM | YDIM | DESCRIPTION |
| 1 | 2.401 | 1.614 | STUD M6 x 18mm (Inside) |
| 2 | 2.401 | 28.189 | STUD M6 x 18mm (Inside) |
| 3 | 33.517 | 28.189 | STUD M6 x 18mm (Inside) |
| 4 | 33.517 | 1.614 | STUD M6 x 18mm (Inside) |
| 5 | 3.195 | 2.350 | STUD M6 x 18mm (Inside) |
| 6 | 3.195 | 27.453 | STUD M6 x 18mm (Inside) |
| 7 | 32.723 | 27.453 | STUD M6 x 18mm (Inside) |
| 8 | 32.723 | 2.350 | STUD M6 x 18mm (Inside) |
| 9 | 1.550 | 1.500 | STUD M6 x 18mm (Inside) |
| 10 | 34.368 | 1.500 | STUD M6 x 18mm (Inside) |
| 11 | 1.550 | 28.303 | STUD M6 x 18mm (Inside) |
| 12 | 34.368 | 28.303 | STUD M6 x 18mm (Inside) |
| ----- | | | |
| 13 | 34.494 | 4.250 | LOCK 880 SCQ4-SL @ 0.0° |
| 14 | 17.959 | 28.379 | LOCK 880 SCQ4-SL @ 90.0° |
| 15 | 17.959 | 1.424 | LOCK 880 SCQ4-SL @ 270.0° |
| 16 | 4.500 | 26.053 | LABEL_EXM (Inside) |
| 17 | 1.424 | 25.553 | LOCK 880 SCQ4-SL @ 180.0° |
| 18 | 1.424 | 4.250 | LOCK 880 SCQ4-SL @ 180.0° |
| 19 | 34.494 | 25.553 | LOCK 880 SCQ4-SL @ 0.0° |

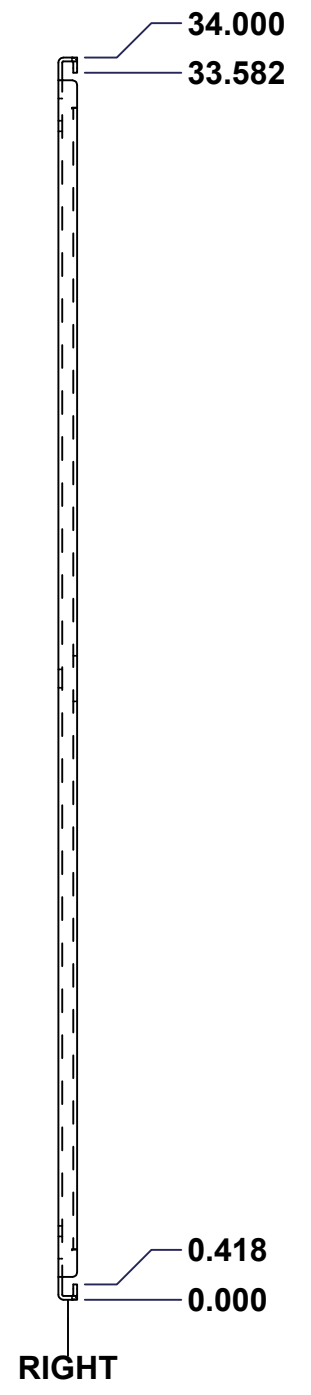
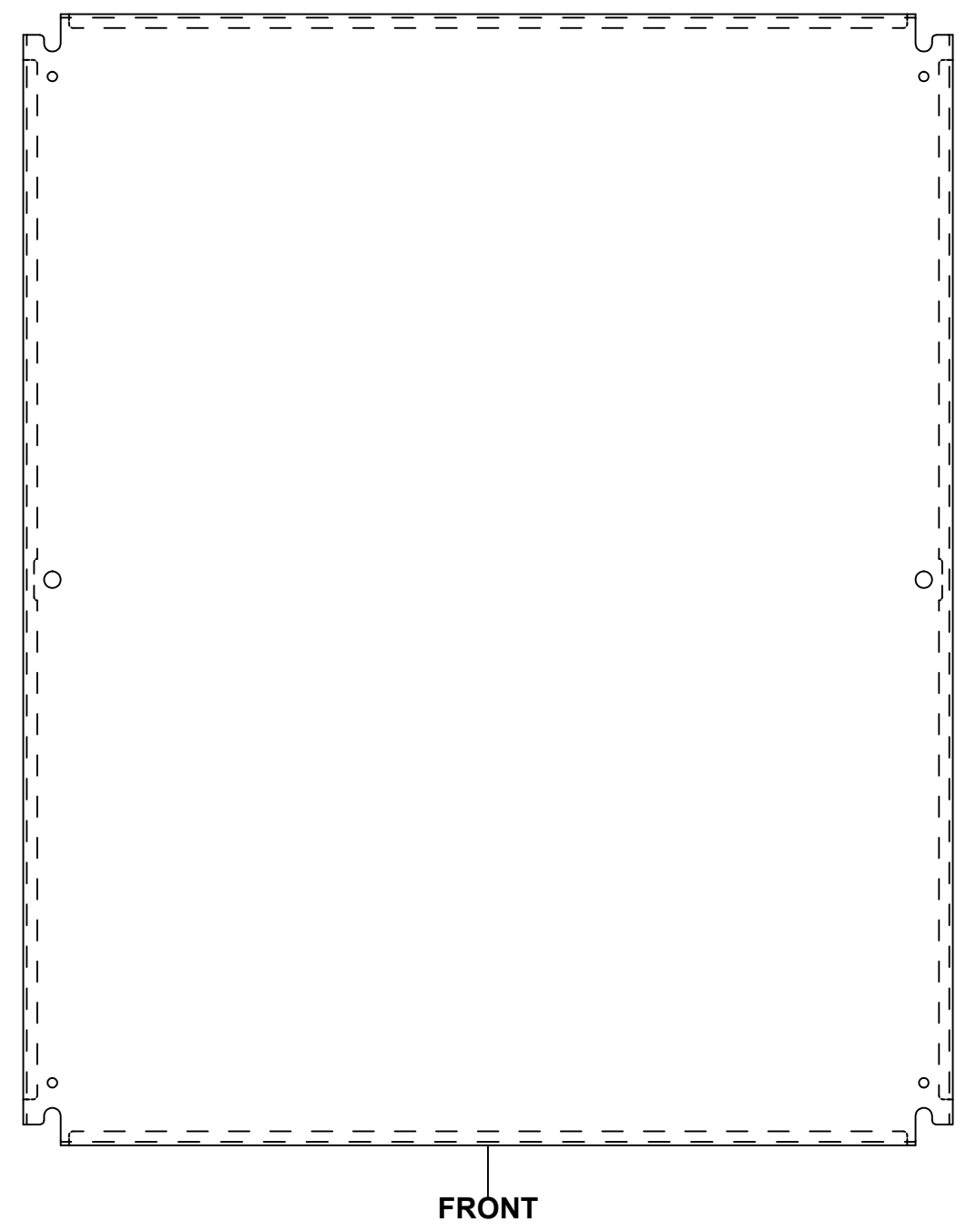
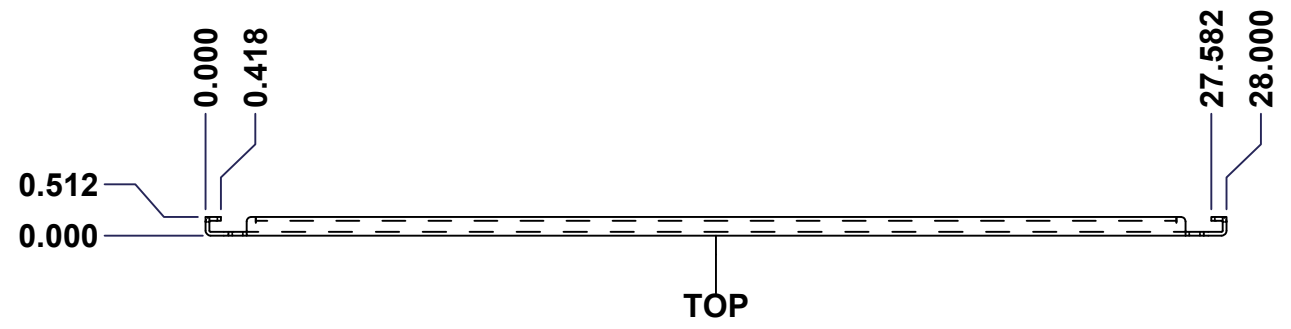


FRONT

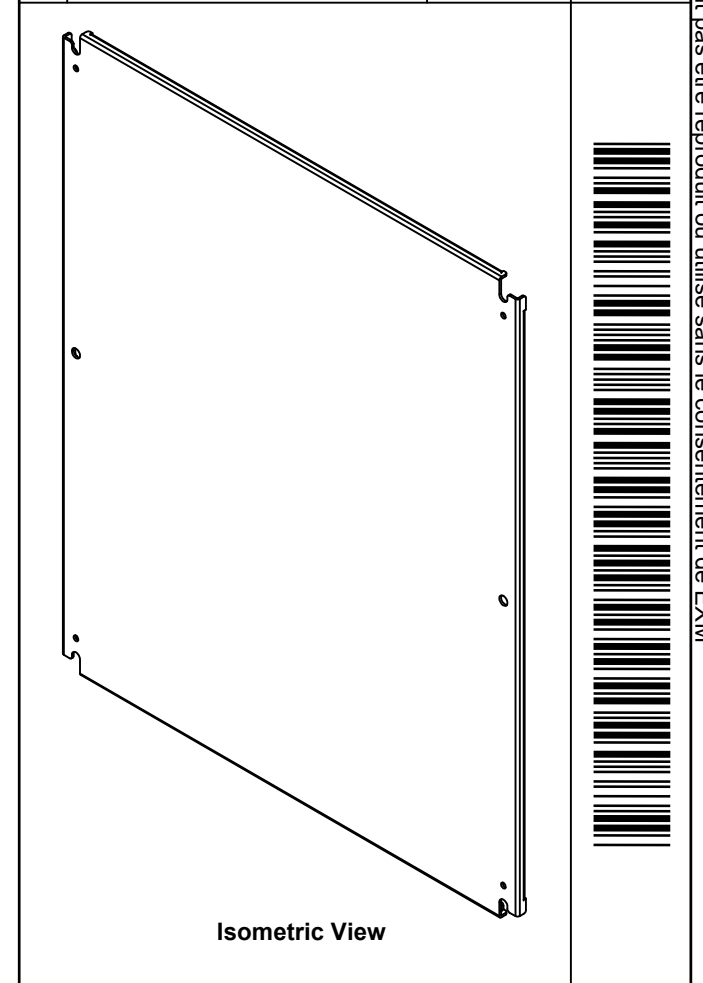
| | | | |
|--|-----------------------------|----------|--------|
| | Description | Status | |
| | 5412ESQT 30" x 36" Cover | (NULL) | |
| | Part Number Numéro Pièce | Rev. | |
| | 5412ESQT303608C | 0 | 2 3 |

This drawing is confidential and must not be reproduced or used without the consent of EXM

Ce dessin est confidentiel et ne doit pas être reproduit ou utilisé sans le consentement de EXM



| No. | Revisions | Date | By/Par |
|-----|-----------|------|--------|
| | | | |
| | | | |
| | | | |
| | | | |
| | | | |



| | | |
|--|---------------|--|
| Tél: (450) 979-4373 Fax: (450) 979-4626 www.exmweb.com | | Flatness Aplatissement Max 3.0mm Projection |
| Customer Client | Date | |
| Drawn By Dessiné Par | BoxCad | Date 1/23/2007 |
| Material Matière | See Part List | |
| Color Couleur | See Part List | Finish Fini See Part List |
| Description | | Detail Rev. |
| 881 SP - Inner Panel | | |
| Part Number Numéro Pièce | 881 SP3630G | Rev. 1 0 |

| Qty | Part Number | Rev | Description | Material | Color | Finish |
|-----|---------------|-----|---------------------------|------------------|-----------|------------|
| 1 | 881 SP3630G-P | 0 | 881 SP - Inner Panel Part | 12 Ga Galvanized | Unpainted | Galvanized |

Parts List

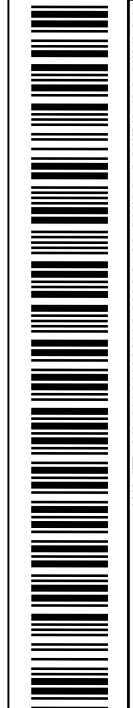
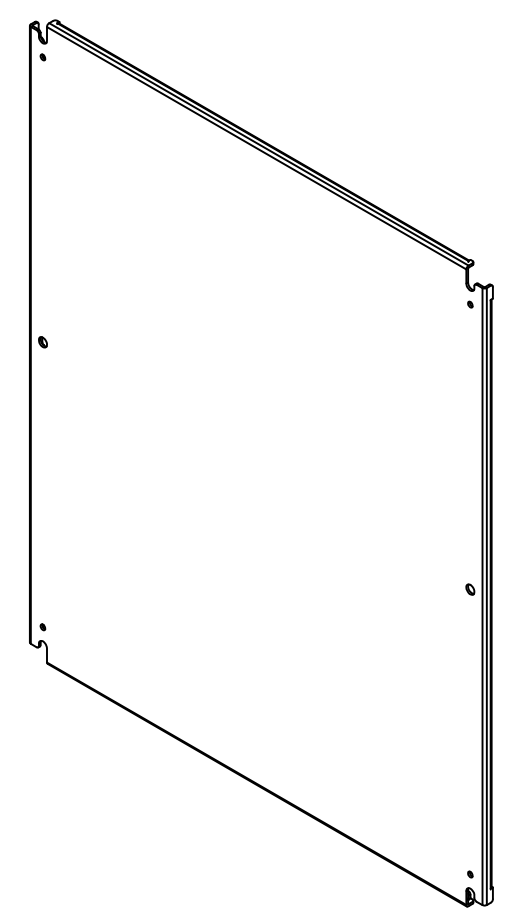
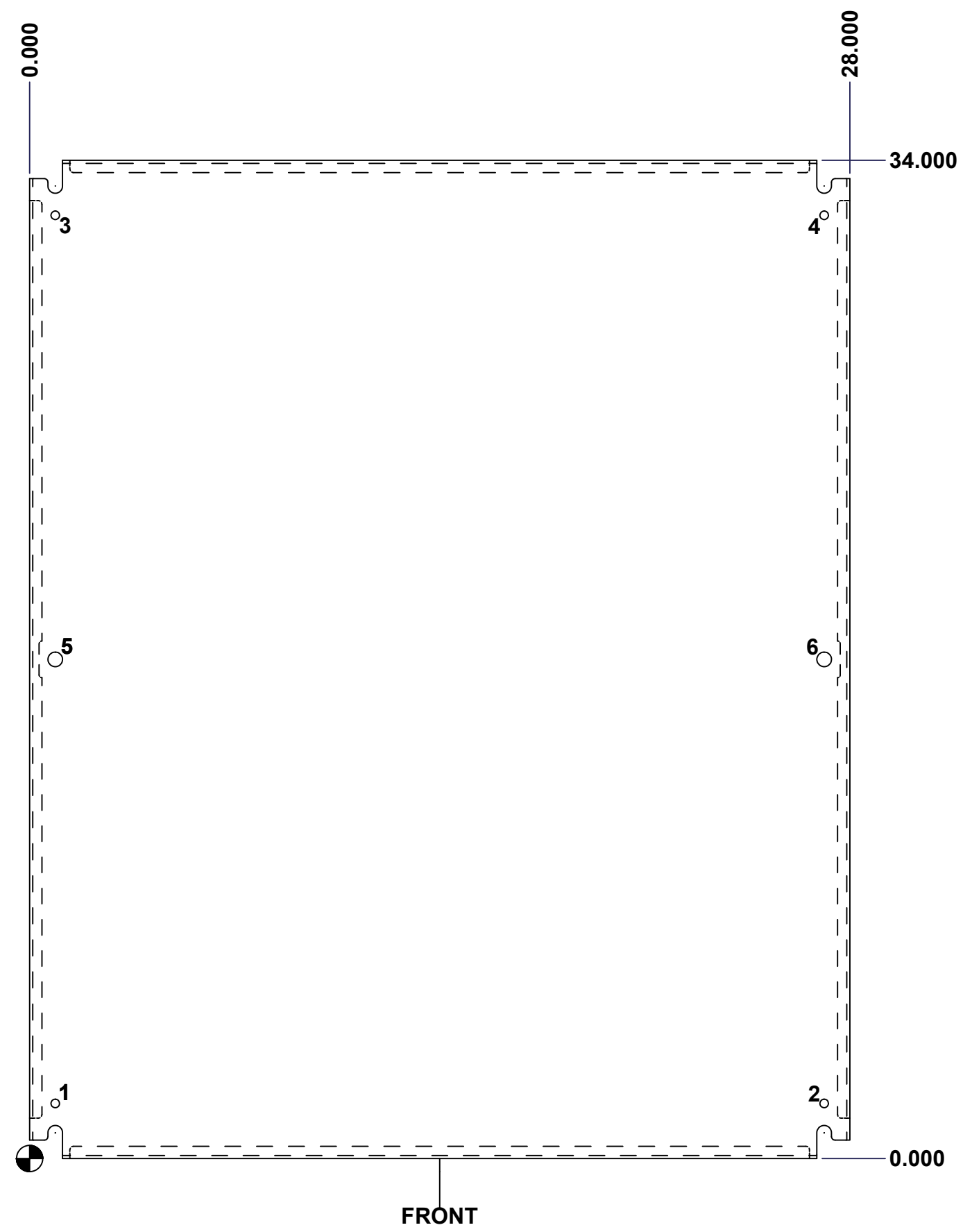
This drawing is confidential and must not be reproduced or used without the consent of EXM

Ce dessin est confidentiel et ne doit pas être reproduit ou utilisé sans le consentement de EXM

| Table 1 | | | FRONT VIEW |
|---------|--------|--------|----------------------------|
| CUT-OUT | XDIM | YDIM | DESCRIPTION |
| 1 | 0.875 | 1.875 | GROUND HOLE (RND Ø0.290) |
| 2 | 27.125 | 1.875 | GROUND HOLE (RND Ø0.290) |
| 3 | 0.875 | 32.125 | GROUND HOLE (RND Ø0.290) |
| 4 | 27.125 | 32.125 | GROUND HOLE (RND Ø0.290) |
| 5 | 0.875 | 17.000 | MTG STUD HOLE (RND Ø0.500) |
| 6 | 27.125 | 17.000 | MTG STUD HOLE (RND Ø0.500) |

All knockouts are actual size / Les disques défonçables sont grandeur réel

| No. | Revisions | Date | By/Par |
|-----|-----------|------|--------|
| | | | |
| | | | |
| | | | |
| | | | |
| | | | |



| | | |
|-------------------------------------|--|--|
| | Tél: (450) 979-4373 Fax: (450) 979-4626 www.exmweb.com | Flatness Aplatissement Max 3.0mm |
| | | Projection |
| Customer Client | | Date |
| Drawn By Dessiné Par | BoxCad | Date 1/23/2007 |
| Material Matière | See Part List | |
| Color Couleur | See Part List | Finish Fini See Part List |
| Description 881 SP - Inner Panel | | Detail Rev. |
| Part Number Numéro Pièce | 881 SP3630G | Rev. 2 0 |