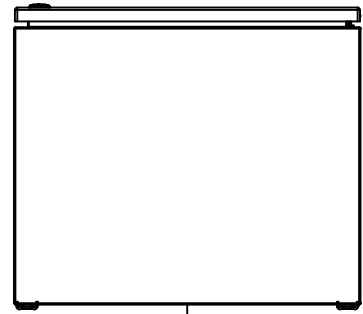
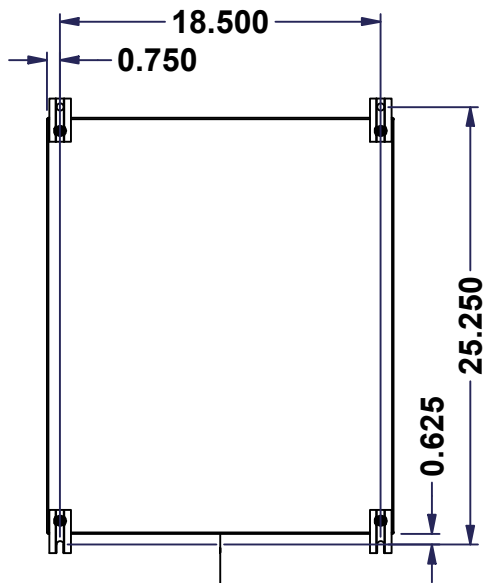


This drawing is confidential and must not be reproduced or used without the consent of EXM

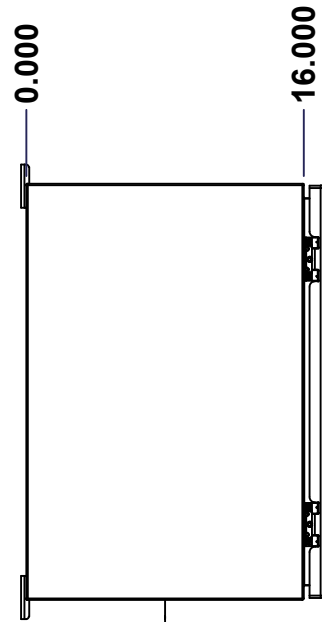
Ce dessin est confidentiel et ne doit pas être reproduit ou utilisé sans le consentement de EXM



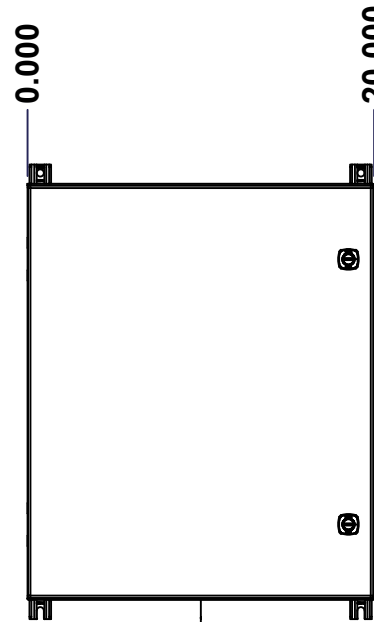
TOP



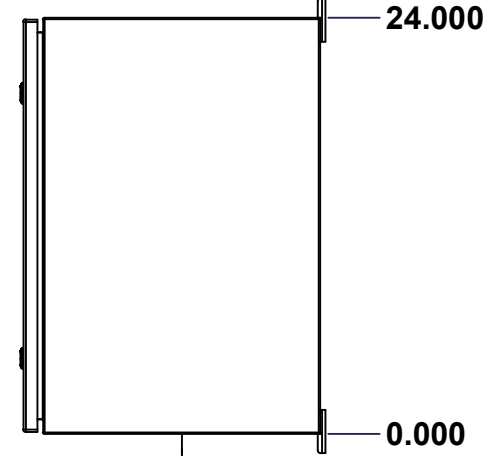
BACK



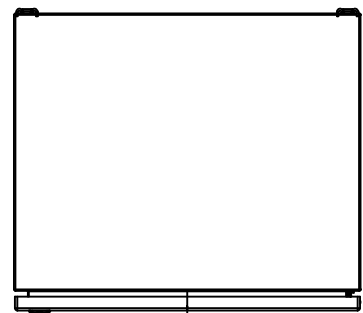
LEFT



FRONT

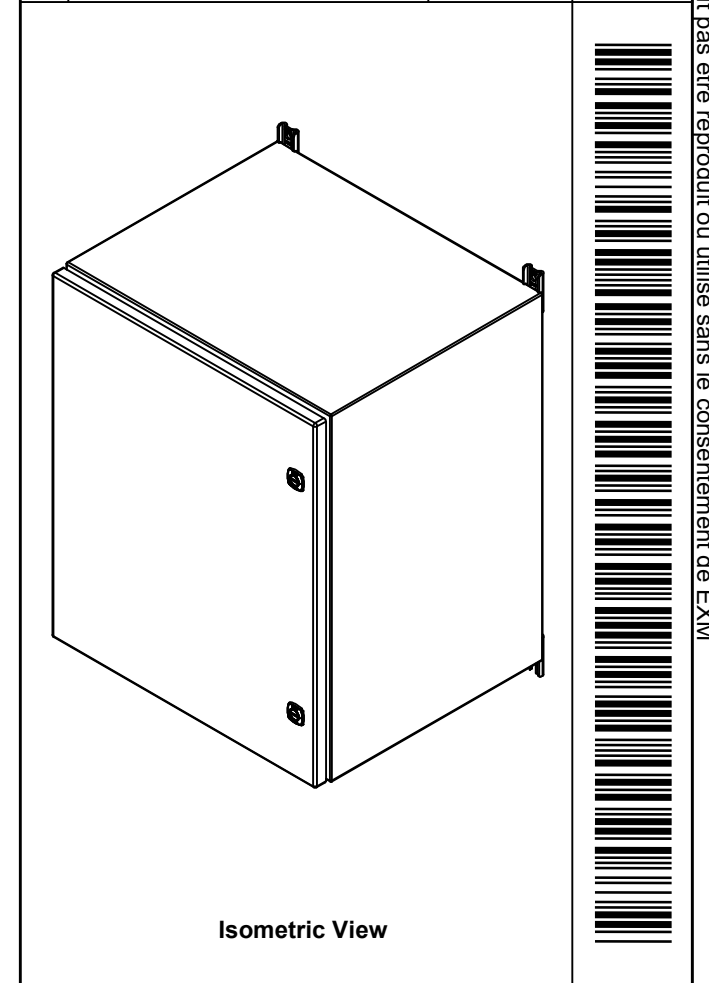


RIGHT



BOTTOM

| No. | Revisions | Date | By/Par |
|-----|-----------|------|--------|
|     |           |      |        |
|     |           |      |        |
|     |           |      |        |
|     |           |      |        |


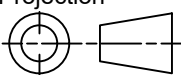


Isometric View



**GRAIN DIRECTION:  
TOP/BOTTOM: HORIZONTAL  
LEFT/RIGHT/BACK/FRONT: VERTICAL**

SEE BILL OF MATERIAL ON LAST PAGE

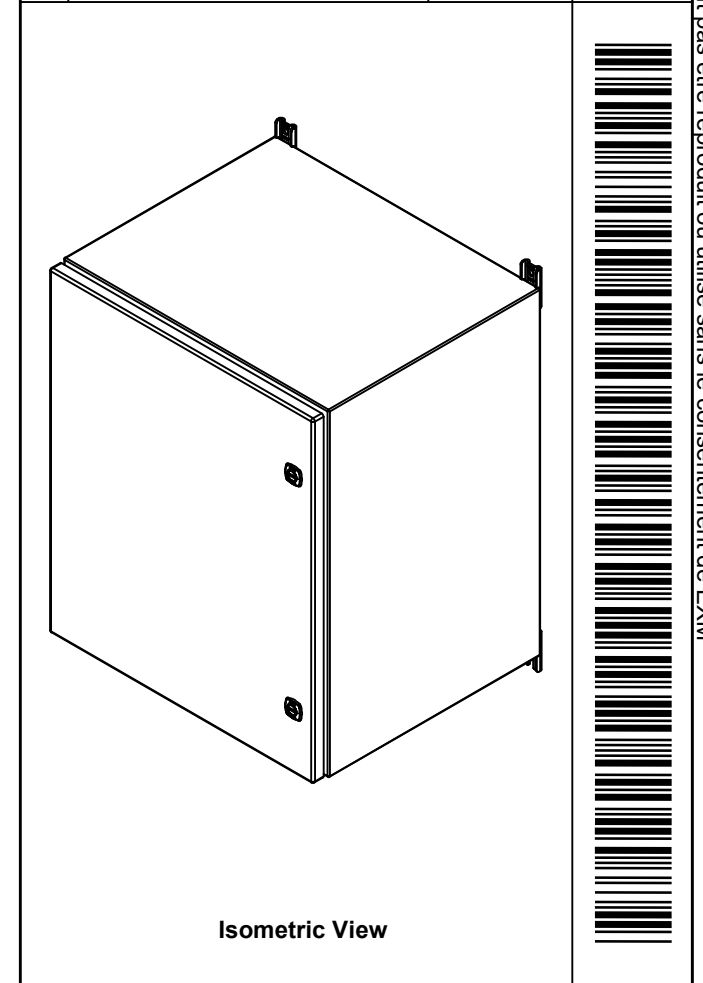
|  |                                   |   |
|--|-----------------------------------|---|
|  Tél: (450) 979-4373<br>Fax: (450) 979-4626<br><a href="http://www.exmweb.com">www.exmweb.com</a> |                                   | Flatness<br>Aplatissement<br>Max 3.0mm<br>Projection<br> |
| Customer Client  | Date                              |   |
| Drawn By<br>Dessiné Par  | BoxCad: BoxCad                    | Date 30-May-23  |
| Material<br>Matière  | 16 Ga Stainless Steel 304 (1.4mm) |   |
| Color<br>Couleur   | Unpainted                         | Finish<br>Fini<br>Brushed   |
| Description  | Detail Rev.                       |   |
| 5412ESS 24" x 20" x 16" Assembly   |                                   |   |
| Part Number<br>Numéro Pièce  | Rev.                              | 1   |
| 5412ESS242016TH  | 0                                 | 16  |

This drawing is confidential and must not be reproduced or used without the consent of EXM

Ce dessin est confidentiel et ne doit pas être reproduit ou utilisé sans le consentement de EXM

| NOTE |   |
|------|---|
| ITEM | DESCRIPTION                                     |
| 1    | NEMA 4X Enclosure                               |
| 2    | C/W Standard ground studs on box and cover      |
| 3    | C/W Standard door stiffener                     |
| 4    | C/W Standard inner panel (Included)             |
| 5    | C/W Standard inner panel mounting studs         |
| 6    | C/W 885 ESMF4_OPEN Sold separately (Installed)  |
| 7    | C/W 885 ESMF4_CLOSE Sold separately (Installed) |
| 8    | C/W R5 Insulation (Installed by EXM)            |

| No. | Revisions | Date | By/Par |
|-----|-----------|------|--------|
|     |           |      |        |
|     |           |      |        |
|     |           |      |        |
|     |           |      |        |
|     |           |      |        |
|     |           |      |        |
|     |           |      |        |





Tél: (450) 979-4373  
Fax: (450) 979-4626  
[www.exmweb.com](http://www.exmweb.com)

Flatness  
Aplatissement  
Max 3.0mm  
Projection




|  |                 |
|--|-----------------|
| Customer Client                        | Date            |
| Drawn By / Dessiné Par: BoxCad: BoxCad | Date: 30-May-23 |

Material / Matière: 16 Ga Stainless Steel 304 (1.4mm)

|                            |                        |
|----------------------------|------------------------|
| Color / Couleur: Unpainted | Finish / Fini: Brushed |
|----------------------------|------------------------|

Description: 5412ESS 24" x 20" x 16" Assembly

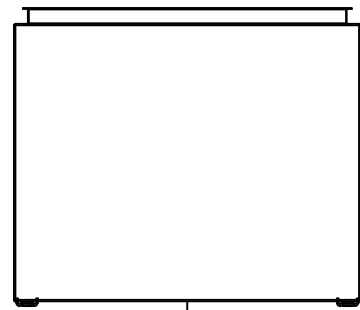
|  |        |   |
|--|--------|---|
| Part Number / Numéro Pièce: <b>5412ESS242016TH</b> | Rev. 0 | 2 |
|--|--------|---|

| PACKING               |     |  |
|-----------------------|-----|--|
| ITEM                  | QTY | DESCRIPTION                                |
| Cardboard sleeve      | 2   | Top and Bottom                             |
| Cardboard strip       | 2   | Between back of enclosure and inner panel  |
| Plastic bag           | 1   | To protect cover surface and inside gasket |
| Plastic strap - Black | 2   | To Squeeze the 2 cardboard sleeve together |
| Packaging label       | 1   | White label with product number            |

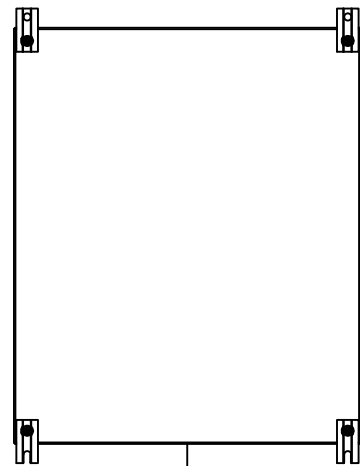
| Qty        | Part Number      | Rev | Description  |
|------------|------------------|-----|--|
| 4          | STK-Q-00600      | 2   | M12 to M8 Adaptor  |
| 1          | 881 SP2420G      | 0   | 881 SP - Inner Panel   |
| 1          | STK-K-01800      | 5   | 5412 ES Accessory Kit  |
| 1          | 5412ESS242016THC | 0   | 5412ESS 24" x 20" Cover  |
| 1          | 5412ESS242016THB | 0   | 5412ESS 24" x 20" x 16" Body   |
| 2          | STK-Q-04051-08   | 1   | M6 x 8mm Stainless Steel Hexagon Socket Head Machine Screw with Nyseal |
| Parts List |                  |     |  |

This drawing is confidential and must not be reproduced or used without the consent of EXM

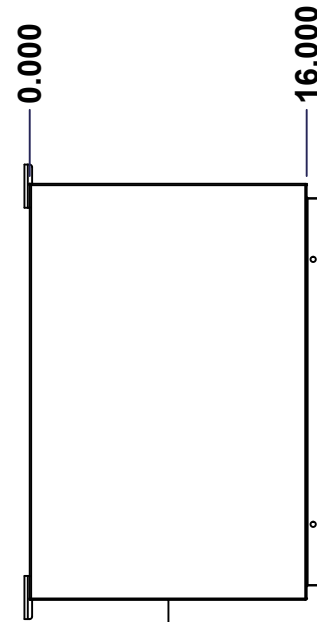
Ce dessin est confidentiel et ne doit pas être reproduit ou utilisé sans le consentement de EXM



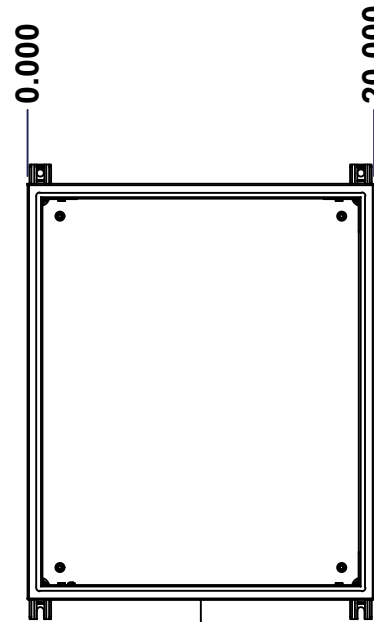
TOP



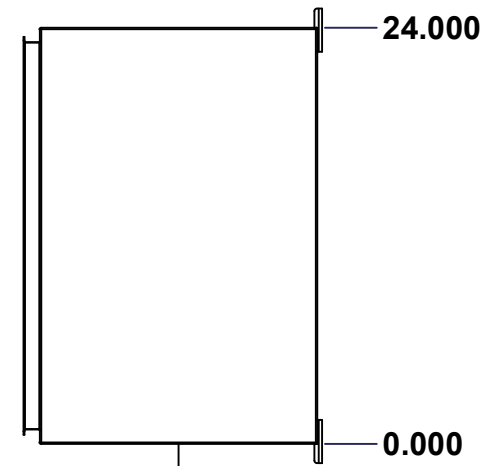
BACK



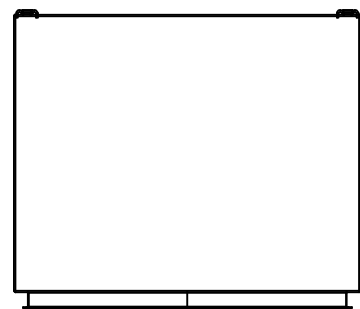
LEFT



FRONT

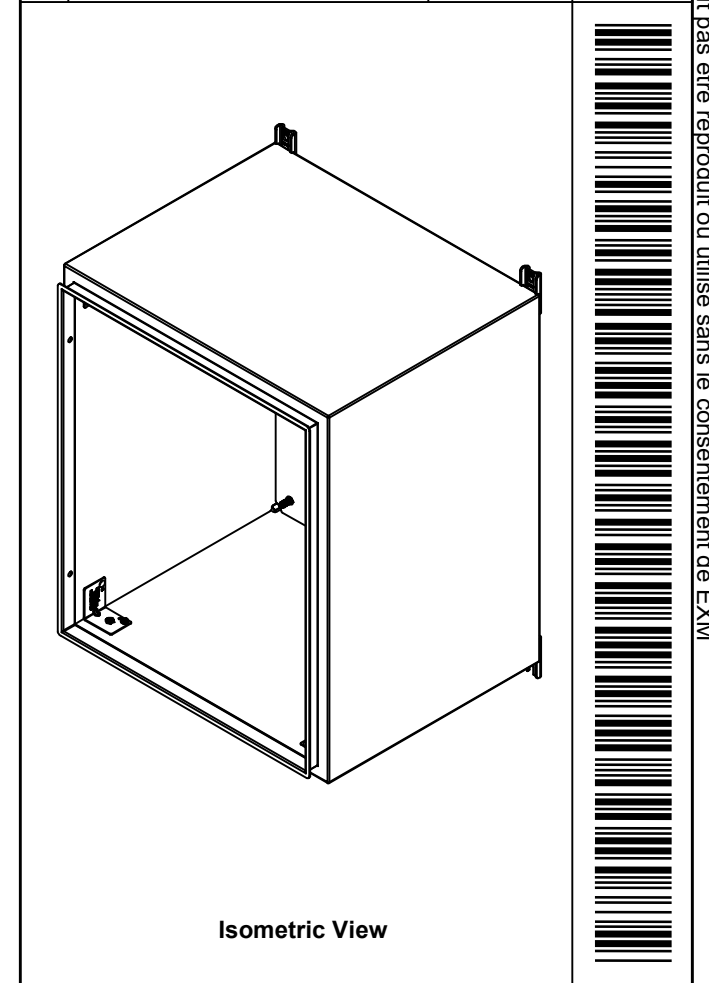



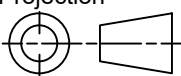
RIGHT



BOTTOM

| No. | Revisions | Date | By/Par |
|-----|-----------|------|--------|
|     |           |      |        |
|     |           |      |        |
|     |           |      |        |
|     |           |      |        |



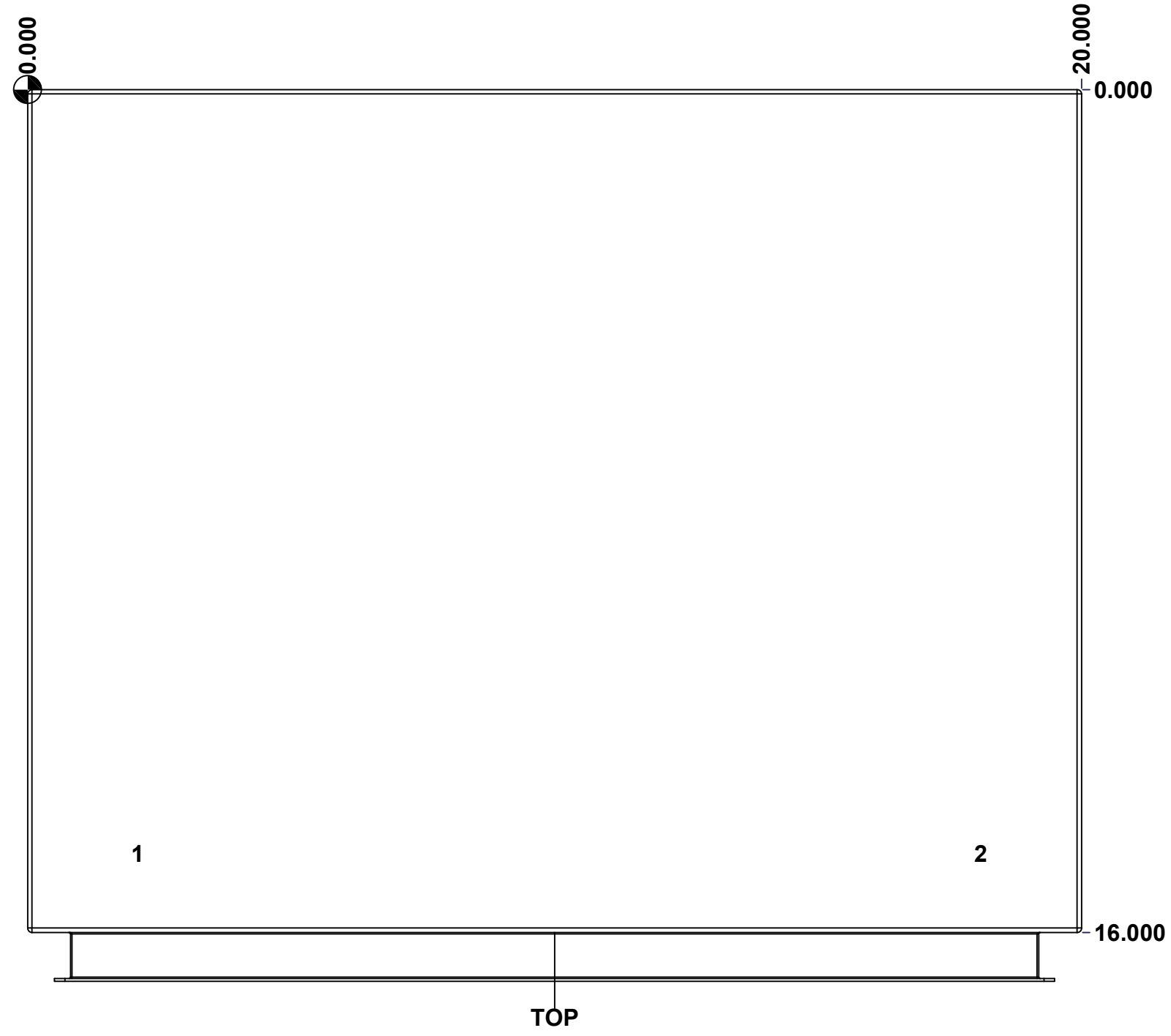
|  |                                   |   |
|--|-----------------------------------|---|
|  Tél: (450) 979-4373<br>Fax: (450) 979-4626<br><a href="http://www.exmweb.com">www.exmweb.com</a> |                                   | Flatness<br>Aplatissement<br>Max 3.0mm<br>Projection<br> |
| Customer Client  | Date                              |   |
| Drawn By<br>Dessiné Par  | BoxCad: BoxCad                    | Date 30-May-23  |
| Material<br>Matière  | 16 Ga Stainless Steel 304 (1.4mm) |   |
| Color<br>Couleur   | Unpainted                         | Finish<br>Fini<br>Brushed   |
| Description  | Detail Rev.                       |   |
| 5412ESS 24" x 20" x 16" Body   |                                   |   |
| Part Number<br>Numéro Pièce  | Rev.                              | 3   |
| <b>5412ESS242016THB</b>  | <b>0</b>                          | 16  |

**SEE BILL OF MATERIAL ON LAST PAGE**

This drawing is confidential and must not be reproduced or used without the consent of EXM

Ce dessin est confidentiel et ne doit pas être reproduit ou utilisé sans le consentement de EXM

| STANDARD FEATURES ARE NOT LISTED IN THIS HOLE TABLE |        |        |                                |
|---|--------|--------|--------------------------------|
| HOLE TABLE - TOP VIEW (CUSTOM FEATURE ONLY)         |        |        |                                |
| CUT-OUT   | XDIM   | YDIM   | DESCRIPTION                    |
| 1   | 2.000  | 14.500 | INSUL. STUD M6 x 18mm (Inside) |
| 2   | 18.000 | 14.500 | INSUL. STUD M6 x 18mm (Inside) |

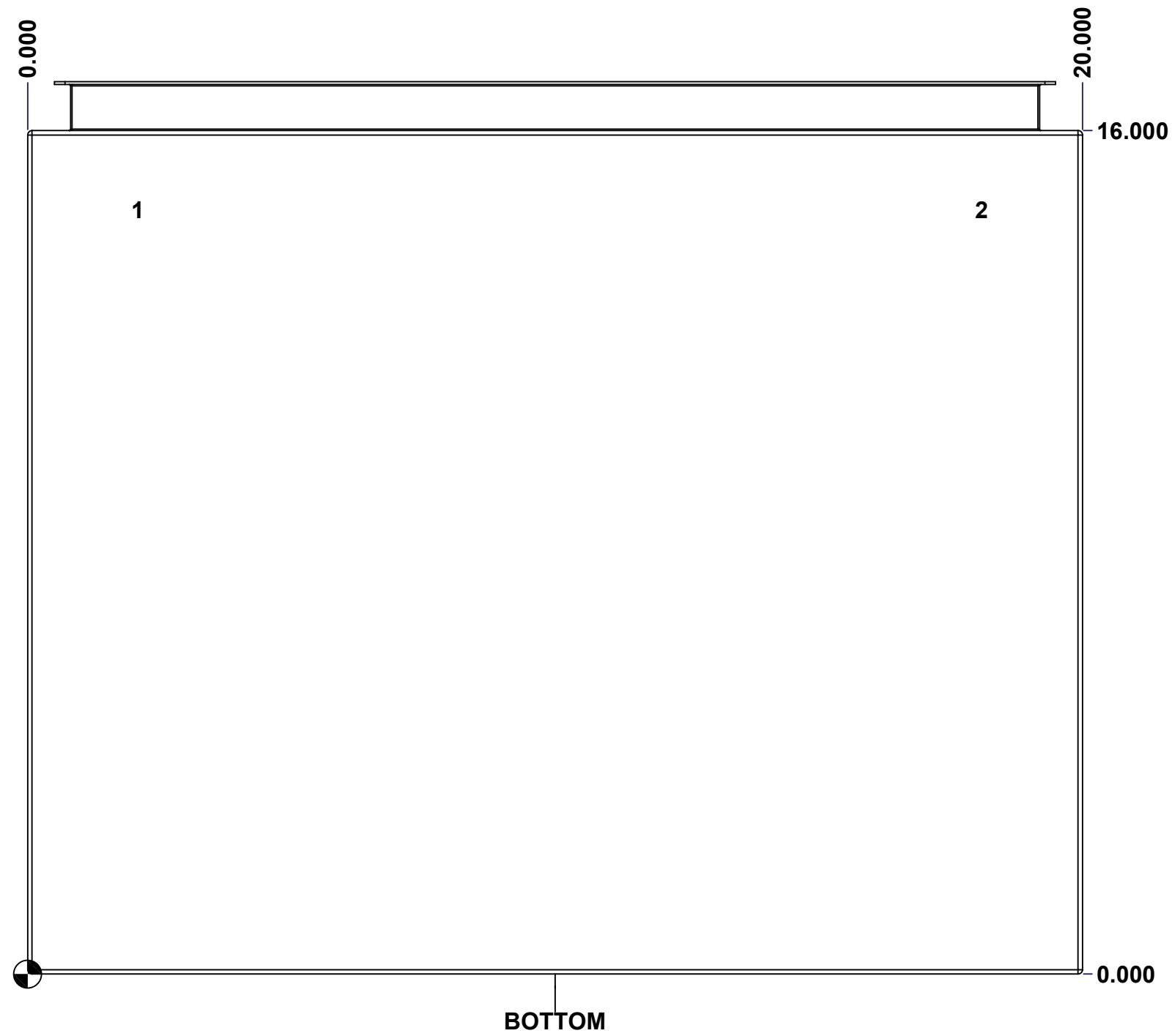


|  |                              |          |        |
|--|------------------------------|----------|--------|
|  | Description                  | Status   |        |
|  | 5412ESS 24" x 20" x 16" Body | (NULL)   |        |
|  | Part Number<br>Numéro Pièce  | Rev.     |        |
|  | <b>5412ESS242016THB</b>      | <b>0</b> | 4 / 16 |

This drawing is confidential and must not be reproduced or used without the consent of EXM

Ce dessin est confidentiel et ne doit pas être reproduit ou utilisé sans le consentement de EXM

| <b>STANDARD FEATURES ARE NOT LISTED IN THIS HOLE TABLE</b> |        |        |                                |
|--|--------|--------|--------------------------------|
| <b>HOLE TABLE - BOTTOM VIEW (CUSTOM FEATURE ONLY)</b>      |        |        |                                |
| CUT-OUT  | XDIM   | YDIM   | DESCRIPTION                    |
| 1  | 2.000  | 14.500 | INSUL. STUD M6 x 18mm (Inside) |
| 2  | 18.000 | 14.500 | INSUL. STUD M6 x 18mm (Inside) |



|  |                              |          |
|--|------------------------------|----------|
|  | Description                  | Status   |
|  | 5412ESS 24" x 20" x 16" Body | (NULL)   |
|  | Part Number<br>Numéro Pièce  | Rev.     |
|  | <b>5412ESS242016THB</b>      | <b>0</b> |
|  |                              | 5        |
|  |                              | 16       |

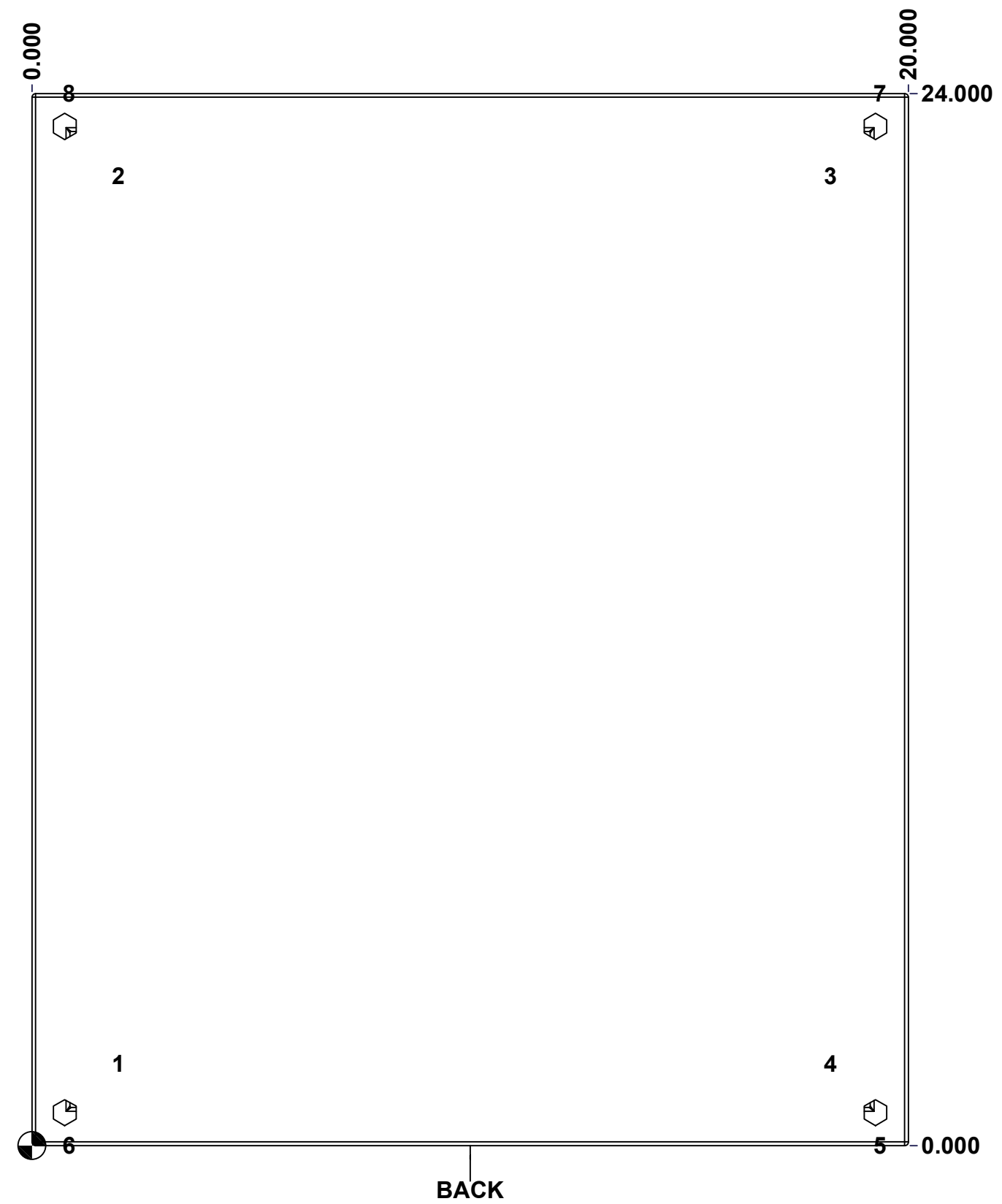
This drawing is confidential and must not be reproduced or used without the consent of EXM

Ce dessin est confidentiel et ne doit pas être reproduit ou utilisé sans le consentement de EXM

**STANDARD FEATURES ARE NOT LISTED IN THIS HOLE TABLE**

**HOLE TABLE - BACK VIEW (CUSTOM FEATURE ONLY)**

| CUT-OUT | XDIM   | YDIM   | DESCRIPTION                |
|---------|--------|--------|----------------------------|
| 1       | 1.875  | 1.875  | IP STUD M8 x 35mm (Inside) |
| 2       | 1.875  | 22.125 | IP STUD M8 x 35mm (Inside) |
| 3       | 18.125 | 22.125 | IP STUD M8 x 35mm (Inside) |
| 4       | 18.125 | 1.875  | IP STUD M8 x 35mm (Inside) |
| -----   |        |        |                            |
| 5       | 19.250 | 0.000  | FOOT 885 ESMF4_OPEN        |
| 6       | 0.750  | 0.000  | FOOT 885 ESMF4_OPEN        |
| 7       | 19.250 | 24.000 | FOOT 885 ESMF4_CLOSE       |
| 8       | 0.750  | 24.000 | FOOT 885 ESMF4_CLOSE       |

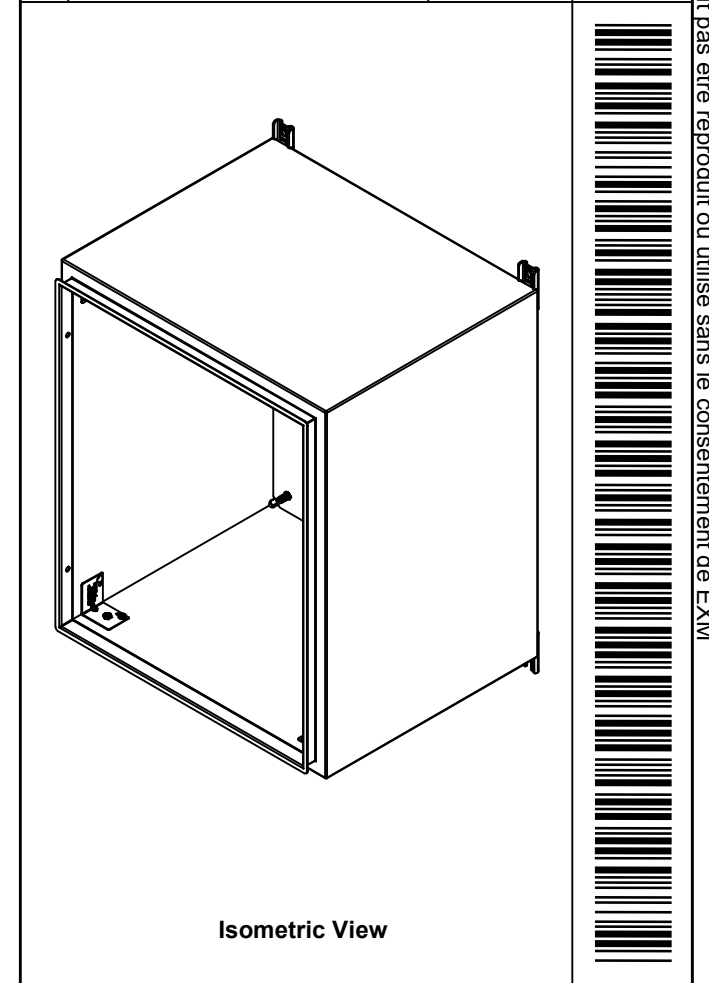


|  |                              |              |
|--|------------------------------|--------------|
|  | Description                  | Status       |
|  | 5412ESS 24" x 20" x 16" Body | (NULL)       |
|  | Part Number<br>Numéro Pièce  | Rev.         |
|  | <b>5412ESS242016THB</b>      | <b>0</b> / 6 |
|  |                              | 16           |

This drawing is confidential and must not be reproduced or used without the consent of EXM


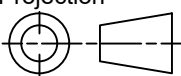
Ce dessin est confidentiel et ne doit pas être reproduit ou utilisé sans le consentement de EXM

| No. | Revisions | Date | By/Par |
|-----|-----------|------|--------|
|     |           |      |        |
|     |           |      |        |
|     |           |      |        |
|     |           |      |        |
|     |           |      |        |



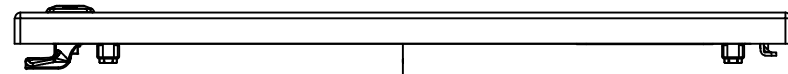
|   |                        |   |   |
|---|------------------------|---|---|
| 2 | 885ESMF4-FEET          | 0 | 885 ESMF4 Stainless Steel Mounting Foot               |
| 4 | RIVET_NUT_SS_M10_FH_CE | 0 | Stainless Steel Rivet Nut M10 (Low Profile Close End) |
| 4 | STK-Q-06670            | 2 | M10 x 16mm Stainless Steel Machine Screw              |
| 2 | 885ESMF4-FEET-A        | 0 | 885 ESMF4 Stainless Steel Mounting Foot (Opened Slot) |
| 1 | STK-K-70554            | 3 | 5412 ESTH Accessory Kit                               |
| 1 | 5412ESS242016THI-RS    | 0 | 5412ESS 24" x 20" Right Insulation                    |
| 1 | 5412ESS242016THI-LS    | 0 | 5412ESS 24" x 20" Left Insulation                     |
| 1 | 5412ESS242016THI-BT    | 0 | 5412ESS 24" x 20" Top and Bottom Insulation           |
| 1 | 5412ESS242016THI-TP    | 0 | 5412ESS 24" x 20" Top and Bottom Insulation           |
| 1 | 5412ESS242016THI-B     | 0 | 5412ESS 24" x 20" Back Insulation                     |
| 4 | STK-Q-16070            | 1 | Stud M6 x 18mm Stainless steel                        |
| 4 | STK-Q-16020            | 1 | Stud M8 x 35mm Stainless Steel                        |
| 1 | 5412ESS242016THB-P     | 0 | 5412ESS 24" x 20" x 16" Body Part                     |

| Qty        | Part Number | Rev | Description |
|------------|-------------|-----|-------------|
| Parts List |             |     |             |

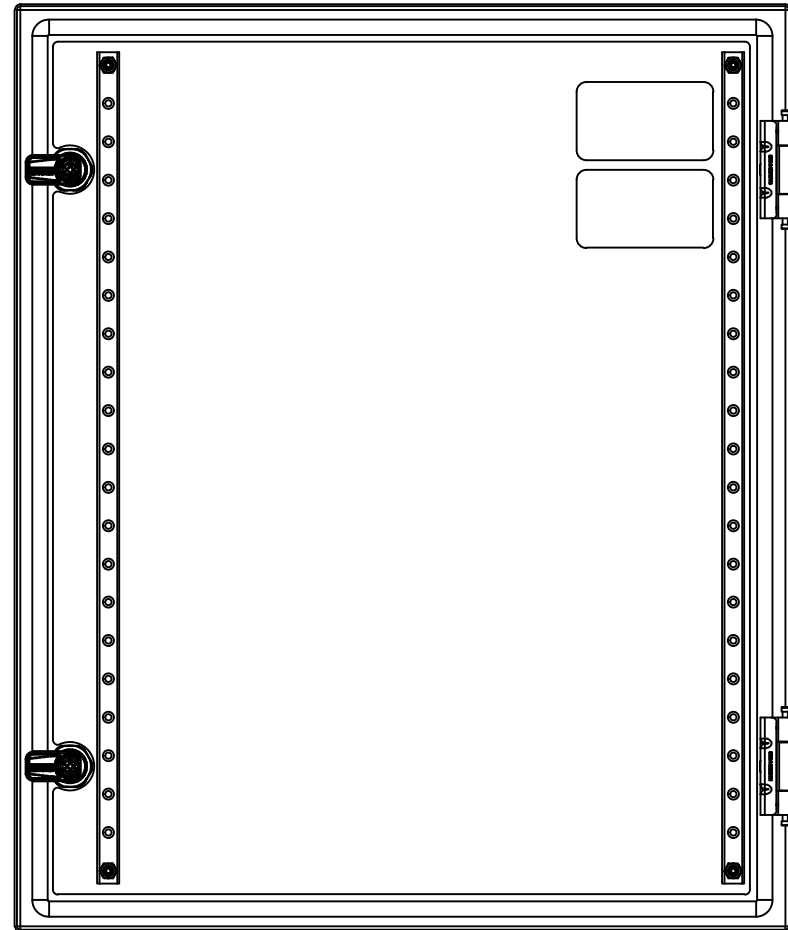
|  |                                   |   |
|--|-----------------------------------|---|
|  Tél: (450) 979-4373<br>Fax: (450) 979-4626<br><a href="http://www.exmweb.com">www.exmweb.com</a> | Flatness<br>Aplatissement         | Max 3.0mm   |
|  | Projection                        |  |
| Customer<br>Client   | Date                              |   |
| Drawn By<br>Dessiné Par  | BoxCad: BoxCad                    | Date 30-May-23  |
| Material<br>Matière  | 16 Ga Stainless Steel 304 (1.4mm) |   |
| Color<br>Couleur   | Unpainted                         | Finish<br>Fini<br>Brushed   |
| Description  | Detail Rev.                       |   |
| 5412ESS 24" x 20" x 16" Body   |                                   |   |
| Part Number<br>Numéro Pièce  | Rev.                              | 7   |
| <b>5412ESS242016THB</b>  | <b>0</b>                          | 16  |

This drawing is confidential and must not be reproduced or used without the consent of EXM

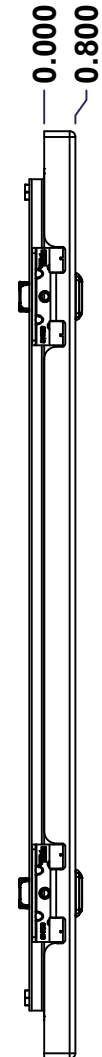
Ce dessin est confidentiel et ne doit pas être reproduit ou utilisé sans le consentement de EXM



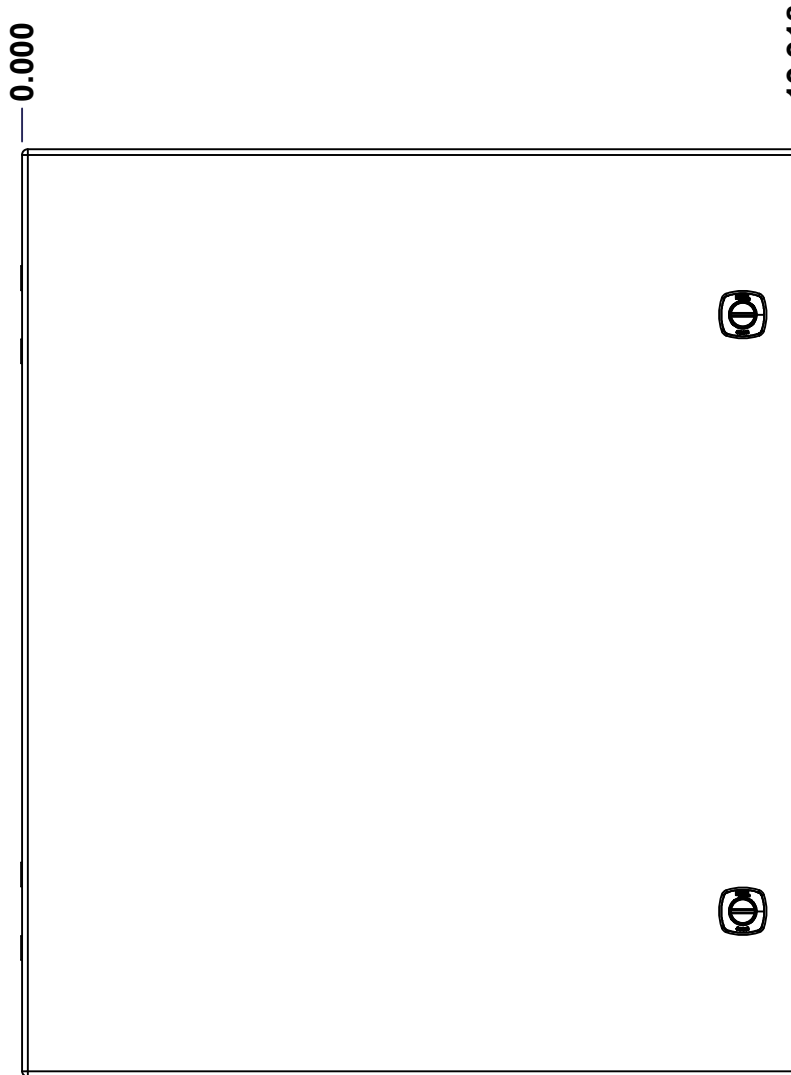
TOP



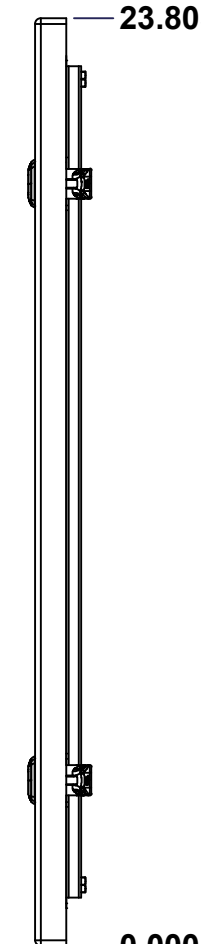
BACK



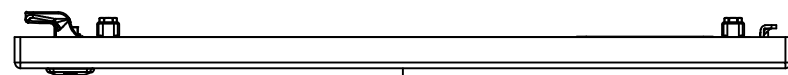
LEFT



FRONT

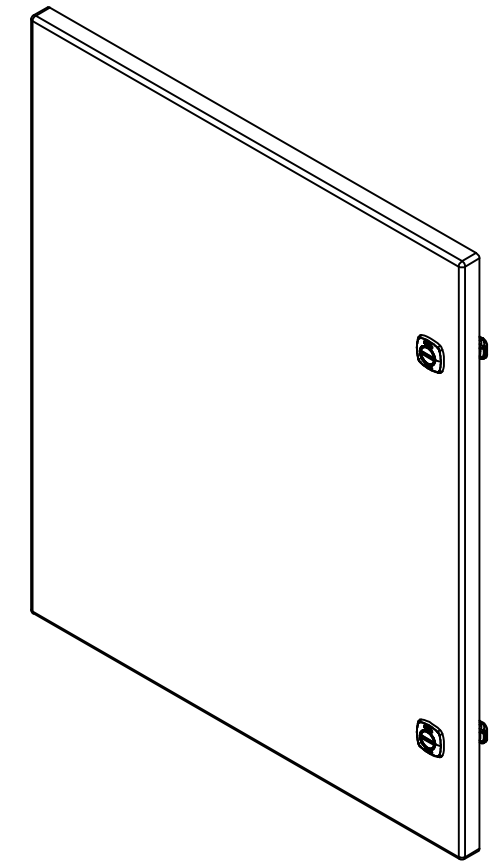


RIGHT



BOTTOM

| No. | Revisions | Date | By/Par |
|-----|-----------|------|--------|
|     |           |      |        |
|     |           |      |        |
|     |           |      |        |
|     |           |      |        |
|     |           |      |        |



Isometric View

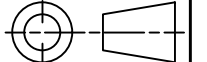


Tél: (450) 979-4373  
 Fax: (450) 979-4626  
[www.exmweb.com](http://www.exmweb.com)

Flatness  
Aplatissement

Max 3.0mm

Projection



|   |                        |
|---|------------------------|
| Customer Client                                       | Date                   |
| Drawn By / Dessiné Par: BoxCad: BoxCad                | Date: 30-May-23        |
| Material / Matière: 16 Ga Stainless Steel 304 (1.4mm) |                        |
| Color / Couleur: Unpainted                            | Finish / Fini: Brushed |
| Description: 5412ESS 24" x 20" Cover                  | Detail Rev.            |
| Part Number / Numéro Pièce: 5412ESS242016THC          | Rev. 8                 |
| SEE BILL OF MATERIAL ON LAST PAGE                     | 0                      |



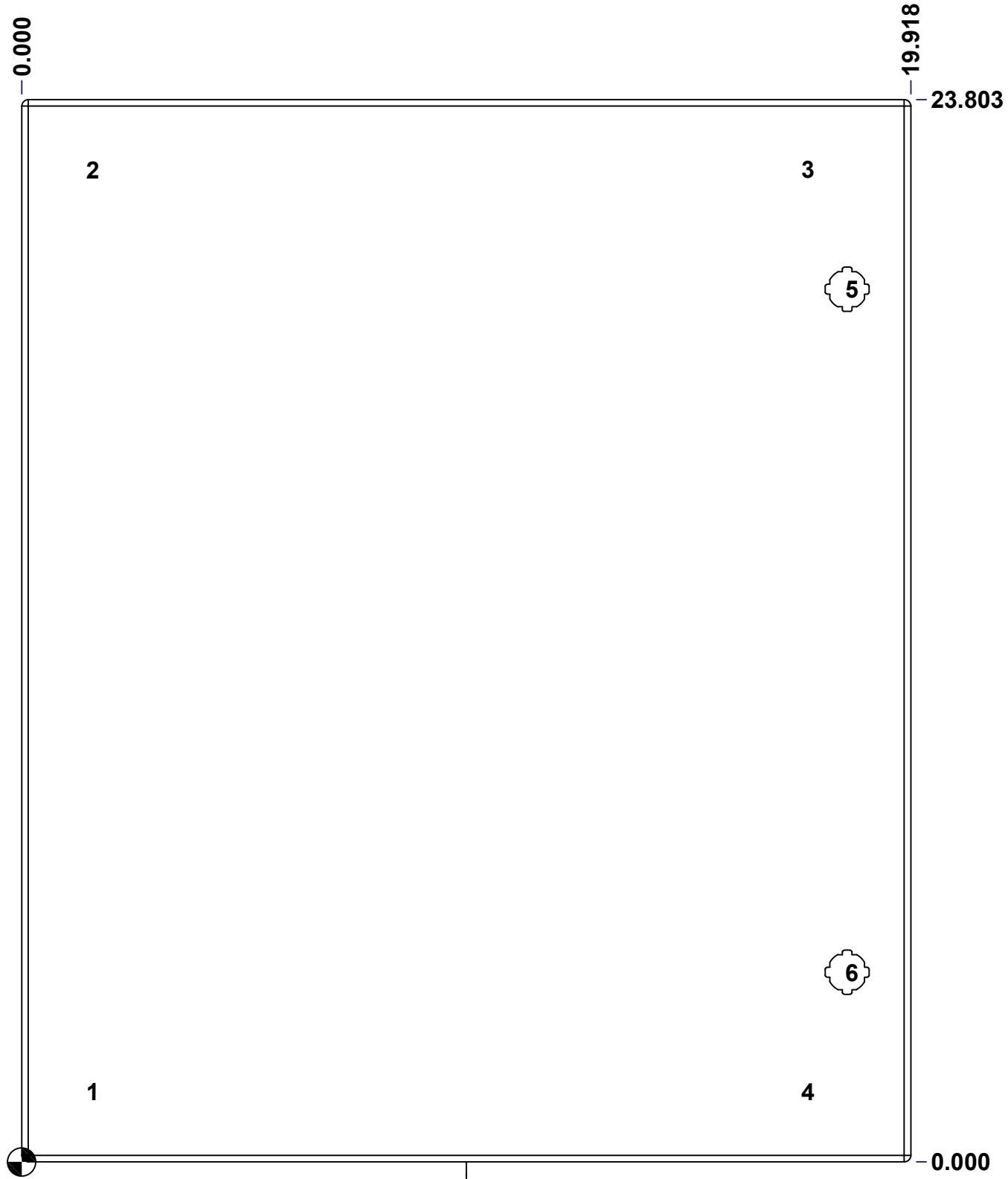
This drawing is confidential and must not be reproduced or used without the consent of EXM

Ce dessin est confidentiel et ne doit pas être reproduit ou utilisé sans le consentement de EXM

**STANDARD FEATURES ARE NOT LISTED IN THIS HOLE TABLE**

**HOLE TABLE - FRONT VIEW (CUSTOM FEATURE ONLY)**

| CUT-OUT | XDIM   | YDIM   | DESCRIPTION             |
|---------|--------|--------|-------------------------|
| 1       | 1.486  | 1.567  | STUD M6 x 18mm (Inside) |
| 2       | 1.486  | 22.236 | STUD M6 x 18mm (Inside) |
| 3       | 17.517 | 22.236 | STUD M6 x 18mm (Inside) |
| 4       | 17.517 | 1.567  | STUD M6 x 18mm (Inside) |
| -----   |        |        |                         |
| 5       | 18.494 | 19.553 | 880 SCQ4-SLSS6          |
| 6       | 18.494 | 4.250  | 880 SCQ4-SLSS6          |



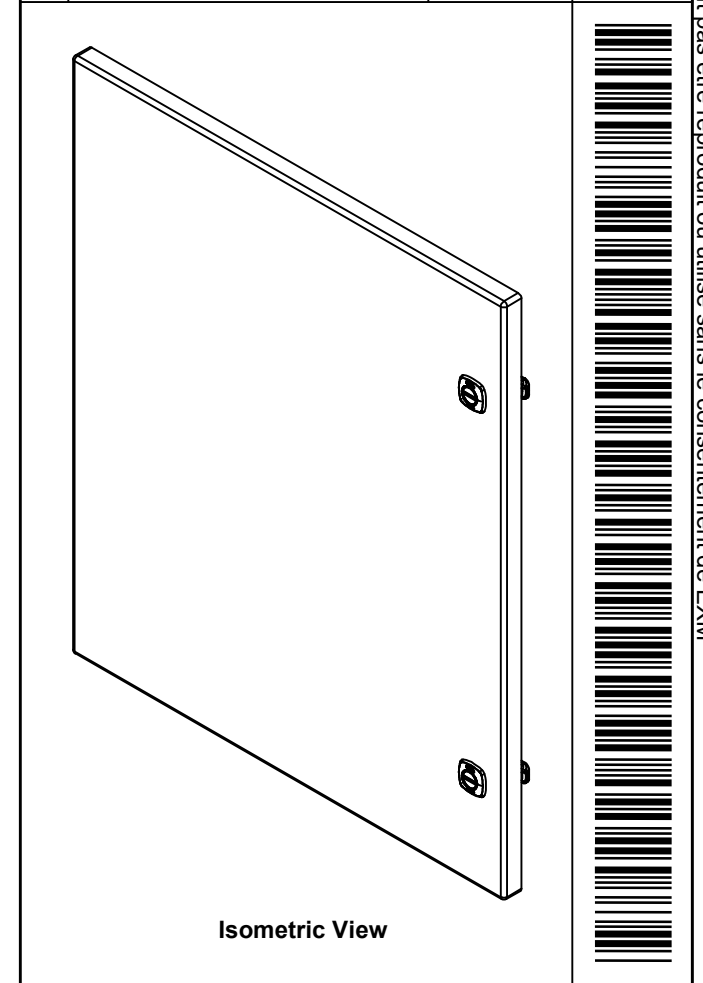
FRONT

|  |                             |          |
|--|-----------------------------|----------|
|  | Description                 | Status   |
|  | 5412ESS 24" x 20" Cover     | (NULL)   |
|  | Part Number<br>Numéro Pièce | Rev.     |
|  | <b>5412ESS242016THC</b>     | <b>0</b> |
|  |                             | 9        |
|  |                             | 16       |

This drawing is confidential and must not be reproduced or used without the consent of EXM

Ce dessin est confidentiel et ne doit pas être reproduit ou utilisé sans le consentement de EXM

| No. | Revisions | Date | By/Par |
|-----|-----------|------|--------|
|     |           |      |        |
|     |           |      |        |
|     |           |      |        |
|     |           |      |        |
|     |           |      |        |



|  |   |
|--|---|
|  Tél: (450) 979-4373<br>Fax: (450) 979-4626<br><a href="http://www.exmweb.com">www.exmweb.com</a> | Flatness<br>Aplatissement   |
|  | Max 3.0mm   |
|  | Projection  |
|  |  |

|                         |                |
|-------------------------|----------------|
| Customer Client         | Date           |
| Drawn By<br>Dessiné Par | Date 30-May-23 |

|                     |                                   |
|---------------------|-----------------------------------|
| Material<br>Matière | 16 Ga Stainless Steel 304 (1.4mm) |
|---------------------|-----------------------------------|

|                  |           |                |         |
|------------------|-----------|----------------|---------|
| Color<br>Couleur | Unpainted | Finish<br>Fini | Brushed |
|------------------|-----------|----------------|---------|

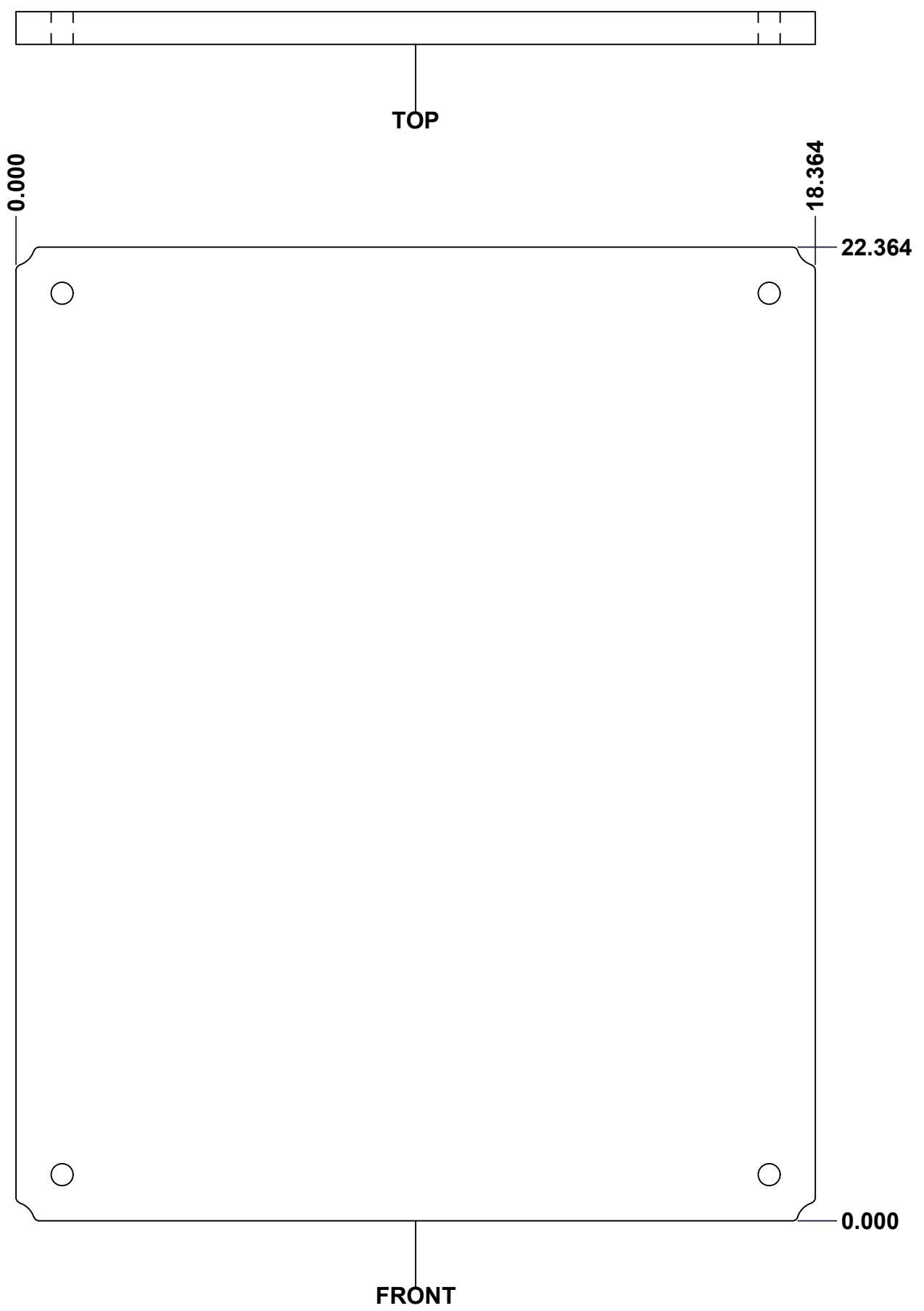
|                         |             |
|-------------------------|-------------|
| Description             | Detail Rev. |
| 5412ESS 24" x 20" Cover |             |

|                             |          |    |
|-----------------------------|----------|----|
| Part Number<br>Numéro Pièce | Rev.     | 10 |
| <b>5412ESS242016THC</b>     | <b>0</b> | 16 |

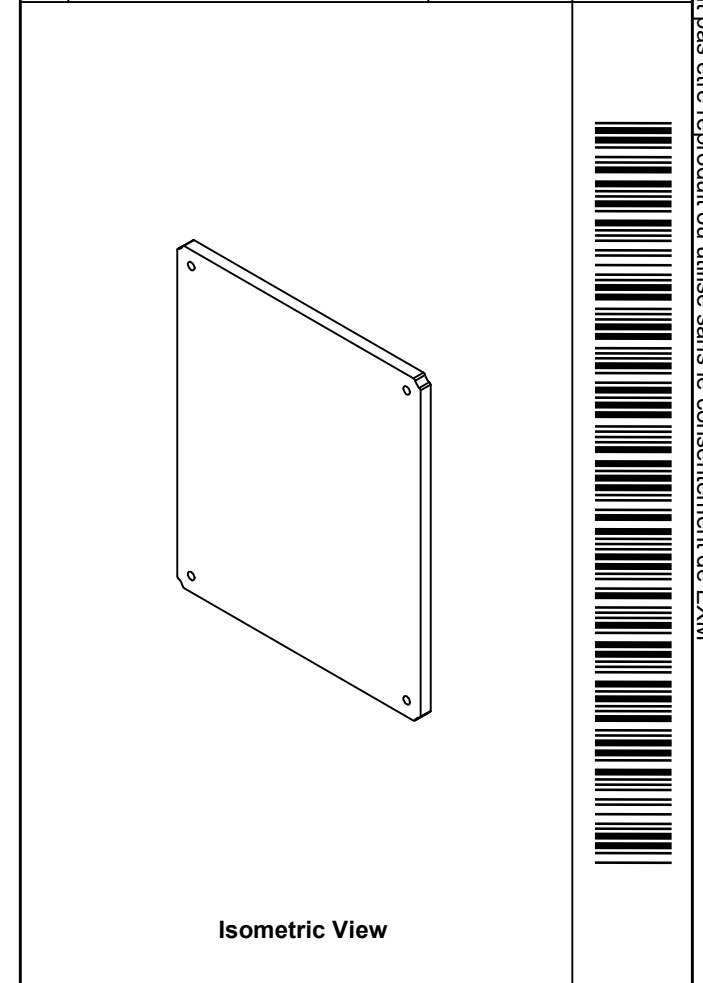
| QTY        | Part Number        | Rev | Description                            |
|------------|--------------------|-----|--|
| 2          | STK-S-00100        | 0   | 3.5" x 2" Silver Milar Flexcon Sticker |
| 4          | STK-Q-07250        | 2   | M6 x 16mm Collar Nut                   |
| 2          | STK-Q-46020-24     | 5   | 5412 ES Vertical Door Stiffener 24"    |
| 1          | 5412ESS242016THI-C | 0   | 5412ESS 24" x 20" Cover Insulation     |
| 4          | STK-Q-16070        | 1   | Stud M6 x 18mm Stainless steel         |
| 1          | 5412ESS242016THG   | 0   | 5412ESS 24" x 20" Cover Gasket Part    |
| 1          | 5412ESS242016THC-P | 0   | 5412ESS 24" x 20" Cover Part           |
| 2          | 880 SCQ4-SLSS6     | 7   | 5412 ESS 1/4 Turn Lock                 |
| 2          | STK-A-33016        | 0   | 5412 ESS Bended Hinge (Body Part)      |
| Parts List |                    |     |  |


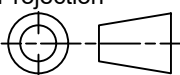
This drawing is confidential and must not be reproduced or used without the consent of EXM

Ce dessin est confidentiel et ne doit pas être reproduit ou utilisé sans le consentement de EXM



| No. | Revisions | Date | By/Par |
|-----|-----------|------|--------|
|     |           |      |        |
|     |           |      |        |
|     |           |      |        |
|     |           |      |        |
|     |           |      |        |

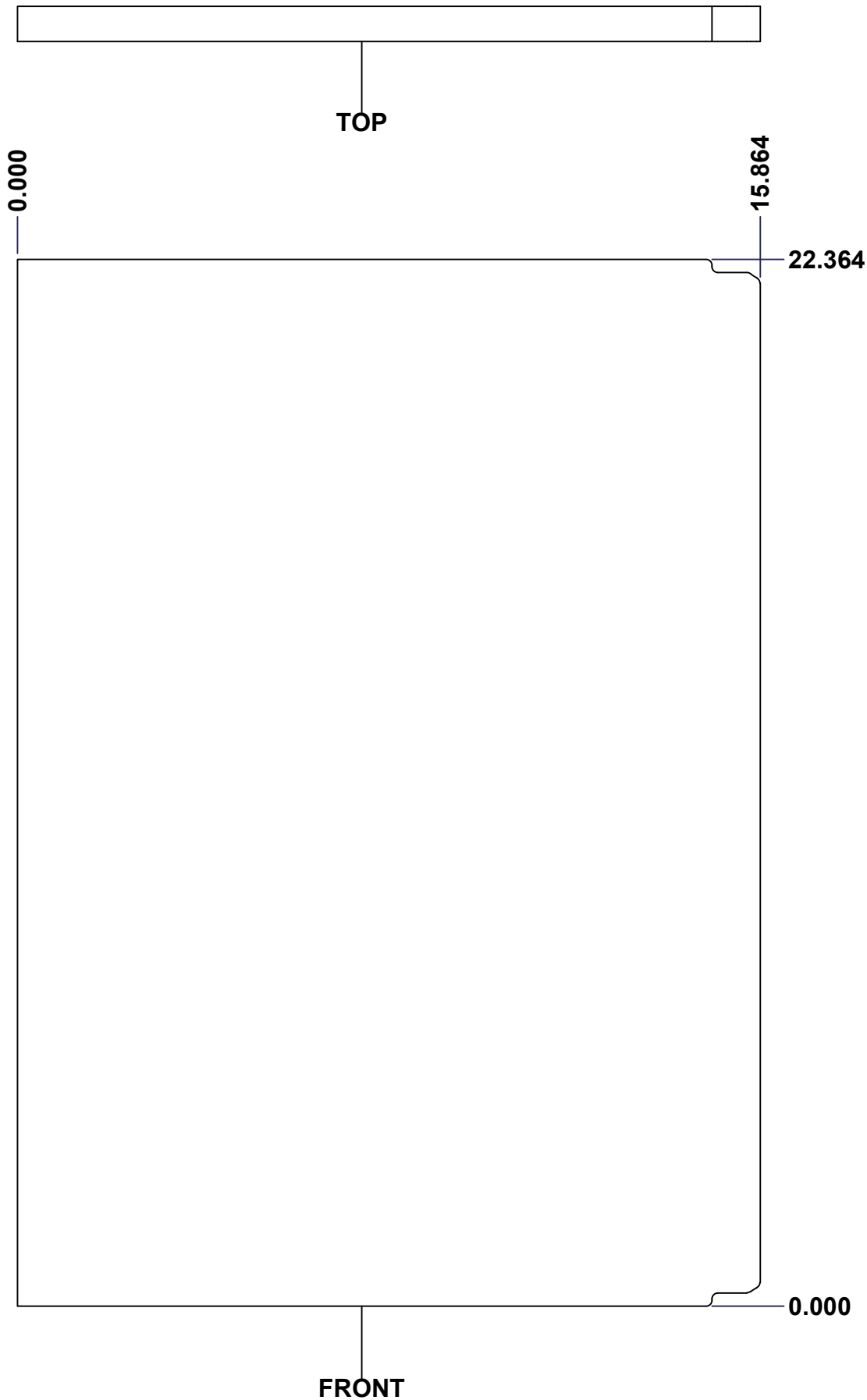


|  |                    |   |
|--|--------------------|---|
|  Tél: (450) 979-4373<br>Fax: (450) 979-4626<br><a href="http://www.exmweb.com">www.exmweb.com</a> |                    | Flatness<br>Aplatissement<br>Max 3.0mm  |
| Customer Client  |                    | Projection<br> |
| Drawn By / Dessiné Par: BoxCad: Patrick Deschenes  |                    | Date: 23-Jan-07   |
| Material / Matière: Polyisocyanurate   |                    |   |
| Color / Couleur: Aluminum  | Finish / Fini: N/A |   |
| Description: 5412ESS 24" x 20" Back Insulation   |                    | Detail Rev.   |
| Part Number / Numéro Pièce: 5412ESS242016THI-B   |                    | Rev. 11 / 16  |

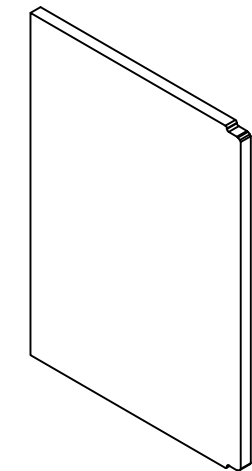
SEE BILL OF MATERIAL ON LAST PAGE

This drawing is confidential and must not be reproduced or used without the consent of EXM

Ce dessin est confidentiel et ne doit pas être reproduit ou utilisé sans le consentement de EXM


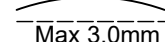
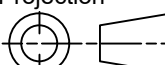


| No. | Revisions | Date | By/Par |
|-----|-----------|------|--------|
|     |           |      |        |
|     |           |      |        |
|     |           |      |        |
|     |           |      |        |
|     |           |      |        |



Isometric View

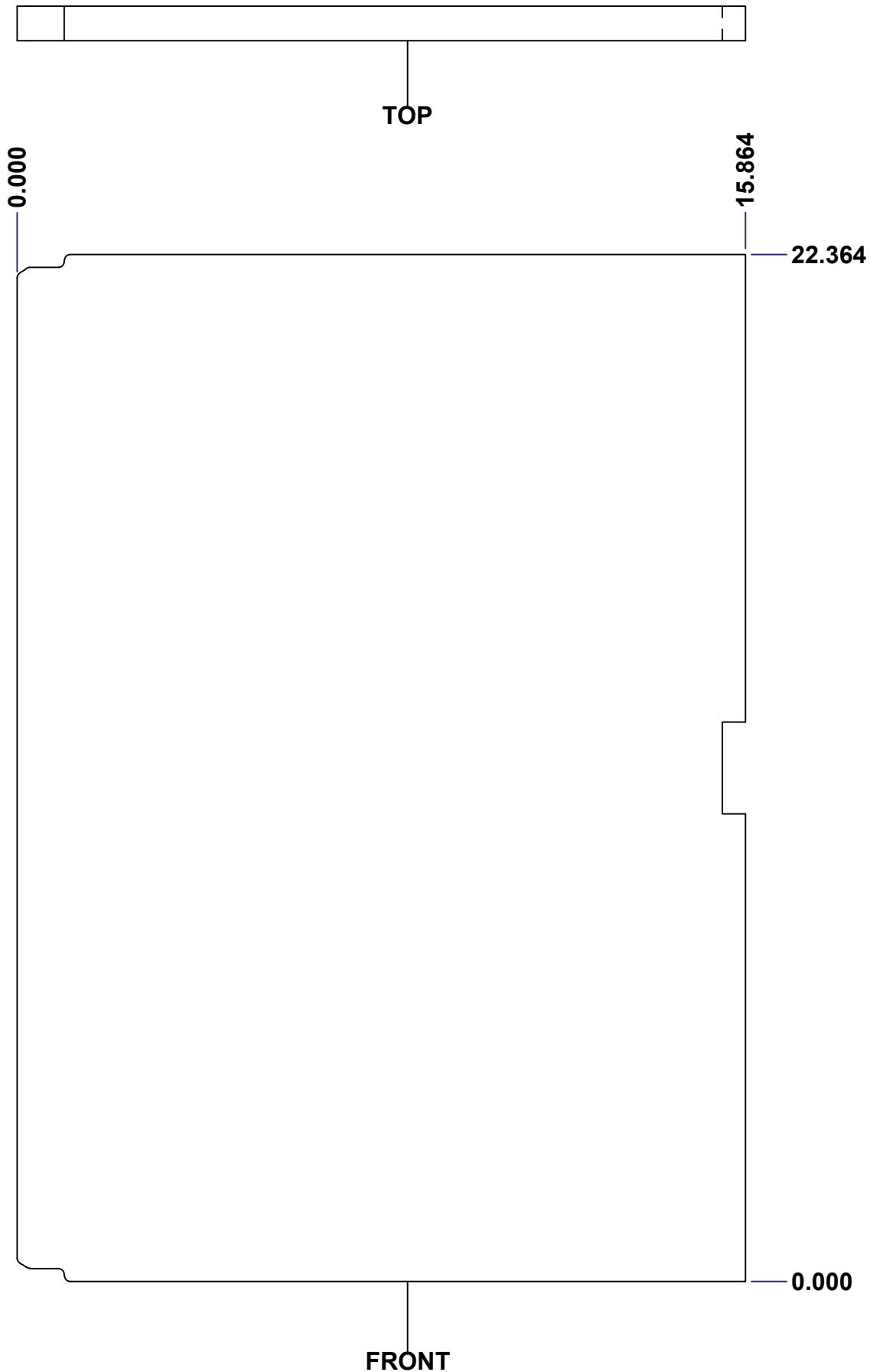


|  |                           |   |
|--|---------------------------|---|
|  Tél: (450) 979-4373<br>Fax: (450) 979-4626<br><a href="http://www.exmweb.com">www.exmweb.com</a> |                           | Flatness<br>Aplatissement<br><br>Max 3.0mm |
| Projection<br>  |                           | Date<br>23-Jan-07   |
| Customer Client  | Date                      |   |
| Drawn By<br>Dessiné Par  | BoxCad: Patrick Deschenes | Date 23-Jan-07  |
| Material<br>Matière  | Polyisocyanurate          |   |
| Color<br>Couleur   | Aluminum                  | Finish<br>Fini N/A  |
| Description  | Detail Rev.               |   |
| 5412ESS 24" x 20" Left Insulation  |                           |   |
| Part Number<br>Numéro Pièce  | Rev.                      | 12  |
| <b>5412ESS242016THI-LS</b>   | <b>0</b>                  | 16  |

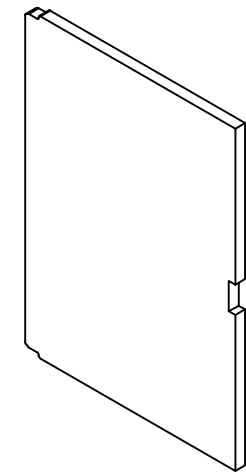
SEE BILL OF MATERIAL ON LAST PAGE

This drawing is confidential and must not be reproduced or used without the consent of EXM

Ce dessin est confidentiel et ne doit pas être reproduit ou utilisé sans le consentement de EXM


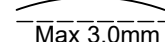
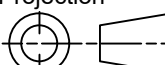


| No. | Revisions | Date | By/Par |
|-----|-----------|------|--------|
|     |           |      |        |
|     |           |      |        |
|     |           |      |        |
|     |           |      |        |
|     |           |      |        |



Isometric View

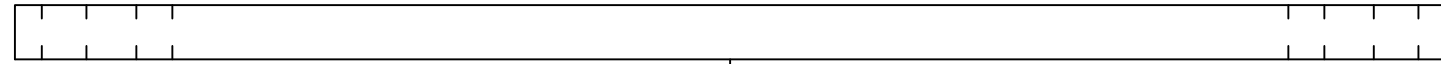


|  |                           |  |
|--|---------------------------|--|
|  Tél: (450) 979-4373<br>Fax: (450) 979-4626<br><a href="http://www.exmweb.com">www.exmweb.com</a> |                           | Flatness<br>Aplatissement<br><br>Max 3.0mm<br>Projection<br> |
| Customer Client  | Date                      |  |
| Drawn By<br>Dessiné Par  | BoxCad: Patrick Deschenes | Date 23-Jan-07   |
| Material<br>Matière  | Polyisocyanurate          |  |
| Color<br>Couleur   | Aluminum                  | Finish<br>Fini N/A   |
| Description  | Detail Rev.               |  |
| 5412ESS 24" x 20" Right Insulation   |                           |  |
| Part Number<br>Numéro Pièce  | Rev.                      | 13   |
| 5412ESS242016THI-RS  | 0                         | 16   |

SEE BILL OF MATERIAL ON LAST PAGE

This drawing is confidential and must not be reproduced or used without the consent of EXM

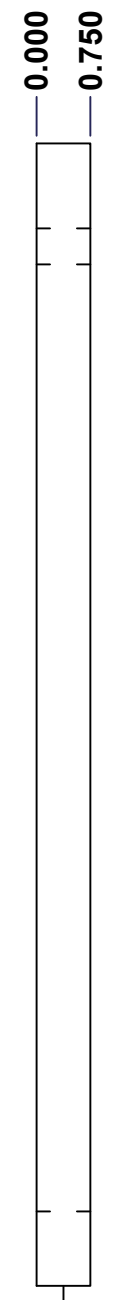
Ce dessin est confidentiel et ne doit pas être reproduit ou utilisé sans le consentement de EXM



TOP



FRONT



RIGHT

| No. | Revisions | Date | By/Par |
|-----|-----------|------|--------|
|     |           |      |        |
|     |           |      |        |
|     |           |      |        |
|     |           |      |        |
|     |           |      |        |

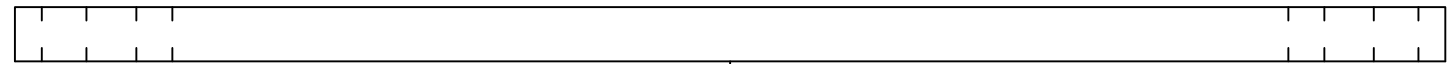
**Isometric View**

|  |                    |                           |
|--|--------------------|---------------------------|
| Tél: (450) 979-4373<br>Fax: (450) 979-4626<br><a href="http://www.exmweb.com">www.exmweb.com</a> |                    | Flatness<br>Aplatissement |
|  |                    | Max 3.0mm                 |
| Customer Client  |                    | Projection<br>            |
| Drawn By / Dessiné Par: BoxCad: Patrick Deschenes  |                    | Date: 23-Jan-07           |
| Material / Matière: Polyisocyanurate   |                    |                           |
| Color / Couleur: Aluminum  | Finish / Fini: N/A |                           |
| Description: 5412ESS 24" x 20" Top and Bottom Insulation   |                    | Detail Rev.               |
| Part Number / Numéro Pièce: 5412ESS242016THI-TP  |                    | Rev. 14 / 16              |

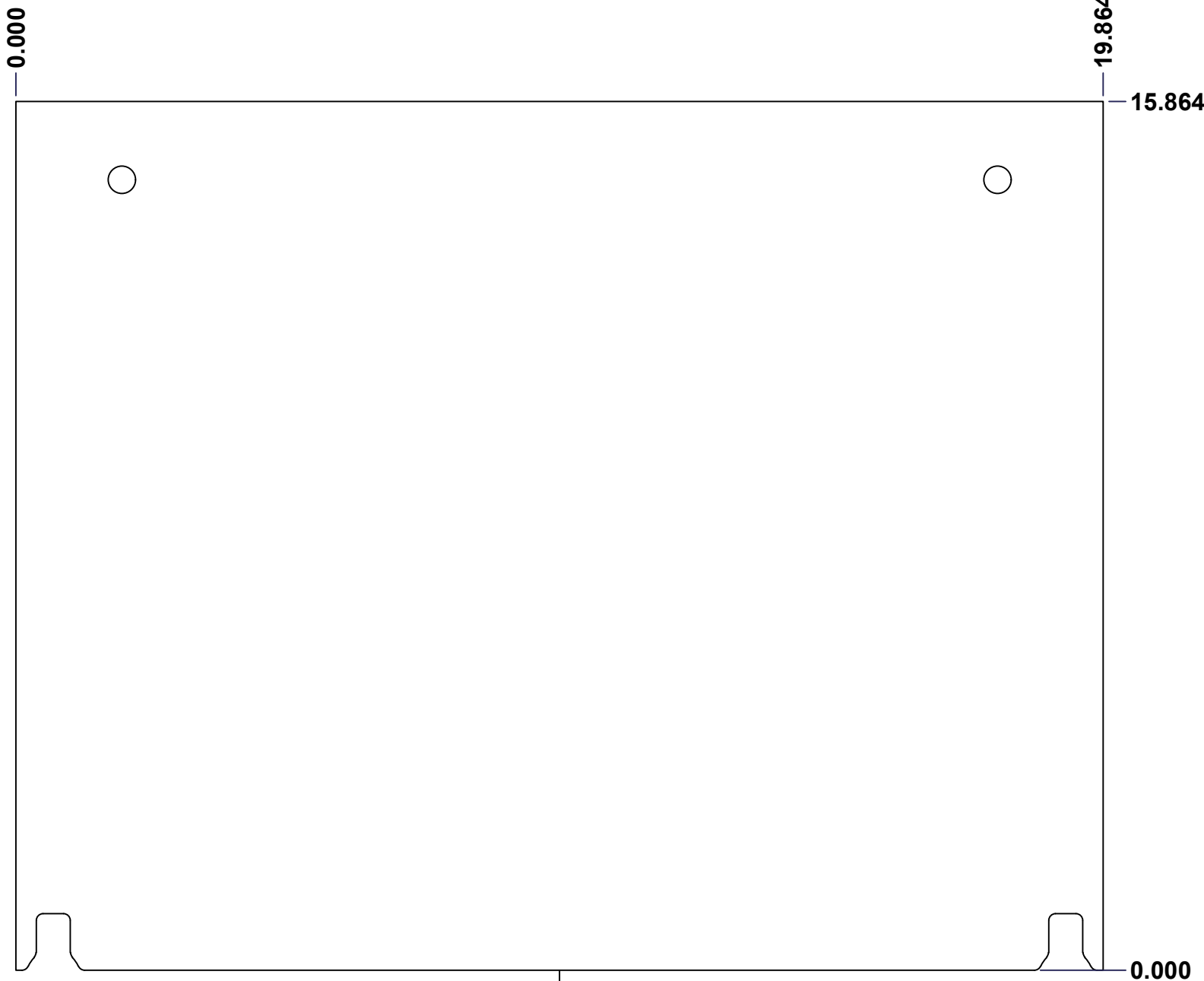
SEE BILL OF MATERIAL ON LAST PAGE

This drawing is confidential and must not be reproduced or used without the consent of EXM

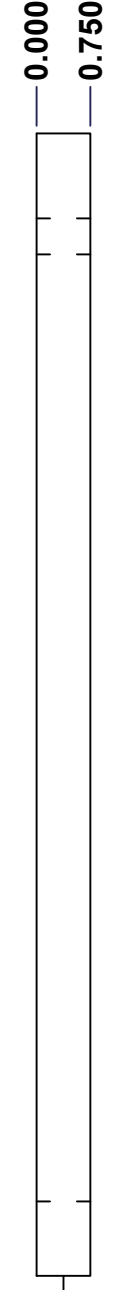
Ce dessin est confidentiel et ne doit pas être reproduit ou utilisé sans le consentement de EXM



TOP



FRONT



RIGHT

| No. | Revisions | Date | By/Par |
|-----|-----------|------|--------|
|     |           |      |        |
|     |           |      |        |
|     |           |      |        |
|     |           |      |        |
|     |           |      |        |

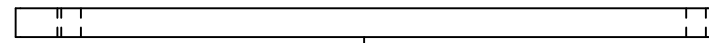
**Isometric View**

|  |  |                           |             |
|--|--|---------------------------|-------------|
| Tél: (450) 979-4373<br>Fax: (450) 979-4626<br><a href="http://www.exmweb.com">www.exmweb.com</a> |  | Flatness<br>Aplatissement |             |
|  |  | Max 3.0mm                 |             |
| Customer<br>Client   |  | Date                      |             |
| Drawn By<br>Dessiné Par BoxCad: Patrick Deschenes  |  | Date 23-Jan-07            |             |
| Material<br>Matière Polyisocyanurate   |  |                           |             |
| Color<br>Couleur Aluminum  |  | Finish<br>Fini N/A        |             |
| Description<br>5412ESS 24" x 20" Top and Bottom<br>Insulation                                    |  |                           | Detail Rev. |
| Part Number<br>Numéro Pièce <b>5412ESS242016THI-BT</b>   |  | Rev. <b>0</b>             | 15<br>16    |

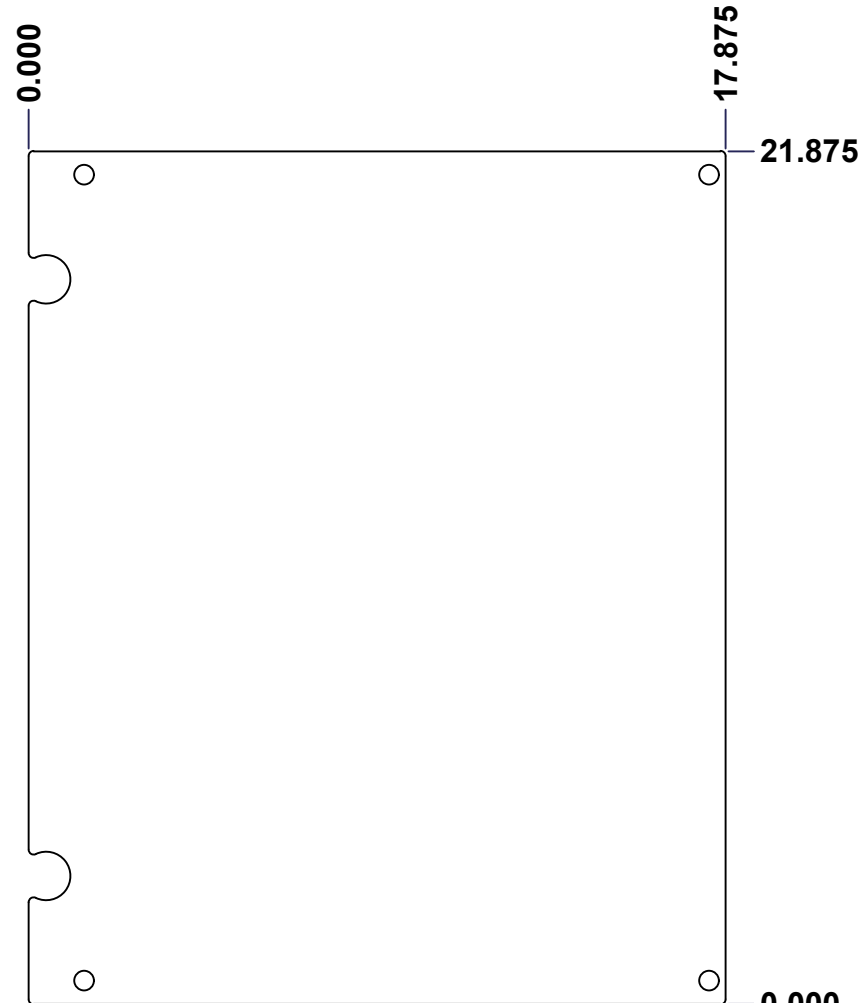
SEE BILL OF MATERIAL ON LAST PAGE

This drawing is confidential and must not be reproduced or used without the consent of EXM

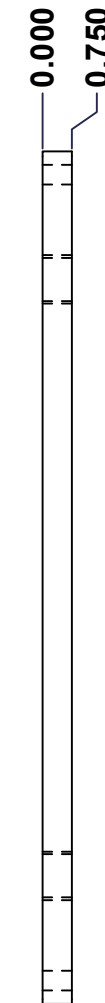
Ce dessin est confidentiel et ne doit pas être reproduit ou utilisé sans le consentement de EXM



TOP

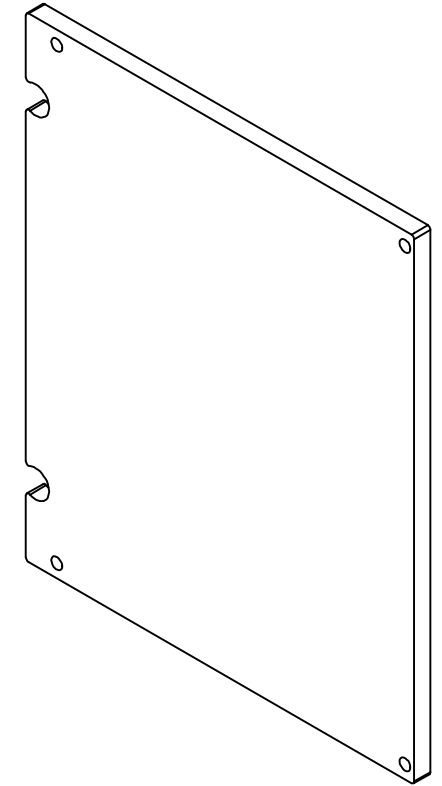


FRONT



RIGHT

| No. | Revisions | Date | By/Par |
|-----|-----------|------|--------|
|     |           |      |        |
|     |           |      |        |
|     |           |      |        |
|     |           |      |        |



Isometric View

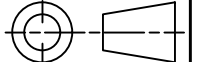


Tél: (450) 979-4373  
 Fax: (450) 979-4626  
[www.exmweb.com](http://www.exmweb.com)

Flatness  
Aplatissement

Max 3.0mm

Projection



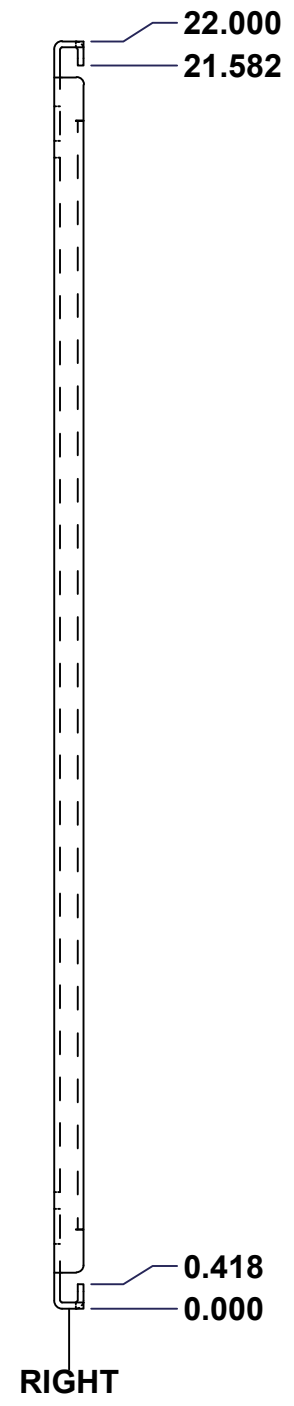
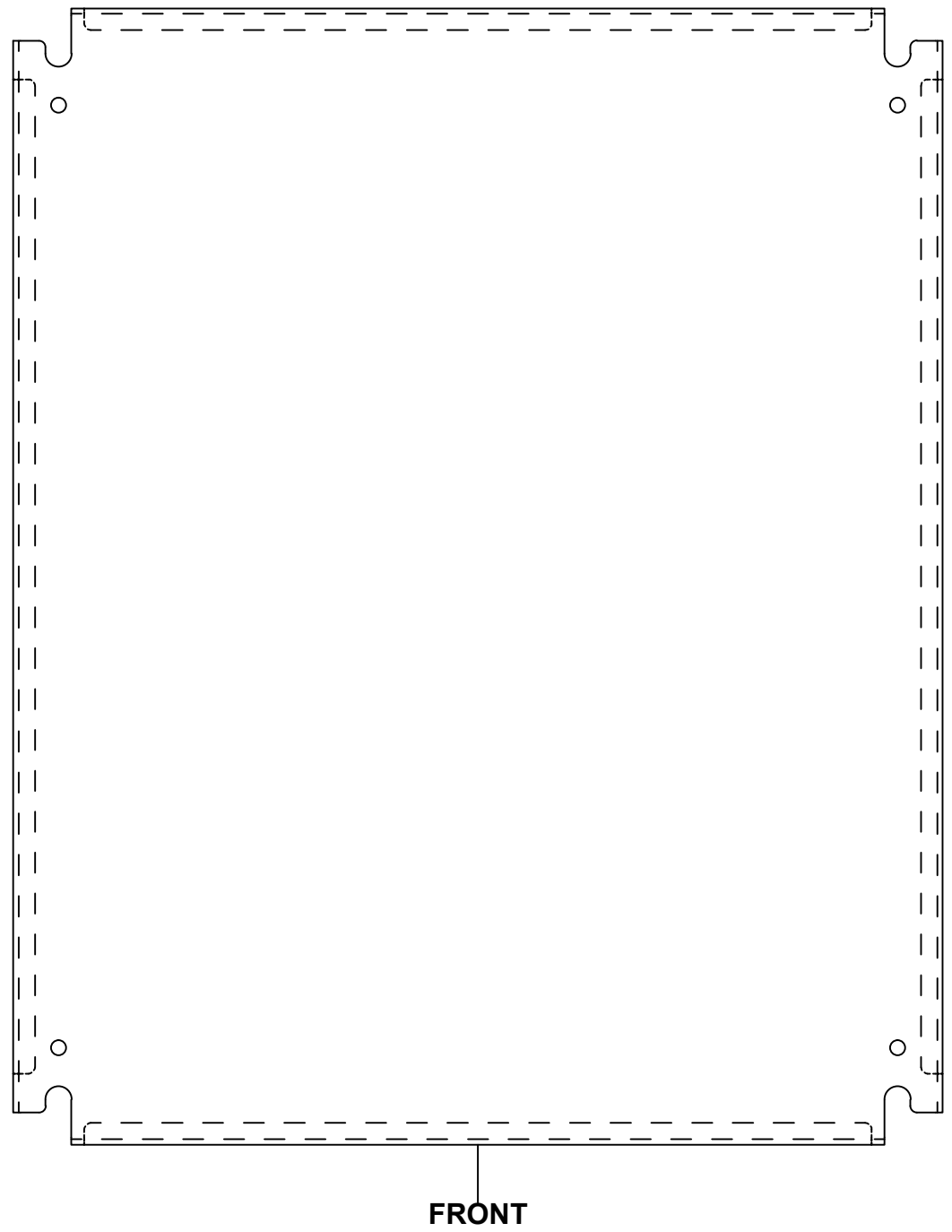
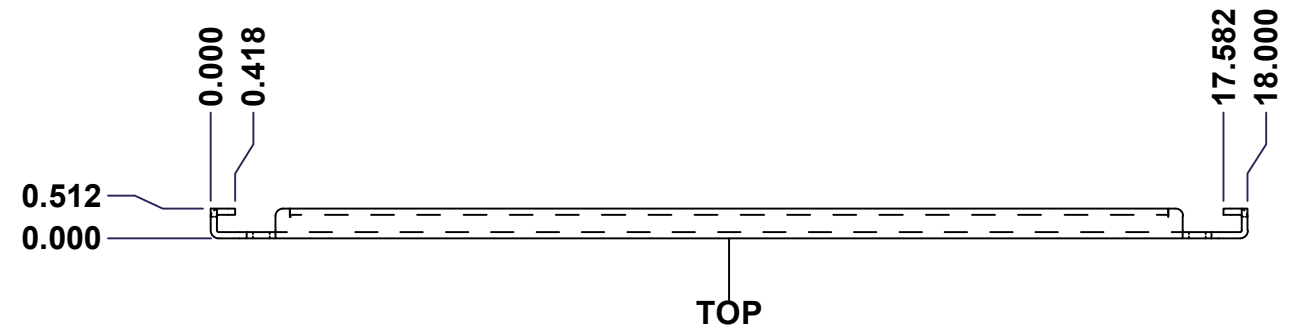
|                                    |                  |
|------------------------------------|------------------|
| Customer Client                    | Date             |
| Drawn By<br>Dessiné Par            | Date 23-Jan-07   |
| Material<br>Matière                | Polyisocyanurate |
| Color<br>Couleur                   | Aluminum         |
| Finish<br>Fini                     | N/A              |
| Description                        | Detail Rev.      |
| 5412ESS 24" x 20" Cover Insulation |                  |
| Part Number<br>Numéro Pièce        | Rev. 16          |
| 5412ESS242016THI-C                 | 0                |

SEE BILL OF MATERIAL ON LAST PAGE



This drawing is confidential and must not be reproduced or used without the consent of EXM

Ce dessin est confidentiel et ne doit pas être reproduit ou utilisé sans le consentement de EXM



| No. | Revisions | Date | By/Par |
|-----|-----------|------|--------|
|     |           |      |        |
|     |           |      |        |
|     |           |      |        |
|     |           |      |        |
|     |           |      |        |

Isometric View

|   |                           |
|---|---------------------------|
| <p>Tél: (450) 979-4373<br/>Fax: (450) 979-4626<br/>www.exmweb.com</p> | Flatness<br>Aplatissement |
|   | Max 3.0mm                 |
| Projection  |                           |
| Customer Client   | Date                      |
| Drawn By<br>Dessiné Par BoxCad  | Date 23-Jan-07            |
| Material<br>Matière   | See Part List             |
| Color<br>Couleur  | See Part List             |
| Finish<br>Fini  | See Part List             |
| Description   | Detail Rev.               |
| 881 SP - Inner Panel  |                           |
| Part Number<br>Numéro Pièce   | Rev. 1                    |
| <b>881 SP2420G</b>  | <b>0</b> 2                |

| Qty | Part Number   | Rev | Description               | Material         | Color     | Finish     |
|-----|---------------|-----|---------------------------|------------------|-----------|------------|
| 1   | 881 SP2420G-P | 0   | 881 SP - Inner Panel Part | 12 Ga Galvanized | Unpainted | Galvanized |

Parts List

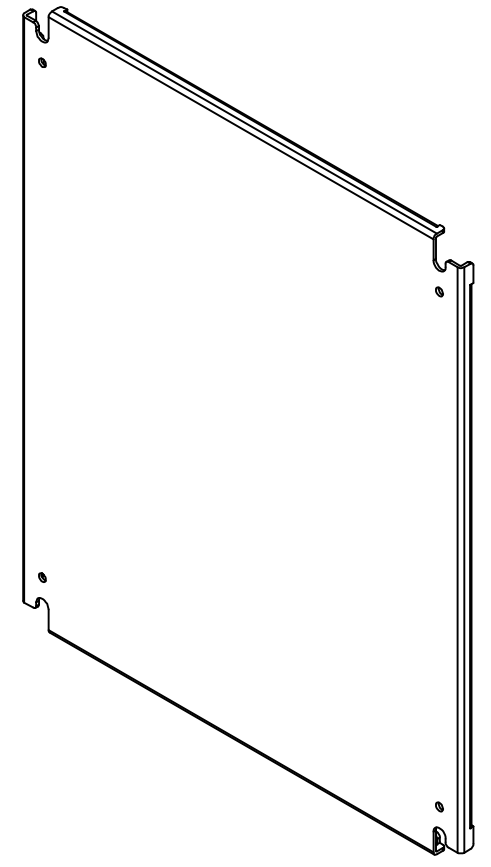
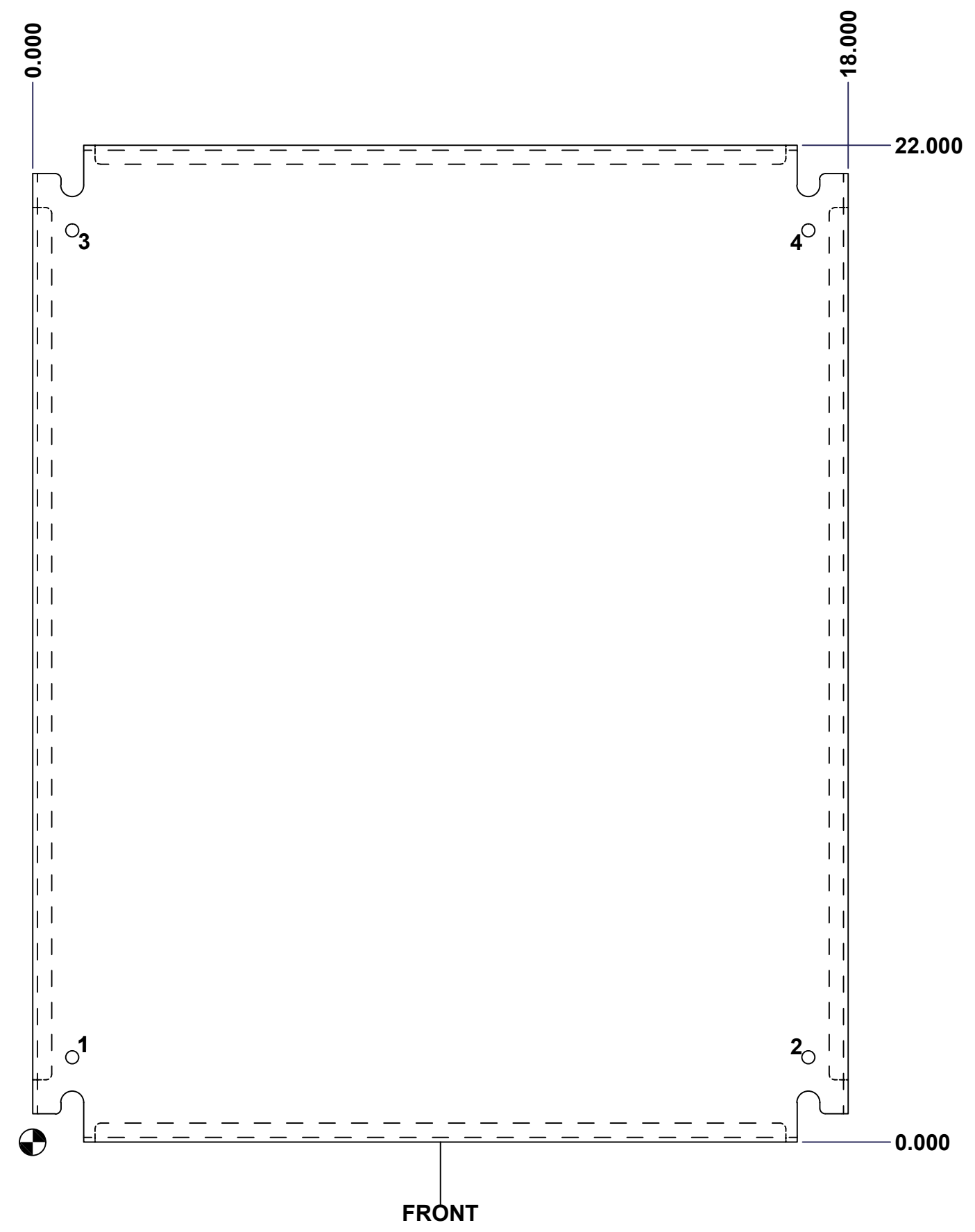
This drawing is confidential and must not be reproduced or used without the consent of EXM

Ce dessin est confidentiel et ne doit pas être reproduit ou utilisé sans le consentement de EXM

| Table 1 |        |        | FRONT VIEW               |
|---------|--------|--------|--------------------------|
| CUT-OUT | XDIM   | YDIM   | DESCRIPTION              |
| 1       | 0.875  | 1.875  | GROUND HOLE (RND Ø0.290) |
| 2       | 17.125 | 1.875  | GROUND HOLE (RND Ø0.290) |
| 3       | 0.875  | 20.125 | GROUND HOLE (RND Ø0.290) |
| 4       | 17.125 | 20.125 | GROUND HOLE (RND Ø0.290) |

All knockouts are actual size / Les disques défonçables sont grandeur réel

| No. | Revisions | Date | By/Par |
|-----|-----------|------|--------|
|     |           |      |        |
|     |           |      |        |
|     |           |      |        |
|     |           |      |        |
|     |           |      |        |



Isometric View



|                             |  |                              |
|-----------------------------|--|------------------------------|
|                             | Tél: (450) 979-4373<br>Fax: (450) 979-4626<br>www.exmweb.com | Flatness<br>Aplatissement    |
|                             |  | Max 3.0mm<br>Projection<br>  |
| Customer<br>Client          | Date   |                              |
| Drawn By<br>Dessiné Par     | BoxCad   | Date 23-Jan-07               |
| Material<br>Matière         | See Part List  |                              |
| Color<br>Couleur            | See Part List  | Finish<br>Fini See Part List |
| Description                 | 881 SP - Inner Panel   |                              |
| Part Number<br>Numéro Pièce | 881 SP2420G  | Detail Rev.                  |
|                             | Rev. 0   | 2 / 2                        |