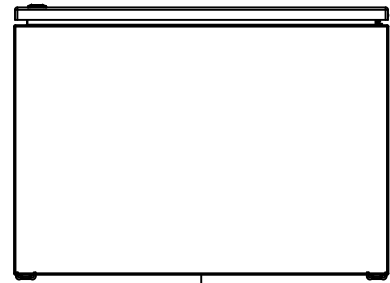
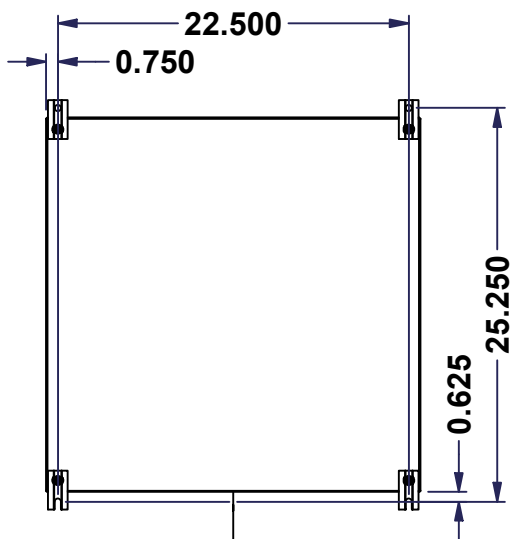


This drawing is confidential and must not be reproduced or used without the consent of EXM

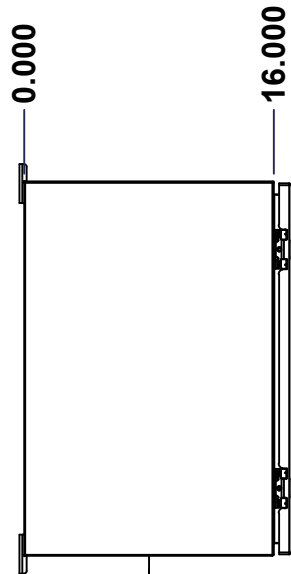
Ce dessin est confidentiel et ne doit pas être reproduit ou utilisé sans le consentement de EXM



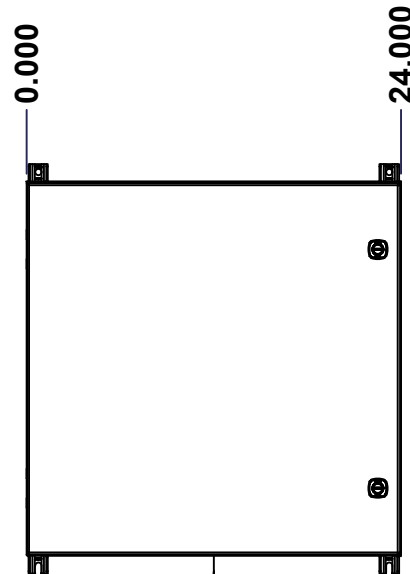
TOP



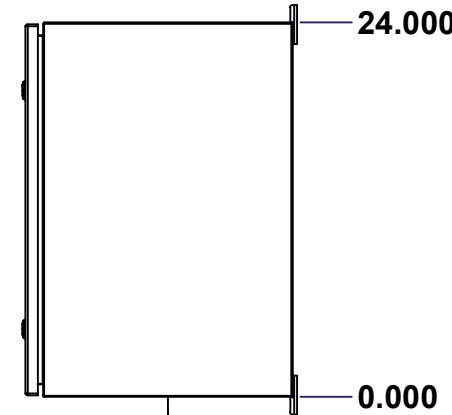
BACK



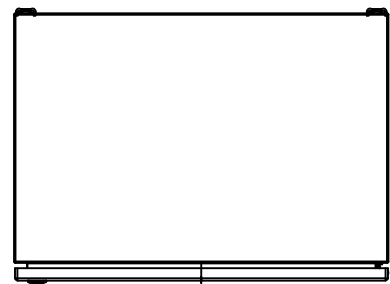
LEFT



FRONT



RIGHT

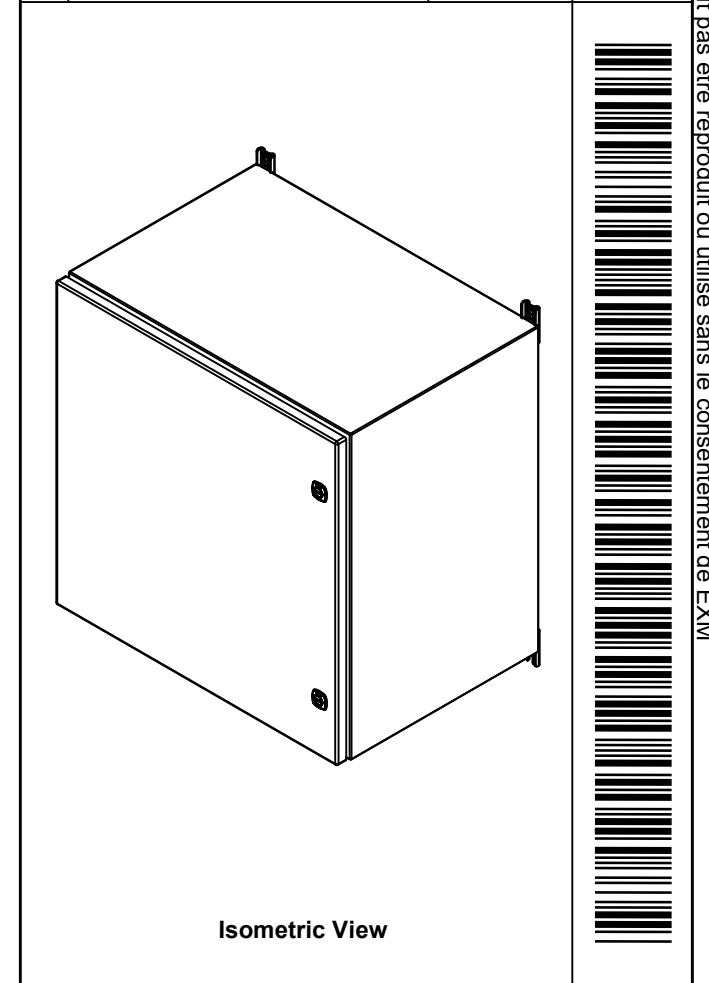


BOTTOM

**GRAIN DIRECTION:
TOP/BOTTOM: HORIZONTAL
LEFT/RIGHT/BACK/FRONT: VERTICAL**


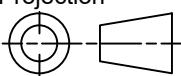
SEE BILL OF MATERIAL ON LAST PAGE

| No. | Revisions | Date | By/Par |
|-----|-----------|------|--------|
| | | | |
| | | | |
| | | | |
| | | | |



Isometric View



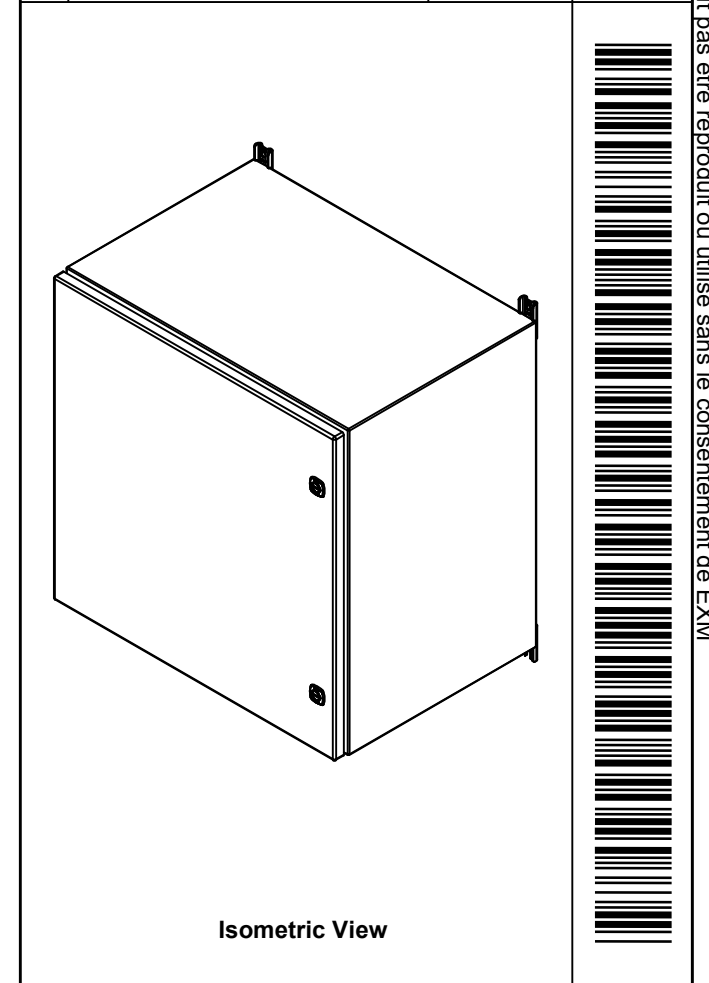
| | | | |
|--|-----------------------------------|---|-------------|
|  Tél: (450) 979-4373 Fax: (450) 979-4626 www.exmweb.com | Flatness Aplatissement | Max 3.0mm | |
| | Projection |  | |
| Customer Client | Date | | |
| Drawn By Dessiné Par | BoxCad: BoxCad | Date 30-May-23 | |
| Material Matière | 16 Ga Stainless Steel 304 (1.4mm) | | |
| Color Couleur | Unpainted | Finish Fini | Brushed |
| Description | 5412ESS 24" x 24" x 16" Assembly | | Detail Rev. |
| Part Number Numéro Pièce | 5412ESS242416TH | | Rev. 1 |
| | | | 16 |


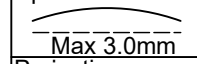
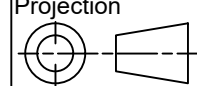
This drawing is confidential and must not be reproduced or used without the consent of EXM

Ce dessin est confidentiel et ne doit pas être reproduit ou utilisé sans le consentement de EXM

| NOTE | |
|------|---|
| ITEM | DESCRIPTION |
| 1 | NEMA 4X Enclosure |
| 2 | C/W Standard ground studs on box and cover |
| 3 | C/W Standard door stiffener |
| 4 | C/W Standard inner panel (Included) |
| 5 | C/W Standard inner panel mounting studs |
| 6 | C/W 885 ESMF4_OPEN Sold separately (Installed) |
| 7 | C/W 885 ESMF4_CLOSE Sold separately (Installed) |
| 8 | C/W R5 Insulation (Installed by EXM) |

| No. | Revisions | Date | By/Par |
|-----|-----------|------|--------|
| | | | |
| | | | |
| | | | |
| | | | |
| | | | |
| | | | |
| | | | |



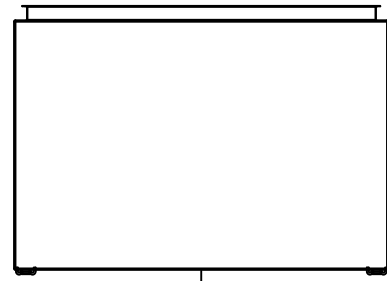
| | | |
|--|-----------------------------------|--|
|  Tél: (450) 979-4373 Fax: (450) 979-4626 www.exmweb.com | | Flatness Aplatissement  Max 3.0mm Projection  |
| Customer Client | Date | |
| Drawn By Dessiné Par | BoxCad: BoxCad | Date 30-May-23 |
| Material Matière | 16 Ga Stainless Steel 304 (1.4mm) | |
| Color Couleur | Unpainted | Finish Fini Brushed |
| Description | Detail Rev. | |
| 5412ESS 24" x 24" x 16" Assembly | | |
| Part Number Numéro Pièce | Rev. | 2 |
| 5412ESS242416TH | 0 | 16 |

| PACKING | | |
|-----------------------|-----|--|
| ITEM | QTY | DESCRIPTION |
| Cardboard sleeve | 2 | Top and Bottom |
| Cardboard strip | 2 | Between back of enclosure and inner panel |
| Plastic bag | 1 | To protect cover surface and inside gasket |
| Plastic strap - Black | 2 | To Squeeze the 2 cardboard sleeve together |
| Packaging label | 1 | White label with product number |

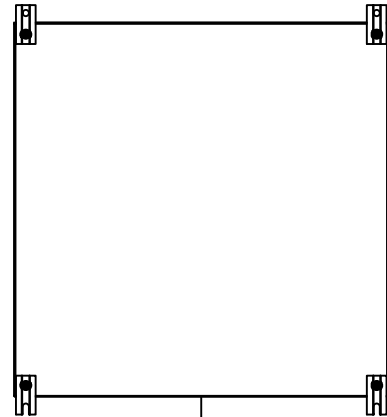
| | | | |
|------------|------------------|-----|--|
| 4 | STK-Q-00600 | 2 | M12 to M8 Adaptor |
| 1 | 881 SP2424G | 0 | 881 SP - Inner Panel |
| 1 | STK-K-01800 | 5 | 5412 ES Accessory Kit |
| 1 | 5412ESS242416THC | 0 | 5412ESS 24" x 24" Cover |
| 1 | 5412ESS242416THB | 0 | 5412ESS 24" x 24" x 16" Body |
| 2 | STK-Q-04051-08 | 1 | M6 x 8mm Stainless Steel Hexagon Socket Head Machine Screw with Nyseal |
| Qty | Part Number | Rev | Description |
| Parts List | | | |

This drawing is confidential and must not be reproduced or used without the consent of EXM

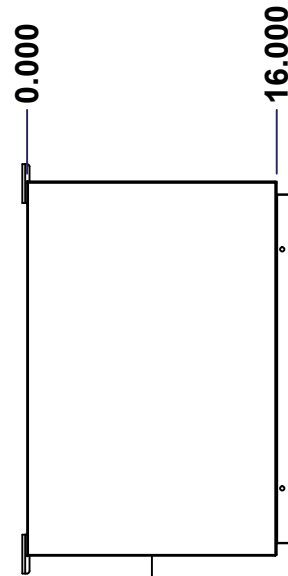
Ce dessin est confidentiel et ne doit pas être reproduit ou utilisé sans le consentement de EXM



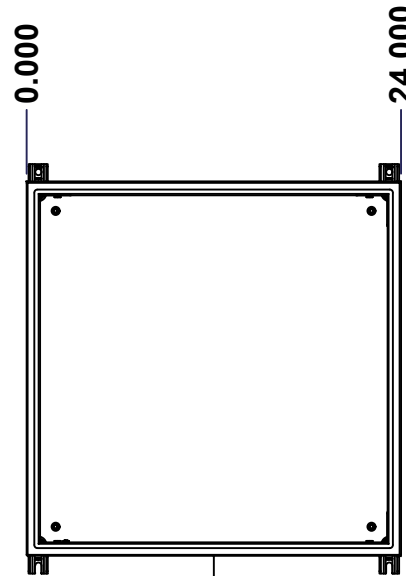
TOP



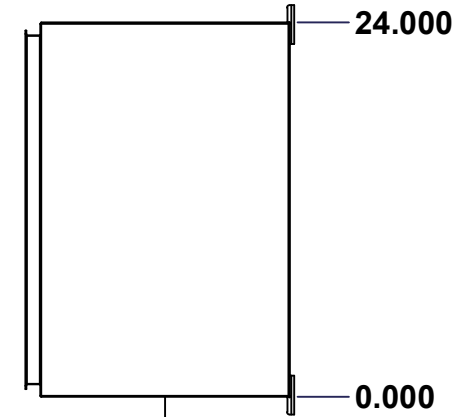
BACK



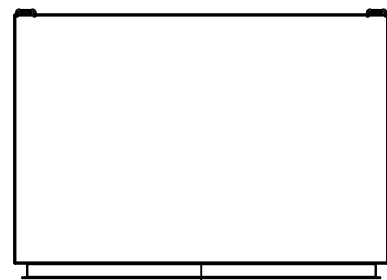
LEFT



FRONT

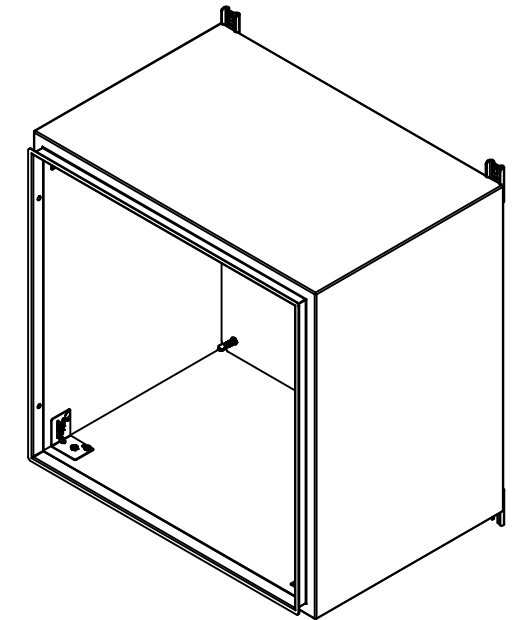


RIGHT




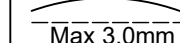
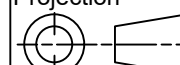
BOTTOM

| No. | Revisions | Date | By/Par |
|-----|-----------|------|--------|
| | | | |
| | | | |
| | | | |
| | | | |



Isometric View



| | | |
|--|-----------------------------------|--|
|  Tél: (450) 979-4373 Fax: (450) 979-4626 www.exmweb.com | | Flatness Aplatissement  Max 3.0mm Projection  |
| Customer Client | Date | |
| Drawn By Dessiné Par | BoxCad: BoxCad | Date 30-May-23 |
| Material Matière | 16 Ga Stainless Steel 304 (1.4mm) | |
| Color Couleur | Unpainted | Finish Fini Brushed |
| Description | Detail Rev. | |
| 5412ESS 24" x 24" x 16" Body | | |
| Part Number Numéro Pièce | Rev. | 3 |
| 5412ESS242416THB | 0 | 16 |

SEE BILL OF MATERIAL ON LAST PAGE

This drawing is confidential and must not be reproduced or used without the consent of EXM

Ce dessin est confidentiel et ne doit pas être reproduit ou utilisé sans le consentement de EXM

| STANDARD FEATURES ARE NOT LISTED IN THIS HOLE TABLE | | | |
|--|--------|--------|--------------------------------|
| HOLE TABLE - TOP VIEW (CUSTOM FEATURE ONLY) | | | |
| CUT-OUT | XDIM | YDIM | DESCRIPTION |
| 1 | 2.000 | 14.500 | INSUL. STUD M6 x 18mm (Inside) |
| 2 | 22.000 | 14.500 | INSUL. STUD M6 x 18mm (Inside) |

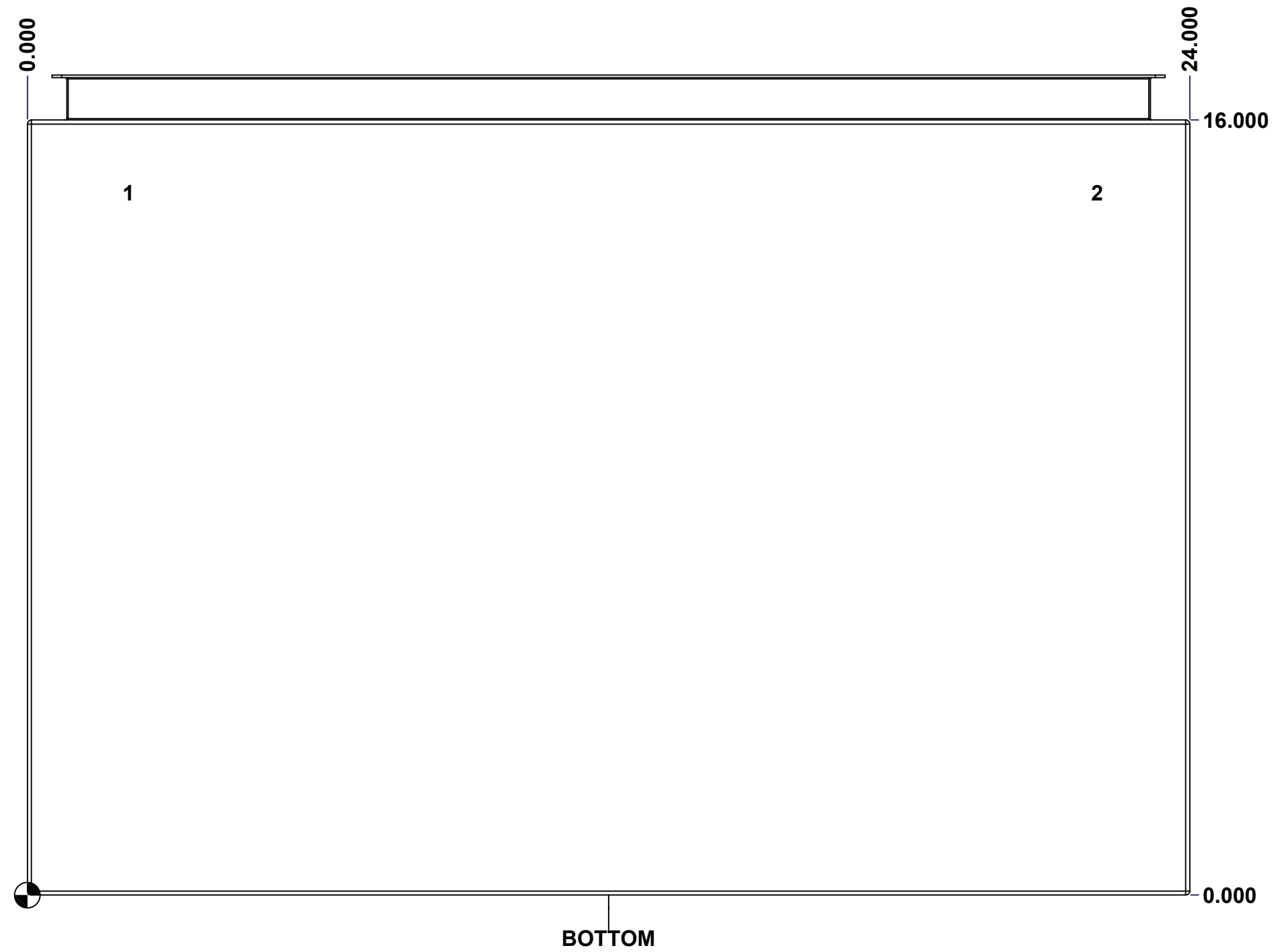


| | | | |
|--|------------------------------|----------|--------|
| | Description | Status | |
| | 5412ESS 24" x 24" x 16" Body | (NULL) | |
| | Part Number Numéro Pièce | Rev. | |
| | 5412ESS242416THB | 0 | 4 / 16 |

This drawing is confidential and must not be reproduced or used without the consent of EXM

Ce dessin est confidentiel et ne doit pas être reproduit ou utilisé sans le consentement de EXM

| STANDARD FEATURES ARE NOT LISTED IN THIS HOLE TABLE | | | |
|--|--------|--------|--------------------------------|
| HOLE TABLE - BOTTOM VIEW (CUSTOM FEATURE ONLY) | | | |
| CUT-OUT | XDIM | YDIM | DESCRIPTION |
| 1 | 2.000 | 14.500 | INSUL. STUD M6 x 18mm (Inside) |
| 2 | 22.000 | 14.500 | INSUL. STUD M6 x 18mm (Inside) |



| | | |
|--|------------------------------|--------------|
| | Description | Status |
| | 5412ESS 24" x 24" x 16" Body | (NULL) |
| | Part Number Numéro Pièce | Rev. |
| | 5412ESS242416THB | 0 / 5 |
| | | 16 |

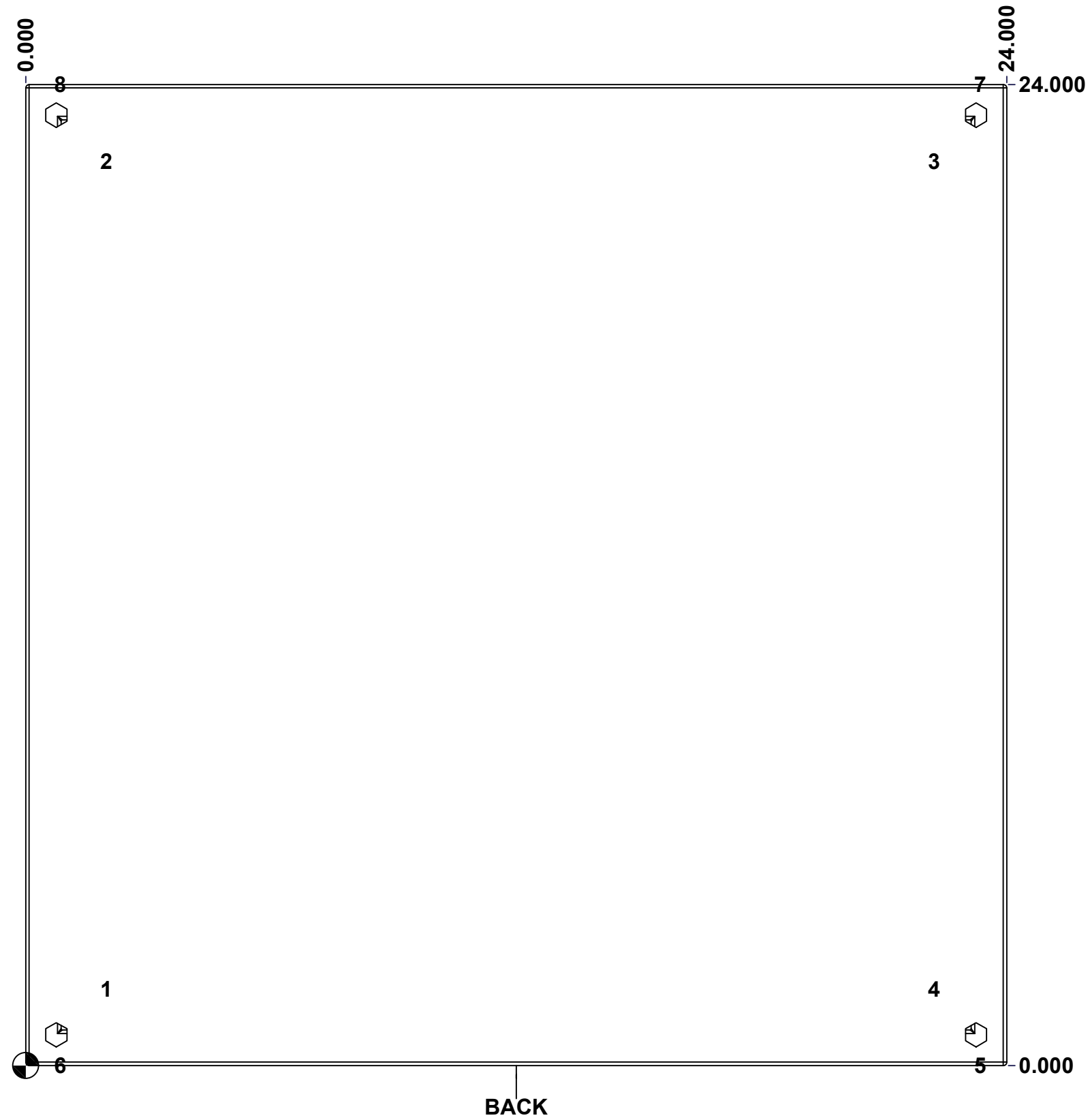
This drawing is confidential and must not be reproduced or used without the consent of EXM

Ce dessin est confidentiel et ne doit pas être reproduit ou utilisé sans le consentement de EXM

STANDARD FEATURES ARE NOT LISTED IN THIS HOLE TABLE

HOLE TABLE - BACK VIEW (CUSTOM FEATURE ONLY)

| CUT-OUT | XDIM | YDIM | DESCRIPTION |
|---------|--------|--------|----------------------------|
| 1 | 1.875 | 1.875 | IP STUD M8 x 35mm (Inside) |
| 2 | 1.875 | 22.125 | IP STUD M8 x 35mm (Inside) |
| 3 | 22.125 | 22.125 | IP STUD M8 x 35mm (Inside) |
| 4 | 22.125 | 1.875 | IP STUD M8 x 35mm (Inside) |
| ----- | | | |
| 5 | 23.250 | 0.000 | FOOT 885 ESMF4_OPEN |
| 6 | 0.750 | 0.000 | FOOT 885 ESMF4_OPEN |
| 7 | 23.250 | 24.000 | FOOT 885 ESMF4_CLOSE |
| 8 | 0.750 | 24.000 | FOOT 885 ESMF4_CLOSE |

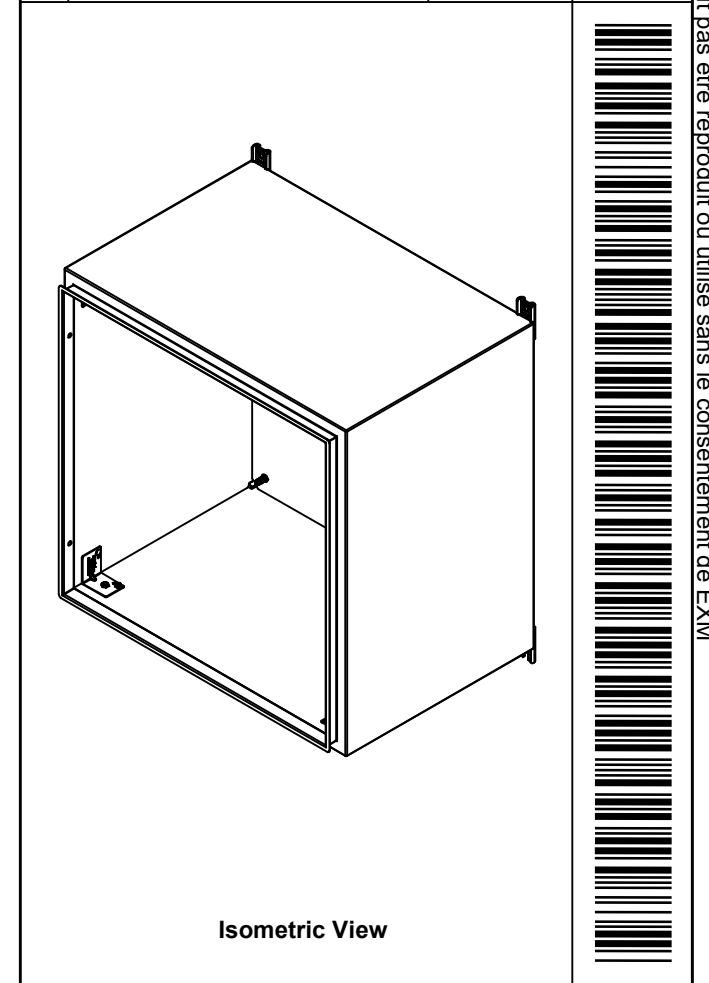


| | | |
|--|------------------------------|--------------|
| | Description | Status |
| | 5412ESS 24" x 24" x 16" Body | (NULL) |
| | Part Number Numéro Pièce | Rev. |
| | 5412ESS242416THB | 0 / 6 |
| | | 16 |

This drawing is confidential and must not be reproduced or used without the consent of EXM

Ce dessin est confidentiel et ne doit pas être reproduit ou utilisé sans le consentement de EXM


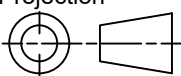
| No. | Revisions | Date | By/Par |
|-----|-----------|------|--------|
| | | | |
| | | | |
| | | | |
| | | | |
| | | | |



Isometric View

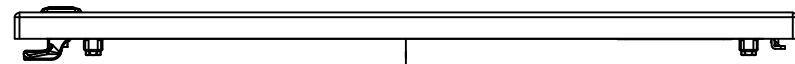
| | | | |
|---|------------------------|---|---|
| 2 | 885ESMF4-FEET | 0 | 885 ESMF4 Stainless Steel Mounting Foot |
| 4 | RIVET_NUT_SS_M10_FH_CE | 0 | Stainless Steel Rivet Nut M10 (Low Profile Close End) |
| 4 | STK-Q-06670 | 2 | M10 x 16mm Stainless Steel Machine Screw |
| 2 | 885ESMF4-FEET-A | 0 | 885 ESMF4 Stainless Steel Mounting Foot (Opened Slot) |
| 1 | STK-K-70554 | 3 | 5412 ESTH Accessory Kit |
| 1 | 5412ESS242416THI-RS | 0 | 5412ESS 24" x 24" Right Insulation |
| 1 | 5412ESS242416THI-LS | 0 | 5412ESS 24" x 24" Left Insulation |
| 1 | 5412ESS242416THI-BT | 0 | 5412ESS 24" x 24" Top and Bottom Insulation |
| 1 | 5412ESS242416THI-TP | 0 | 5412ESS 24" x 24" Top and Bottom Insulation |
| 1 | 5412ESS242416THI-B | 0 | 5412ESS 24" x 24" Back Insulation |
| 4 | STK-Q-16070 | 1 | Stud M6 x 18mm Stainless steel |
| 4 | STK-Q-16020 | 1 | Stud M8 x 35mm Stainless Steel |
| 1 | 5412ESS242416THB-P | 0 | 5412ESS 24" x 24" x 16" Body Part |

| Qty | Part Number | Rev | Description |
|------------|-------------|-----|-------------|
| Parts List | | | |

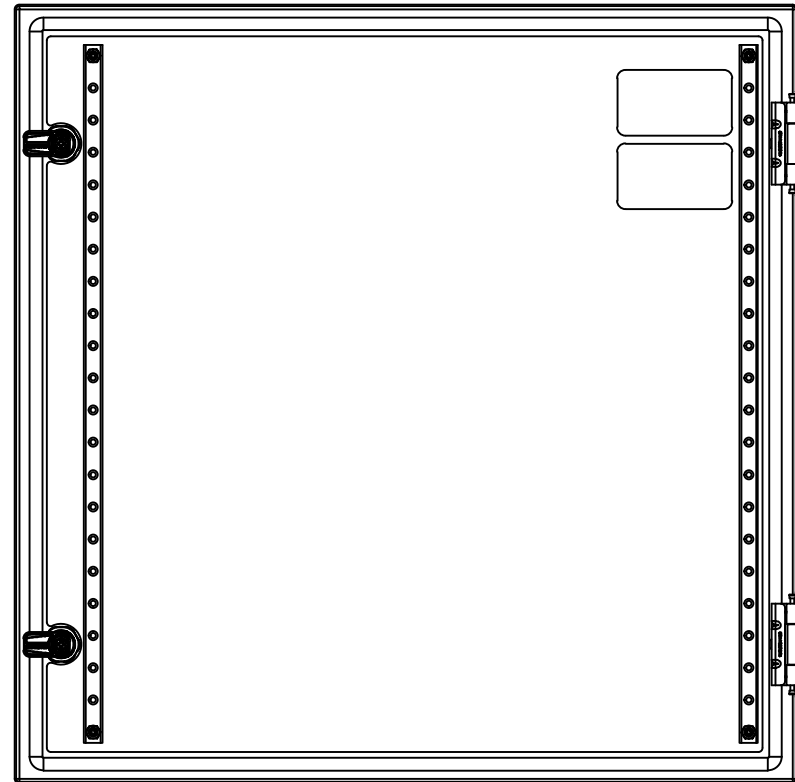
| | | |
|--|-----------------------------------|---|
|  Tél: (450) 979-4373 Fax: (450) 979-4626 www.exmweb.com | Flatness Aplatissement | Max 3.0mm |
| | Projection |  |
| Customer Client | Date | |
| Drawn By Dessiné Par | BoxCad: BoxCad | Date 30-May-23 |
| Material Matière | 16 Ga Stainless Steel 304 (1.4mm) | |
| Color Couleur | Unpainted | Finish Fini Brushed |
| Description | Detail Rev. | |
| 5412ESS 24" x 24" x 16" Body | | |
| Part Number Numéro Pièce | Rev. | 7 |
| 5412ESS242416THB | 0 | 16 |

This drawing is confidential and must not be reproduced or used without the consent of EXM

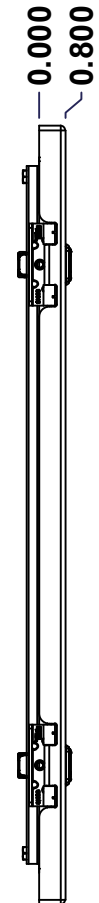
Ce dessin est confidentiel et ne doit pas être reproduit ou utilisé sans le consentement de EXM



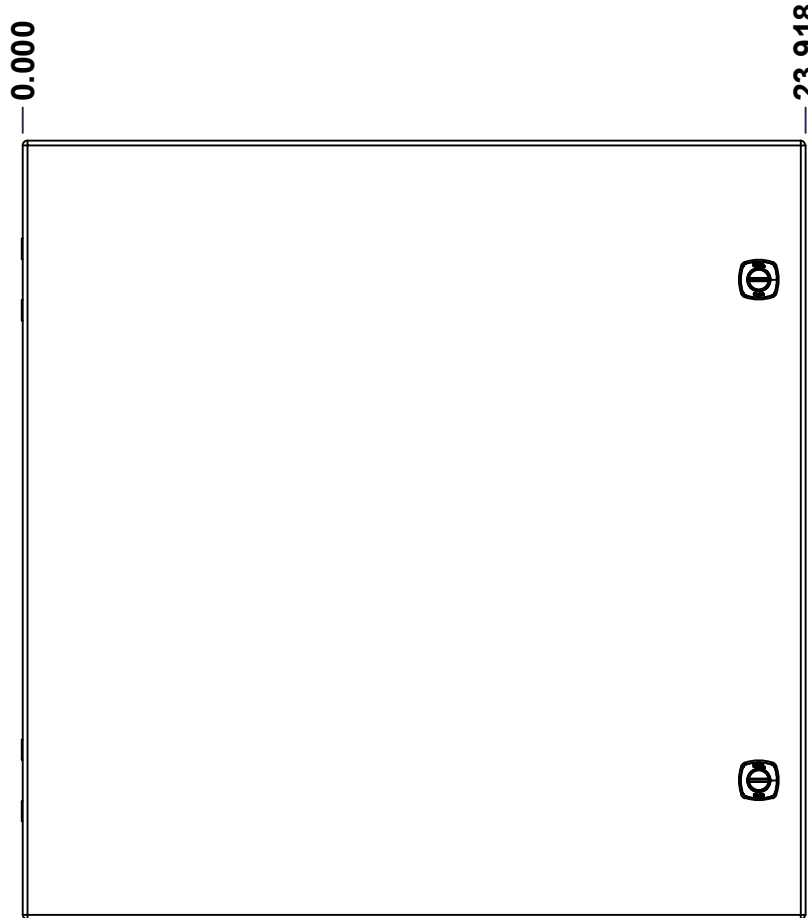
TOP



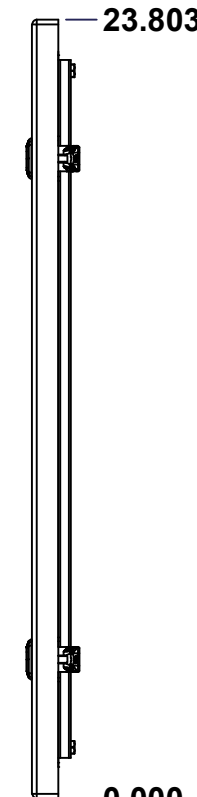
BACK



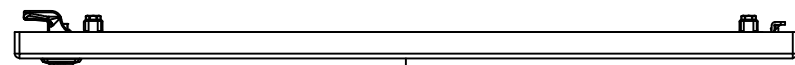
LEFT



FRONT

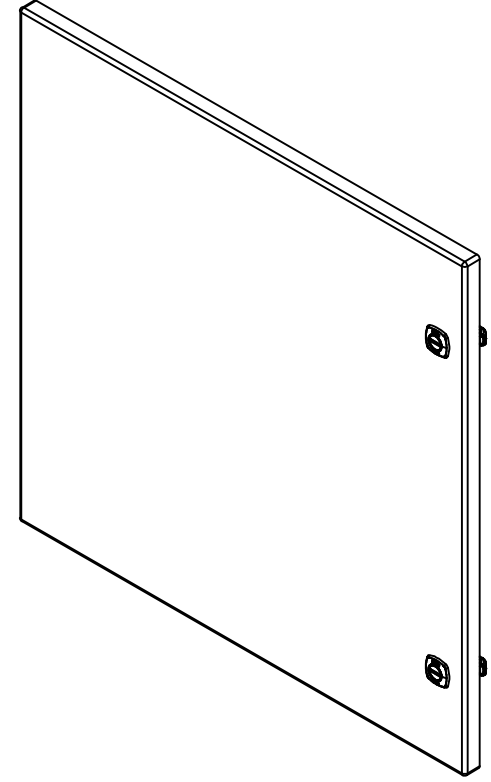


RIGHT



BOTTOM

| No. | Revisions | Date | By/Par |
|-----|-----------|------|--------|
| | | | |
| | | | |
| | | | |
| | | | |



Isometric View



Tél: (450) 979-4373
 Fax: (450) 979-4626
www.exmweb.com

Flatness
Aplatissement
Max 3.0mm
Projection

| | |
|---|------------------------|
| Customer Client | Date |
| Drawn By / Dessiné Par: BoxCad: BoxCad | Date: 30-May-23 |
| Material / Matière: 16 Ga Stainless Steel 304 (1.4mm) | |
| Color / Couleur: Unpainted | Finish / Fini: Brushed |
| Description: 5412ESS 24" x 24" Cover | Detail Rev. |
| Part Number / Numéro Pièce: 5412ESS242416THC | Rev. 8 |

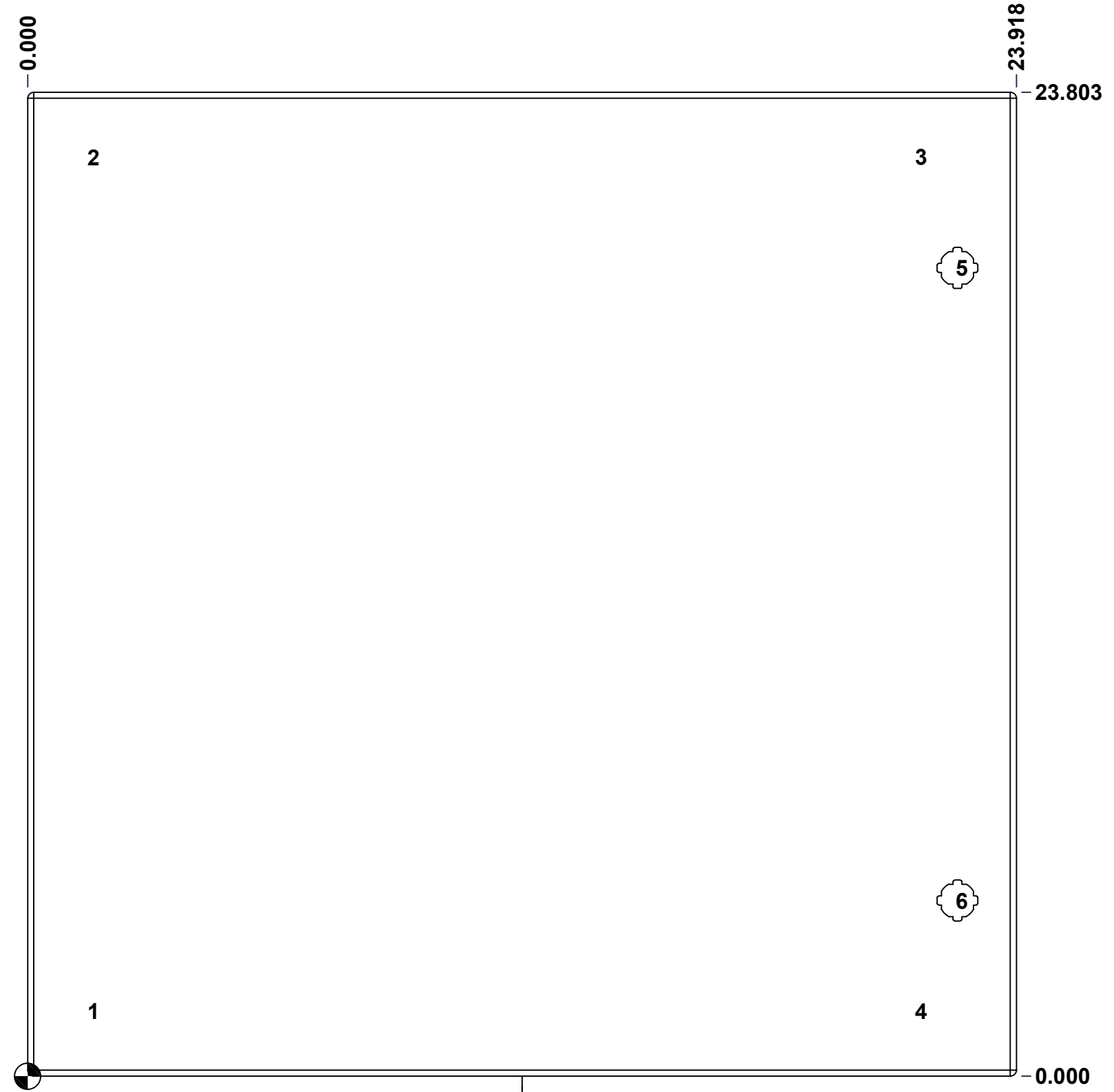
SEE BILL OF MATERIAL ON LAST PAGE

Rev. 0

This drawing is confidential and must not be reproduced or used without the consent of EXM

Ce dessin est confidentiel et ne doit pas être reproduit ou utilisé sans le consentement de EXM

| STANDARD FEATURES ARE NOT LISTED IN THIS HOLE TABLE | | | |
|---|--------|--------|-------------------------|
| HOLE TABLE - FRONT VIEW (CUSTOM FEATURE ONLY) | | | |
| CUT-OUT | XDIM | YDIM | DESCRIPTION |
| 1 | 1.486 | 1.567 | STUD M6 x 18mm (Inside) |
| 2 | 1.486 | 22.236 | STUD M6 x 18mm (Inside) |
| 3 | 21.517 | 22.236 | STUD M6 x 18mm (Inside) |
| 4 | 21.517 | 1.567 | STUD M6 x 18mm (Inside) |
| ----- | | | |
| 5 | 22.494 | 19.553 | 880 SCQ4-SLSS6 |
| 6 | 22.494 | 4.250 | 880 SCQ4-SLSS6 |



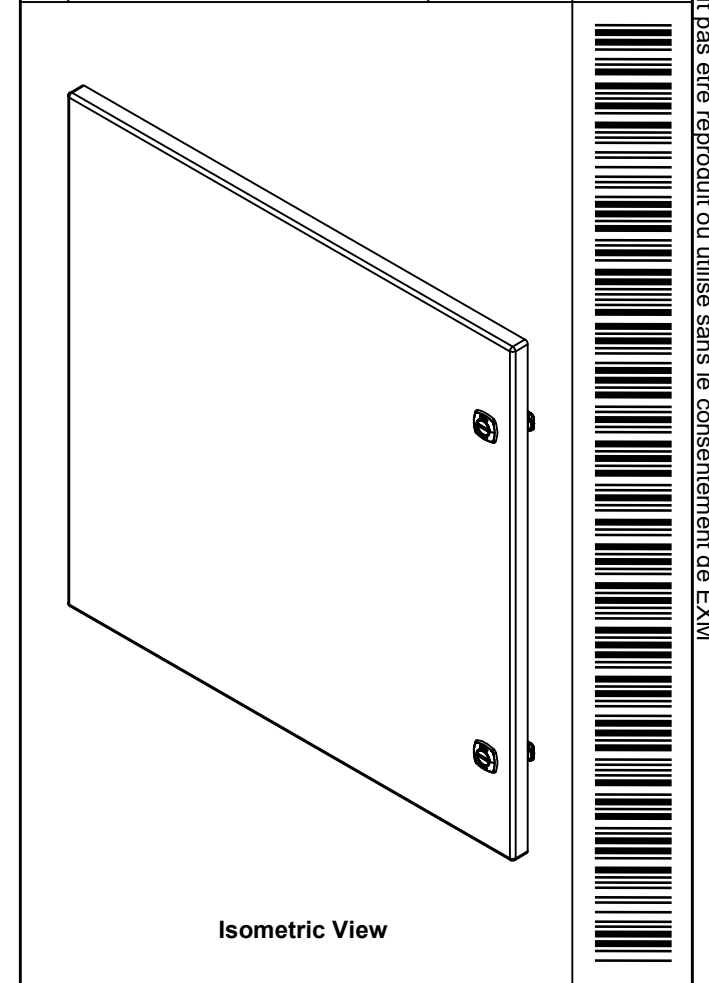
FRONT

| | | |
|--|-----------------------------|----------|
| | Description | Status |
| | 5412ESS 24" x 24" Cover | (NULL) |
| | Part Number Numéro Pièce | Rev. |
| | 5412ESS242416THC | 0 |
| | | 9 |
| | | 16 |

This drawing is confidential and must not be reproduced or used without the consent of EXM

Ce dessin est confidentiel et ne doit pas être reproduit ou utilisé sans le consentement de EXM

| No. | Revisions | Date | By/Par |
|-----|-----------|------|--------|
| | | | |
| | | | |
| | | | |
| | | | |
| | | | |



Isometric View

| | |
|--|---|
|  Tél: (450) 979-4373 Fax: (450) 979-4626 www.exmweb.com | Flatness Aplatissement |
| | Max 3.0mm |
| | Projection |
| |  |

| | |
|-------------------------|----------------|
| Customer Client | Date |
| Drawn By Dessiné Par | Date 30-May-23 |

| | |
|---------------------|-----------------------------------|
| Material Matière | 16 Ga Stainless Steel 304 (1.4mm) |
|---------------------|-----------------------------------|

| | | | |
|------------------|-----------|----------------|---------|
| Color Couleur | Unpainted | Finish Fini | Brushed |
|------------------|-----------|----------------|---------|

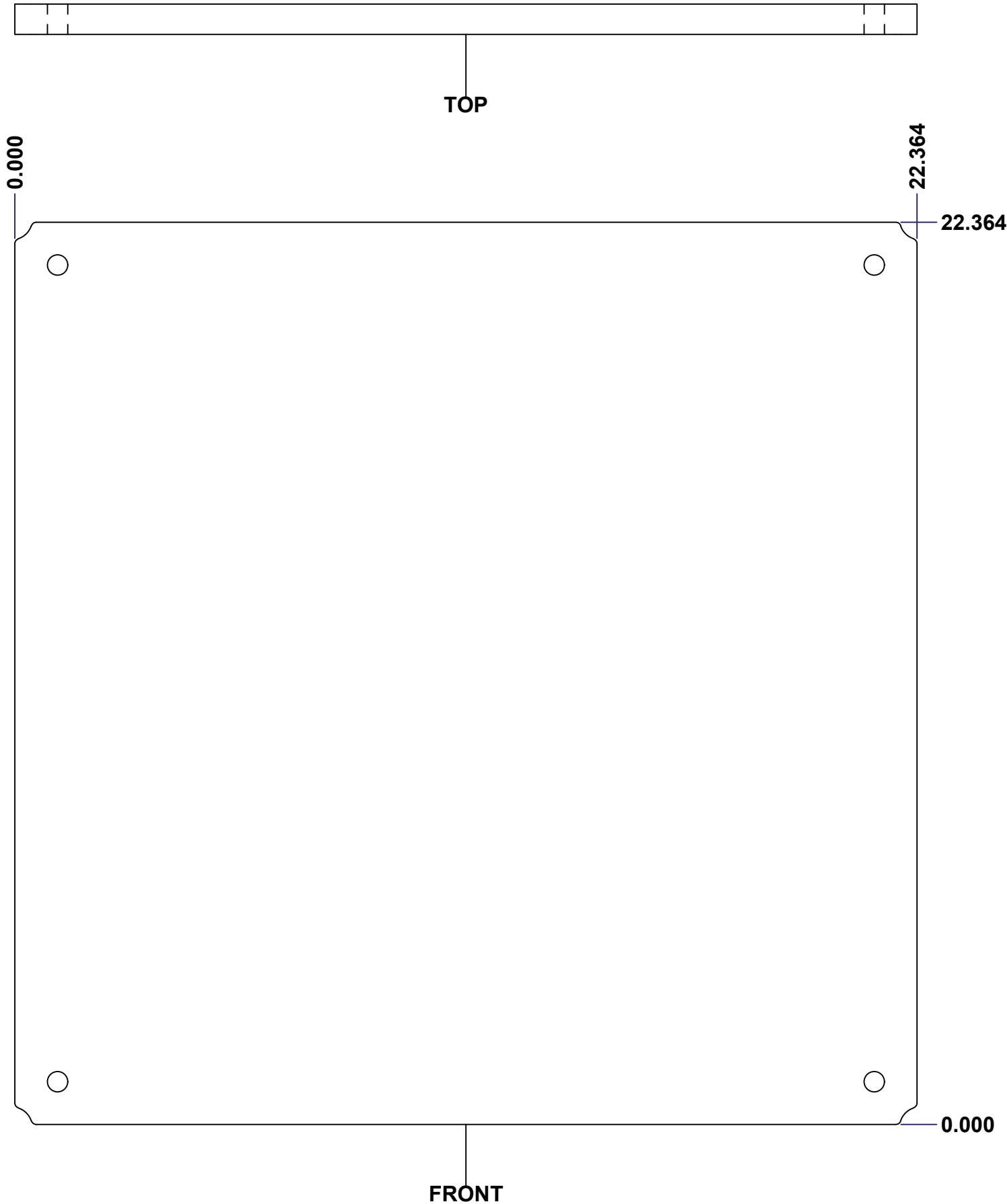
| | |
|-------------------------|-------------|
| Description | Detail Rev. |
| 5412ESS 24" x 24" Cover | |

| | | |
|-----------------------------|----------|----|
| Part Number Numéro Pièce | Rev. | 10 |
| 5412ESS242416THC | 0 | 16 |

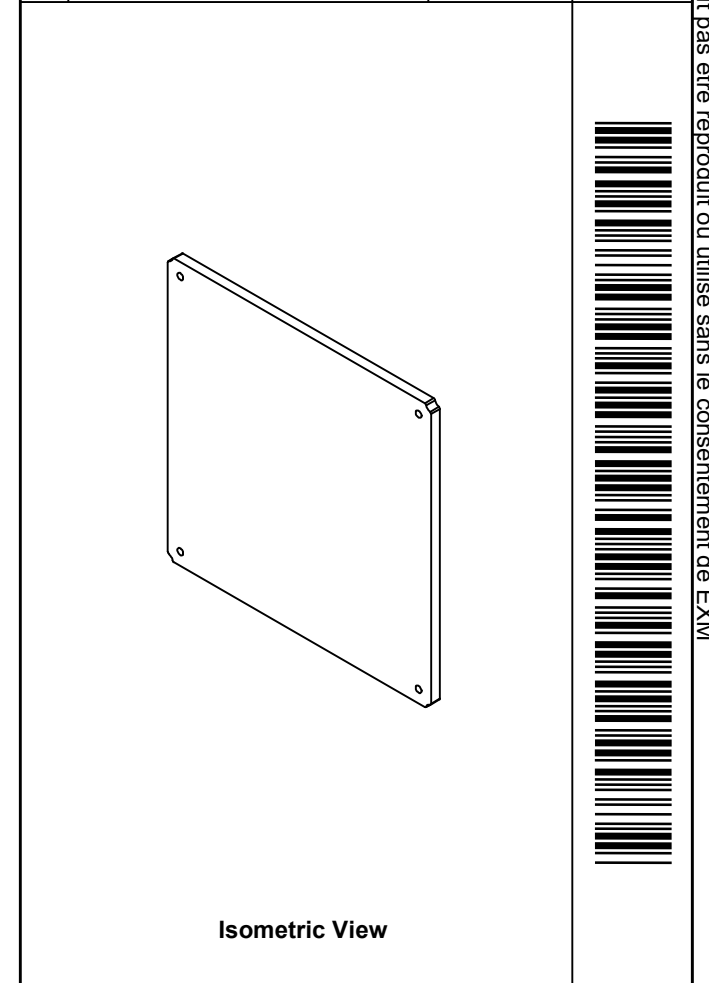
| QTY | Part Number | Rev | Description |
|------------|--------------------|-----|--|
| 2 | STK-S-00100 | 0 | 3.5" x 2" Silver Milar Flexcon Sticker |
| 4 | STK-Q-07250 | 2 | M6 x 16mm Collar Nut |
| 2 | STK-Q-46020-24 | 5 | 5412 ES Vertical Door Stiffener 24" |
| 1 | 5412ESS242416THI-C | 0 | 5412ESS 24" x 24" Cover Insulation |
| 4 | STK-Q-16070 | 1 | Stud M6 x 18mm Stainless steel |
| 1 | 5412ESS242416THG | 0 | 5412ESS 24" x 24" Cover Gasket Part |
| 1 | 5412ESS242416THC-P | 0 | 5412ESS 24" x 24" Cover Part |
| 2 | 880 SCQ4-SLSS6 | 7 | 5412 ESS 1/4 Turn Lock |
| 2 | STK-A-33016 | 0 | 5412 ESS Bended Hinge (Body Part) |
| Parts List | | | |


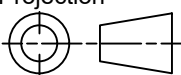
This drawing is confidential and must not be reproduced or used without the consent of EXM

Ce dessin est confidentiel et ne doit pas être reproduit ou utilisé sans le consentement de EXM



| No. | Revisions | Date | By/Par |
|-----|-----------|------|--------|
| | | | |
| | | | |
| | | | |
| | | | |
| | | | |

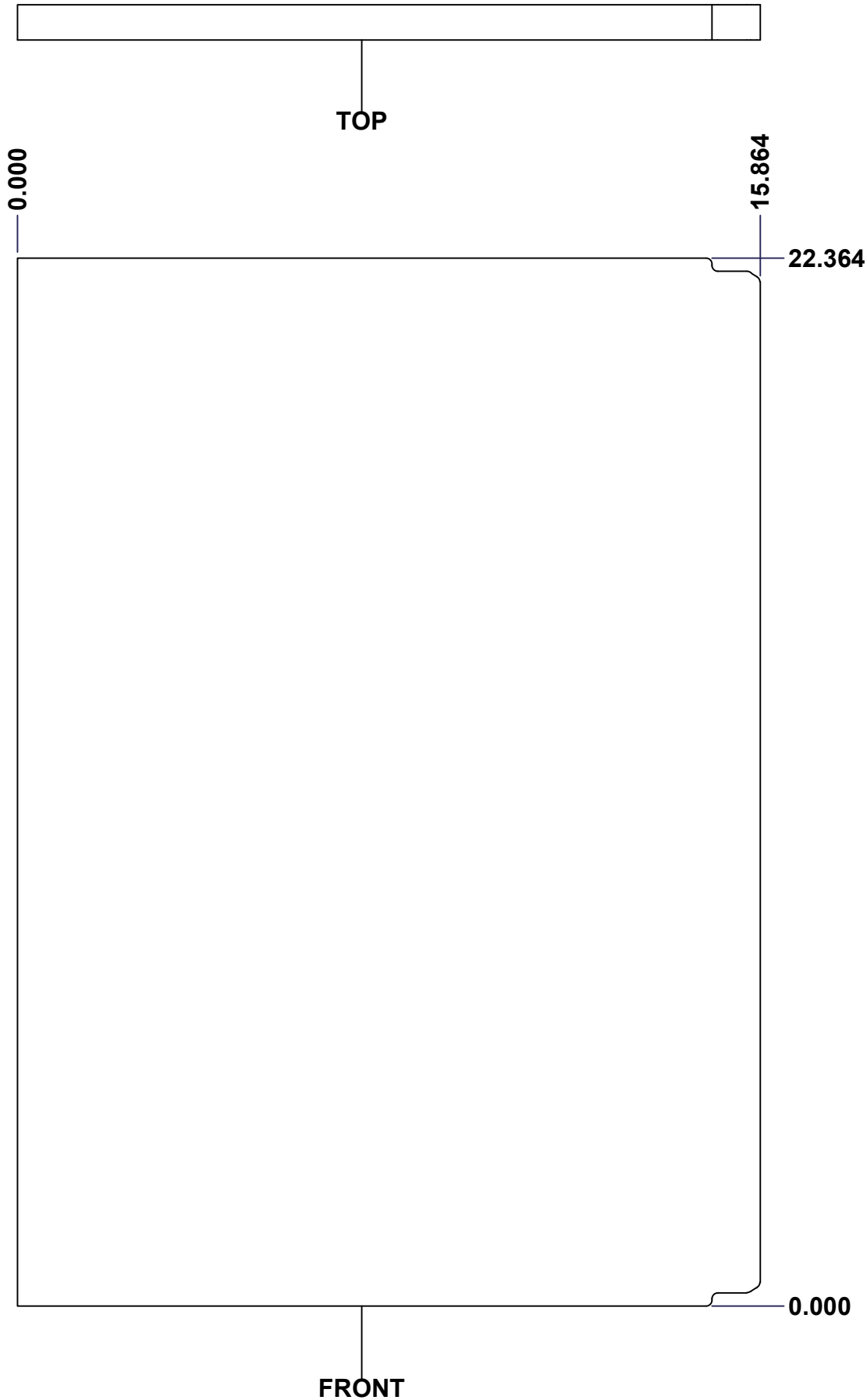


| | | |
|--|---------------------------|---------------------------|
|  Tél: (450) 979-4373 Fax: (450) 979-4626 www.exmweb.com | | Flatness Aplatissement |
| | | Max 3.0mm |
| Projection  | | Date |
| Customer Client | BoxCad: Patrick Deschenes | Date |
| Drawn By Dessiné Par | BoxCad: Patrick Deschenes | Date |
| Material Matière | Polyisocyanurate | |
| Color Couleur | Aluminum | Finish Fini |
| Description | | Detail Rev. |
| 5412ESS 24" x 24" Back Insulation | | |
| Part Number Numéro Pièce | Rev. | |
| 5412ESS242416THI-B | 0 | 11 / 16 |

SEE BILL OF MATERIAL ON LAST PAGE

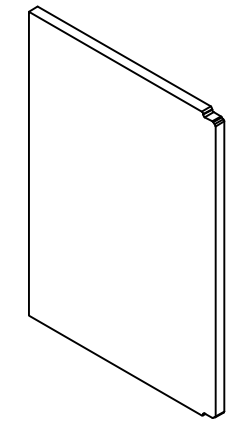
This drawing is confidential and must not be reproduced or used without the consent of EXM

Ce dessin est confidentiel et ne doit pas être reproduit ou utilisé sans le consentement de EXM




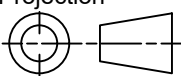
SEE BILL OF MATERIAL ON LAST PAGE

| No. | Revisions | Date | By/Par |
|-----|-----------|------|--------|
| | | | |
| | | | |
| | | | |
| | | | |
| | | | |



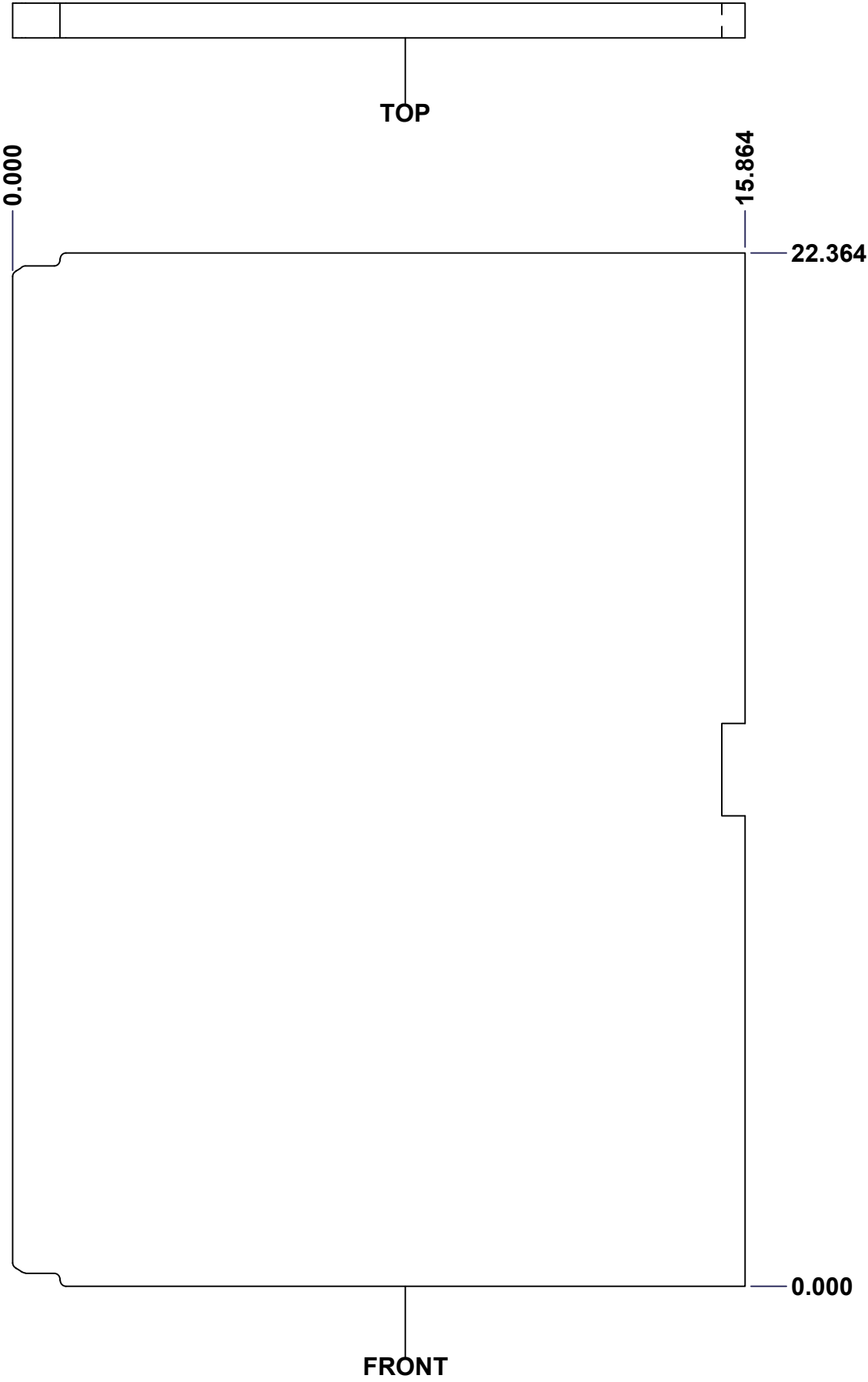
Isometric View



| | | |
|--|--------------------|---|
|  Tél: (450) 979-4373 Fax: (450) 979-4626 www.exmweb.com | | Flatness Aplatissement Max 3.0mm Projection  |
| Customer Client | Date | |
| Drawn By / Dessiné Par: BoxCad: Patrick Deschenes | Date: 23-Jan-07 | |
| Material / Matière: Polyisocyanurate | | |
| Color / Couleur: Aluminum | Finish / Fini: N/A | |
| Description: 5412ESS 24" x 24" Left Insulation | | Detail Rev. |
| Part Number / Numéro Pièce: 5412ESS242416THI-LS | Rev.: | 12 / 16 |
| | | 0 |

This drawing is confidential and must not be reproduced or used without the consent of EXM

Ce dessin est confidentiel et ne doit pas être reproduit ou utilisé sans le consentement de EXM



| No. | Revisions | Date | By/Par |
|-----|-----------|------|--------|
| | | | |
| | | | |
| | | | |
| | | | |
| | | | |

Isometric View

| | | |
|--|---------------------------|--|
| Tél: (450) 979-4373 Fax: (450) 979-4626 www.exmweb.com | | Flatness Aplatissement Max 3.0mm |
| Projection | | Date 23-Jan-07 |
| Customer Client | Date | |
| Drawn By Dessiné Par | BoxCad: Patrick Deschenes | Date 23-Jan-07 |
| Material Matière | Polyisocyanurate | |
| Color Couleur | Aluminum | Finish Fini N/A |
| Description | Detail Rev. | |
| 5412ESS 24" x 24" Right Insulation | | |
| Part Number Numéro Pièce | Rev. | 13 |
| 5412ESS242416THI-RS | 0 | 16 |

SEE BILL OF MATERIAL ON LAST PAGE

This drawing is confidential and must not be reproduced or used without the consent of EXM

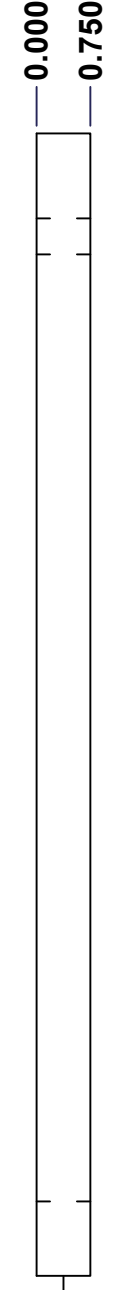
Ce dessin est confidentiel et ne doit pas être reproduit ou utilisé sans le consentement de EXM



TOP



FRONT



RIGHT

| No. | Revisions | Date | By/Par |
|-----|-----------|------|--------|
| | | | |
| | | | |
| | | | |
| | | | |
| | | | |

Isometric View

| | | |
|--|--------------------|---------------------------|
| Tél: (450) 979-4373 Fax: (450) 979-4626 www.exmweb.com | | Flatness Aplatissement |
| | | Max 3.0mm |
| Customer Client | | Date |
| Drawn By Dessiné Par BoxCad: Patrick Deschenes | | Date 23-Jan-07 |
| Material Matière Polyisocyanurate | | |
| Color Couleur Aluminum | Finish Fini N/A | |
| Description 5412ESS 24" x 24" Top and Bottom Insulation | | Detail Rev. |
| Part Number Numéro Pièce 5412ESS242416THI-TP | | Rev. 14 0 |

SEE BILL OF MATERIAL ON LAST PAGE

This drawing is confidential and must not be reproduced or used without the consent of EXM

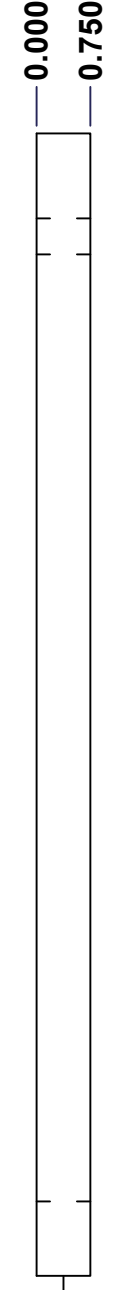
Ce dessin est confidentiel et ne doit pas être reproduit ou utilisé sans le consentement de EXM



TOP



FRONT



RIGHT

| No. | Revisions | Date | By/Par |
|-----|-----------|------|--------|
| | | | |
| | | | |
| | | | |
| | | | |
| | | | |

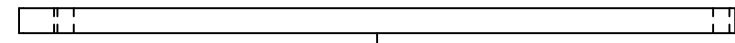
Isometric View

| | | |
|--|--------------------|---------------------------|
| Tél: (450) 979-4373 Fax: (450) 979-4626 www.exmweb.com | | Flatness Aplatissement |
| | | Max 3.0mm |
| Customer Client | | Date |
| Drawn By Dessiné Par BoxCad: Patrick Deschenes | | Date 23-Jan-07 |
| Material Matière Polyisocyanurate | | |
| Color Couleur Aluminum | Finish Fini N/A | |
| Description 5412ESS 24" x 24" Top and Bottom Insulation | | Detail Rev. |
| Part Number Numéro Pièce 5412ESS242416THI-BT | | Rev. 15 0 |

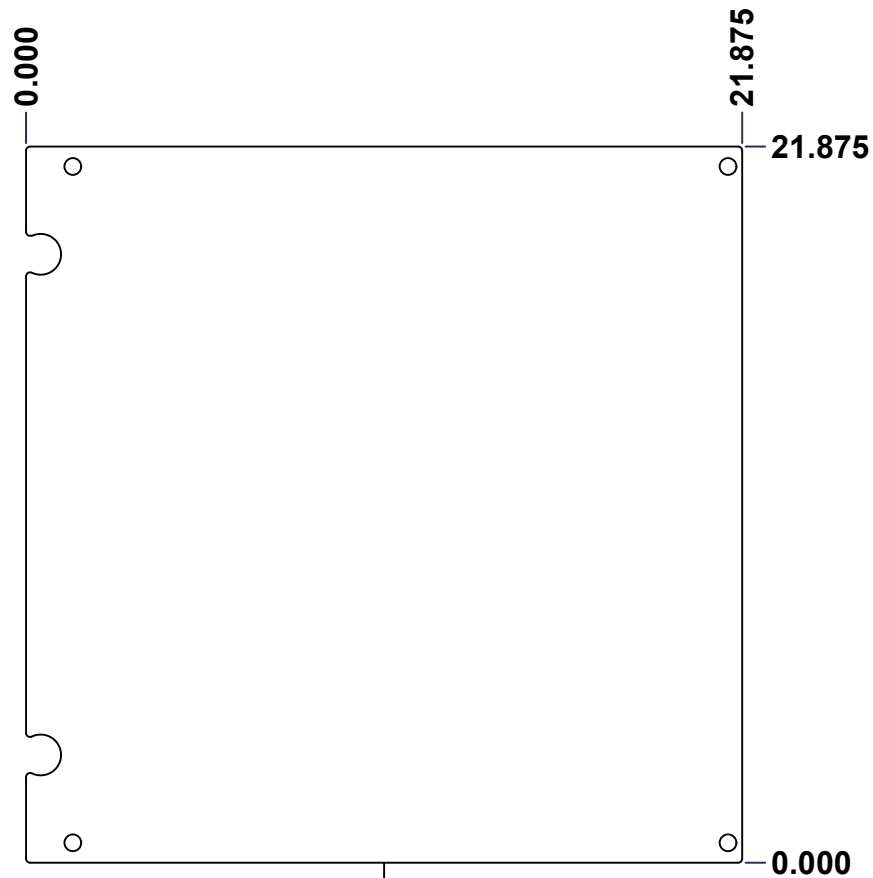
SEE BILL OF MATERIAL ON LAST PAGE

This drawing is confidential and must not be reproduced or used without the consent of EXM

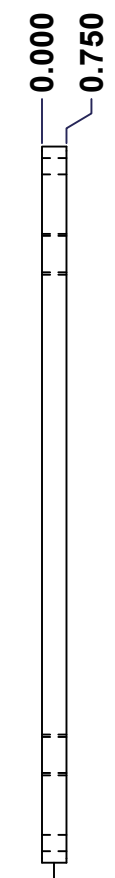
Ce dessin est confidentiel et ne doit pas être reproduit ou utilisé sans le consentement de EXM



TOP

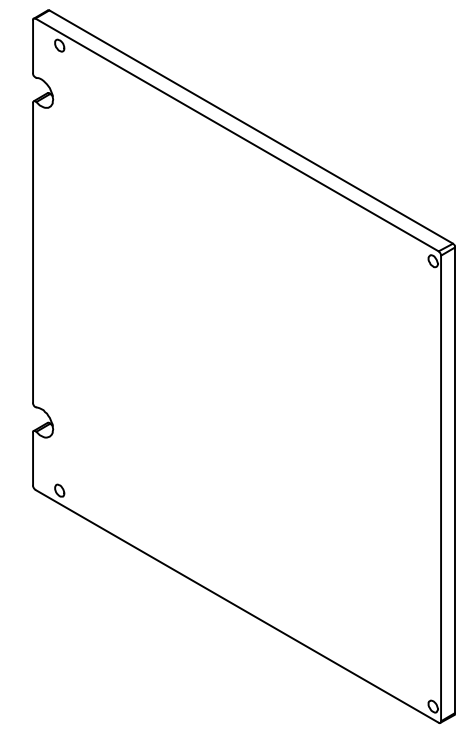


FRONT



RIGHT

| No. | Revisions | Date | By/Par |
|-----|-----------|------|--------|
| | | | |
| | | | |
| | | | |
| | | | |
| | | | |



Isometric View



Tél: (450) 979-4373
 Fax: (450) 979-4626
www.exmweb.com

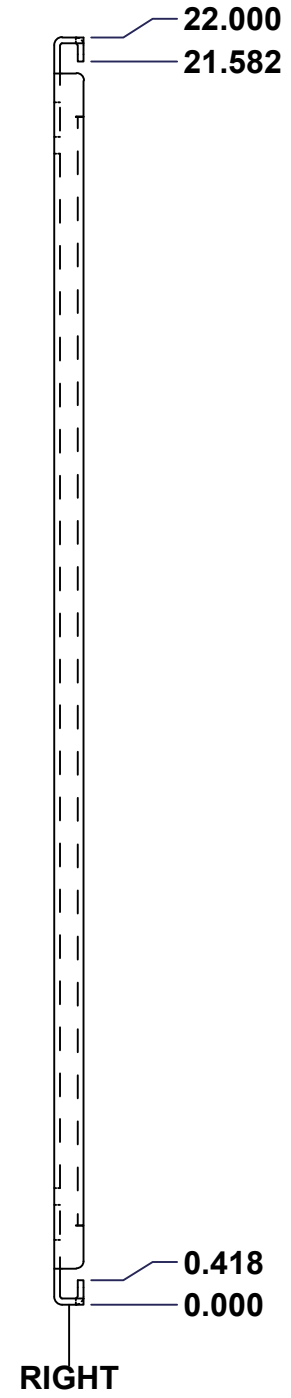
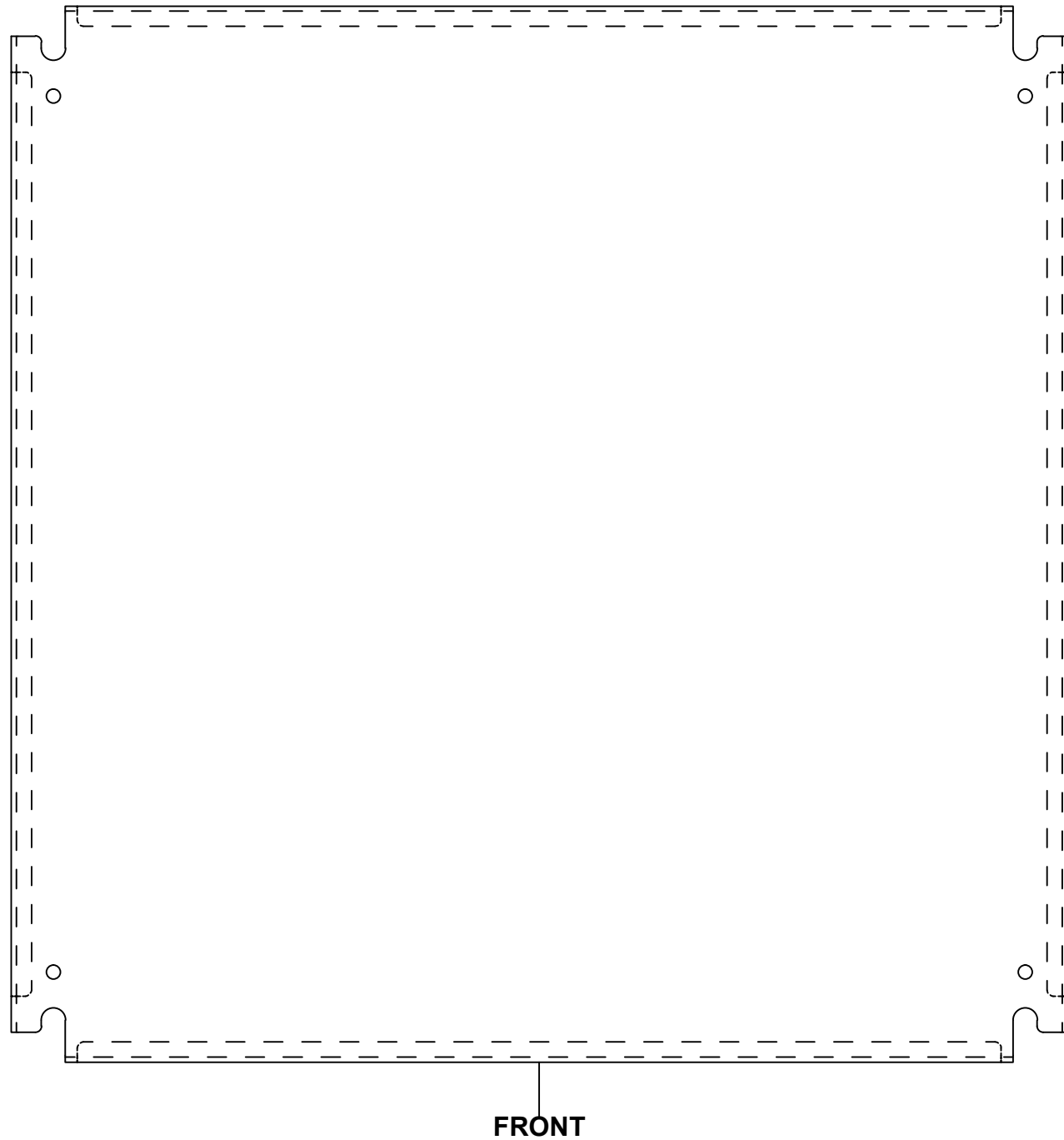
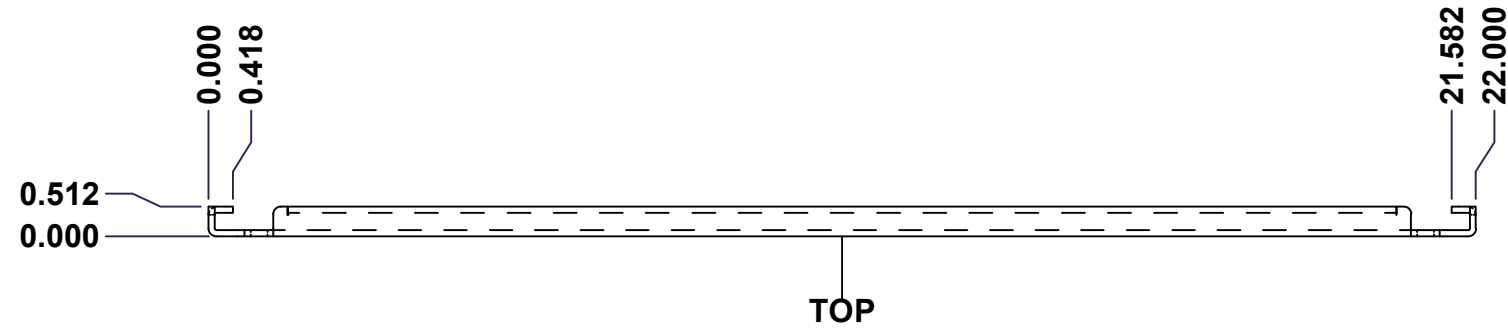
Flatness
Aplatissement
Max 3.0mm
Projection

| | |
|---|--------------------|
| Customer Client | Date |
| Drawn By / Dessiné Par: BoxCad: Patrick Deschenes | Date: 23-Jan-07 |
| Material / Matière: Polyisocyanurate | |
| Color / Couleur: Aluminum | Finish / Fini: N/A |
| Description: 5412ESS 24" x 24" Cover Insulation | Detail Rev. |
| Part Number / Numéro Pièce: 5412ESS242416THI-C | Rev. 0 |

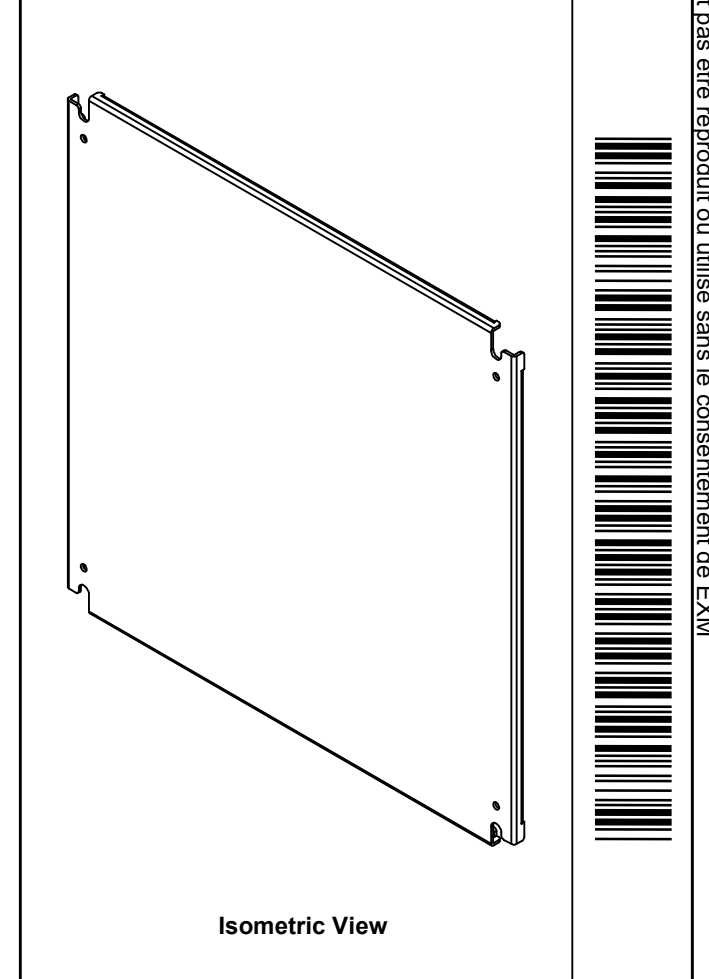
SEE BILL OF MATERIAL ON LAST PAGE


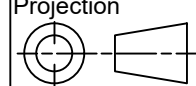
This drawing is confidential and must not be reproduced or used without the consent of EXM

Ce dessin est confidentiel et ne doit pas être reproduit ou utilisé sans le consentement de EXM



| No. | Revisions | Date | By/Par |
|-----|-----------|------|--------|
| | | | |
| | | | |
| | | | |
| | | | |
| | | | |



| | | |
|--|---------------|---|
|  Tél: (450) 979-4373 Fax: (450) 979-4626 www.exmweb.com | | Flatness Aplatissement Max 3.0mm Projection  |
| Customer Client | Date | |
| Drawn By Dessiné Par | BoxCad | Date 23-Jan-07 |
| Material Matière | See Part List | |
| Color Couleur | See Part List | Finish Fini See Part List |
| Description | | Detail Rev. |
| 881 SP - Inner Panel | | |
| Part Number Numéro Pièce | Rev. 0 | 1 2 |
| 881 SP2424G | | |

| Qty | Part Number | Rev | Description | Material | Color | Finish |
|-----|---------------|-----|---------------------------|------------------|-----------|------------|
| 1 | 881 SP2424G-P | 0 | 881 SP - Inner Panel Part | 12 Ga Galvanized | Unpainted | Galvanized |

Parts List

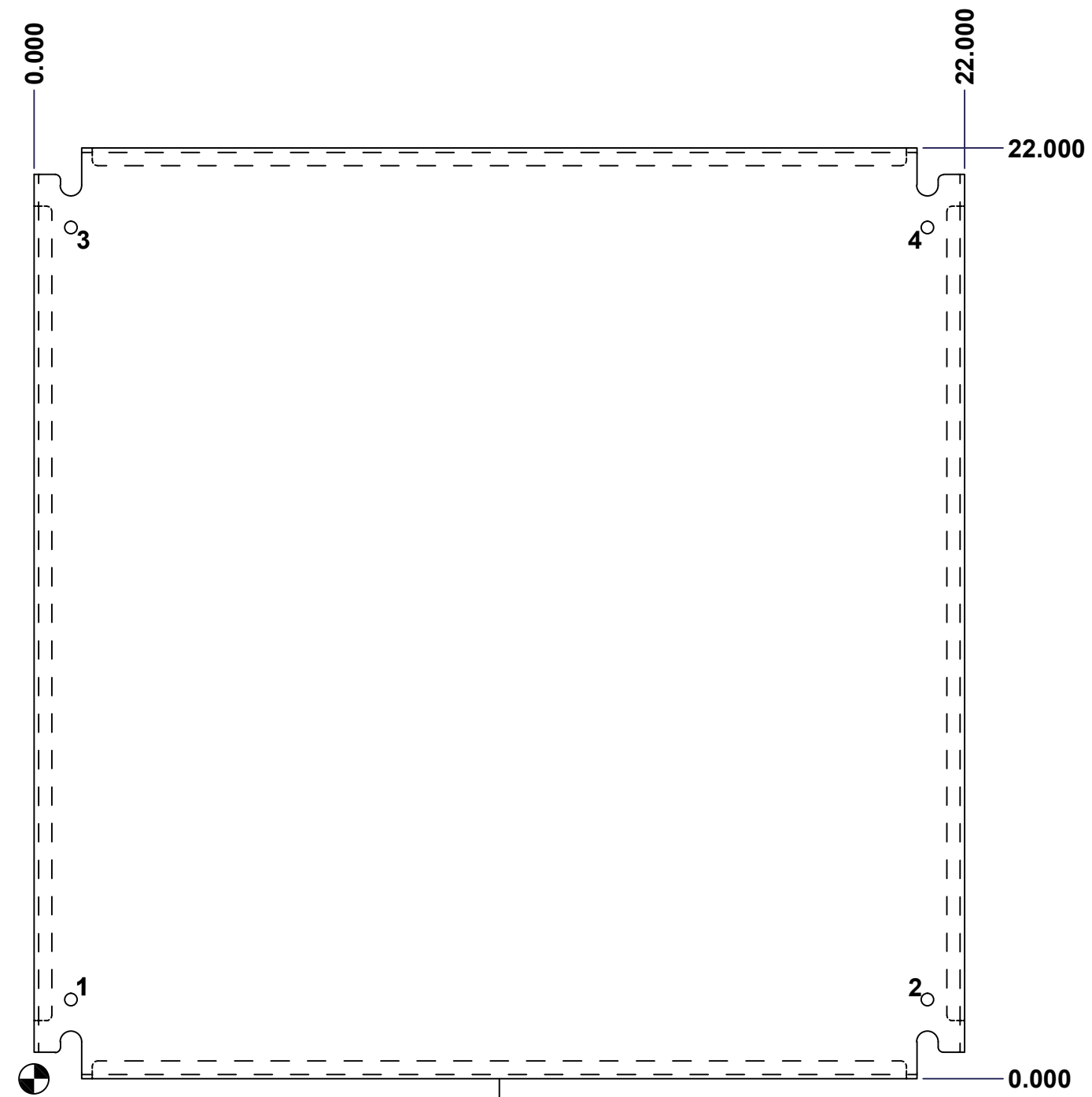
This drawing is confidential and must not be reproduced or used without the consent of EXM

Ce dessin est confidentiel et ne doit pas être reproduit ou utilisé sans le consentement de EXM

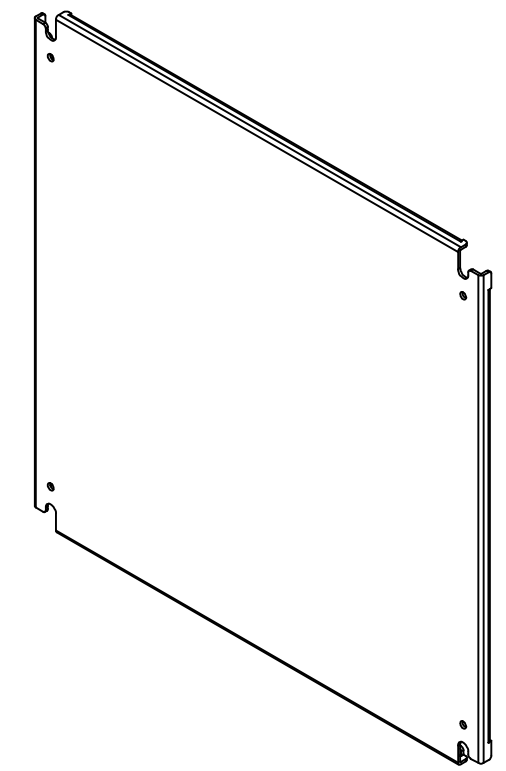
| Table 1 | | | FRONT VIEW |
|---------|--------|--------|--------------------------|
| CUT-OUT | XDIM | YDIM | DESCRIPTION |
| 1 | 0.875 | 1.875 | GROUND HOLE (RND Ø0.290) |
| 2 | 21.125 | 1.875 | GROUND HOLE (RND Ø0.290) |
| 3 | 0.875 | 20.125 | GROUND HOLE (RND Ø0.290) |
| 4 | 21.125 | 20.125 | GROUND HOLE (RND Ø0.290) |

All knockouts are actual size / Les disques défonçables sont grandeur réel

| No. | Revisions | Date | By/Par |
|-----|-----------|------|--------|
| | | | |
| | | | |
| | | | |
| | | | |
| | | | |


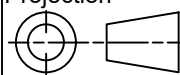


FRONT



Isometric View



| | |
|--|---|
|  Tél: (450) 979-4373 Fax: (450) 979-4626 www.exmweb.com | Flatness Aplatissement Max 3.0mm |
| | Projection  |
| Customer Client | Date |
| Drawn By Dessiné Par BoxCad | Date 23-Jan-07 |
| Material Matière | See Part List |
| Color Couleur | See Part List |
| Finish Fini | See Part List |
| Description | Detail Rev. |
| 881 SP - Inner Panel | |
| Part Number Numéro Pièce | Rev. |
| 881 SP2424G | 0 |
| | 2 |
| | 2 |