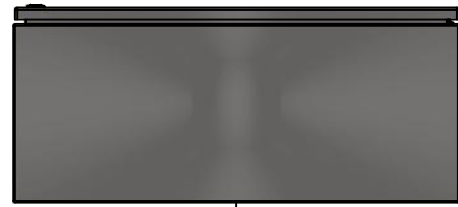
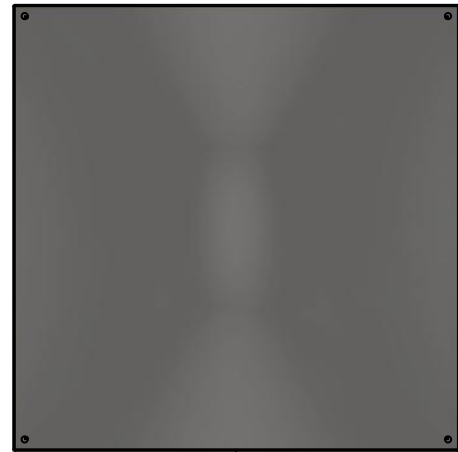


This drawing is confidential and must not be reproduced or used without the consent of EXM

Ce dessin est confidentiel et ne doit pas être reproduit ou utilisé sans le consentement de EXM



TOP



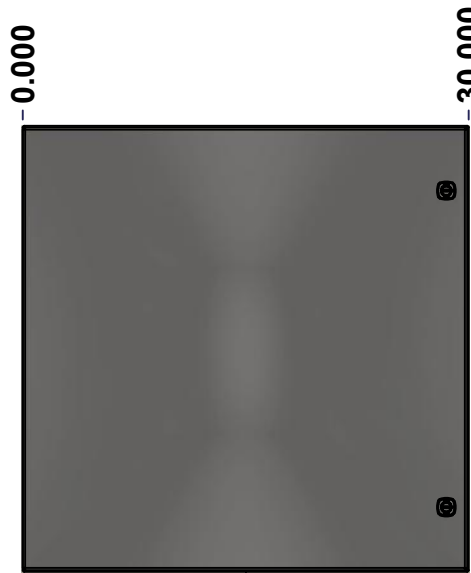
BACK



BOTTOM



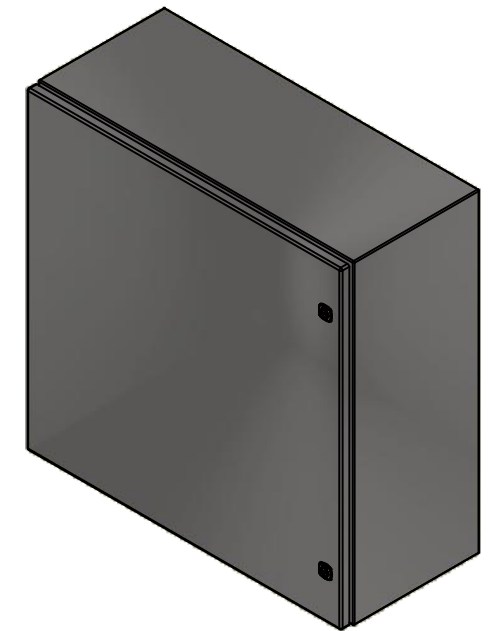
LEFT



FRONT



RIGHT




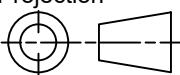
Isometric View



**GRAIN DIRECTION:  
TOP/BOTTOM: HORIZONTAL  
LEFT/RIGHT/BACK/FRONT: VERTICAL**

SEE BILL OF MATERIAL ON LAST PAGE

| No. | Revisions | Date | By/Par |
|-----|-----------|------|--------|
|     |           |      |        |
|     |           |      |        |
|     |           |      |        |
|     |           |      |        |
|     |           |      |        |

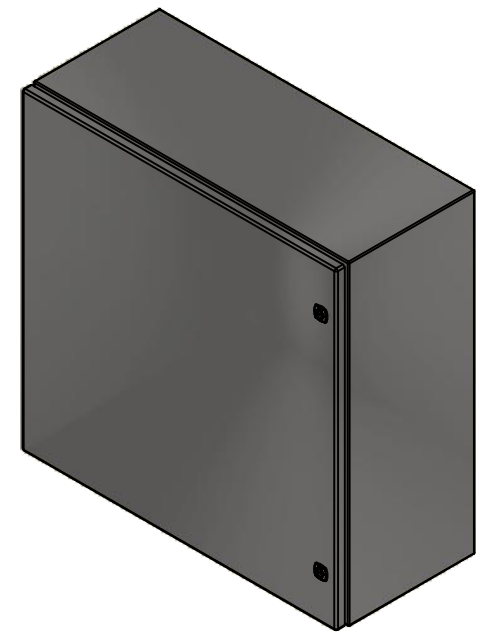
|  |                                   |   |
|--|-----------------------------------|---|
|  Tél: (450) 979-4373<br>Fax: (450) 979-4626<br><a href="http://www.exmweb.com">www.exmweb.com</a> |                                   | Flatness<br>Aplatissement<br>Max 3.0mm<br>Projection<br> |
| Customer Client  | Date                              |   |
| Drawn By<br>Dessiné Par  | BoxCad: BoxCad                    | Date 2/11/2014  |
| Material<br>Matière  | 14 Ga Stainless Steel 304 (1.7mm) |   |
| Color<br>Couleur   | Unpainted                         | Finish<br>Fini Brushed  |
| Description  | Detail Rev.                       |   |
| 5412ESS 30" x 30" x 12" Assembly   |                                   |   |
| Part Number<br>Numéro Pièce  | Rev.                              | 1   |
| 5412ESS303012  | 0                                 | 9   |

This drawing is confidential and must not be reproduced or used without the consent of EXM

Ce dessin est confidentiel et ne doit pas être reproduit ou utilisé sans le consentement de EXM

| NOTE |  |
|------|--|
| ITEM | DESCRIPTION                                |
| 1    | NEMA 4X Enclosure                          |
| 2    | C/W Standard ground studs on box and cover |
| 3    | C/W Standard door stiffener                |
| 4    | C/W Standard inner panel (Included)        |
| 5    | C/W Standard inner panel mounting studs    |

| No. | Revisions | Date | By/Par |
|-----|-----------|------|--------|
|     |           |      |        |
|     |           |      |        |
|     |           |      |        |
|     |           |      |        |
|     |           |      |        |
|     |           |      |        |



Isometric View



Tél: (450) 979-4373  
 Fax: (450) 979-4626  
[www.exmweb.com](http://www.exmweb.com)



|  |                 |
|--|-----------------|
| Customer Client                        | Date            |
| Drawn By / Dessiné Par: BoxCad: BoxCad | Date: 2/11/2014 |

Material / Matière: 14 Ga Stainless Steel 304 (1.7mm)

|                            |                        |
|----------------------------|------------------------|
| Color / Couleur: Unpainted | Finish / Fini: Brushed |
|----------------------------|------------------------|

Description: 5412ESS 30" x 30" x 12" Assembly

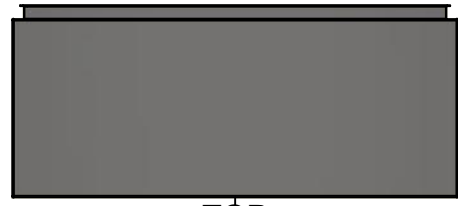
|  |        |     |
|--|--------|-----|
| Part Number / Numéro Pièce: <b>5412ESS303012</b> | Rev. 0 | 2/9 |
|--|--------|-----|

| Qty        | Part Number    | Rev | Description  |
|------------|----------------|-----|--|
| 1          | STK-K-01800    | 5   | 5412 ES Accessory Kit  |
| 1          | 881 SP3030G    | 0   | 881 SP - Inner Panel   |
| 1          | 5412ESS303012C | 0   | 5412ESS 30" x 30" Cover  |
| 4          | STK-Q-07310    | 2   | Flange Lock Nut M8   |
| 4          | STK-Q-07610    | 8   | M8 Plastic Spacer 22.2mm   |
| 1          | 5412ESS303012B | 0   | 5412ESS 30" x 30" x 12" Body   |
| 2          | STK-Q-04051-07 | 8   | M6 x 7mm Stainless Steel Hexagon Socket Head Machine Screw with Nyseal |
| Parts List |                |     |  |

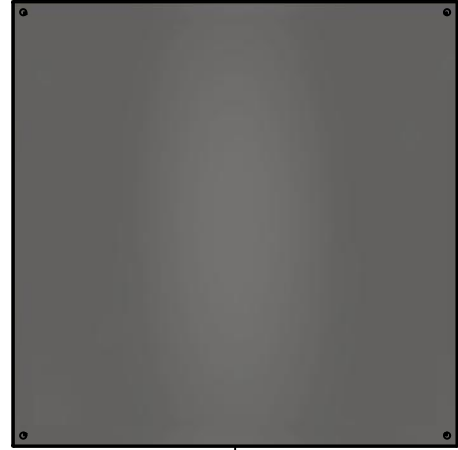
| PACKING               |     |  |
|-----------------------|-----|--|
| ITEM                  | QTY | DESCRIPTION                                |
| Cardboard sleeve      | 2   | Top and Bottom                             |
| Cardboard strip       | 2   | Between back of enclosure and inner panel  |
| Plastic bag           | 1   | To protect cover surface and inside gasket |
| Plastic strap - Black | 2   | To Squeeze the 2 cardboard sleeve together |
| Packaging label       | 1   | White label with product number            |

This drawing is confidential and must not be reproduced or used without the consent of EXM

Ce dessin est confidentiel et ne doit pas être reproduit ou utilisé sans le consentement de EXM



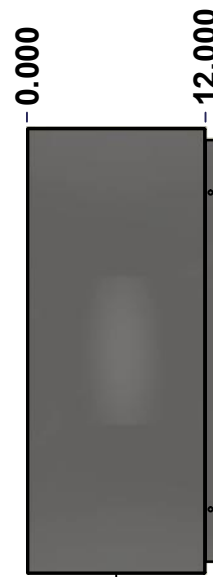
TOP



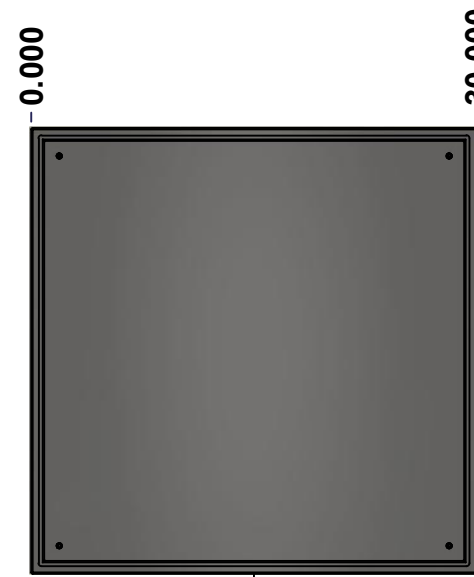
BACK



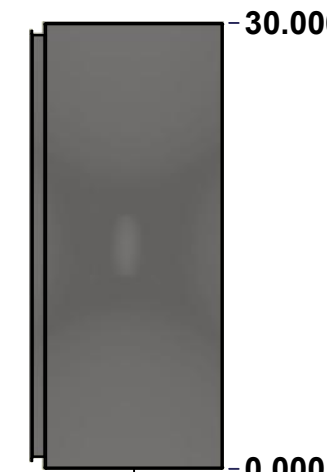
BOTTOM



LEFT

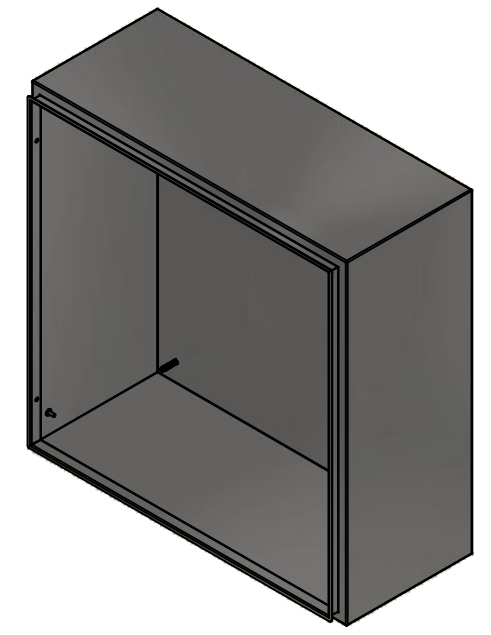


FRONT



RIGHT

| No. | Revisions | Date | By/Par |
|-----|-----------|------|--------|
|     |           |      |        |
|     |           |      |        |
|     |           |      |        |
|     |           |      |        |
|     |           |      |        |



Isometric View



Tél: (450) 979-4373  
 Fax: (450) 979-4626  
[www.exmweb.com](http://www.exmweb.com)

Flatness  
Aplatissement

Max 3.0mm

Projection



|   |                        |
|---|------------------------|
| Customer Client                                       | Date                   |
| Drawn By / Dessiné Par: BoxCad: BoxCad                | Date: 2/11/2014        |
| Material / Matière: 14 Ga Stainless Steel 304 (1.7mm) |                        |
| Color / Couleur: Unpainted                            | Finish / Fini: Brushed |
| Description: 5412ESS 30" x 30" x 12" Body             | Detail Rev.            |
| Part Number / Numéro Pièce: 5412ESS303012B            | Rev. 0                 |

SEE BILL OF MATERIAL ON LAST PAGE

This drawing is confidential and must not be reproduced or used without the consent of EXM

Ce dessin est confidentiel et ne doit pas être reproduit ou utilisé sans le consentement de EXM

| <b>STANDARD FEATURES ARE NOT LISTED IN THIS HOLE TABLE</b> |        |       |                             |
|--|--------|-------|-----------------------------|
| <b>HOLE TABLE - LEFT VIEW (CUSTOM FEATURE ONLY)</b>        |        |       |                             |
| CUT-OUT  | XDIM   | YDIM  | DESCRIPTION                 |
| 1  | 10.500 | 2.000 | GND STUD M6 x 16mm (Inside) |



|  |                              |          |     |
|--|------------------------------|----------|-----|
|  | Description                  | Status   |     |
|  | 5412ESS 30" x 30" x 12" Body | (NULL)   |     |
|  | Part Number<br>Numéro Pièce  | Rev.     |     |
|  | <b>5412ESS303012B</b>        | <b>0</b> | 4/9 |

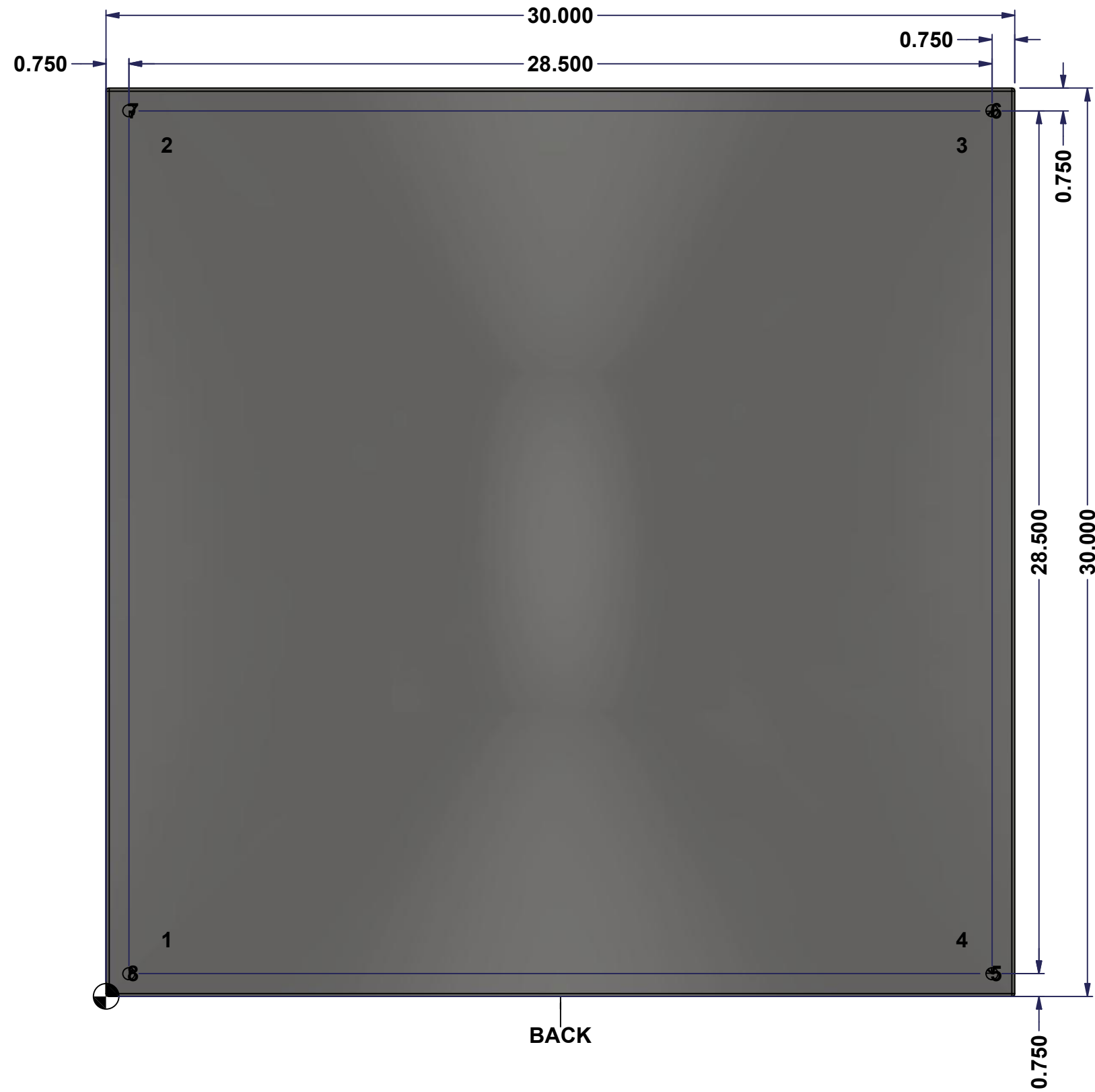
This drawing is confidential and must not be reproduced or used without the consent of EXM

Ce dessin est confidentiel et ne doit pas être reproduit ou utilisé sans le consentement de EXM

**STANDARD FEATURES ARE NOT LISTED IN THIS HOLE TABLE**

**HOLE TABLE - BACK VIEW (CUSTOM FEATURE ONLY)**

| CUT-OUT | XDIM   | YDIM   | DESCRIPTION                |
|---------|--------|--------|----------------------------|
| 1       | 1.875  | 1.875  | IP STUD M8 x 35mm (Inside) |
| 2       | 1.875  | 28.125 | IP STUD M8 x 35mm (Inside) |
| 3       | 28.125 | 28.125 | IP STUD M8 x 35mm (Inside) |
| 4       | 28.125 | 1.875  | IP STUD M8 x 35mm (Inside) |
| -----   |        |        |                            |
| 5       | 29.250 | 0.750  | RND Ø0.390                 |
| 6       | 29.250 | 29.250 | RND Ø0.390                 |
| 7       | 0.750  | 29.250 | RND Ø0.390                 |
| 8       | 0.750  | 0.750  | RND Ø0.390                 |

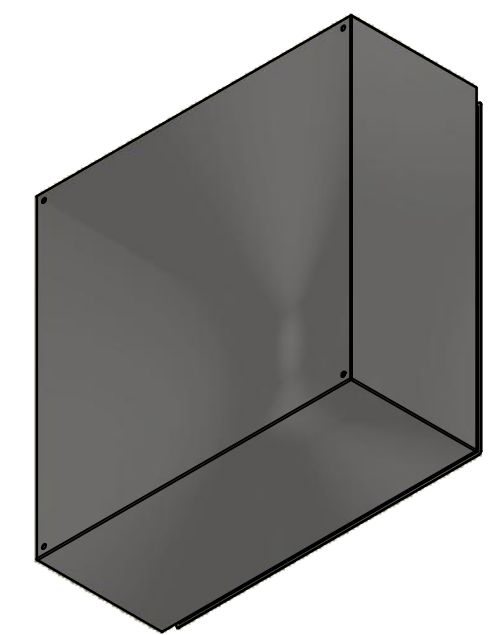


|  |                              |          |        |
|--|------------------------------|----------|--------|
|  | Description                  | Status   |        |
|  | 5412ESS 30" x 30" x 12" Body | (NULL)   |        |
|  | Part Number<br>Numéro Pièce  | Rev.     |        |
|  | <b>5412ESS303012B</b>        | <b>0</b> | 5<br>9 |

This drawing is confidential and must not be reproduced or used without the consent of EXM


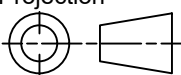
Ce dessin est confidentiel et ne doit pas être reproduit ou utilisé sans le consentement de EXM

| No. | Revisions | Date | By/Par |
|-----|-----------|------|--------|
|     |           |      |        |
|     |           |      |        |
|     |           |      |        |
|     |           |      |        |
|     |           |      |        |



Isometric View



|  |                                   |   |
|--|-----------------------------------|---|
|  Tél: (450) 979-4373<br>Fax: (450) 979-4626<br><a href="http://www.exmweb.com">www.exmweb.com</a> | Flatness<br>Aplatissement         | Max 3.0mm   |
|  | Projection                        |  |
| Customer Client  | Date                              |   |
| Drawn By<br>Dessiné Par  | BoxCad: BoxCad                    | Date 2/11/2014  |
| Material<br>Matière  | 14 Ga Stainless Steel 304 (1.7mm) |   |
| Color<br>Couleur   | Unpainted                         | Finish<br>Fini<br>Brushed   |
| Description  | Detail Rev.                       |   |
| 5412ESS 30" x 30" x 12" Body   |                                   |   |
| Part Number<br>Numéro Pièce  | Rev.                              | 6   |
| <b>5412ESS303012B</b>  | <b>0</b>                          | 9   |

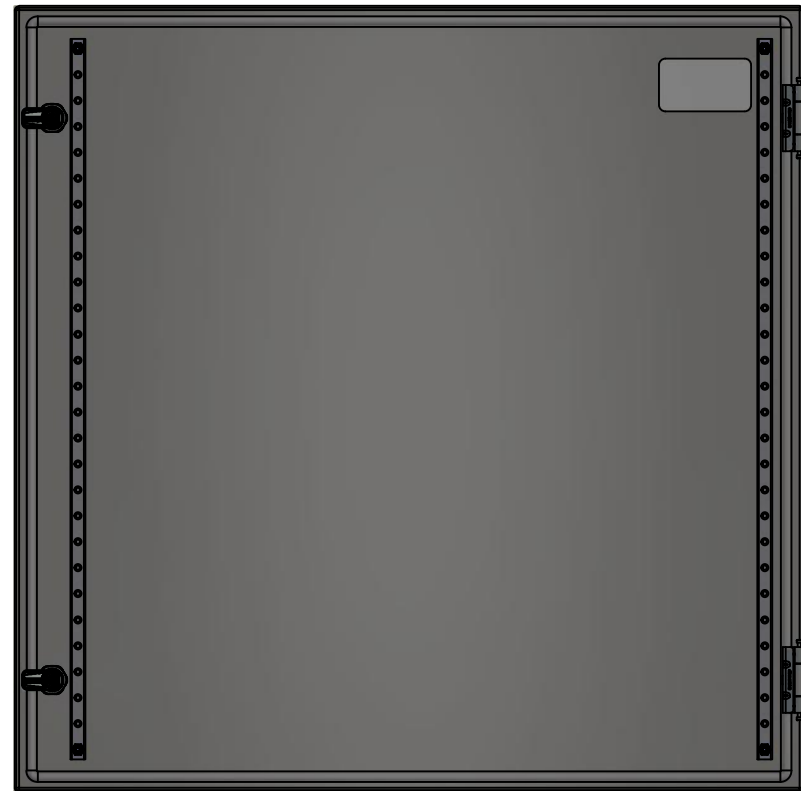
| Qty        | Part Number      | Rev | Description                           |
|------------|------------------|-----|---------------------------------------|
| 1          | STK-Q-16085      | 0   | Ground Stud M6 x 16mm Stainless Steel |
| 4          | STK-Q-16020      | 1   | Stud M8 x 35mm Stainless Steel        |
| 1          | 5412ESS303012B-P | 0   | 5412ESS 30" x 30" x 12" Body Part     |
| Parts List |                  |     |                                       |

This drawing is confidential and must not be reproduced or used without the consent of EXM

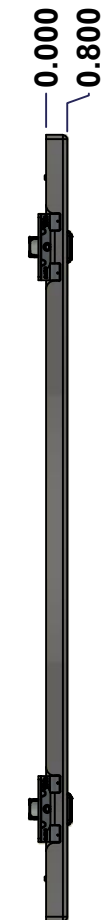
Ce dessin est confidentiel et ne doit pas être reproduit ou utilisé sans le consentement de EXM



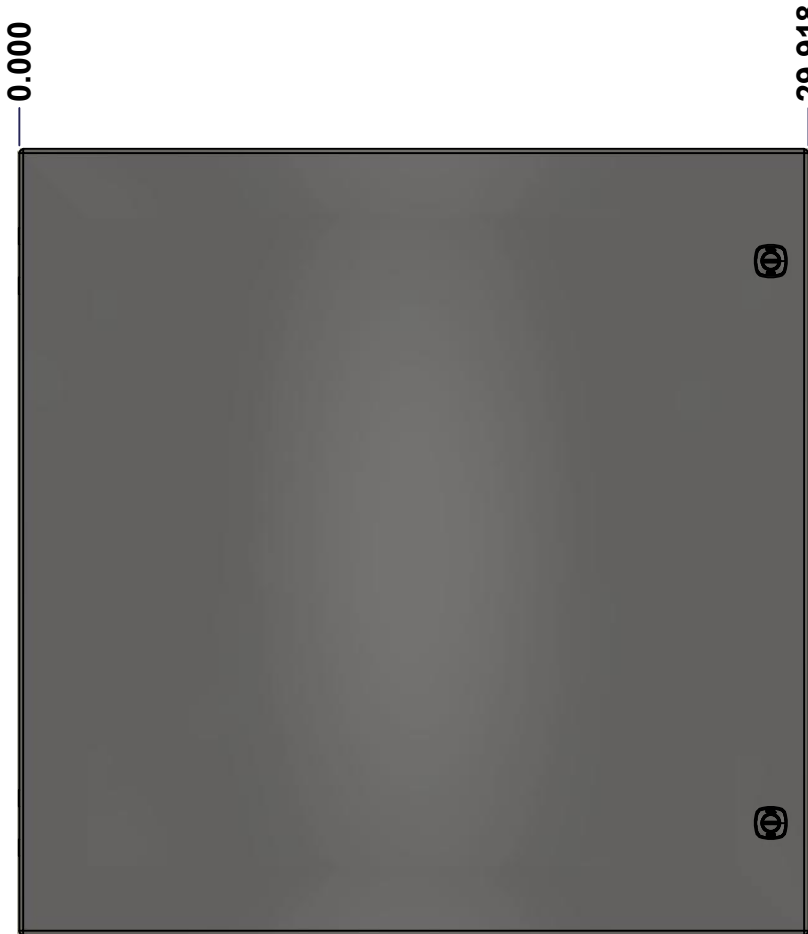
TOP



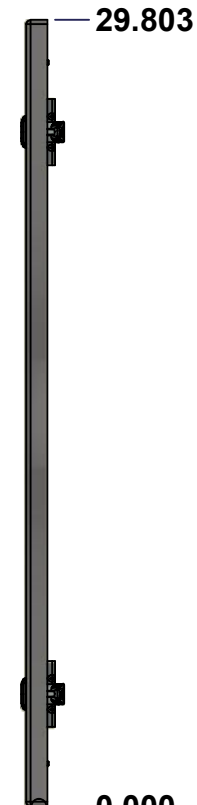
BACK



LEFT



FRONT

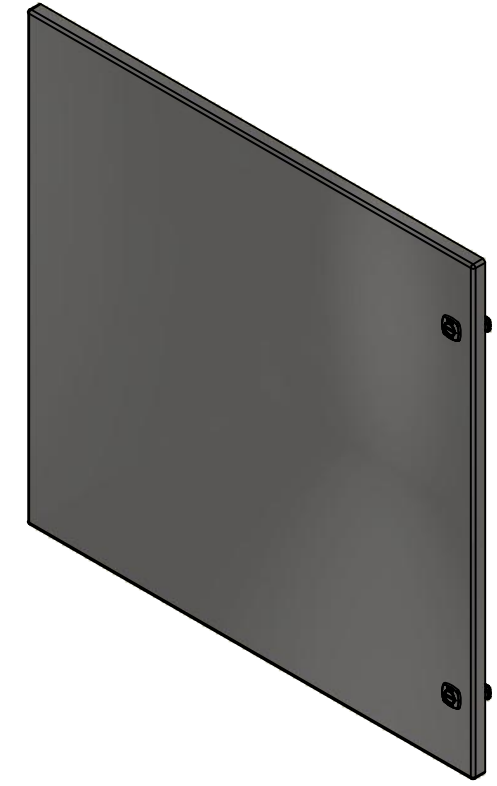


RIGHT



BOTTOM

| No. | Revisions | Date | By/Par |
|-----|-----------|------|--------|
|     |           |      |        |
|     |           |      |        |
|     |           |      |        |
|     |           |      |        |



Isometric View



Tél: (450) 979-4373  
 Fax: (450) 979-4626  
[www.exmweb.com](http://www.exmweb.com)

Flatness  
Aplatissement  
Max 3.0mm  
Projection

|   |                        |
|---|------------------------|
| Customer Client                                       | Date                   |
| Drawn By<br>Dessiné Par BoxCad: BoxCad                | Date 2/11/2014         |
| Material<br>Matière 14 Ga Stainless Steel 304 (1.7mm) |                        |
| Color<br>Couleur Unpainted                            | Finish<br>Fini Brushed |
| Description<br>5412ESS 30" x 30" Cover                | Detail Rev.            |
| Part Number<br>Numéro Pièce 5412ESS303012C            | Rev. 7<br>0            |

SEE BILL OF MATERIAL ON LAST PAGE

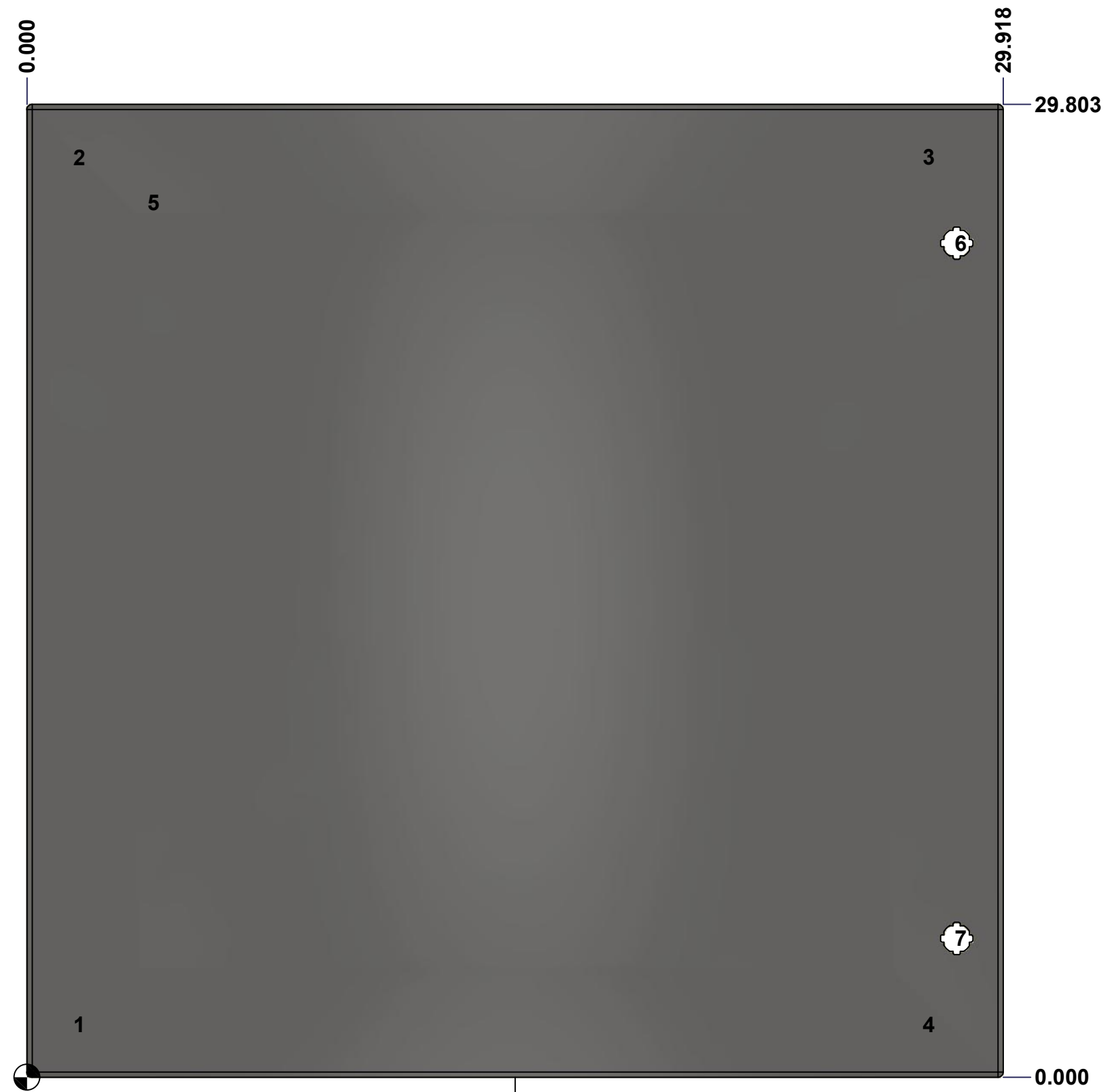
This drawing is confidential and must not be reproduced or used without the consent of EXM

Ce dessin est confidentiel et ne doit pas être reproduit ou utilisé sans le consentement de EXM

**STANDARD FEATURES ARE NOT LISTED IN THIS HOLE TABLE**

**HOLE TABLE - FRONT VIEW (CUSTOM FEATURE ONLY)**

| CUT-OUT | XDIM   | YDIM   | DESCRIPTION                |
|---------|--------|--------|----------------------------|
| 1       | 1.486  | 1.614  | STUD M6 x 18mm (Inside)    |
| 2       | 1.486  | 28.189 | STUD M6 x 18mm (Inside)    |
| 3       | 27.517 | 28.189 | STUD M6 x 18mm (Inside)    |
| 4       | 27.517 | 1.614  | STUD M6 x 18mm (Inside)    |
| -----   |        |        |                            |
| 5       | 3.750  | 26.803 | LABEL_EXM (Inside)         |
| 6       | 28.494 | 25.553 | LOCK 880 SCQ4-SLSS6 @ 0.0° |
| 7       | 28.494 | 4.250  | LOCK 880 SCQ4-SLSS6 @ 0.0° |



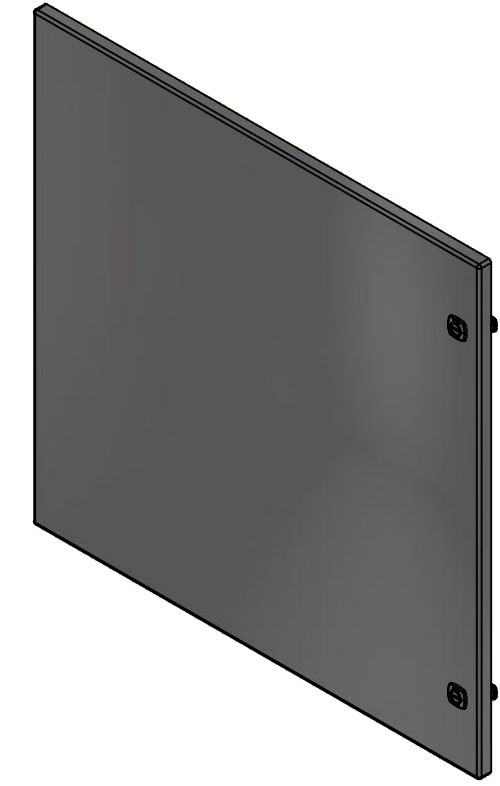
|  |                             |          |        |
|--|-----------------------------|----------|--------|
|  | Description                 | Status   |        |
|  | 5412ESS 30" x 30" Cover     | (NULL)   |        |
|  | Part Number<br>Numéro Pièce | Rev.     |        |
|  | <b>5412ESS303012C</b>       | <b>0</b> | 8<br>9 |



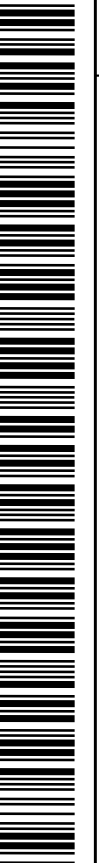
This drawing is confidential and must not be reproduced or used without the consent of EXM


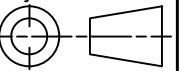
Ce dessin est confidentiel et ne doit pas être reproduit ou utilisé sans le consentement de EXM

| No. | Revisions | Date | By/Par |
|-----|-----------|------|--------|
|     |           |      |        |
|     |           |      |        |
|     |           |      |        |
|     |           |      |        |
|     |           |      |        |



Isometric View

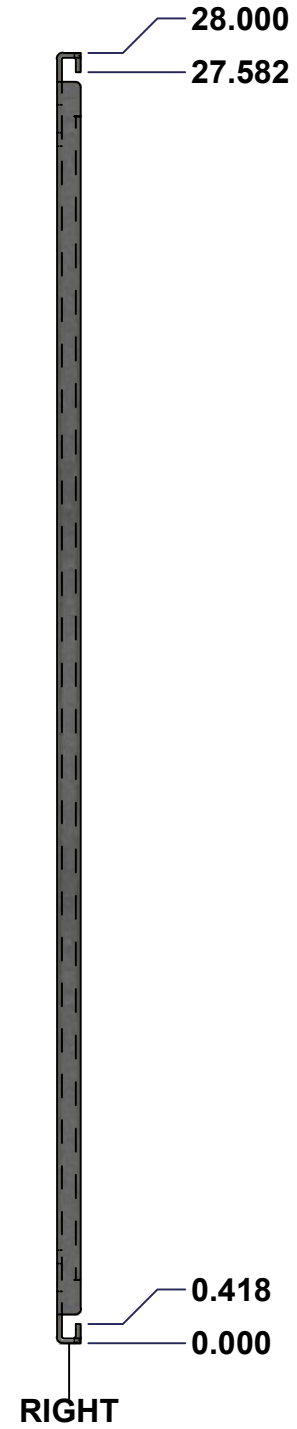
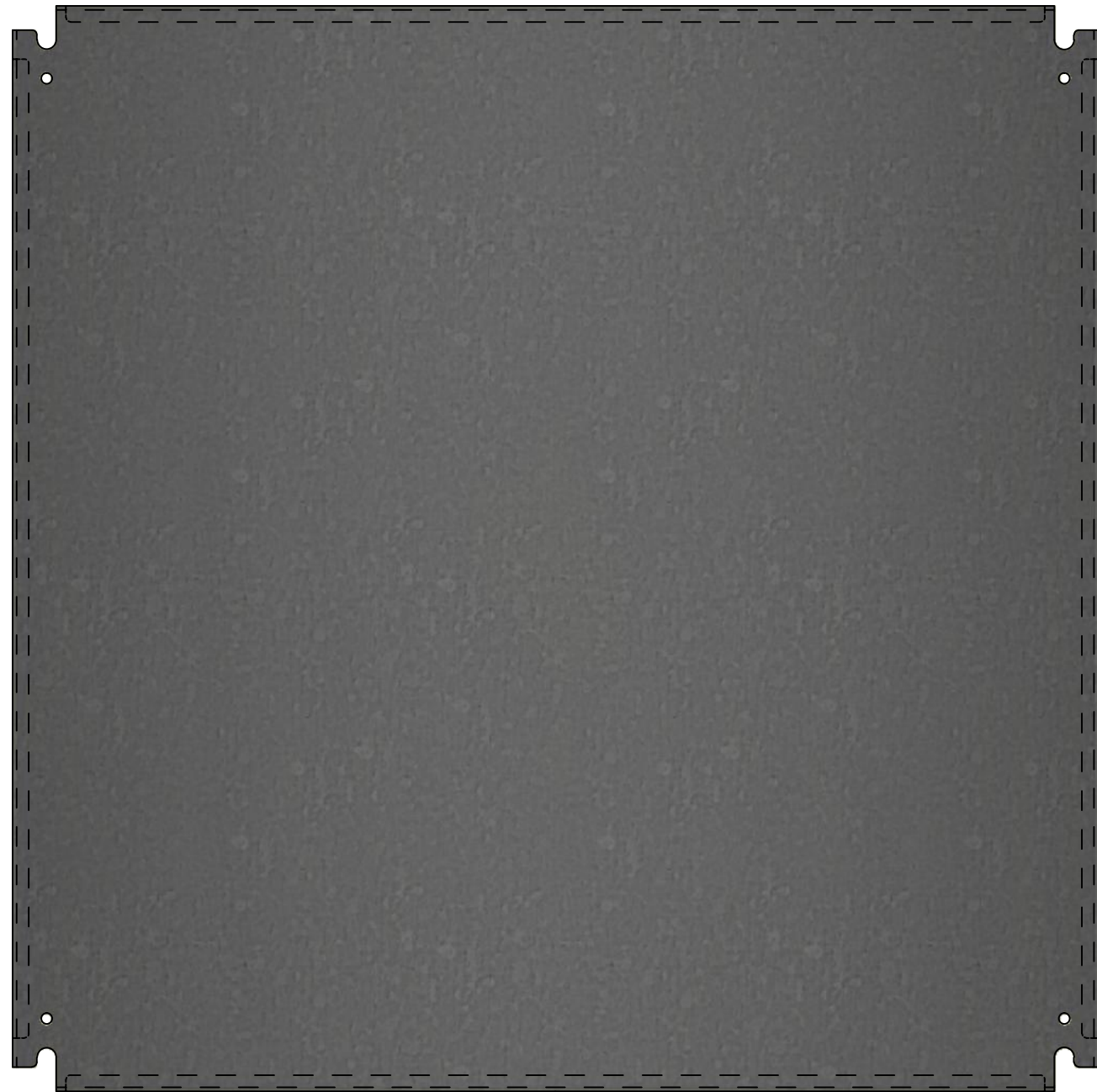
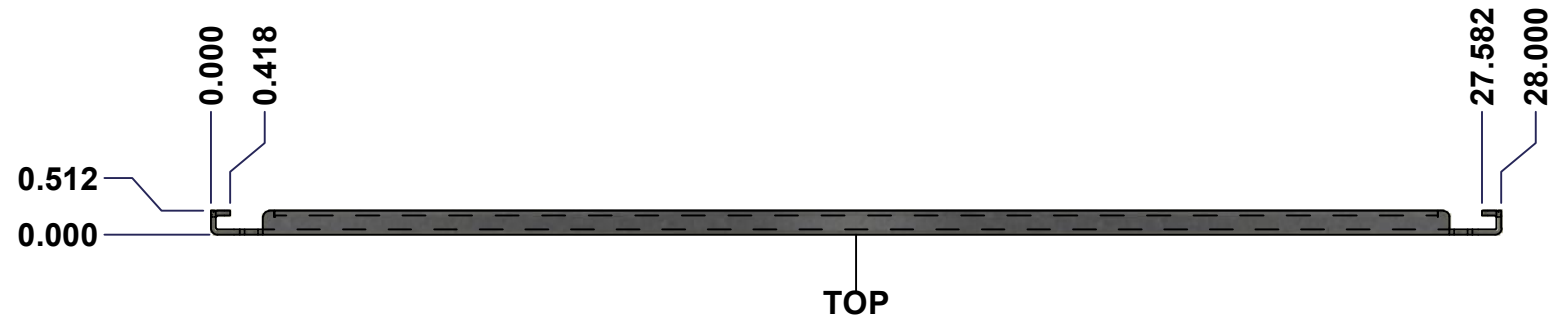


|  |                                   |   |
|--|-----------------------------------|---|
|  Tél: (450) 979-4373<br>Fax: (450) 979-4626<br><a href="http://www.exmweb.com">www.exmweb.com</a> |                                   | Flatness<br>Aplatissement<br>Max 3.0mm<br>Projection<br> |
| Customer Client  | Date                              |   |
| Drawn By<br>Dessiné Par  | BoxCad: BoxCad                    | Date 2/11/2014  |
| Material<br>Matière  | 14 Ga Stainless Steel 304 (1.7mm) |   |
| Color<br>Couleur   | Unpainted                         | Finish<br>Fini Brushed  |
| Description  |                                   | Detail Rev.   |
| 5412ESS 30" x 30" Cover  |                                   |   |
| Part Number<br>Numéro Pièce  | Rev.                              | 9   |
| <b>5412ESS303012C</b>  | <b>0</b>                          | 9   |

| Qty        | Part Name        | Rev | Description                            |
|------------|------------------|-----|--|
| 1          | STK-S-00100      | 0   | 3.5" x 2" Silver Milar Flexcon Sticker |
| 2          | STK-Q-46020-30   | 5   | 5412 ES Vertical Door Stiffener 30"    |
| 4          | STK-Q-16070      | 1   | Stud M6 x 18mm Stainless steel         |
| 1          | 5412ESS303012G   | 0   | 5412ESS 30" x 30" Cover Gasket Part    |
| 1          | 5412ESS303012C-P | 0   | 5412ESS 30" x 30" Cover Part           |
| 2          | STK-A-33016      | 0   | 5412 ESS Bended Hinge (Body Part)      |
| 2          | 880 SCQ4-SLSS6   | 7   | 5412 ESS 1/4 Turn Lock                 |
| 4          | STK-Q-07220      | 1   | M6 Nylon Insert Lock Nut               |
| Parts List |                  |     |  |

This drawing is confidential and must not be reproduced or used without the consent of EXM

Ce dessin est confidentiel et ne doit pas être reproduit ou utilisé sans le consentement de EXM



| No. | Revisions | Date | By/Par |
|-----|-----------|------|--------|
|     |           |      |        |
|     |           |      |        |
|     |           |      |        |
|     |           |      |        |
|     |           |      |        |



Isometric View



Tél: (450) 979-4373  
Fax: (450) 979-4626  
www.exmweb.com

Flatness  
Aplatissement  
Max 3.0mm  
Projection

|                                   |                              |
|-----------------------------------|------------------------------|
| Customer Client                   | Date                         |
| Drawn By / Dessiné Par: BoxCad    | Date: 1/23/2007              |
| Material / Matière: See Part List |                              |
| Color / Couleur: See Part List    | Finish / Fini: See Part List |

Description: 881 SP - Inner Panel  
Detail Rev.

| Qty | Part Number   | Rev | Description               | Material         | Color     | Finish     |
|-----|---------------|-----|---------------------------|------------------|-----------|------------|
| 1   | 881 SP3030G-P | 0   | 881 SP - Inner Panel Part | 12 Ga Galvanized | Unpainted | Galvanized |

Parts List

|  |        |       |
|--|--------|-------|
| Part Number / Numéro Pièce: <b>881 SP3030G</b> | Rev. 0 | 1 / 2 |
|--|--------|-------|

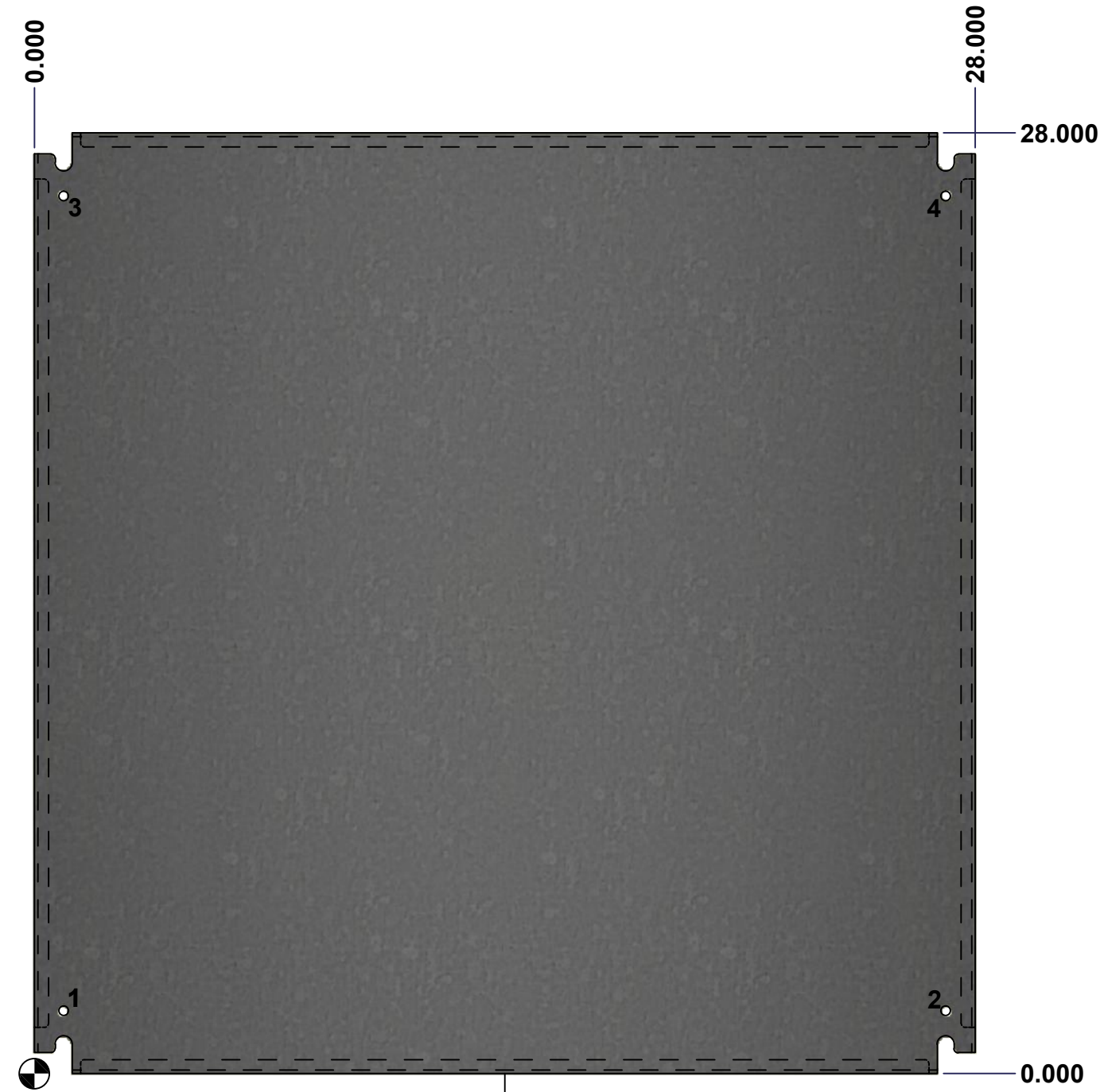
This drawing is confidential and must not be reproduced or used without the consent of EXM

Ce dessin est confidentiel et ne doit pas être reproduit ou utilisé sans le consentement de EXM

| Table 1 |        |        | FRONT VIEW               |
|---------|--------|--------|--------------------------|
| CUT-OUT | XDIM   | YDIM   | DESCRIPTION              |
| 1       | 0.875  | 1.875  | GROUND HOLE (RND Ø0.290) |
| 2       | 27.125 | 1.875  | GROUND HOLE (RND Ø0.290) |
| 3       | 0.875  | 26.125 | GROUND HOLE (RND Ø0.290) |
| 4       | 27.125 | 26.125 | GROUND HOLE (RND Ø0.290) |

All knockouts are actual size / Les disques défonçables sont grandeur réel

| No. | Revisions | Date | By/Par |
|-----|-----------|------|--------|
|     |           |      |        |
|     |           |      |        |
|     |           |      |        |
|     |           |      |        |
|     |           |      |        |



FRONT



Isometric View



|  |               |  |
|--|---------------|--|
| Tél: (450) 979-4373<br>Fax: (450) 979-4626<br>www.exmweb.com |               | Flatness<br>Aplatissement<br>Max 3.0mm<br>Projection<br> |
| Customer<br>Client   | Date          |  |
| Drawn By<br>Dessiné Par                                      | BoxCad        | Date 1/23/2007   |
| Material<br>Matière  | See Part List |  |
| Color<br>Couleur   | See Part List | Finish<br>Fini See Part List                             |
| Description<br>881 SP - Inner Panel                          |               | Detail Rev.  |
| Part Number<br>Numéro Pièce                                  | 881 SP3030G   | Rev. 2<br>0  |