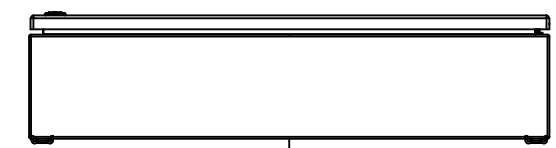
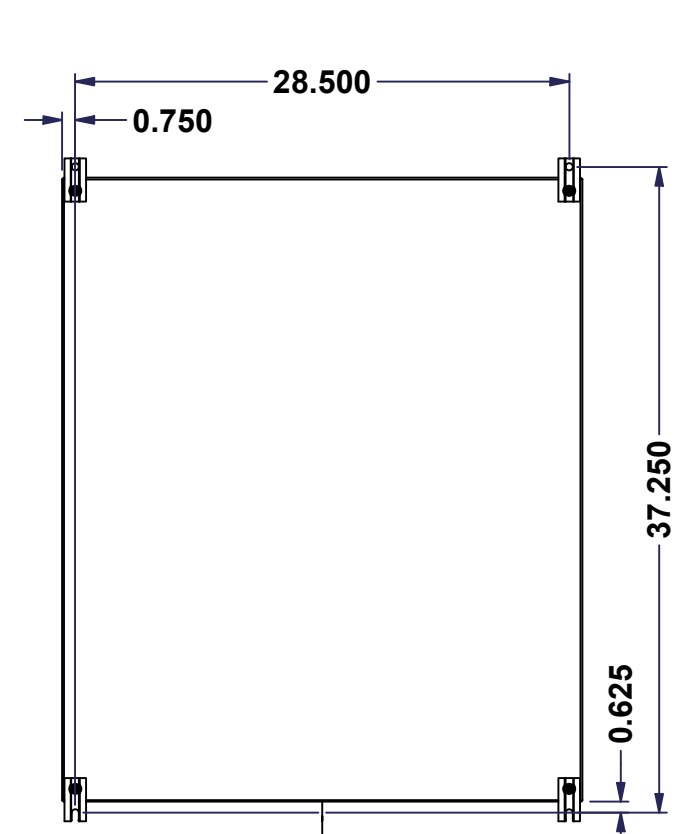


This drawing is confidential and must not be reproduced or used without the consent of EXM

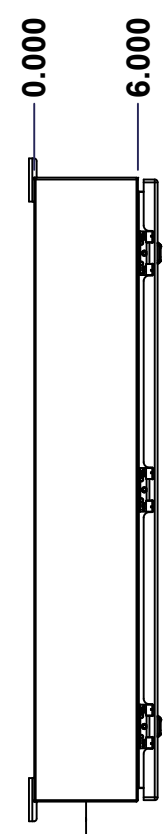
Ce dessin est confidentiel et ne doit pas être reproduit ou utilisé sans le consentement de EXM



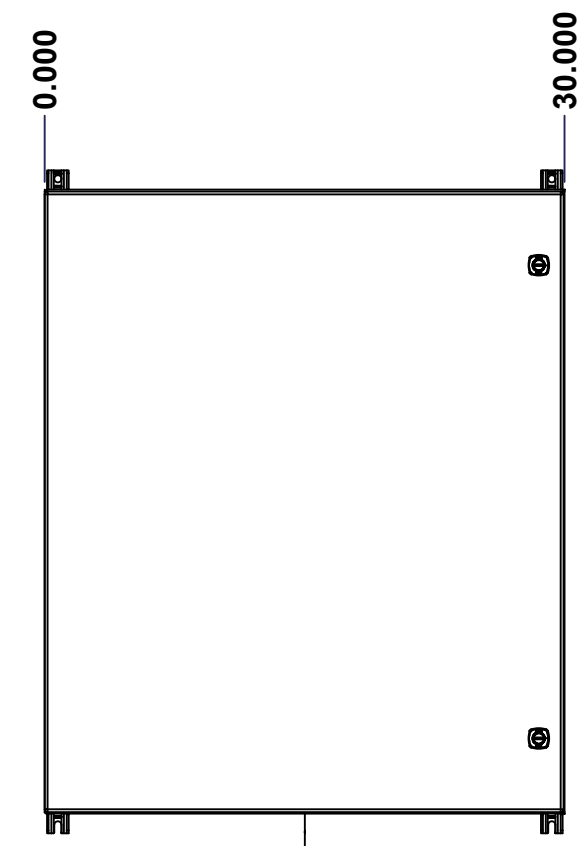
TOP



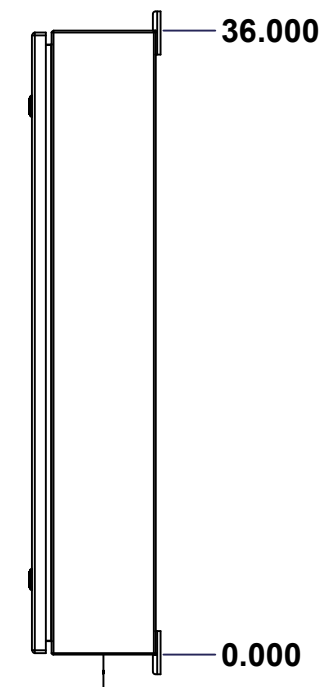
BACK



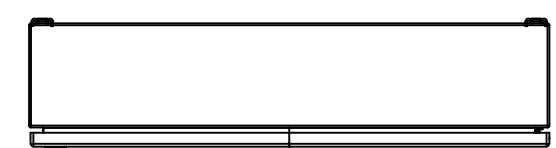
LEFT



FRONT



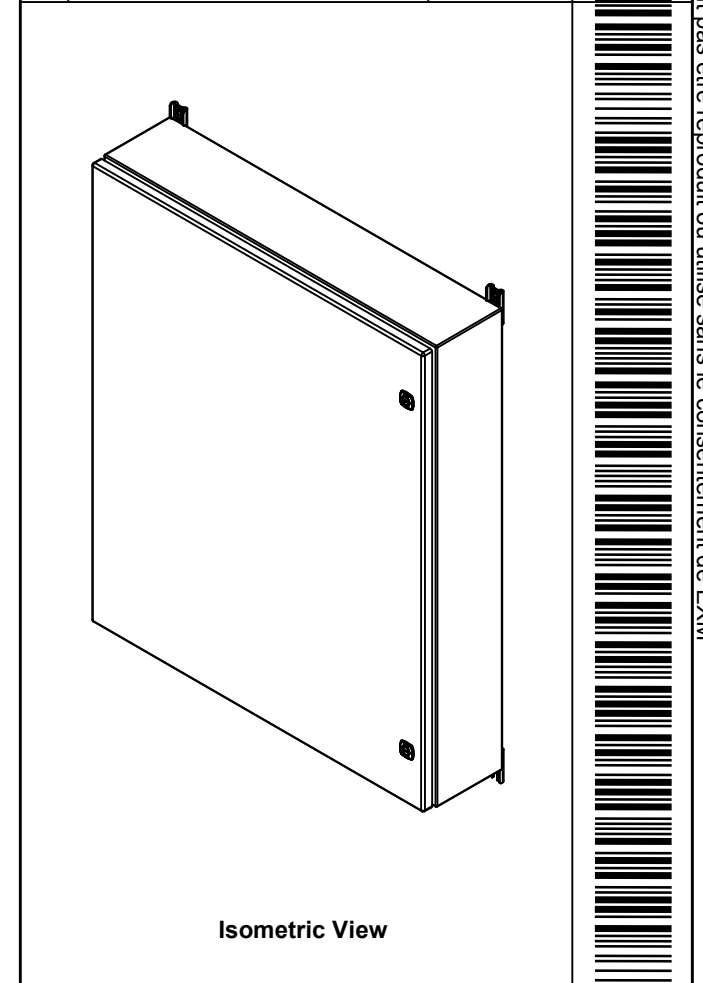
RIGHT



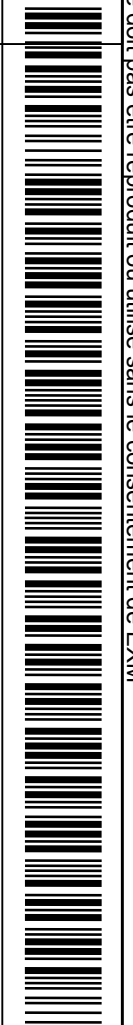
BOTTOM

**GRAIN DIRECTION:  
TOP/BOTTOM: HORIZONTAL  
LEFT/RIGHT/BACK/FRONT: VERTICAL**

| No. | Revisions | Date | By/Par |
|-----|-----------|------|--------|
|     |           |      |        |
|     |           |      |        |
|     |           |      |        |
|     |           |      |        |



Isometric View



|   |  |
|---|--|
|   | Flatness<br>Aplatissement<br>Max 3.0mm |
|   | Projection<br>                         |
| Customer Client                                     | Date                                   |
| Drawn By<br>Dessiné Par: BoxCad: BoxCad             | Date: 26-May-23                        |
| Material Matière: 14 Ga Stainless Steel 304 (1.7mm) |  |
| Color Couleur: Unpainted                            | Finish Fini: Brushed                   |
| Description: 5412ESS 36" x 30" x 6" Assembly        |  |
| Part Number<br>Numéro Pièce: 5412ESS363006THNOIP    | Detail Rev. 1<br>Rev. 0                |

SEE BILL OF MATERIAL ON LAST PAGE

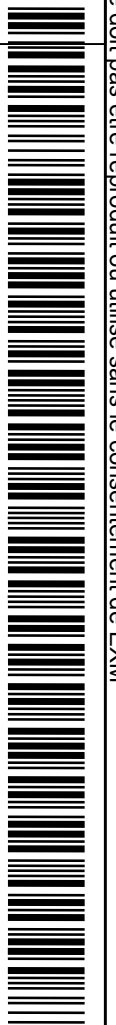
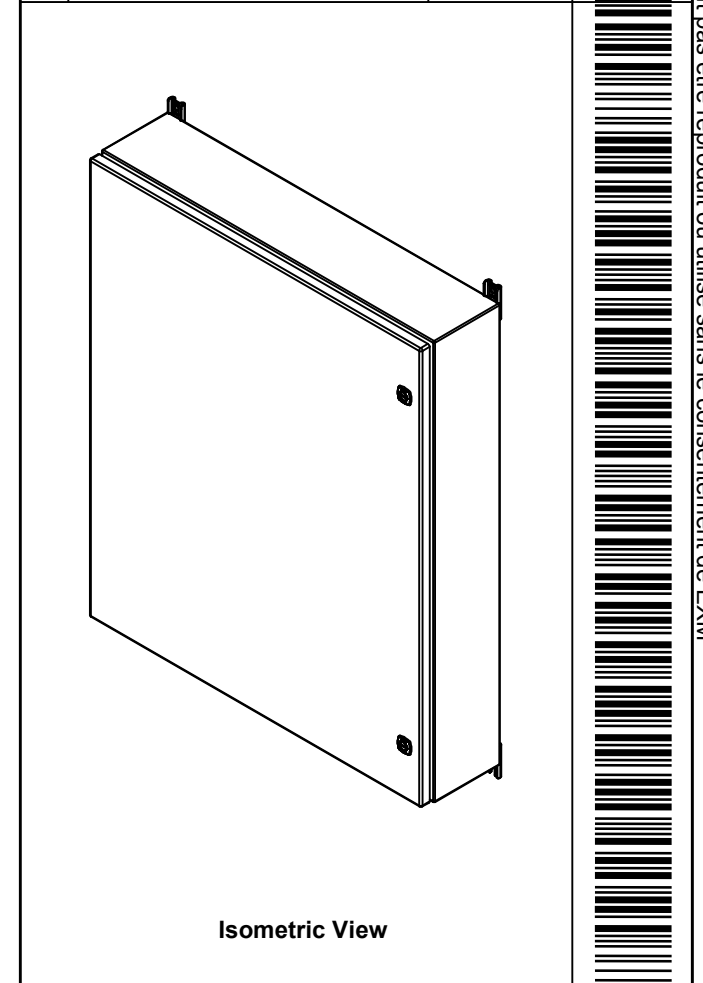
**5412ESS363006THNOIP**


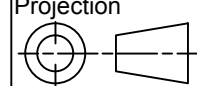
This drawing is confidential and must not be reproduced or used without the consent of EXM

Ce dessin est confidentiel et ne doit pas être reproduit ou utilisé sans le consentement de EXM

| NOTE |   |
|------|---|
| ITEM | DESCRIPTION                                     |
| 1    | NEMA 4X Enclosure                               |
| 2    | C/W Standard ground studs on box and cover      |
| 3    | C/W Standard door stiffener                     |
| 4    | W/O Inner panel                                 |
| 5    | C/W Standard inner panel mounting studs         |
| 6    | C/W 885 ESMF4_OPEN Sold separately (Installed)  |
| 7    | C/W 885 ESMF4_CLOSE Sold separately (Installed) |
| 8    | C/W R5 Insulation (Installed by EXM)            |

| No. | Revisions | Date | By/Par |
|-----|-----------|------|--------|
|     |           |      |        |
|     |           |      |        |
|     |           |      |        |
|     |           |      |        |
|     |           |      |        |
|     |           |      |        |



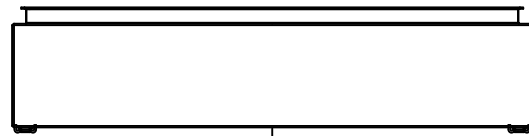
|  |                                   |   |
|--|-----------------------------------|---|
|  Tél: (450) 979-4373<br>Fax: (450) 979-4626<br><a href="http://www.exmweb.com">www.exmweb.com</a> |                                   | Flatness<br>Aplatissement<br>Max 3.0mm<br>Projection<br> |
| Customer Client  | Date                              |   |
| Drawn By<br>Dessiné Par  | BoxCad: BoxCad                    | Date 26-May-23  |
| Material<br>Matière  | 14 Ga Stainless Steel 304 (1.7mm) |   |
| Color<br>Couleur   | Unpainted                         | Finish<br>Fini<br>Brushed   |
| Description  | Detail Rev.                       |   |
| 5412ESS 36" x 30" x 6" Assembly  |                                   |   |
| Part Number<br>Numéro Pièce  | Rev.                              | 2   |
| <b>5412ESS363006THNOIP</b>   | <b>0</b>                          | 16  |

| PACKING               |     |  |
|-----------------------|-----|--|
| ITEM                  | QTY | DESCRIPTION                                |
| Cardboard sleeve      | 2   | Top and Bottom                             |
| Cardboard strip       | 2   | Between back of enclosure and inner panel  |
| Plastic bag           | 1   | To protect cover surface and inside gasket |
| Plastic strap - Black | 2   | To Squeeze the 2 cardboard sleeve together |
| Packaging label       | 1   | White label with product number            |

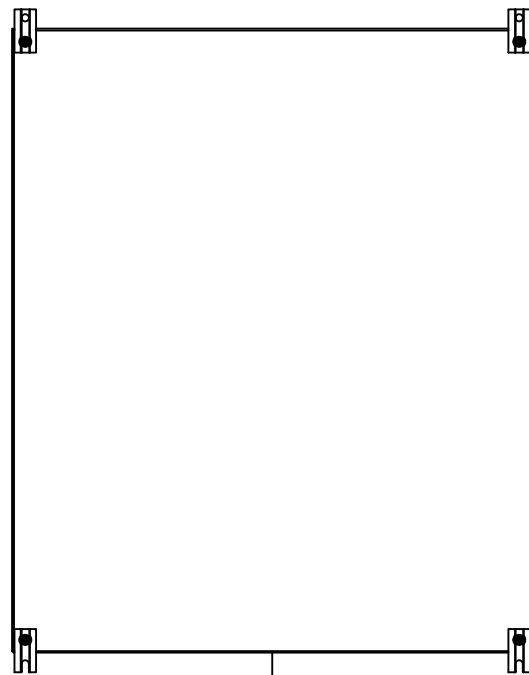
|            |                          |     |  |
|------------|--------------------------|-----|--|
| 6          | STK-Q-00600              | 2   | M12 to M8 Adaptor  |
| 1          | STK-K-01800              | 5   | 5412 ES Accessory Kit  |
| 1          | 5412ESS363006THNOIP<br>C | 0   | 5412ESS 36" x 30" Cover  |
| 1          | 5412ESS363006THNOIPB     | 0   | 5412ESS 36" x 30" x 6" Body  |
| 3          | STK-Q-04051-08           | 1   | M6 x 8mm Stainless Steel Hexagon Socket Head Machine Screw with Nyseal |
| Qty        | Part Number              | Rev | Description  |
| Parts List |                          |     |  |

This drawing is confidential and must not be reproduced or used without the consent of EXM

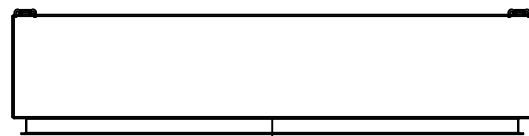
Ce dessin est confidentiel et ne doit pas être reproduit ou utilisé sans le consentement de EXM



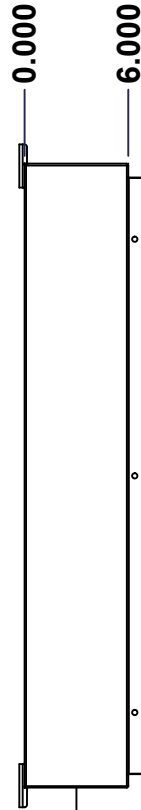
TOP



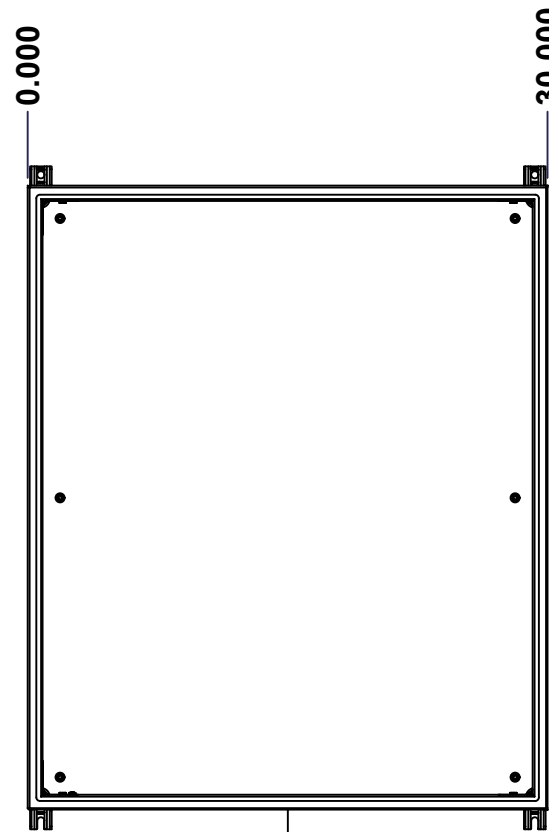
BACK



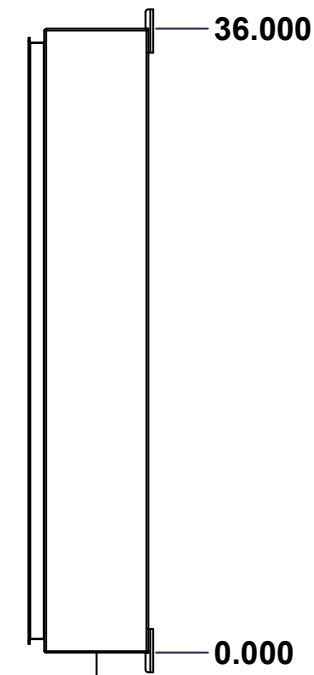
BOTTOM



LEFT

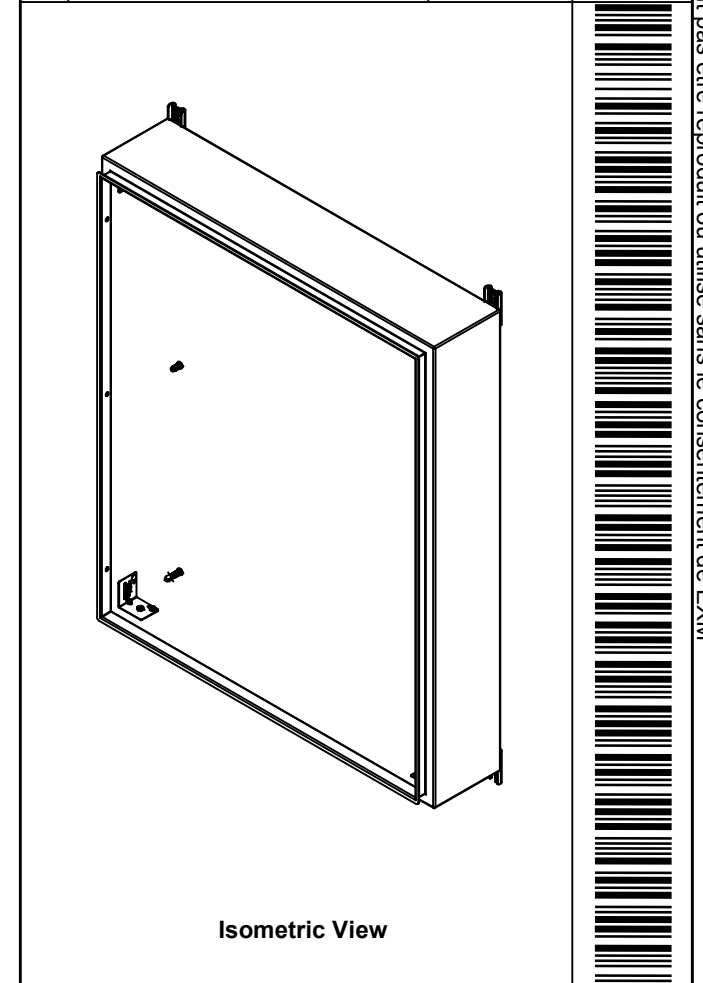


FRONT




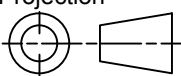
RIGHT

| No. | Revisions | Date | By/Par |
|-----|-----------|------|--------|
|     |           |      |        |
|     |           |      |        |
|     |           |      |        |
|     |           |      |        |



Isometric View

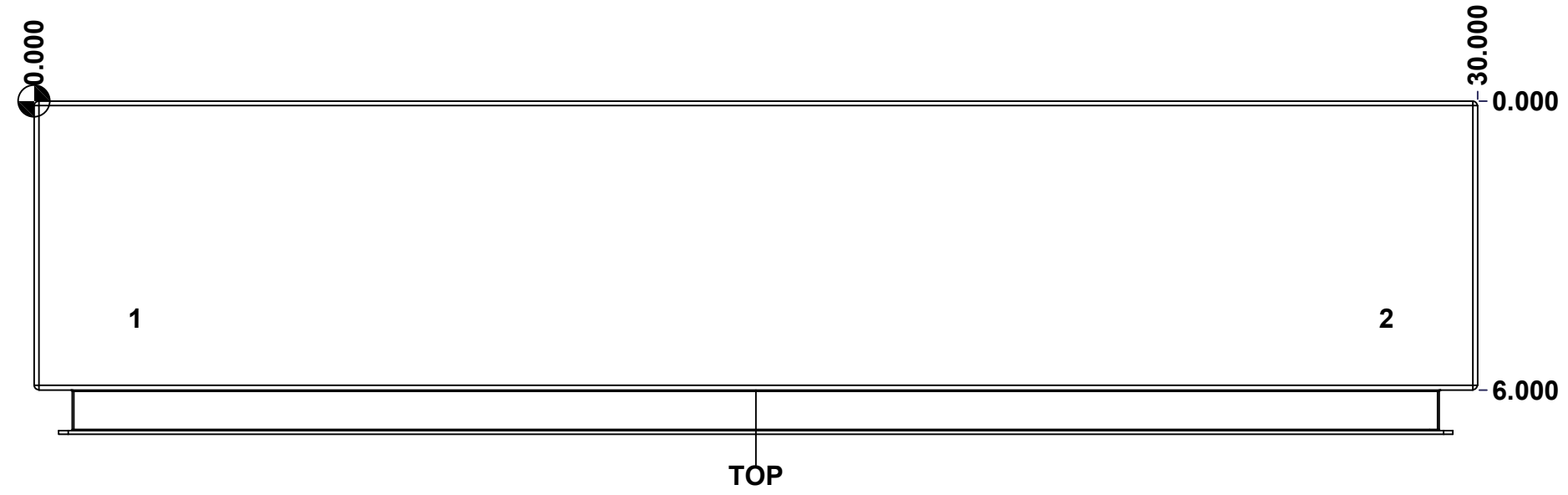


|  |                                   |   |
|--|-----------------------------------|---|
|  Tél: (450) 979-4373<br>Fax: (450) 979-4626<br><a href="http://www.exmweb.com">www.exmweb.com</a> |                                   | Flatness<br>Aplatissement<br>Max 3.0mm<br>Projection<br> |
| Customer Client  | Date                              |   |
| Drawn By<br>Dessiné Par  | BoxCad: BoxCad                    | Date 26-May-23  |
| Material<br>Matière  | 14 Ga Stainless Steel 304 (1.7mm) |   |
| Color<br>Couleur   | Unpainted                         | Finish<br>Fini<br>Brushed   |
| Description  | Detail Rev.                       |   |
| 5412ESS 36" x 30" x 6" Body  |                                   |   |
| Part Number<br>Numéro Pièce  | Rev.                              | 3   |
| SEE BILL OF MATERIAL ON LAST PAGE <b>5412ESS363006THNOIPB</b>  | <b>0</b>                          | 16  |

This drawing is confidential and must not be reproduced or used without the consent of EXM

Ce dessin est confidentiel et ne doit pas être reproduit ou utilisé sans le consentement de EXM

| STANDARD FEATURES ARE NOT LISTED IN THIS HOLE TABLE |        |       |                                |
|---|--------|-------|--------------------------------|
| HOLE TABLE - TOP VIEW (CUSTOM FEATURE ONLY)         |        |       |                                |
| CUT-OUT   | XDIM   | YDIM  | DESCRIPTION                    |
| 1   | 2.000  | 4.500 | INSUL. STUD M6 x 18mm (Inside) |
| 2   | 28.000 | 4.500 | INSUL. STUD M6 x 18mm (Inside) |

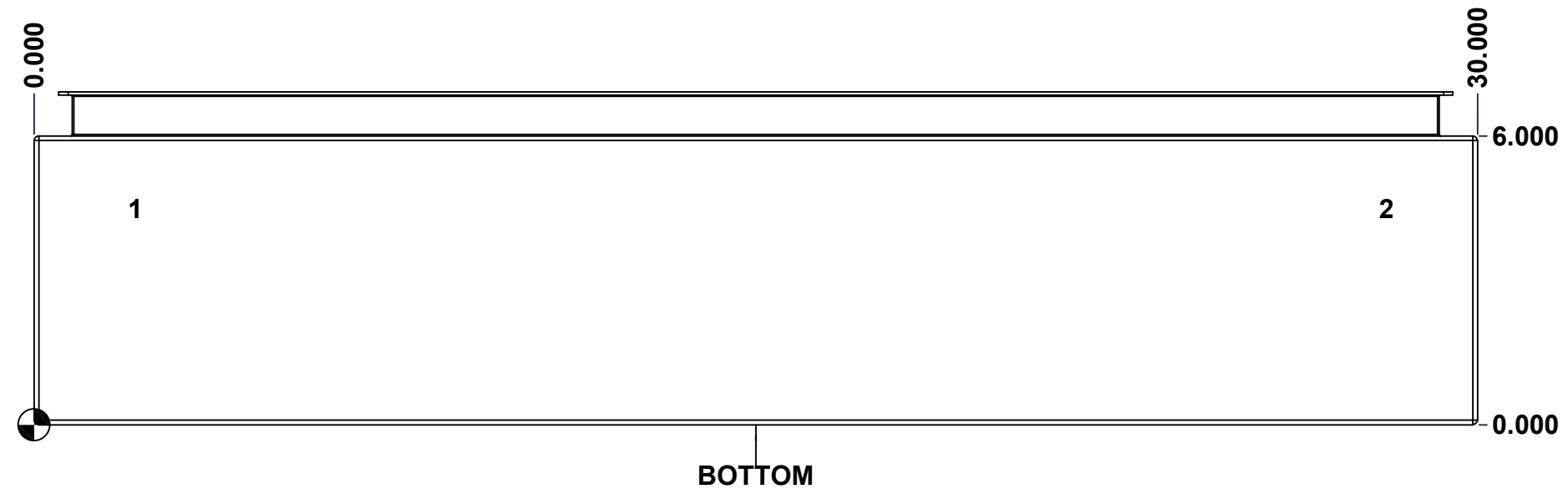


|  |                             |        |
|--|-----------------------------|--------|
|  | Description                 | Status |
|  | 5412ESS 36" x 30" x 6" Body | (NULL) |
| Part Number<br>Numéro Pièce<br><b>5412ESS363006THNOIPB</b> | Rev.                        | 4      |
|  | <b>0</b>                    | 16     |

This drawing is confidential and must not be reproduced or used without the consent of EXM

Ce dessin est confidentiel et ne doit pas être reproduit ou utilisé sans le consentement de EXM

| <b>STANDARD FEATURES ARE NOT LISTED IN THIS HOLE TABLE</b> |        |       |                                |
|--|--------|-------|--------------------------------|
| <b>HOLE TABLE - BOTTOM VIEW (CUSTOM FEATURE ONLY)</b>      |        |       |                                |
| CUT-OUT  | XDIM   | YDIM  | DESCRIPTION                    |
| 1  | 2.000  | 4.500 | INSUL. STUD M6 x 18mm (Inside) |
| 2  | 28.000 | 4.500 | INSUL. STUD M6 x 18mm (Inside) |



|  |                             |          |    |
|--|-----------------------------|----------|----|
|  | Description                 | Status   |    |
|  | 5412ESS 36" x 30" x 6" Body | (NULL)   |    |
|  | Part Number<br>Numéro Pièce | Rev.     | 5  |
|  | <b>5412ESS363006THNOIPB</b> | <b>0</b> | 16 |

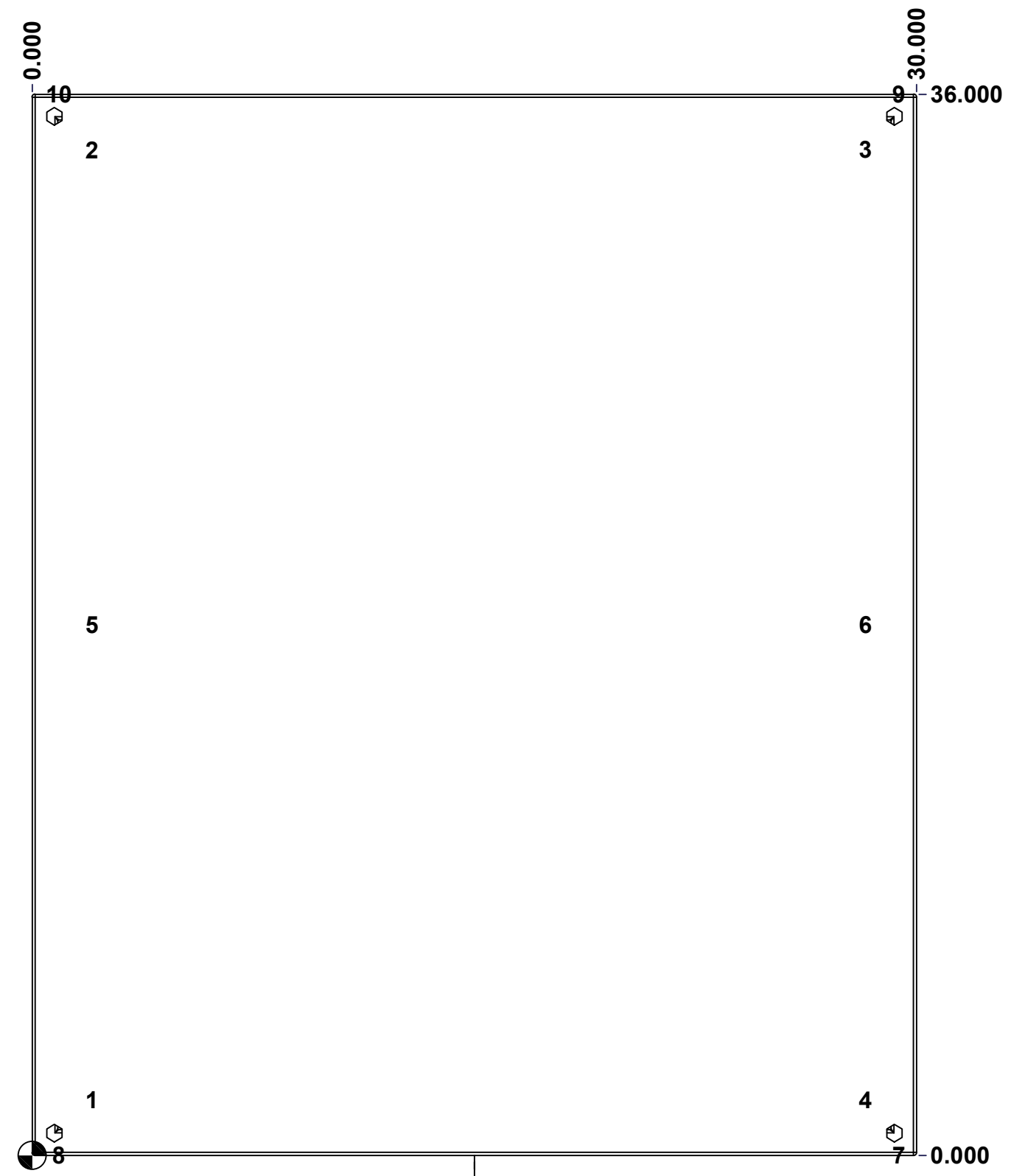
This drawing is confidential and must not be reproduced or used without the consent of EXM

Ce dessin est confidentiel et ne doit pas être reproduit ou utilisé sans le consentement de EXM

**STANDARD FEATURES ARE NOT LISTED IN THIS HOLE TABLE**

**HOLE TABLE - BACK VIEW (CUSTOM FEATURE ONLY)**

| CUT-OUT | XDIM   | YDIM   | DESCRIPTION                |
|---------|--------|--------|----------------------------|
| 1       | 1.875  | 1.875  | IP STUD M8 x 35mm (Inside) |
| 2       | 1.875  | 34.125 | IP STUD M8 x 35mm (Inside) |
| 3       | 28.125 | 34.125 | IP STUD M8 x 35mm (Inside) |
| 4       | 28.125 | 1.875  | IP STUD M8 x 35mm (Inside) |
| 5       | 1.875  | 18.000 | IP STUD M8 x 35mm (Inside) |
| 6       | 28.125 | 18.000 | IP STUD M8 x 35mm (Inside) |
| -----   |        |        |                            |
| 7       | 29.250 | 0.000  | FOOT 885 ESMF4_OPEN        |
| 8       | 0.750  | 0.000  | FOOT 885 ESMF4_OPEN        |
| 9       | 29.250 | 36.000 | FOOT 885 ESMF4_CLOSE       |
| 10      | 0.750  | 36.000 | FOOT 885 ESMF4_CLOSE       |



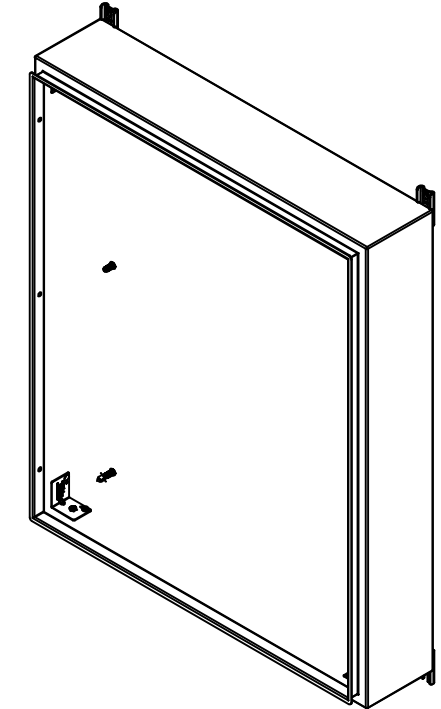
BACK

|  |                             |          |
|--|-----------------------------|----------|
|  | Description                 | Status   |
|  | 5412ESS 36" x 30" x 6" Body | (NULL)   |
|  | Part Number<br>Numéro Pièce | Rev.     |
|  | <b>5412ESS363006THNOIPB</b> | <b>0</b> |
|  |                             | 6        |
|  |                             | 16       |

This drawing is confidential and must not be reproduced or used without the consent of EXM

Ce dessin est confidentiel et ne doit pas être reproduit ou utilisé sans le consentement de EXM

| No. | Revisions | Date | By/Par |
|-----|-----------|------|--------|
|     |           |      |        |
|     |           |      |        |
|     |           |      |        |
|     |           |      |        |
|     |           |      |        |



Isometric View

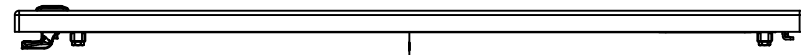


|            |                         |     |   |
|------------|-------------------------|-----|---|
| 2          | 885ESMF4-FEET           | 0   | 885 ESMF4 Stainless Steel Mounting Foot               |
| 4          | RIVET_NUT_SS_M10_FH_CE  | 0   | Stainless Steel Rivet Nut M10 (Low Profile Close End) |
| 4          | STK-Q-06670             | 2   | M10 x 16mm Stainless Steel Machine Screw              |
| 2          | 885ESMF4-FEET-A         | 0   | 885 ESMF4 Stainless Steel Mounting Foot (Opened Slot) |
| 1          | STK-K-70554             | 3   | 5412 ESTH Accessory Kit                               |
| 1          | 5412ESS363006THNOIPI-RS | 0   | 5412ESS 36" x 30" Right Insulation                    |
| 1          | 5412ESS363006THNOIPI-LS | 0   | 5412ESS 36" x 30" Left Insulation                     |
| 1          | 5412ESS363006THNOIPI-BT | 0   | 5412ESS 36" x 30" Top and Bottom Insulation           |
| 1          | 5412ESS363006THNOIPI-TP | 0   | 5412ESS 36" x 30" Top and Bottom Insulation           |
| 1          | 5412ESS363006THNOIPI-B  | 0   | 5412ESS 36" x 30" Back Insulation                     |
| 4          | STK-Q-16070             | 1   | Stud M6 x 18mm Stainless steel                        |
| 6          | STK-Q-16020             | 1   | Stud M8 x 35mm Stainless Steel                        |
| 1          | 5412ESS363006THNOIPB-P  | 0   | 5412ESS 36" x 30" x 6" Body Part                      |
| Qty        | Part Number             | Rev | Description   |
| Parts List |                         |     |   |

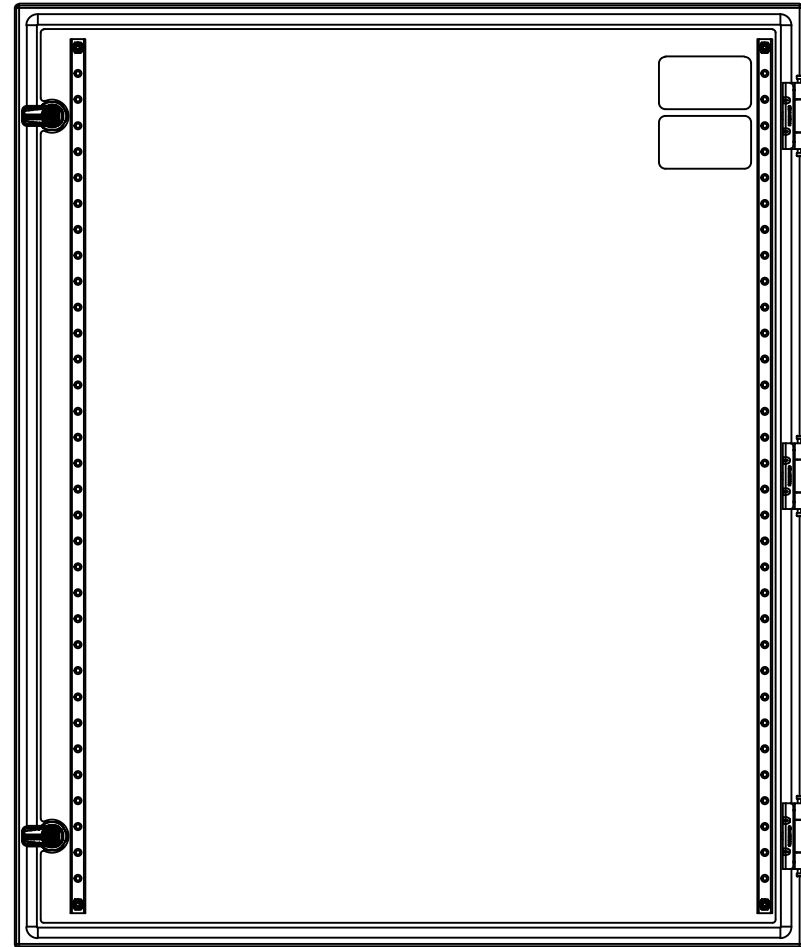
|   |  |  |
|---|--|--|
|   | Tél: (450) 979-4373<br>Fax: (450) 979-4626<br><a href="http://www.exmweb.com">www.exmweb.com</a> | Flatness<br>Aplatissement<br>Max 3.0mm |
|   | Projection   |  |
| Customer Client                                       | Date   |  |
| Drawn By Dessiné Par: BoxCad: BoxCad                  | Date   | 26-May-23                              |
| Material Matière                                      | 14 Ga Stainless Steel 304 (1.7mm)  |  |
| Color Couleur: Unpainted                              | Finish Fini: Brushed   |  |
| Description   | 5412ESS 36" x 30" x 6" Body  |  |
| Part Number Numéro Pièce: <b>5412ESS363006THNOIPB</b> | Rev. <b>0</b>  | 7 / 16                                 |

This drawing is confidential and must not be reproduced or used without the consent of EXM

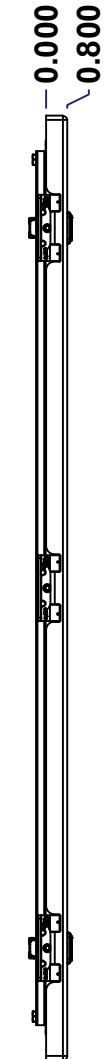
Ce dessin est confidentiel et ne doit pas être reproduit ou utilisé sans le consentement de EXM



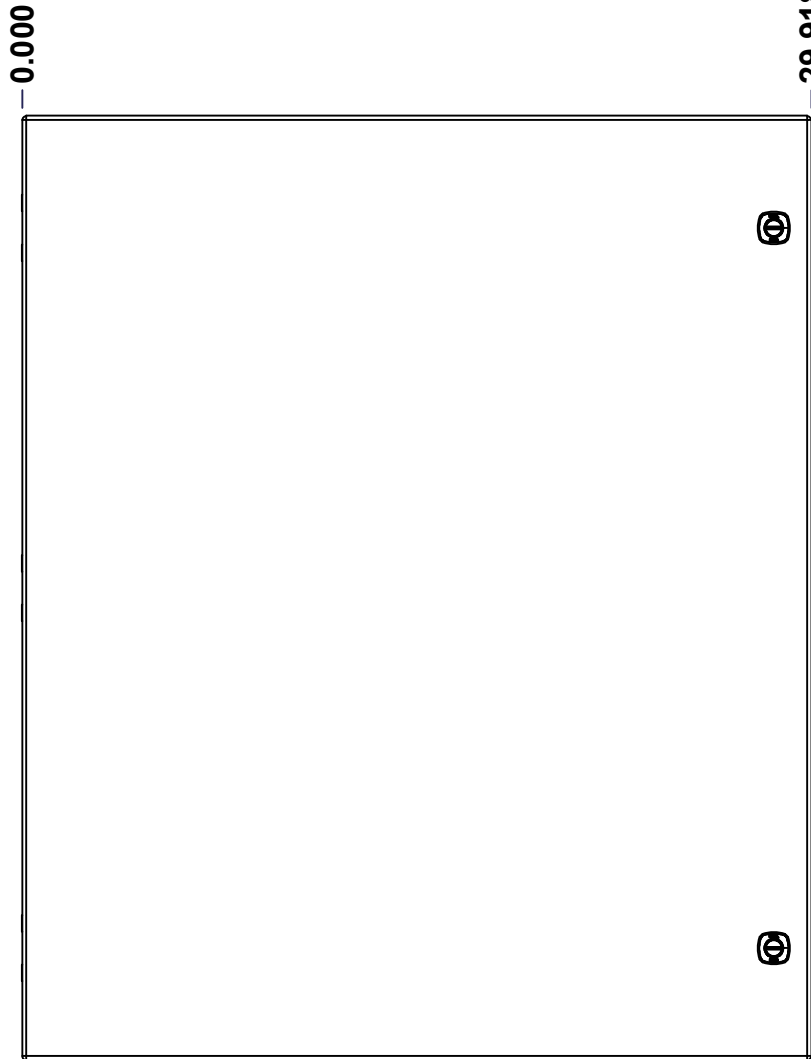
TOP



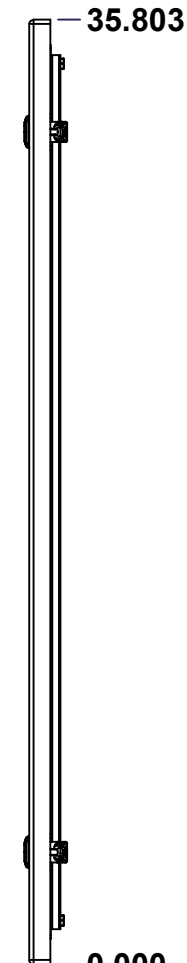
BACK



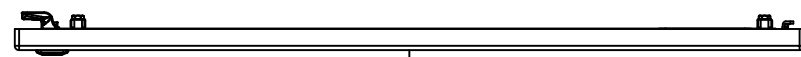
LEFT



FRONT

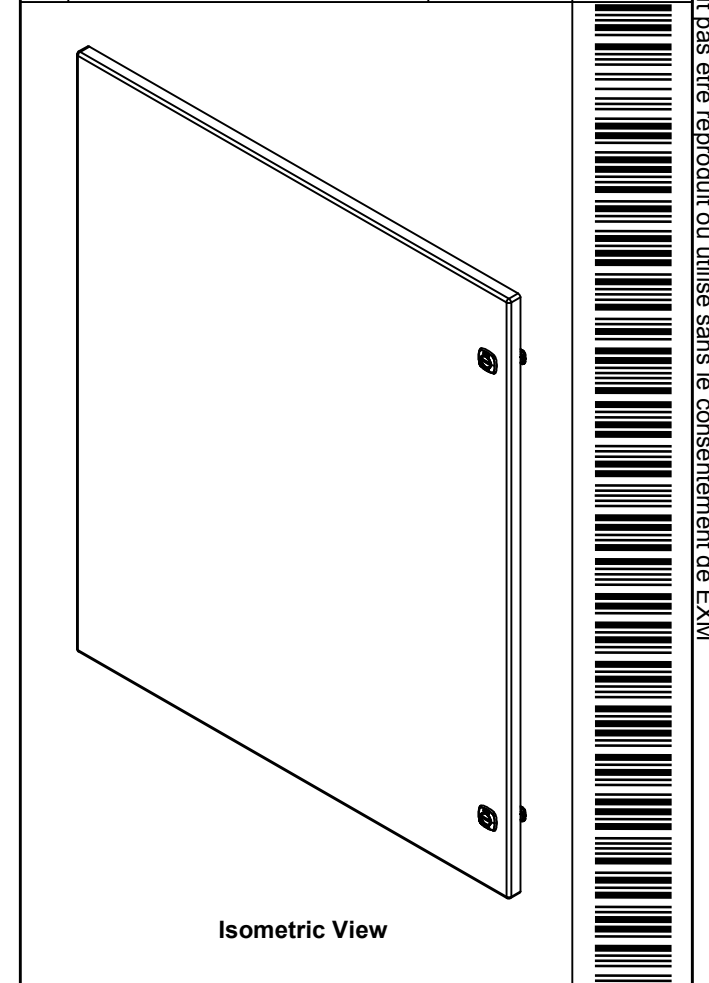


RIGHT



BOTTOM

| No. | Revisions | Date | By/Par |
|-----|-----------|------|--------|
|     |           |      |        |
|     |           |      |        |
|     |           |      |        |
|     |           |      |        |



Isometric View



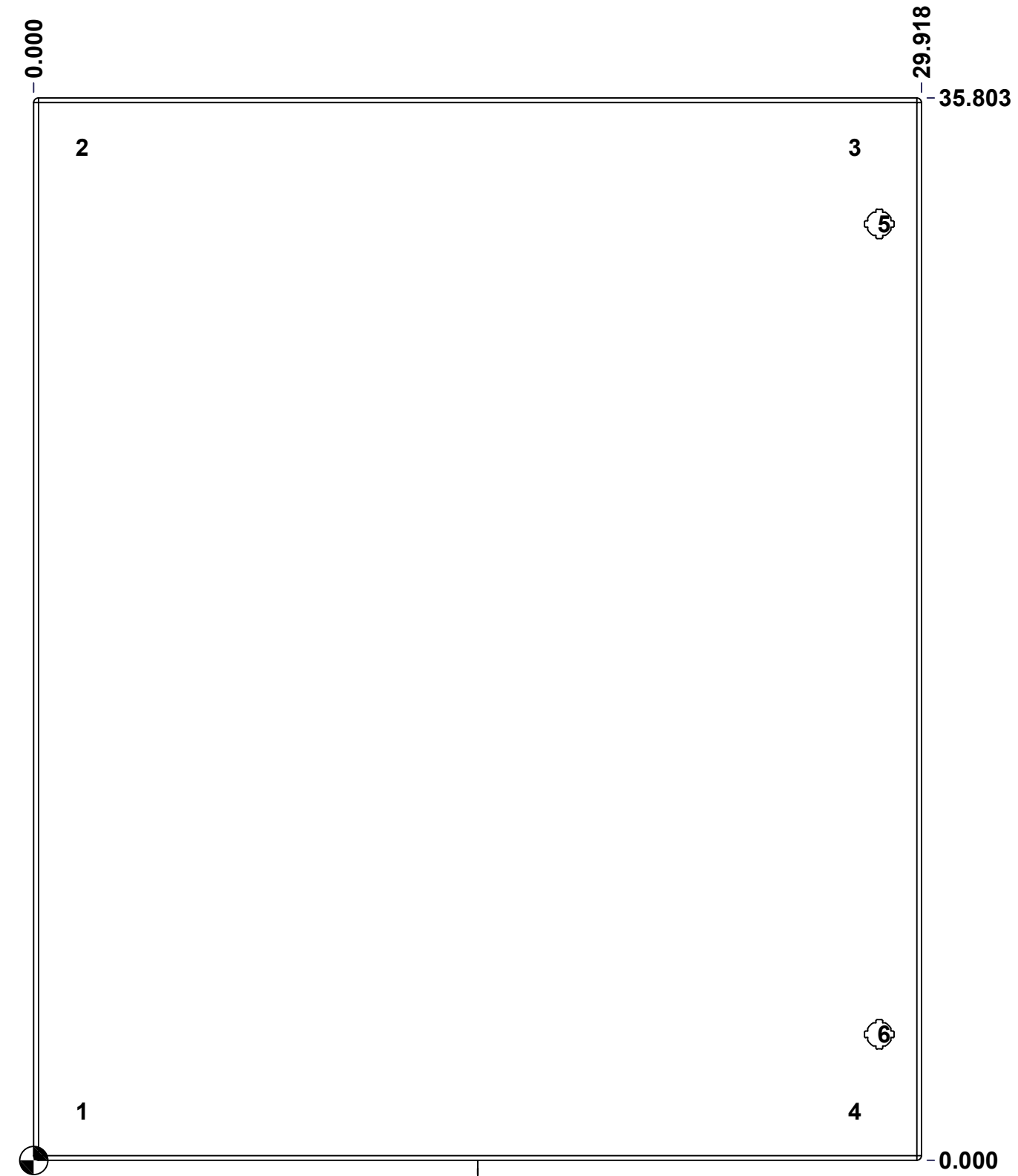
|  |                                   |  |
|--|-----------------------------------|--|
| Tél: (450) 979-4373<br>Fax: (450) 979-4626<br><a href="http://www.exmweb.com">www.exmweb.com</a> |                                   | Flatness<br>Aplatissement<br>Max 3.0mm<br>Projection<br> |
| Customer Client  | Date                              |  |
| Drawn By<br>Dessiné Par  | BoxCad: BoxCad                    | Date 26-May-23   |
| Material<br>Matière  | 14 Ga Stainless Steel 304 (1.7mm) |  |
| Color<br>Couleur   | Unpainted                         | Finish<br>Fini<br>Brushed                                |
| Description  | Detail Rev.                       |  |
| 5412ESS 36" x 30" Cover  |                                   |  |
| Part Number<br>Numéro Pièce  | Rev.                              | 8  |
| SEE BILL OF MATERIAL ON LAST PAGE  | 5412ESS363006THNOIPC              | 0  |



This drawing is confidential and must not be reproduced or used without the consent of EXM

Ce dessin est confidentiel et ne doit pas être reproduit ou utilisé sans le consentement de EXM

| STANDARD FEATURES ARE NOT LISTED IN THIS HOLE TABLE |        |        |                         |
|---|--------|--------|-------------------------|
| HOLE TABLE - FRONT VIEW (CUSTOM FEATURE ONLY)       |        |        |                         |
| CUT-OUT   | XDIM   | YDIM   | DESCRIPTION             |
| 1   | 1.486  | 1.661  | STUD M6 x 18mm (Inside) |
| 2   | 1.486  | 34.142 | STUD M6 x 18mm (Inside) |
| 3   | 27.517 | 34.142 | STUD M6 x 18mm (Inside) |
| 4   | 27.517 | 1.661  | STUD M6 x 18mm (Inside) |
| -----   |        |        |                         |
| 5   | 28.494 | 31.553 | 880 SCQ4-SLSS6          |
| 6   | 28.494 | 4.250  | 880 SCQ4-SLSS6          |



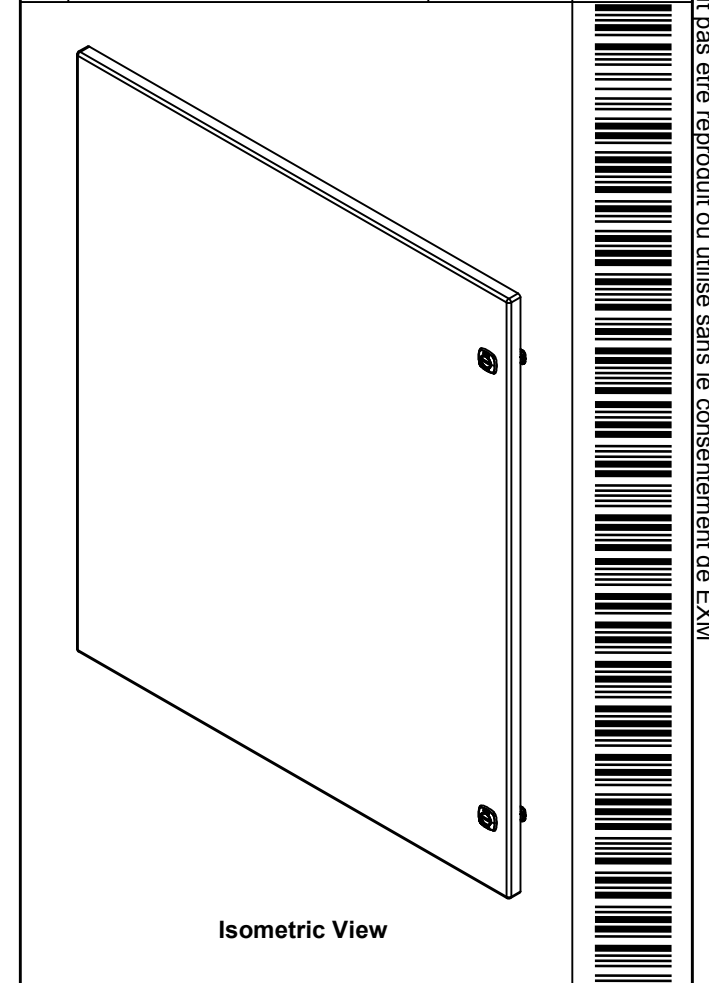
FRONT

|  |                             |          |
|--|-----------------------------|----------|
|  | Description                 | Status   |
|  | 5412ESS 36" x 30" Cover     | (NULL)   |
|  | Part Number<br>Numéro Pièce | Rev.     |
|  | <b>5412ESS363006THNOIPC</b> | <b>0</b> |
|  |                             | 9        |
|  |                             | 16       |


This drawing is confidential and must not be reproduced or used without the consent of EXM

Ce dessin est confidentiel et ne doit pas être reproduit ou utilisé sans le consentement de EXM

| No. | Revisions | Date | By/Par |
|-----|-----------|------|--------|
|     |           |      |        |
|     |           |      |        |
|     |           |      |        |
|     |           |      |        |
|     |           |      |        |

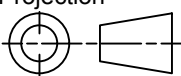


| QTY        | Part Number             | Rev | Description                            |
|------------|-------------------------|-----|--|
| 2          | STK-S-00100             | 0   | 3.5" x 2" Silver Milar Flexcon Sticker |
| 4          | STK-Q-07250             | 2   | M6 x 16mm Collar Nut                   |
| 2          | STK-Q-46020-36          | 5   | 5412 ES Vertical Door Stiffener 36"    |
| 1          | 5412ESS363006THNOIPI-C  | 0   | 5412ESS 36" x 30" Cover Insulation     |
| 4          | STK-Q-16070             | 1   | Stud M6 x 18mm Stainless steel         |
| 1          | 5412ESS363006THNOIP G   | 0   | 5412ESS 36" x 30" Cover Gasket Part    |
| 1          | 5412ESS363006THNOIP C-P | 0   | 5412ESS 36" x 30" Cover Part           |
| 2          | 880 SCQ4-SLSS6          | 7   | 5412 ESS 1/4 Turn Lock                 |
| 3          | STK-A-33016             | 0   | 5412 ESS Bended Hinge (Body Part)      |
| Parts List |                         |     |  |



Tél: (450) 979-4373  
Fax: (450) 979-4626  
[www.exmweb.com](http://www.exmweb.com)

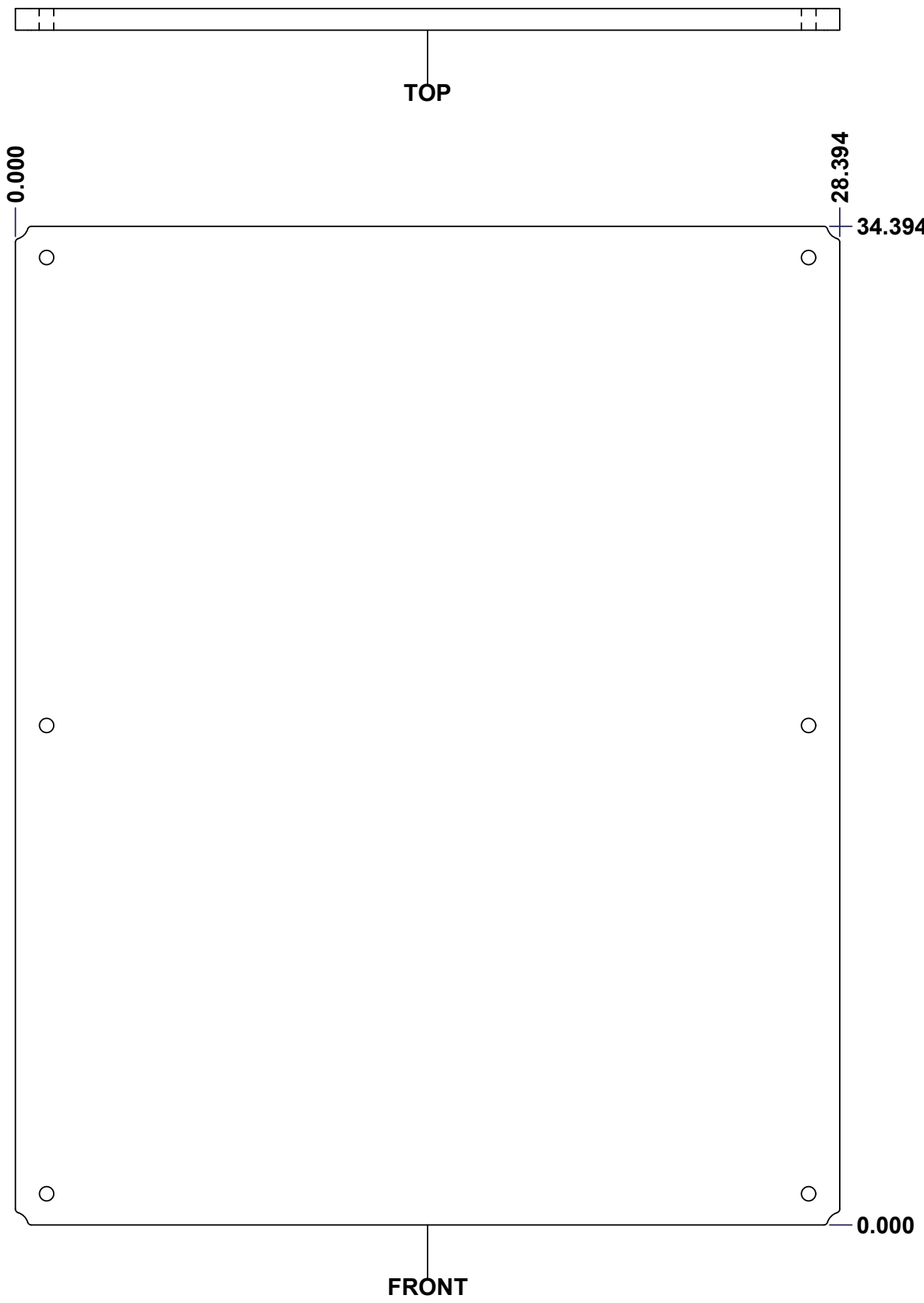
Flatness  
Aplatissement  
Max 3.0mm

Projection  


|   |                        |
|---|------------------------|
| Customer Client   | Date                   |
| Drawn By<br>Dessiné Par BoxCad: BoxCad                  | Date 26-May-23         |
| Material<br>Matière 14 Ga Stainless Steel 304 (1.7mm)   |                        |
| Color<br>Couleur Unpainted                              | Finish<br>Fini Brushed |
| Description<br>5412ESS 36" x 30" Cover                  | Detail Rev.            |
| Part Number<br>Numéro Pièce <b>5412ESS363006THNOIPC</b> | Rev. <b>0</b>          |

This drawing is confidential and must not be reproduced or used without the consent of EXM

Ce dessin est confidentiel et ne doit pas être reproduit ou utilisé sans le consentement de EXM



| No. | Revisions | Date | By/Par |
|-----|-----------|------|--------|
|     |           |      |        |
|     |           |      |        |
|     |           |      |        |
|     |           |      |        |
|     |           |      |        |

**Isometric View**

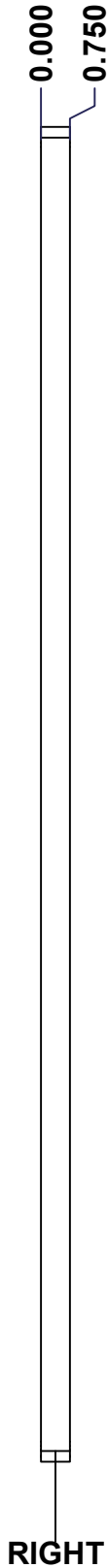
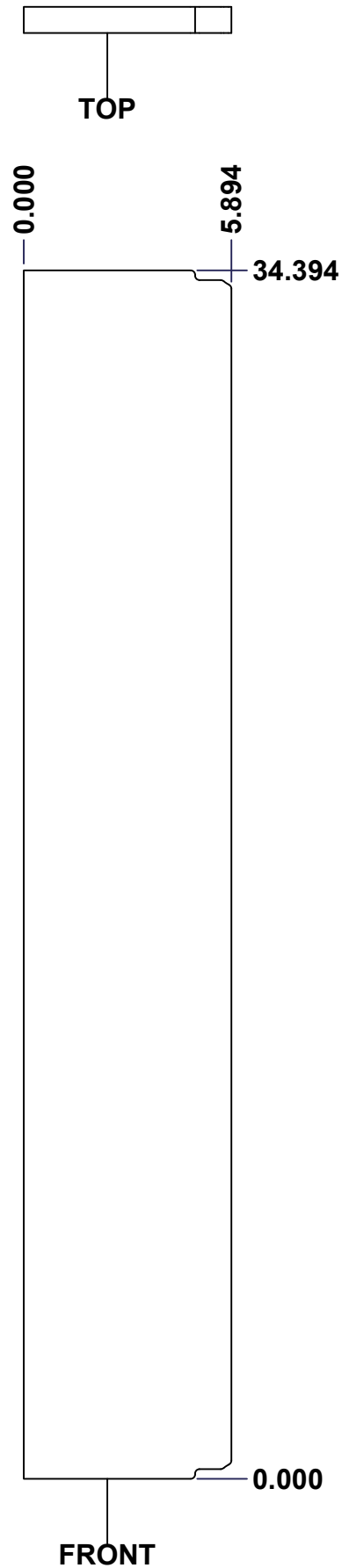
|   |                           |                           |
|---|---------------------------|---------------------------|
| <p>Tél: (450) 979-4373<br/>                 Fax: (450) 979-4626<br/> <a href="http://www.exmweb.com">www.exmweb.com</a></p> |                           | Flatness<br>Aplatissement |
|   |                           | Max 3.0mm                 |
| Projection  |                           |                           |
| Customer<br>Client  | Date                      |                           |
| Drawn By<br>Dessiné Par   | BoxCad: Patrick Deschenes | Date 23-Jan-07            |
| Material<br>Matière   | Polyisocyanurate          |                           |
| Color<br>Couleur  | Aluminum                  | Finish<br>Fini N/A        |
| Description   | Detail Rev.               |                           |
| 5412ESS 36" x 30" Back Insulation   |                           |                           |
| Part Number<br>Numéro Pièce   | Rev. 0                    | 11 / 16                   |

**SEE BILL OF MATERIAL ON LAST PAGE**

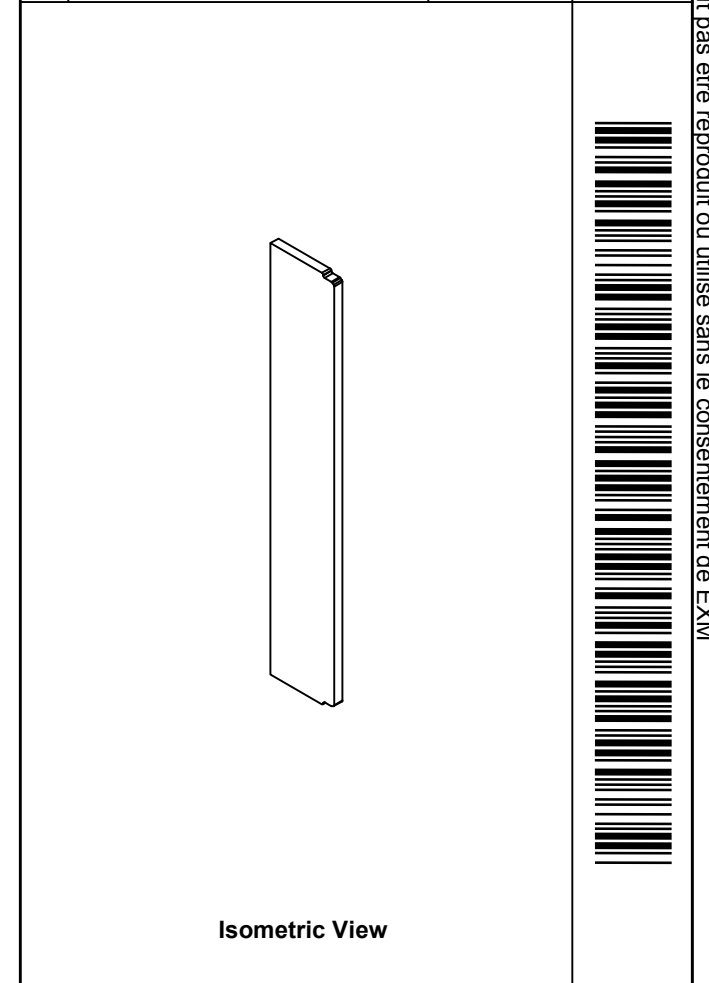
**5412ESS363006THNOIPI-B**


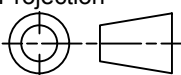
This drawing is confidential and must not be reproduced or used without the consent of EXM

Ce dessin est confidentiel et ne doit pas être reproduit ou utilisé sans le consentement de EXM



| No. | Revisions | Date | By/Par |
|-----|-----------|------|--------|
|     |           |      |        |
|     |           |      |        |
|     |           |      |        |
|     |           |      |        |
|     |           |      |        |

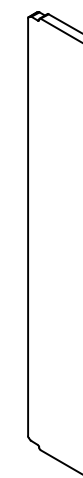
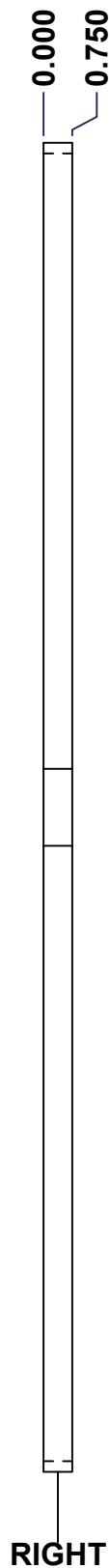
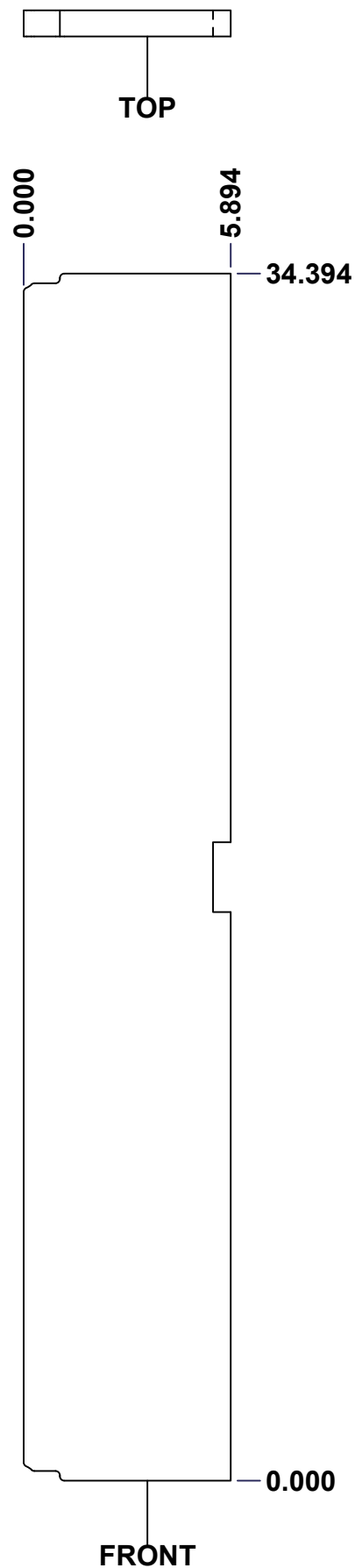


|  |                           |  |
|--|---------------------------|--|
|  Tél: (450) 979-4373<br>Fax: (450) 979-4626<br><a href="http://www.exmweb.com">www.exmweb.com</a> |                           | Flatness<br>Aplatissement<br>Max 3.0mm |
| Projection<br>  |                           | Date<br>23-Jan-07                      |
| Customer<br>Client   | BoxCad: Patrick Deschenes | Date                                   |
| Material<br>Matière  | Polyisocyanurate          |  |
| Color<br>Couleur   | Aluminum                  | Finish<br>Fini N/A                     |
| Description<br>5412ESS 36" x 30" Left Insulation   |                           | Detail Rev.                            |
| Part Number<br>Numéro Pièce  | Rev. 0                    | 12 / 16                                |

SEE BILL OF MATERIAL ON LAST PAGE 5412ESS363006THNOIPI-LS

This drawing is confidential and must not be reproduced or used without the consent of EXM

Ce dessin est confidentiel et ne doit pas être reproduit ou utilisé sans le consentement de EXM



Isometric View



Tél: (450) 979-4373  
 Fax: (450) 979-4626  
[www.exmweb.com](http://www.exmweb.com)

Flatness  
Aplatissement

Max 3.0mm

Projection



Customer Client Date

Drawn By / Dessiné Par: BoxCad: Patrick Deschenes Date: 23-Jan-07

Material / Matière: Polyisocyanurate

Color / Couleur: Aluminum Finish / Fini: N/A

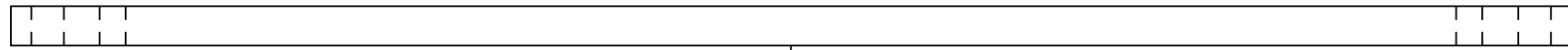
Description: 5412ESS 36" x 30" Right Insulation Detail Rev.

Part Number / Numéro Pièce: 5412ESS363006THNOIPI-RS Rev. 13

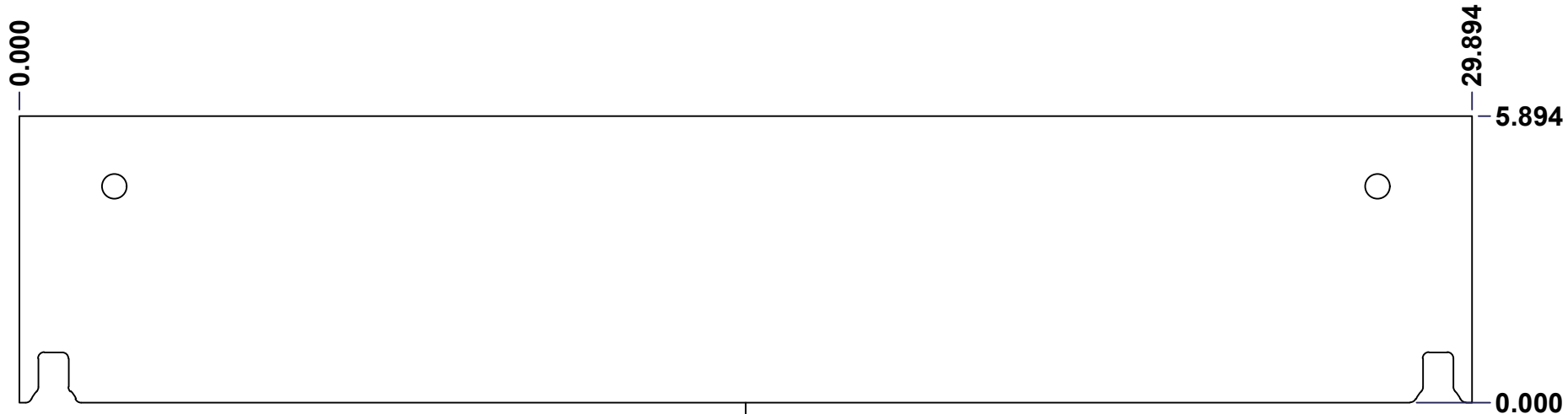
SEE BILL OF MATERIAL ON LAST PAGE 5412ESS363006THNOIPI-RS 0

This drawing is confidential and must not be reproduced or used without the consent of EXM

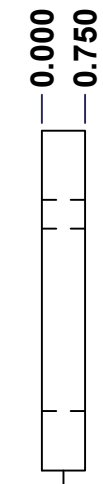
Ce dessin est confidentiel et ne doit pas être reproduit ou utilisé sans le consentement de EXM



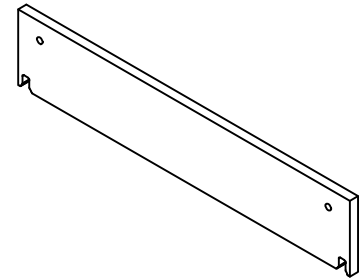
TOP



FRONT



RIGHT



Isometric View

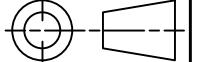


Tél: (450) 979-4373  
 Fax: (450) 979-4626  
[www.exmweb.com](http://www.exmweb.com)

Flatness  
Aplatissement

Max 3.0mm

Projection

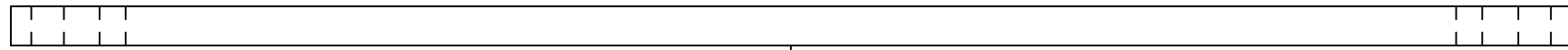


|   |                |
|---|----------------|
| Customer Client                             | Date           |
| Drawn By<br>Dessiné Par                     | Date           |
| BoxCad: Patrick Deschenes 23-Jan-07         |                |
| Material<br>Matière                         |                |
| Polyisocyanurate                            |                |
| Color<br>Couleur                            | Finish<br>Fini |
| Aluminum                                    | N/A            |
| Description                                 | Detail Rev.    |
| 5412ESS 36" x 30" Top and Bottom Insulation |                |
| Part Number<br>Numéro Pièce                 | Rev.           |
| 5412ESS363006THNOIPI-TP                     | 14             |
| 0   | 16             |

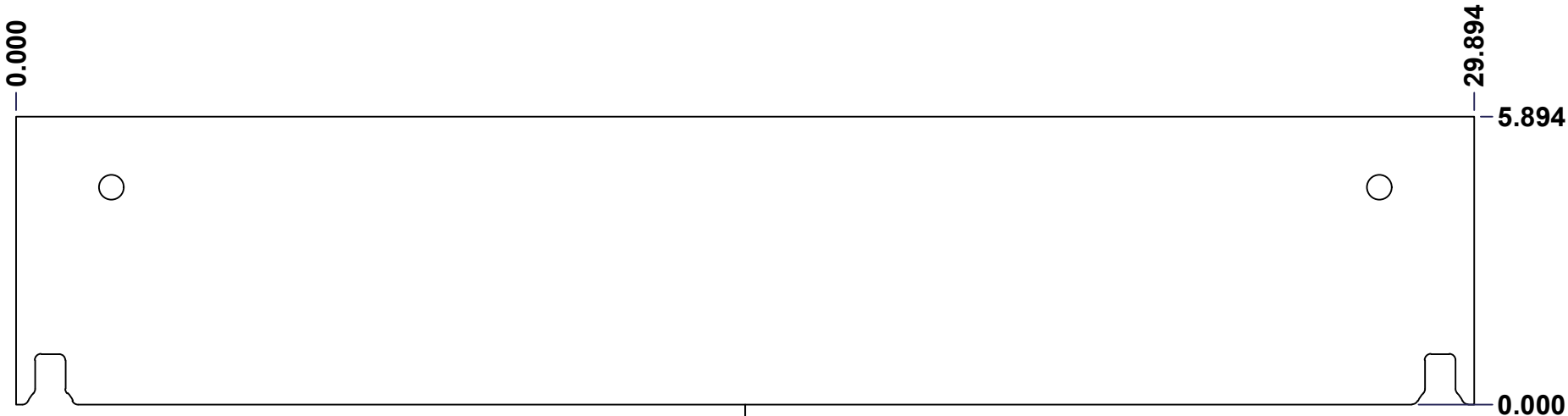
SEE BILL OF MATERIAL ON LAST PAGE

This drawing is confidential and must not be reproduced or used without the consent of EXM

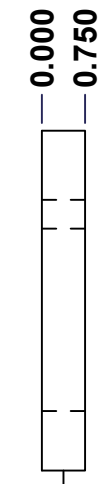
Ce dessin est confidentiel et ne doit pas être reproduit ou utilisé sans le consentement de EXM



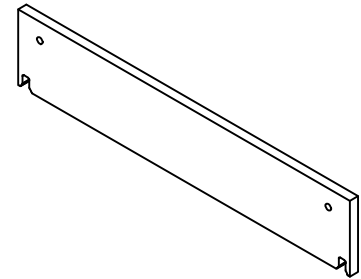
TOP



FRONT



RIGHT



Isometric View

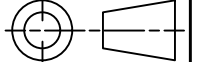


Tél: (450) 979-4373  
 Fax: (450) 979-4626  
[www.exmweb.com](http://www.exmweb.com)

Flatness  
Aplatissement

Max 3.0mm

Projection



Customer Client

Date

Drawn By / Dessiné Par: BoxCad: Patrick Deschenes

Date: 23-Jan-07

Material / Matière: Polyisocyanurate

Color / Couleur: Aluminum

Finish / Fini: N/A

Description: 5412ESS 36" x 30" Top and Bottom Insulation

Detail Rev.

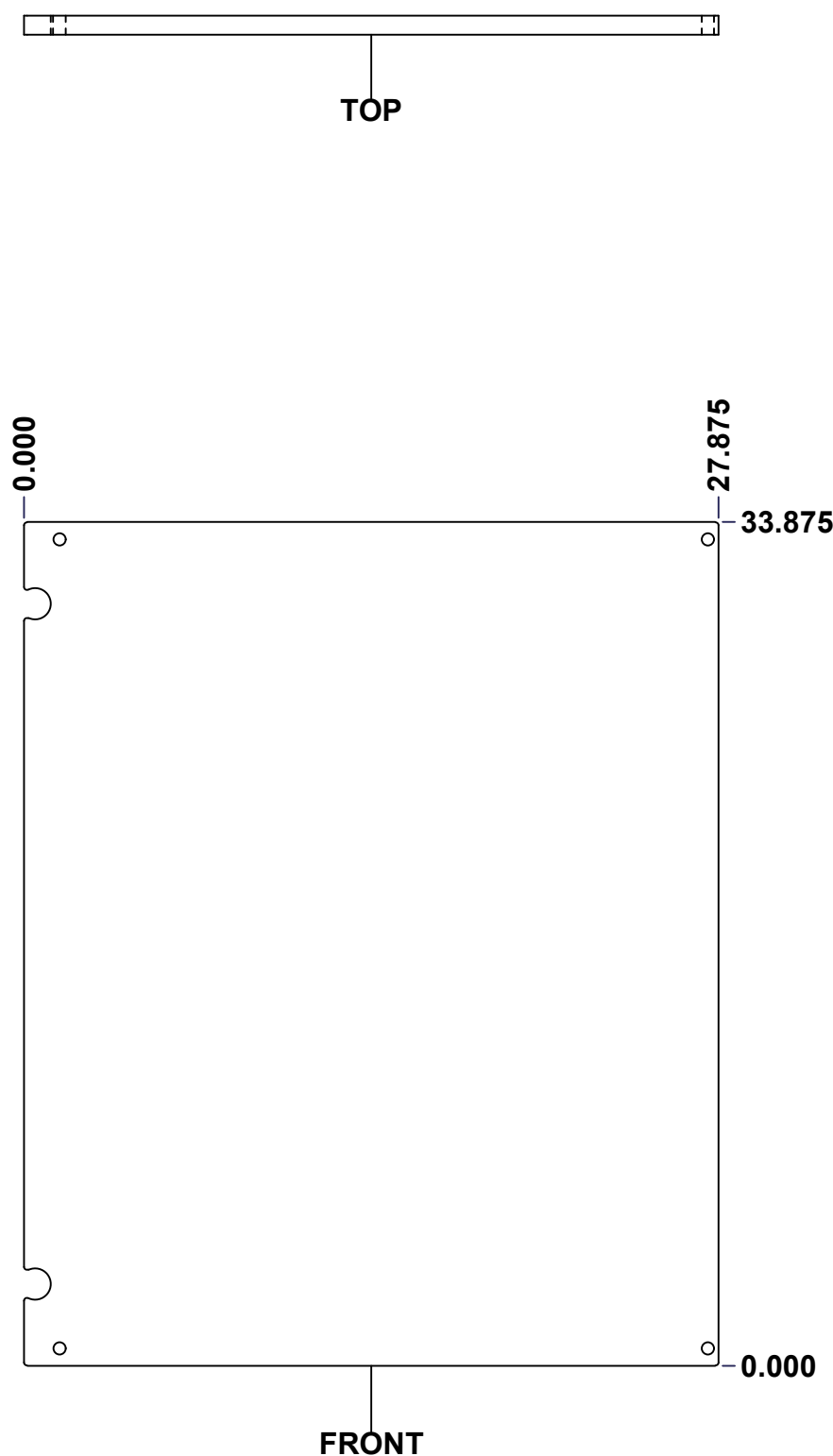
Part Number / Numéro Pièce

Rev. 15

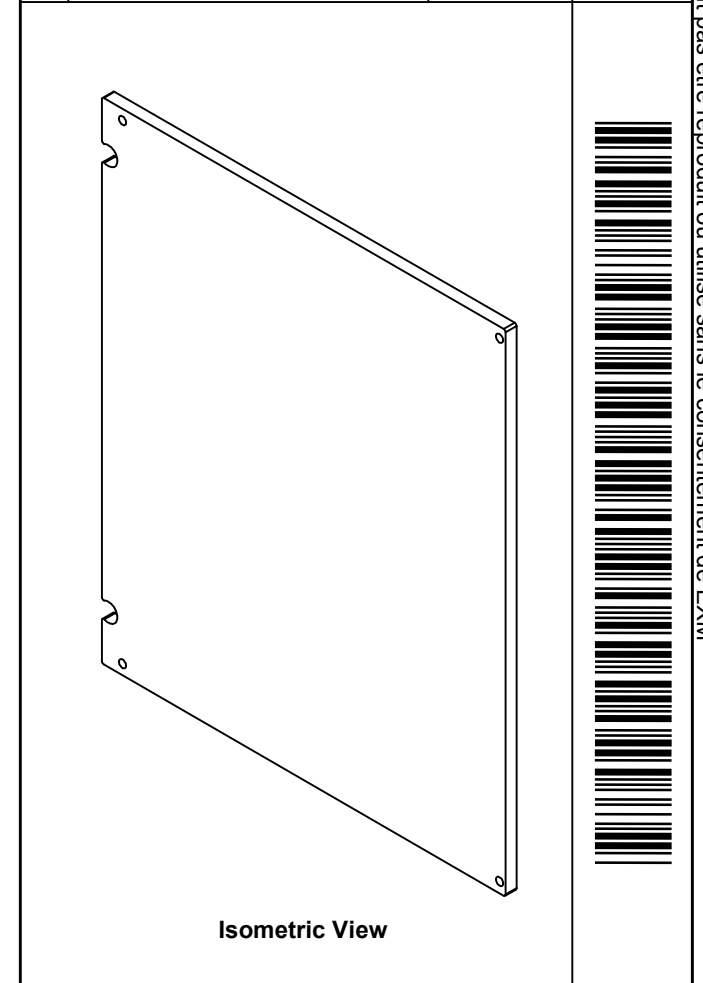
SEE BILL OF MATERIAL ON LAST PAGE 5412ESS363006THNOIPI-BT 0 16


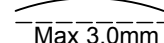
This drawing is confidential and must not be reproduced or used without the consent of EXM

Ce dessin est confidentiel et ne doit pas être reproduit ou utilisé sans le consentement de EXM



| No. | Revisions | Date | By/Par |
|-----|-----------|------|--------|
|     |           |      |        |
|     |           |      |        |
|     |           |      |        |
|     |           |      |        |



|  |                    |   |
|--|--------------------|---|
|  Tél: (450) 979-4373<br>Fax: (450) 979-4626<br><a href="http://www.exmweb.com">www.exmweb.com</a> |                    | Flatness<br>Aplatissement<br><br>Max 3.0mm |
| Customer Client  |                    | Date  |
| Drawn By<br>Dessiné Par BoxCad: Patrick Deschenes  |                    | Date 23-Jan-07  |
| Material<br>Matière Polyisocyanurate   |                    |   |
| Color<br>Couleur Aluminum  | Finish<br>Fini N/A |   |
| Description<br>5412ESS 36" x 30" Cover Insulation  |                    | Detail Rev.   |
| Part Number<br>Numéro Pièce 5412ESS363006THNOIP-C  |                    | Rev. 16<br>0  |

SEE BILL OF MATERIAL ON LAST PAGE