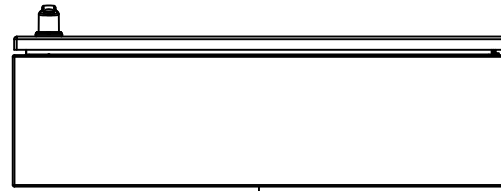
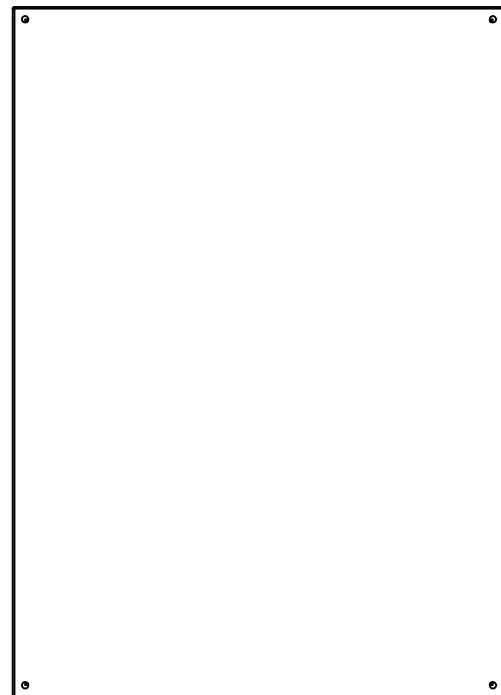


This drawing is confidential and must not be reproduced or used without the consent of EXM

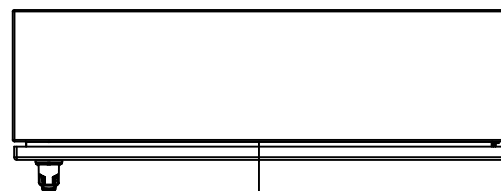
Ce dessin est confidentiel et ne doit pas être reproduit ou utilisé sans le consentement de EXM



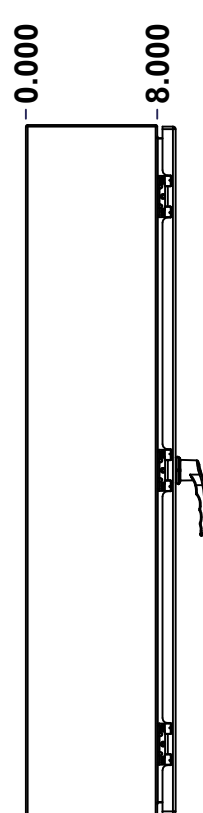
TOP



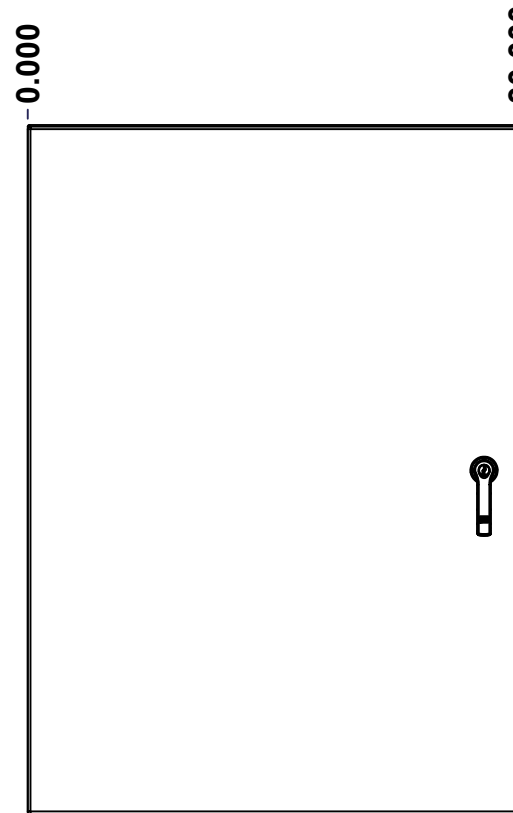
BACK



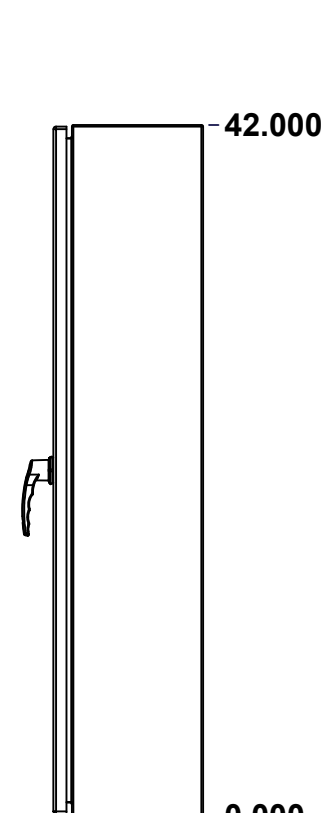
BOTTOM



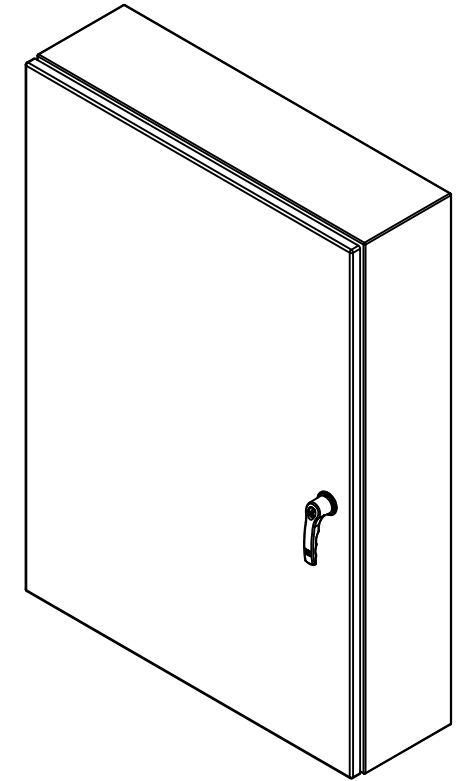
LEFT



FRONT



RIGHT




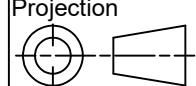
Isometric View



**GRAIN DIRECTION:
TOP/BOTTOM: HORIZONTAL
LEFT/RIGHT/BACK/FRONT: VERTICAL**

SEE BILL OF MATERIAL ON LAST PAGE

| No. | Revisions | Date | By/Par |
|-----|-----------|------|--------|
| | | | |
| | | | |
| | | | |
| | | | |
| | | | |

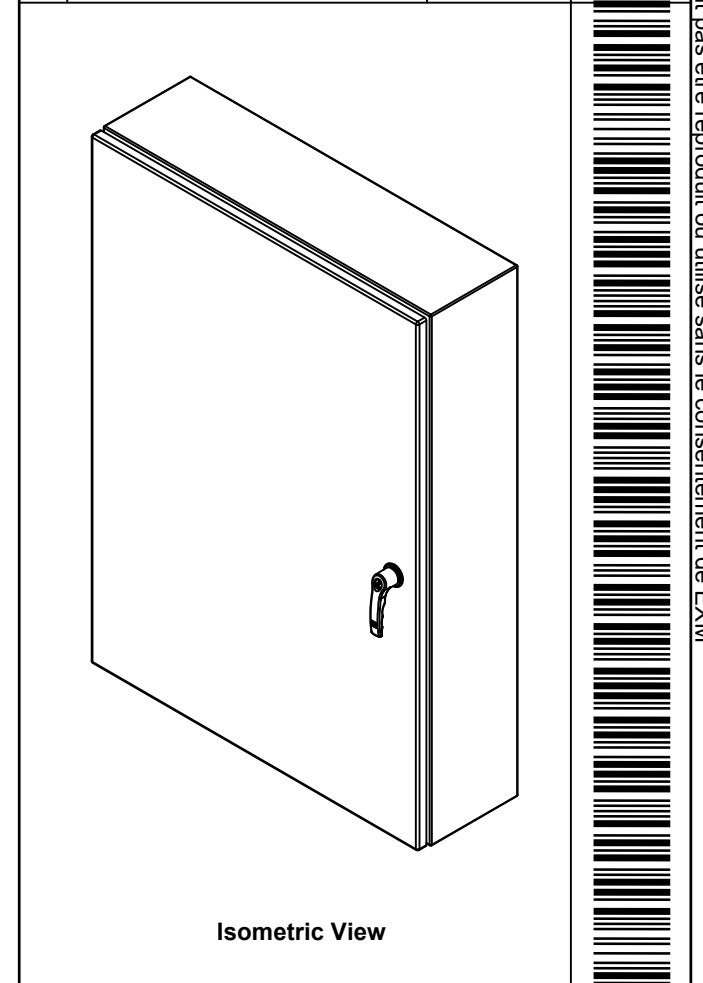
| | | |
|----------------------------------------------------------------------------------------------------------------------------------------------------------------------------------------|-----------------------------------|-----------------------------------------------------------------------------------------------------------------------------------------------|
|  Tél: (450) 979-4373 Fax: (450) 979-4626 www.exmweb.com | | Flatness Aplatissement Max 3.0mm Projection  |
| Customer Client | Date | Date |
| Drawn By Dessiné Par | BoxCad: BoxCad | 5/9/2022 |
| Material Matière | 14 Ga Stainless Steel 316 (1.7mm) | |
| Color Couleur | Unpainted | Finish Fini Brushed |
| Description | Detail Rev. | |
| 5412ESS 42" x 30" x 8" Assembly | | |
| Part Number Numéro Pièce | Rev. | 1 |
| 5412ESS4230086NOIP | 0 | 2 |

This drawing is confidential and must not be reproduced or used without the consent of EXM

Ce dessin est confidentiel et ne doit pas être reproduit ou utilisé sans le consentement de EXM

| NOTE | |
|------|--------------------------------------------|
| ITEM | DESCRIPTION |
| 1 | NEMA 4X Enclosure |
| 2 | C/W Standard ground studs on box and cover |
| 3 | C/W Standard door stiffener |
| 4 | W/O Inner panel |
| 5 | C/W Standard inner panel mounting studs |

| No. | Revisions | Date | By/Par |
|-----|-----------|------|--------|
| | | | |
| | | | |
| | | | |
| | | | |
| | | | |
| | | | |



| PACKING | | |
|-----------------------|-----|------------------------------------------------|
| ITEM | QTY | DESCRIPTION |
| Cardboard sleeve | 2 | Top and Bottom |
| Cardboard strip | 2 | Between back of enclosure and inner panel |
| Plastic bag | 1 | To protect cover surface and inside gasket |
| Cardboard corner | 4 | To reinforced for the plastic strap tightening |
| Plastic strap - Black | 2 | To Squeeze the 2 cardboard sleeve together |
| Packaging label | 3 | White label with PN |
| Plastic strap- Green | 2 | To secure the enclosure to the wood pallet |
| Wood Pallet | 1 | 2" deeper and 3" larger than enclosure size |

| | | | |
|------------|---------------------|-----|------------------------------------------------------------------------|
| 1 | 880 PP | 6 | Self Adhesive Print Pocket |
| 1 | STK-K-01800 | 5 | 5412 ES Accessory Kit |
| 1 | 5412ESS4230086NOIPC | 0 | 5412ESS 42" x 30" Cover |
| 1 | 5412ESS4230086NOIPB | 0 | 5412ESS 42" x 30" x 8" Body |
| 3 | STK-Q-04051-07 | 8 | M6 x 7mm Stainless Steel Hexagon Socket Head Machine Screw with Nyseal |
| Qty | Part Number | Rev | Description |
| Parts List | | | |

| | | | | |
|----------------------------------------|--|--------------------------------------------------------------------------------------------------|---------------------|------------------------------------------------------|
| | | Tél: (450) 979-4373 Fax: (450) 979-4626 www.exmweb.com | | Flatness Aplatissement Max 3.0mm Projection |
| Customer Client | | Date | | |
| Drawn By Dessiné Par BoxCad: BoxCad | | Date 5/9/2022 | | |
| Material Matière | | 14 Ga Stainless Steel 316 (1.7mm) | | |
| Color Couleur | | Unpainted | Finish Fini Brushed | |
| Description | | | | Detail Rev. |
| 5412ESS 42" x 30" x 8" Assembly | | | | |
| Part Number Numéro Pièce | | 5412ESS4230086NOIP | Rev. 0 | 2 |

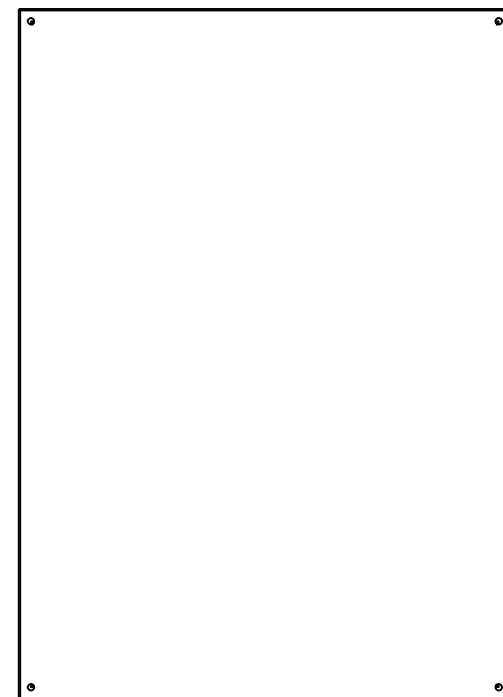
This drawing is confidential and must not be reproduced or used without the consent of EXM

Ce dessin est confidentiel et ne doit pas être reproduit ou utilisé sans le consentement de EXM

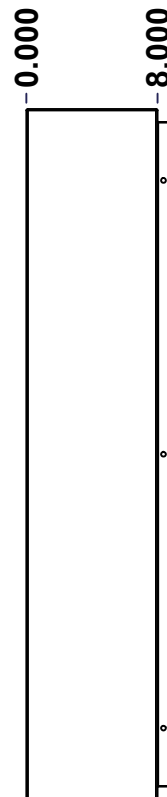
| No. | Revisions | Date | By/Par |
|-----|-----------|------|--------|
| | | | |
| | | | |
| | | | |
| | | | |
| | | | |



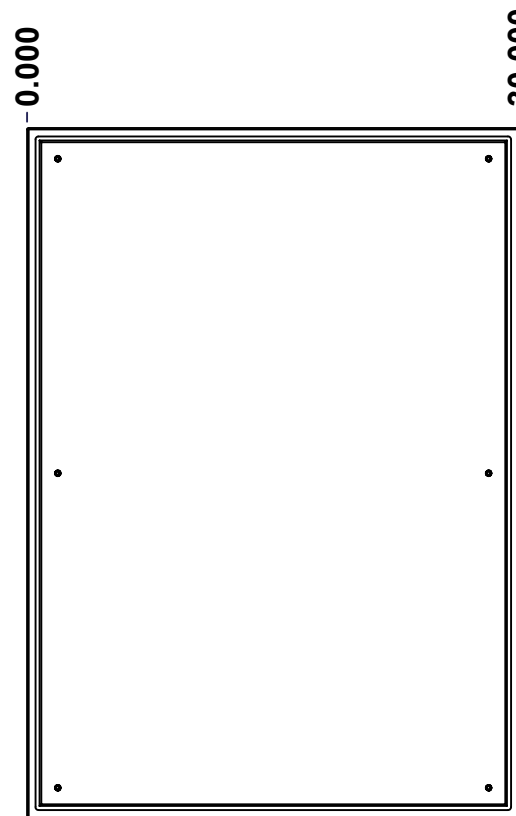
TOP



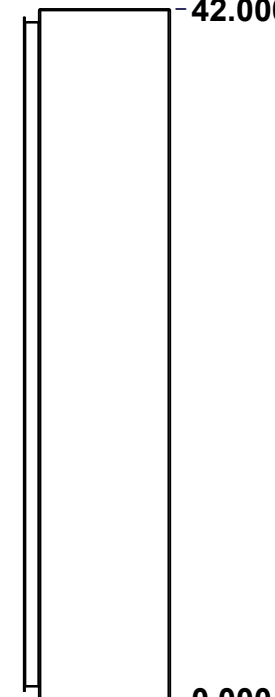
BACK



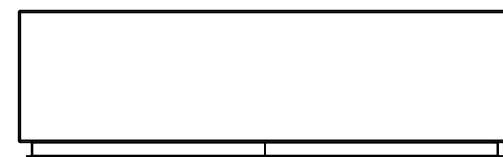
LEFT



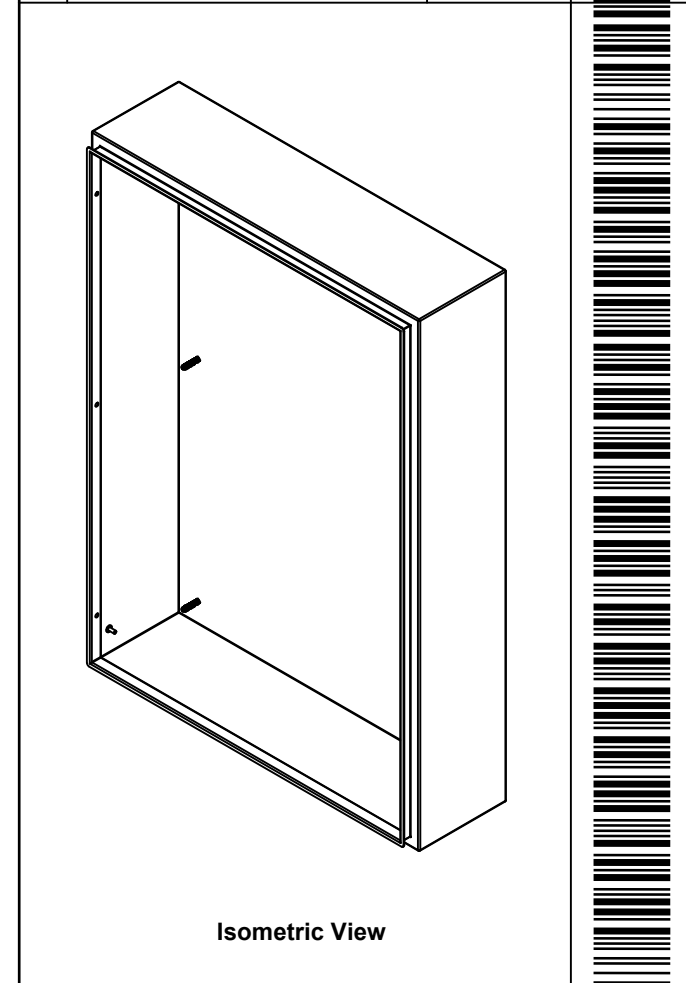
FRONT



RIGHT


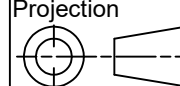


BOTTOM



Isometric View



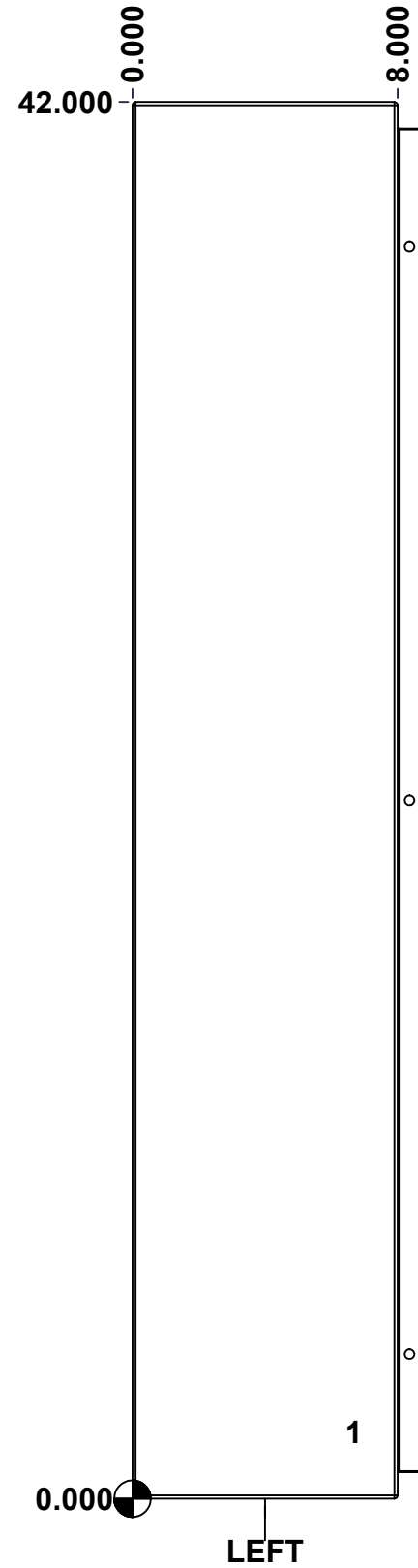
| | | |
|----------------------------------------------------------------------------------------------------------------------------------------------------------------------------------------|-----------------------------------|-----------------------------------------------------------------------------------------------------------------------------------------------|
|  Tél: (450) 979-4373 Fax: (450) 979-4626 www.exmweb.com | | Flatness Aplatissement Max 3.0mm Projection  |
| Customer Client | Date | |
| Drawn By Dessiné Par | BoxCad: BoxCad | Date 5/9/2022 |
| Material Matière | 14 Ga Stainless Steel 316 (1.7mm) | |
| Color Couleur | Unpainted | Finish Fini Brushed |
| Description | Detail Rev. | |
| 5412ESS 42" x 30" x 8" Body | | |
| Part Number Numéro Pièce | Rev. 0 | 1 / 7 |
| 5412ESS4230086NOIPB | | |

SEE BILL OF MATERIAL ON LAST PAGE

This drawing is confidential and must not be reproduced or used without the consent of EXM

Ce dessin est confidentiel et ne doit pas être reproduit ou utilisé sans le consentement de EXM

| STANDARD FEATURES ARE NOT LISTED IN THIS HOLE TABLE | | | |
|------------------------------------------------------------|-------|-------|-----------------------------|
| HOLE TABLE - LEFT VIEW (CUSTOM FEATURE ONLY) | | | |
| CUT-OUT | XDIM | YDIM | DESCRIPTION |
| 1 | 6.500 | 2.000 | GND STUD M6 x 16mm (Inside) |



| | | | |
|--|-----------------------------|----------|-------|
| | Description | Status | |
| | 5412ESS 42" x 30" x 8" Body | | |
| | Part Number Numéro Pièce | Rev. | |
| | 5412ESS4230086NOIPB | 0 | 5 / 7 |

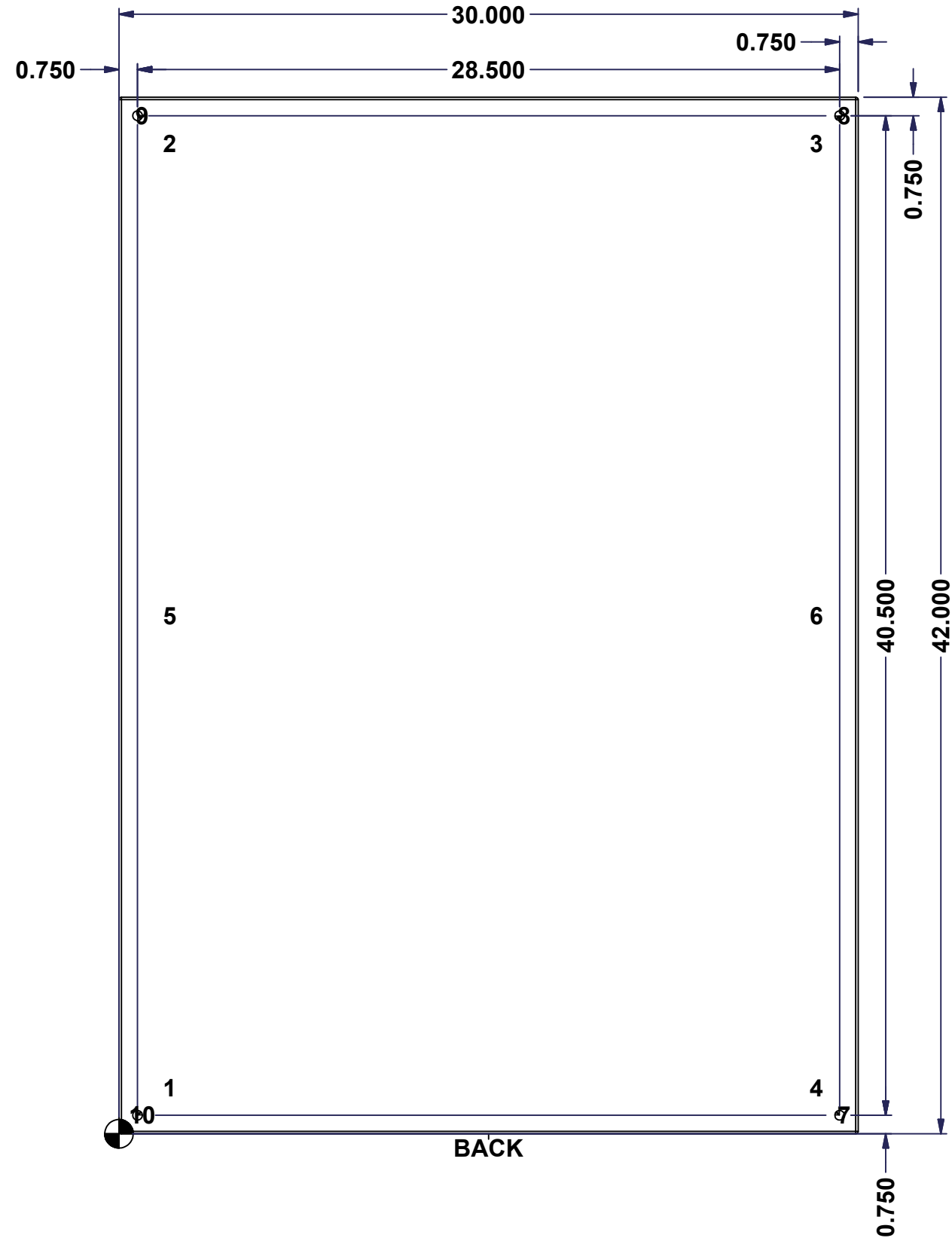
This drawing is confidential and must not be reproduced or used without the consent of EXM

Ce dessin est confidentiel et ne doit pas être reproduit ou utilisé sans le consentement de EXM

STANDARD FEATURES ARE NOT LISTED IN THIS HOLE TABLE

HOLE TABLE - BACK VIEW (CUSTOM FEATURE ONLY)

| CUT-OUT | XDIM | YDIM | DESCRIPTION |
|---------|--------|--------|----------------------------|
| 1 | 1.875 | 1.875 | IP STUD M8 x 35mm (Inside) |
| 2 | 1.875 | 40.125 | IP STUD M8 x 35mm (Inside) |
| 3 | 28.125 | 40.125 | IP STUD M8 x 35mm (Inside) |
| 4 | 28.125 | 1.875 | IP STUD M8 x 35mm (Inside) |
| 5 | 1.875 | 21.000 | IP STUD M8 x 35mm (Inside) |
| 6 | 28.125 | 21.000 | IP STUD M8 x 35mm (Inside) |
| ----- | | | |
| 7 | 29.250 | 0.750 | RND Ø0.390 |
| 8 | 29.250 | 41.250 | RND Ø0.390 |
| 9 | 0.750 | 41.250 | RND Ø0.390 |
| 10 | 0.750 | 0.750 | RND Ø0.390 |

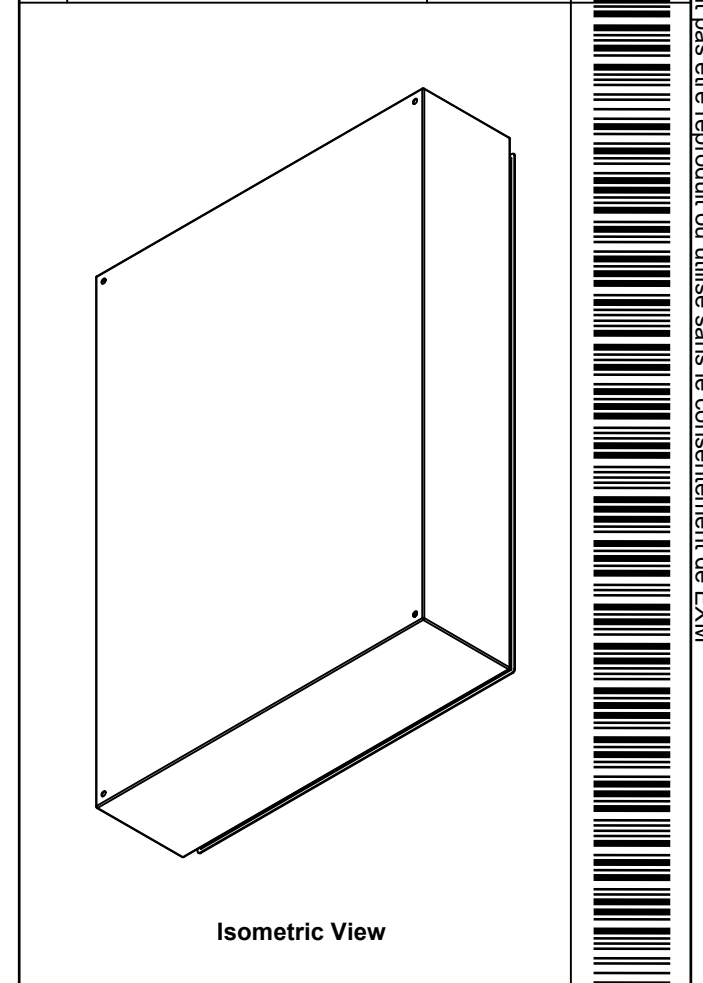



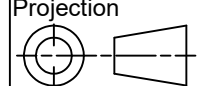
| | | | |
|--|-----------------------------|----------|--------|
| | Description | Status | |
| | 5412ESS 42" x 30" x 8" Body | | |
| | Part Number Numéro Pièce | Rev. | |
| | 5412ESS4230086NOIPB | 0 | 6 7 |

This drawing is confidential and must not be reproduced or used without the consent of EXM

Ce dessin est confidentiel et ne doit pas être reproduit ou utilisé sans le consentement de EXM

| No. | Revisions | Date | By/Par |
|-----|-----------|------|--------|
| | | | |
| | | | |
| | | | |
| | | | |
| | | | |

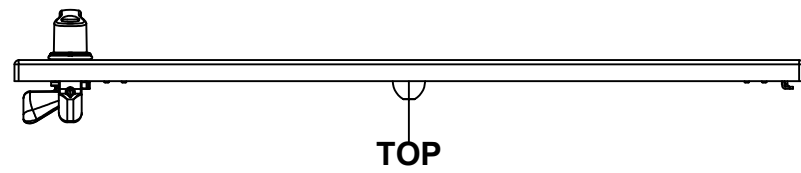


| | | |
|----------------------------------------------------------------------------------------------------------------------------------------------------------------------------------------|-----------------------------------|-----------------------------------------------------------------------------------------------------------------------------------------------|
|  Tél: (450) 979-4373 Fax: (450) 979-4626 www.exmweb.com | | Flatness Aplatissement Max 3.0mm Projection  |
| Customer Client | Date | |
| Drawn By Dessiné Par | BoxCad: BoxCad | Date 5/9/2022 |
| Material Matière | 14 Ga Stainless Steel 316 (1.7mm) | |
| Color Couleur | Unpainted | Finish Fini Brushed |
| Description | | Detail Rev. |
| 5412ESS 42" x 30" x 8" Body | | |
| Part Number Numéro Pièce | Rev. | 7 |
| 5412ESS4230086NOIPB | 0 | 7 |

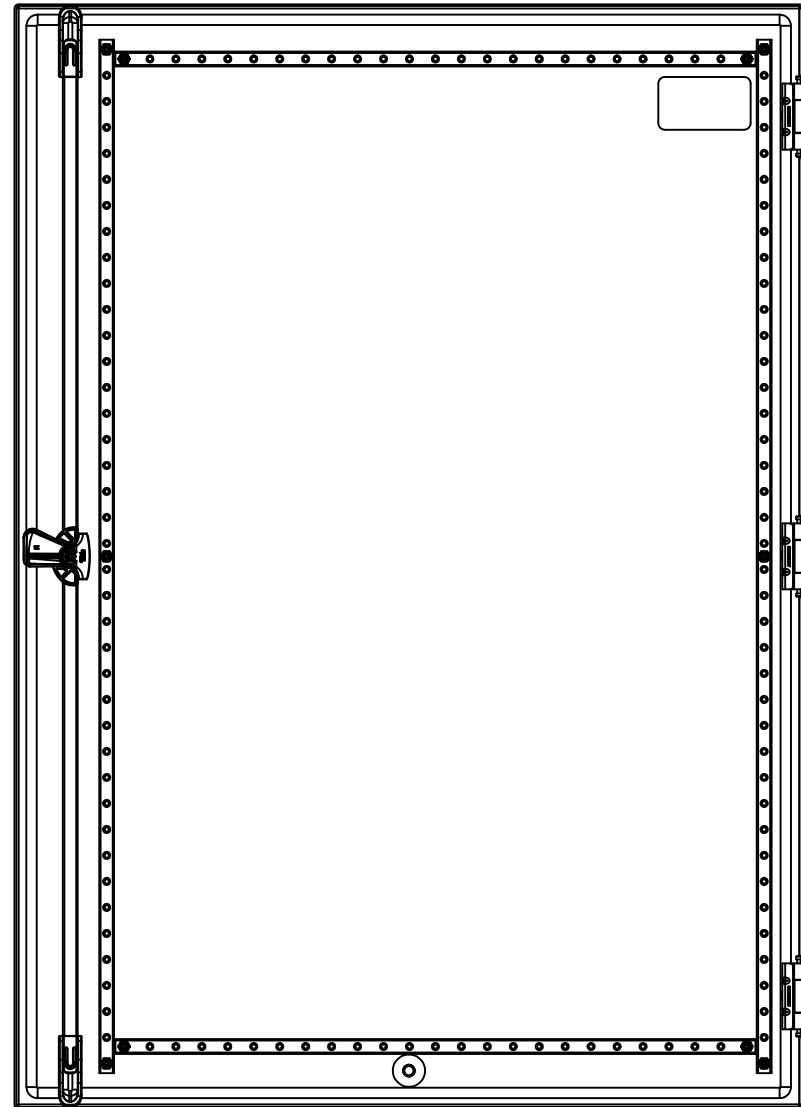
| Qty | Part Number | Rev | Description |
|------------|-----------------------|-----|---------------------------------------|
| 1 | STK-Q-16085 | 0 | Ground Stud M6 x 16mm Stainless Steel |
| 6 | STK-Q-16020 | 1 | Stud M8 x 35mm Stainless Steel |
| 1 | 5412ESS4230086NOIPB-P | 0 | 5412ESS 42" x 30" x 8" Body Part |
| Parts List | | | |

This drawing is confidential and must not be reproduced or used without the consent of EXM

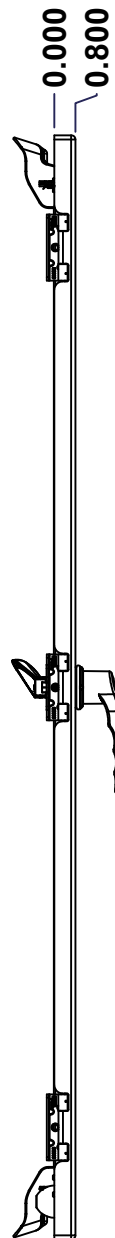
Ce dessin est confidentiel et ne doit pas être reproduit ou utilisé sans le consentement de EXM



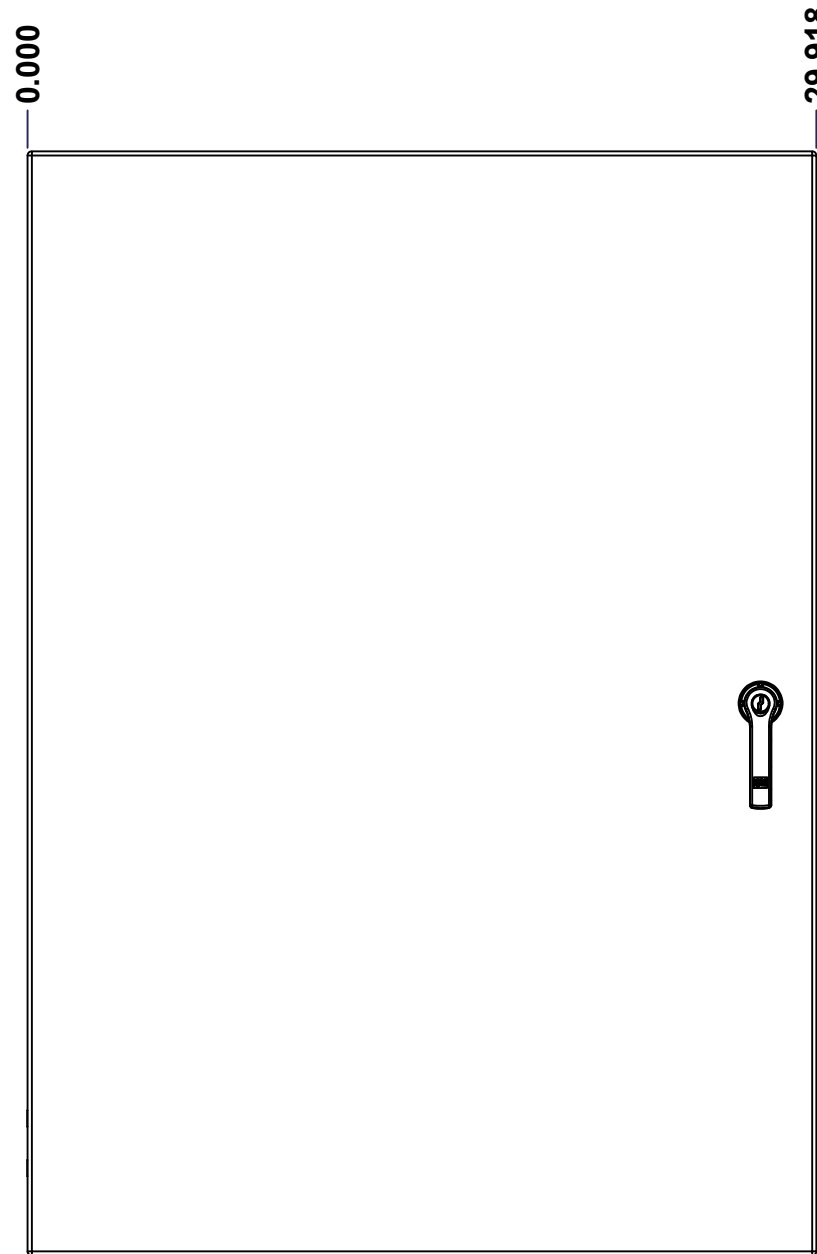
TOP



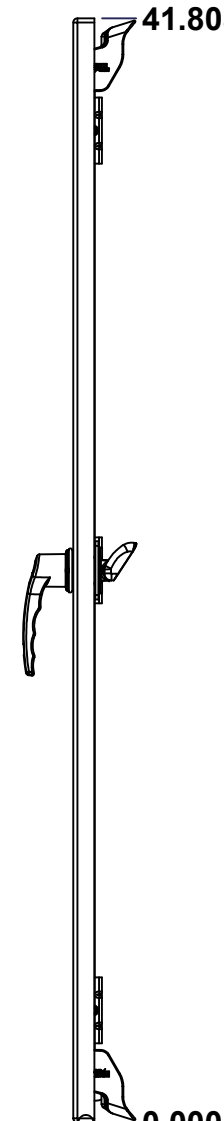
BACK



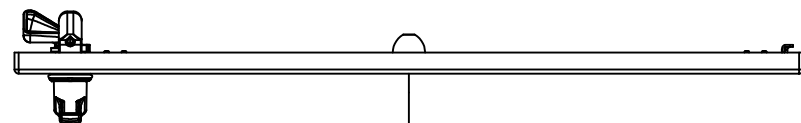
LEFT



FRONT



RIGHT



BOTTOM

0.000
0.800

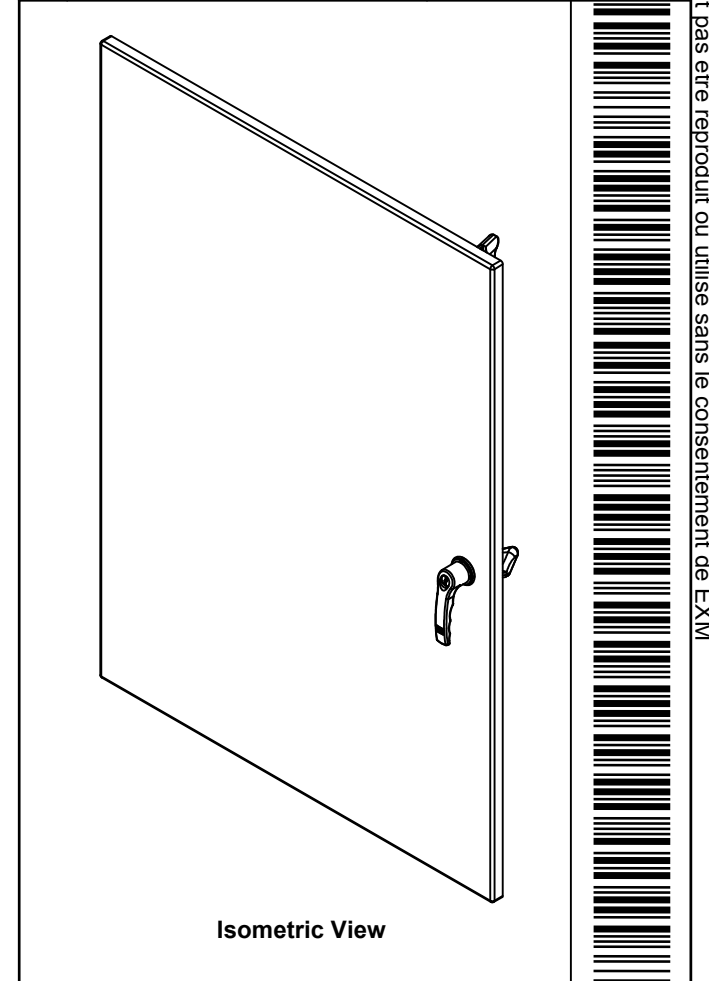
0.000

29.918

41.803


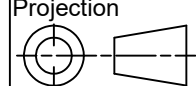
0.000

| No. | Revisions | Date | By/Par |
|-----|-----------|------|--------|
| | | | |
| | | | |
| | | | |
| | | | |
| | | | |



Isometric View



| | | |
|----------------------------------------------------------------------------------------------------------------------------------------------------------------------------------------|-----------------------------------|-----------------------------------------------------------------------------------------------------------------------------------------------|
|  Tél: (450) 979-4373 Fax: (450) 979-4626 www.exmweb.com | | Flatness Aplatissement Max 3.0mm Projection  |
| Customer Client | Date | |
| Drawn By Dessiné Par | BoxCad: BoxCad | Date 5/9/2022 |
| Material Matière | 14 Ga Stainless Steel 316 (1.7mm) | |
| Color Couleur | Unpainted | Finish Fini Brushed |
| Description | Detail Rev. | |
| 5412ESS 42" x 30" Cover | | |
| Part Number Numéro Pièce | Rev. 0 | 1 3 |

SEE BILL OF MATERIAL ON LAST PAGE **5412ESS4230086NOIPC**

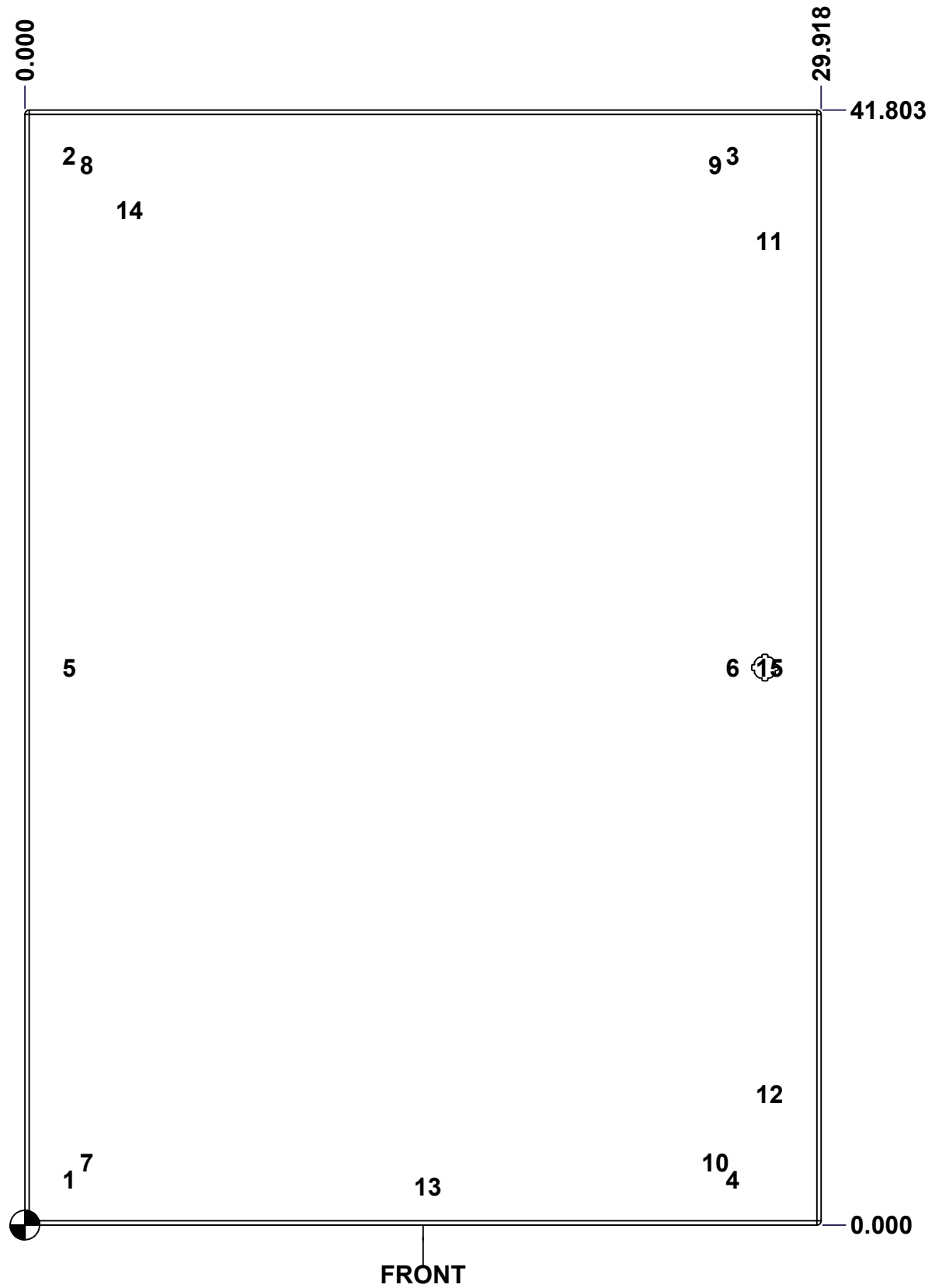
This drawing is confidential and must not be reproduced or used without the consent of EXM

Ce dessin est confidentiel et ne doit pas être reproduit ou utilisé sans le consentement de EXM

STANDARD FEATURES ARE NOT LISTED IN THIS HOLE TABLE

HOLE TABLE - FRONT VIEW (CUSTOM FEATURE ONLY)

| CUT-OUT | XDIM | YDIM | DESCRIPTION |
|---------|--------|--------|-----------------------------|
| 1 | 1.486 | 1.709 | STUD M6 x 18mm (Inside) |
| 2 | 1.486 | 40.094 | STUD M6 x 18mm (Inside) |
| 3 | 26.423 | 40.094 | STUD M6 x 18mm (Inside) |
| 4 | 26.423 | 1.709 | STUD M6 x 18mm (Inside) |
| 5 | 1.486 | 20.902 | STUD M6 x 18mm (Inside) |
| 6 | 26.423 | 20.902 | STUD M6 x 18mm (Inside) |
| 7 | 2.143 | 2.350 | STUD M6 x 18mm (Inside) |
| 8 | 2.143 | 39.733 | STUD M6 x 18mm (Inside) |
| 9 | 25.766 | 39.733 | STUD M6 x 18mm (Inside) |
| 10 | 25.766 | 2.350 | STUD M6 x 18mm (Inside) |
| 11 | 27.803 | 36.896 | CLOSING BAR STUD (Inside) |
| 12 | 27.803 | 4.907 | CLOSING BAR STUD (Inside) |
| 13 | 14.959 | 1.435 | STUD M6 x 18mm (Inside) |
| ----- | | | |
| 14 | 3.750 | 38.053 | LABEL_EXM (Inside) |
| 15 | 27.803 | 20.902 | HANDLE 885 ESL2A-LSS @ 0.0° |

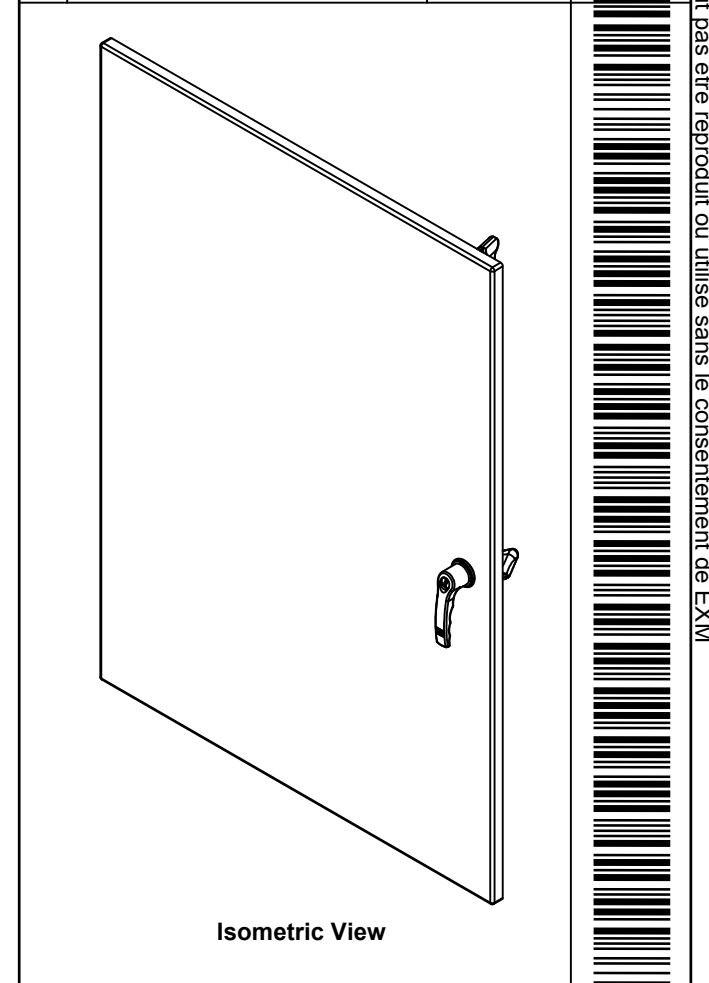


| | | |
|--|-----------------------------|----------|
| | Description | Status |
| | 5412ESS 42" x 30" Cover | (NULL) |
| | Part Number Numéro Pièce | Rev. |
| | 5412ESS4230086NOIPC | 0 |
| | | 2 |
| | | 3 |


This drawing is confidential and must not be reproduced or used without the consent of EXM

Ce dessin est confidentiel et ne doit pas être reproduit ou utilisé sans le consentement de EXM

| No. | Revisions | Date | By/Par |
|-----|-----------|------|--------|
| | | | |
| | | | |
| | | | |
| | | | |
| | | | |



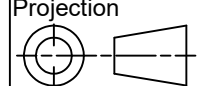
| 2 | STK-Q-90042 | 4 | 5412 ES - Cabinet Closing Bar End (Small) |
|------------|-----------------------|-----|----------------------------------------------|
| 2 | STK-Q-45655-42 | 0 | 5412 ES - Closing Bar |
| 1 | STK-Q-50536 | 13 | 5412 ES - Handle Cam Clockwise (Grip 32mm) |
| 1 | 885 ESL2A-LSS | 3 | 5412 ESS Key Lock L-Handle (3 Pts) |
| 1 | STK-S-00100 | 0 | 3.5" x 2" Silver Milar Flexcon Sticker |
| 1 | STK-Q-46515 | 3 | 5412 ES Door Support with Brass Insert |
| 2 | STK-Q-46025-30-3 | 4 | 5412 ES Horizontal Door Stiffener 30" (3Pts) |
| 2 | STK-Q-46020-42 | 5 | 5412 ES Vertical Door Stiffener 42" |
| 2 | STK-Q-16407 | 2 | Guide Stud - Small (No Paint Cap Required) |
| 11 | STK-Q-16070 | 1 | Stud M6 x 18mm Stainless steel |
| 1 | 5412ESS4230086NOIPG | 0 | 5412ESS 42" x 30" Cover Gasket Part |
| 1 | 5412ESS4230086NOIPC-P | 0 | 5412ESS 42" x 30" Cover Part |
| 3 | STK-A-33016 | 0 | 5412 ESS Bended Hinge (Body Part) |
| 10 | STK-Q-07220 | 1 | M6 Nylon Insert Lock Nut |
| Qty | Part Name | Rev | Description |
| Parts List | | | |



Tél: (450) 979-4373
Fax: (450) 979-4626
www.exmweb.com

Flatness
Aplatissement
Max 3.0mm

Projection



| | |
|----------------------------------------|-----------------------------------|
| Customer Client | Date |
| Drawn By Dessiné Par BoxCad: BoxCad | Date 5/9/2022 |
| Material Matière | 14 Ga Stainless Steel 316 (1.7mm) |
| Color Couleur Unpainted | Finish Fini Brushed |
| Description | Detail Rev. |
| 5412ESS 42" x 30" Cover | |
| Part Number Numéro Pièce | Rev. 3 |
| 5412ESS4230086NOIPC | 0 3 |