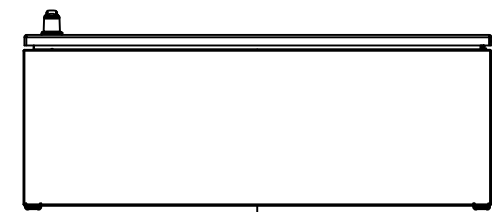
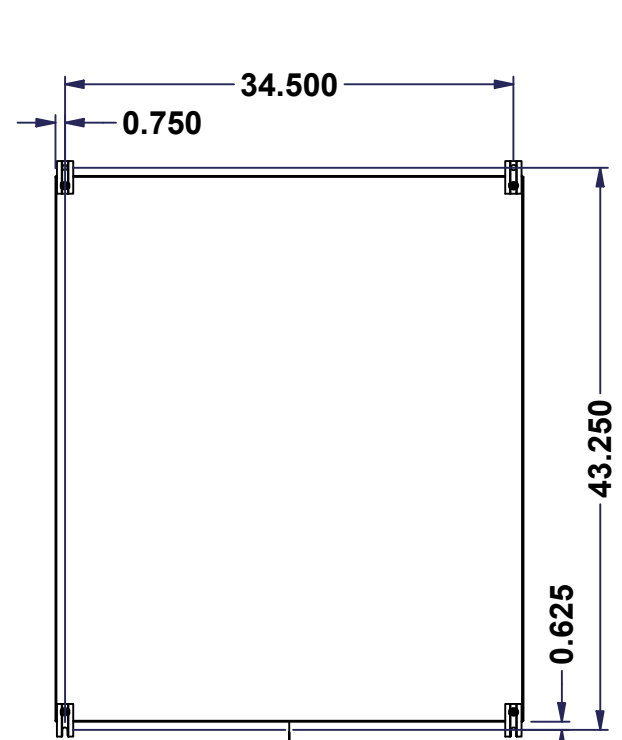


This drawing is confidential and must not be reproduced or used without the consent of EXM

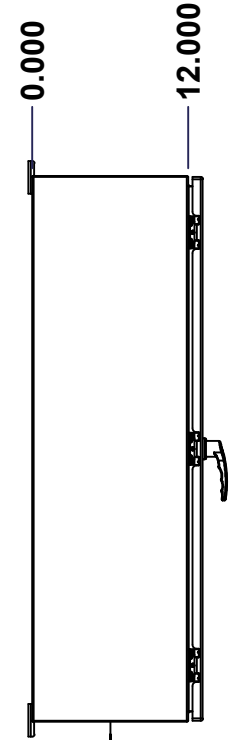
Ce dessin est confidentiel et ne doit pas être reproduit ou utilisé sans le consentement de EXM



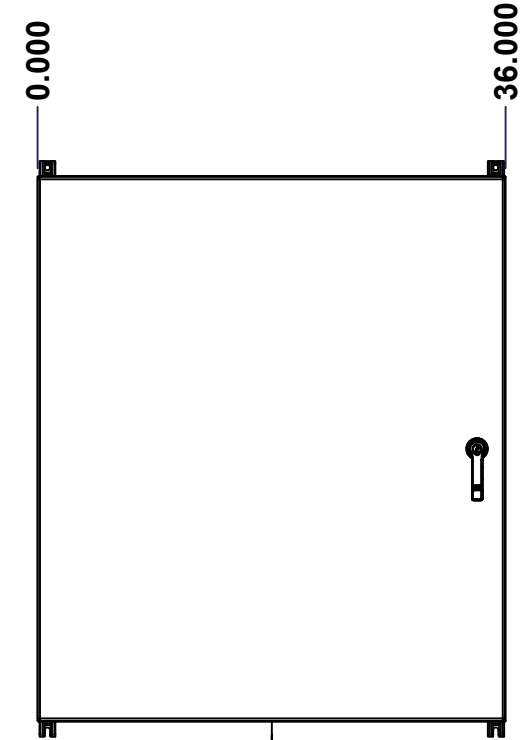
TOP



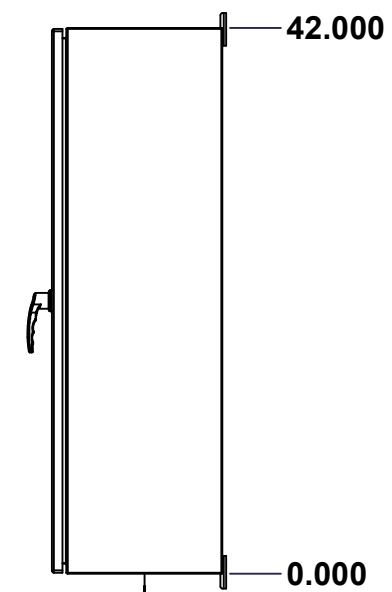
BACK



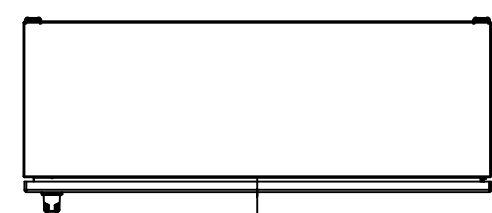
LEFT



FRONT

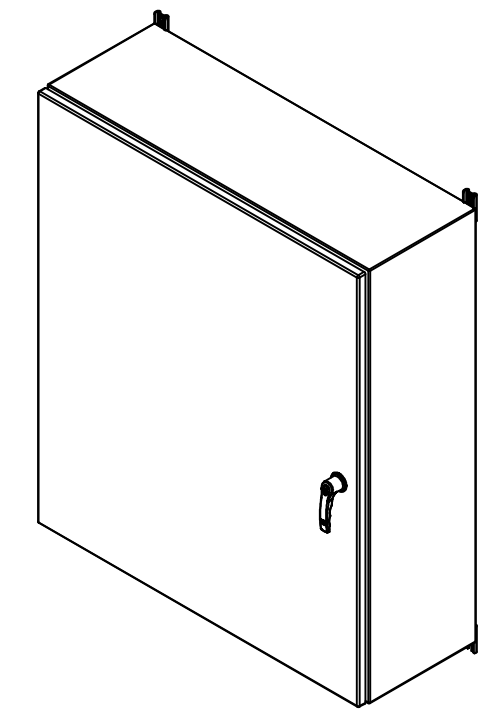


RIGHT



BOTTOM

| No. | Revisions | Date | By/Par |
|-----|-----------|------|--------|
| | | | |
| | | | |
| | | | |
| | | | |



Isometric View



**GRAIN DIRECTION:
TOP/BOTTOM: HORIZONTAL
LEFT/RIGHT/BACK/FRONT: VERTICAL**

| | |
|--|--|
| | Flatness Aplatissement Max 3.0mm |
| | Projection |
| Customer Client | Date |
| Drawn By Dessiné Par: BoxCad: BoxCad | Date: 24-May-23 |
| Material Matière: 14 Ga Stainless Steel 316 (1.7mm) | |
| Color Couleur: Unpainted | Finish Fini: Brushed |
| Description 5412ESS 42" x 36" x 12" Assembly | |
| Part Number Numéro Pièce: 5412ESS4236126TH | Detail Rev. Rev. 1 0 |

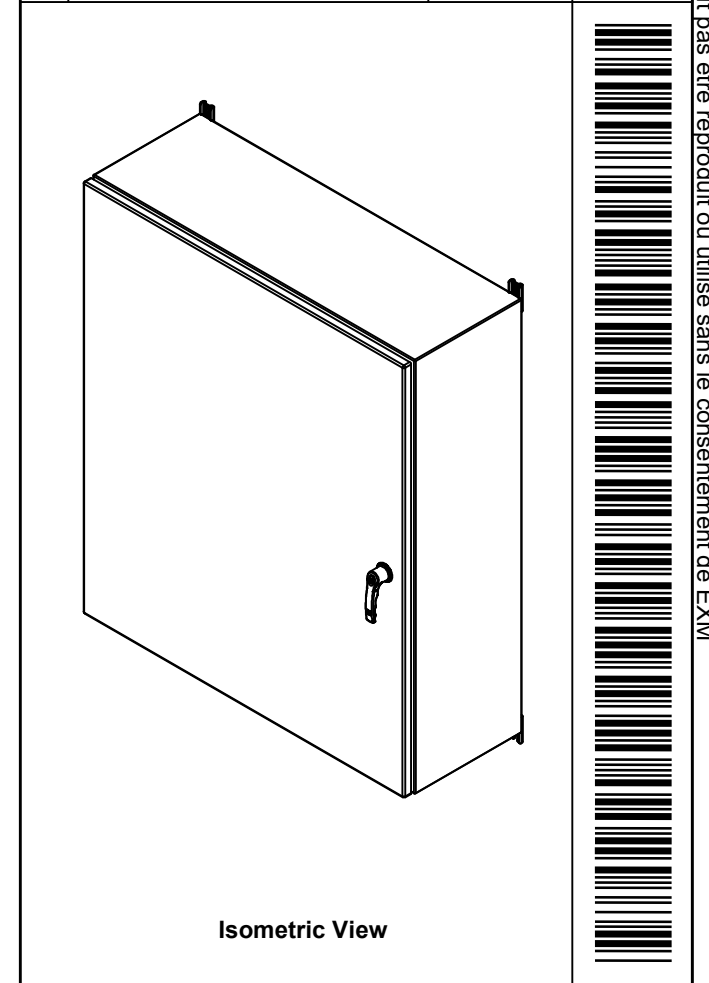
SEE BILL OF MATERIAL ON LAST PAGE

This drawing is confidential and must not be reproduced or used without the consent of EXM

Ce dessin est confidentiel et ne doit pas être reproduit ou utilisé sans le consentement de EXM

| NOTE | |
|------|---|
| ITEM | DESCRIPTION |
| 1 | NEMA 4X Enclosure |
| 2 | C/W Standard ground studs on box and cover |
| 3 | C/W Standard door stiffener |
| 4 | C/W Standard inner panel (Included) |
| 5 | C/W Standard inner panel mounting studs |
| 6 | C/W 885 ESMF4_OPEN Sold separately (Installed) |
| 7 | C/W 885 ESMF4_CLOSE Sold separately (Installed) |
| 8 | C/W R5 Insulation (Installed by EXM) |

| No. | Revisions | Date | By/Par |
|-----|-----------|------|--------|
| | | | |
| | | | |
| | | | |
| | | | |
| | | | |
| | | | |



EXM
exm

Tél: (450) 979-4373
Fax: (450) 979-4626
www.exmweb.com

Flatness
Aplatissement
Max 3.0mm

Projection

| | |
|-------------------------|-----------------------------------|
| Customer Client | Date |
| Drawn By Dessiné Par | Date 24-May-23 |
| Material Matière | 14 Ga Stainless Steel 316 (1.7mm) |

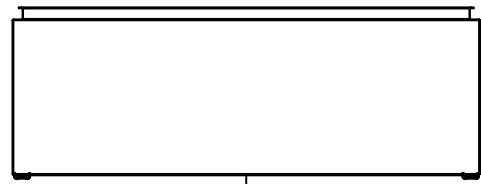
| | | | |
|----------------------------------|-----------|----------------|---------|
| Color Couleur | Unpainted | Finish Fini | Brushed |
| Description | | Detail Rev. | |
| 5412ESS 42" x 36" x 12" Assembly | | | |
| Part Number Numéro Pièce | Rev. | 2 | |
| 5412ESS4236126TH | 0 | 16 | |

| PACKING | | |
|-----------------------|-----|--|
| ITEM | QTY | DESCRIPTION |
| Cardboard sleeve | 2 | Top and Bottom |
| Cardboard strip | 2 | Between back of enclosure and inner panel |
| Plastic bag | 1 | To protect cover surface and inside gasket |
| Cardboard corner | 4 | To reinforced for the plastic strap tightening |
| Plastic strap - Black | 2 | To Squeeze the 2 cardboard sleeve together |
| Packaging label | 3 | White label with PN |
| Plastic strap- Green | 2 | To secure the enclosure to the wood pallet |
| Wood Pallet | 1 | 2" deeper and 3" larger than enclosure size |

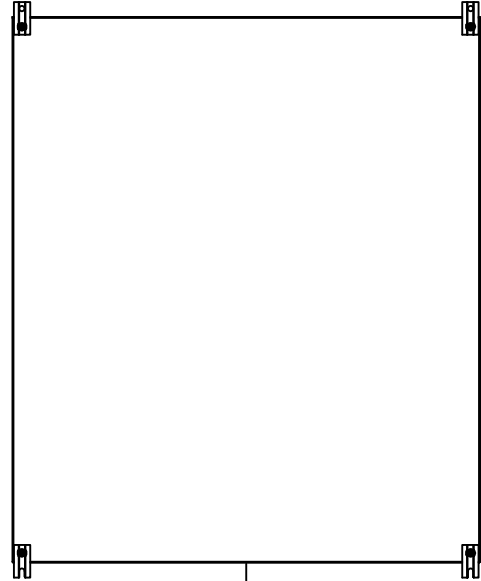
| | | | |
|------------|-------------------|-----|--|
| 8 | STK-Q-00600 | 2 | M12 to M8 Adaptor |
| 1 | 881 SP4236G | 0 | 881 SP - Inner Panel |
| 1 | STK-K-01800 | 5 | 5412 ES Accessory Kit |
| 1 | 5412ESS4236126THC | 0 | 5412ESS 42" x 36" Cover |
| 1 | 5412ESS4236126THB | 0 | 5412ESS 42" x 36" x 12" Body |
| 3 | STK-Q-04051-08 | 1 | M6 x 8mm Stainless Steel Hexagon Socket Head Machine Screw with Nyseal |
| Qty | Part Number | Rev | Description |
| Parts List | | | |

This drawing is confidential and must not be reproduced or used without the consent of EXM

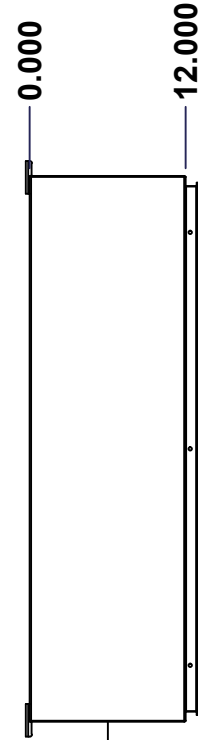
Ce dessin est confidentiel et ne doit pas être reproduit ou utilisé sans le consentement de EXM



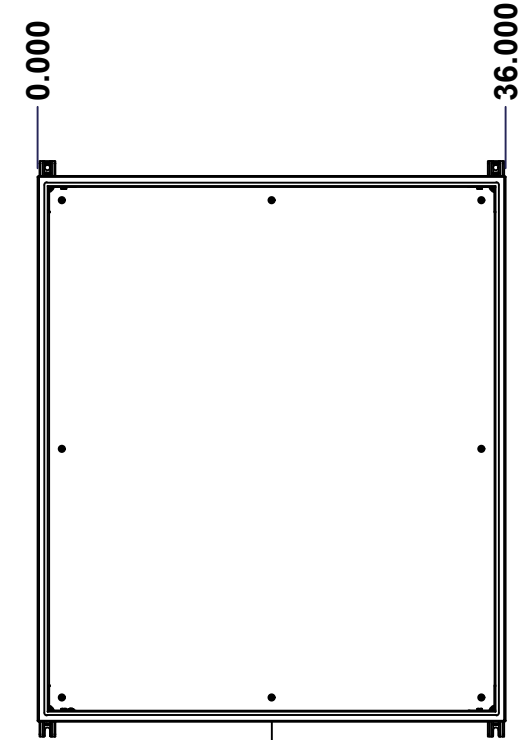
TOP



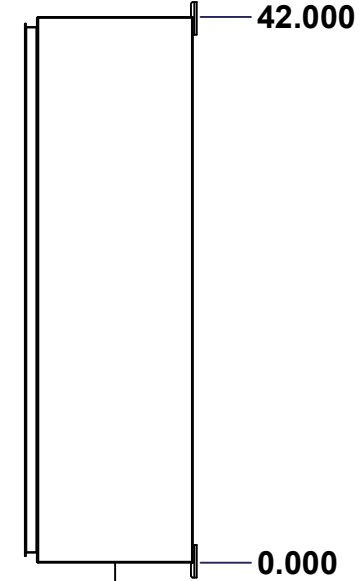
BACK



LEFT



FRONT

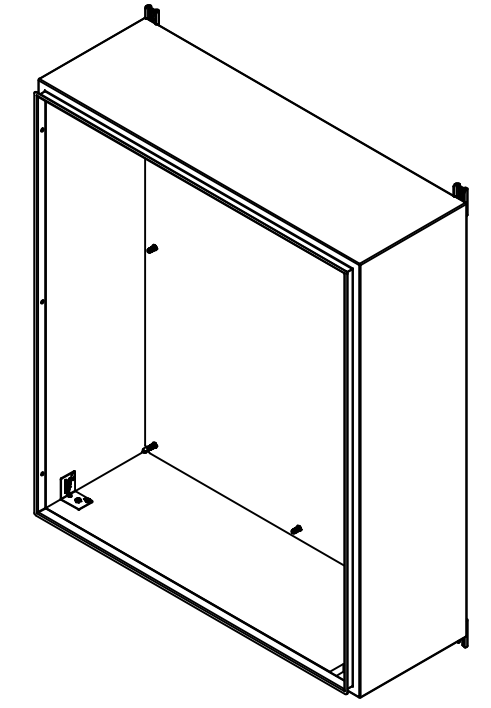


RIGHT



BOTTOM

| No. | Revisions | Date | By/Par |
|-----|-----------|------|--------|
| | | | |
| | | | |
| | | | |
| | | | |



Isometric View



Tél: (450) 979-4373
 Fax: (450) 979-4626
www.exmweb.com

Flatness
 Aplatissement
 Max 3.0mm
 Projection

| | |
|---|------------------------|
| Customer Client | Date |
| Drawn By / Dessiné Par: BoxCad: BoxCad | Date: 24-May-23 |
| Material / Matière: 14 Ga Stainless Steel 316 (1.7mm) | |
| Color / Couleur: Unpainted | Finish / Fini: Brushed |
| Description: 5412ESS 42" x 36" x 12" Body | Detail Rev. |

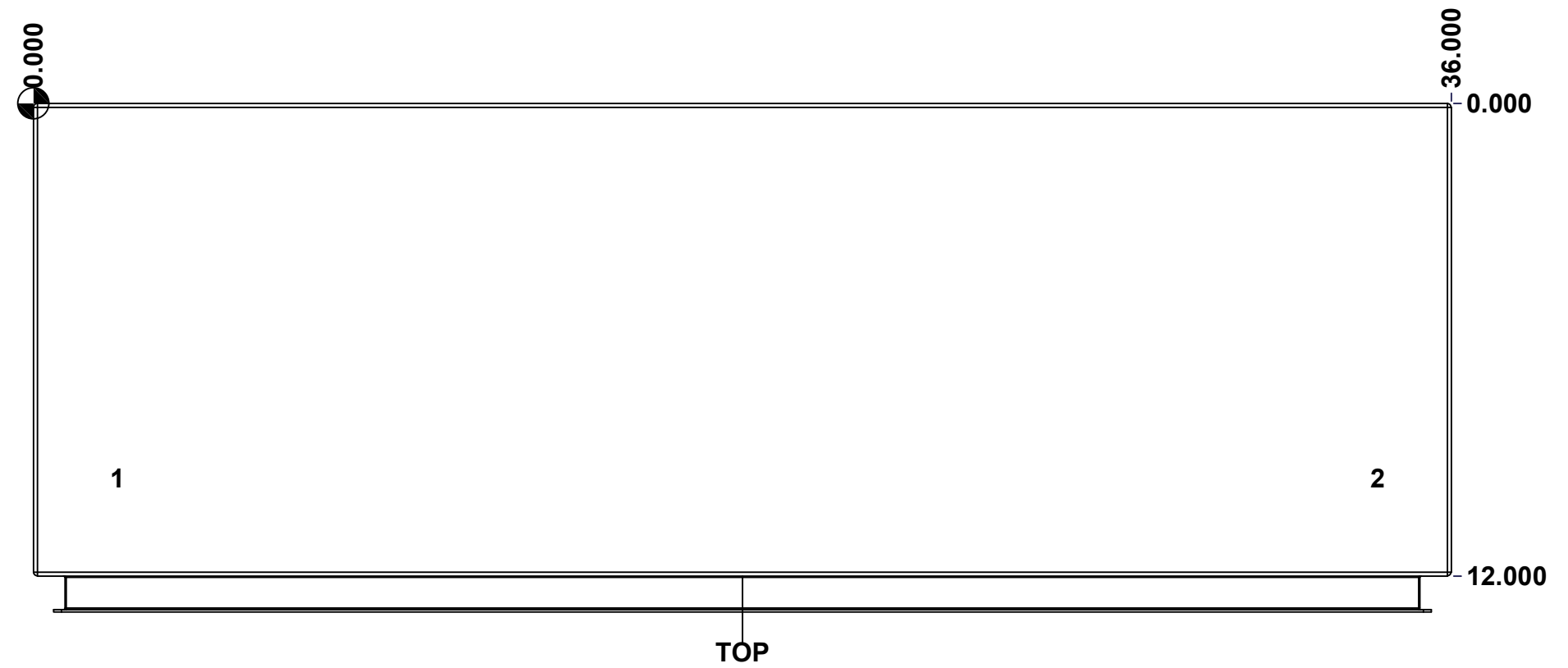
| | | |
|---|--------|---|
| Part Number / Numéro Pièce: 5412ESS4236126THB | Rev. 0 | 3 |
|---|--------|---|

SEE BILL OF MATERIAL ON LAST PAGE

This drawing is confidential and must not be reproduced or used without the consent of EXM

Ce dessin est confidentiel et ne doit pas être reproduit ou utilisé sans le consentement de EXM

| STANDARD FEATURES ARE NOT LISTED IN THIS HOLE TABLE | | | |
|--|--------|-------|--------------------------------|
| HOLE TABLE - TOP VIEW (CUSTOM FEATURE ONLY) | | | |
| CUT-OUT | XDIM | YDIM | DESCRIPTION |
| 1 | 2.000 | 9.500 | INSUL. STUD M6 x 18mm (Inside) |
| 2 | 34.000 | 9.500 | INSUL. STUD M6 x 18mm (Inside) |

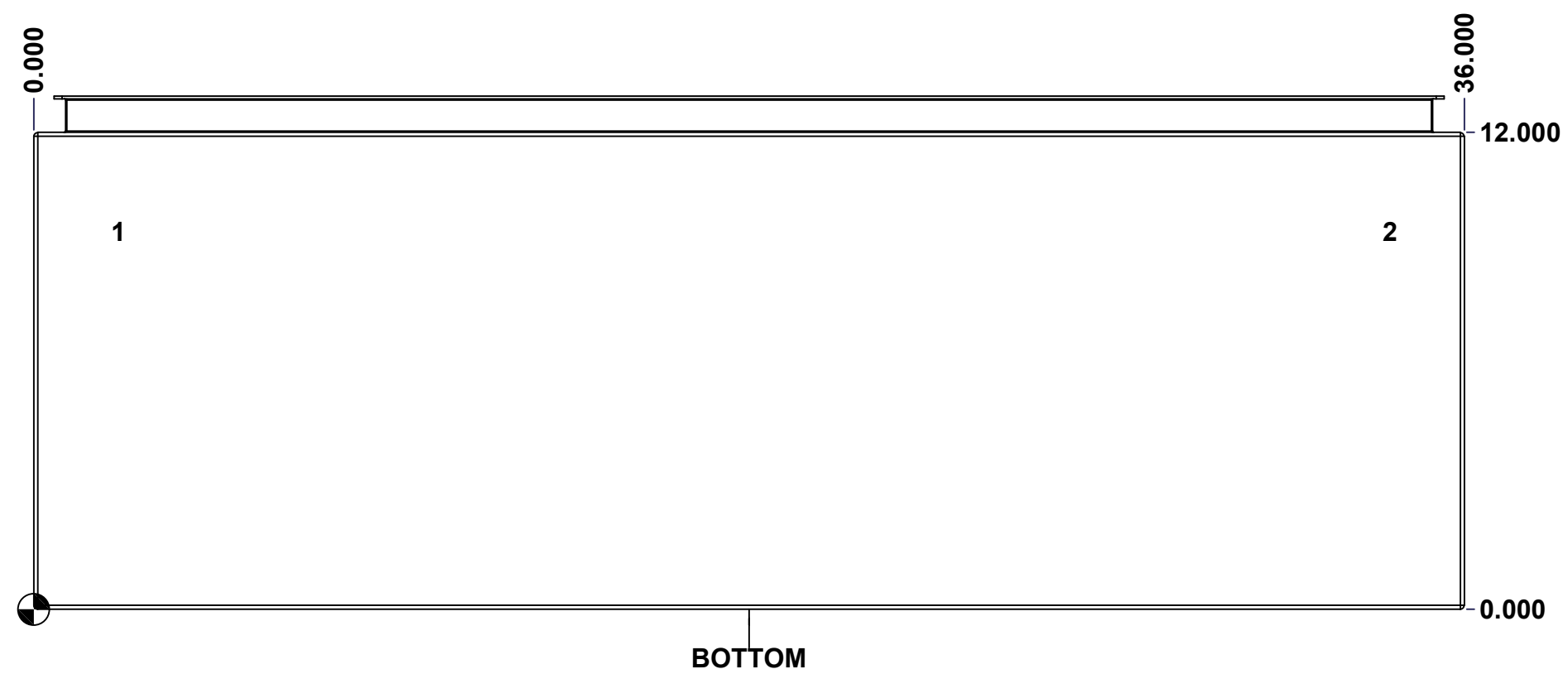


| | | | |
|--|------------------------------|----------|----|
| | Description | Status | |
| | 5412ESS 42" x 36" x 12" Body | (NULL) | |
| | Part Number Numéro Pièce | Rev. | 4 |
| | 5412ESS4236126THB | 0 | 16 |

This drawing is confidential and must not be reproduced or used without the consent of EXM

Ce dessin est confidentiel et ne doit pas être reproduit ou utilisé sans le consentement de EXM

| STANDARD FEATURES ARE NOT LISTED IN THIS HOLE TABLE | | | |
|--|--------|-------|--------------------------------|
| HOLE TABLE - BOTTOM VIEW (CUSTOM FEATURE ONLY) | | | |
| CUT-OUT | XDIM | YDIM | DESCRIPTION |
| 1 | 2.000 | 9.500 | INSUL. STUD M6 x 18mm (Inside) |
| 2 | 34.000 | 9.500 | INSUL. STUD M6 x 18mm (Inside) |



| | | |
|--|------------------------------|--------------|
| | Description | Status |
| | 5412ESS 42" x 36" x 12" Body | (NULL) |
| | Part Number Numéro Pièce | Rev. |
| | 5412ESS4236126THB | 0 / 5 |
| | | 16 |

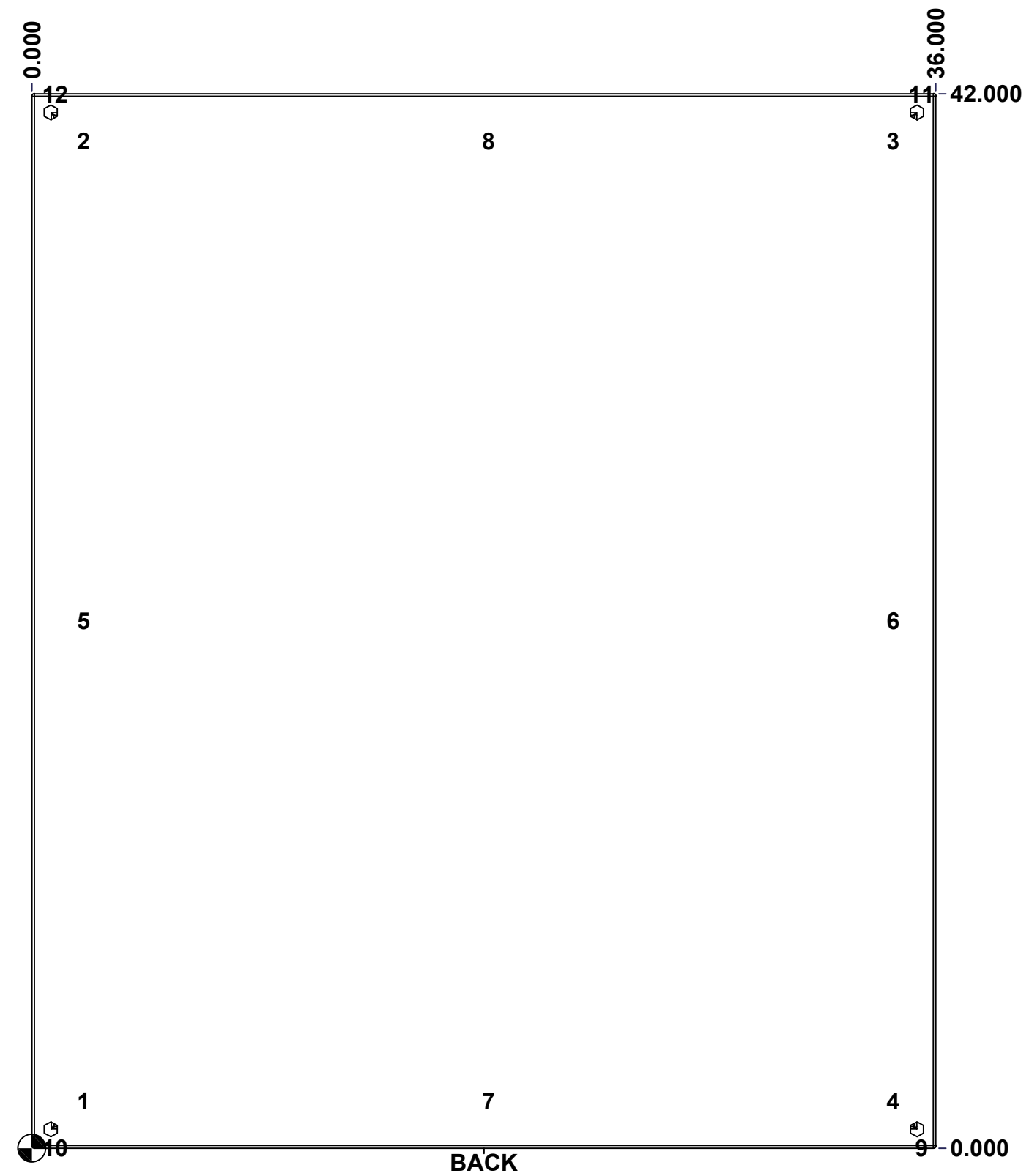
This drawing is confidential and must not be reproduced or used without the consent of EXM

Ce dessin est confidentiel et ne doit pas être reproduit ou utilisé sans le consentement de EXM

STANDARD FEATURES ARE NOT LISTED IN THIS HOLE TABLE

HOLE TABLE - BACK VIEW (CUSTOM FEATURE ONLY)

| CUT-OUT | XDIM | YDIM | DESCRIPTION |
|---------|--------|--------|----------------------------|
| 1 | 1.875 | 1.875 | IP STUD M8 x 35mm (Inside) |
| 2 | 1.875 | 40.125 | IP STUD M8 x 35mm (Inside) |
| 3 | 34.125 | 40.125 | IP STUD M8 x 35mm (Inside) |
| 4 | 34.125 | 1.875 | IP STUD M8 x 35mm (Inside) |
| 5 | 1.875 | 21.000 | IP STUD M8 x 35mm (Inside) |
| 6 | 34.125 | 21.000 | IP STUD M8 x 35mm (Inside) |
| 7 | 18.000 | 1.875 | IP STUD M8 x 35mm (Inside) |
| 8 | 18.000 | 40.125 | IP STUD M8 x 35mm (Inside) |
| ----- | | | |
| 9 | 35.250 | 0.000 | FOOT 885 ESMF4_OPEN |
| 10 | 0.750 | 0.000 | FOOT 885 ESMF4_OPEN |
| 11 | 35.250 | 42.000 | FOOT 885 ESMF4_CLOSE |
| 12 | 0.750 | 42.000 | FOOT 885 ESMF4_CLOSE |

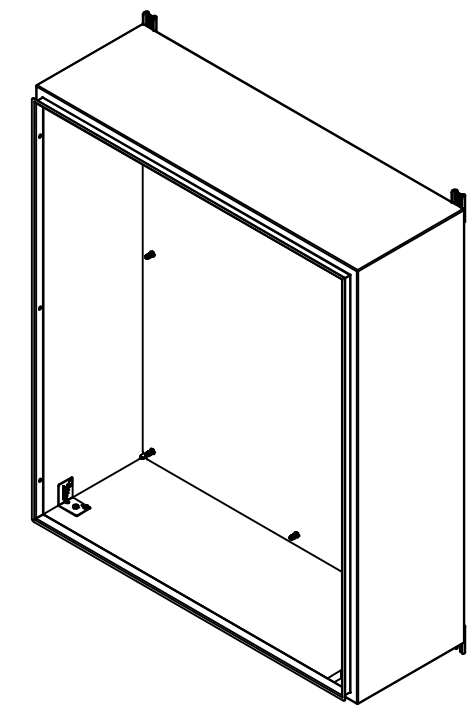


| | | |
|--|------------------------------|--------------|
| | Description | Status |
| | 5412ESS 42" x 36" x 12" Body | (NULL) |
| | Part Number Numéro Pièce | Rev. |
| | 5412ESS4236126THB | 0 / 6 |
| | | 16 |

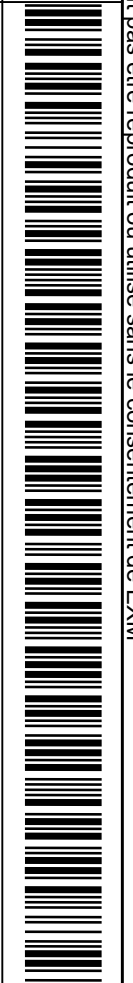
This drawing is confidential and must not be reproduced or used without the consent of EXM

Ce dessin est confidentiel et ne doit pas être reproduit ou utilisé sans le consentement de EXM

| No. | Revisions | Date | By/Par |
|-----|-----------|------|--------|
| | | | |
| | | | |
| | | | |
| | | | |
| | | | |




Isometric View



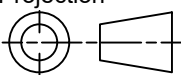
| | | | |
|---|------------------------|---|---|
| 2 | 885ESMF4-FEET | 0 | 885 ESMF4 Stainless Steel Mounting Foot |
| 4 | RIVET_NUT_SS_M10_FH_CE | 0 | Stainless Steel Rivet Nut M10 (Low Profile Close End) |
| 4 | STK-Q-06670 | 2 | M10 x 16mm Stainless Steel Machine Screw |
| 2 | 885ESMF4-FEET-A | 0 | 885 ESMF4 Stainless Steel Mounting Foot (Opened Slot) |
| 1 | STK-K-70554 | 3 | 5412 ESTH Accessory Kit |
| 1 | 5412ESS4236126THI-RS | 0 | 5412ESS 42" x 36" Right Insulation |
| 1 | 5412ESS4236126THI-LS | 0 | 5412ESS 42" x 36" Left Insulation |
| 1 | 5412ESS4236126THI-BT | 0 | 5412ESS 42" x 36" Top and Bottom Insulation |
| 1 | 5412ESS4236126THI-TP | 0 | 5412ESS 42" x 36" Top and Bottom Insulation |
| 1 | 5412ESS4236126THI-B | 0 | 5412ESS 42" x 36" Back Insulation |
| 4 | STK-Q-16070 | 1 | Stud M6 x 18mm Stainless steel |
| 8 | STK-Q-16020 | 1 | Stud M8 x 35mm Stainless Steel |
| 1 | 5412ESS4236126THB-P | 0 | 5412ESS 42" x 36" x 12" Body Part |

| Qty | Part Number | Rev | Description |
|------------|-------------|-----|-------------|
| Parts List | | | |



Tél: (450) 979-4373
Fax: (450) 979-4626
www.exmweb.com

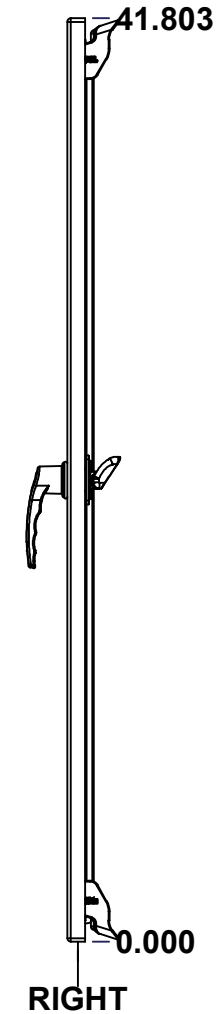
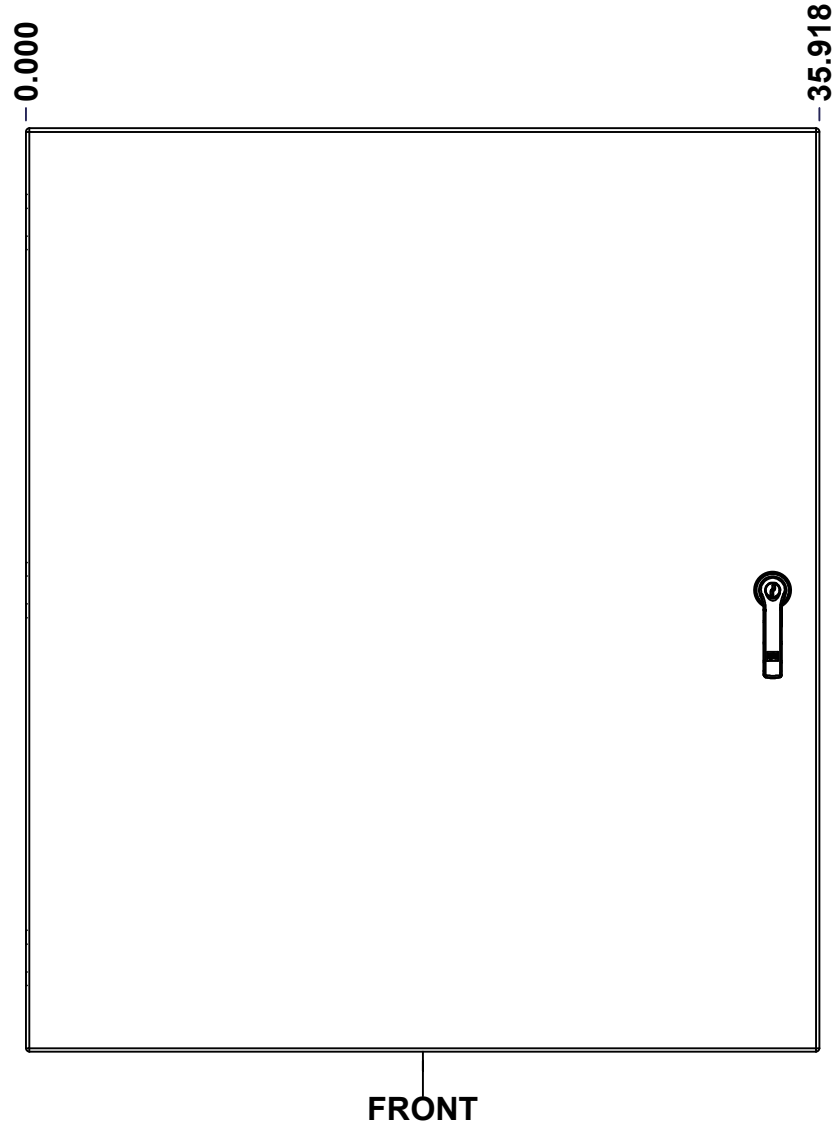
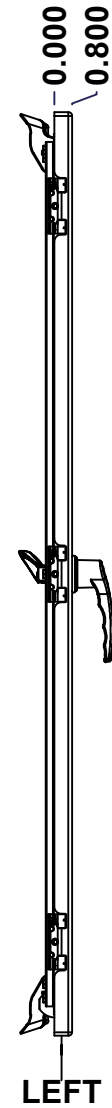
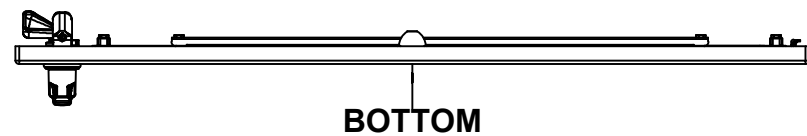
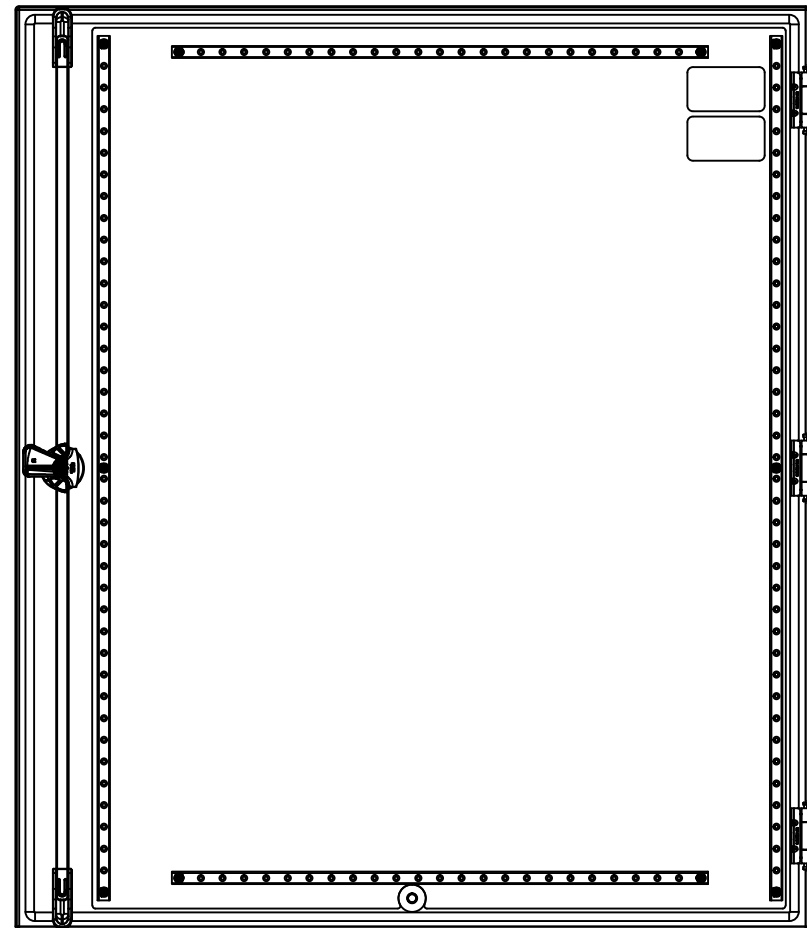
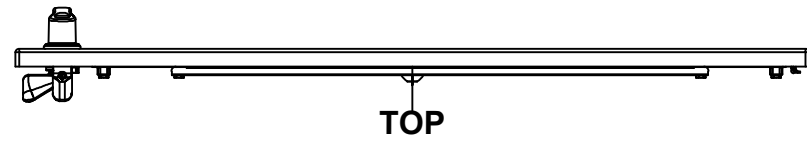
Flatness
Aplatissement
Max 3.0mm

Projection


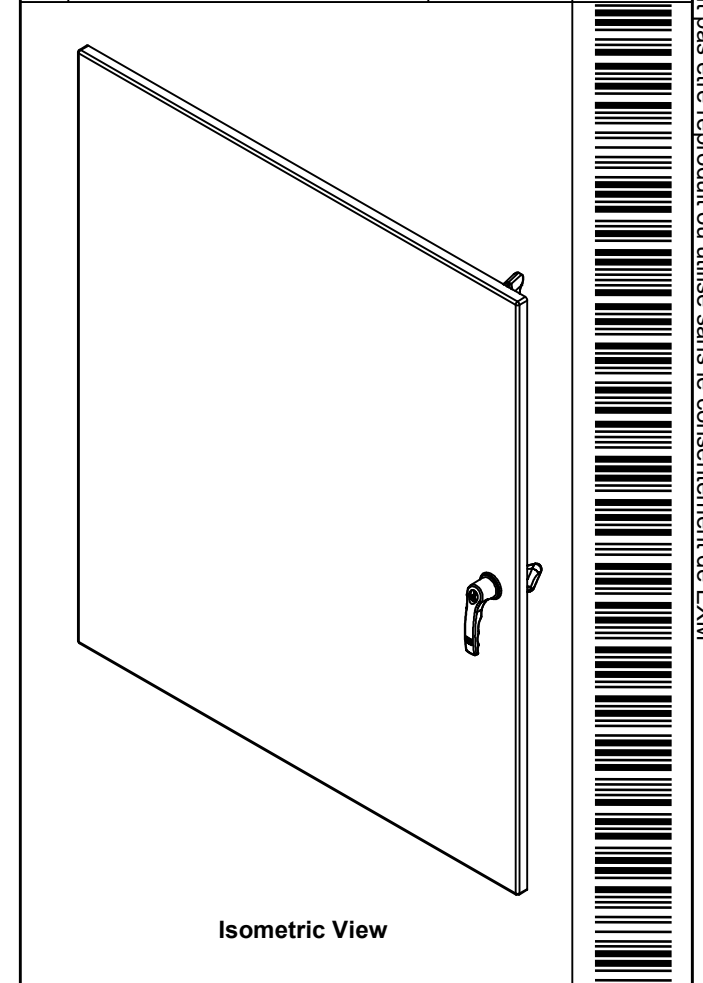
| | | |
|--|-------------------------|--------------------|
| Customer Client | | Date |
| Drawn By Dessiné Par | BoxCad: BoxCad | Date 24-May-23 |
| Material Matière: 14 Ga Stainless Steel 316 (1.7mm) | | |
| Color Couleur: Unpainted | Finish Fini: Brushed | |
| Description 5412ESS 42" x 36" x 12" Body | | Detail Rev. |
| Part Number Numéro Pièce: 5412ESS4236126THB | | Rev. 7 0 |

This drawing is confidential and must not be reproduced or used without the consent of EXM

Ce dessin est confidentiel et ne doit pas être reproduit ou utilisé sans le consentement de EXM



| No. | Revisions | Date | By/Par |
|-----|-----------|------|--------|
| | | | |
| | | | |
| | | | |
| | | | |



| | | |
|--|------------------------|---------------------------|
| Tél: (450) 979-4373 Fax: (450) 979-4626 www.exmweb.com | | Flatness Aplatissement |
| | | Max 3.0mm |
| Customer Client | | Date |
| Drawn By Dessiné Par BoxCad: BoxCad | | Date 24-May-23 |
| Material Matière 14 Ga Stainless Steel 316 (1.7mm) | | |
| Color Couleur Unpainted | Finish Fini Brushed | |
| Description 5412ESS 42" x 36" Cover | | Detail Rev. |
| Part Number Numéro Pièce 5412ESS4236126THC | | Rev. 8 |
| SEE BILL OF MATERIAL ON LAST PAGE | | 0 |

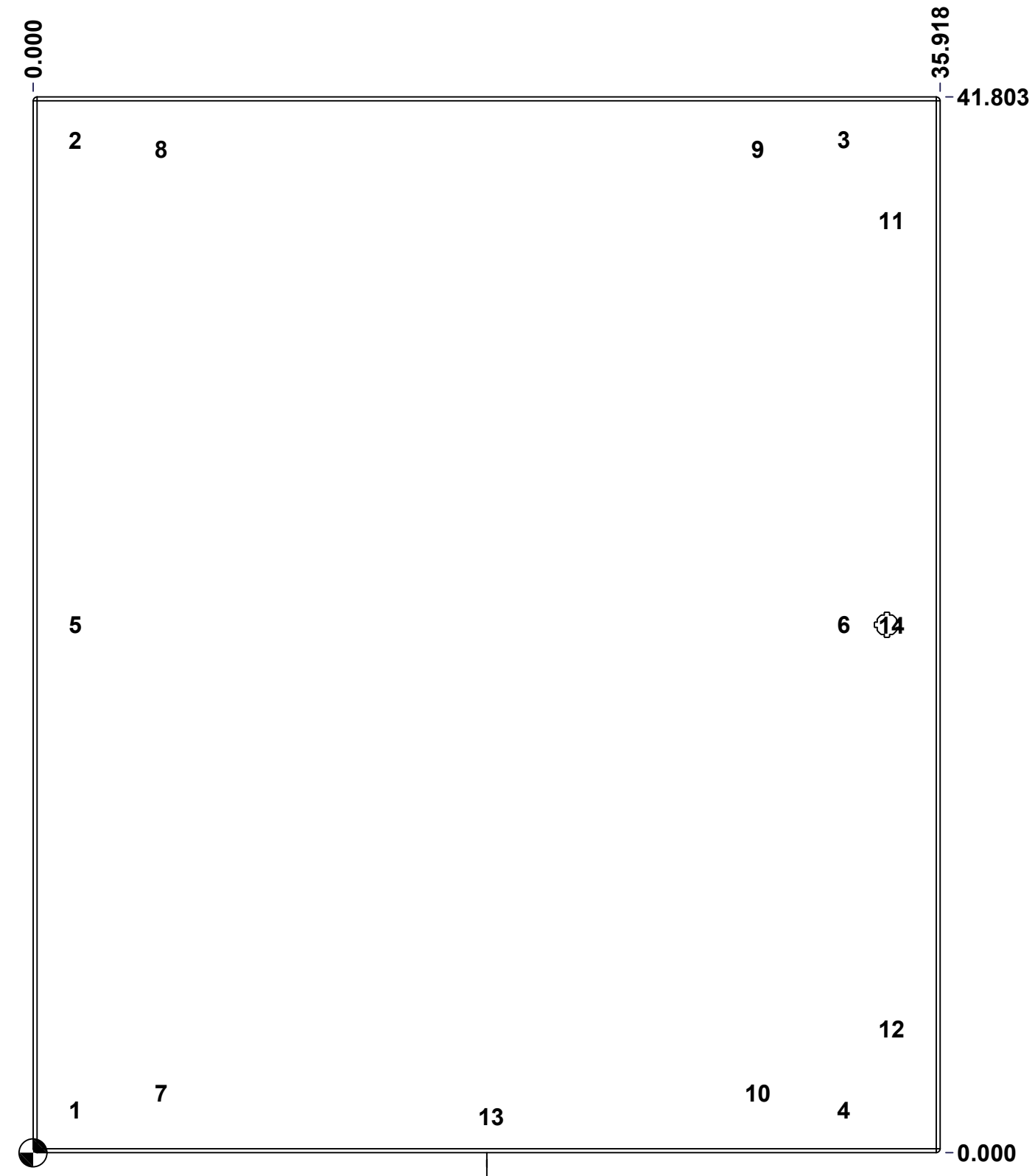
This drawing is confidential and must not be reproduced or used without the consent of EXM

Ce dessin est confidentiel et ne doit pas être reproduit ou utilisé sans le consentement de EXM

STANDARD FEATURES ARE NOT LISTED IN THIS HOLE TABLE

HOLE TABLE - FRONT VIEW (CUSTOM FEATURE ONLY)

| CUT-OUT | XDIM | YDIM | DESCRIPTION |
|---------|--------|--------|---------------------------|
| 1 | 1.486 | 1.709 | STUD M6 x 18mm (Inside) |
| 2 | 1.486 | 40.094 | STUD M6 x 18mm (Inside) |
| 3 | 31.923 | 40.094 | STUD M6 x 18mm (Inside) |
| 4 | 31.923 | 1.709 | STUD M6 x 18mm (Inside) |
| 5 | 1.486 | 20.902 | STUD M6 x 18mm (Inside) |
| 6 | 31.923 | 20.902 | STUD M6 x 18mm (Inside) |
| 7 | 4.893 | 2.350 | STUD M6 x 18mm (Inside) |
| 8 | 4.893 | 39.733 | STUD M6 x 18mm (Inside) |
| 9 | 28.516 | 39.733 | STUD M6 x 18mm (Inside) |
| 10 | 28.516 | 2.350 | STUD M6 x 18mm (Inside) |
| 11 | 33.803 | 36.896 | CLOSING BAR STUD (Inside) |
| 12 | 33.803 | 4.907 | CLOSING BAR STUD (Inside) |
| 13 | 17.959 | 1.435 | STUD M6 x 18mm (Inside) |
| ----- | ----- | ----- | ----- |
| 14 | 33.803 | 20.902 | 885 ESL2A-LSS |



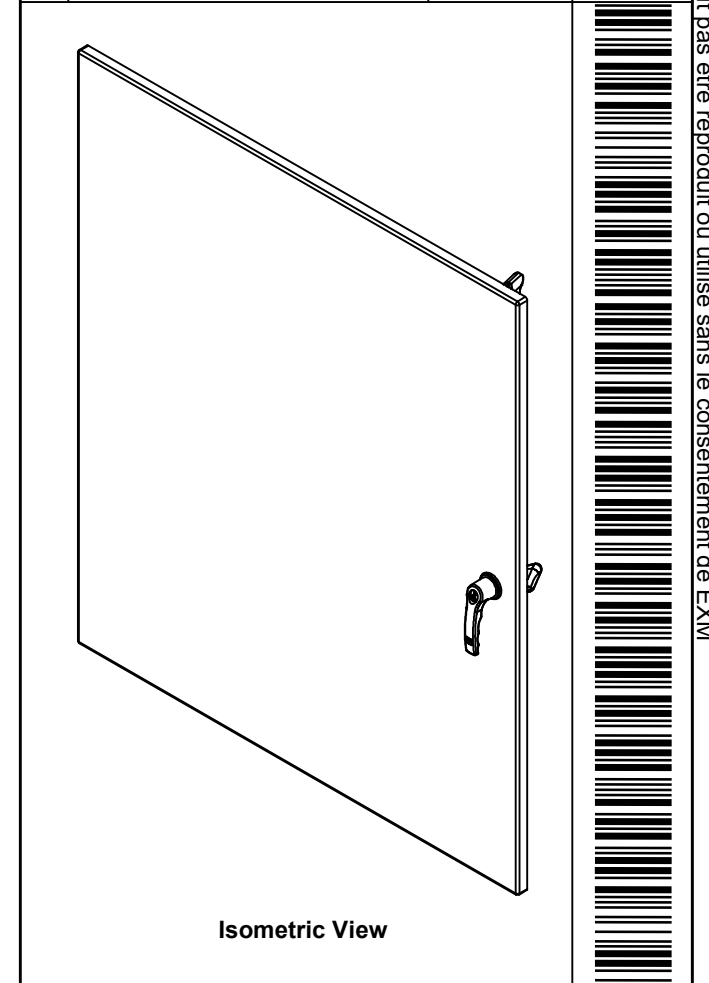
FRONT

| | | |
|--|-----------------------------|--------------|
| | Description | Status |
| | 5412ESS 42" x 36" Cover | (NULL) |
| | Part Number Numéro Pièce | Rev. |
| | 5412ESS4236126THC | 0 / 9 |
| | | 16 |


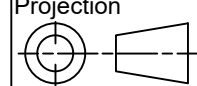
This drawing is confidential and must not be reproduced or used without the consent of EXM

Ce dessin est confidentiel et ne doit pas être reproduit ou utilisé sans le consentement de EXM

| No. | Revisions | Date | By/Par |
|-----|-----------|------|--------|
| | | | |
| | | | |
| | | | |
| | | | |
| | | | |

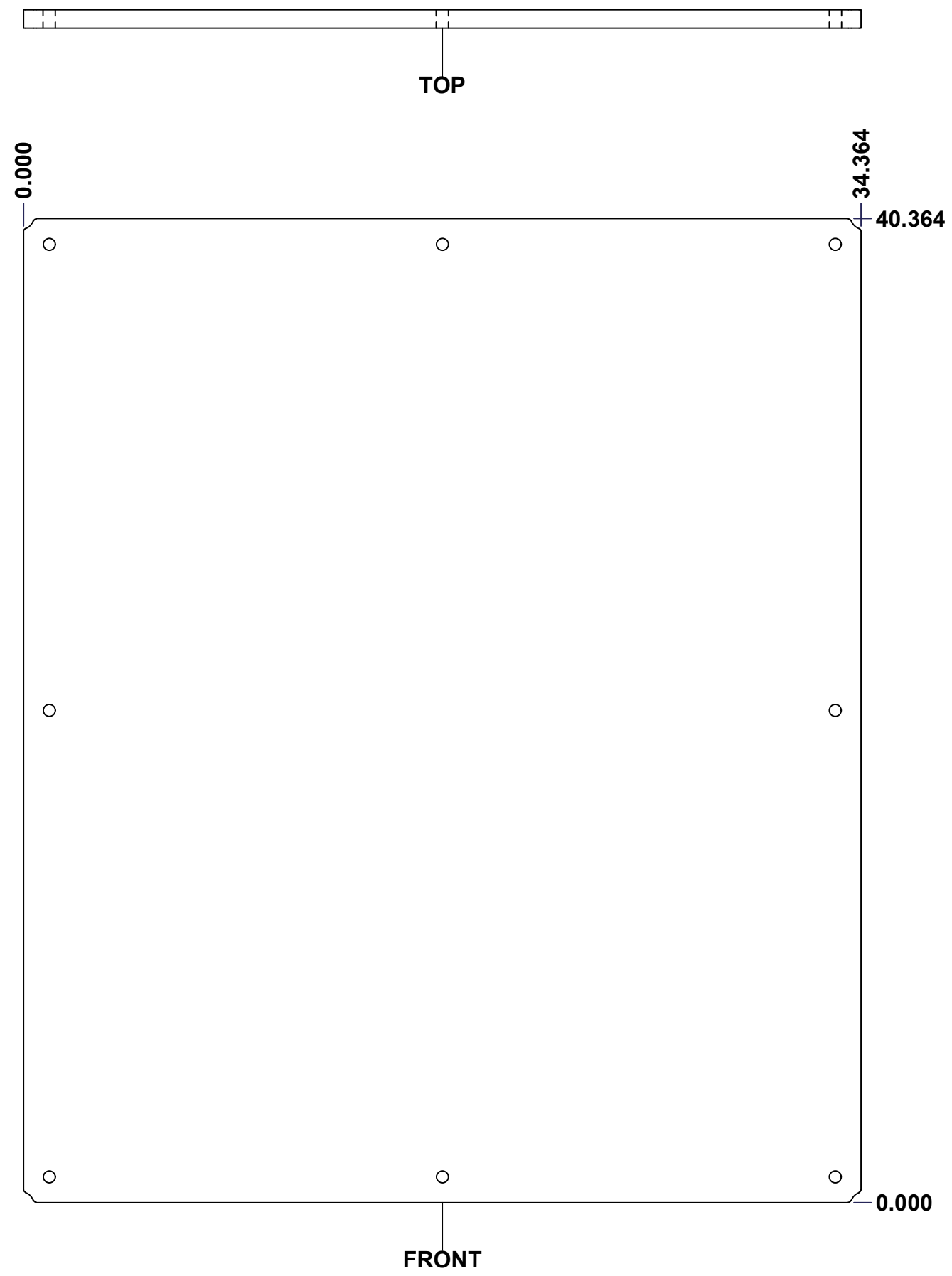


| 2 | STK-Q-90042 | 4 | 5412 ES - Cabinet Closing Bar End (Small) |
|------------|---------------------|-----|--|
| 2 | STK-Q-45655-42 | 0 | 5412 ES - Closing Bar |
| 1 | STK-Q-50536 | 13 | 5412 ES - Handle Cam Clockwise (Grip 32mm) |
| 1 | STK-Q-90051 | 3 | 5412 ES - Handle Cam Spacer |
| 1 | 885 ESL2A-LSS | 3 | 5412 ESS Key Lock L-Handle (3 Pts) |
| 2 | STK-S-00100 | 0 | 3.5" x 2" Silver Milar Flexcon Sticker |
| 10 | STK-Q-07250 | 2 | M6 x 16mm Collar Nut |
| 2 | STK-Q-46025-30-3 | 4 | 5412 ES Horizontal Door Stiffener 30" (3Pts) |
| 2 | STK-Q-46020-42 | 5 | 5412 ES Vertical Door Stiffener 42" |
| 1 | 5412ESS4236126THI-C | 0 | 5412ESS 42" x 36" Cover Insulation |
| 1 | STK-Q-46515 | 3 | 5412 ES Door Support with Brass Insert |
| 2 | STK-Q-16407 | 2 | Guide Stud - Small (No Paint Cap Required) |
| 11 | STK-Q-16070 | 1 | Stud M6 x 18mm Stainless steel |
| 1 | 5412ESS4236126THG | 0 | 5412ESS 42" x 36" Cover Gasket Part |
| 1 | 5412ESS4236126THC-P | 0 | 5412ESS 42" x 36" Cover Part |
| 3 | STK-A-33016 | 0 | 5412 ESS Bended Hinge (Body Part) |
| QTY | Part Number | Rev | Description |
| Parts List | | | |

| | |
|--|---|
|  Tél: (450) 979-4373 Fax: (450) 979-4626 www.exmweb.com | Flatness Aplatissement |
| | Max 3.0mm |
| Projection |  |
| Customer Client | Date |
| Drawn By Dessiné Par | Date 24-May-23 |
| Material Matière | 14 Ga Stainless Steel 316 (1.7mm) |
| Color Couleur | Unpainted |
| Finish Fini | Brushed |
| Description | Detail Rev. |
| 5412ESS 42" x 36" Cover | |
| Part Number Numéro Pièce | Rev. 10 |
| 5412ESS4236126THC | 0 16 |

This drawing is confidential and must not be reproduced or used without the consent of EXM

Ce dessin est confidentiel et ne doit pas être reproduit ou utilisé sans le consentement de EXM



| No. | Revisions | Date | By/Par |
|-----|-----------|------|--------|
| | | | |
| | | | |
| | | | |
| | | | |

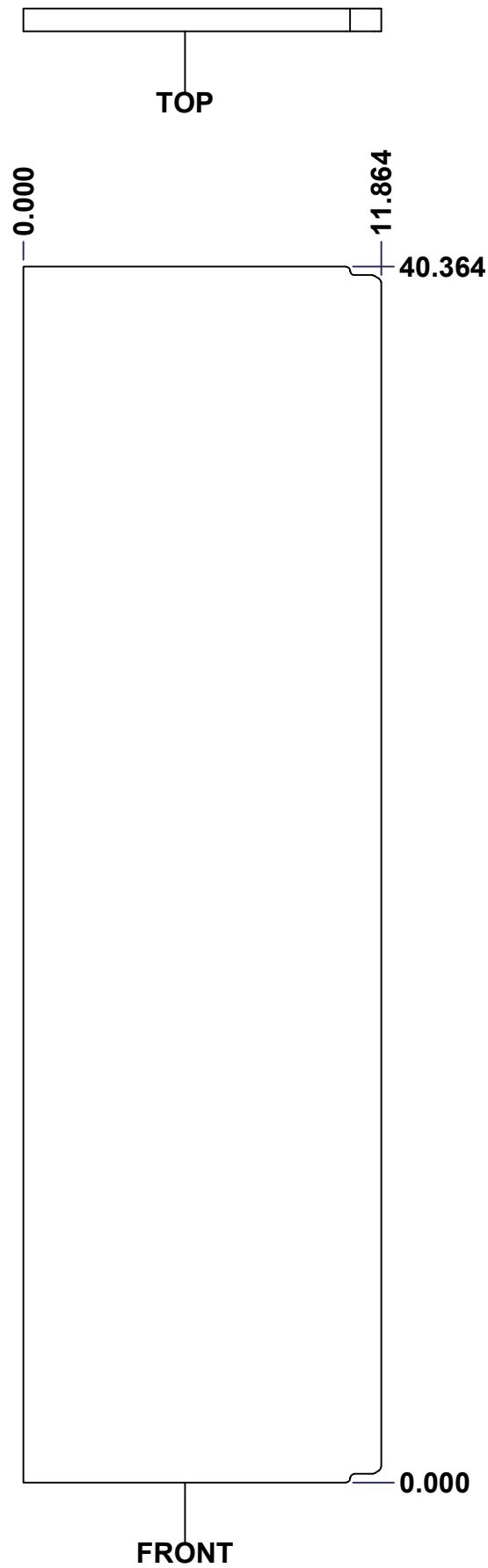
Isometric View

| | | |
|--|--------------------|--|
| Tél: (450) 979-4373 Fax: (450) 979-4626 www.exmweb.com | | Flatness Aplatissement Max 3.0mm |
| Customer Client | | Projection |
| Drawn By / Dessiné Par: BoxCad: Patrick Deschenes | | Date: 23-Jan-07 |
| Material / Matière: Polyisocyanurate | | |
| Color / Couleur: Aluminum | Finish / Fini: N/A | |
| Description: 5412ESS 42" x 36" Back Insulation | | Detail Rev. |
| Part Number / Numéro Pièce: 5412ESS4236126THI-B | | Rev. 11 / 16 |

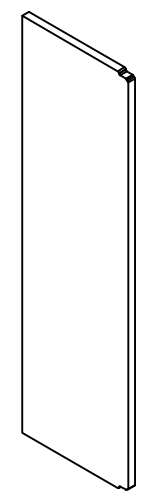
SEE BILL OF MATERIAL ON LAST PAGE

This drawing is confidential and must not be reproduced or used without the consent of EXM

Ce dessin est confidentiel et ne doit pas être reproduit ou utilisé sans le consentement de EXM



0.000
0.750



Isometric View



Tél: (450) 979-4373
Fax: (450) 979-4626
www.exmweb.com

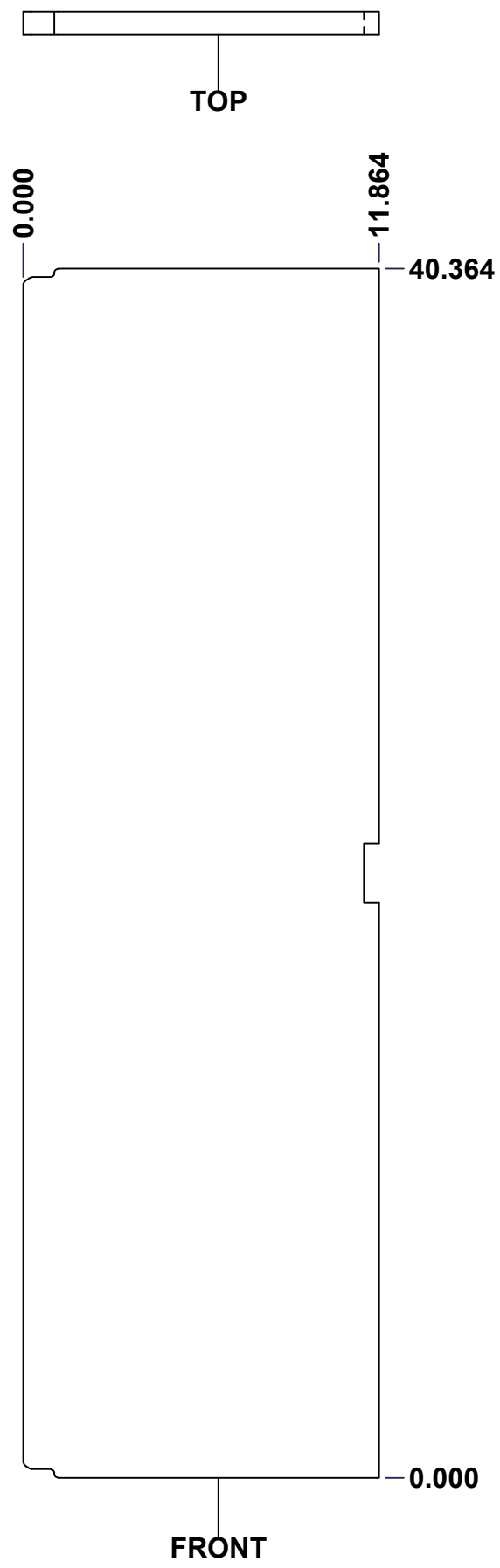
Flatness
Aplatissement
Max 3.0mm
Projection

| | |
|---|--------------------|
| Customer Client | Date |
| Drawn By / Dessiné Par: BoxCad: Patrick Deschenes | Date: 23-Jan-07 |
| Material / Matière: Polyisocyanurate | |
| Color / Couleur: Aluminum | Finish / Fini: N/A |
| Description: 5412ESS 42" x 36" Left Insulation | |
| Detail Rev. | |
| Part Number / Numéro Pièce: 5412ESS4236126THI-LS | Rev. 0 |
| | 12 / 16 |

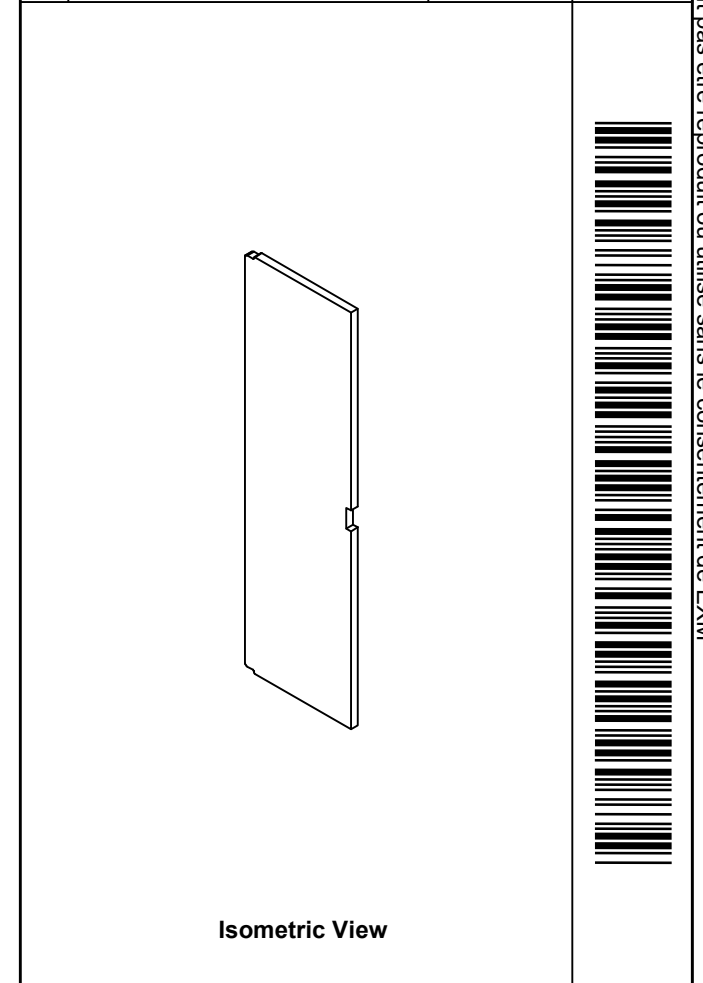
SEE BILL OF MATERIAL ON LAST PAGE


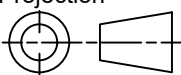
This drawing is confidential and must not be reproduced or used without the consent of EXM

Ce dessin est confidentiel et ne doit pas être reproduit ou utilisé sans le consentement de EXM



| No. | Revisions | Date | By/Par |
|-----|-----------|------|--------|
| | | | |
| | | | |
| | | | |
| | | | |
| | | | |



| | | |
|--|--------------------|---|
|  Tél: (450) 979-4373 Fax: (450) 979-4626 www.exmweb.com | | Flatness Aplatissement Max 3.0mm |
| Customer Client | | Projection  |
| Drawn By / Dessiné Par: BoxCad: Patrick Deschenes | | Date: 23-Jan-07 |
| Material / Matière: Polyisocyanurate | | |
| Color / Couleur: Aluminum | Finish / Fini: N/A | |
| Description: 5412ESS 42" x 36" Right Insulation | | Detail Rev. |
| Part Number / Numéro Pièce: 5412ESS4236126THI-RS | | Rev. 13 / 16 |

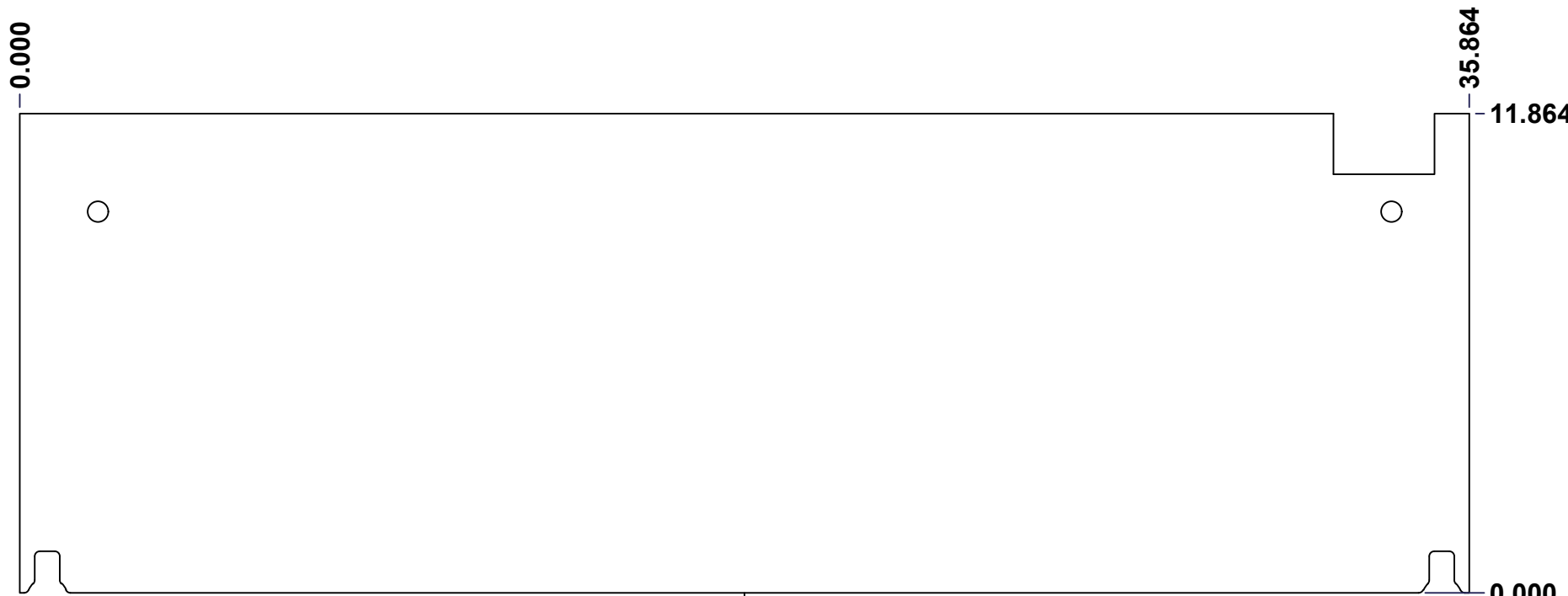
SEE BILL OF MATERIAL ON LAST PAGE

This drawing is confidential and must not be reproduced or used without the consent of EXM

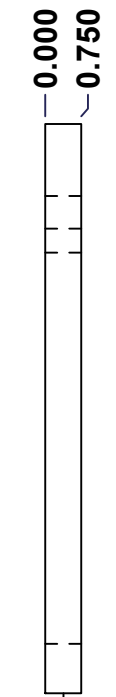
Ce dessin est confidentiel et ne doit pas être reproduit ou utilisé sans le consentement de EXM



TOP

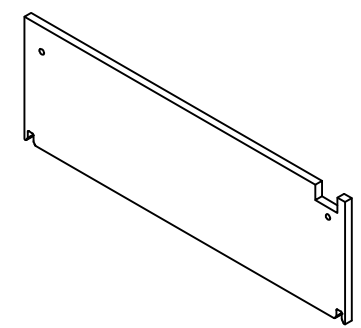


FRONT



RIGHT

| No. | Revisions | Date | By/Par |
|-----|-----------|------|--------|
| | | | |
| | | | |
| | | | |
| | | | |
| | | | |



Isometric View



Tél: (450) 979-4373
 Fax: (450) 979-4626
www.exmweb.com

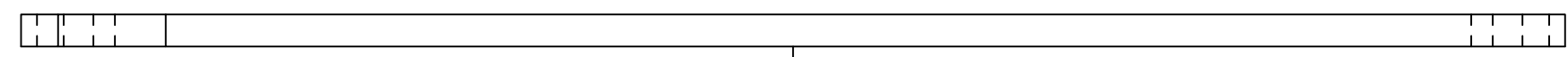
Flatness
Aplatissement
Max 3.0mm
Projection

| | |
|--|--------------------|
| Customer Client | Date |
| Drawn By / Dessiné Par: BoxCad: Patrick Deschenes | Date: 23-Jan-07 |
| Material / Matière: Polyisocyanurate | |
| Color / Couleur: Aluminum | Finish / Fini: N/A |
| Description: 5412ESS 42" x 36" Top and Bottom Insulation | Detail Rev. |
| Part Number / Numéro Pièce: 5412ESS4236126THI-TP | Rev. 0 |

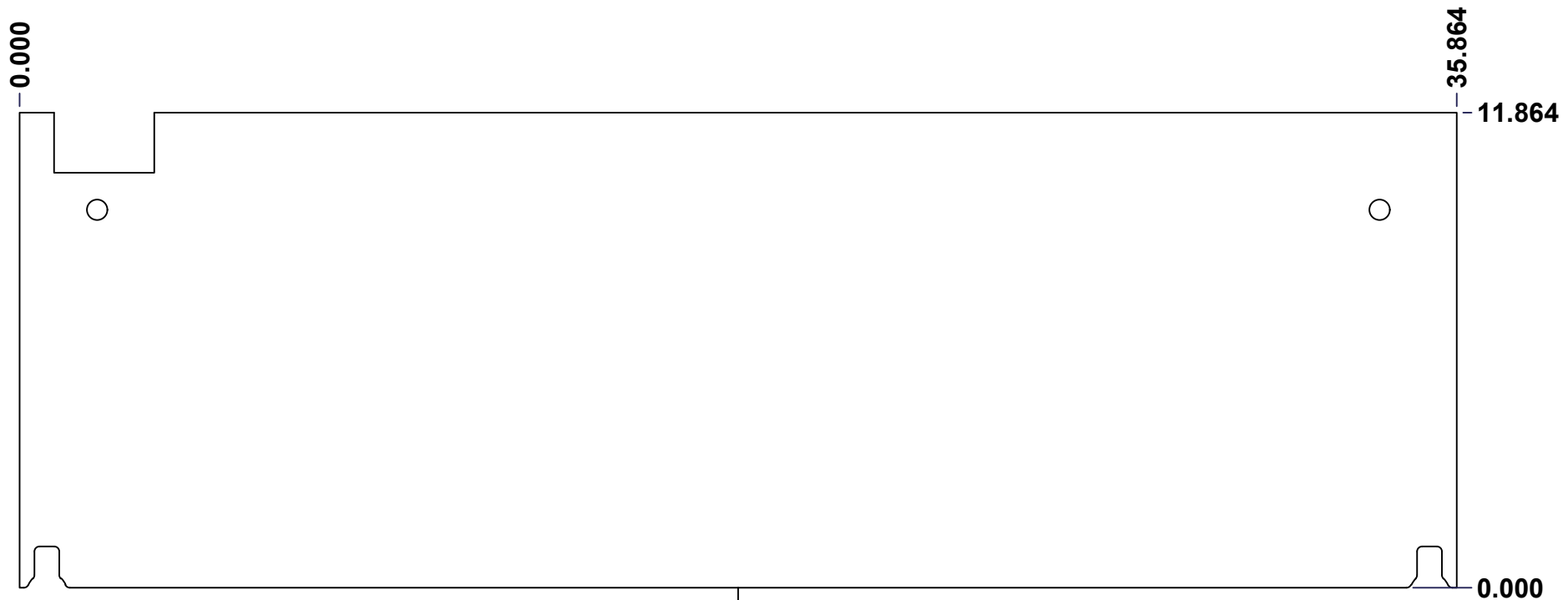
SEE BILL OF MATERIAL ON LAST PAGE

This drawing is confidential and must not be reproduced or used without the consent of EXM

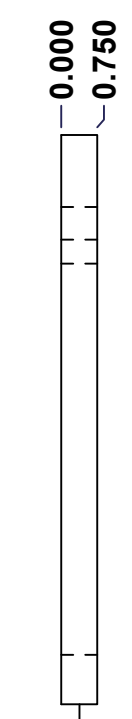
Ce dessin est confidentiel et ne doit pas être reproduit ou utilisé sans le consentement de EXM



TOP

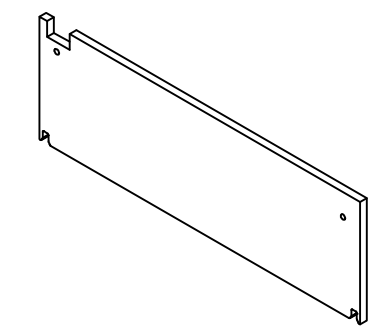


FRONT

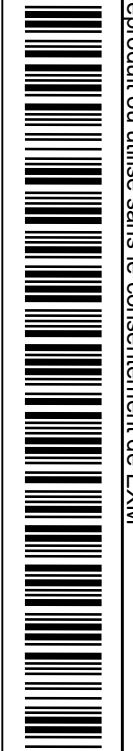



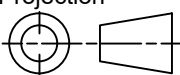
RIGHT

| No. | Revisions | Date | By/Par |
|-----|-----------|------|--------|
| | | | |
| | | | |
| | | | |
| | | | |



Isometric View

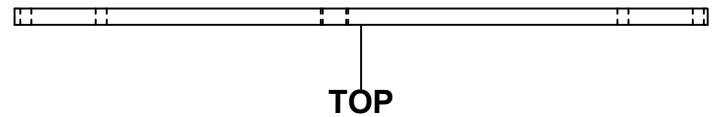


| | | |
|--|---------------------------|---|
|  Tél: (450) 979-4373 Fax: (450) 979-4626 www.exmweb.com | | Flatness Aplatissement Max 3.0mm Projection  |
| Customer Client | Date | |
| Drawn By Dessiné Par | BoxCad: Patrick Deschenes | Date 23-Jan-07 |
| Material Matière | Polyisocyanurate | |
| Color Couleur | Aluminum | Finish Fini N/A |
| Description | Detail Rev. | |
| 5412ESS 42" x 36" Top and Bottom Insulation | | |
| Part Number Numéro Pièce | Rev. | 15 |
| 5412ESS4236126THI-BT | 0 | 16 |

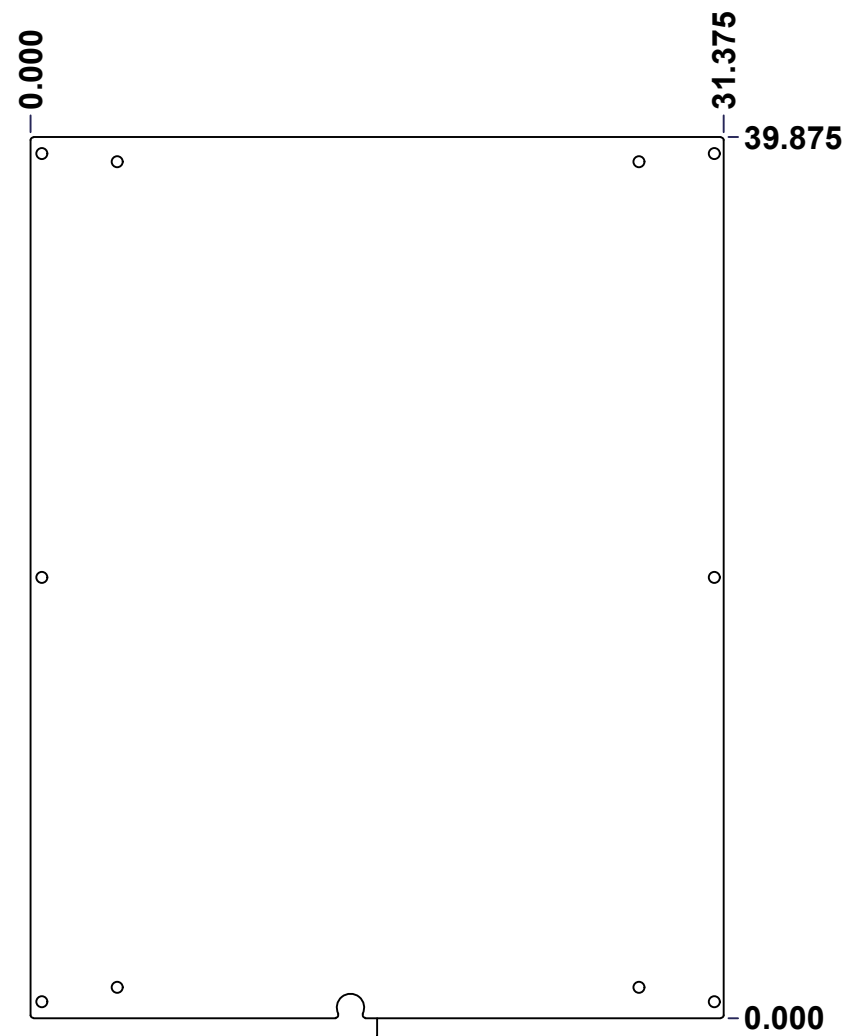
SEE BILL OF MATERIAL ON LAST PAGE

This drawing is confidential and must not be reproduced or used without the consent of EXM

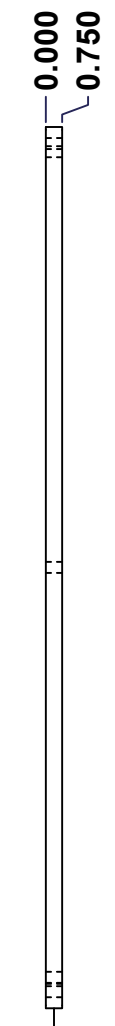
Ce dessin est confidentiel et ne doit pas être reproduit ou utilisé sans le consentement de EXM



TOP

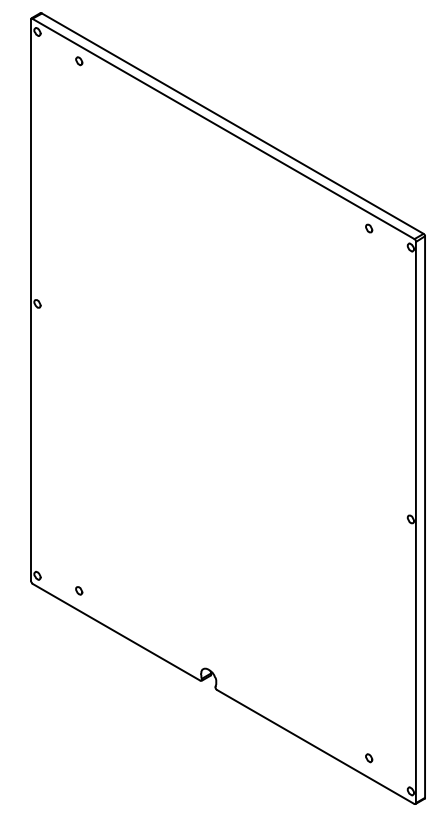


FRONT



RIGHT

| No. | Revisions | Date | By/Par |
|-----|-----------|------|--------|
| | | | |
| | | | |
| | | | |
| | | | |



Isometric View



Tél: (450) 979-4373
 Fax: (450) 979-4626
www.exmweb.com

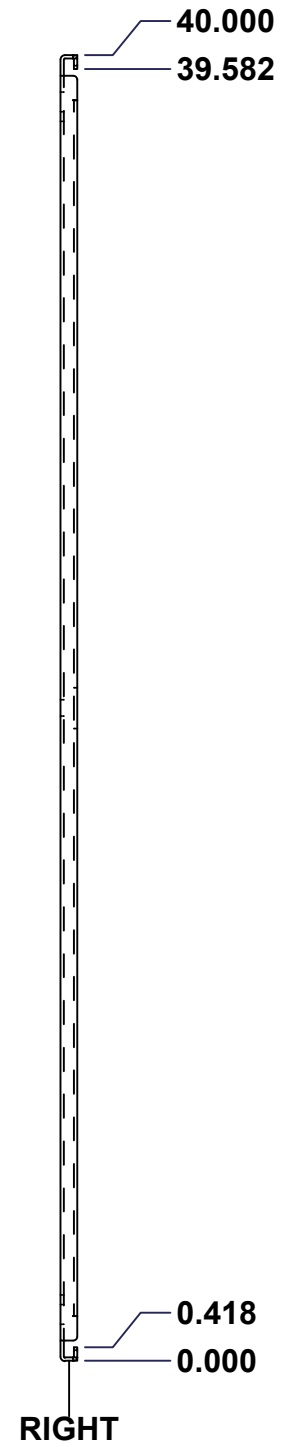
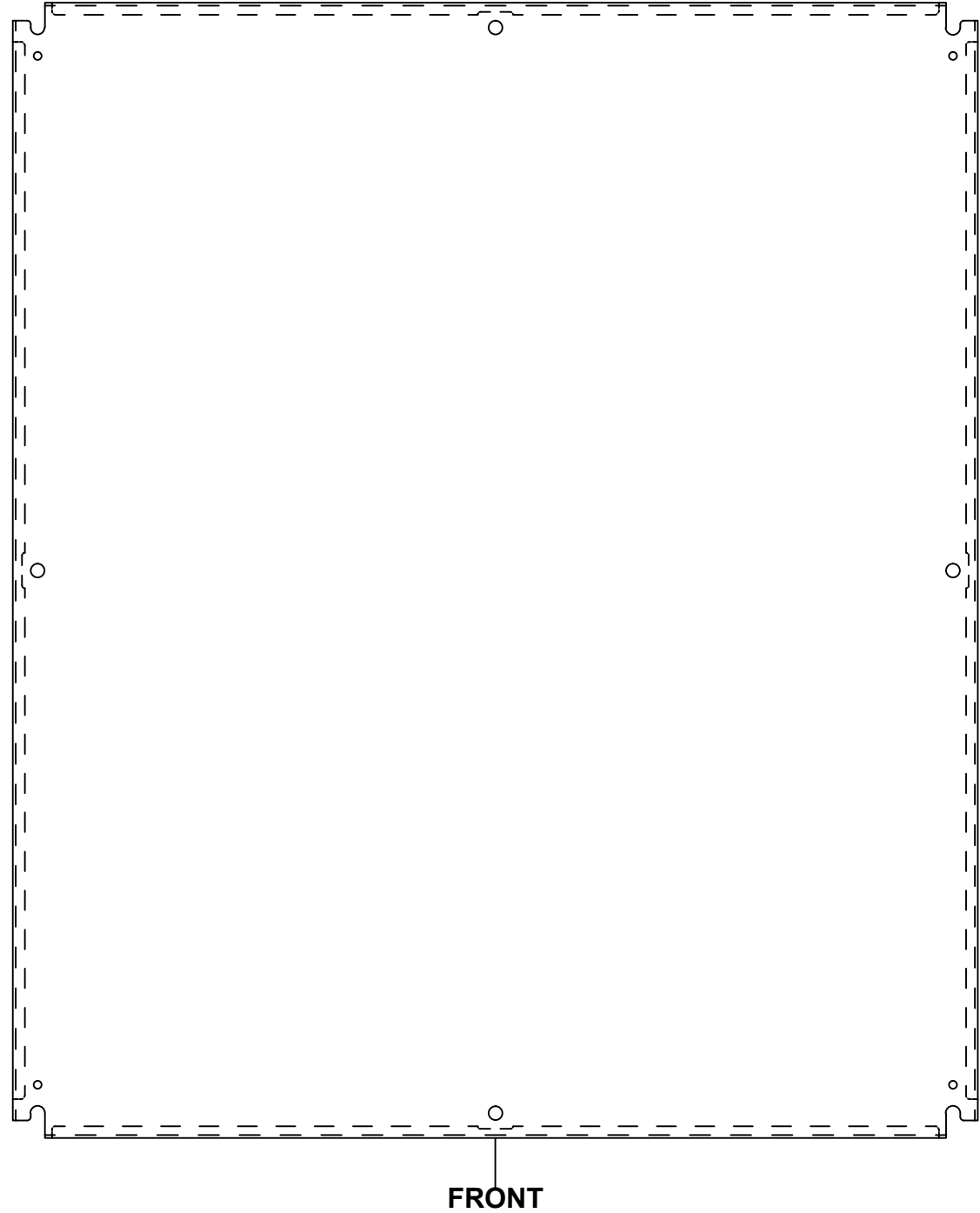
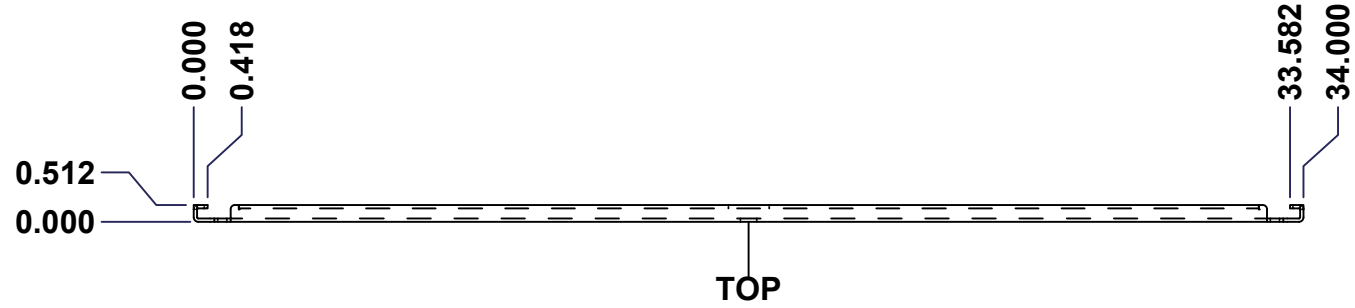
Flatness
 Aplatissement
 Max 3.0mm
 Projection

| | |
|--|--------------------|
| Customer Client | Date |
| Drawn By Dessiné Par BoxCad: Patrick Deschenes | Date 23-Jan-07 |
| Material Matière Polyisocyanurate | |
| Color Couleur Aluminum | Finish Fini N/A |
| Description 5412ESS 42" x 36" Cover Insulation | Detail Rev. |
| Part Number Numéro Pièce 5412ESS4236126THI-C | Rev. 0 |

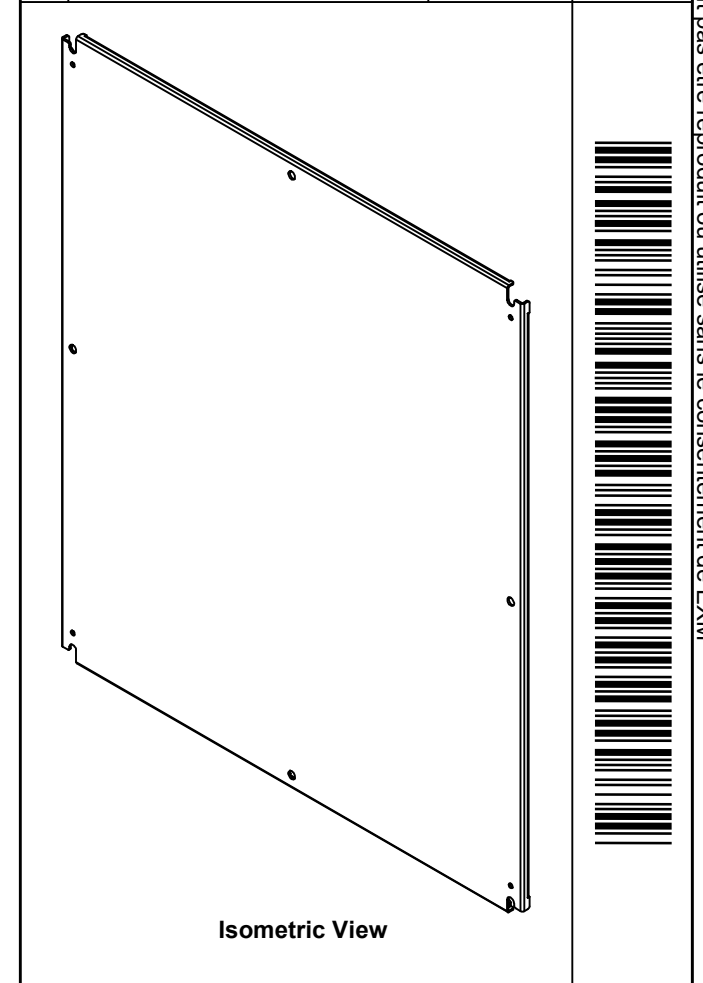
SEE BILL OF MATERIAL ON LAST PAGE

This drawing is confidential and must not be reproduced or used without the consent of EXM

Ce dessin est confidentiel et ne doit pas être reproduit ou utilisé sans le consentement de EXM



| No. | Revisions | Date | By/Par |
|-----|-----------|------|--------|
| | | | |
| | | | |
| | | | |
| | | | |
| | | | |



| | |
|--|--|
| Tél: (450) 979-4373 Fax: (450) 979-4626 www.exmweb.com | Flatness Aplatissement Max 3.0mm |
| | Projection |
| Customer Client | Date |
| Drawn By Dessiné Par BoxCad | Date 23-Jan-07 |
| Material Matière | See Part List |
| Color Couleur | See Part List |
| Finish Fini | See Part List |
| Description | Detail Rev. |
| 881 SP - Inner Panel | |
| Part Number Numéro Pièce | Rev. 1 |
| 881 SP4236G | 0 2 |

| Qty | Part Number | Rev | Description | Material | Color | Finish |
|-----|---------------|-----|---------------------------|------------------|-----------|------------|
| 1 | 881 SP4236G-P | 0 | 881 SP - Inner Panel Part | 12 Ga Galvanized | Unpainted | Galvanized |

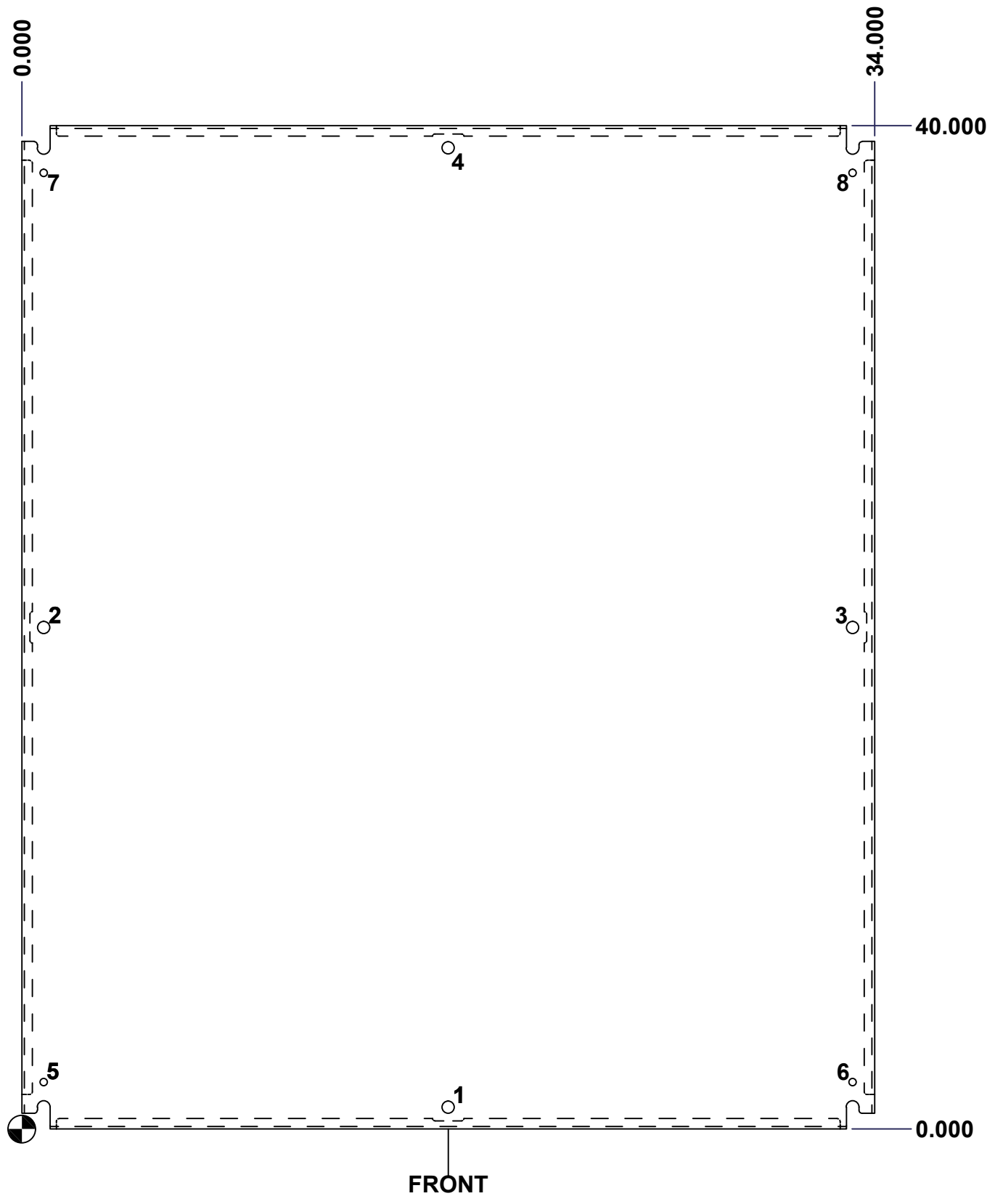
Parts List

This drawing is confidential and must not be reproduced or used without the consent of EXM

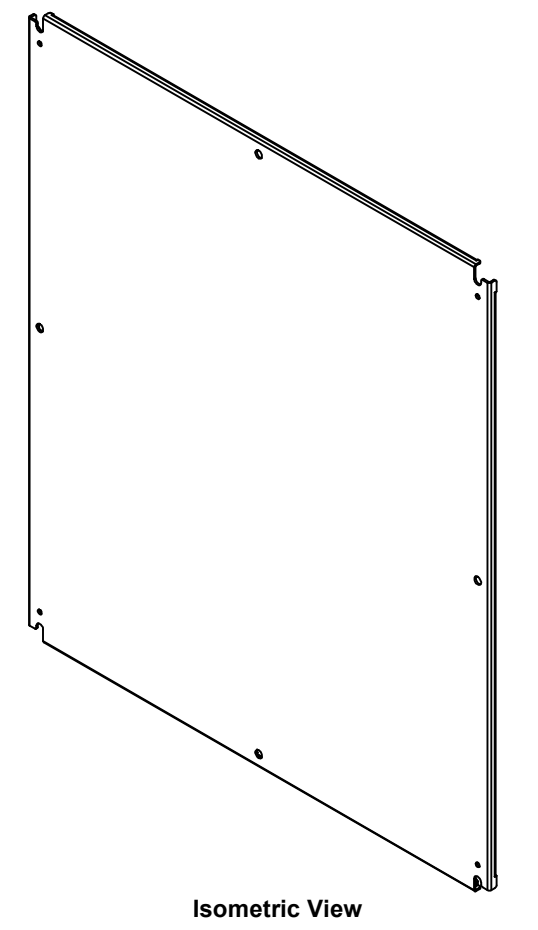
Ce dessin est confidentiel et ne doit pas être reproduit ou utilisé sans le consentement de EXM

| Table 1 | | | FRONT VIEW |
|---------|--------|--------|----------------------------|
| CUT-OUT | XDIM | YDIM | DESCRIPTION |
| 1 | 17.000 | 0.875 | MTG STUD HOLE (RND Ø0.500) |
| 2 | 0.875 | 20.000 | MTG STUD HOLE (RND Ø0.500) |
| 3 | 33.125 | 20.000 | MTG STUD HOLE (RND Ø0.500) |
| 4 | 17.000 | 39.125 | MTG STUD HOLE (RND Ø0.500) |
| 5 | 0.875 | 1.875 | GROUND HOLE (RND Ø0.290) |
| 6 | 33.125 | 1.875 | GROUND HOLE (RND Ø0.290) |
| 7 | 0.875 | 38.125 | GROUND HOLE (RND Ø0.290) |
| 8 | 33.125 | 38.125 | GROUND HOLE (RND Ø0.290) |

All knockouts are actual size / Les disques défonçables sont grandeur réel



| No. | Revisions | Date | By/Par |
|-----|-----------|------|--------|
| | | | |
| | | | |
| | | | |
| | | | |
| | | | |



| | | | | | |
|---|--|--|--|--|--|
| | | Tél: (450) 979-4373 Fax: (450) 979-4626 www.exmweb.com | | Flatness Aplatissement Max 3.0mm | |
| Customer Client | | Date | | Projection | |
| Drawn By Dessiné Par BoxCad | | Date 23-Jan-07 | | Material Matière See Part List | |
| Color Couleur See Part List | | Finish Fini See Part List | | Description 881 SP - Inner Panel | |
| Part Number Numéro Pièce 881 SP4236G | | Rev. 0 | | Detail Rev. 2 | |