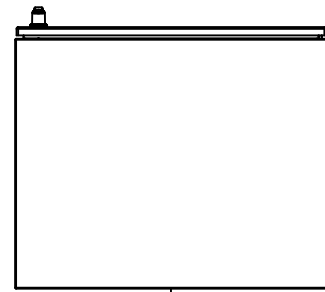
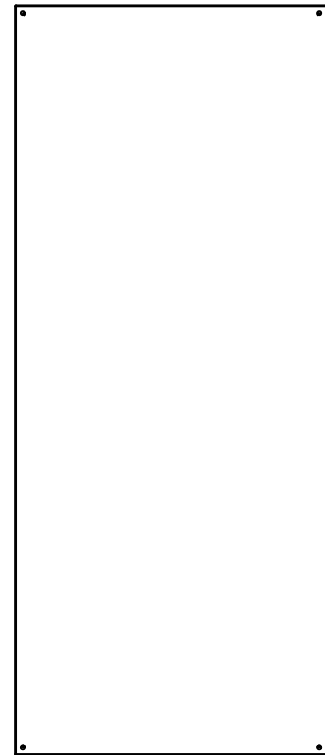


This drawing is confidential and must not be reproduced or used without the consent of EXM

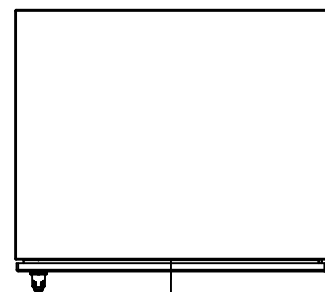
Ce dessin est confidentiel et ne doit pas être reproduit ou utilisé sans le consentement de EXM



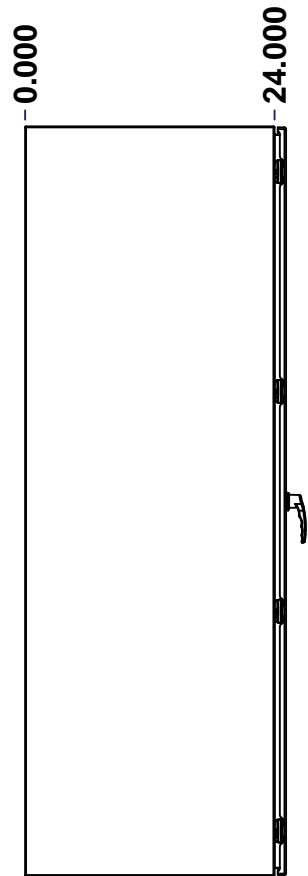
TOP



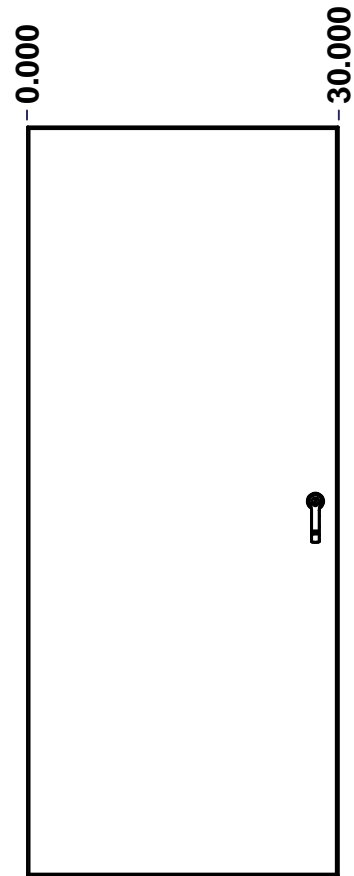
BACK



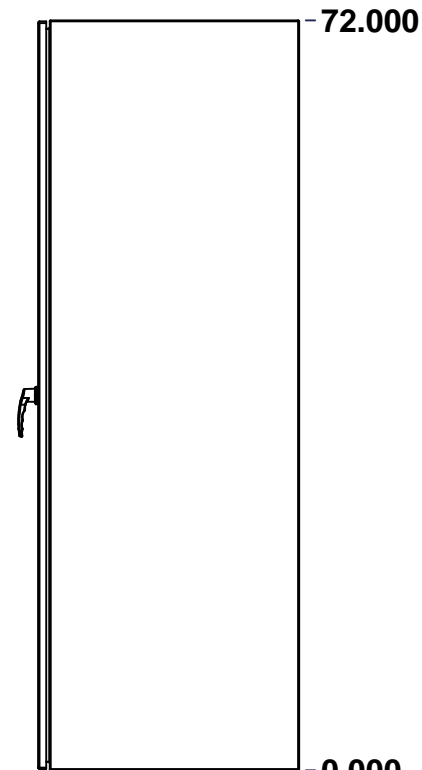
BOTTOM



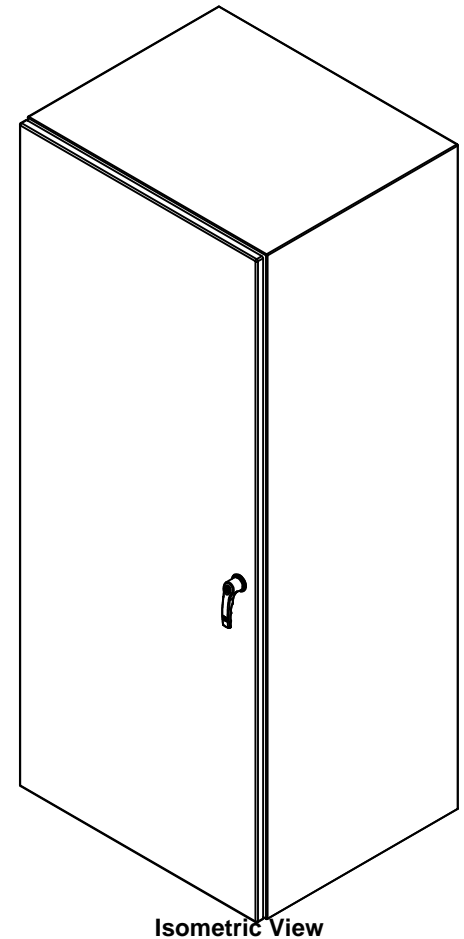
LEFT



FRONT



RIGHT




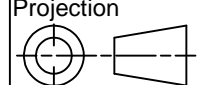
Isometric View



**GRAIN DIRECTION:  
TOP/BOTTOM: HORIZONTAL  
LEFT/RIGHT/BACK/FRONT: VERTICAL**

SEE BILL OF MATERIAL ON LAST PAGE

| No. | Revisions | Date | By/Par |
|-----|-----------|------|--------|
|     |           |      |        |
|     |           |      |        |
|     |           |      |        |
|     |           |      |        |
|     |           |      |        |

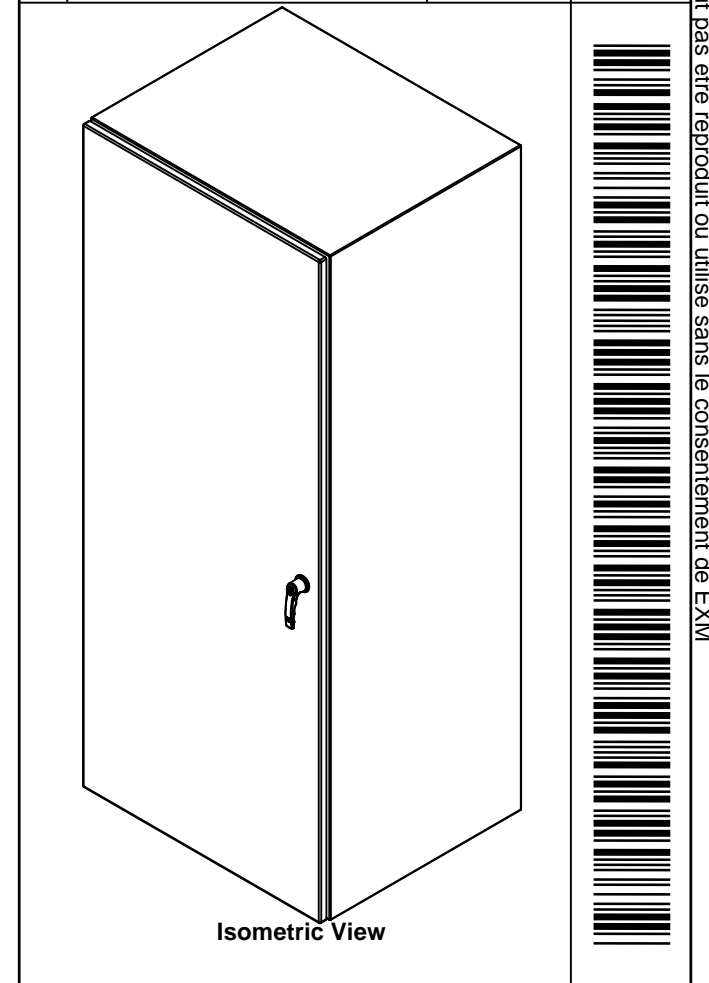
|  |                                   |   |
|--|-----------------------------------|---|
|  Tél: (450) 979-4373<br>Fax: (450) 979-4626<br><a href="http://www.exmweb.com">www.exmweb.com</a> |                                   | Flatness<br>Aplatissement<br>Max 3.0mm<br>Projection<br> |
| Customer<br>Client   | Date                              |   |
| Drawn By<br>Dessiné Par  | BoxCad: BoxCad                    | Date 14-May-14  |
| Material<br>Matière  | 14 Ga Stainless Steel 304 (1.7mm) |   |
| Color<br>Couleur   | Unpainted                         | Finish<br>Fini Brushed  |
| Description  | Detail Rev.                       |   |
| 5412ESSBU 72" x 30" x 24" Assembly   |                                   |   |
| Part Number<br>Numéro Pièce  | Rev.                              | 1   |
| 5412ESSBU723024  | 0                                 | 2   |

This drawing is confidential and must not be reproduced or used without the consent of EXM

Ce dessin est confidentiel et ne doit pas être reproduit ou utilisé sans le consentement de EXM

| NOTE |  |
|------|--|
| ITEM | DESCRIPTION                                |
| 1    | NEMA 4X Enclosure                          |
| 2    | C/W Standard ground studs on box and cover |
| 3    | C/W Standard door stiffener                |
| 4    | C/W Standard inner panel (Included)        |
| 5    | C/W Standard inner panel mounting studs    |

| No. | Revisions | Date | By/Par |
|-----|-----------|------|--------|
|     |           |      |        |
|     |           |      |        |
|     |           |      |        |
|     |           |      |        |
|     |           |      |        |
|     |           |      |        |



**EXM**  
www.exm.com

Tél: (450) 979-4373  
Fax: (450) 979-4626  
[www.exmweb.com](http://www.exmweb.com)

Flatness  
Aplatissement  
Max 3.0mm

Projection

| PACKING               |     |  |
|-----------------------|-----|--|
| ITEM                  | QTY | DESCRIPTION                                    |
| Cardboard sleeve      | 2   | Top and Bottom                                 |
| Cardboard strip       | 2   | Between back of enclosure and inner panel      |
| Plastic bag           | 1   | To protect cover surface and inside gasket     |
| Cardboard corner      | 4   | To reinforced for the plastic strap tightening |
| Plastic strap - Black | 2   | To Squeeze the 2 cardboard sleeve together     |
| Packaging label       | 3   | White label with PN                            |
| Plastic strap- Green  | 2   | To secure the enclosure to the wood pallet     |
| Wood Pallet           | 1   | 2" deeper and 3" larger than enclosure size    |

|            |                  |     |  |
|------------|------------------|-----|--|
| 1          | 880 PP           | 6   | Self Adhesive Print Pocket   |
| 1          | STK-K-01800      | 5   | 5412 ES Accessory Kit  |
| 1          | 881 SP7230G      | 0   | 881 SP - Inner Panel   |
| 1          | 5412ESSBU723024C | 0   | 5412ESSBU 72" x 30" Cover  |
| 6          | STK-Q-07310      | 2   | Flange Lock Nut M8   |
| 6          | STK-Q-07610      | 8   | M8 Plastic Spacer 22.2mm   |
| 1          | 5412ESSBU723024B | 0   | 5412ESSBU 72" x 30" x 24" Body   |
| 8          | STK-Q-04051-07   | 8   | M6 x 7mm Stainless Steel Hexagon Socket Head Machine Screw with Nyseal |
| Qty        | Part Number      | Rev | Description  |
| Parts List |                  |     |  |

Customer Client

Drawn By  
Dessiné Par BoxCad: BoxCad

Material  
Matière 14 Ga Stainless Steel 304 (1.7mm)

Color  
Couleur Unpainted

Finish  
Fini Brushed

Description  
5412ESSBU 72" x 30" x 24" Assembly

Part Number  
Numéro Pièce **5412ESSBU723024**

Date 14-May-14

Detail Rev.

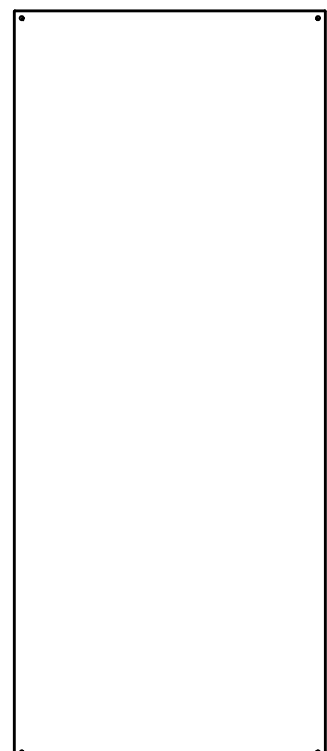
|      |   |
|------|---|
| Rev. | 2 |
| 0    | 2 |

This drawing is confidential and must not be reproduced or used without the consent of EXM

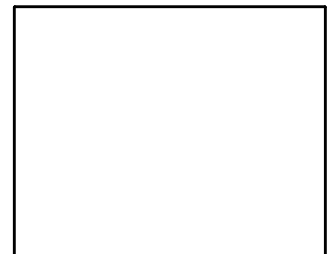
Ce dessin est confidentiel et ne doit pas être reproduit ou utilisé sans le consentement de EXM



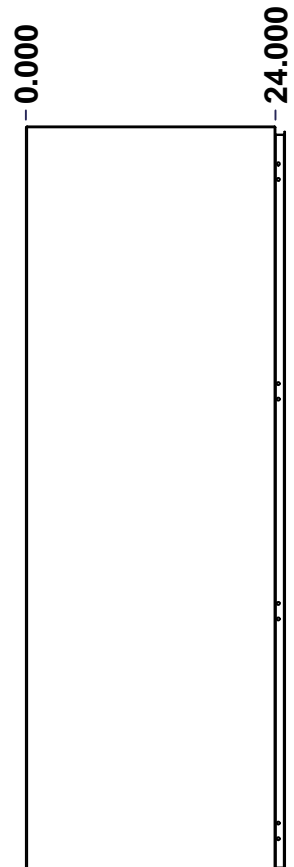
TOP



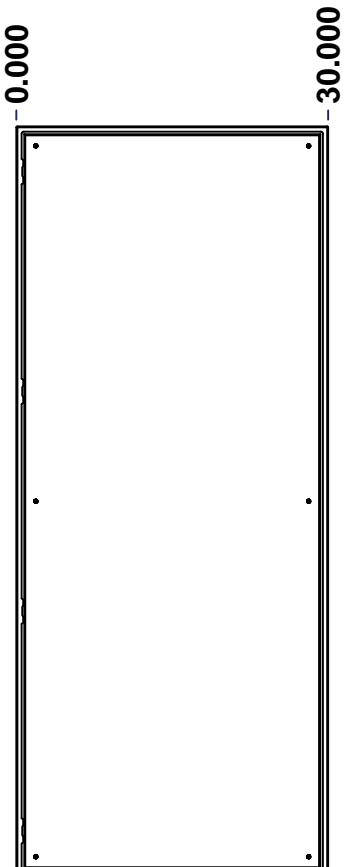
BACK



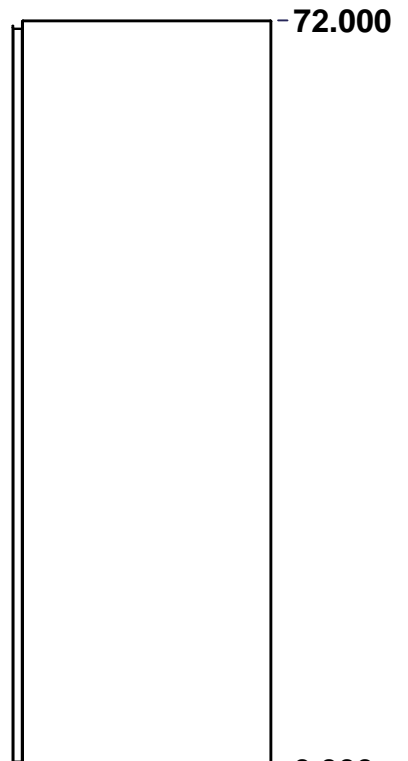
BOTTOM



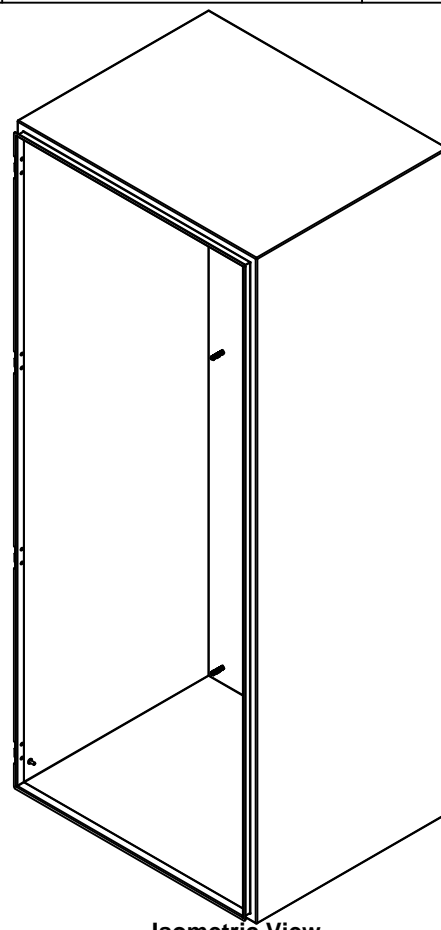
LEFT



FRONT




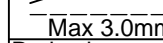
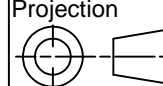
RIGHT



Isometric View



| No. | Revisions | Date | By/Par |
|-----|-----------|------|--------|
|     |           |      |        |
|     |           |      |        |
|     |           |      |        |
|     |           |      |        |
|     |           |      |        |

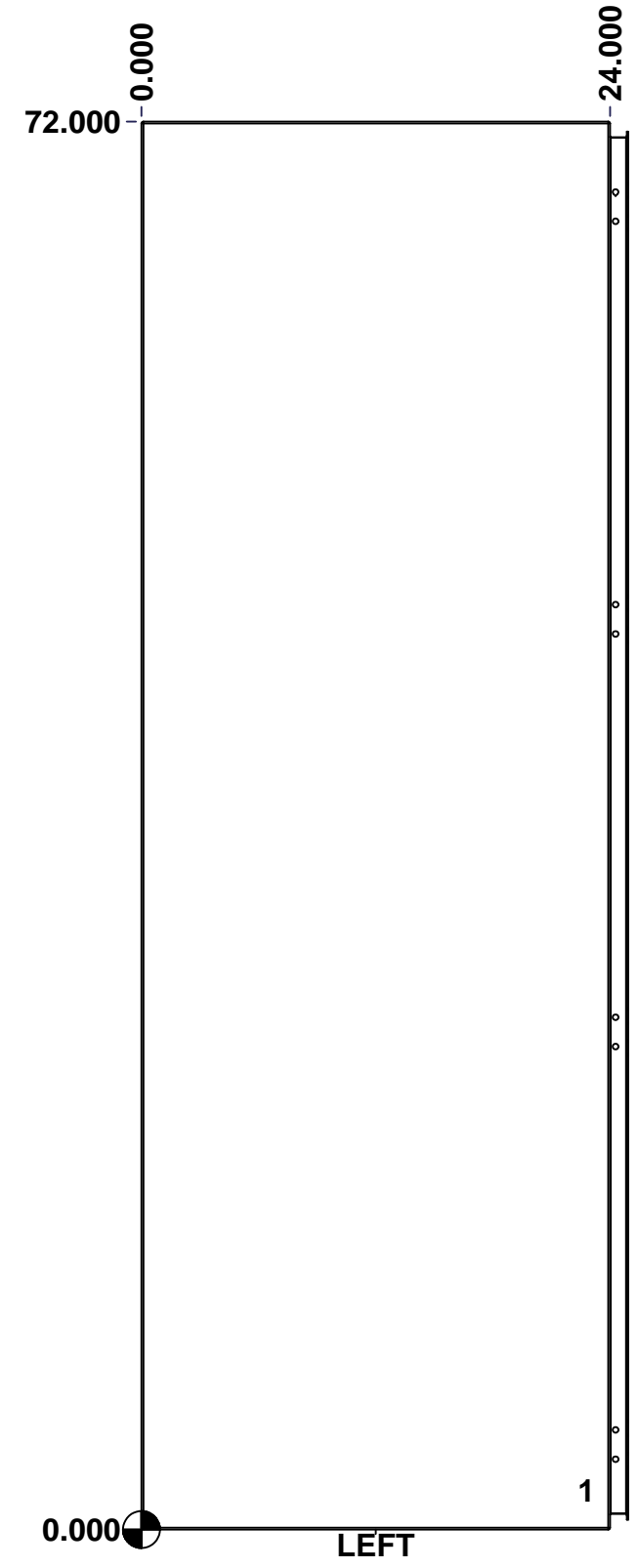
|  |                                   |   |
|--|-----------------------------------|---|
|  Tél: (450) 979-4373<br>Fax: (450) 979-4626<br><a href="http://www.exmweb.com">www.exmweb.com</a> |                                   | Flatness<br>Aplatissement<br> Max 3.0mm<br>Projection<br> |
| Customer<br>Client   | Date                              |   |
| Drawn By<br>Dessiné Par  | BoxCad: BoxCad                    | Date 14-May-14  |
| Material<br>Matière  | 14 Ga Stainless Steel 304 (1.7mm) |   |
| Color<br>Couleur   | Unpainted                         | Finish<br>Fin<br>Brushed  |
| Description  | Detail Rev.                       |   |
| 5412ESSBU 72" x 30" x 24" Body   |                                   |   |
| Part Number<br>Numéro Pièce  | Rev.                              | 1<br>7  |
| <b>5412ESSBU723024B</b>  | <b>0</b>                          |   |

SEE BILL OF MATERIAL ON LAST PAGE

This drawing is confidential and must not be reproduced or used without the consent of EXM

Ce dessin est confidentiel et ne doit pas être reproduit ou utilisé sans le consentement de EXM

| STANDARD FEATURES ARE NOT LISTED IN THIS HOLE TABLE |        |       |                             |
|---|--------|-------|-----------------------------|
| HOLE TABLE - LEFT VIEW (CUSTOM FEATURE ONLY)        |        |       |                             |
| CUT-OUT   | XDIM   | YDIM  | DESCRIPTION                 |
| 1   | 22.500 | 2.000 | GND STUD M6 x 16mm (Inside) |



|  |                                |          |       |
|--|--------------------------------|----------|-------|
|  | Description                    | Status   |       |
|  | 5412ESSBU 72" x 30" x 24" Body |          |       |
|  | Part Number<br>Numéro Pièce    | Rev.     |       |
|  | <b>5412ESSBU723024B</b>        | <b>0</b> | 5 / 7 |

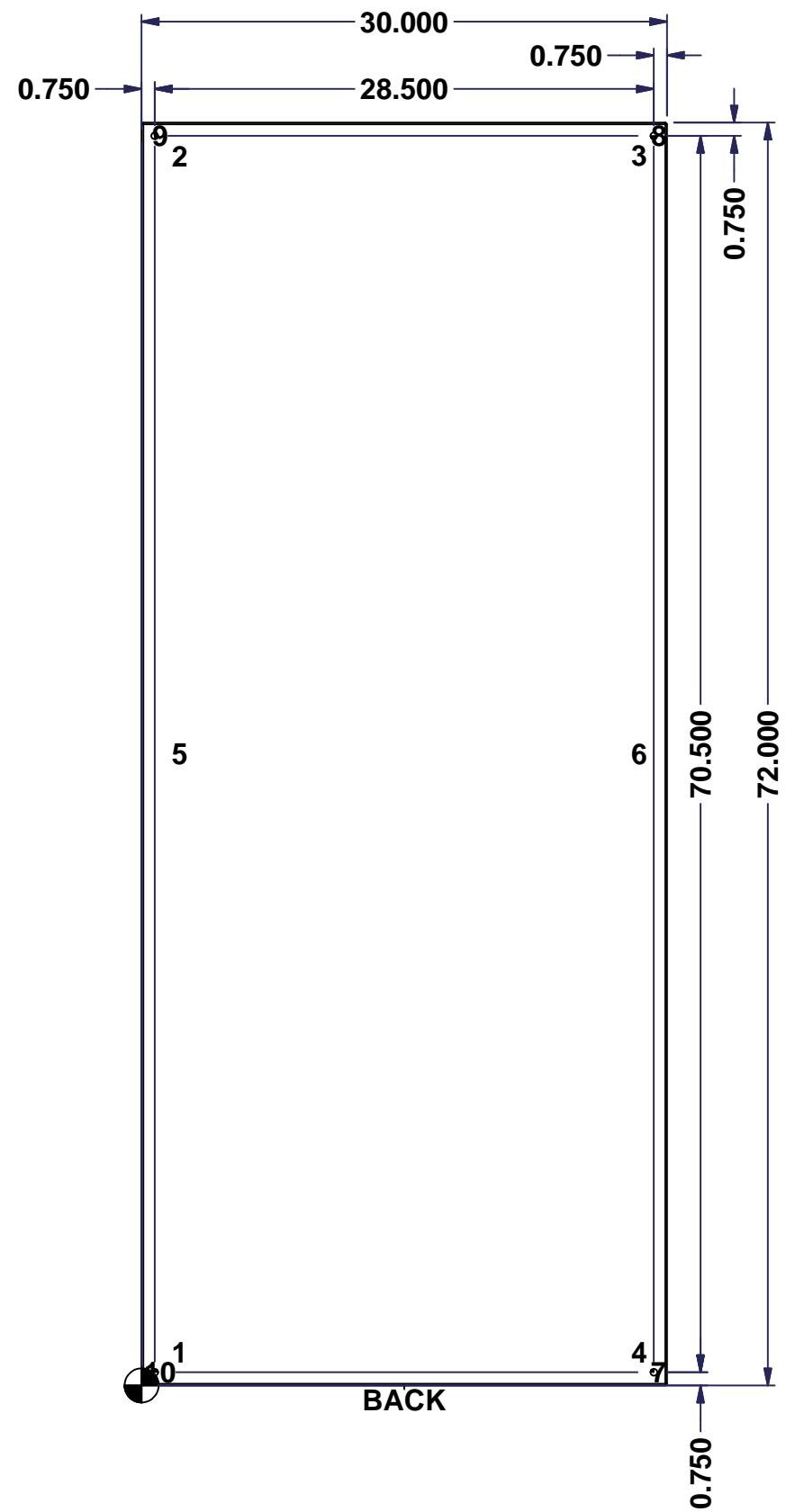
This drawing is confidential and must not be reproduced or used without the consent of EXM

Ce dessin est confidentiel et ne doit pas être reproduit ou utilisé sans le consentement de EXM

**STANDARD FEATURES ARE NOT LISTED IN THIS HOLE TABLE**

**HOLE TABLE - BACK VIEW (CUSTOM FEATURE ONLY)**

| CUT-OUT | XDIM   | YDIM   | DESCRIPTION                |
|---------|--------|--------|----------------------------|
| 1       | 1.875  | 1.875  | IP STUD M8 x 35mm (Inside) |
| 2       | 1.875  | 70.125 | IP STUD M8 x 35mm (Inside) |
| 3       | 28.125 | 70.125 | IP STUD M8 x 35mm (Inside) |
| 4       | 28.125 | 1.875  | IP STUD M8 x 35mm (Inside) |
| 5       | 1.875  | 36.000 | IP STUD M8 x 35mm (Inside) |
| 6       | 28.125 | 36.000 | IP STUD M8 x 35mm (Inside) |
| -----   |        |        |                            |
| 7       | 29.250 | 0.750  | RND Ø0.390                 |
| 8       | 29.250 | 71.250 | RND Ø0.390                 |
| 9       | 0.750  | 71.250 | RND Ø0.390                 |
| 10      | 0.750  | 0.750  | RND Ø0.390                 |

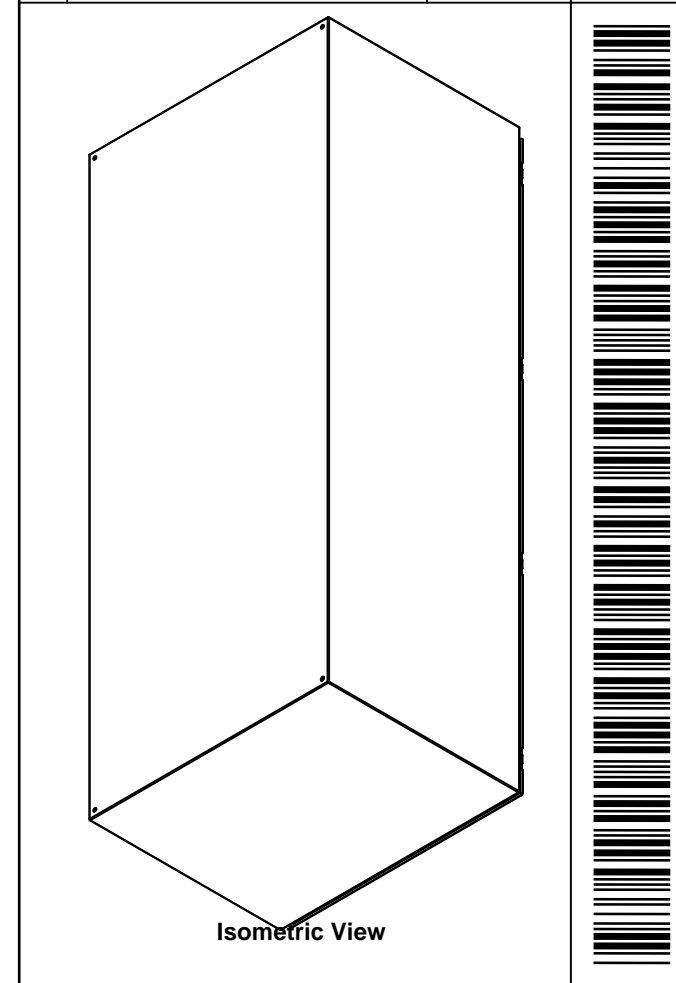


|  |                                |          |
|--|--------------------------------|----------|
|  | Description                    | Status   |
|  | 5412ESSBU 72" x 30" x 24" Body |          |
|  | Part Number<br>Numéro Pièce    | Rev.     |
|  | <b>5412ESSBU723024B</b>        | <b>0</b> |
|  |                                | 6        |
|  |                                | 7        |

This drawing is confidential and must not be reproduced or used without the consent of EXM

Ce dessin est confidentiel et ne doit pas être reproduit ou utilisé sans le consentement de EXM

| No. | Revisions | Date | By/Par |
|-----|-----------|------|--------|
|     |           |      |        |
|     |           |      |        |
|     |           |      |        |
|     |           |      |        |
|     |           |      |        |

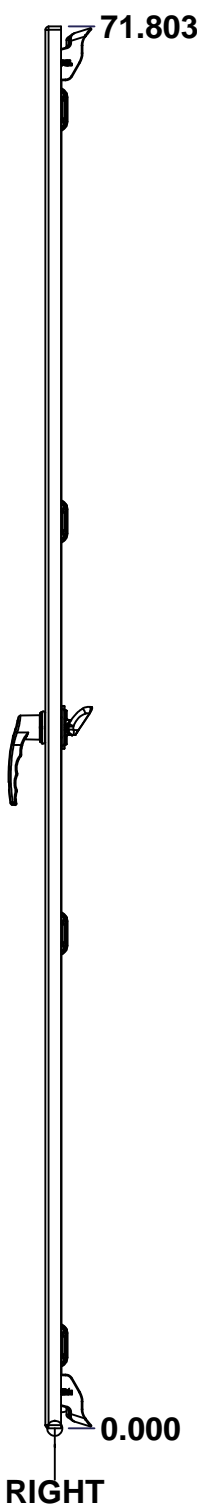
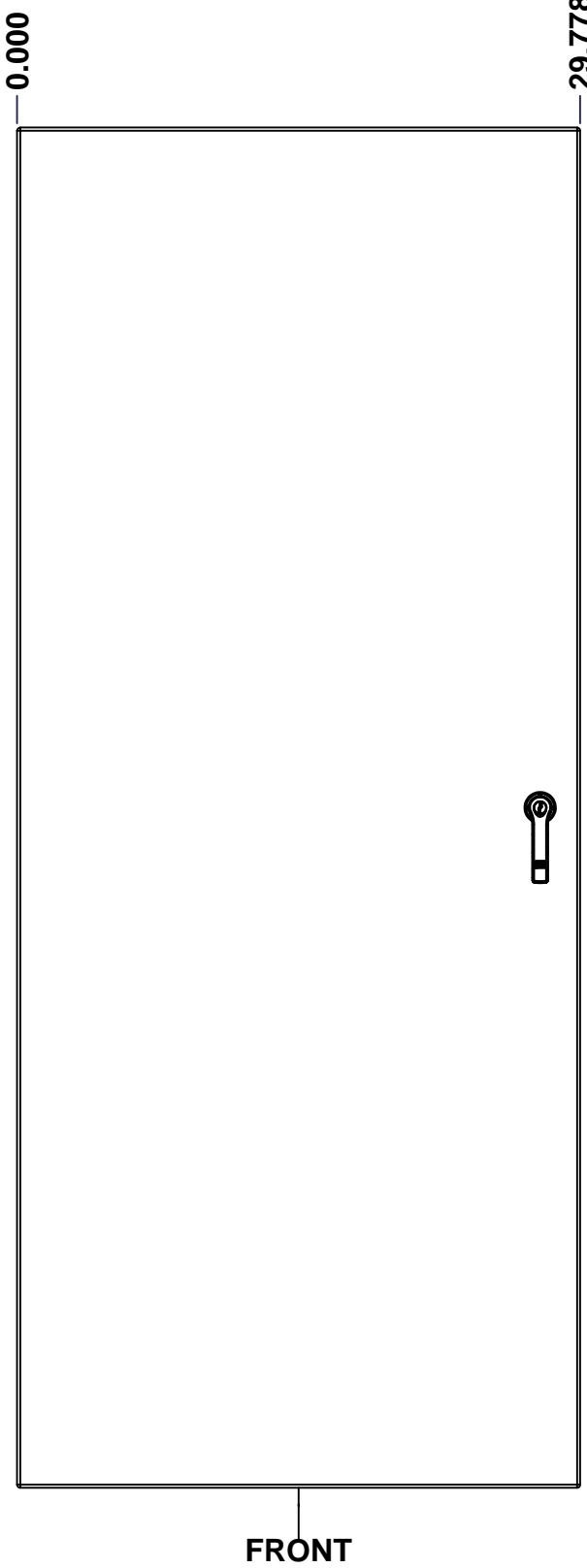
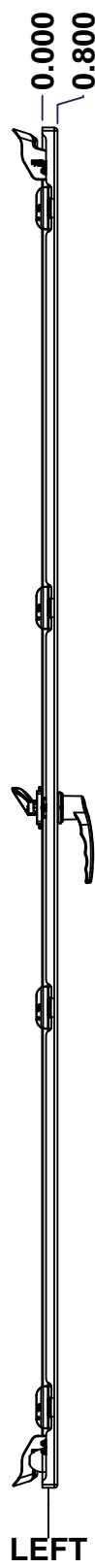
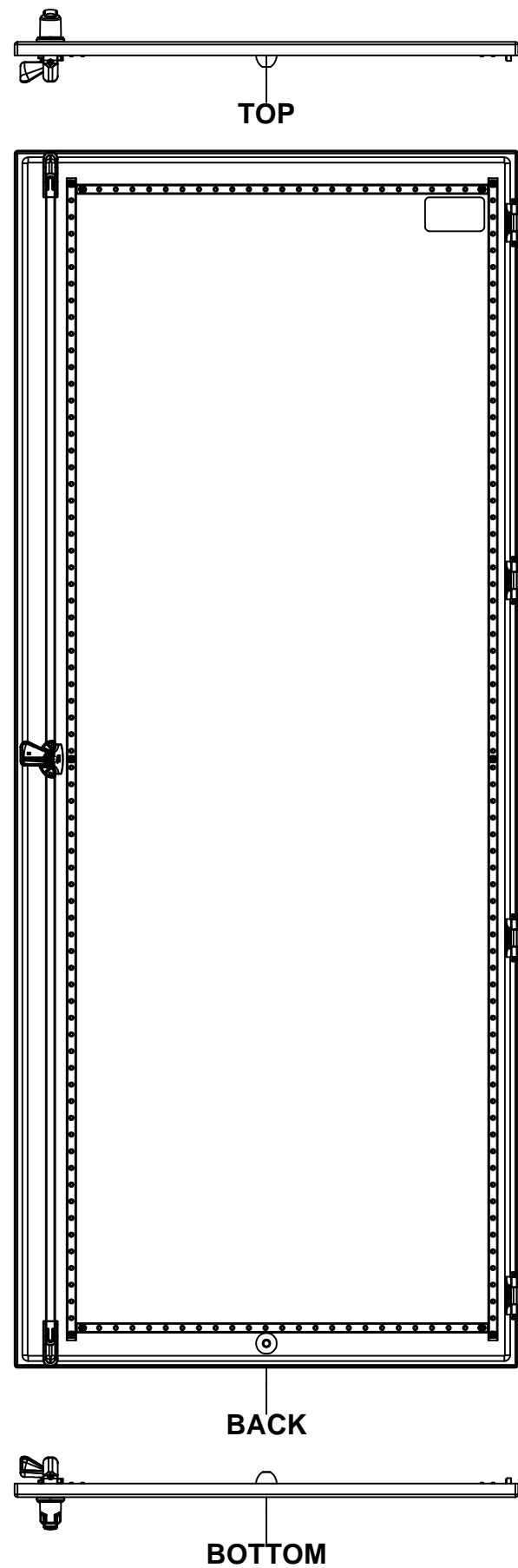


|  |                                   |   |
|--|-----------------------------------|---|
|  Tél: (450) 979-4373<br>Fax: (450) 979-4626<br><a href="http://www.exmweb.com">www.exmweb.com</a> |                                   | Flatness<br>Aplatissement<br>Max 3.0mm<br>Projection<br> |
| Customer<br>Client   | Date                              |   |
| Drawn By<br>Dessiné Par  | BoxCad: BoxCad                    | Date 14-May-14  |
| Material<br>Matière  | 14 Ga Stainless Steel 304 (1.7mm) |   |
| Color<br>Couleur   | Unpainted                         | Finish<br>Fini<br>Brushed   |
| Description  | Detail Rev.                       |   |
| 5412ESSBU 72" x 30" x 24" Body   |                                   | Rev. 7  |
| Part Number<br>Numéro Pièce  | Rev. 0                            | 7   |
| <b>5412ESSBU723024B</b>  |                                   |   |

| Qty        | Part Number        | Rev | Description                           |
|------------|--------------------|-----|---------------------------------------|
| 1          | STK-Q-16085        | 0   | Ground Stud M6 x 16mm Stainless Steel |
| 6          | STK-Q-16020        | 1   | Stud M8 x 35mm Stainless Steel        |
| 1          | 5412ESSBU723024B-P | 0   | 5412ESSBU 72" x 30" x 24" Body Part   |
| Parts List |                    |     |                                       |

This drawing is confidential and must not be reproduced or used without the consent of EXM

Ce dessin est confidentiel et ne doit pas être reproduit ou utilisé sans le consentement de EXM



| No. | Revisions | Date | By/Par |
|-----|-----------|------|--------|
|     |           |      |        |
|     |           |      |        |
|     |           |      |        |
|     |           |      |        |
|     |           |      |        |

**Isometric View**

|  |                |                                   |         |
|--|----------------|-----------------------------------|---------|
| Tél: (450) 979-4373<br>Fax: (450) 979-4626<br><a href="http://www.exmweb.com">www.exmweb.com</a> |                | Flatness<br>Aplatissement         |         |
|  |                | Max 3.0mm                         |         |
| Customer<br>Client   |                | Projection                        |         |
| Date   |                |                                   |         |
| Drawn By<br>Dessiné Par  | BoxCad: BoxCad | Date 14-May-14                    |         |
| Material<br>Matière  |                | 14 Ga Stainless Steel 304 (1.7mm) |         |
| Color<br>Couleur   | Unpainted      | Finish<br>Fini                    | Brushed |
| Description  |                | Detail Rev.                       |         |
| 5412ESSBU 72" x 30" Cover  |                |                                   |         |
| Part Number<br>Numéro Pièce  |                | Rev.                              | 1       |
| 5412ESSBU723024C   |                | 0                                 | 3       |

SEE BILL OF MATERIAL ON LAST PAGE

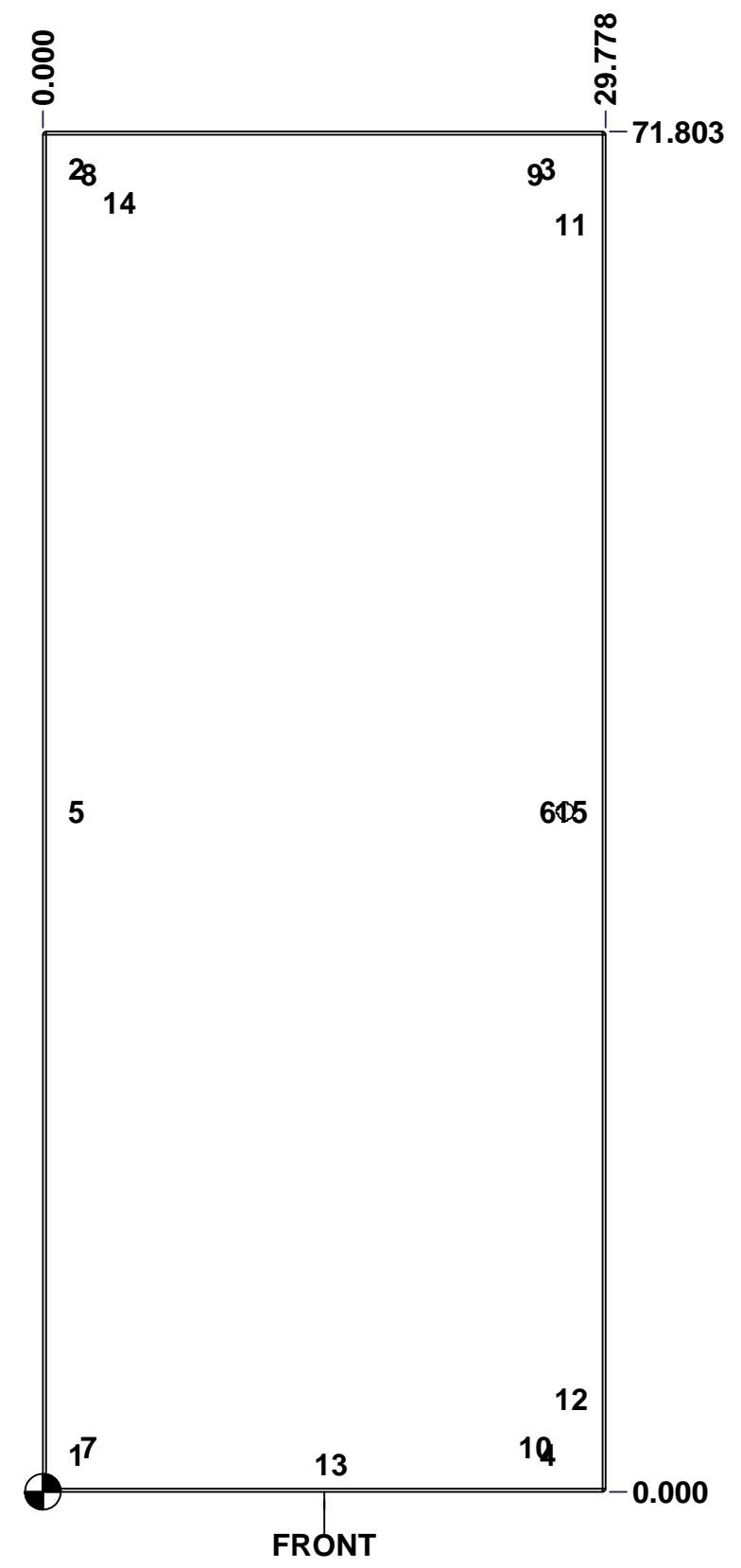
This drawing is confidential and must not be reproduced or used without the consent of EXM

Ce dessin est confidentiel et ne doit pas être reproduit ou utilisé sans le consentement de EXM

**STANDARD FEATURES ARE NOT LISTED IN THIS HOLE TABLE**

**HOLE TABLE - FRONT VIEW (CUSTOM FEATURE ONLY)**

| CUT-OUT | XDIM   | YDIM   | DESCRIPTION                 |
|---------|--------|--------|-----------------------------|
| 1       | 1.486  | 1.945  | STUD M6 x 18mm (Inside)     |
| 2       | 1.486  | 69.858 | STUD M6 x 18mm (Inside)     |
| 3       | 26.423 | 69.858 | STUD M6 x 18mm (Inside)     |
| 4       | 26.423 | 1.945  | STUD M6 x 18mm (Inside)     |
| 5       | 1.486  | 35.902 | STUD M6 x 18mm (Inside)     |
| 6       | 26.423 | 35.902 | STUD M6 x 18mm (Inside)     |
| 7       | 2.143  | 2.350  | STUD M6 x 18mm (Inside)     |
| 8       | 2.143  | 69.524 | STUD M6 x 18mm (Inside)     |
| 9       | 25.766 | 69.524 | STUD M6 x 18mm (Inside)     |
| 10      | 25.766 | 2.350  | STUD M6 x 18mm (Inside)     |
| 11      | 27.663 | 66.896 | CLOSING BAR STUD (Inside)   |
| 12      | 27.663 | 4.907  | CLOSING BAR STUD (Inside)   |
| 13      | 14.959 | 1.435  | STUD M6 x 18mm (Inside)     |
| -----   |        |        |                             |
| 14      | 3.750  | 68.053 | LABEL_EXM (Inside)          |
| 15      | 27.663 | 35.902 | HANDLE 885 ESL2A-LSS @ 0.0° |



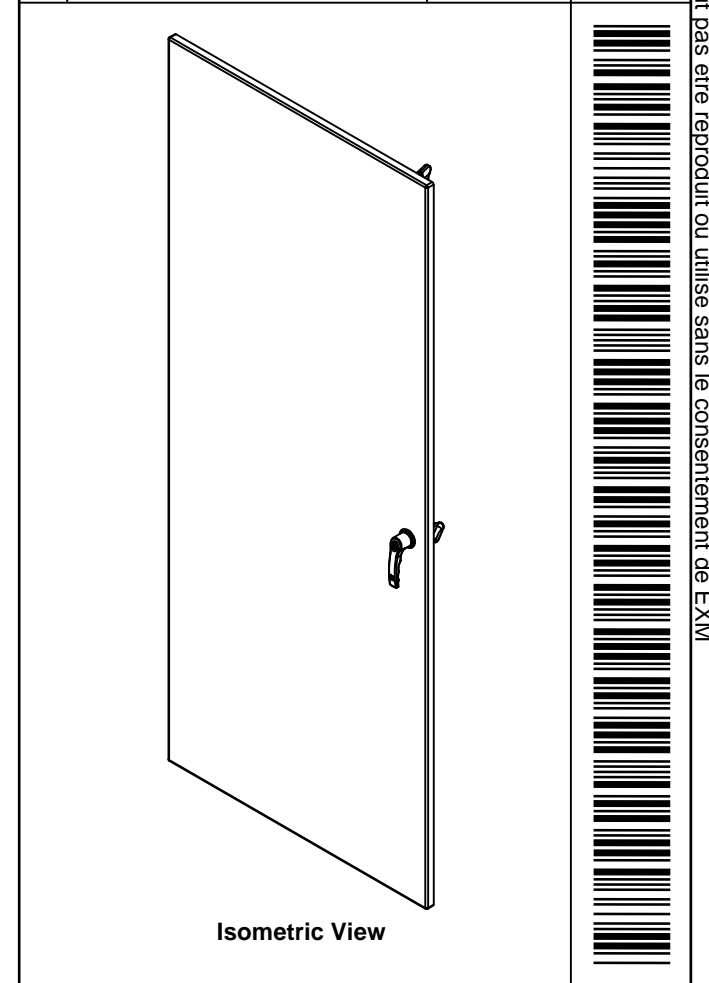
|  |                             |          |
|--|-----------------------------|----------|
|  | Description                 | Status   |
|  | 5412ESSBU 72" x 30" Cover   | (NULL)   |
|  | Part Number<br>Numéro Pièce | Rev.     |
|  | <b>5412ESSBU723024C</b>     | <b>0</b> |
|  |                             | 2        |
|  |                             | 3        |



This drawing is confidential and must not be reproduced or used without the consent of EXM

Ce dessin est confidentiel et ne doit pas être reproduit ou utilisé sans le consentement de EXM

| No. | Revisions | Date | By/Par |
|-----|-----------|------|--------|
|     |           |      |        |
|     |           |      |        |
|     |           |      |        |
|     |           |      |        |
|     |           |      |        |

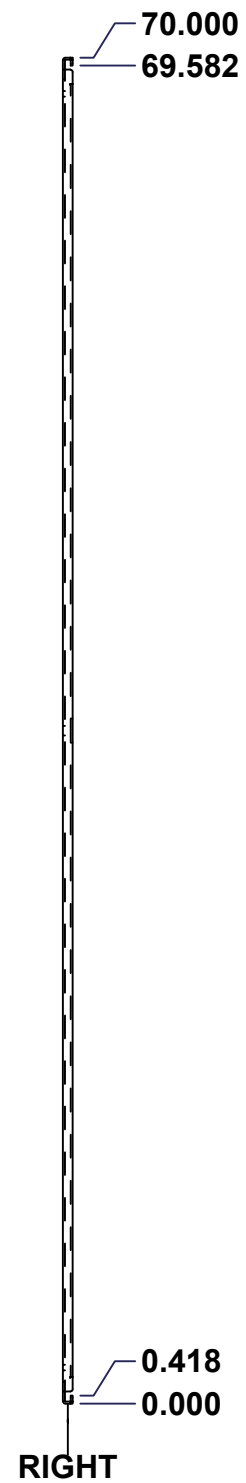
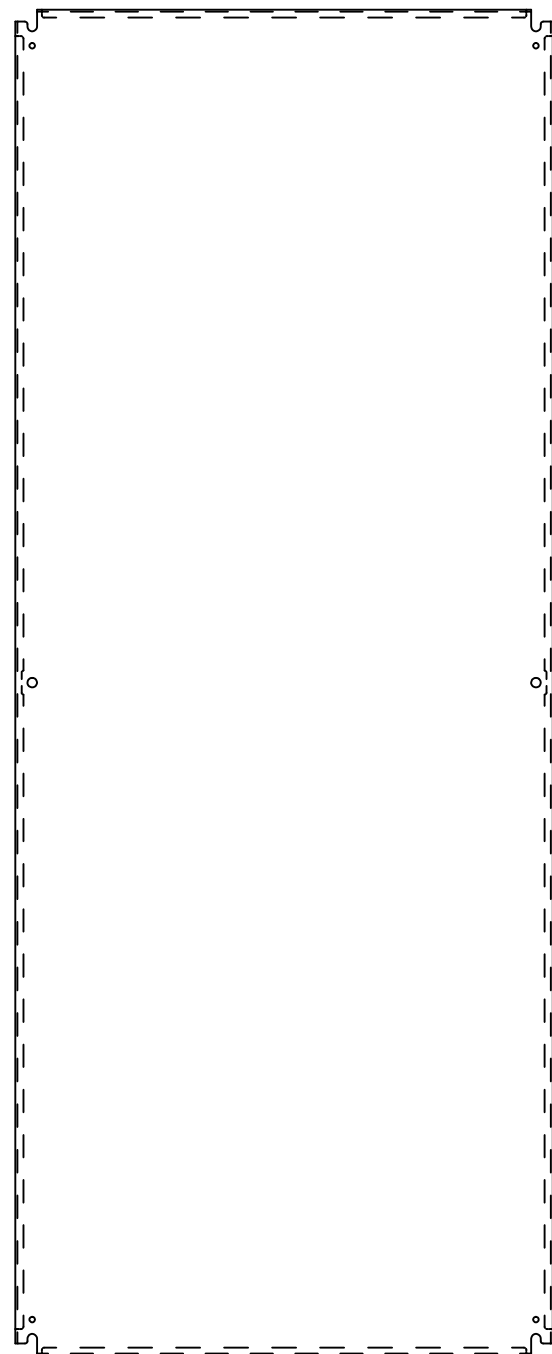
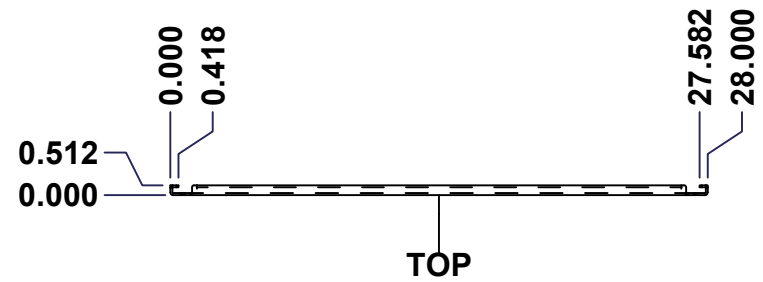


| 2          | STK-Q-90042        | 4   | 5412 ES - Cabinet Closing Bar End (Small)    |
|------------|--------------------|-----|--|
| 2          | STK-Q-45655-72     | 0   | 5412 ES - Closing Bar                        |
| 1          | STK-Q-50536        | 11  | 5412 ES - Handle Cam Clockwise (Grip 32mm)   |
| 1          | 885 ESL2A-LSS      | 3   | 5412 ESS Key Lock L-Handle (3 Pts)           |
| 1          | STK-S-00100        | 0   | 3.5" x 2" Silver Milar Flexcon Sticker       |
| 1          | STK-Q-46515        | 3   | 5412 ES Door Support with Brass Insert       |
| 11         | STK-Q-16070        | 1   | Stud M6 x 18mm Stainless steel               |
| 1          | 5412ESSBU723024G   | 0   | 5412ESSBU 72" x 30" Cover Gasket Part        |
| 4          | STK-A-33006        | 2   | 5412 ESSBU Hinge 180° (Body Part)            |
| 2          | STK-Q-46025-30-3   | 4   | 5412 ES Horizontal Door Stiffener 30" (3Pts) |
| 2          | STK-Q-46020-72     | 5   | 5412 ES Vertical Door Stiffener 72"          |
| 2          | STK-Q-16407        | 2   | Guide Stud - Small (No Paint Cap Required)   |
| 1          | 5412ESSBU723024C-P | 0   | 5412ESSBU 72" x 30" Cover Part               |
| 10         | STK-Q-07220        | 1   | M6 Nylon Insert Lock Nut                     |
| Qty        | Part Name          | Rev | Description                                  |
| Parts List |                    |     |  |

|                             |  |  |
|-----------------------------|--|--|
|                             | Tél: (450) 979-4373<br>Fax: (450) 979-4626<br><a href="http://www.exmweb.com">www.exmweb.com</a> | Flatness<br>Aplatissement<br>Max 3.0mm |
|                             | Projection   |  |
| Customer Client             | Date   |  |
| Drawn By<br>Dessiné Par     | BoxCad: BoxCad   | Date 14-May-14                         |
| Material<br>Matière         | 14 Ga Stainless Steel 304 (1.7mm)  |  |
| Color<br>Couleur            | Unpainted  | Finish<br>Fini<br>Brushed              |
| Description                 | Detail Rev.  |  |
| 5412ESSBU 72" x 30" Cover   |  |  |
| Part Number<br>Numéro Pièce | Rev.   | 3                                      |
| <b>5412ESSBU723024C</b>     | <b>0</b>   | <b>3</b>                               |

This drawing is confidential and must not be reproduced or used without the consent of EXM

Ce dessin est confidentiel et ne doit pas être reproduit ou utilisé sans le consentement de EXM



| No. | Revisions | Date | By/Par |
|-----|-----------|------|--------|
|     |           |      |        |
|     |           |      |        |
|     |           |      |        |
|     |           |      |        |
|     |           |      |        |

Isometric View

|  |               |  |
|--|---------------|--|
| Tél: (450) 979-4373<br>Fax: (450) 979-4626<br>www.exmweb.com |               | Flatness<br>Aplatissement<br>Max 3.0mm<br>Projection<br> |
| Customer<br>Client   | Date          |  |
| Drawn By<br>Dessiné Par                                      | BoxCad        | Date 1/23/2007   |
| Material<br>Matière  | See Part List |  |
| Color<br>Couleur   | See Part List | Finish<br>Fini See Part List                             |
| Description  |               | Detail Rev.  |
| 881 SP - Inner Panel   |               |  |
| Part Number<br>Numéro Pièce                                  | 881 SP7230G   | Rev. 1<br>0  |

| Qty | Part Number   | Rev | Description               | Material         | Color     | Finish     |
|-----|---------------|-----|---------------------------|------------------|-----------|------------|
| 1   | 881 SP7230G-P | 0   | 881 SP - Inner Panel Part | 12 Ga Galvanized | Unpainted | Galvanized |

Parts List

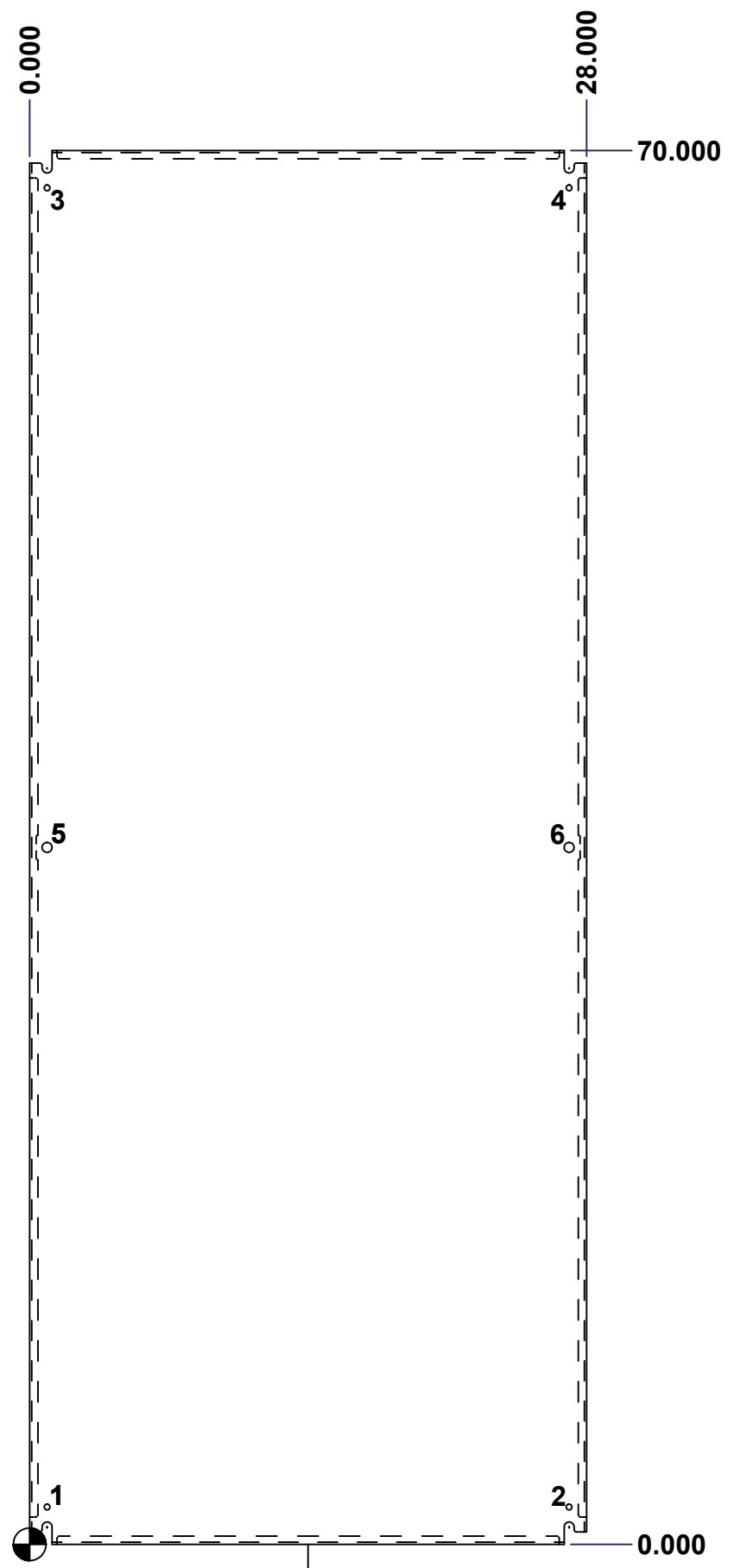
This drawing is confidential and must not be reproduced or used without the consent of EXM

Ce dessin est confidentiel et ne doit pas être reproduit ou utilisé sans le consentement de EXM

| Table 1 |        |        | FRONT VIEW                 |
|---------|--------|--------|----------------------------|
| CUT-OUT | XDIM   | YDIM   | DESCRIPTION                |
| 1       | 0.875  | 1.875  | GROUND HOLE (RND Ø0.290)   |
| 2       | 27.125 | 1.875  | GROUND HOLE (RND Ø0.290)   |
| 3       | 0.875  | 68.125 | GROUND HOLE (RND Ø0.290)   |
| 4       | 27.125 | 68.125 | GROUND HOLE (RND Ø0.290)   |
| 5       | 0.875  | 35.000 | MTG STUD HOLE (RND Ø0.500) |
| 6       | 27.125 | 35.000 | MTG STUD HOLE (RND Ø0.500) |

All knockouts are actual size / Les disques défonçables sont grandeur réel

| No. | Revisions | Date | By/Par |
|-----|-----------|------|--------|
|     |           |      |        |
|     |           |      |        |
|     |           |      |        |
|     |           |      |        |
|     |           |      |        |
|     |           |      |        |



FRONT

Isometric View

|   |  |  |  |  |
|---|--|--|--|--|
|   |  | Tél: (450) 979-4373<br>Fax: (450) 979-4626<br>www.exmweb.com |  | Flatness<br>Aplatissement<br>Max 3.0mm |
| Customer<br>Client                                |  | Date   |  | Projection<br>                         |
| Drawn By<br>Dessiné Par BoxCad                    |  | Date 1/23/2007   |  |  |
| Material<br>Matière                               |  | See Part List  |  |  |
| Color<br>Couleur                                  |  | See Part List  |  | Finish<br>Fini See Part List           |
| Description<br>881 SP - Inner Panel               |  |  |  | Detail Rev.                            |
| Part Number<br>Numéro Pièce<br><b>881 SP7230G</b> |  |  |  | Rev. 2<br><b>0</b>                     |