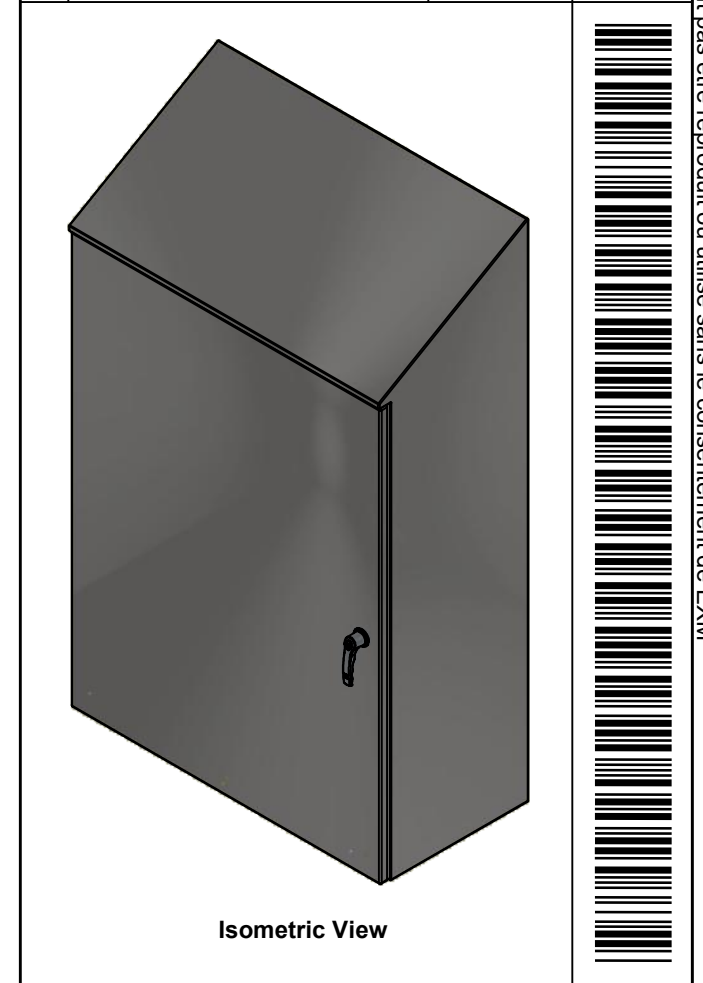



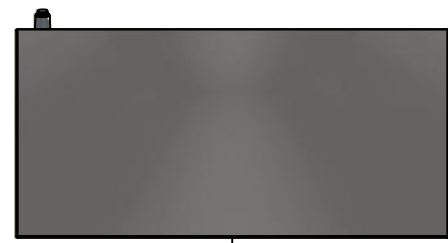
This drawing is confidential and must not be reproduced or used without the consent of EXM

Ce dessin est confidentiel et ne doit pas être reproduit ou utilisé sans le consentement de EXM

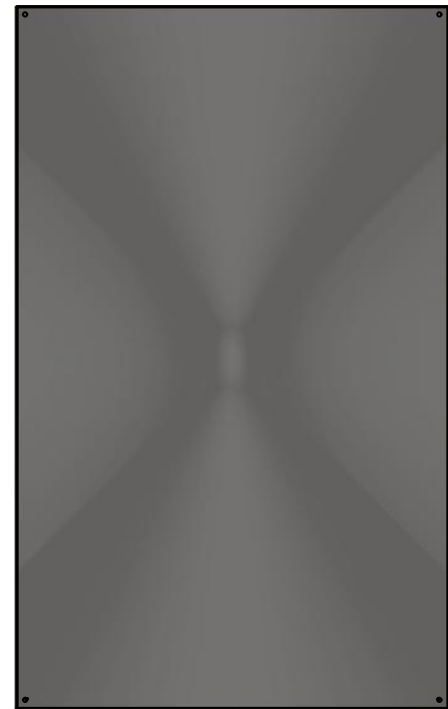
| No. | Revisions | Date | By/Par |
|-----|-----------|------|--------|
|     |           |      |        |
|     |           |      |        |
|     |           |      |        |
|     |           |      |        |
|     |           |      |        |



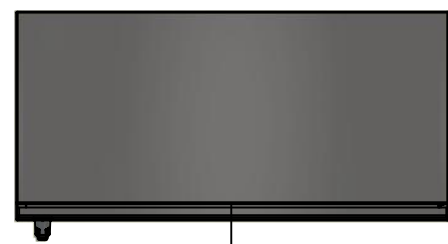
|  |  |                                   |                |
|--|--|-----------------------------------|----------------|
|  Tél: (450) 979-4373<br>Fax: (450) 979-4626<br><a href="http://www.exmweb.com">www.exmweb.com</a> |  | Flatness<br>Aplatissement         |                |
|  |  | Max 3.0mm                         |                |
| Customer<br>Client   |  | Date                              |                |
| Drawn By<br>Dessiné Par  |  | Date                              |                |
| Material<br>Matière  |  | 14 Ga Stainless Steel 304 (1.7mm) |                |
| Color<br>Couleur   |  | Unpainted                         | Finish<br>Fini |
| Description  |  | Detail Rev.                       |                |
| Part Number<br>Numéro Pièce  |  | Rev.                              | 1              |
| SEE BILL OF MATERIAL ON LAST PAGE  |  | 0                                 | 9              |



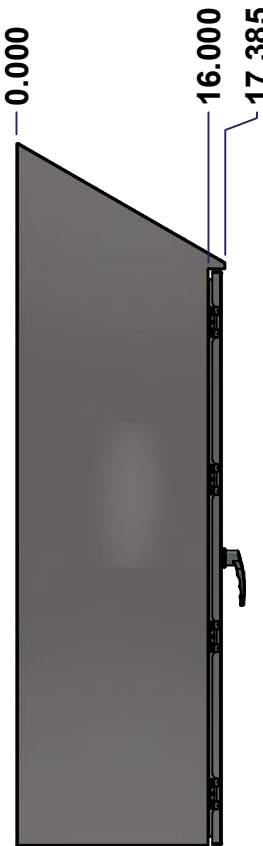
**TOP**



**BACK**



**BOTTOM**



**LEFT**



**FRONT**



**RIGHT**

**GRAIN DIRECTION:  
 TOP/BOTTOM: HORIZONTAL  
 LEFT/RIGHT/BACK/FRONT: VERTICAL**

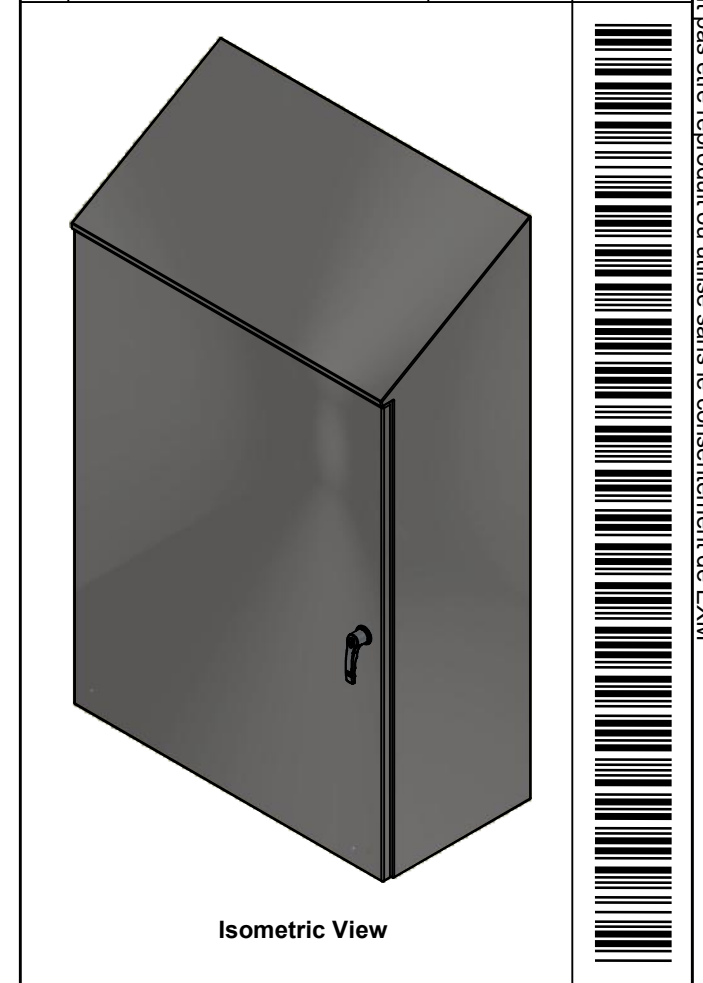
**SEE BILL OF MATERIAL ON LAST PAGE**

This drawing is confidential and must not be reproduced or used without the consent of EXM

Ce dessin est confidentiel et ne doit pas être reproduit ou utilisé sans le consentement de EXM

| NOTE |  |
|------|--|
| ITEM | DESCRIPTION                                |
| 1    | NEMA 4X Enclosure                          |
| 2    | C/W Standard ground studs on box and cover |
| 3    | C/W Standard door stiffener                |
| 4    | C/W Standard inner panel (Included)        |
| 5    | C/W Standard inner panel mounting studs    |

| No. | Revisions | Date | By/Par |
|-----|-----------|------|--------|
|     |           |      |        |
|     |           |      |        |
|     |           |      |        |
|     |           |      |        |
|     |           |      |        |
|     |           |      |        |



**EXM**  
www.exmweb.com

Tél: (450) 979-4373  
Fax: (450) 979-4626

Flatness  
Aplatissement  
Max 3.0mm

Projection

|                         |                |
|-------------------------|----------------|
| Customer Client         | Date           |
| Drawn By<br>Dessiné Par | Date 7/15/2022 |

Material Matière: 14 Ga Stainless Steel 304 (1.7mm)

Color Couleur: Unpainted      Finish Fini: Brushed

Description: 5412ESSCET 48" x 36" x 16" Assembly

Detail Rev.

Part Number Numéro Pièce: **5412ESSCET483616**

Rev. 0

| PACKING               |     |  |
|-----------------------|-----|--|
| ITEM                  | QTY | DESCRIPTION                                    |
| Cardboard sleeve      | 2   | Top and Bottom                                 |
| Cardboard strip       | 2   | Between back of enclosure and inner panel      |
| Plastic bag           | 1   | To protect cover surface and inside gasket     |
| Cardboard corner      | 4   | To reinforced for the plastic strap tightening |
| Plastic strap - Black | 2   | To Squeeze the 2 cardboard sleeve together     |
| Packaging label       | 3   | White label with PN                            |
| Plastic strap- Green  | 2   | To secure the enclosure to the wood pallet     |
| Wood Pallet           | 1   | 2" deeper and 3" larger than enclosure size    |

| Qty        | Part Number       | Rev | Description  |
|------------|-------------------|-----|--|
| 1          | 880 PP            | 6   | Self Adhesive Print Pocket   |
| 1          | STK-K-01800       | 5   | 5412 ES Accessory Kit  |
| 8          | STK-Q-07310       | 2   | Flange Lock Nut M8   |
| 1          | 881 SP4836G       | 0   | 881 SP - Inner Panel   |
| 8          | STK-Q-07610       | 8   | M8 Plastic Spacer 22.2mm   |
| 1          | 5412ESSCET483616C | 0   | 5412ESSCET 48" x 36" Cover   |
| 1          | 5412ESSCET483616B | 0   | 5412ESSCET 48" x 36" x 16" Body  |
| 4          | STK-Q-04051-07    | 8   | M6 x 7mm Stainless Steel Hexagon Socket Head Machine Screw with Nyseal |
| Parts List |                   |     |  |

This drawing is confidential and must not be reproduced or used without the consent of EXM

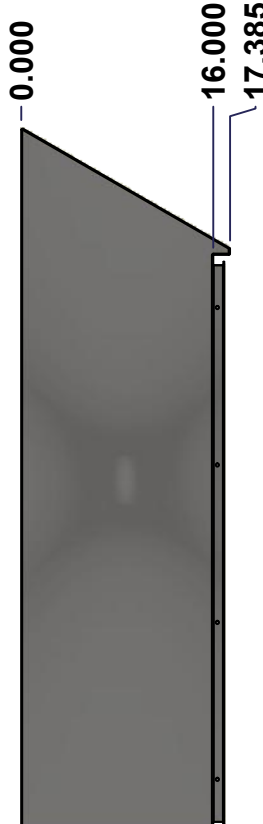
Ce dessin est confidentiel et ne doit pas être reproduit ou utilisé sans le consentement de EXM



TOP



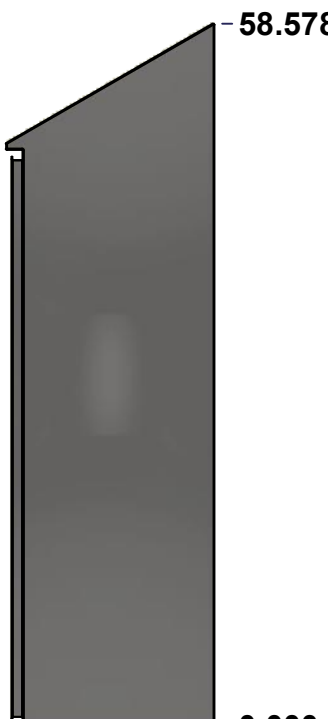
BACK



LEFT



FRONT

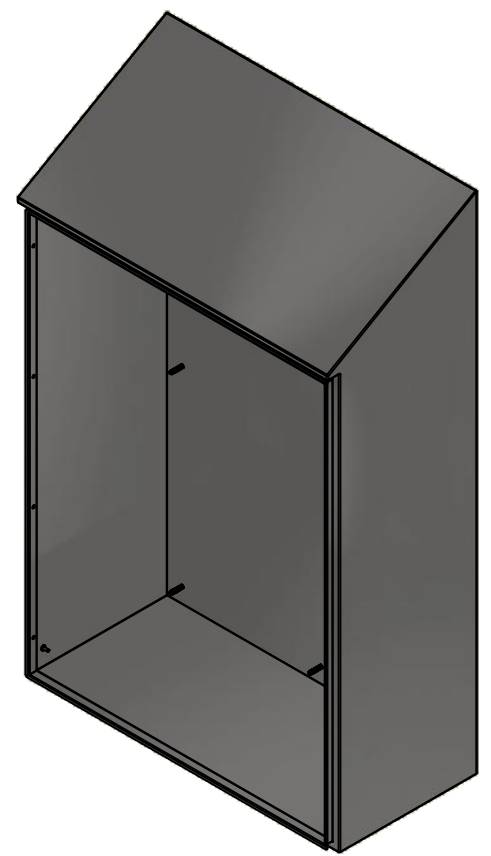


RIGHT




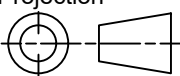
BOTTOM

| No. | Revisions | Date | By/Par |
|-----|-----------|------|--------|
|     |           |      |        |
|     |           |      |        |
|     |           |      |        |
|     |           |      |        |
|     |           |      |        |



Isometric View

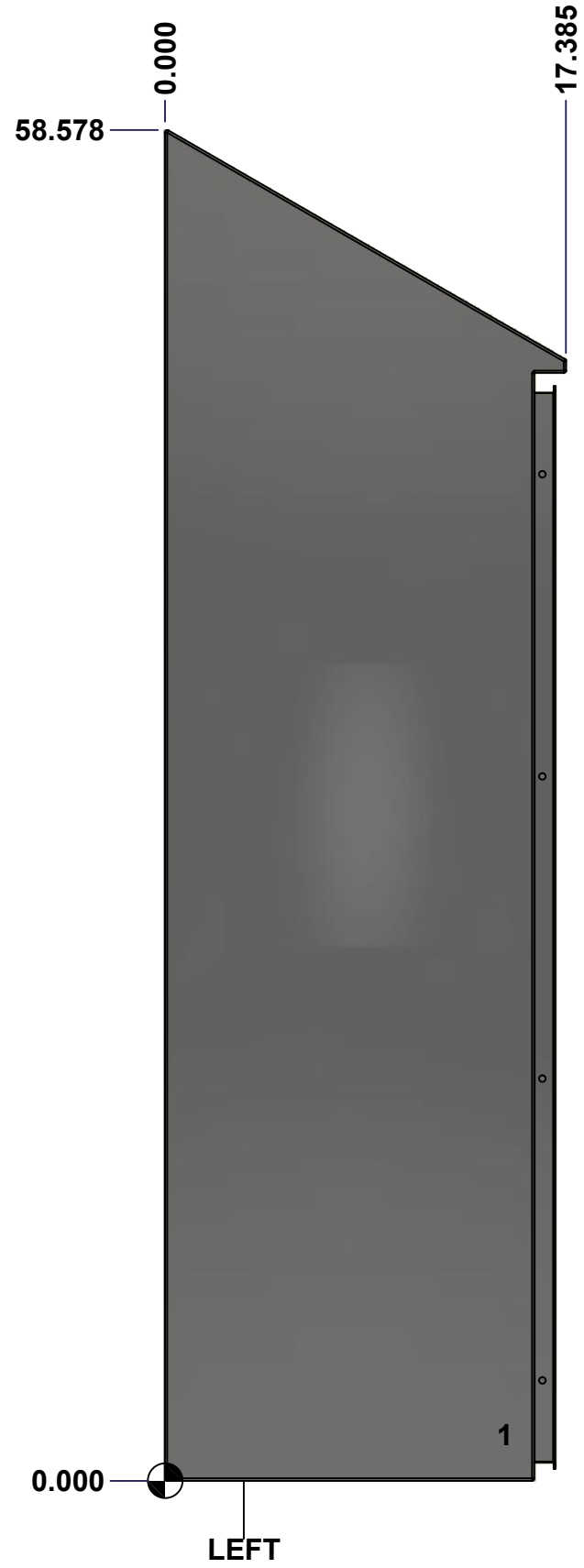


|  |                                   |   |             |
|--|-----------------------------------|---|-------------|
|  Tél: (450) 979-4373<br>Fax: (450) 979-4626<br><a href="http://www.exmweb.com">www.exmweb.com</a> | Flatness<br>Aplatissement         | Max 3.0mm   |             |
|  | Projection                        |  |             |
| Customer<br>Client   | Date                              |   |             |
| Drawn By<br>Dessiné Par  | BoxCad: BoxCad                    | Date 7/15/2022  |             |
| Material<br>Matière  | 14 Ga Stainless Steel 304 (1.7mm) |   |             |
| Color<br>Couleur   | Unpainted                         | Finish<br>Fini  | Brushed     |
| Description  | 5412ESSCET 48" x 36" x 16" Body   |   | Detail Rev. |
| Part Number<br>Numéro Pièce  | 5412ESSCET483616B                 |   | Rev. 3      |
| SEE BILL OF MATERIAL ON LAST PAGE  |                                   |   | 9           |

This drawing is confidential and must not be reproduced or used without the consent of EXM

Ce dessin est confidentiel et ne doit pas être reproduit ou utilisé sans le consentement de EXM

| <b>STANDARD FEATURES ARE NOT LISTED IN THIS HOLE TABLE</b> |        |       |                             |
|--|--------|-------|-----------------------------|
| <b>HOLE TABLE - LEFT VIEW (CUSTOM FEATURE ONLY)</b>        |        |       |                             |
| CUT-OUT  | XDIM   | YDIM  | DESCRIPTION                 |
| 1  | 14.500 | 2.000 | GND STUD M6 x 16mm (Inside) |



|  |                                 |          |     |
|--|---------------------------------|----------|-----|
|  | Description                     | Status   |     |
|  | 5412ESSCET 48" x 36" x 16" Body | (NULL)   |     |
|  | Part Number<br>Numéro Pièce     | Rev.     |     |
|  | <b>5412ESSCET483616B</b>        | <b>0</b> | 4/9 |

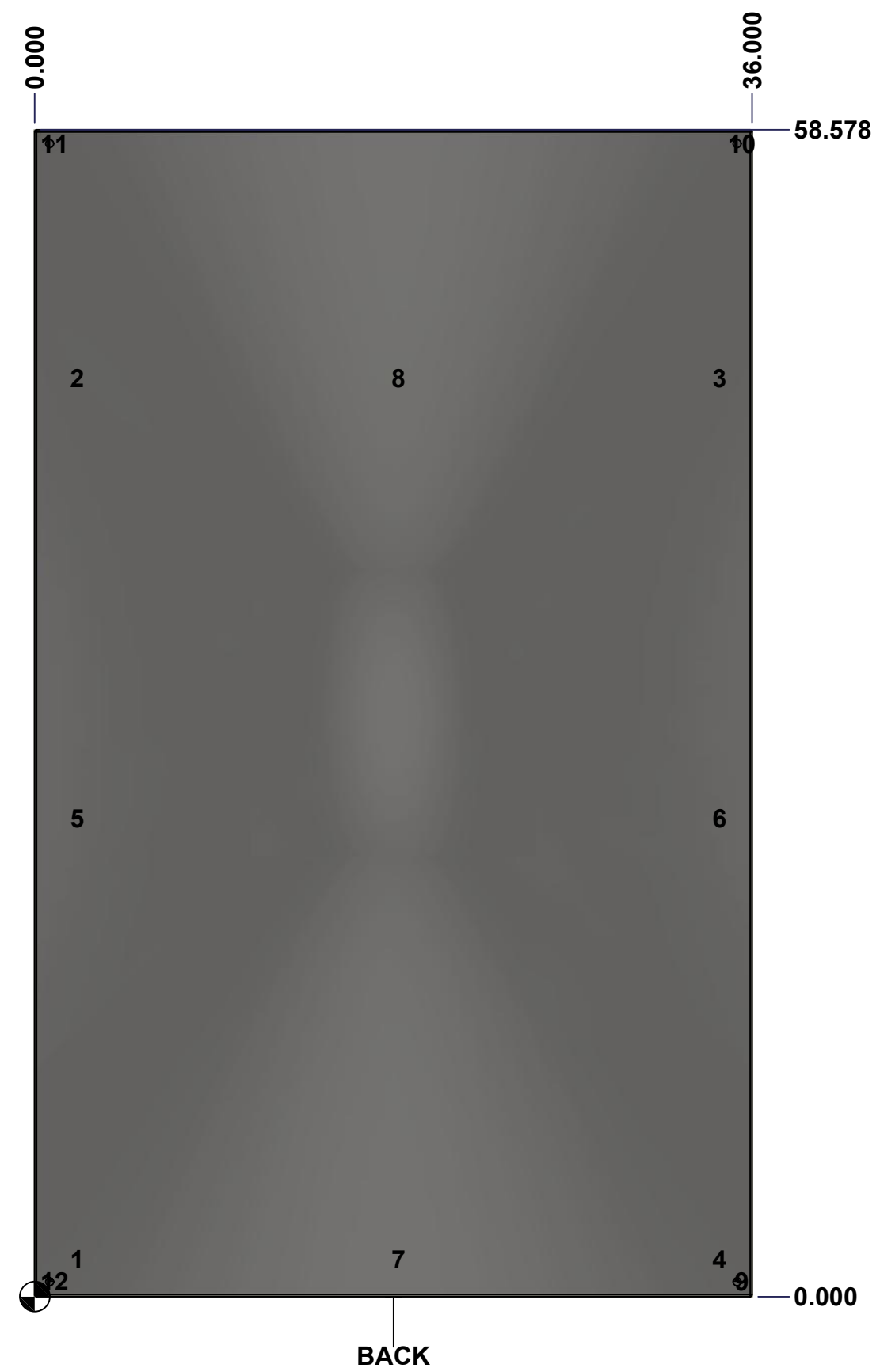
This drawing is confidential and must not be reproduced or used without the consent of EXM

Ce dessin est confidentiel et ne doit pas être reproduit ou utilisé sans le consentement de EXM

**STANDARD FEATURES ARE NOT LISTED IN THIS HOLE TABLE**

**HOLE TABLE - BACK VIEW (CUSTOM FEATURE ONLY)**

| CUT-OUT | XDIM   | YDIM   | DESCRIPTION                |
|---------|--------|--------|----------------------------|
| 1       | 1.875  | 1.875  | IP STUD M8 x 35mm (Inside) |
| 2       | 1.875  | 46.125 | IP STUD M8 x 35mm (Inside) |
| 3       | 34.125 | 46.125 | IP STUD M8 x 35mm (Inside) |
| 4       | 34.125 | 1.875  | IP STUD M8 x 35mm (Inside) |
| 5       | 1.875  | 24.000 | IP STUD M8 x 35mm (Inside) |
| 6       | 34.125 | 24.000 | IP STUD M8 x 35mm (Inside) |
| 7       | 18.000 | 1.875  | IP STUD M8 x 35mm (Inside) |
| 8       | 18.000 | 46.125 | IP STUD M8 x 35mm (Inside) |
| -----   |        |        |                            |
| 9       | 35.250 | 0.750  | RND Ø0.390                 |
| 10      | 35.250 | 57.892 | RND Ø0.390                 |
| 11      | 0.750  | 57.892 | RND Ø0.390                 |
| 12      | 0.750  | 0.750  | RND Ø0.390                 |

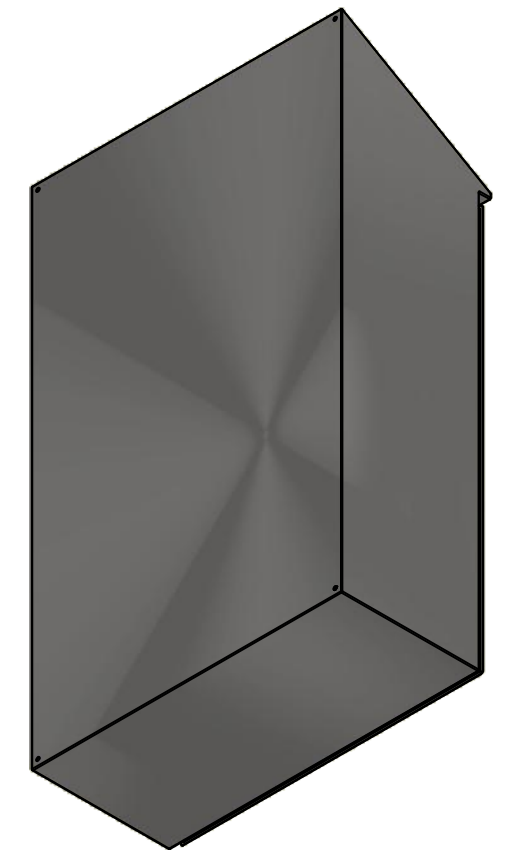


|  |                                 |                  |
|--|---------------------------------|------------------|
|  | Description                     | Status           |
|  | 5412ESSCET 48" x 36" x 16" Body | (NULL)           |
|  | Part Number<br>Numéro Pièce     | Rev.             |
|  | <b>5412ESSCET483616B</b>        | <b>0</b> / 5 / 9 |

This drawing is confidential and must not be reproduced or used without the consent of EXM


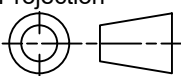
Ce dessin est confidentiel et ne doit pas être reproduit ou utilisé sans le consentement de EXM

| No. | Revisions | Date | By/Par |
|-----|-----------|------|--------|
|     |           |      |        |
|     |           |      |        |
|     |           |      |        |
|     |           |      |        |
|     |           |      |        |



Isometric View

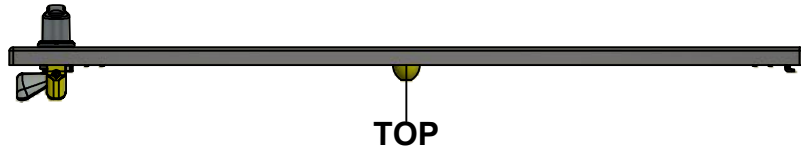


|  |                        |   |
|--|------------------------|---|
|  Tél: (450) 979-4373<br>Fax: (450) 979-4626<br><a href="http://www.exmweb.com">www.exmweb.com</a> |                        | Flatness<br>Aplatissement<br>Max 3.0mm  |
| Customer<br>Client   |                        | Projection<br> |
| Drawn By<br>Dessiné Par BoxCad: BoxCad   |                        | Date 7/15/2022  |
| Material<br>Matière 14 Ga Stainless Steel 304 (1.7mm)  |                        |   |
| Color<br>Couleur Unpainted   | Finish<br>Fini Brushed |   |
| Description<br>5412ESSCET 48" x 36" x 16" Body   |                        | Detail Rev.   |
| Part Number<br>Numéro Pièce<br><b>5412ESSCET483616B</b>  |                        | Rev. 6<br><b>0</b>  |

| Qty        | Part Number         | Rev | Description                           |
|------------|---------------------|-----|---------------------------------------|
| 1          | STK-Q-16085         | 0   | Ground Stud M6 x 16mm Stainless Steel |
| 8          | STK-Q-16020         | 1   | Stud M8 x 35mm Stainless Steel        |
| 1          | 5412ESSCET483616B-P | 0   | 5412ESSCET 48" x 36" x 16" Body Part  |
| Parts List |                     |     |                                       |

This drawing is confidential and must not be reproduced or used without the consent of EXM

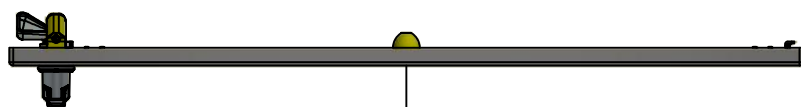
Ce dessin est confidentiel et ne doit pas être reproduit ou utilisé sans le consentement de EXM



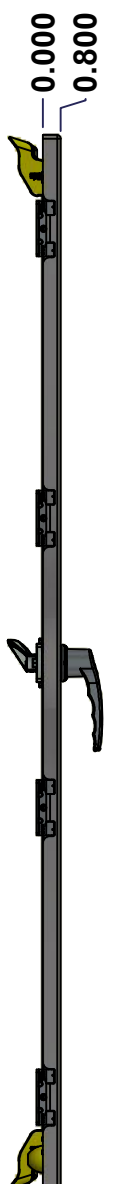
TOP



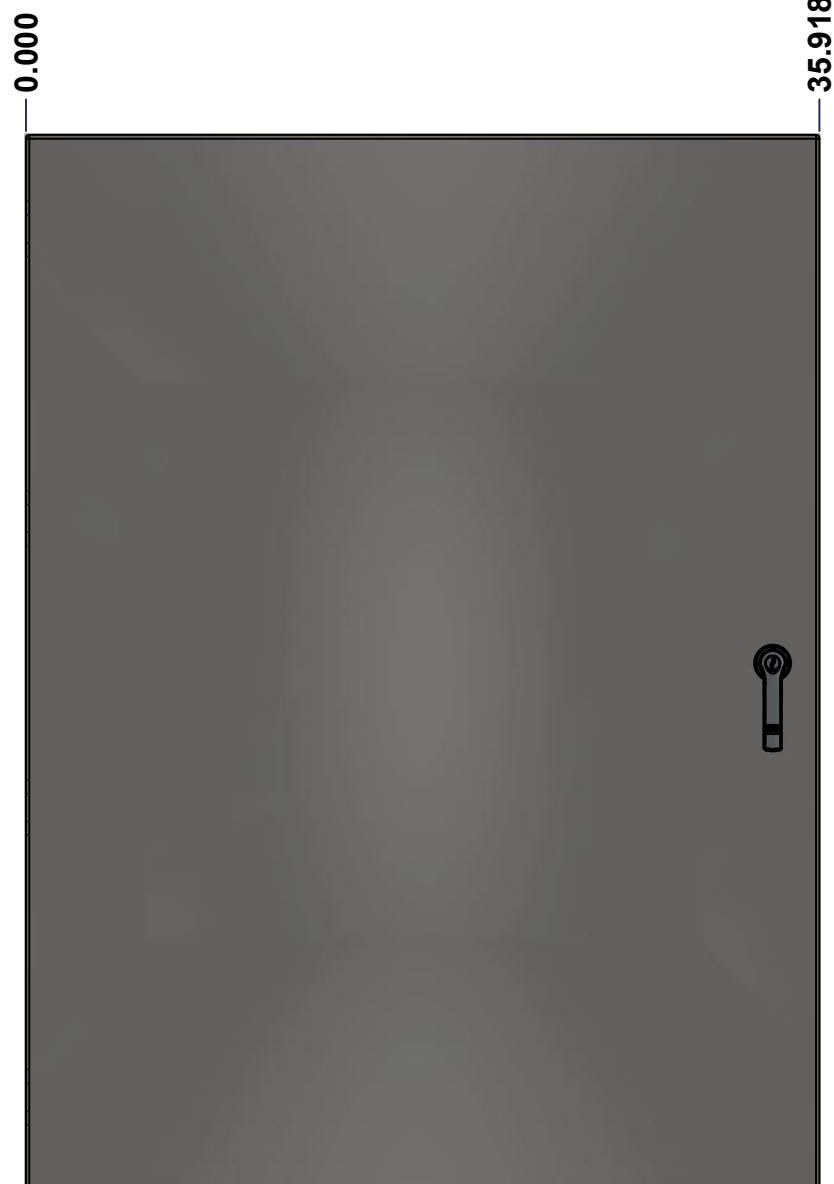
BACK



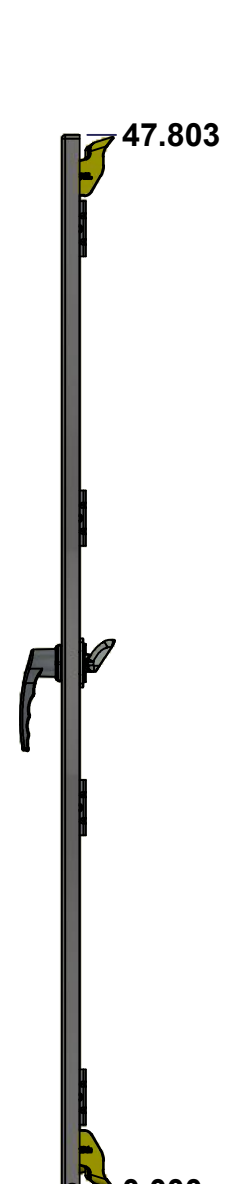
BOTTOM



LEFT




FRONT



RIGHT

| No. | Revisions | Date | By/Par |
|-----|-----------|------|--------|
|     |           |      |        |
|     |           |      |        |
|     |           |      |        |
|     |           |      |        |
|     |           |      |        |



|  |  |                           |             |
|--|--|---------------------------|-------------|
|  Tél: (450) 979-4373<br>Fax: (450) 979-4626<br><a href="http://www.exmweb.com">www.exmweb.com</a> |  | Flatness<br>Aplatissement |             |
|  |  | Max 3.0mm                 |             |
| Customer<br>Client   |  | Date                      |             |
| Drawn By<br>Dessiné Par BoxCad: BoxCad   |  | Date 7/15/2022            |             |
| Material<br>Matière 14 Ga Stainless Steel 304 (1.7mm)  |  |                           |             |
| Color<br>Couleur Unpainted   |  | Finish<br>Fini Brushed    |             |
| Description<br>5412ESSCET 48" x 36" Cover  |  |                           | Detail Rev. |
| Part Number<br>Numéro Pièce <b>5412ESSCET483616C</b>   |  | Rev. <b>0</b>             | 7<br>9      |

SEE BILL OF MATERIAL ON LAST PAGE

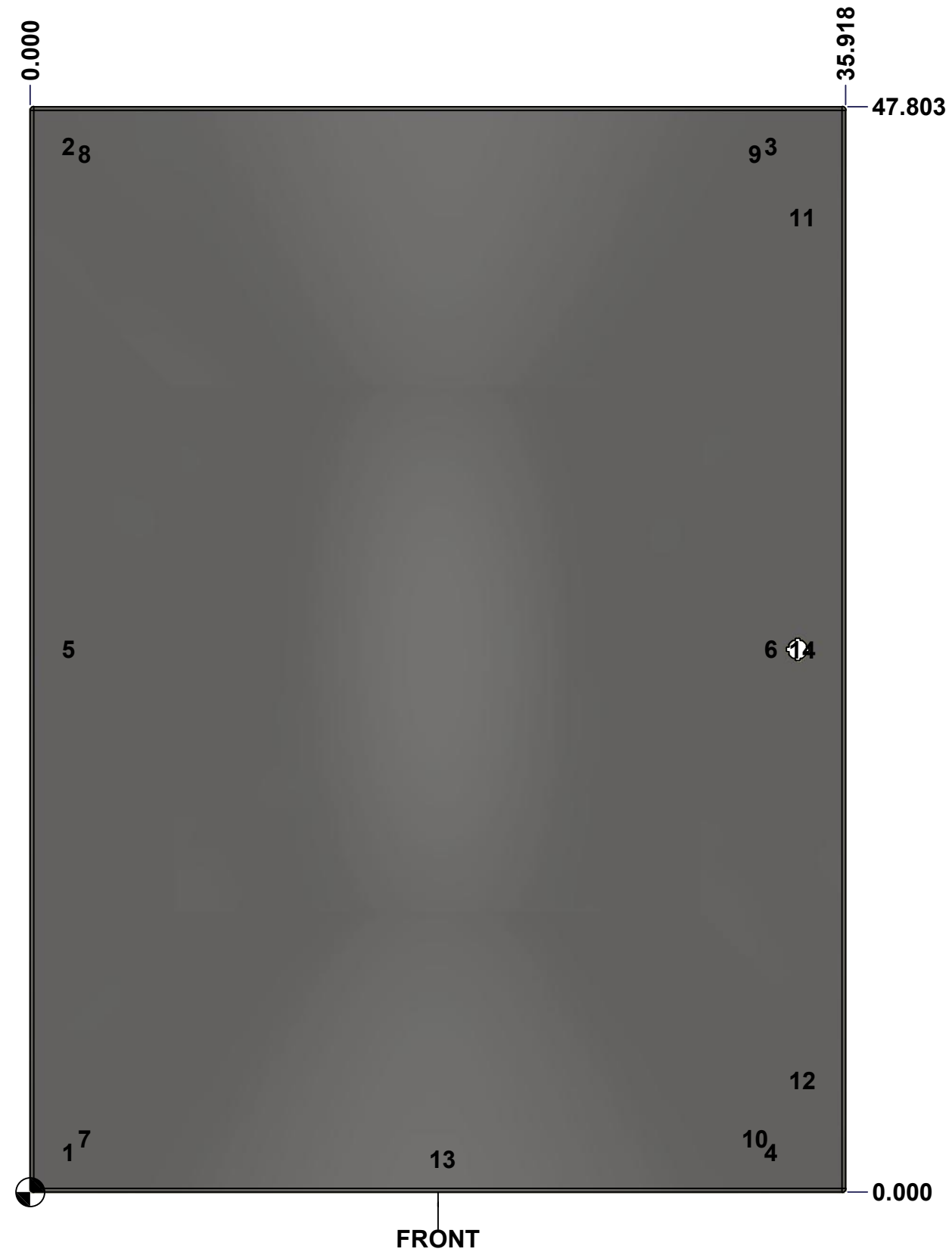
This drawing is confidential and must not be reproduced or used without the consent of EXM

Ce dessin est confidentiel et ne doit pas être reproduit ou utilisé sans le consentement de EXM

**STANDARD FEATURES ARE NOT LISTED IN THIS HOLE TABLE**

**HOLE TABLE - FRONT VIEW (CUSTOM FEATURE ONLY)**

| CUT-OUT | XDIM   | YDIM   | DESCRIPTION                 |
|---------|--------|--------|-----------------------------|
| 1       | 1.486  | 1.756  | STUD M6 x 18mm (Inside)     |
| 2       | 1.486  | 46.047 | STUD M6 x 18mm (Inside)     |
| 3       | 32.423 | 46.047 | STUD M6 x 18mm (Inside)     |
| 4       | 32.423 | 1.756  | STUD M6 x 18mm (Inside)     |
| 5       | 1.486  | 23.902 | STUD M6 x 18mm (Inside)     |
| 6       | 32.423 | 23.902 | STUD M6 x 18mm (Inside)     |
| 7       | 2.191  | 2.350  | STUD M6 x 18mm (Inside)     |
| 8       | 2.191  | 45.713 | STUD M6 x 18mm (Inside)     |
| 9       | 31.718 | 45.713 | STUD M6 x 18mm (Inside)     |
| 10      | 31.718 | 2.350  | STUD M6 x 18mm (Inside)     |
| 11      | 33.803 | 42.896 | CLOSING BAR STUD (Inside)   |
| 12      | 33.803 | 4.907  | CLOSING BAR STUD (Inside)   |
| 13      | 17.959 | 1.435  | STUD M6 x 18mm (Inside)     |
| -----   |        |        |                             |
| 14      | 33.803 | 23.902 | HANDLE 885 ESL2A-LSS @ 0.0° |



|  |                            |          |   |
|--|----------------------------|----------|---|
|  | Description                | Status   |   |
|  | 5412ESSCET 48" x 36" Cover | (NULL)   |   |
|  | Part Number                | Rev.     |   |
|  | Numéro Pièce               | 8        | 9 |
|  | <b>5412ESSCET483616C</b>   | <b>0</b> |   |



This drawing is confidential and must not be reproduced or used without the consent of EXM

Ce dessin est confidentiel et ne doit pas être reproduit ou utilisé sans le consentement de EXM

| No. | Revisions | Date | By/Par |
|-----|-----------|------|--------|
|     |           |      |        |
|     |           |      |        |
|     |           |      |        |
|     |           |      |        |
|     |           |      |        |



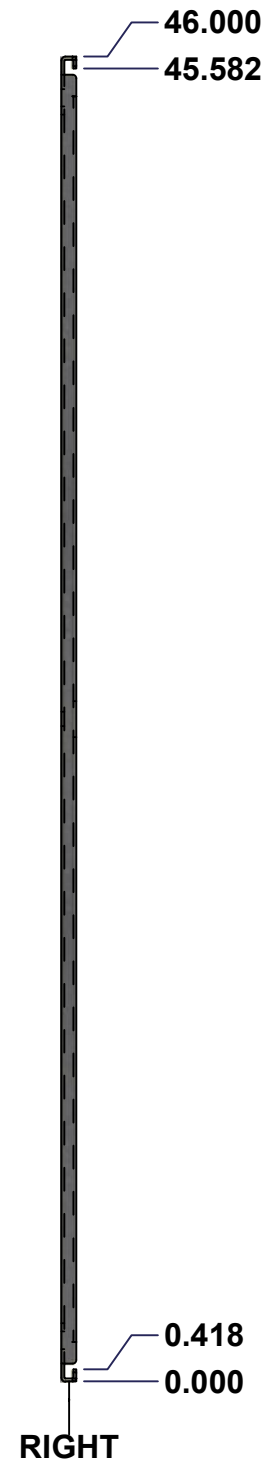
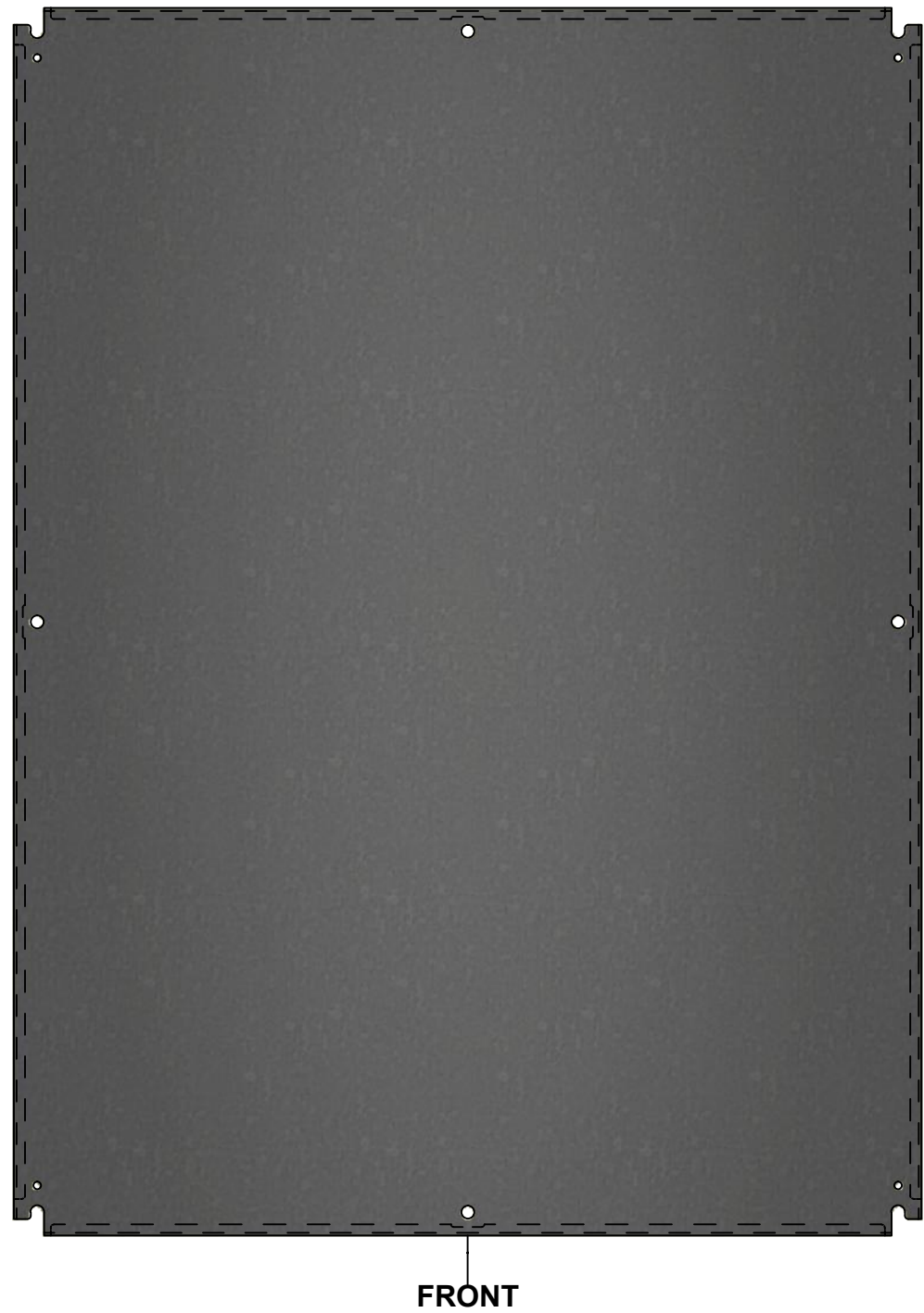
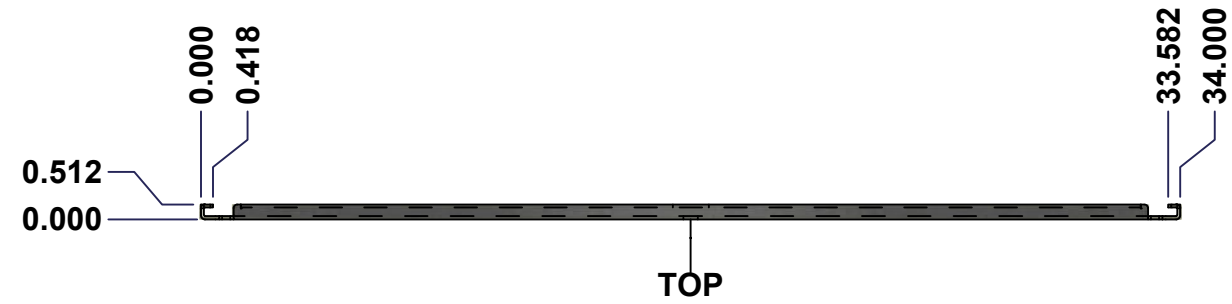
|    |                     |           |   |
|----|---------------------|-----------|---|
| 2  | STK-Q-90042         | 4         | 5412 ES - Cabinet Closing Bar End (Small)     |
| 2  | STK-Q-45655-48      | 0         | 5412 ES - Closing Bar                         |
| 1  | STK-Q-50536         | 13        | 5412 ES - Handle Cam Clockwise (Grip 32mm)    |
| 1  | 885 ESL2A-LSS       | 3         | 5412 ESS Key Lock L-Handle (3 Pts)            |
| 1  | STK-Q-46515         | 3         | 5412 ES Door Support with Brass Insert        |
| 2  | STK-Q-46025-36-3    | 0.1.<br>1 | 5412 ES Horizontal Door Stiffener 36" (3 Pts) |
| 2  | STK-Q-46020-48      | 5         | 5412 ES Vertical Door Stiffener 48"           |
| 2  | STK-Q-16407         | 2         | Guide Stud - Small (No Paint Cap Required)    |
| 11 | STK-Q-16070         | 1         | Stud M6 x 18mm Stainless steel                |
| 1  | 5412ESSCET483616G   | 0         | 5412ESSCET 48" x 36" Cover Gasket Part        |
| 1  | 5412ESSCET483616C-P | 0         | 5412ESSCET 48" x 36" Cover Part               |
| 4  | STK-A-33016         | 0         | 5412 ESS Bended Hinge (Body Part)             |
| 10 | STK-Q-07220         | 1         | M6 Nylon Insert Lock Nut                      |

| Qty        | Part Name | Rev | Description |
|------------|-----------|-----|-------------|
| Parts List |           |     |             |

|   |                                   |                        |
|---|-----------------------------------|------------------------|
| <p>Tél: (450) 979-4373<br/>Fax: (450) 979-4626<br/><a href="http://www.exmweb.com">www.exmweb.com</a></p> | Flatness<br>Aplatissement         | Max 3.0mm              |
|   | Projection                        |                        |
| Customer<br>Client  | Date                              |                        |
| Drawn By<br>Dessiné Par   | BoxCad: BoxCad                    | Date 7/15/2022         |
| Material<br>Matière   | 14 Ga Stainless Steel 304 (1.7mm) |                        |
| Color<br>Couleur  | Unpainted                         | Finish<br>Fini Brushed |
| Description   | Detail Rev.                       |                        |
| 5412ESSCET 48" x 36" Cover  |                                   |                        |
| Part Number<br>Numéro Pièce   | Rev.                              | 9                      |
| <b>5412ESSCET483616C</b>  | <b>0</b>                          | <b>9</b>               |

This drawing is confidential and must not be reproduced or used without the consent of EXM

Ce dessin est confidentiel et ne doit pas être reproduit ou utilisé sans le consentement de EXM



| No. | Revisions | Date | By/Par |
|-----|-----------|------|--------|
|     |           |      |        |
|     |           |      |        |
|     |           |      |        |
|     |           |      |        |
|     |           |      |        |

Isometric View

|   |                           |
|---|---------------------------|
| <p>Tél: (450) 979-4373<br/>Fax: (450) 979-4626<br/>www.exmweb.com</p> | Flatness<br>Aplatissement |
|   | Max 3.0mm                 |
| Projection  |                           |
| Customer<br>Client  | Date                      |
| Drawn By<br>Dessiné Par BoxCad  | Date 1/23/2007            |
| Material<br>Matière   | See Part List             |
| Color<br>Couleur  | See Part List             |
| Finish<br>Fini  | See Part List             |
| Description   | Detail Rev.               |
| 881 SP - Inner Panel  |                           |
| Part Number<br>Numéro Pièce   | Rev. 1                    |
| <b>881 SP4836G</b>  | <b>0</b> 2                |

| Qty | Part Number   | Rev | Description               | Material         | Color     | Finish     |
|-----|---------------|-----|---------------------------|------------------|-----------|------------|
| 1   | 881 SP4836G-P | 0   | 881 SP - Inner Panel Part | 12 Ga Galvanized | Unpainted | Galvanized |

Parts List

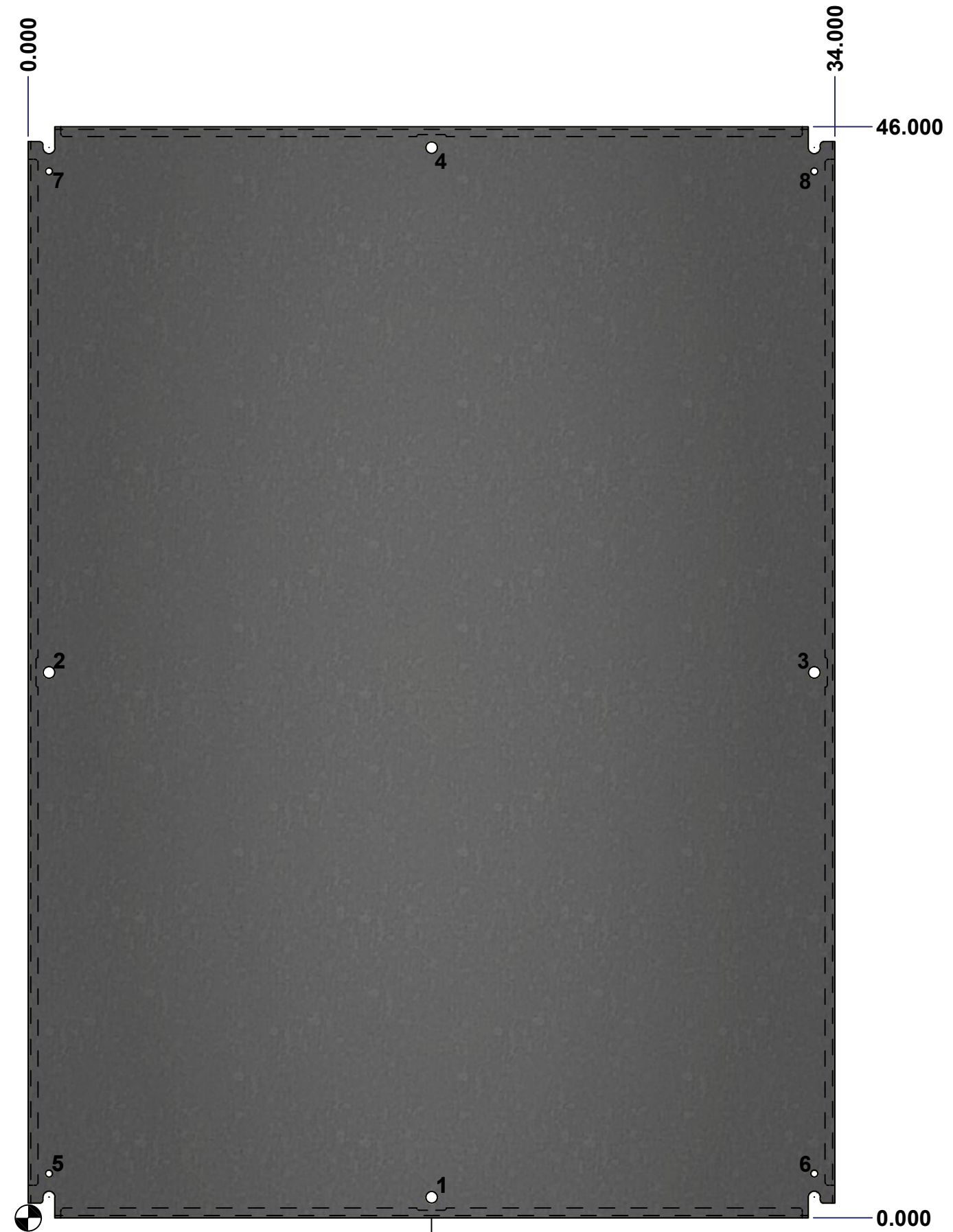
This drawing is confidential and must not be reproduced or used without the consent of EXM


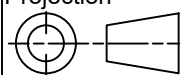
Ce dessin est confidentiel et ne doit pas être reproduit ou utilisé sans le consentement de EXM

| Table 1 |        |        | FRONT VIEW                 |
|---------|--------|--------|----------------------------|
| CUT-OUT | XDIM   | YDIM   | DESCRIPTION                |
| 1       | 17.000 | 0.875  | MTG STUD HOLE (RND Ø0.500) |
| 2       | 0.875  | 23.000 | MTG STUD HOLE (RND Ø0.500) |
| 3       | 33.125 | 23.000 | MTG STUD HOLE (RND Ø0.500) |
| 4       | 17.000 | 45.125 | MTG STUD HOLE (RND Ø0.500) |
| 5       | 0.875  | 1.875  | GROUND HOLE (RND Ø0.290)   |
| 6       | 33.125 | 1.875  | GROUND HOLE (RND Ø0.290)   |
| 7       | 0.875  | 44.125 | GROUND HOLE (RND Ø0.290)   |
| 8       | 33.125 | 44.125 | GROUND HOLE (RND Ø0.290)   |

All knockouts are actual size / Les disques défonçables sont grandeur réel

| No. | Revisions | Date | By/Par |
|-----|-----------|------|--------|
|     |           |      |        |
|     |           |      |        |
|     |           |      |        |
|     |           |      |        |
|     |           |      |        |



|  |   |
|--|---|
|  Tél: (450) 979-4373<br>Fax: (450) 979-4626<br>www.exmweb.com | Flatness<br>Aplatissement<br>Max 3.0mm  |
|  | Projection<br> |
| Customer Client  | Date  |
| Drawn By<br>Dessiné Par BoxCad   | Date 1/23/2007  |
| Material<br>Matière  | See Part List   |
| Color<br>Couleur   | See Part List   |
| Finish<br>Fini   | See Part List   |
| Description<br>881 SP - Inner Panel  | Detail Rev.   |
| Part Number<br>Numéro Pièce<br><b>881 SP4836G</b>  | Rev. 2<br><b>0</b>  |

FRONT