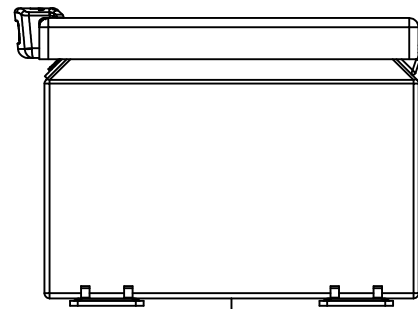
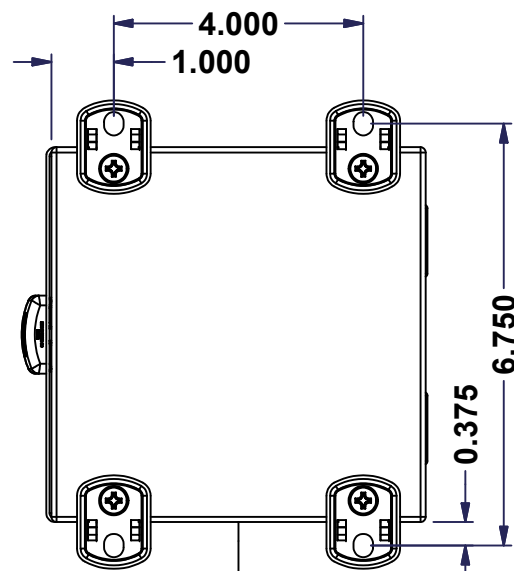


This drawing is confidential and must not be reproduced or used without the consent of EXM

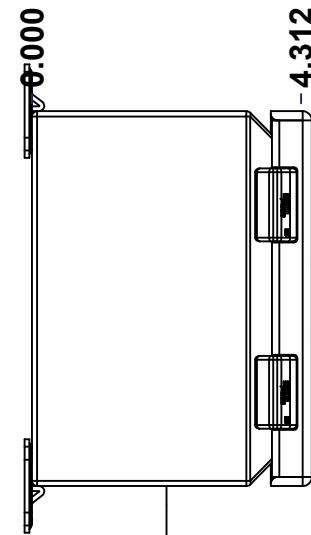
Ce dessin est confidentiel et ne doit pas être reproduit ou utilisé sans le consentement de EXM



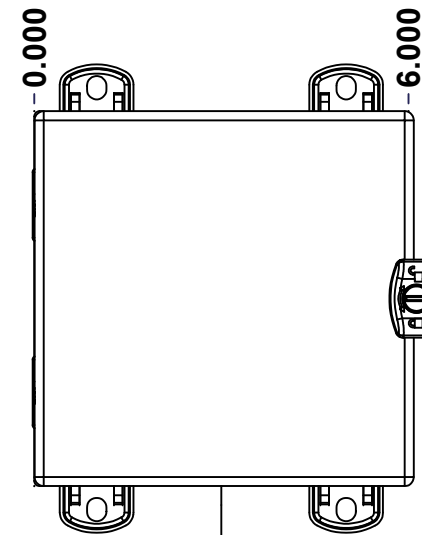
TOP



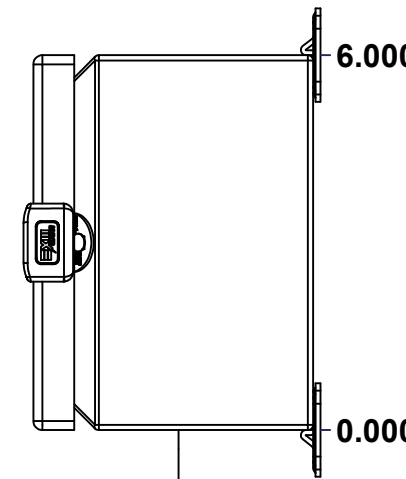
BACK



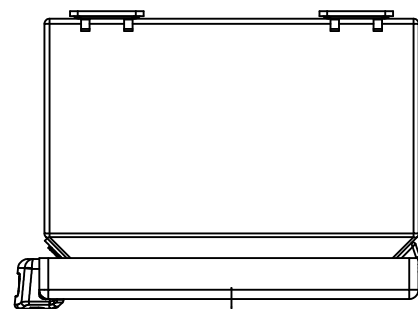
LEFT



FRONT

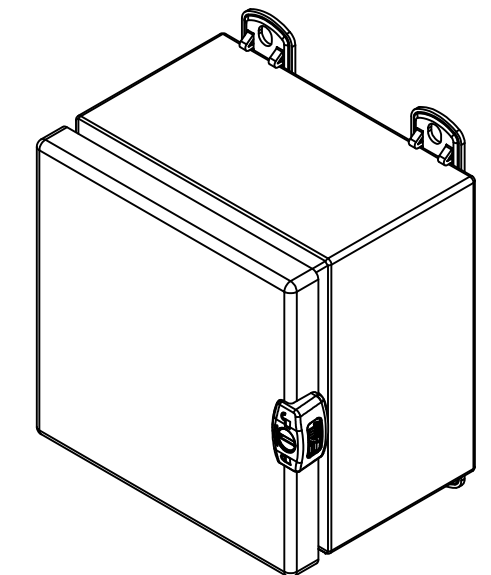


RIGHT



BOTTOM

| No. | Revisions | Date | By/Par |
|-----|-----------|------|--------|
|     |           |      |        |
|     |           |      |        |
|     |           |      |        |
|     |           |      |        |


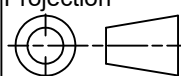


Isometric View



**GRAIN DIRECTION:  
TOP/BOTTOM: HORIZONTAL  
LEFT/RIGHT/BACK/FRONT: VERTICAL**

SEE BILL OF MATERIAL ON LAST PAGE

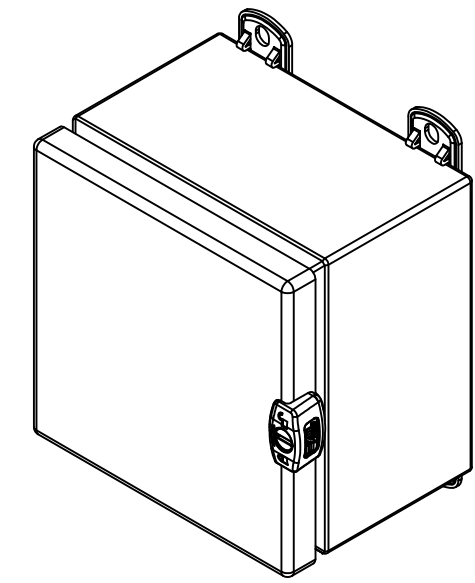
|  |                                   |   |
|--|-----------------------------------|---|
|  Tél: (450) 979-4373<br>Fax: (450) 979-4626<br><a href="http://www.exmweb.com">www.exmweb.com</a> |                                   | Flatness<br>Aplatissement<br>Max 3.0mm<br>Projection<br> |
| Customer<br>Client   | Date                              | Date  |
| Drawn By<br>Dessiné Par  | BoxCad: BoxCad                    | Date 1/5/2014   |
| Material<br>Matière  | 16 Ga Stainless Steel 304 (1.4mm) |   |
| Color<br>Couleur   | Unpainted                         | Finish<br>Fini Brushed  |
| Description  | 5412ESSCH 6" x 6" x 4" Assembly   |   |
| Part Number<br>Numéro Pièce  | Rev. 0                            | 1<br>2  |

This drawing is confidential and must not be reproduced or used without the consent of EXM

Ce dessin est confidentiel et ne doit pas être reproduit ou utilisé sans le consentement de EXM

| NOTE |  |
|------|--|
| ITEM | DESCRIPTION                                    |
| 1    | NEMA 4X Enclosure                              |
| 2    | C/W Standard ground standoffs on box and cover |
| 3    | W/O Standard door stiffener                    |
| 4    | C/W Standard inner panel (Included)            |
| 5    | C/W Standard inner panel mounting standoffs    |
| 6    | C/W 885 ESCHMF2 Mounting Feet (Installed)      |

| No. | Revisions | Date | By/Par |
|-----|-----------|------|--------|
|     |           |      |        |
|     |           |      |        |
|     |           |      |        |
|     |           |      |        |
|     |           |      |        |
|     |           |      |        |



Isometric View



Tél: (450) 979-4373  
 Fax: (450) 979-4626  
[www.exmweb.com](http://www.exmweb.com)

Flatness  
Aplatissement  
Max 3.0mm  
Projection

Customer Client  
 Drawn By Dessiné Par BoxCad: BoxCad  
 Date 1/5/2014  
 Material Matière 16 Ga Stainless Steel 304 (1.4mm)

Color Couleur Unpainted  
 Finish Fini Brushed

Description 5412ESSCH 6" x 6" x 4" Assembly  
 Detail Rev.

Part Number Numéro Pièce **5412ESSCH060604**  
 Rev. 0

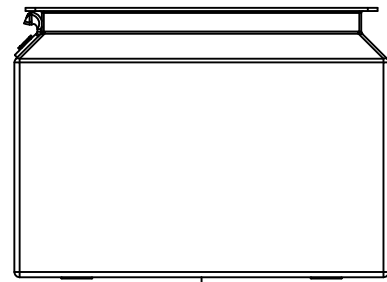
| PACKING         |     |  |
|-----------------|-----|--|
| ITEM            | QTY | DESCRIPTION                                |
| STK-E-04303     | 1   | CARTON 5412 ESCH060604                     |
| Plastic bag     | 1   | To protect cover surface and inside gasket |
| Packaging label | 1   | White label with product number            |
| STK-S-01100     | 1   | ESCH EXM SQUARE STICKER                    |

| Qty | Part Number      | Rev | Description                            |
|-----|------------------|-----|--|
| 1   | 5412ESSCH060604C | 0   | 5412ESSCH 6" x 6" Cover                |
| 1   | 885 ESSCHMFQ     | 0   | 5412 ESSCH Mounting Feet Accessory Kit |
| 1   | 880 SP0606G      | 0   | 880 SP0606G - Inner Panel              |
| 1   | STK-K-02910      | 3   | 5412 ESCH Accessory Kit                |
| 1   | 5412ESSCH060604B | 0   | 5412ESSCH 6" x 6" x 4" Body            |
| 2   | STK-Q-08100      | 1   | M5 Nylon Insert Lock Nut               |

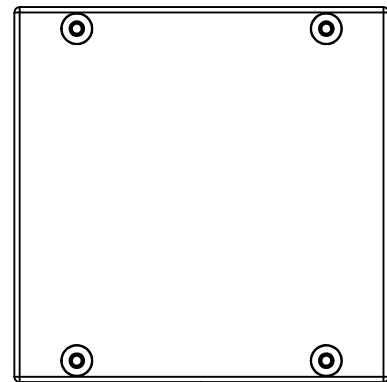
Parts List

This drawing is confidential and must not be reproduced or used without the consent of EXM

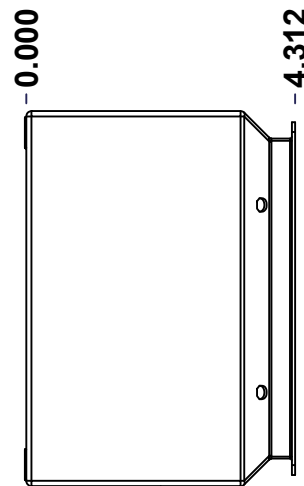
Ce dessin est confidentiel et ne doit pas être reproduit ou utilisé sans le consentement de EXM



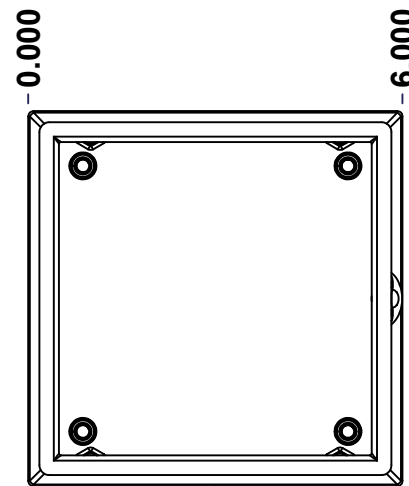
TOP



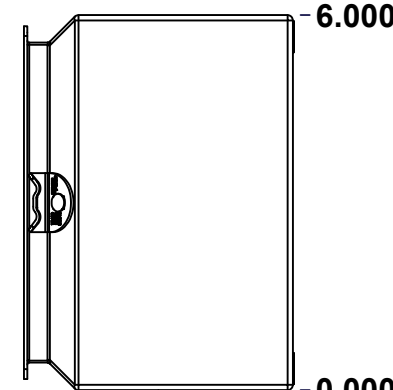
BACK



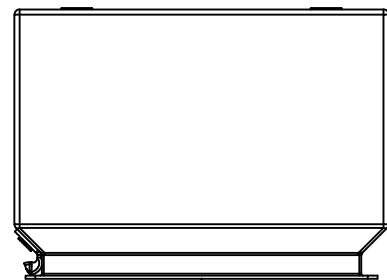
LEFT



FRONT

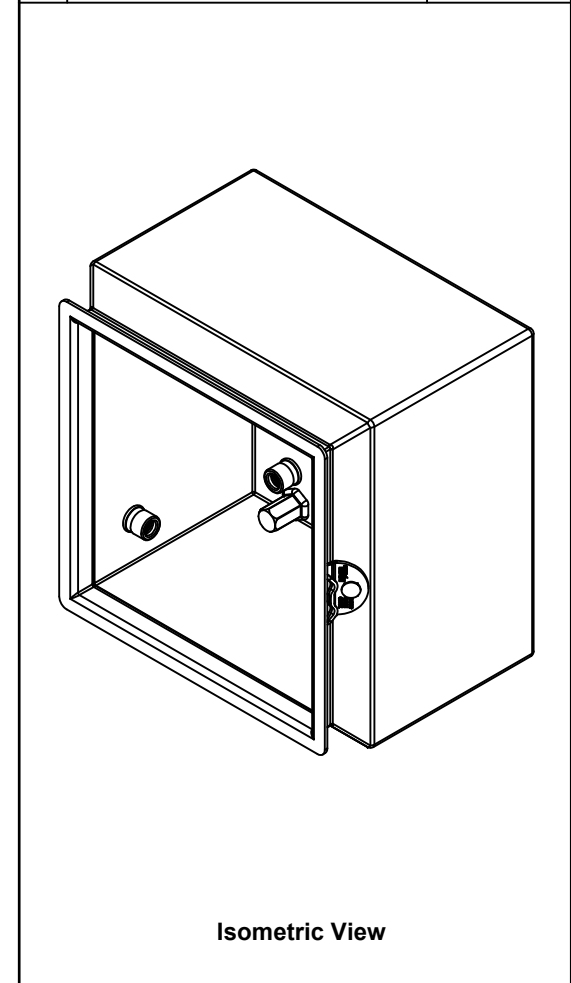


RIGHT




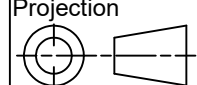
BOTTOM

| No. | Revisions | Date | By/Par |
|-----|-----------|------|--------|
|     |           |      |        |
|     |           |      |        |
|     |           |      |        |
|     |           |      |        |



Isometric View



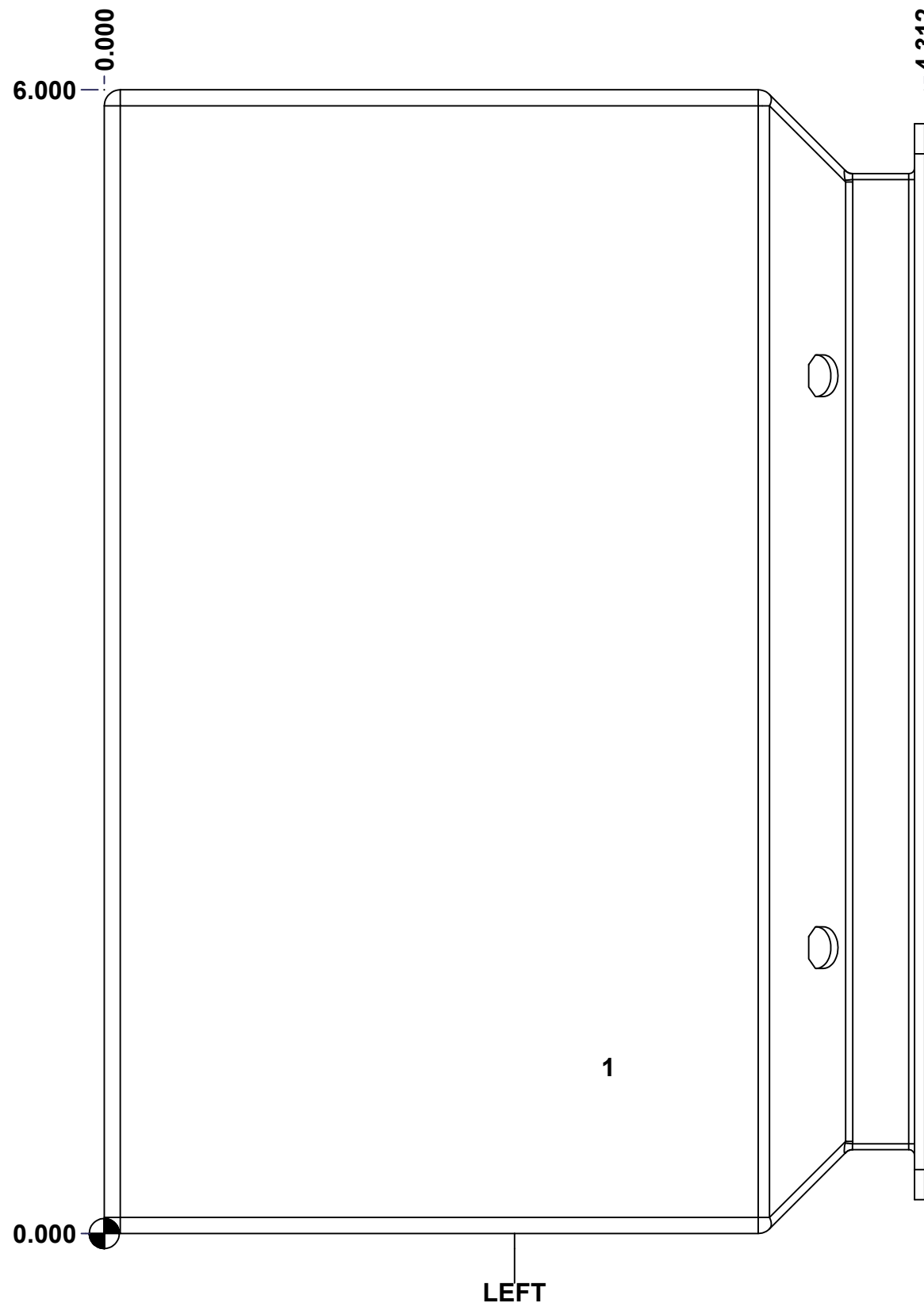
|  |                                   |   |
|--|-----------------------------------|---|
|  Tél: (450) 979-4373<br>Fax: (450) 979-4626<br><a href="http://www.exmweb.com">www.exmweb.com</a> |                                   | Flatness<br>Aplatissement<br>Max 3.0mm<br>Projection<br> |
| Customer<br>Client   | Date                              |   |
| Drawn By<br>Dessiné Par  | BoxCad: BoxCad                    | Date 1/5/2014   |
| Material<br>Matière  | 16 Ga Stainless Steel 304 (1.4mm) |   |
| Color<br>Couleur   | Unpainted                         | Finish<br>Fini Brushed  |
| Description  |                                   | Detail Rev.   |
| 5412ESSCH 6" x 6" x 4" Body  |                                   |   |
| Part Number<br>Numéro Pièce  | Rev. 0                            | 1 / 7   |
| <b>5412ESSCH060604B</b>  |                                   |   |

SEE BILL OF MATERIAL ON LAST PAGE

This drawing is confidential and must not be reproduced or used without the consent of EXM

Ce dessin est confidentiel et ne doit pas être reproduit ou utilisé sans le consentement de EXM

| STANDARD FEATURES ARE NOT LISTED IN THIS HOLE TABLE |       |       |                             |
|---|-------|-------|-----------------------------|
| HOLE TABLE - LEFT VIEW (CUSTOM FEATURE ONLY)        |       |       |                             |
| CUT-OUT   | XDIM  | YDIM  | DESCRIPTION                 |
| 1   | 2.625 | 0.875 | STANDOFF M6 x 10mm (Inside) |



|  |                             |          |
|--|-----------------------------|----------|
|  | Description                 | Status   |
|  | 5412ESSCH 6" x 6" x 4" Body | (NULL)   |
|  | Part Number<br>Numéro Pièce | Rev.     |
|  | <b>5412ESSCH060604B</b>     | <b>0</b> |
|  |                             | 5<br>7   |

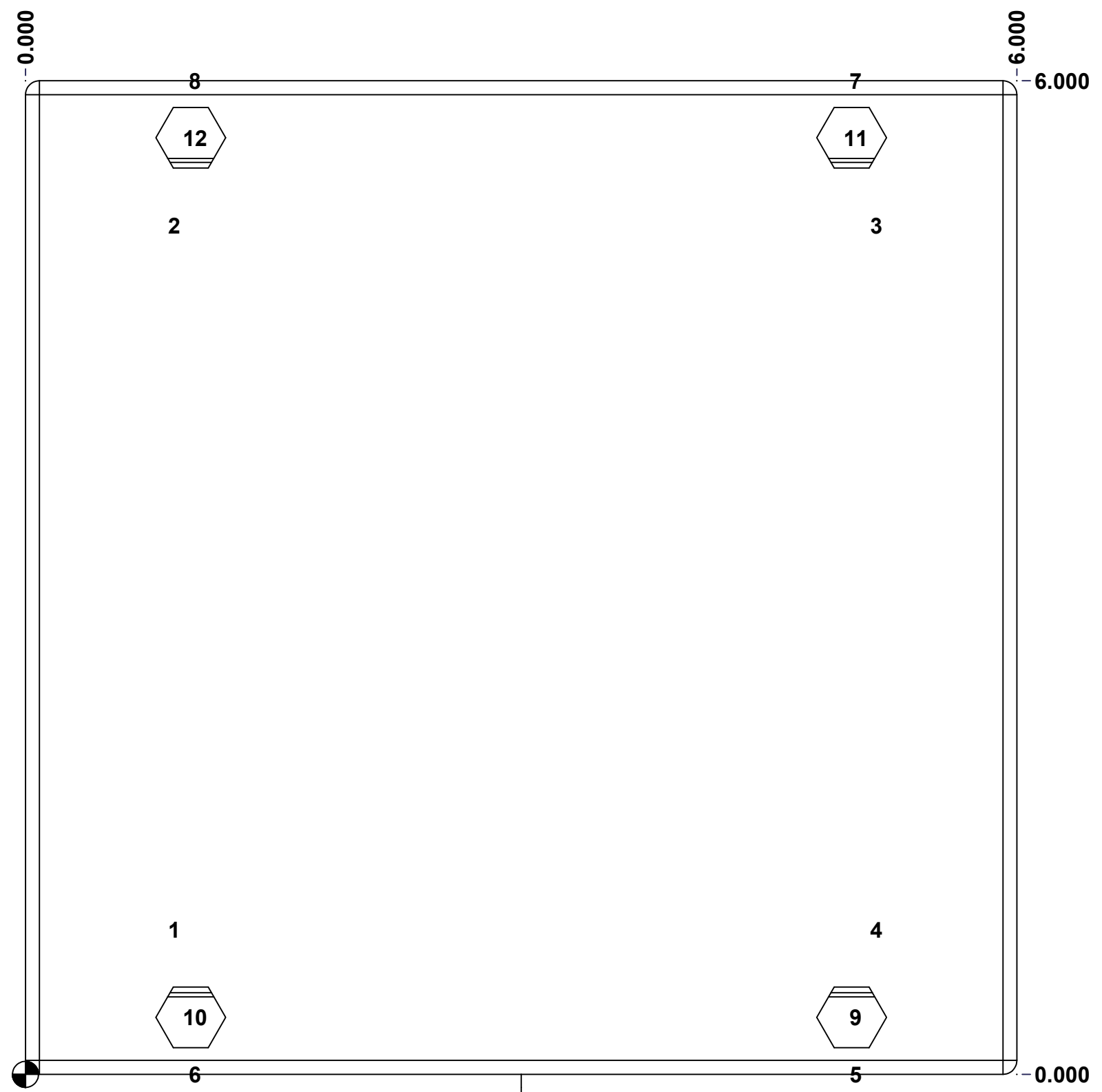
This drawing is confidential and must not be reproduced or used without the consent of EXM

Ce dessin est confidentiel et ne doit pas être reproduit ou utilisé sans le consentement de EXM

**STANDARD FEATURES ARE NOT LISTED IN THIS HOLE TABLE**

**HOLE TABLE - BACK VIEW (CUSTOM FEATURE ONLY)**

| CUT-OUT | XDIM  | YDIM  | DESCRIPTION                    |
|---------|-------|-------|--------------------------------|
| 1       | 0.875 | 0.875 | IP STANDOFF M6 x 10mm (Inside) |
| 2       | 0.875 | 5.125 | IP STANDOFF M6 x 10mm (Inside) |
| 3       | 5.125 | 5.125 | IP STANDOFF M6 x 10mm (Inside) |
| 4       | 5.125 | 0.875 | IP STANDOFF M6 x 10mm (Inside) |
| -----   |       |       |                                |
| 5       | 5.000 | 0.000 | FOOT 885 ESCHMF2               |
| 6       | 1.000 | 0.000 | FOOT 885 ESCHMF2               |
| 7       | 5.000 | 6.000 | FOOT 885 ESCHMF2               |
| 8       | 1.000 | 6.000 | FOOT 885 ESCHMF2               |
| 9       | 5.000 | 0.344 | RIVET NUT M6_FH_CE (Inside)    |
| 10      | 1.000 | 0.344 | RIVET NUT M6_FH_CE (Inside)    |
| 11      | 5.000 | 5.656 | RIVET NUT M6_FH_CE (Inside)    |
| 12      | 1.000 | 5.656 | RIVET NUT M6_FH_CE (Inside)    |



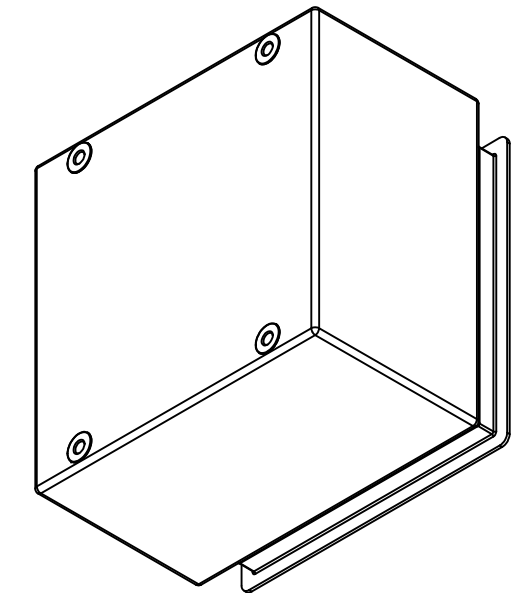
BACK

|  |                             |                   |
|--|-----------------------------|-------------------|
|  | Description                 | Status            |
|  | 5412ESSCH 6" x 6" x 4" Body | (NULL)            |
|  | Part Number<br>Numéro Pièce | Rev.              |
|  | <b>5412ESSCH060604B</b>     | <b>0</b> / 6<br>7 |

This drawing is confidential and must not be reproduced or used without the consent of EXM


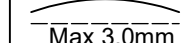
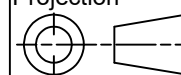
Ce dessin est confidentiel et ne doit pas être reproduit ou utilisé sans le consentement de EXM

| No. | Revisions | Date | By/Par |
|-----|-----------|------|--------|
|     |           |      |        |
|     |           |      |        |
|     |           |      |        |
|     |           |      |        |
|     |           |      |        |



Isometric View

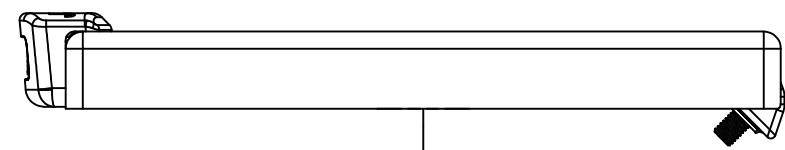


|  |                                   |   |
|--|-----------------------------------|---|
|  Tél: (450) 979-4373<br>Fax: (450) 979-4626<br><a href="http://www.exmweb.com">www.exmweb.com</a> |                                   | Flatness<br>Aplatissement<br> Max 3.0mm<br>Projection<br> |
| Customer Client  | Date                              |   |
| Drawn By<br>Dessiné Par  | BoxCad: BoxCad                    | Date 1/5/2014   |
| Material<br>Matière  | 16 Ga Stainless Steel 304 (1.4mm) |   |
| Color<br>Couleur   | Unpainted                         | Finish<br>Fini Brushed  |
| Description  | Detail Rev.                       |   |
| Part Number<br>Numéro Pièce  | Rev. 0                            | 7   |
| <b>5412ESSCH060604B</b>  |                                   |   |

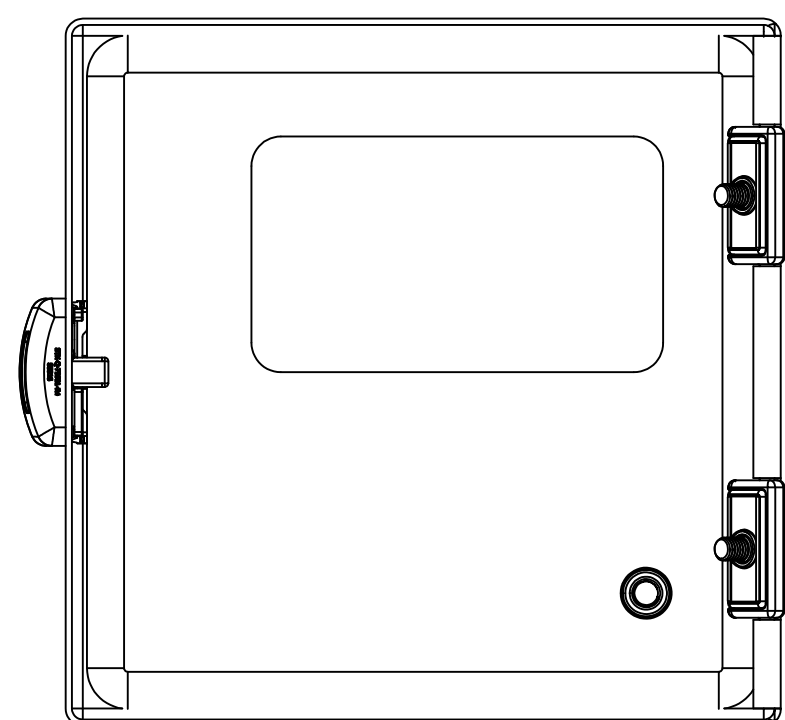
| Qty        | Part Number           | Rev | Description   |
|------------|-----------------------|-----|---|
| 4          | RIVET_NUT_SS_M6_FH_CE | 0   | Stainless Steel Rivet Nut M6 (Low Profile Close End)  |
| 1          | STK-Q-08100           | 1   | M5 Nylon Insert Lock Nut                              |
| 1          | 5412ESSCH060604B-P    | 0   | 5412ESSCH 6" x 6" x 4" Body Part                      |
| 1          | STK-A-70469           | 6   | 5412 ESSMCH - Stainless Steel 316 Body Catch Assembly |
| 5          | STK-Q-08500           | 4   | Stainless Steel Standoff M6 x 10mm                    |
| Parts List |                       |     |   |

This drawing is confidential and must not be reproduced or used without the consent of EXM

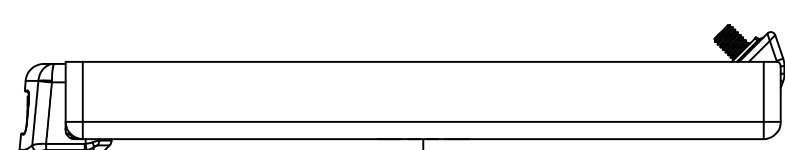
Ce dessin est confidentiel et ne doit pas être reproduit ou utilisé sans le consentement de EXM



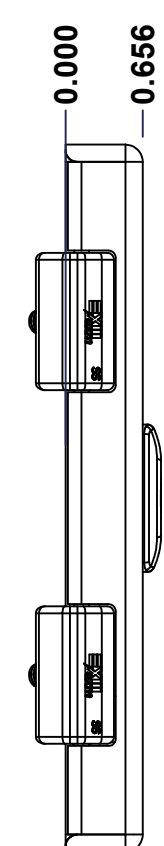
TOP



BACK

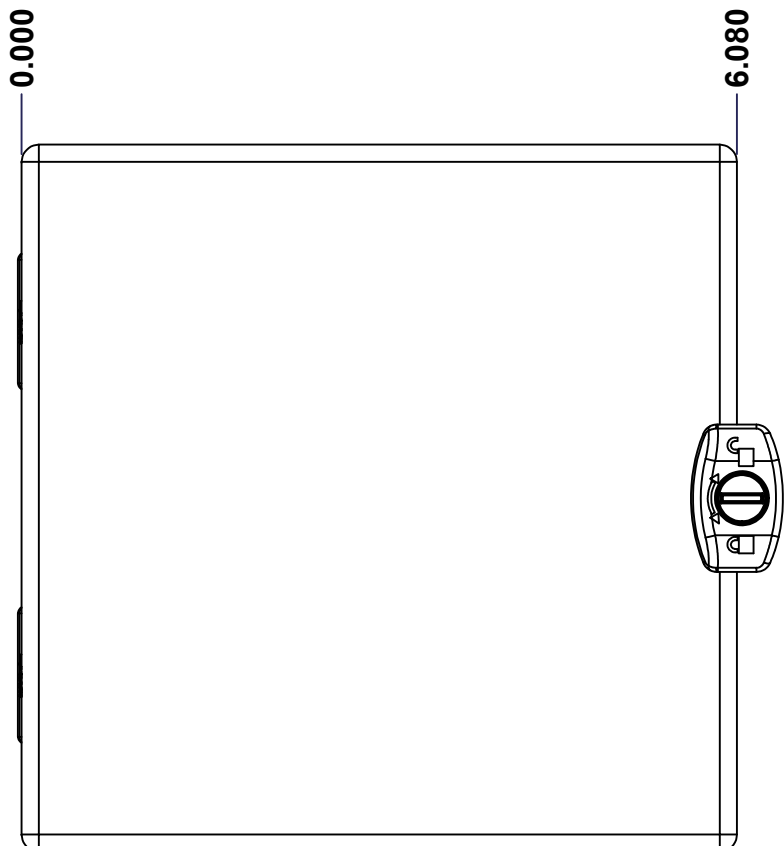


BOTTOM



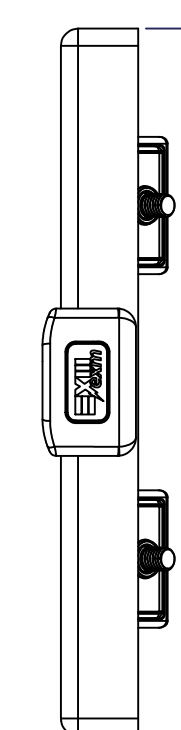
LEFT

0.000  
0.656



FRONT

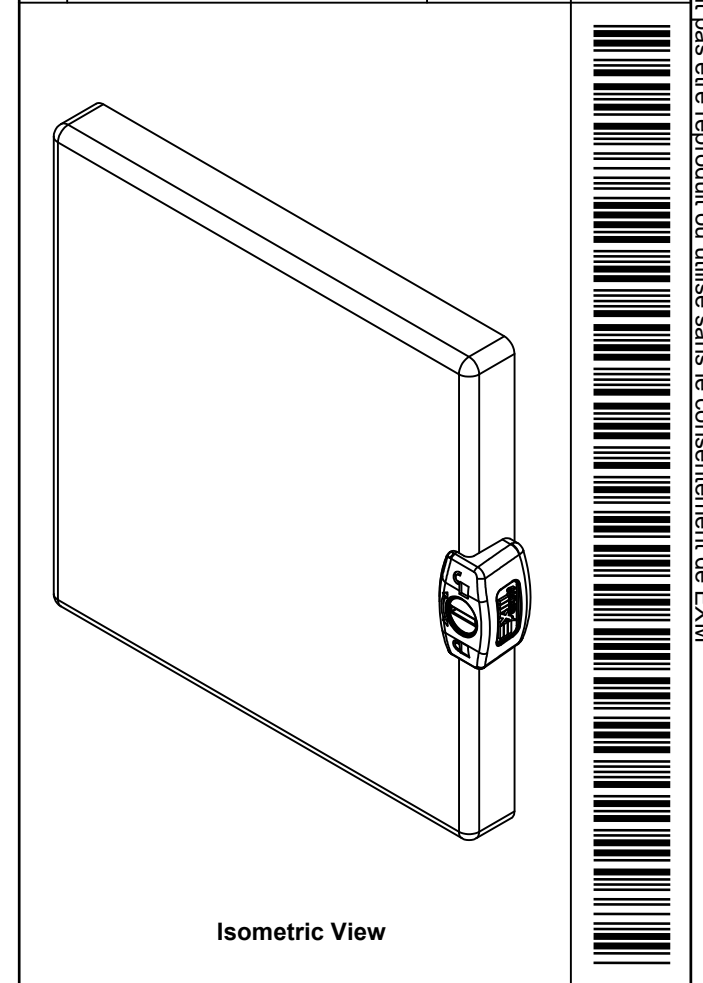
0.000  
6.080



RIGHT


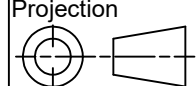
6.000  
0.000

| No. | Revisions | Date | By/Par |
|-----|-----------|------|--------|
|     |           |      |        |
|     |           |      |        |
|     |           |      |        |
|     |           |      |        |



Isometric View

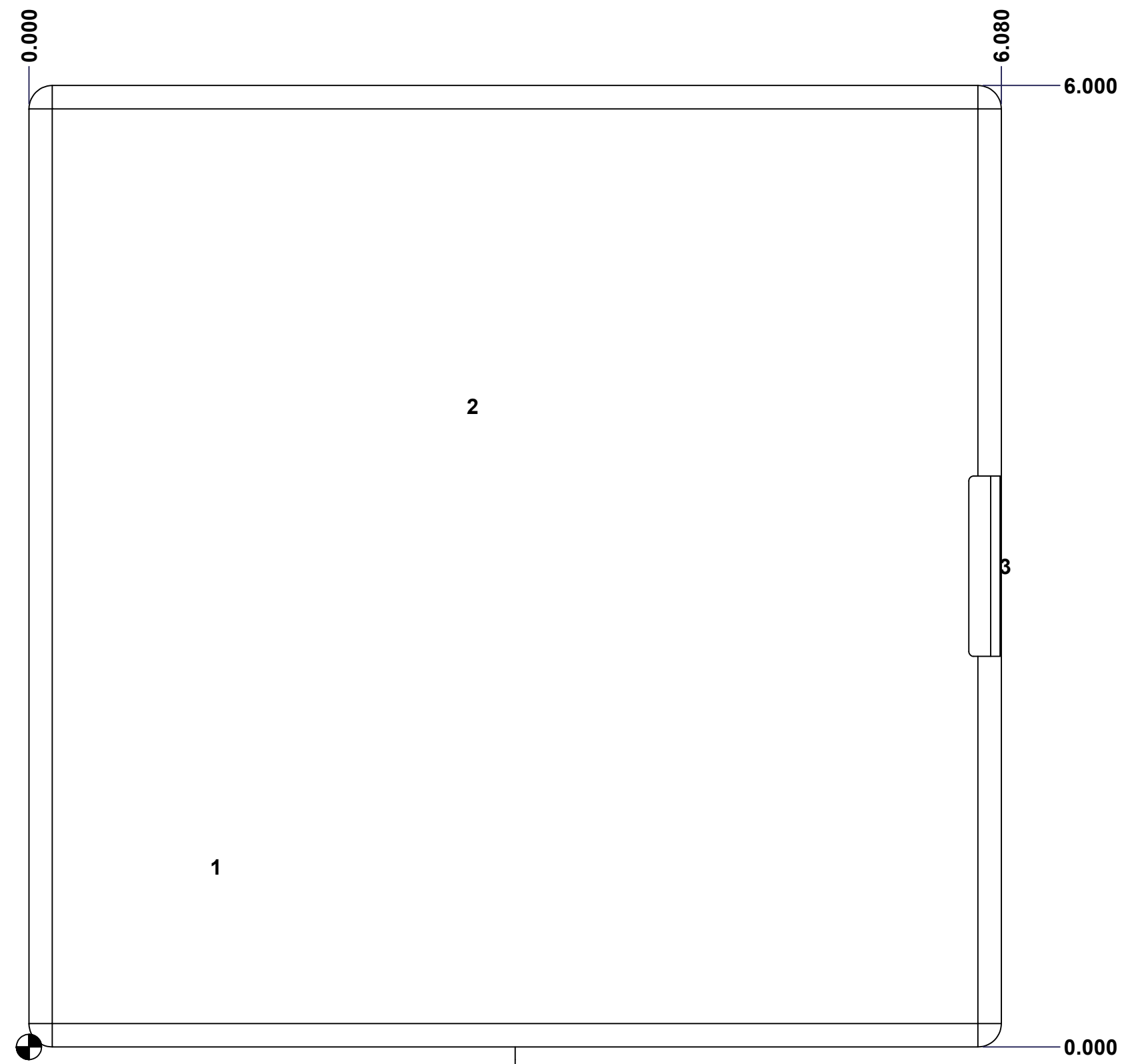


|  |  |   |  |
|--|--|---|--|
|  Tél: (450) 979-4373<br>Fax: (450) 979-4626<br><a href="http://www.exmweb.com">www.exmweb.com</a> |  | Flatness<br>Aplatissement<br>Max 3.0mm<br>Projection<br> |  |
| Customer Client  |  | Date  |  |
| Drawn By / Dessiné Par: BoxCad: BoxCad   |  | Date: 1/5/2014  |  |
| Material / Matière: 16 Ga Stainless Steel 304 (1.4mm)  |  | Color / Couleur: Unpainted  |  |
| Description: 5412ESSCH 6" x 6" Cover   |  | Finish / Fini: Brushed  |  |
| Part Number / Numéro Pièce: 5412ESSCH060604C   |  | Detail Rev. / Rev.: 0   |  |
| SEE BILL OF MATERIAL ON LAST PAGE  |  | 1 / 3   |  |

This drawing is confidential and must not be reproduced or used without the consent of EXM

Ce dessin est confidentiel et ne doit pas être reproduit ou utilisé sans le consentement de EXM

| STANDARD FEATURES ARE NOT LISTED IN THIS HOLE TABLE |       |       |                             |
|---|-------|-------|-----------------------------|
| HOLE TABLE - FRONT VIEW (CUSTOM FEATURE ONLY)       |       |       |                             |
| CUT-OUT   | XDIM  | YDIM  | DESCRIPTION                 |
| 1   | 1.145 | 1.125 | STANDOFF M6 x 10mm (Inside) |
| 2   | 2.750 | 4.000 | LABEL_EXM                   |
| 3   | 6.080 | 3.000 | LOCK 880 SCQ3MS @ 0.0°      |



FRONT

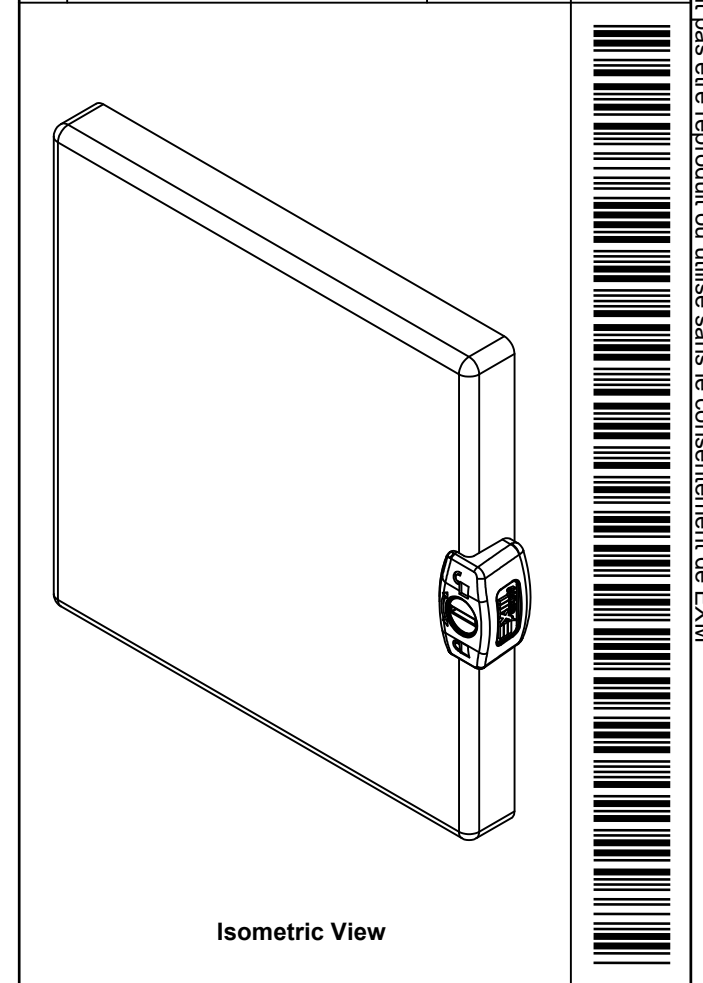
|  |                             |          |        |
|--|-----------------------------|----------|--------|
|  | Description                 | Status   |        |
|  | 5412ESSCH 6" x 6" Cover     | (NULL)   |        |
|  | Part Number<br>Numéro Pièce | Rev.     |        |
|  | <b>5412ESSCH060604C</b>     | <b>0</b> | 2<br>3 |


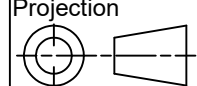


This drawing is confidential and must not be reproduced or used without the consent of EXM

Ce dessin est confidentiel et ne doit pas être reproduit ou utilisé sans le consentement de EXM

| No. | Revisions | Date | By/Par |
|-----|-----------|------|--------|
|     |           |      |        |
|     |           |      |        |
|     |           |      |        |
|     |           |      |        |
|     |           |      |        |

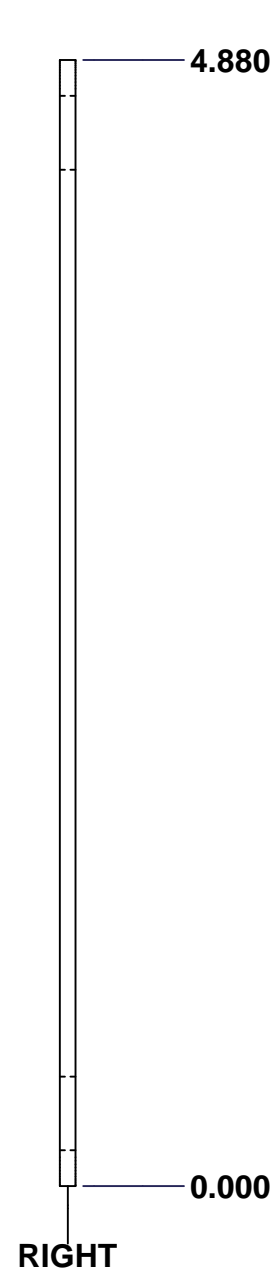
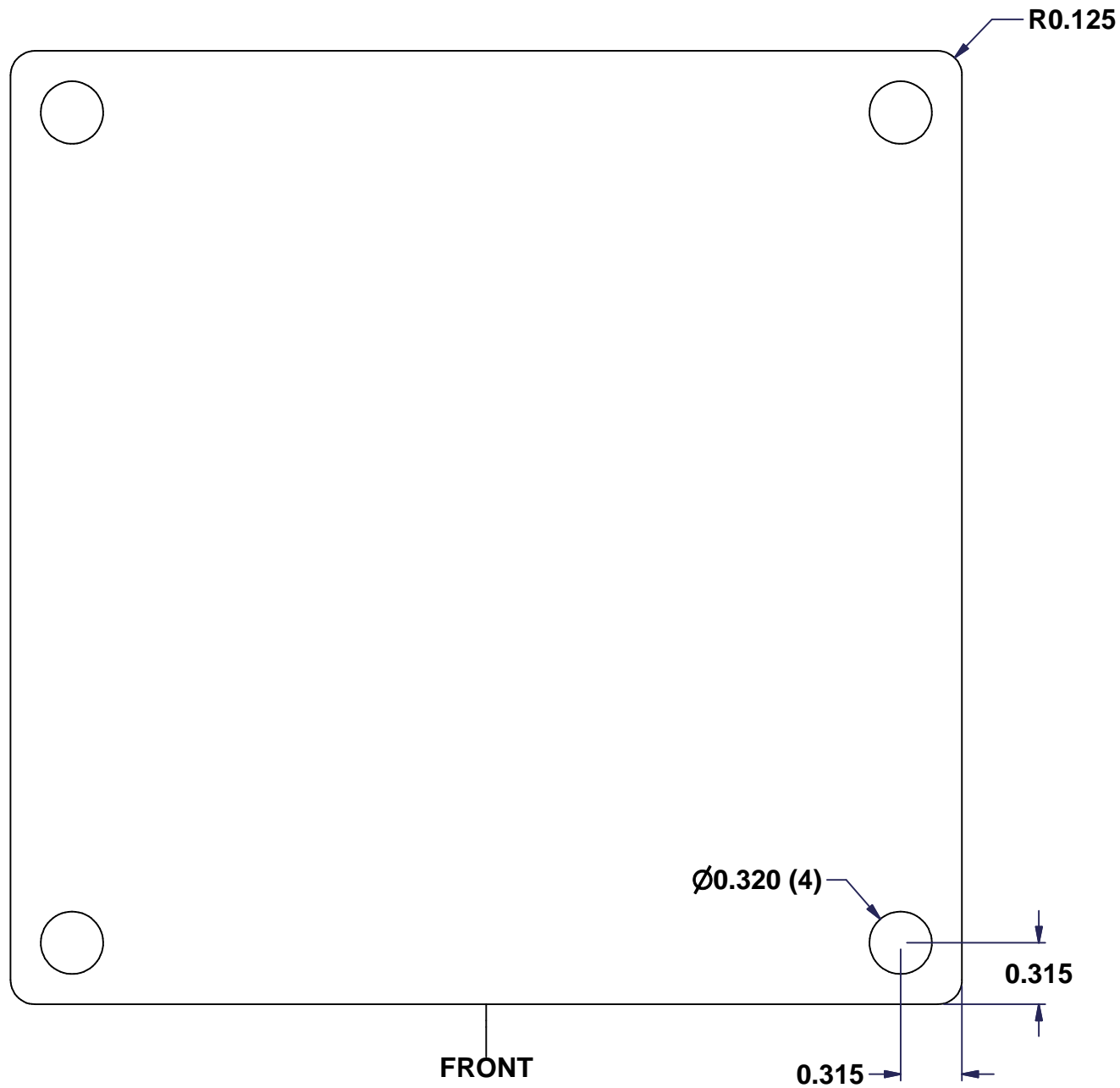
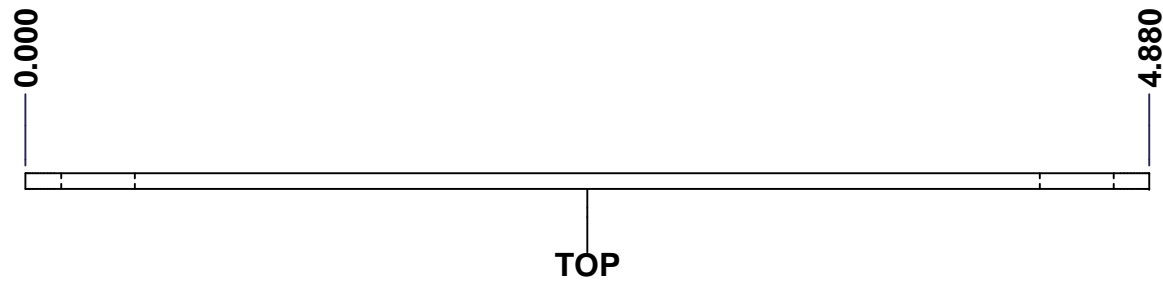


|  |                                   |   |
|--|-----------------------------------|---|
|  Tél: (450) 979-4373<br>Fax: (450) 979-4626<br><a href="http://www.exmweb.com">www.exmweb.com</a> |                                   | Flatness<br>Aplatissement<br>Max 3.0mm<br>Projection<br> |
| Customer<br>Client   | Date                              |   |
| Drawn By<br>Dessiné Par  | BoxCad: BoxCad                    | Date 1/5/2014   |
| Material<br>Matière  | 16 Ga Stainless Steel 304 (1.4mm) |   |
| Color<br>Couleur   | Unpainted                         | Finish<br>Fini Brushed  |
| Description  |                                   | Detail Rev.   |
| 5412ESSCH 6" x 6" Cover  |                                   |   |
| Part Number<br>Numéro Pièce  | Rev. 3                            | 3   |
| <b>5412ESSCH060604C</b>  | <b>0</b>                          | <b>3</b>  |

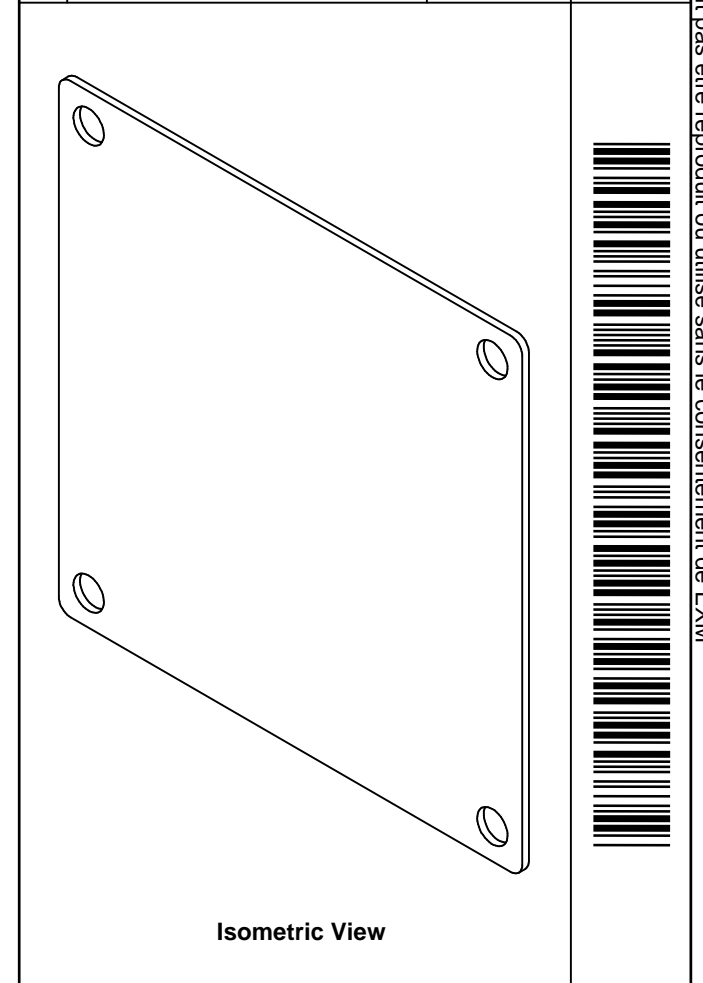
| Qty        | Part Number        | Rev | Description  |
|------------|--------------------|-----|--|
| 1          | 5412ESSCH060604G   | 0   | 5412ESSCH 6" x 6" Gasket                                     |
| 1          | 880SCQ3S           | 4   | 5412 ESSMCH - Stainless Steel External Lock Assy - Slot Lock |
| 1          | STK-S-00100        | 0   | 3.5" x 2" Silver Milar Flexcon Sticker                       |
| 1          | STK-Q-08500        | 4   | Stainless Steel Standoff M6 x 10mm                           |
| 1          | 5412ESSCH060604C-P | 0   | 5412ESSCH 6" x 6" Cover Part                                 |
| 2          | STK-A-33038        | 3   | 5412 ESSMCH - Stainless Steel Hinge                          |
| Parts List |                    |     |  |


This drawing is confidential and must not be reproduced or used without the consent of EXM

Ce dessin est confidentiel et ne doit pas être reproduit ou utilisé sans le consentement de EXM



| No. | Revisions | Date | By/Par |
|-----|-----------|------|--------|
|     |           |      |        |
|     |           |      |        |
|     |           |      |        |
|     |           |      |        |



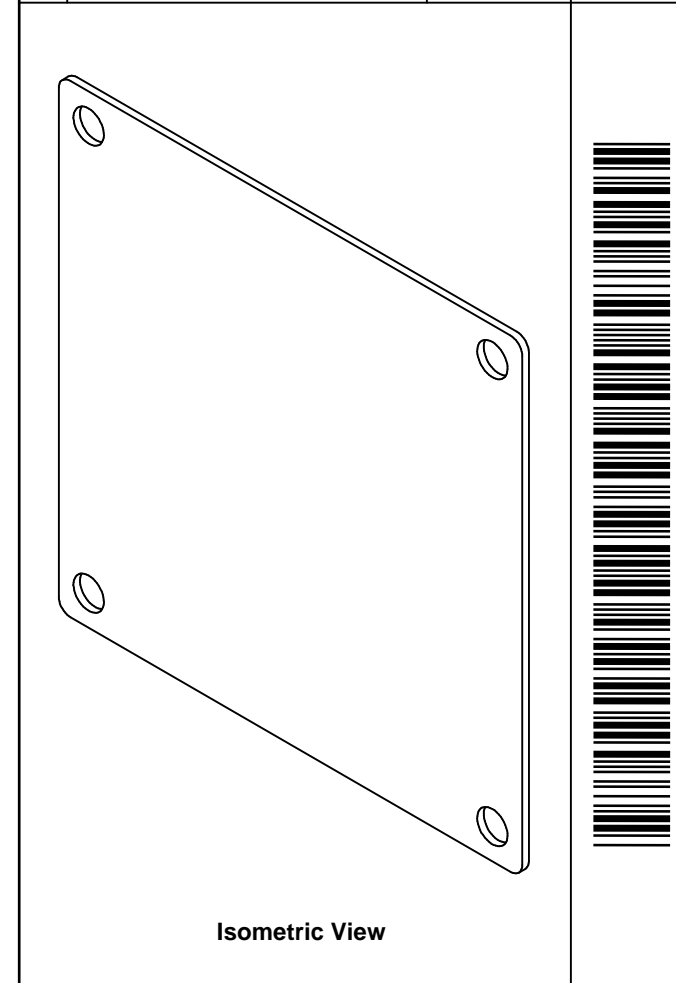
|  |  |                           |        |
|--|--|---------------------------|--------|
|  Tél: (450) 979-4373<br>Fax: (450) 979-4626<br>www.exmweb.com |  | Flatness<br>Aplatissement |        |
|  |  | Max 3.0mm                 |        |
| Customer<br>Client   |  | Date                      |        |
| Drawn By<br>Dessiné Par BoxCad   |  | Date 23-Jan-07            |        |
| Material<br>Matière  |  | 14 Ga Galvanized (1.7mm)  |        |
| Color<br>Couleur Unpainted   |  | Finish<br>Fini Galvanized |        |
| Description  |  | Detail Rev.               |        |
| 880 SP0606G - Inner Panel  |  |                           |        |
| Part Number<br>Numéro Pièce  |  | Rev.                      |        |
| 880 SP0606G  |  | 0                         | 1<br>2 |


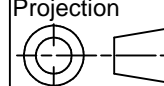
SEE BILL OF MATERIAL ON LAST PAGE

This drawing is confidential and must not be reproduced or used without the consent of EXM

Ce dessin est confidentiel et ne doit pas être reproduit ou utilisé sans le consentement de EXM

| No. | Revisions | Date | By/Par |
|-----|-----------|------|--------|
|     |           |      |        |
|     |           |      |        |
|     |           |      |        |
|     |           |      |        |
|     |           |      |        |



|  |                          |   |
|--|--------------------------|---|
|  Tél: (450) 979-4373<br>Fax: (450) 979-4626<br>www.exmweb.com |                          | Flatness<br>Aplatissement<br>Max 3.0mm<br>Projection<br> |
| Customer Client  | Date                     |   |
| Drawn By<br>Dessiné Par  | BoxCad                   | Date 23-Jan-07  |
| Material<br>Matière  | 14 Ga Galvanized (1.7mm) |   |
| Color<br>Couleur   | Unpainted                | Finish<br>Fini Galvanized   |
| Description  | Detail Rev.              |   |
| 880 SP0606G - Inner Panel  |                          |   |
| Part Number<br>Numéro Pièce  | Rev. 0                   | 2   |
| <b>880 SP0606G</b>   |                          | 2   |

| Qty        | Part Number   | Rev | Description                    |
|------------|---------------|-----|--------------------------------|
| 1          | 880 SP0606G-P | 0   | 880 SP0606G - Inner Panel Part |
| Parts List |               |     |                                |