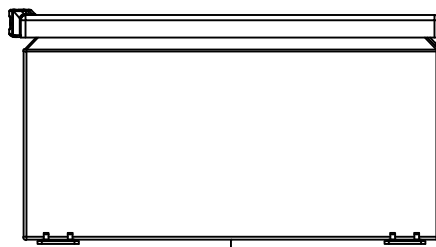
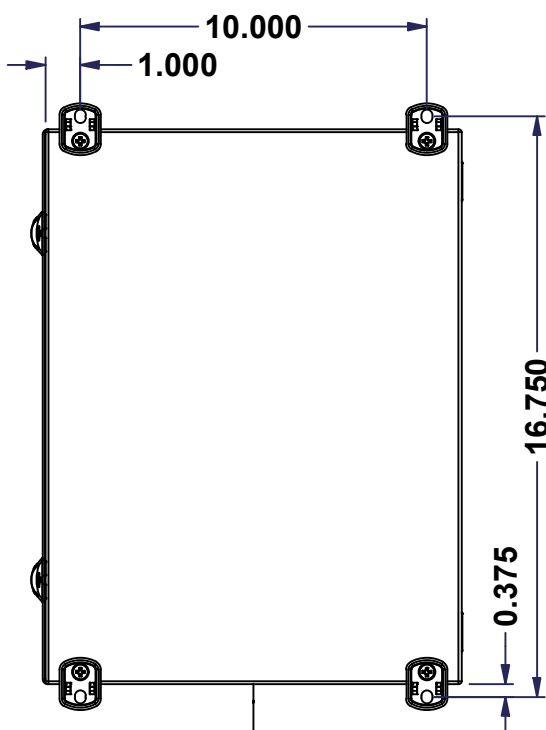


This drawing is confidential and must not be reproduced or used without the consent of EXM

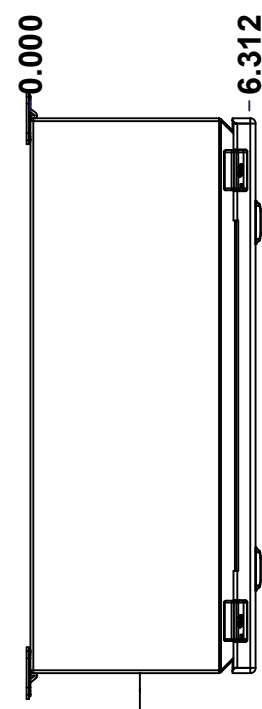
Ce dessin est confidentiel et ne doit pas être reproduit ou utilisé sans le consentement de EXM



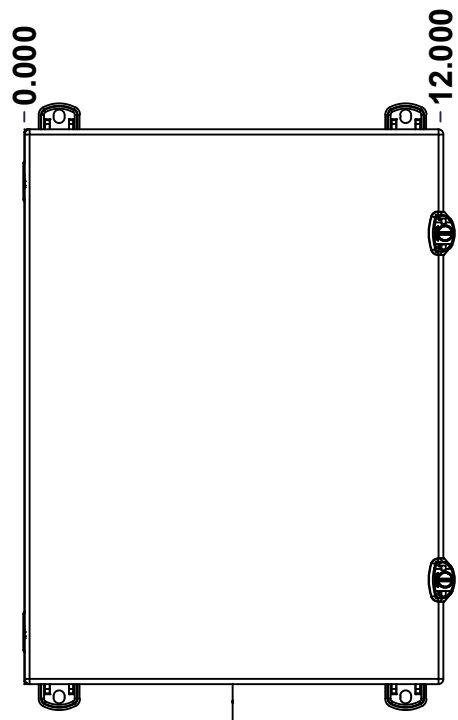
TOP



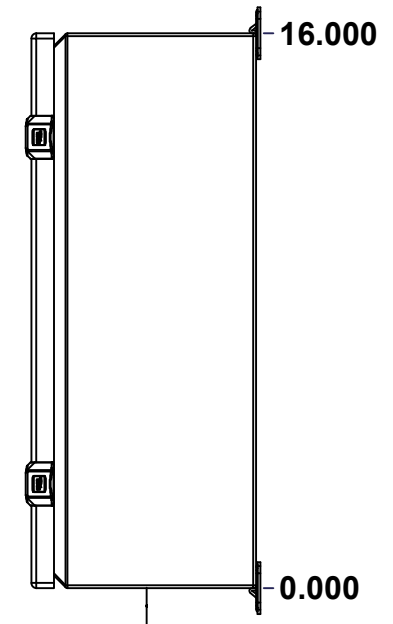
BACK



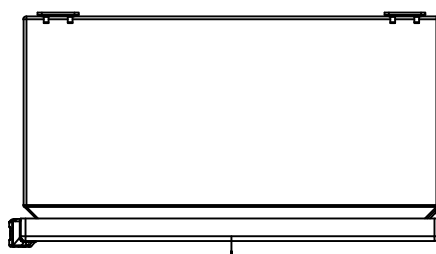
LEFT



FRONT



RIGHT

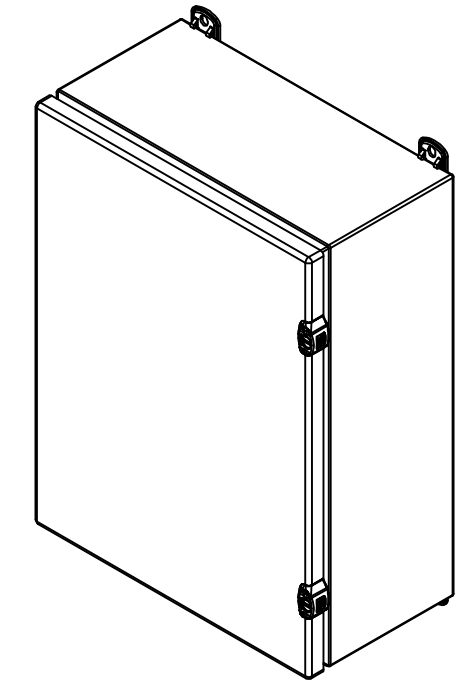


BOTTOM

**GRAIN DIRECTION:
TOP/BOTTOM: HORIZONTAL
LEFT/RIGHT/BACK/FRONT: VERTICAL**

SEE BILL OF MATERIAL ON LAST PAGE

| No. | Revisions | Date | By/Par |
|-----|-----------|------|--------|
| | | | |
| | | | |
| | | | |
| | | | |



Isometric View



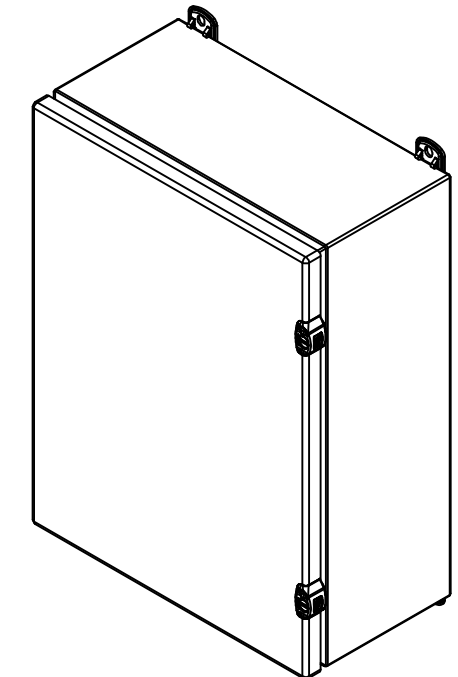
| | | |
|--------------------------------------------------------------------------------------------------|-----------------------------------|----------------------------------------------------------|
| Tél: (450) 979-4373 Fax: (450) 979-4626 www.exmweb.com | | Flatness Aplatissement Max 3.0mm Projection |
| Customer Client | | Date |
| Drawn By Dessiné Par | BoxCad: BoxCad | Date 07-Mar-22 |
| Material Matière | 16 Ga Stainless Steel 316 (1.4mm) | |
| Color Couleur | Unpainted | Finish Fini Brushed |
| Description | Detail Rev. | |
| 5412ESSCH 16" x 12" x 6" Assembly | | |
| Part Number Numéro Pièce | Rev. 0 | 1 9 |
| 5412ESSCH1612066 | | |

This drawing is confidential and must not be reproduced or used without the consent of EXM

Ce dessin est confidentiel et ne doit pas être reproduit ou utilisé sans le consentement de EXM

| NOTE | |
|------|------------------------------------------------|
| ITEM | DESCRIPTION |
| 1 | NEMA 4X Enclosure |
| 2 | C/W Standard ground standoffs on box and cover |
| 3 | W/O Standard door stiffener |
| 4 | C/W Standard inner panel (Included) |
| 5 | C/W Standard inner panel mounting standoffs |
| 6 | C/W 885 ESCHMF2 Mounting Feet (Installed) |

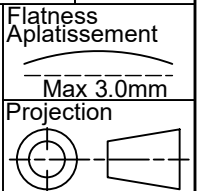
| No. | Revisions | Date | By/Par |
|-----|-----------|------|--------|
| | | | |
| | | | |
| | | | |
| | | | |
| | | | |
| | | | |



Isometric View



Tél: (450) 979-4373
 Fax: (450) 979-4626
www.exmweb.com



| | |
|-------------------------------------------------------|-----------------|
| Customer Client | Date |
| Drawn By / Dessiné Par: BoxCad: BoxCad | Date: 07-Mar-22 |
| Material / Matière: 16 Ga Stainless Steel 316 (1.4mm) | |

| | |
|-----------------------------------------------------|------------------------|
| Color / Couleur: Unpainted | Finish / Fini: Brushed |
| Description: 5412ESSCH 16" x 12" x 6" Assembly | |
| Part Number / Numéro Pièce: 5412ESSCH1612066 | Rev. 0 |

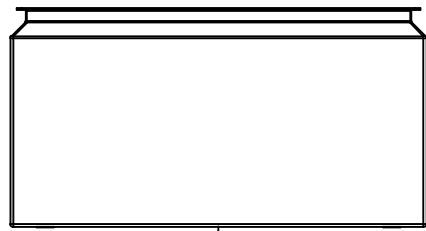
| PACKING | | |
|-----------------|-----|--------------------------------------------|
| ITEM | QTY | DESCRIPTION |
| STK-E-04326 | 1 | CARTON 5412 ESCH161206 |
| Plastic bag | 1 | To protect cover surface and inside gasket |
| Packaging label | 1 | White label with product number |
| STK-S-01100 | 1 | ESCH EXM SQUARE STICKER |

| Qty | Part Number | Rev | Description |
|-----|-------------------|-----|----------------------------------------------------------|
| 2 | STK-Q-08126 | 0 | M5 Stainless Steel 316 Nylon Insert Lock Nut With O-Ring |
| 1 | 5412ESSCH1612066C | 0 | 5412ESSCH 16" x 12" Cover |
| 1 | 885 ESSCHMFQ | 0 | 5412 ESSCH Mounting Feet Accessory Kit |
| 1 | 880 SP1612G | 0 | 880 SP1612G - Inner Panel |
| 1 | STK-K-02910 | 3 | 5412 ESCH Accessory Kit |
| 1 | 5412ESSCH1612066B | 0 | 5412ESSCH 16" x 12" x 6" Body |

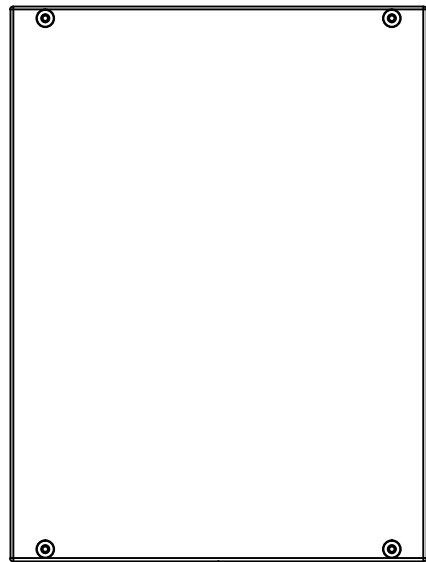
Parts List

This drawing is confidential and must not be reproduced or used without the consent of EXM

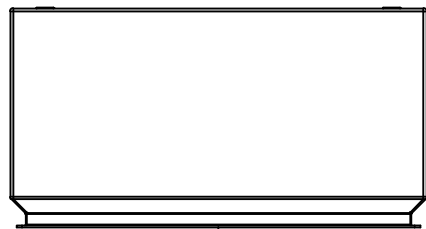
Ce dessin est confidentiel et ne doit pas être reproduit ou utilisé sans le consentement de EXM



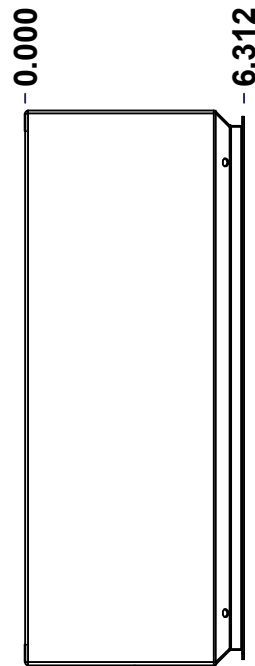
TOP



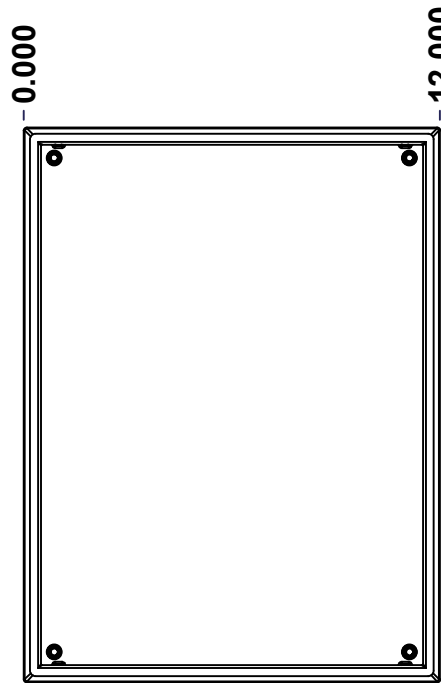
BACK



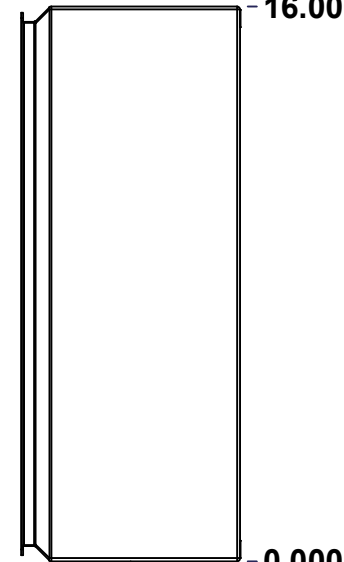
BOTTOM



LEFT

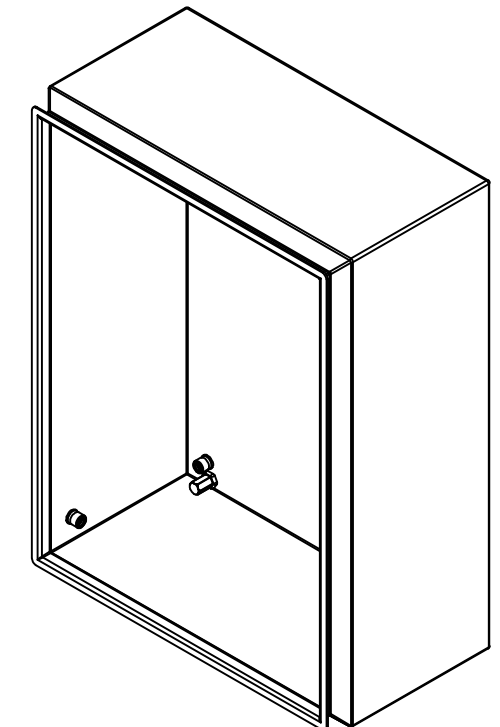


FRONT



RIGHT

| No. | Revisions | Date | By/Par |
|-----|-----------|------|--------|
| | | | |
| | | | |
| | | | |
| | | | |



Isometric View

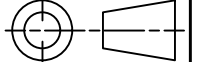


Tél: (450) 979-4373
 Fax: (450) 979-4626
www.exmweb.com

Flatness
Aplatissement

Max 3.0mm

Projection



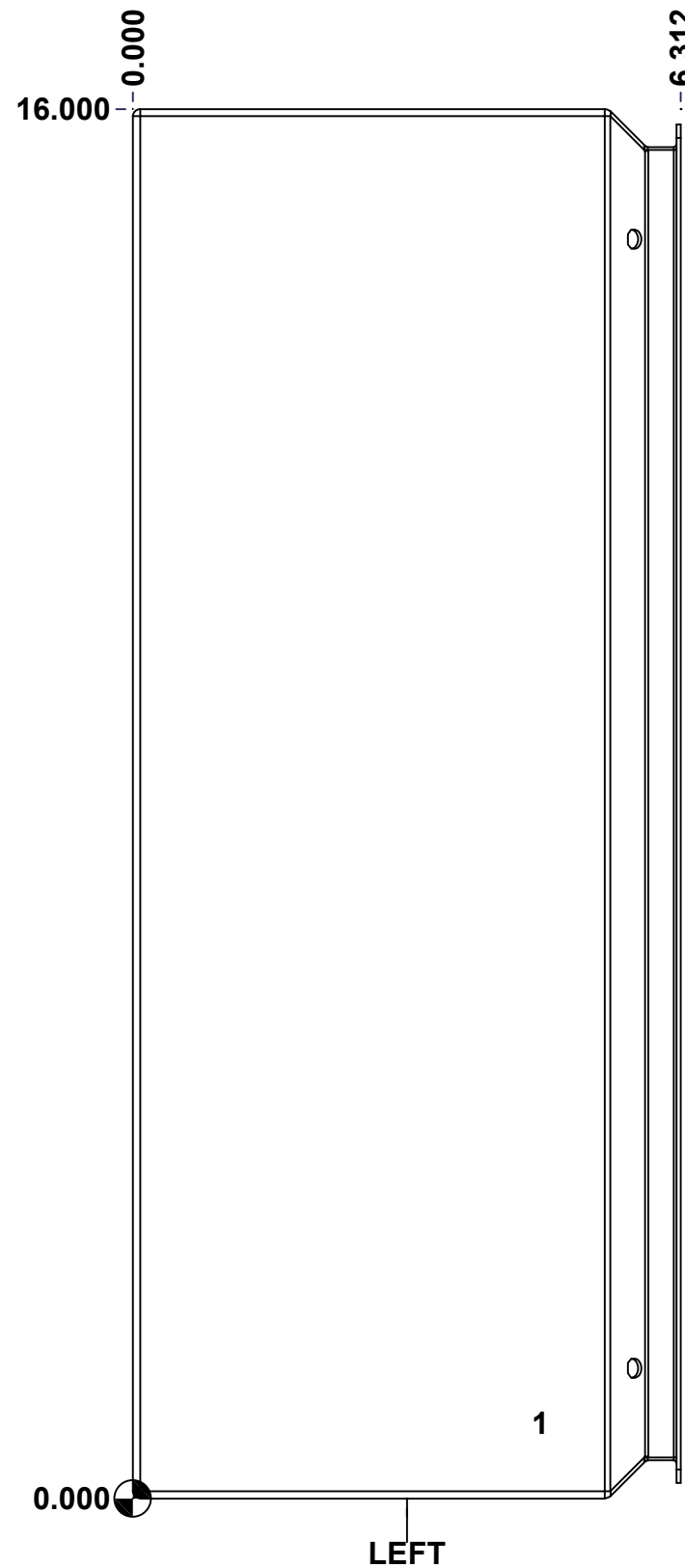
| | |
|-------------------------------------------------------|------------------------|
| Customer Client | Date |
| Drawn By Dessiné Par BoxCad: BoxCad | Date 07-Mar-22 |
| Material Matière 16 Ga Stainless Steel 316 (1.4mm) | |
| Color Couleur Unpainted | Finish Fini Brushed |
| Description 5412ESSCH 16" x 12" x 6" Body | Detail Rev. |
| Part Number Numéro Pièce 5412ESSCH1612066B | Rev. 0 |

SEE BILL OF MATERIAL ON LAST PAGE

This drawing is confidential and must not be reproduced or used without the consent of EXM

Ce dessin est confidentiel et ne doit pas être reproduit ou utilisé sans le consentement de EXM

| STANDARD FEATURES ARE NOT LISTED IN THIS HOLE TABLE | | | |
|------------------------------------------------------------|-------|-------|-----------------------------|
| HOLE TABLE - LEFT VIEW (CUSTOM FEATURE ONLY) | | | |
| CUT-OUT | XDIM | YDIM | DESCRIPTION |
| 1 | 4.625 | 0.875 | STANDOFF M6 x 10mm (Inside) |



| | | | |
|--|-------------------------------|----------|--------|
| | Description | Status | |
| | 5412ESSCH 16" x 12" x 6" Body | (NULL) | |
| | Part Number Numéro Pièce | Rev. | |
| | 5412ESSCH1612066B | 0 | 4 9 |

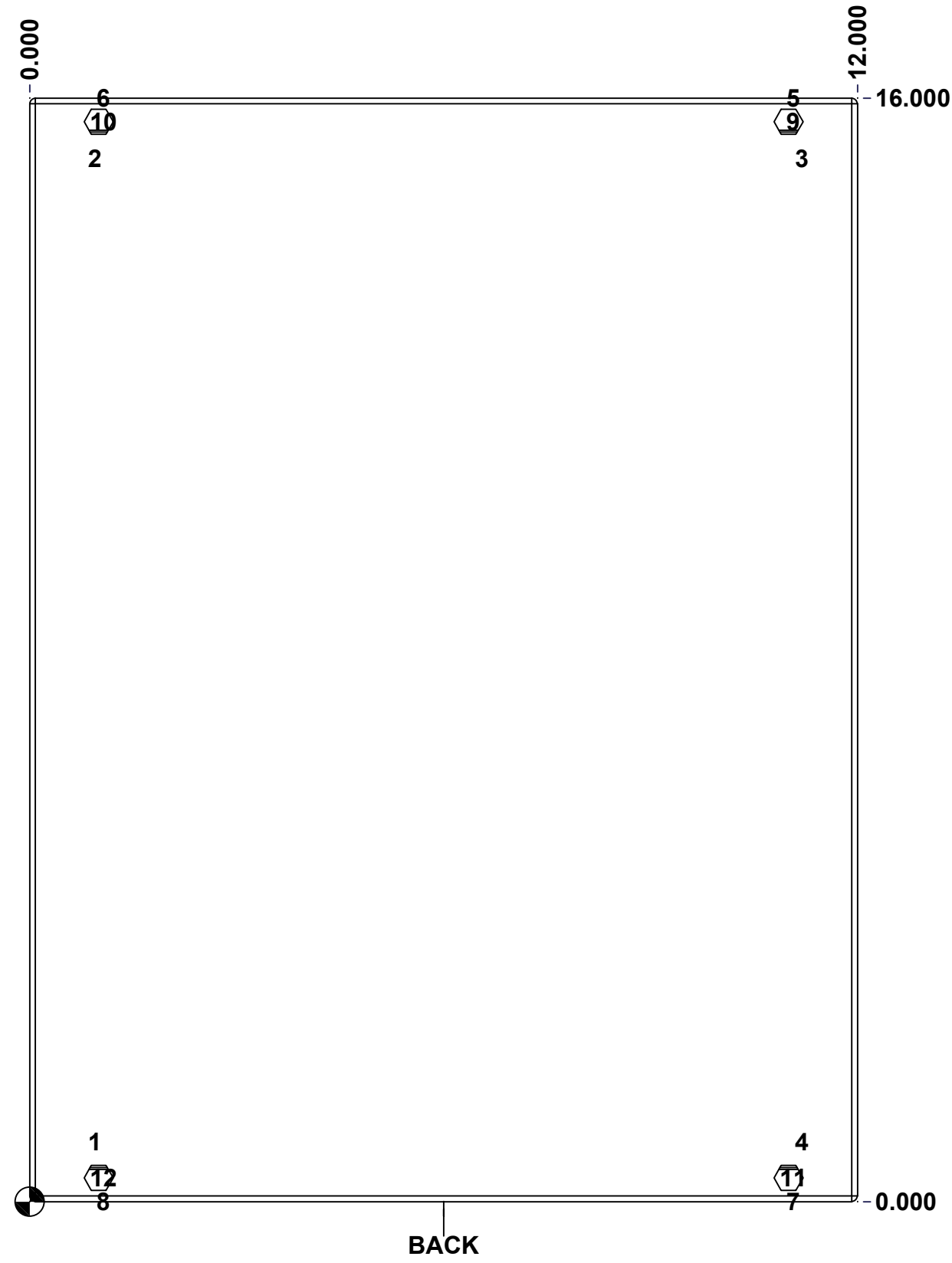
This drawing is confidential and must not be reproduced or used without the consent of EXM

Ce dessin est confidentiel et ne doit pas être reproduit ou utilisé sans le consentement de EXM

STANDARD FEATURES ARE NOT LISTED IN THIS HOLE TABLE

HOLE TABLE - BACK VIEW (CUSTOM FEATURE ONLY)

| CUT-OUT | XDIM | YDIM | DESCRIPTION |
|---------|--------|--------|--------------------------------|
| 1 | 0.875 | 0.875 | IP STANDOFF M6 x 10mm (Inside) |
| 2 | 0.875 | 15.125 | IP STANDOFF M6 x 10mm (Inside) |
| 3 | 11.125 | 15.125 | IP STANDOFF M6 x 10mm (Inside) |
| 4 | 11.125 | 0.875 | IP STANDOFF M6 x 10mm (Inside) |
| ----- | | | |
| 5 | 11.000 | 16.000 | FOOT 885 ESCHMF2 |
| 6 | 1.000 | 16.000 | FOOT 885 ESCHMF2 |
| 7 | 11.000 | 0.000 | FOOT 885 ESCHMF2 |
| 8 | 1.000 | 0.000 | FOOT 885 ESCHMF2 |
| 9 | 11.000 | 15.656 | RIVET NUT M6_FH_CE (Inside) |
| 10 | 1.000 | 15.656 | RIVET NUT M6_FH_CE (Inside) |
| 11 | 11.000 | 0.344 | RIVET NUT M6_FH_CE (Inside) |
| 12 | 1.000 | 0.344 | RIVET NUT M6_FH_CE (Inside) |



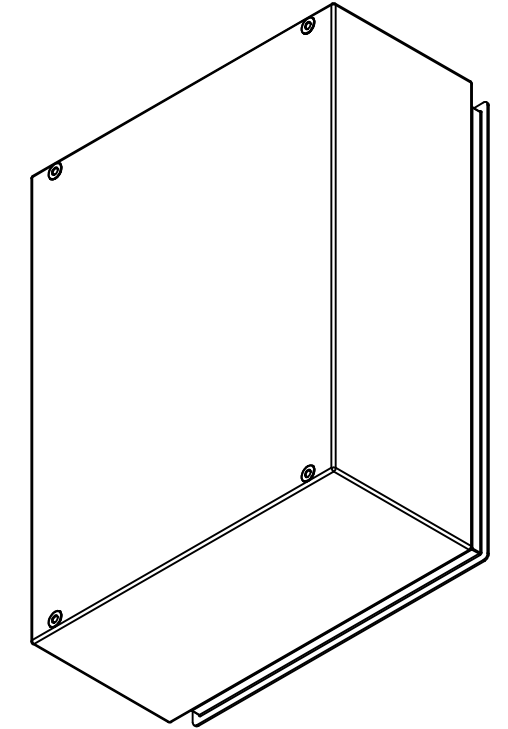
BACK

| | | |
|--|-------------------------------|------------------|
| | Description | Status |
| | 5412ESSCH 16" x 12" x 6" Body | (NULL) |
| | Part Number Numéro Pièce | Rev. |
| | 5412ESSCH1612066B | 0 / 5 / 9 |

This drawing is confidential and must not be reproduced or used without the consent of EXM


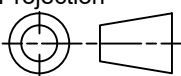
Ce dessin est confidentiel et ne doit pas être reproduit ou utilisé sans le consentement de EXM

| No. | Revisions | Date | By/Par |
|-----|-----------|------|--------|
| | | | |
| | | | |
| | | | |
| | | | |
| | | | |



Isometric View

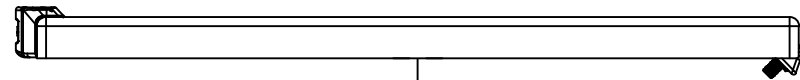


| | | |
|----------------------------------------------------------------------------------------------------------------------------------------------------------------------------------------|------------------------|-----------------------------------------------------------------------------------------------------|
|  Tél: (450) 979-4373 Fax: (450) 979-4626 www.exmweb.com | | Flatness Aplatissement Max 3.0mm |
| Customer Client | | Projection  |
| Drawn By / Dessiné Par: BoxCad: BoxCad | | Date: 07-Mar-22 |
| Material / Matière: 16 Ga Stainless Steel 316 (1.4mm) | | |
| Color / Couleur: Unpainted | Finish / Fini: Brushed | |
| Description: 5412ESSCH 16" x 12" x 6" Body | | Detail Rev. |
| Part Number / Numéro Pièce: 5412ESSCH1612066B | | Rev. 6 / 9 |

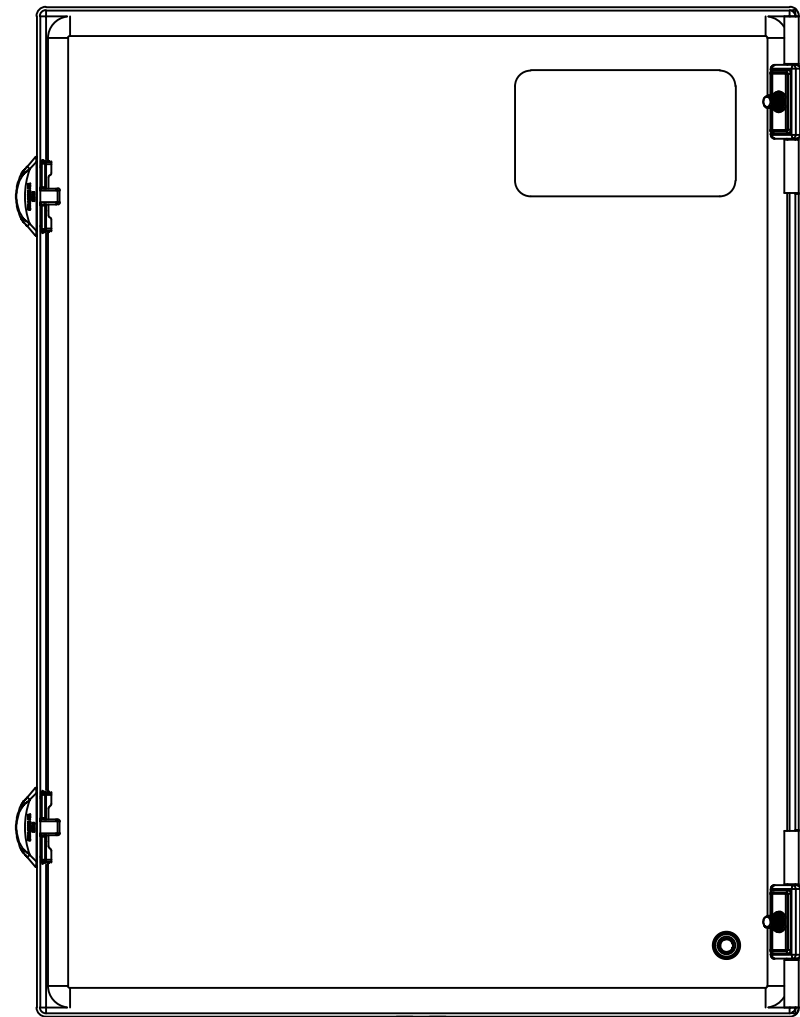
| Qty | Part Number | Rev | Description |
|------------|-----------------------|-----|------------------------------------------------------|
| 1 | 5412ESSCH1612066B-P | 0 | 5412ESSCH 16" x 12" x 6" Body Part |
| 4 | RIVET_NUT_SS_M6_FH_CE | 0 | Stainless Steel Rivet Nut M6 (Low Profile Close End) |
| 5 | STK-Q-08500 | 4 | Stainless Steel Standoff M6 x 10mm |
| Parts List | | | |

This drawing is confidential and must not be reproduced or used without the consent of EXM

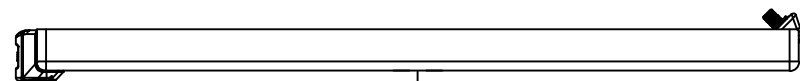
Ce dessin est confidentiel et ne doit pas être reproduit ou utilisé sans le consentement de EXM



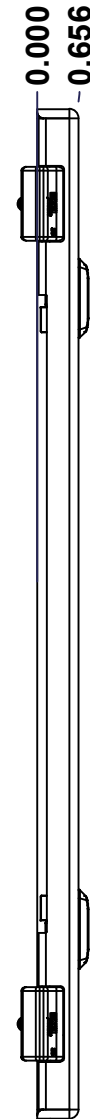
TOP



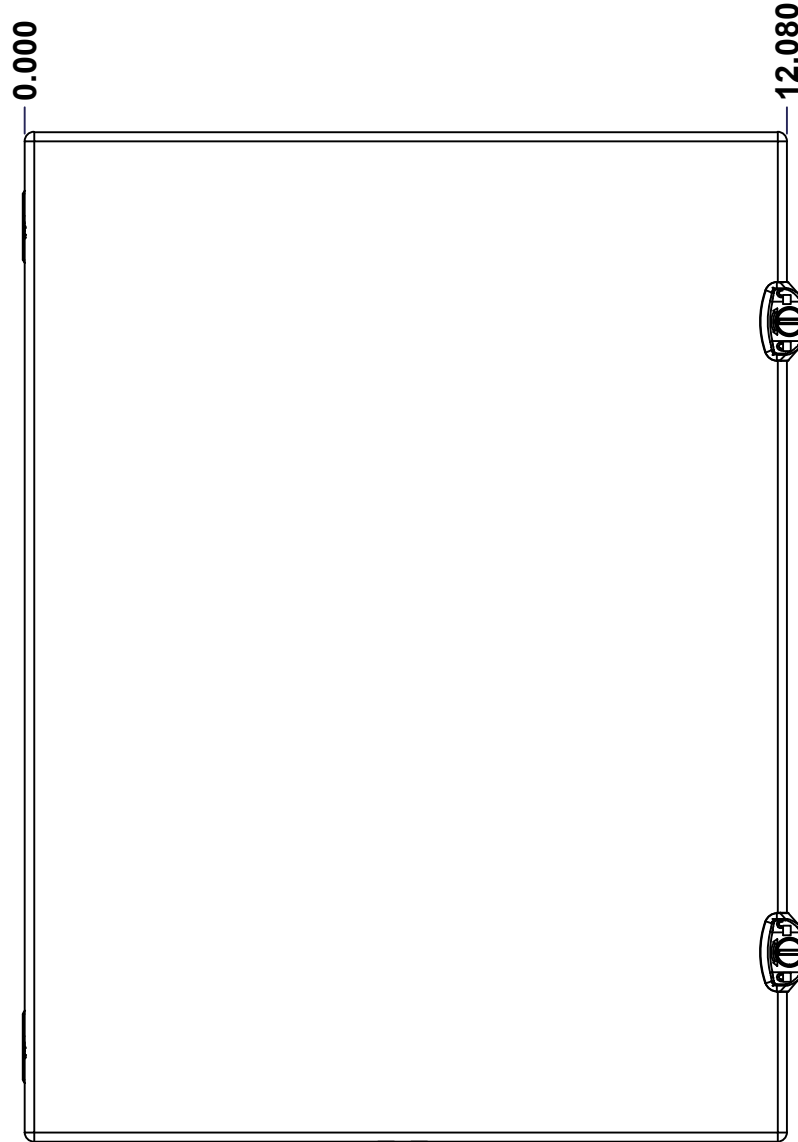
BACK



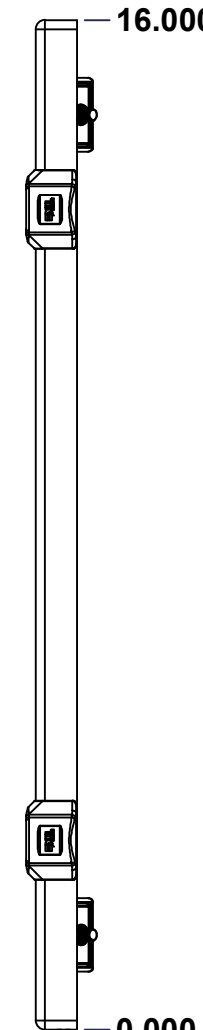
BOTTOM



LEFT

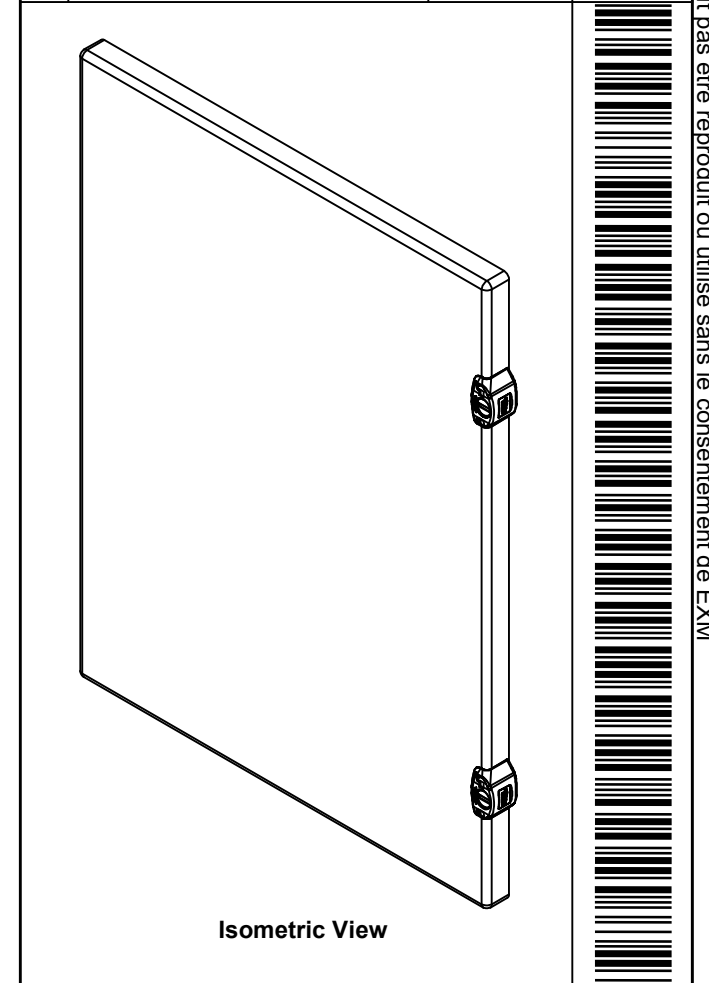


FRONT




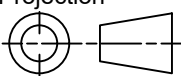
RIGHT

| No. | Revisions | Date | By/Par |
|-----|-----------|------|--------|
| | | | |
| | | | |
| | | | |
| | | | |



Isometric View



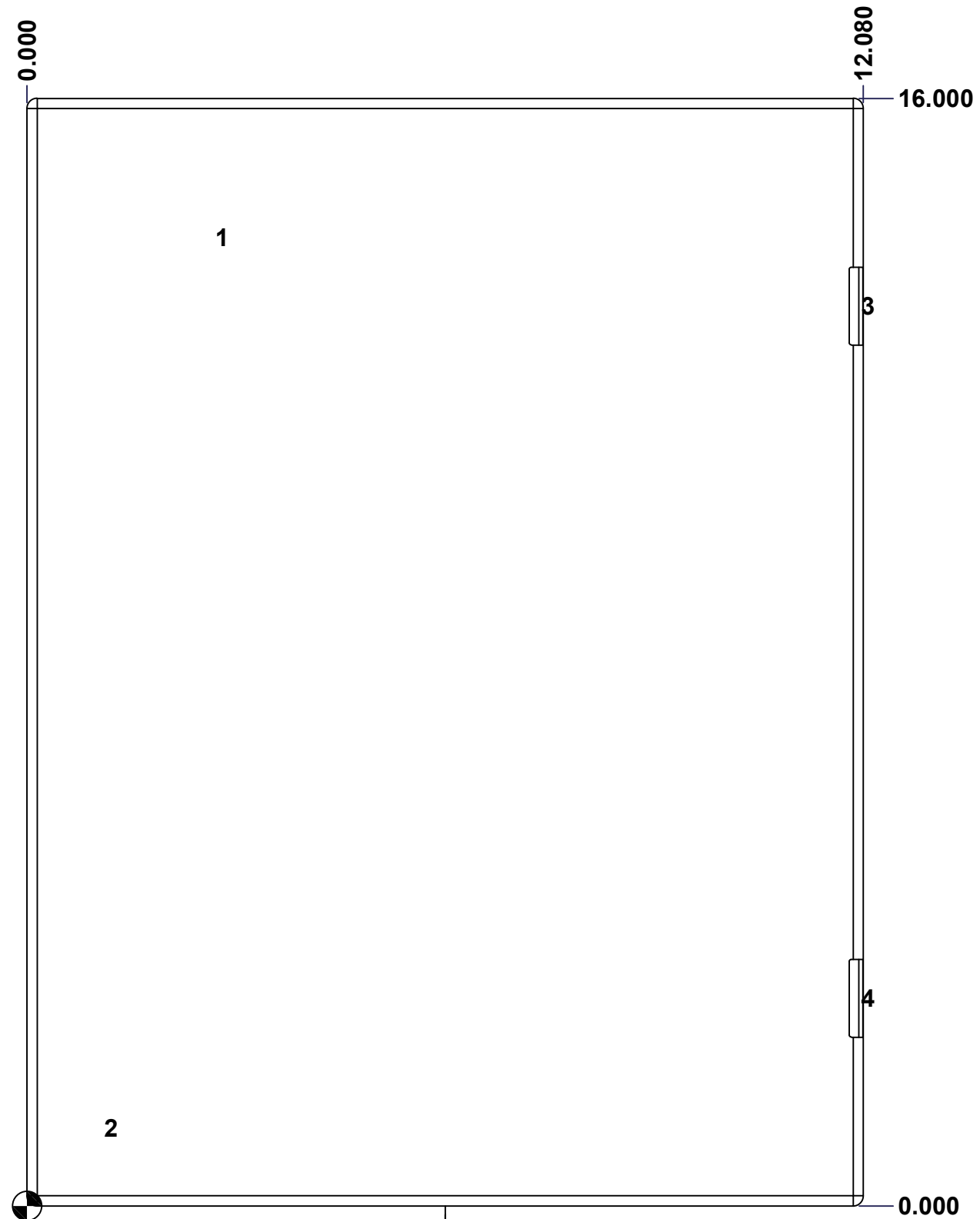
| | | |
|----------------------------------------------------------------------------------------------------------------------------------------------------------------------------------------|-----------------------------------|-----------------------------------------------------------------------------------------------------------------------------------------------|
|  Tél: (450) 979-4373 Fax: (450) 979-4626 www.exmweb.com | | Flatness Aplatissement Max 3.0mm Projection  |
| Customer Client | Date | |
| Drawn By Dessiné Par | BoxCad: BoxCad | Date 07-Mar-22 |
| Material Matière | 16 Ga Stainless Steel 316 (1.4mm) | |
| Color Couleur | Unpainted | Finish Fini Brushed |
| Description | | Detail Rev. |
| 5412ESSCH 16" x 12" Cover | | |
| Part Number Numéro Pièce | Rev. | 7 |
| 5412ESSCH1612066C | 0 | 9 |

SEE BILL OF MATERIAL ON LAST PAGE

This drawing is confidential and must not be reproduced or used without the consent of EXM

Ce dessin est confidentiel et ne doit pas être reproduit ou utilisé sans le consentement de EXM

| STANDARD FEATURES ARE NOT LISTED IN THIS HOLE TABLE | | | |
|-----------------------------------------------------|--------|--------|-----------------------------|
| HOLE TABLE - FRONT VIEW (CUSTOM FEATURE ONLY) | | | |
| CUT-OUT | XDIM | YDIM | DESCRIPTION |
| 1 | 2.750 | 14.000 | LABEL_EXM |
| 2 | 1.145 | 1.125 | STANDOFF M6 x 10mm (Inside) |
| 3 | 12.080 | 13.000 | LOCK 880 SCQ3MS @ 0.0° |
| 4 | 12.080 | 3.000 | LOCK 880 SCQ3MS @ 0.0° |



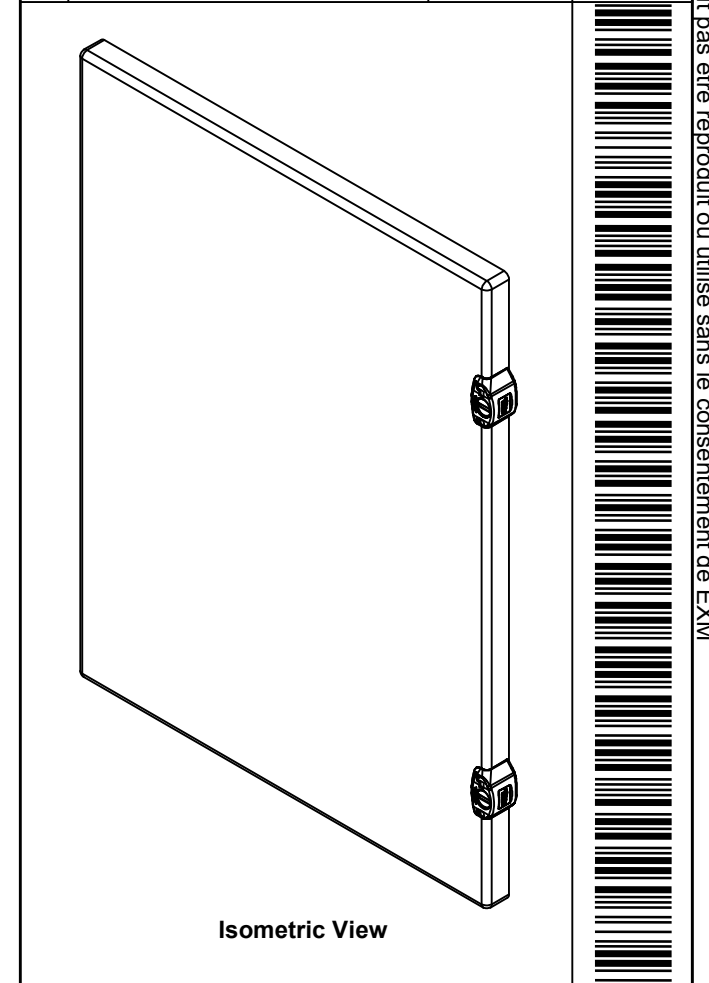
FRONT

| | | | |
|--|-----------------------------|----------|--------|
| | Description | Status | |
| | 5412ESSCH 16" x 12" Cover | (NULL) | |
| | Part Number Numéro Pièce | Rev. | |
| | 5412ESSCH1612066C | 0 | 8 9 |


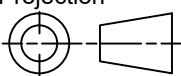
This drawing is confidential and must not be reproduced or used without the consent of EXM

Ce dessin est confidentiel et ne doit pas être reproduit ou utilisé sans le consentement de EXM

| No. | Revisions | Date | By/Par |
|-----|-----------|------|--------|
| | | | |
| | | | |
| | | | |
| | | | |
| | | | |



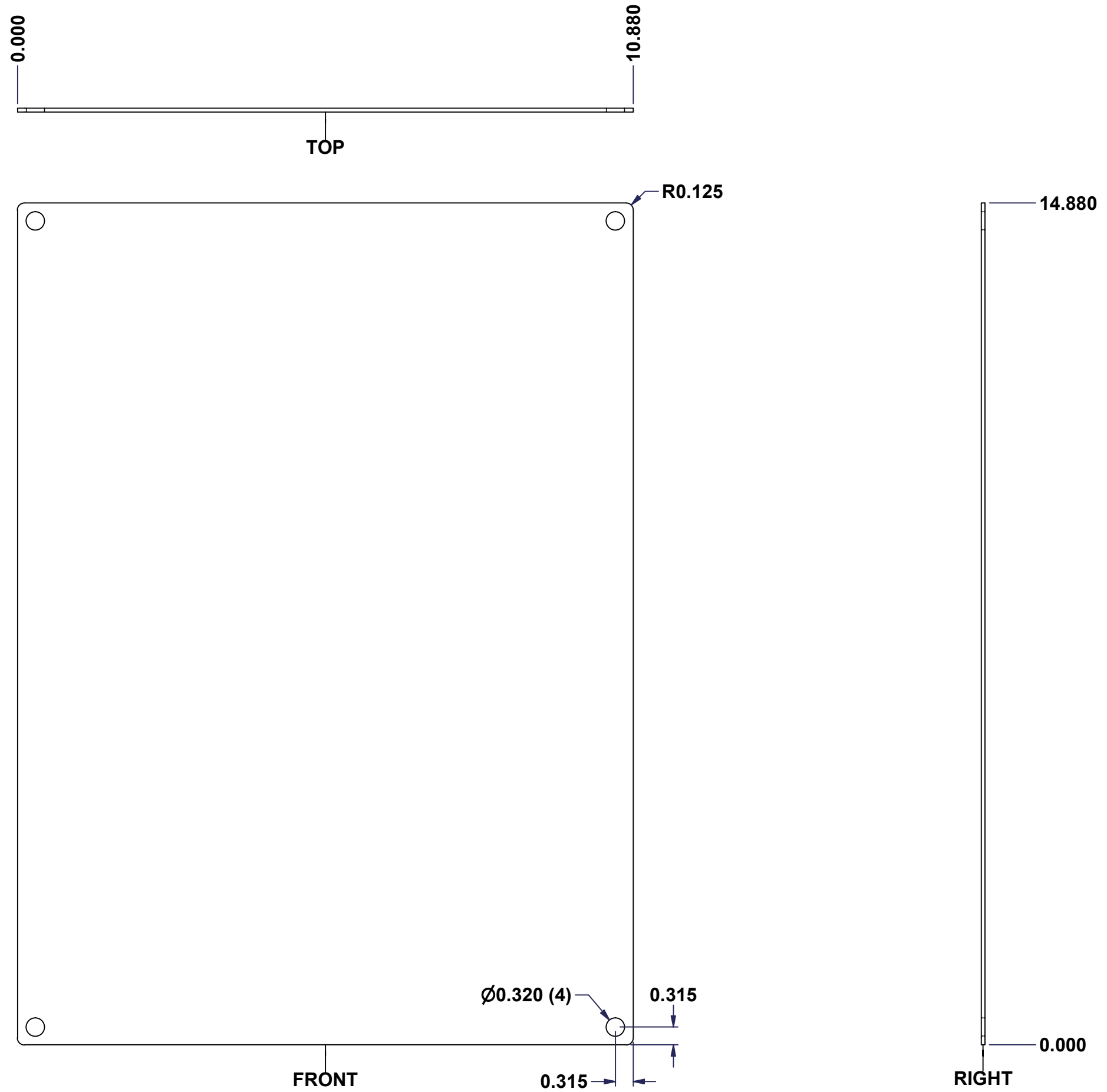
Isometric View

| | | |
|----------------------------------------------------------------------------------------------------------------------------------------------------------------------------------------|-----------------------------------|-----------------------------------------------------------------------------------------------------------------------------------------------|
|  Tél: (450) 979-4373 Fax: (450) 979-4626 www.exmweb.com | | Flatness Aplatissement Max 3.0mm Projection  |
| Customer Client | Date | |
| Drawn By Dessiné Par | BoxCad: BoxCad | Date 07-Mar-22 |
| Material Matière | 16 Ga Stainless Steel 316 (1.4mm) | |
| Color Couleur | Unpainted | Finish Fini Brushed |
| Description | | Detail Rev. |
| 5412ESSCH 16" x 12" Cover | | |
| Part Number Numéro Pièce | Rev. | 9 |
| 5412ESSCH1612066C | 0 | 9 |

| Qty | Part Number | Rev | Description |
|------------|---------------------|-----|--------------------------------------------------------------|
| 1 | 5412ESSCH1612066G | 0 | 5412ESSCH 16" x 12" Gasket |
| 1 | STK-Q-08500 | 4 | Stainless Steel Standoff M6 x 10mm |
| 1 | STK-S-00100 | 0 | 3.5" x 2" Silver Milar Flexcon Sticker |
| 1 | 5412ESSCH1612066C-P | 0 | 5412ESSCH 16" x 12" Cover Part |
| 2 | STK-A-33038 | 3 | 5412 ESSMCH - Stainless Steel Hinge |
| 2 | 880SCQ3S | 4 | 5412 ESSMCH - Stainless Steel External Lock Assy - Slot Lock |
| Parts List | | | |

This drawing is confidential and must not be reproduced or used without the consent of EXM

Ce dessin est confidentiel et ne doit pas être reproduit ou utilisé sans le consentement de EXM



| No. | Revisions | Date | By/Par |
|-----|-----------|------|--------|
| | | | |
| | | | |
| | | | |
| | | | |
| | | | |

Isometric View

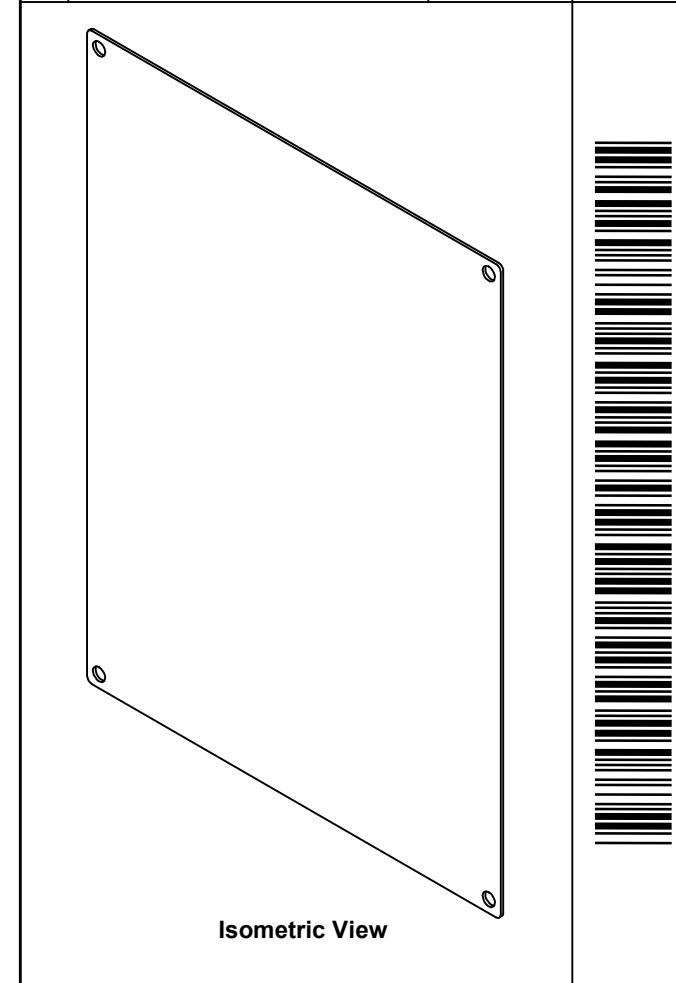
| | | |
|--------------------------------------------------------------|---------------------------|---------------------------|
| Tél: (450) 979-4373 Fax: (450) 979-4626 www.exmweb.com | | Flatness Aplatissement |
| | | Max 3.0mm |
| Projection | | |
| Customer Client | | Date |
| Drawn By Dessiné Par | BoxCad | Date 23-Jan-07 |
| Material Matière | 14 Ga Galvanized (1.7mm) | |
| Color Couleur | Unpainted | Finish Fini Galvanized |
| Description | Detail Rev. | |
| | 880 SP1612G - Inner Panel | |
| Part Number Numéro Pièce | Rev. | |
| 880 SP1612G | 0 | 1 2 |

SEE BILL OF MATERIAL ON LAST PAGE

This drawing is confidential and must not be reproduced or used without the consent of EXM

Ce dessin est confidentiel et ne doit pas être reproduit ou utilisé sans le consentement de EXM

| No. | Revisions | Date | By/Par |
|-----|-----------|------|--------|
| | | | |
| | | | |
| | | | |
| | | | |
| | | | |



| | |
|----------------------------------------------------------------------------------------------------------------------------------------------------|---------------------------------------------------------------------------------------|
|  Tél: (450) 979-4373 Fax: (450) 979-4626 www.exmweb.com | Flatness Aplatissement |
| | Max 3.0mm |
| | Projection |
| |  |

| | |
|--------------------------------|-----------------|
| Customer Client | Date |
| Drawn By / Dessiné Par: BoxCad | Date: 23-Jan-07 |

Material / Matière: 14 Ga Galvanized (1.7mm)

| | |
|----------------------------|---------------------------|
| Color / Couleur: Unpainted | Finish / Fini: Galvanized |
|----------------------------|---------------------------|

| | |
|----------------------------------------|-------------|
| Description: 880 SP1612G - Inner Panel | Detail Rev. |
|----------------------------------------|-------------|

| Qty | Part Number | Rev | Description |
|------------|---------------|-----|--------------------------------|
| 1 | 880 SP1612G-P | 0 | 880 SP1612G - Inner Panel Part |
| Parts List | | | |

| | | |
|------------------------------------------------|------------------------|---|
| Part Number / Numéro Pièce: 880 SP1612G | Rev. / Révis: 0 | 2 |
| | | 2 |