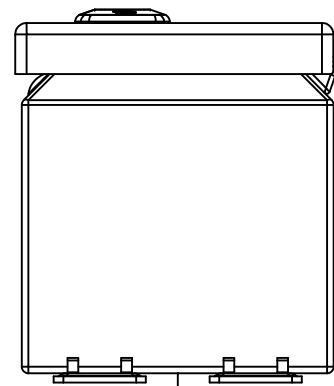
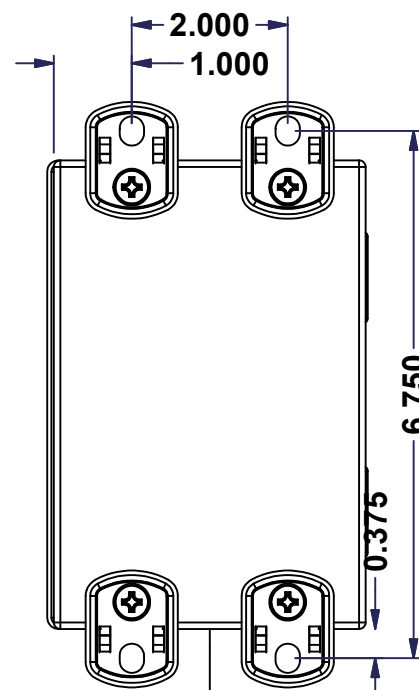


This drawing is confidential and must not be reproduced or used without the consent of EXM

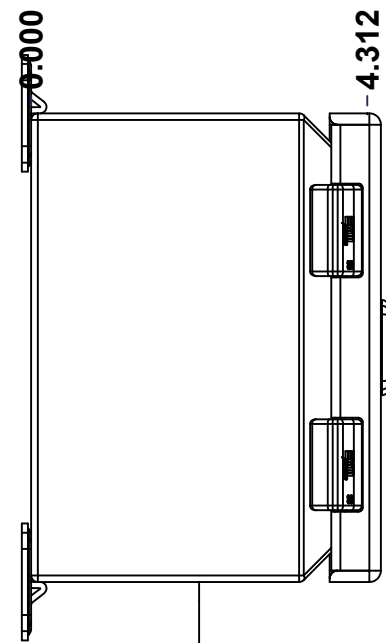
Ce dessin est confidentiel et ne doit pas être reproduit ou utilisé sans le consentement de EXM



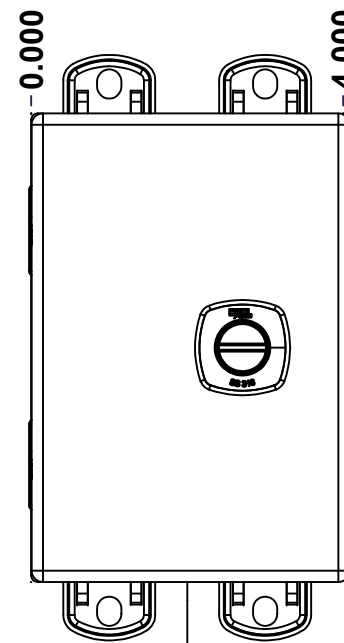
TOP



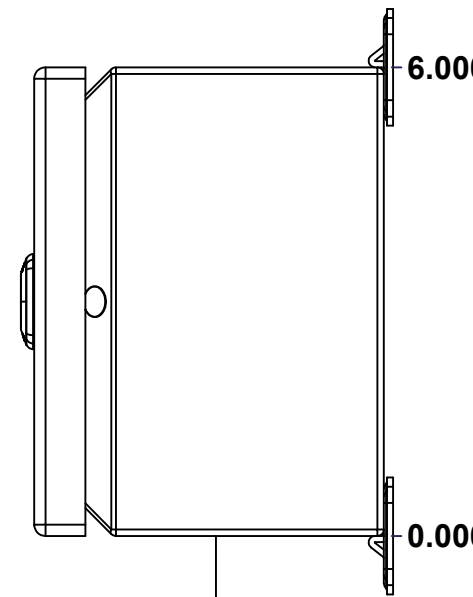
BACK



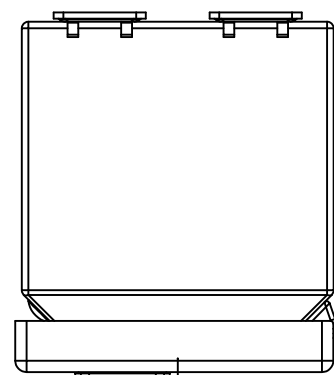
LEFT



FRONT

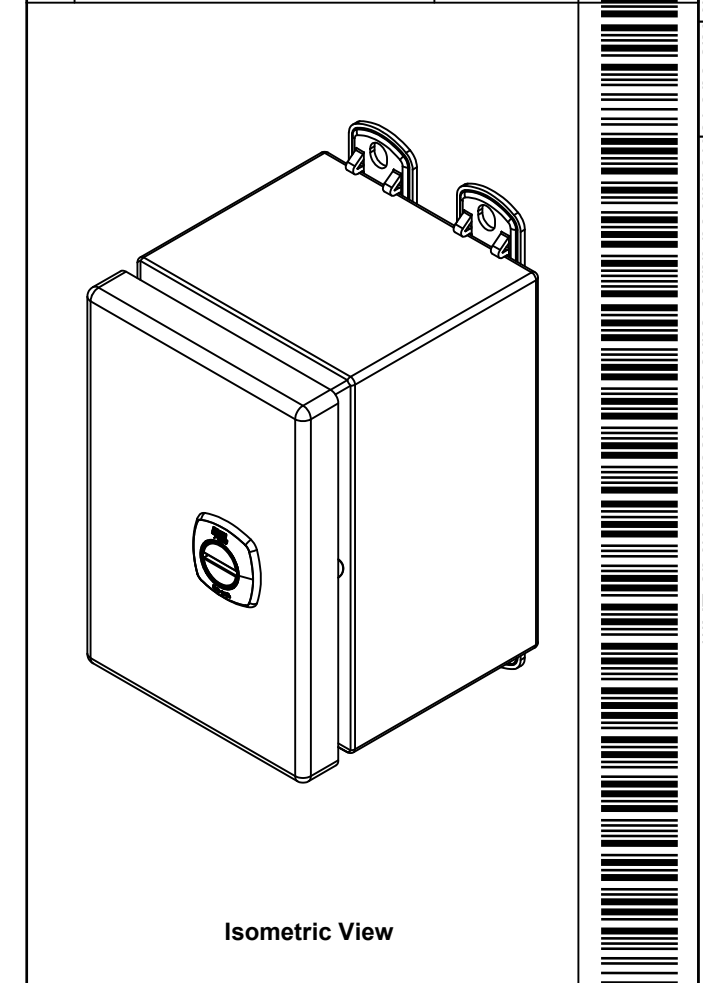


RIGHT



BOTTOM

| No. | Revisions | Date | By/Par |
|-----|-----------|------|--------|
| | | | |
| | | | |
| | | | |
| | | | |
| | | | |



Isometric View

**GRAIN DIRECTION:
TOP/BOTTOM: HORIZONTAL
LEFT/RIGHT/BACK/FRONT: VERTICAL**

| | | | | |
|---|--|--|--|--|
| | | Tél: (450) 979-4373 Fax: (450) 979-4626 www.exmweb.com | | Flatness Aplatissement Max 3.0mm |
| Customer Client | | Date | | |
| Drawn By Dessiné Par BoxCad: BoxCad | | Date 09-Nov-21 | | |
| Material Matière 16 Ga Stainless Steel 316 (1.4mm) | | Color Couleur Unpainted | | |
| Description 5412ESSM 6" x 4" x 4" Assembly | | Finish Fini Brushed | | |
| Part Number Numéro Pièce 5412ESSM0604046NOIP | | Detail Rev. | | Rev. 1 0 |

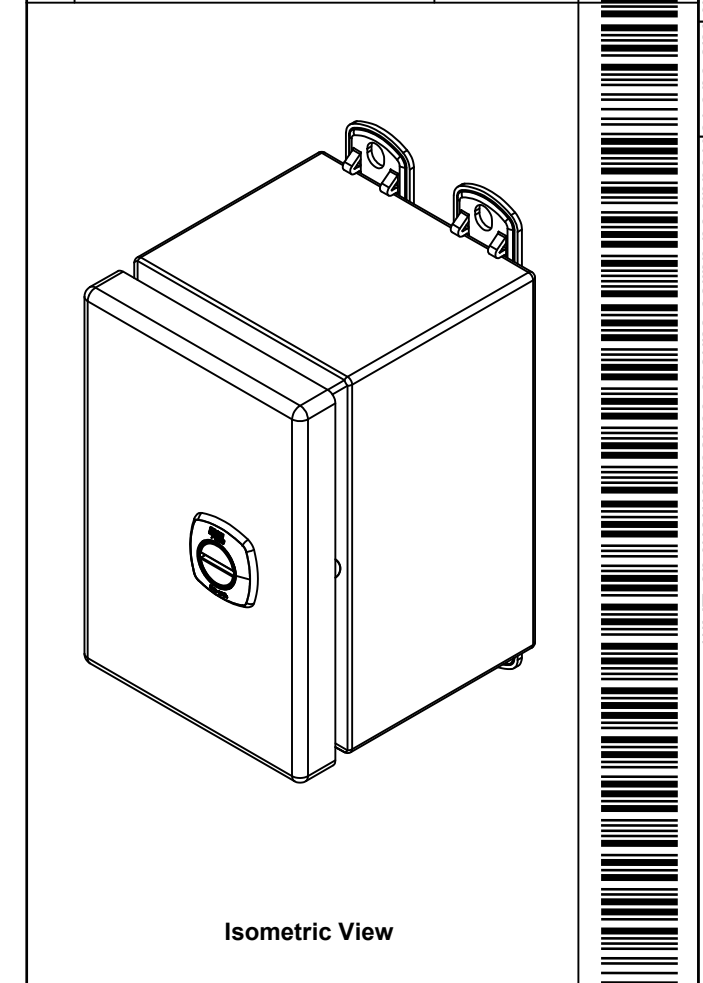
SEE BILL OF MATERIAL ON LAST PAGE

This drawing is confidential and must not be reproduced or used without the consent of EXM

Ce dessin est confidentiel et ne doit pas être reproduit ou utilisé sans le consentement de EXM

| NOTE | |
|------|--|
| ITEM | DESCRIPTION |
| 1 | NEMA 4X Enclosure |
| 2 | C/W Standard ground standoffs on box and cover |
| 3 | W/O Standard door stiffener |
| 4 | W/O Inner panel |
| 5 | C/W Standard inner panel mounting standoffs |
| 6 | C/W 885 ESCHMF2 Mounting Feet (Installed) |

| No. | Revisions | Date | By/Par |
|-----|-----------|------|--------|
| | | | |
| | | | |
| | | | |
| | | | |
| | | | |
| | | | |
| | | | |



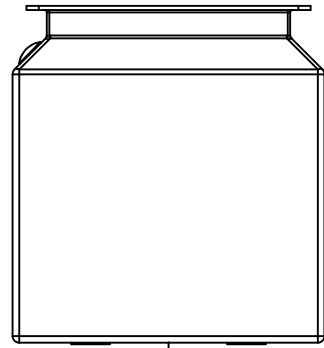
| | | |
|--|-----------------------------------|--|
| | | Flatness Aplatissement Max 3.0mm Projection |
| Tél: (450) 979-4373 Fax: (450) 979-4626 www.exmweb.com | | Date Date 09-Nov-21 |
| Customer Client | BoxCad: BoxCad | Date 09-Nov-21 |
| Material Matière | 16 Ga Stainless Steel 316 (1.4mm) | |
| Color Couleur | Unpainted | Finish Fini Brushed |
| Description | 5412ESSM 6" x 4" x 4" Assembly | |
| Part Number Numéro Pièce | 5412ESSM0604046NOIP | Rev. 0 |

| PACKING | | |
|-----------------|-----|--|
| ITEM | QTY | DESCRIPTION |
| STK-E-04302 | 1 | CARTON 5412 ESCH060404 |
| Plastic bag | 1 | To protect cover surface and inside gasket |
| Packaging label | 1 | White label with product number |
| STK-S-01100 | 1 | ESCH EXM SQUARE STICKER |

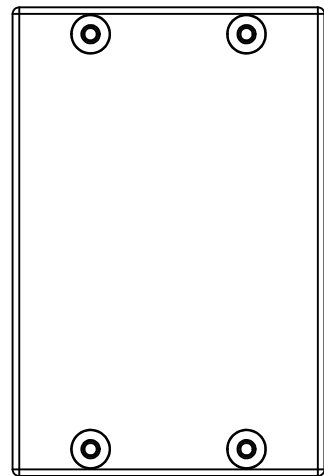
| Qty | Part Number | Rev | Description |
|------------|-----------------------|-----|--|
| 1 | 5412ESSM0604046NOIP C | 0 | 5412ESSM 6" x 4" Cover |
| 1 | STK-K-02910 | 3 | 5412 ESCH Accessory Kit |
| 1 | 885 ESSCHMFQ | 0 | 5412 ESSCH Mounting Feet Accessory Kit |
| 1 | 5412ESSM0604046NOIP B | 0 | 5412ESSM 6" x 4" x 4" Body |
| 2 | STK-Q-08100 | 1 | M5 Nylon Insert Lock Nut |
| Parts List | | | |

This drawing is confidential and must not be reproduced or used without the consent of EXM

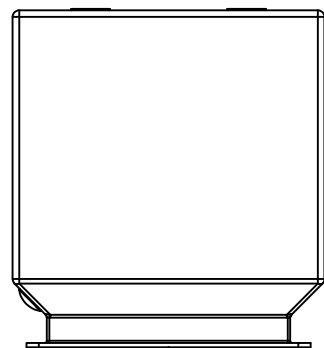
Ce dessin est confidentiel et ne doit pas être reproduit ou utilisé sans le consentement de EXM



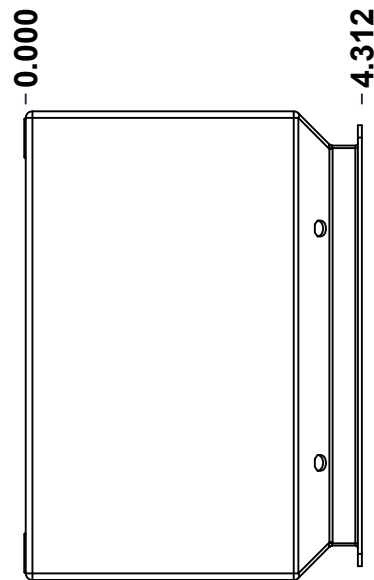
TOP



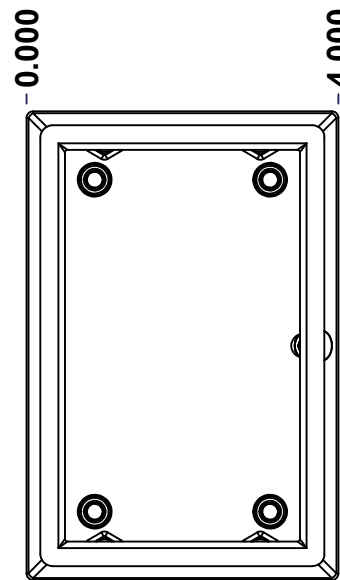
BACK



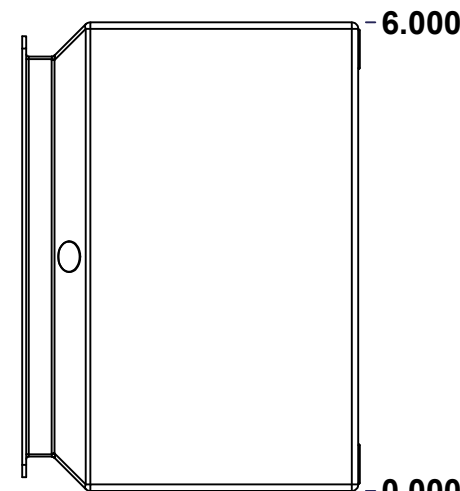
BOTTOM



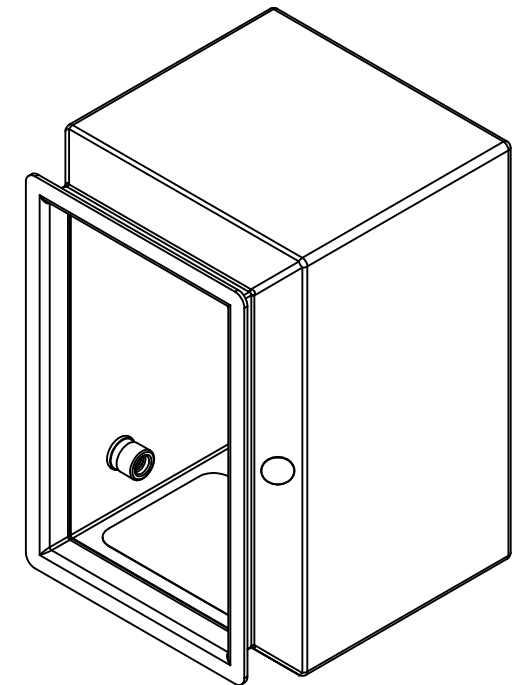
LEFT



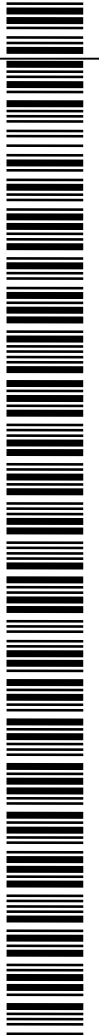
FRONT



RIGHT



Isometric View

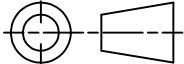


Tél: (450) 979-4373
Fax: (450) 979-4626
www.exmweb.com

Flatness
Aplatisse

Max 3.0mm

Projection



| | |
|--|-----------------|
| Customer Client | Date |
| Drawn By / Dessiné Par: BoxCad: BoxCad | Date: 09-Nov-21 |

Material / Matière: 16 Ga Stainless Steel 316 (1.4mm)

Color / Couleur: Unpainted Finish / Fini: Brushed

Description: 5412ESSM 6" x 4" x 4" Body Detail Rev.

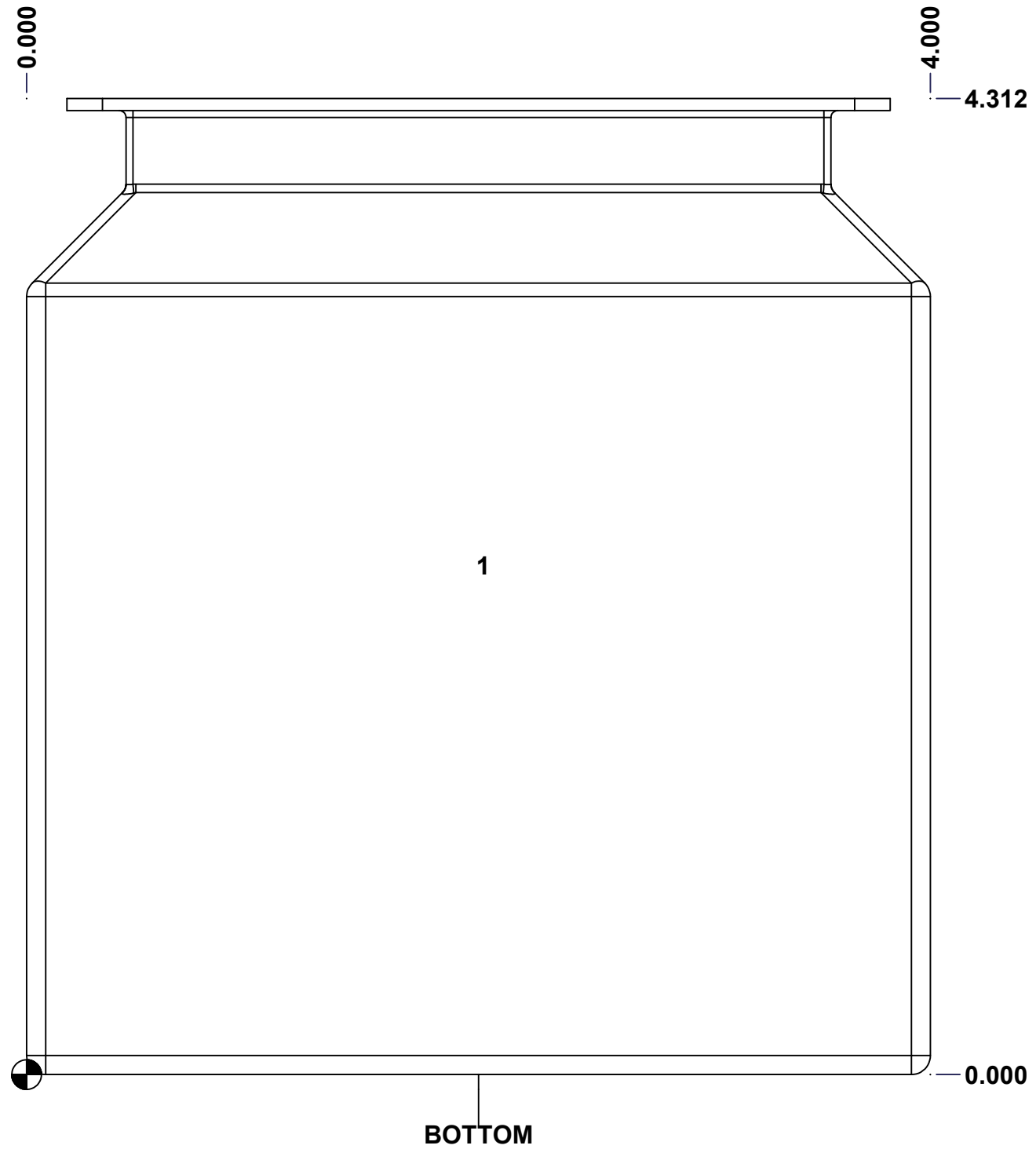
| | | |
|--|--------|-------|
| Part Number / Numéro Pièce: 5412ESSM0604046NOIPB | Rev. 0 | 1 / 7 |
|--|--------|-------|

SEE BILL OF MATERIAL ON LAST PAGE

This drawing is confidential and must not be reproduced or used without the consent of EXM

Ce dessin est confidentiel et ne doit pas être reproduit ou utilisé sans le consentement de EXM

| STANDARD FEATURES ARE NOT LISTED IN THIS HOLE TABLE | | | |
|--|-------|-------|-------------|
| HOLE TABLE - BOTTOM VIEW (CUSTOM FEATURE ONLY) | | | |
| CUT-OUT | XDIM | YDIM | DESCRIPTION |
| 1 | 2.000 | 2.250 | LABEL_EXM |



| | | | |
|--|-----------------------------|----------|-------|
| | Description | Status | |
| | 5412ESSM 6" x 4" x 4" Body | (NULL) | |
| | Part Number Numéro Pièce | Rev. | |
| | 5412ESSM0604046NOIPB | 0 | 4 / 7 |

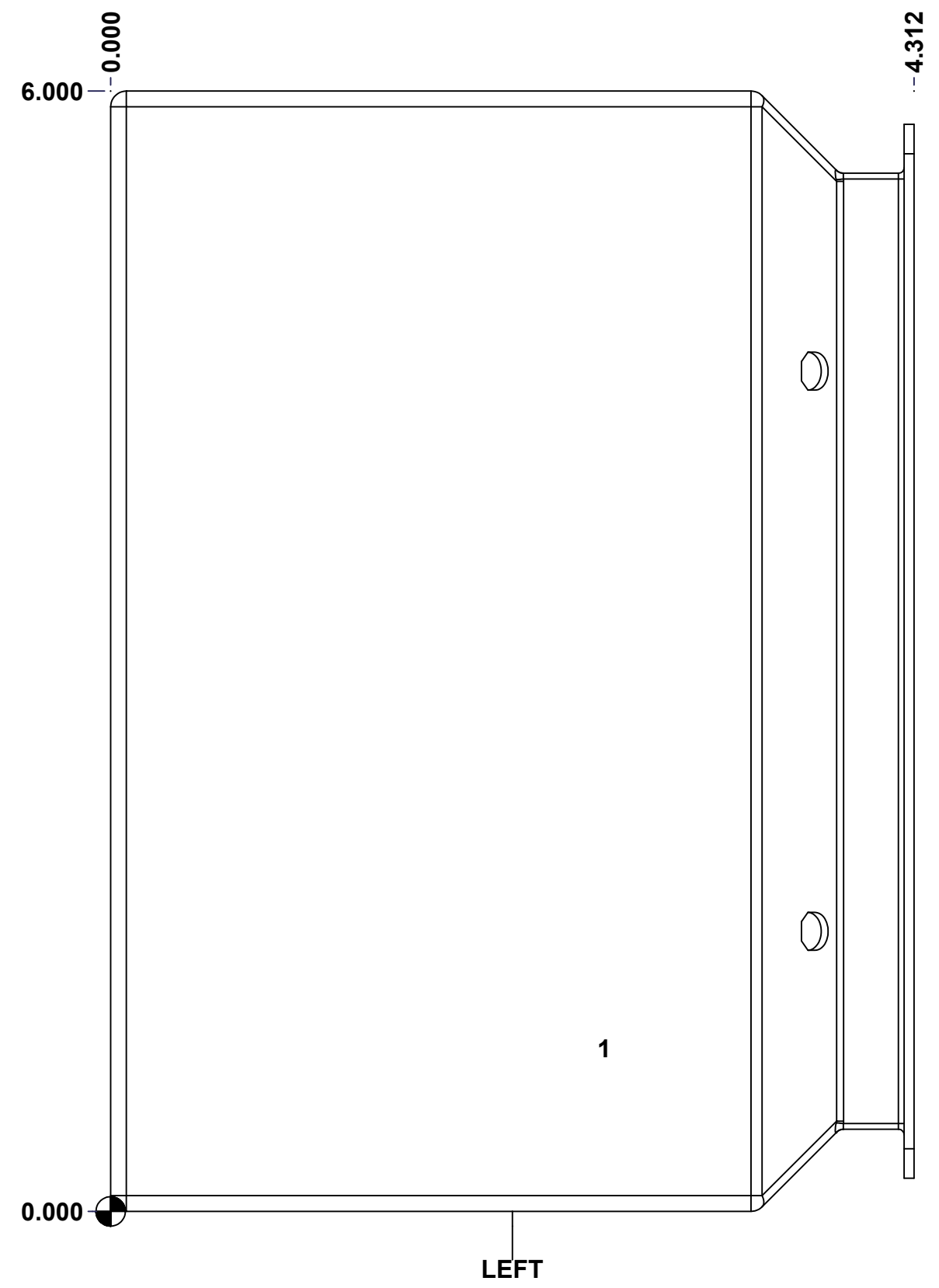
This drawing is confidential and must not be reproduced or used without the consent of EXM

Ce dessin est confidentiel et ne doit pas être reproduit ou utilisé sans le consentement de EXM

STANDARD FEATURES ARE NOT LISTED IN THIS HOLE TABLE

HOLE TABLE - LEFT VIEW (CUSTOM FEATURE ONLY)

| CUT-OUT | XDIM | YDIM | DESCRIPTION |
|---------|-------|-------|-----------------------------|
| 1 | 2.625 | 0.875 | STANDOFF M6 x 10mm (Inside) |



| | | | | |
|-----------------------------|----------------------------|----------|--------|--|
| | Description | | Status | |
| | 5412ESSM 6" x 4" x 4" Body | | (NULL) | |
| Part Number Numéro Pièce | | Rev. | 5 | |
| 5412ESSM0604046NOIPB | | 0 | 7 | |

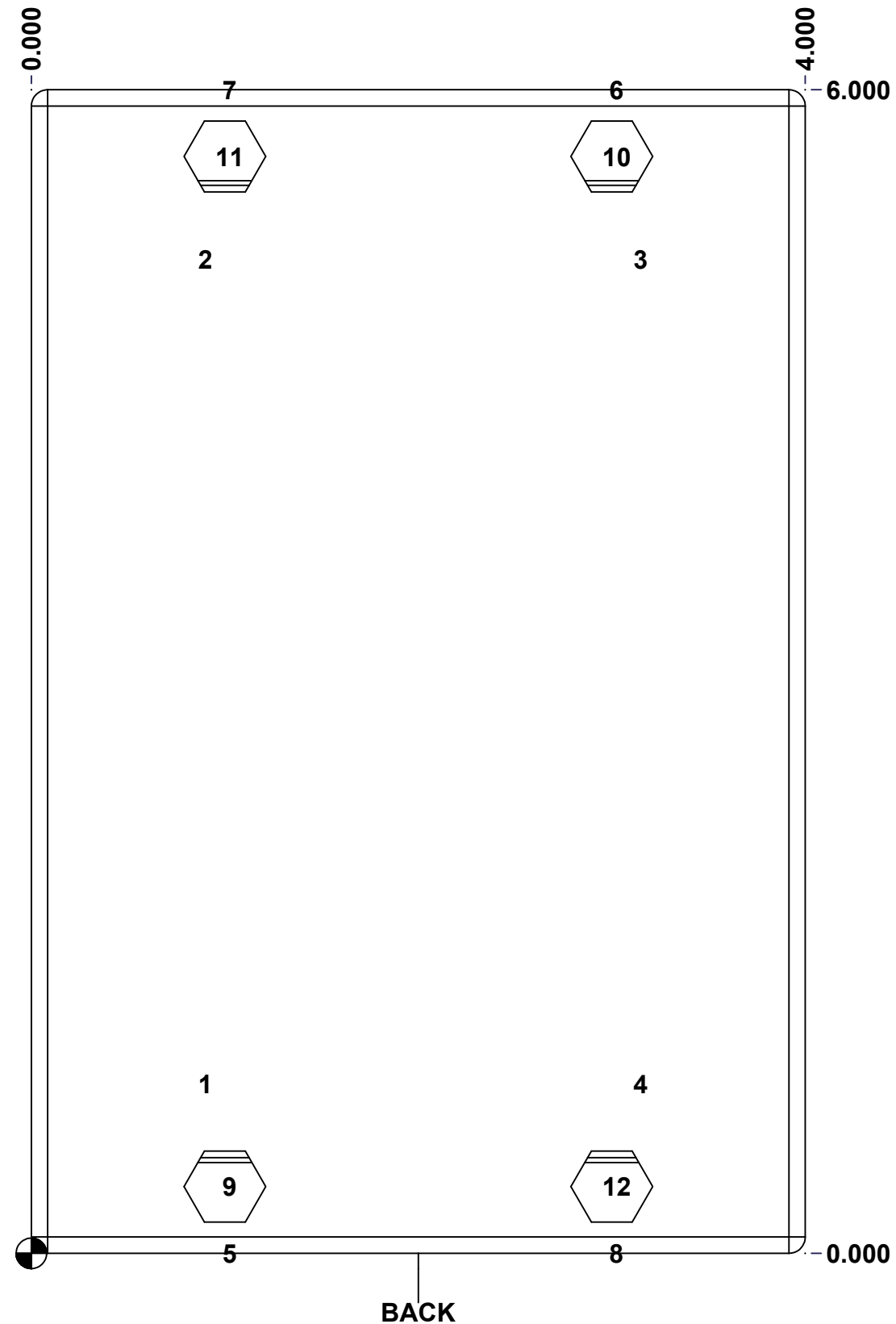
This drawing is confidential and must not be reproduced or used without the consent of EXM

Ce dessin est confidentiel et ne doit pas être reproduit ou utilisé sans le consentement de EXM

STANDARD FEATURES ARE NOT LISTED IN THIS HOLE TABLE

HOLE TABLE - BACK VIEW (CUSTOM FEATURE ONLY)

| CUT-OUT | XDIM | YDIM | DESCRIPTION |
|---------|-------|-------|--------------------------------|
| 1 | 0.875 | 0.875 | IP STANDOFF M6 x 10mm (Inside) |
| 2 | 0.875 | 5.125 | IP STANDOFF M6 x 10mm (Inside) |
| 3 | 3.125 | 5.125 | IP STANDOFF M6 x 10mm (Inside) |
| 4 | 3.125 | 0.875 | IP STANDOFF M6 x 10mm (Inside) |
| ----- | | | |
| 5 | 1.000 | 0.000 | FOOT 885 ESCHMF2 |
| 6 | 3.000 | 6.000 | FOOT 885 ESCHMF2 |
| 7 | 1.000 | 6.000 | FOOT 885 ESCHMF2 |
| 8 | 3.000 | 0.000 | FOOT 885 ESCHMF2 |
| 9 | 1.000 | 0.344 | RIVET NUT M6_FH_CE (Inside) |
| 10 | 3.000 | 5.656 | RIVET NUT M6_FH_CE (Inside) |
| 11 | 1.000 | 5.656 | RIVET NUT M6_FH_CE (Inside) |
| 12 | 3.000 | 0.344 | RIVET NUT M6_FH_CE (Inside) |

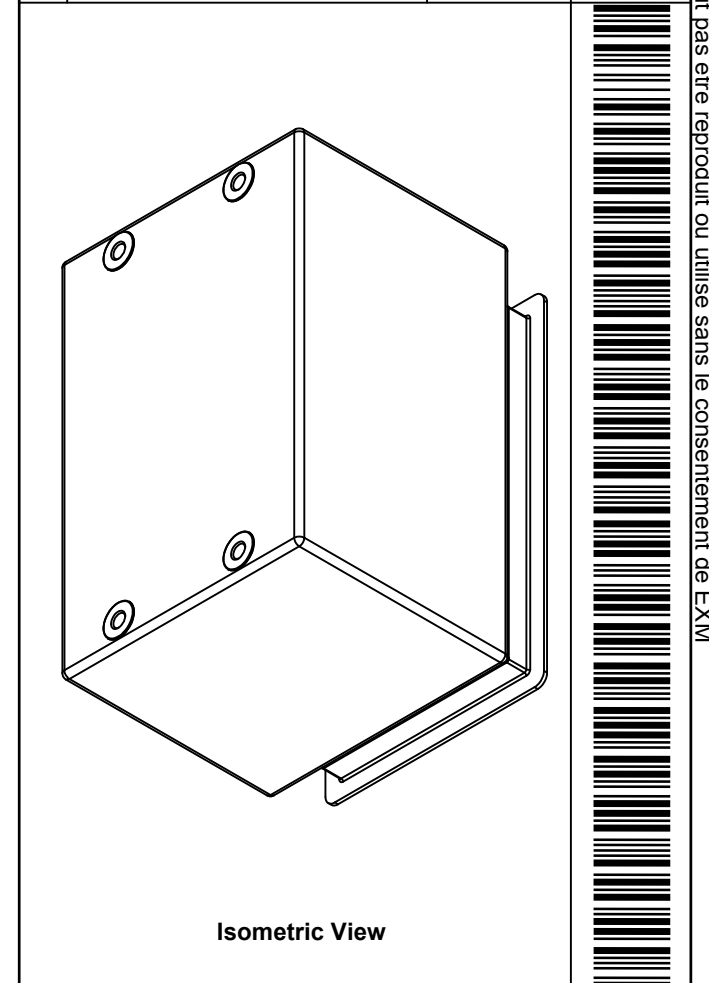




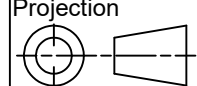
| | | |
|--|----------------------------|--------|
| | Description | Status |
| | 5412ESSM 6" x 4" x 4" Body | (NULL) |
| Part Number Numéro Pièce 5412ESSM0604046NOIPB | Rev. | 6 |
| | 0 | 7 |

This drawing is confidential and must not be reproduced or used without the consent of EXM

Ce dessin est confidentiel et ne doit pas être reproduit ou utilisé sans le consentement de EXM

| No. | Revisions | Date | By/Par |
|-----|-----------|------|--------|
| | | | |
| | | | |
| | | | |
| | | | |
| | | | |

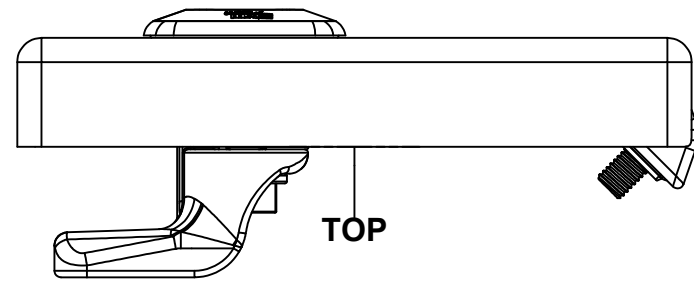


| | | |
|--|--|--|
|  Tél: (450) 979-4373 Fax: (450) 979-4626 www.exmweb.com | | Flatness Aplatissement  Max 3.0mm |
| Customer Client Date | | Projection  |
| Drawn By / Dessiné Par: BoxCad: BoxCad Date: 09-Nov-21 | | Material / Matière: 16 Ga Stainless Steel 316 (1.4mm) |
| Color / Couleur: Unpainted Finish / Fini: Brushed | | Description: 5412ESSM 6" x 4" x 4" Body Detail Rev. |
| Part Number / Numéro Pièce: 5412ESSM0604046NOIPB Rev. 0 | | 7 / 7 |

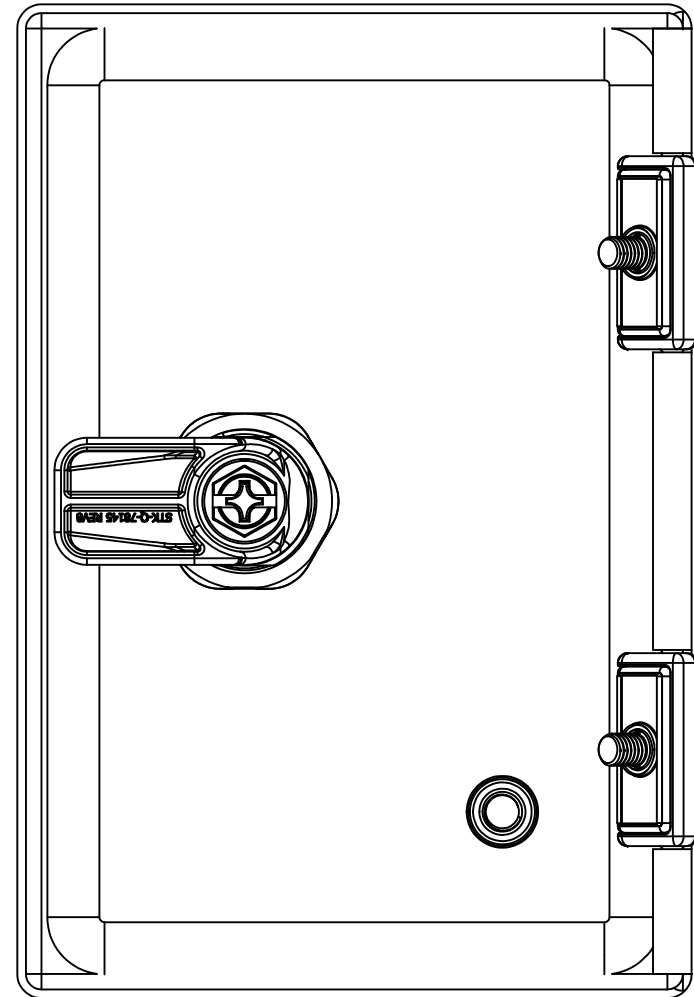
| Qty | Part Number | Rev | Description |
|------------|-------------------------|-----|--|
| 1 | STK-Q-08112 | 3 | M5 Stainless Steel 304 Nylon Insert Dome Nut |
| 4 | RIVET_NUT_SS_M6_FH_CE | 0 | Stainless Steel Rivet Nut M6 (Low Profile Close End) |
| 1 | STK-Q-00200 | 0 | M5 x 8mm Stainless Steel 316 Carriage Bolt with Nyseal |
| 1 | STK-S-00100 | 0 | 3.5" x 2" Silver Milar Flexcon Sticker |
| 1 | 5412ESSM0604046NOIP B-P | 0 | 5412ESSM 6" x 4" x 4" Body Part |
| 5 | STK-Q-08500 | 4 | Stainless Steel Standoff M6 x 10mm |
| Parts List | | | |

This drawing is confidential and must not be reproduced or used without the consent of EXM

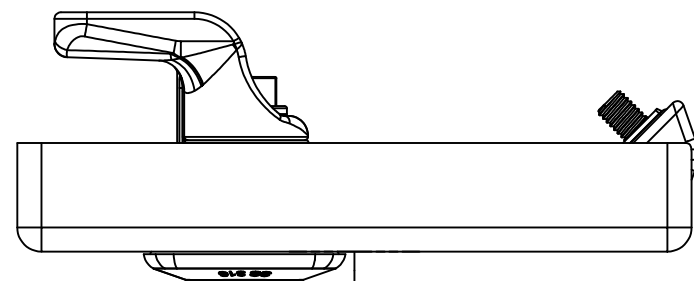
Ce dessin est confidentiel et ne doit pas être reproduit ou utilisé sans le consentement de EXM



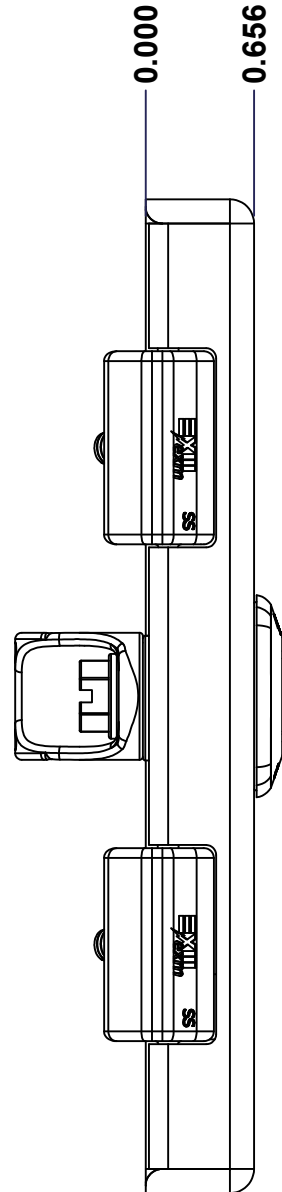
TOP



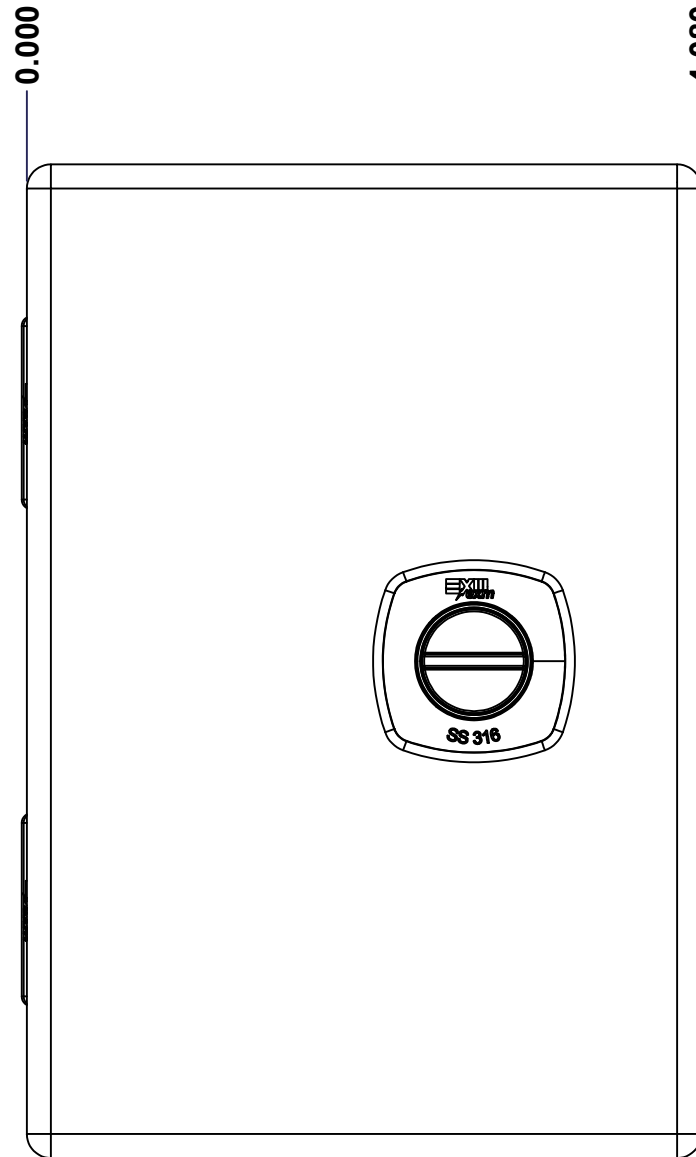
BACK



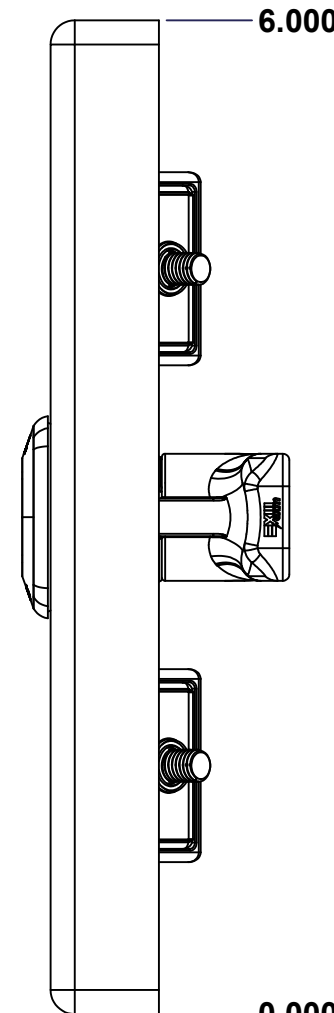
BOTTOM



LEFT

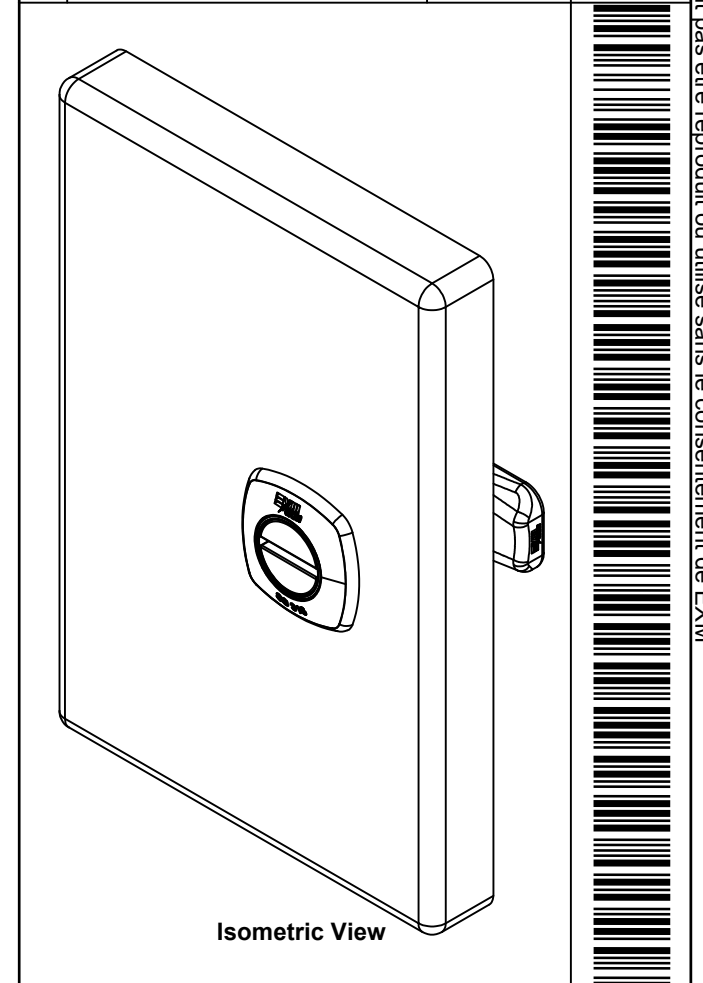


FRONT


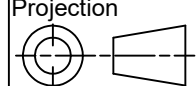


RIGHT

| No. | Revisions | Date | By/Par |
|-----|-----------|------|--------|
| | | | |
| | | | |
| | | | |
| | | | |
| | | | |



Isometric View

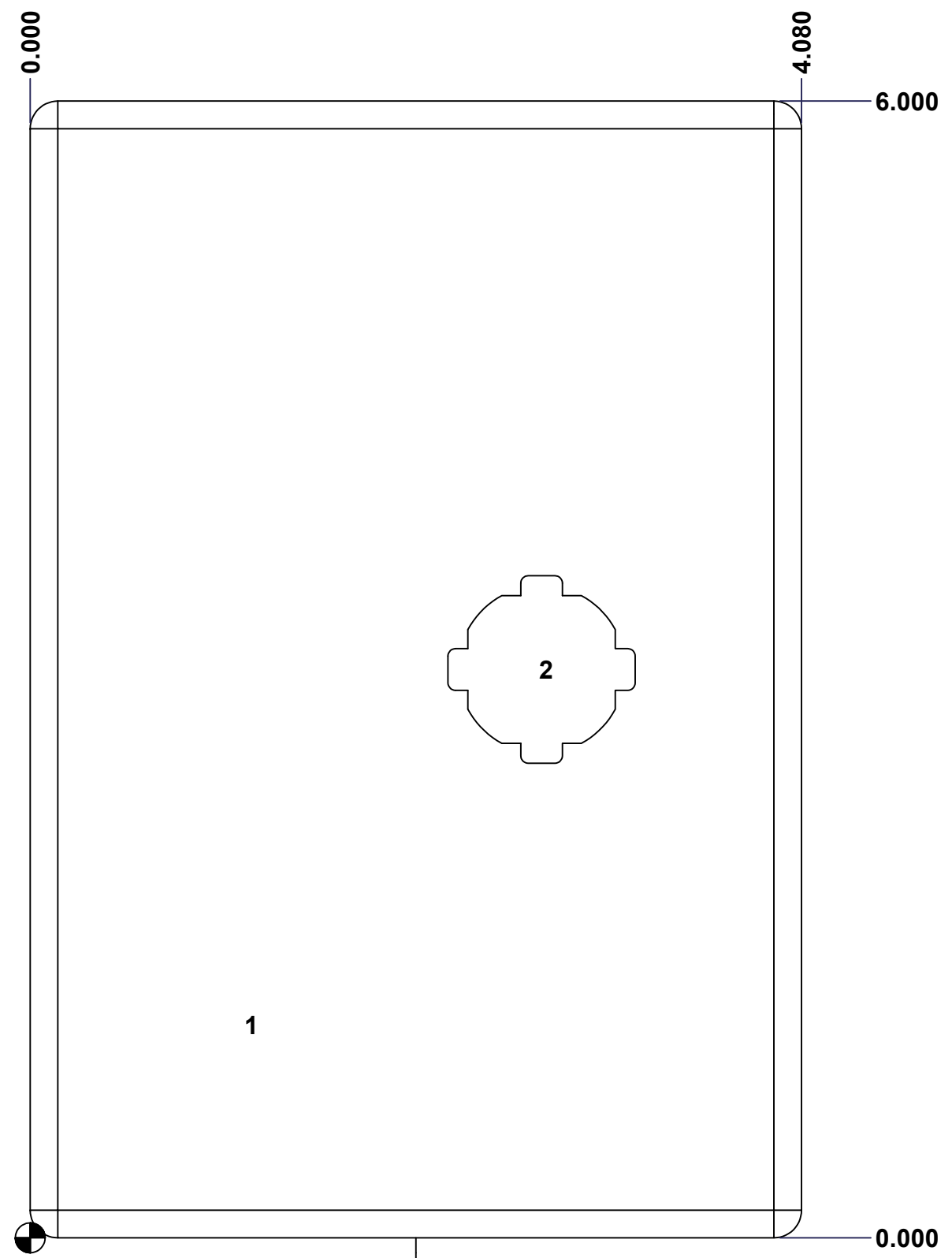
| | | |
|--|-----------------------------------|---|
|  Tél: (450) 979-4373 Fax: (450) 979-4626 www.exmweb.com | | Flatness Aplatissement Max 3.0mm Projection  |
| Customer Client | Date | |
| Drawn By Dessiné Par | BoxCad: BoxCad | Date 09-Nov-21 |
| Material Matière | 16 Ga Stainless Steel 316 (1.4mm) | |
| Color Couleur | Unpainted | Finish Fini Brushed |
| Description | Detail Rev. | |
| 5412ESSM 6" x 4" Cover | | |
| Part Number Numéro Pièce | Rev. 0 | 1 / 3 |
| 5412ESSM0604046NOIPC | | |

SEE BILL OF MATERIAL ON LAST PAGE

This drawing is confidential and must not be reproduced or used without the consent of EXM

Ce dessin est confidentiel et ne doit pas être reproduit ou utilisé sans le consentement de EXM

| STANDARD FEATURES ARE NOT LISTED IN THIS HOLE TABLE | | | |
|---|-------|-------|-----------------------------|
| HOLE TABLE - FRONT VIEW (CUSTOM FEATURE ONLY) | | | |
| CUT-OUT | XDIM | YDIM | DESCRIPTION |
| 1 | 1.145 | 1.125 | STANDOFF M6 x 10mm (Inside) |
| 2 | 2.705 | 3.000 | LOCK 880 SCQ4-SLSS6 @ 0.0° |



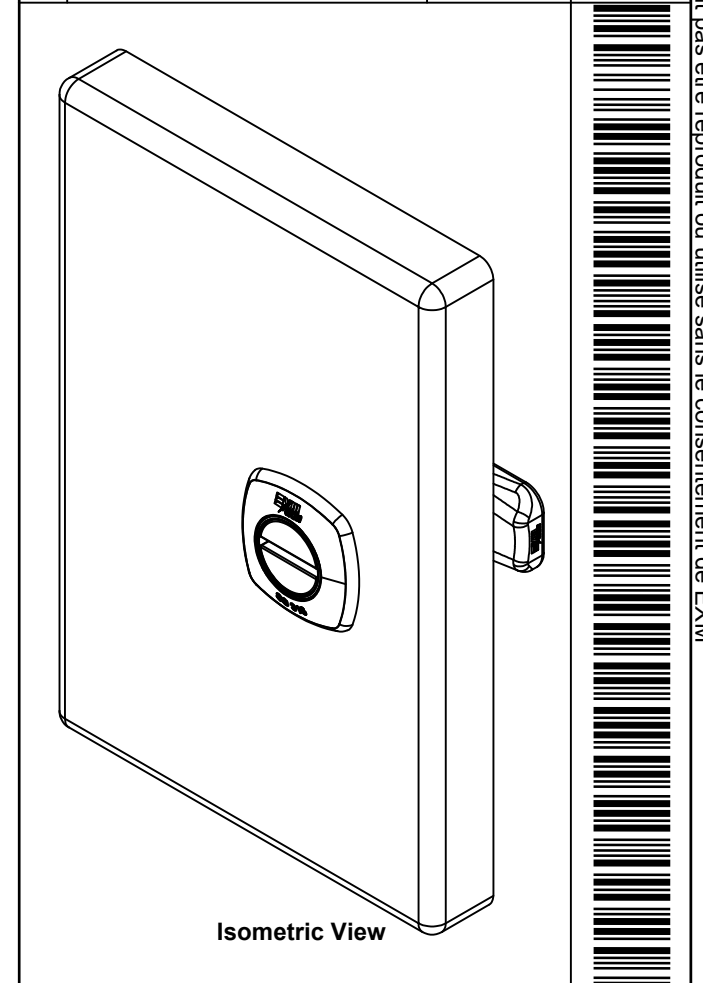
FRONT



| | | |
|--|-----------------------------|----------|
| | Description | Status |
| | 5412ESSM 6" x 4" Cover | (NULL) |
| | Part Number Numéro Pièce | Rev. |
| | 5412ESSM0604046NOIPC | 0 |
| | | 2 |
| | | 3 |

This drawing is confidential and must not be reproduced or used without the consent of EXM

Ce dessin est confidentiel et ne doit pas être reproduit ou utilisé sans le consentement de EXM

| No. | Revisions | Date | By/Par |
|-----|-----------|------|--------|
| | | | |
| | | | |
| | | | |
| | | | |
| | | | |



| | | |
|--|--|--|
|  Tél: (450) 979-4373 Fax: (450) 979-4626 www.exmweb.com | | Flatness Aplatissement  Max 3.0mm |
| Customer Client | | Date |
| Drawn By / Dessiné Par: BoxCad: BoxCad | | Date: 09-Nov-21 |
| Material / Matière: 16 Ga Stainless Steel 316 (1.4mm) | | |
| Color / Couleur: Unpainted | | Finish / Fini: Brushed |
| Description: 5412ESSM 6" x 4" Cover | | Detail Rev. |
| Part Number / Numéro Pièce: 5412ESSM0604046NOIPC | | Rev. 3 |

| Qty | Part Number | Rev | Description |
|------------|-------------------------|-----|-------------------------------------|
| 1 | 5412ESSM0604046NOIP G | 0 | 5412ESSM 6" x 4" Gasket |
| 1 | 880 SCQ4-SLSS6 | 7 | 5412 ESS 1/4 Turn Lock |
| 1 | STK-Q-08500 | 4 | Stainless Steel Standoff M6 x 10mm |
| 1 | 5412ESSM0604046NOIP C-P | 0 | 5412ESSM 6" x 4" Cover Part |
| 2 | STK-A-33038 | 3 | 5412 ESSMCH - Stainless Steel Hinge |
| Parts List | | | |