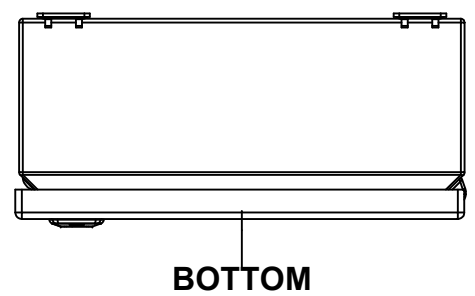
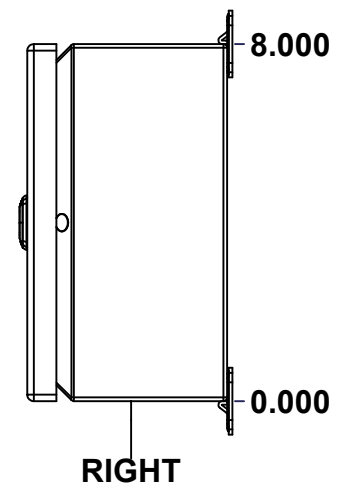
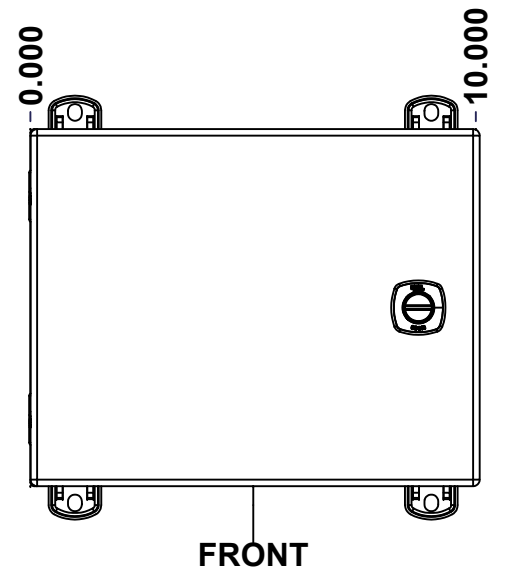
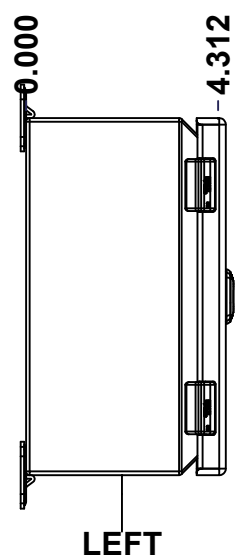
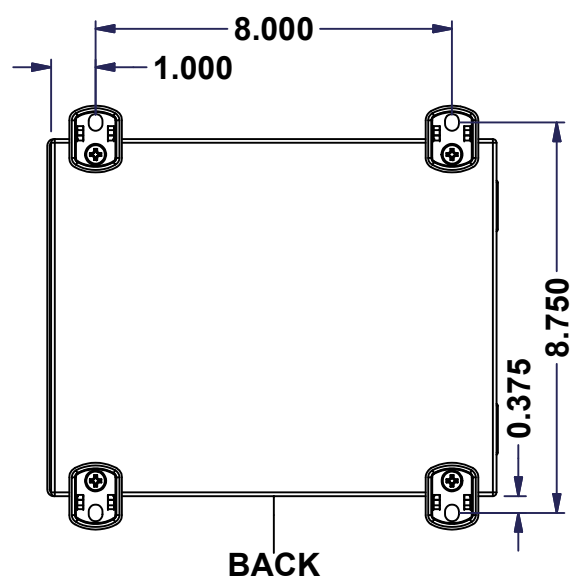
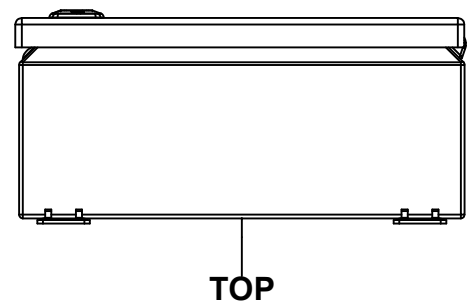
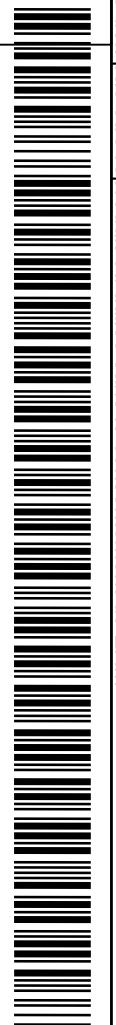
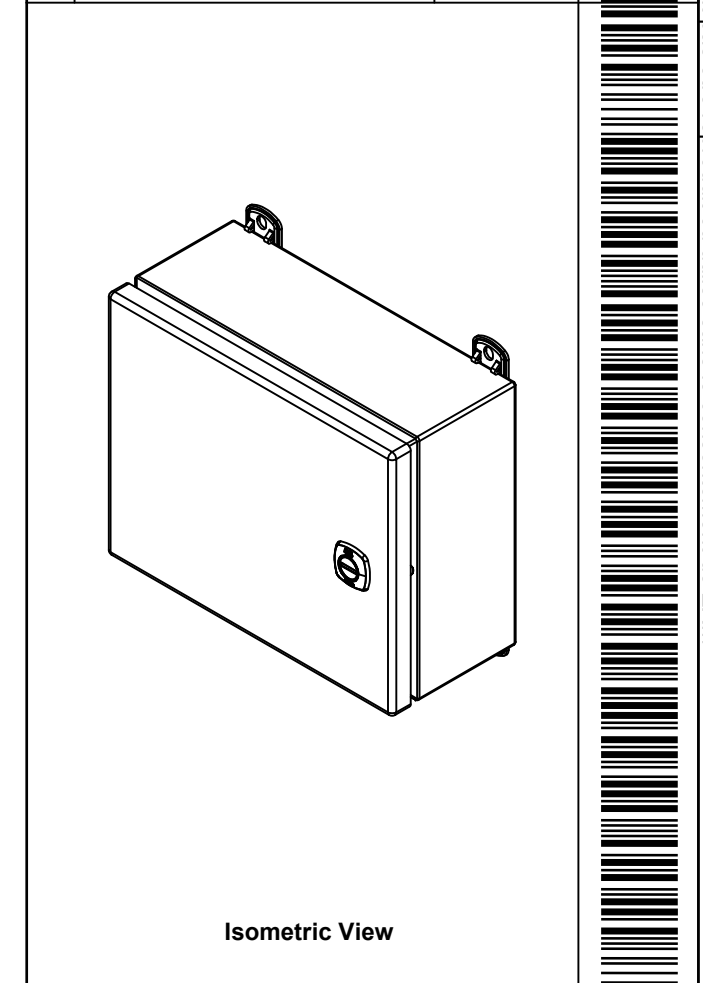


This drawing is confidential and must not be reproduced or used without the consent of EXM

Ce dessin est confidentiel et ne doit pas être reproduit ou utilisé sans le consentement de EXM



No.	Revisions	Date	By/Par



**GRAIN DIRECTION:
TOP/BOTTOM: HORIZONTAL
LEFT/RIGHT/BACK/Front: VERTICAL**

Tél: (450) 979-4373 Fax: (450) 979-4626 www.exmweb.com		Flatness Aplatissement Max 3.0mm Projection
Customer Client	Date	Date
Drawn By Dessiné Par	BoxCad: BoxCad	Date 10-Nov-21
Material Matière	16 Ga Stainless Steel 316 (1.4mm)	
Color Couleur	Unpainted	Finish Fini Brushed
Description	5412ESSM 8" x 10" x 4" Assembly	
Part Number Numéro Pièce	Rev. 0	1 2

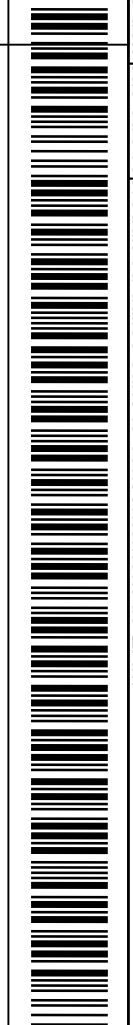
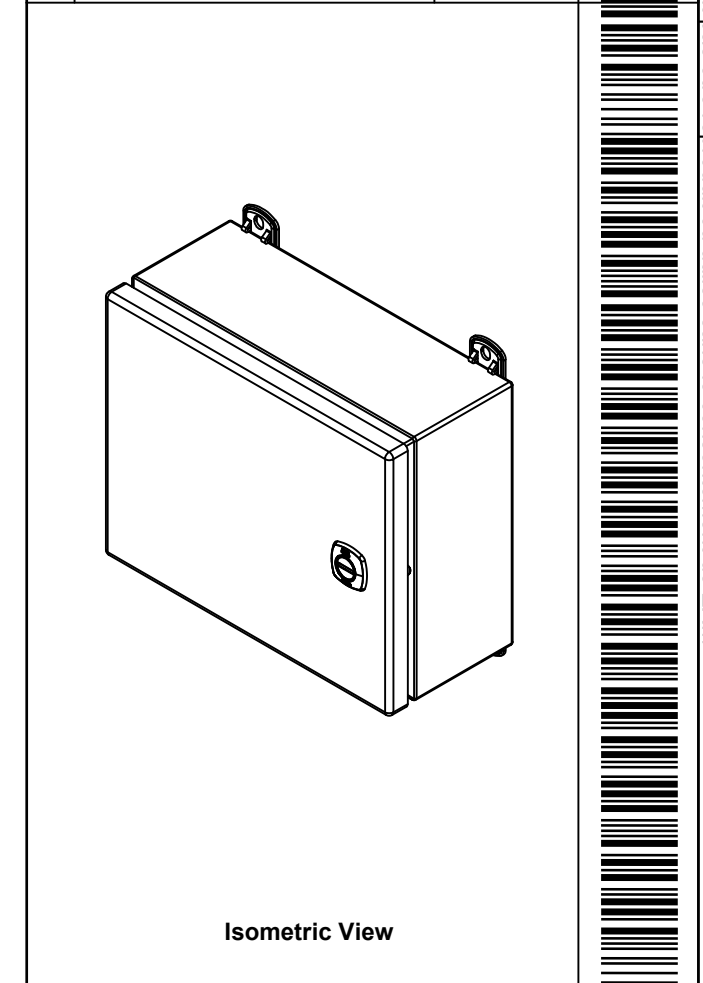
SEE BILL OF MATERIAL ON LAST PAGE


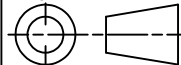
This drawing is confidential and must not be reproduced or used without the consent of EXM

Ce dessin est confidentiel et ne doit pas être reproduit ou utilisé sans le consentement de EXM

NOTE	
ITEM	DESCRIPTION
1	NEMA 4X Enclosure
2	C/W Standard ground standoffs on box and cover
3	W/O Standard door stiffener
4	W/O Inner panel
5	C/W Standard inner panel mounting standoffs
6	C/W 885 ESCHMF2 Mounting Feet (Installed)

No.	Revisions	Date	By/Par



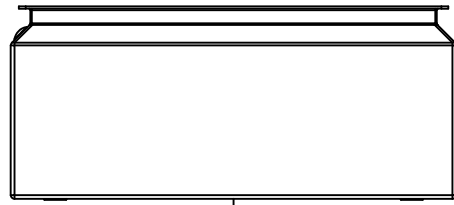
 Tél: (450) 979-4373 Fax: (450) 979-4626 www.exmweb.com		Flatness Aplatissement Max 3.0mm Projection 
Customer Client	Date	
Drawn By Dessiné Par	BoxCad: BoxCad	Date 10-Nov-21
Material Matière	16 Ga Stainless Steel 316 (1.4mm)	
Color Couleur	Unpainted	Finish Fini Brushed
Description	Detail Rev.	
5412ESSM 8" x 10" x 4" Assembly		
Part Number Numéro Pièce	Rev. 0	2 / 2

Qty	Part Number	Rev	Description
1	5412ESSM0810046NOIP C	0	5412ESSM 8" x 10" Cover
1	STK-K-02910	3	5412 ESCH Accessory Kit
1	885 ESSCHMFQ	0	5412 ESSCH Mounting Feet Accessory Kit
1	5412ESSM0810046NOIP B	0	5412ESSM 8" x 10" x 4" Body
2	STK-Q-08100	1	M5 Nylon Insert Lock Nut
Parts List			

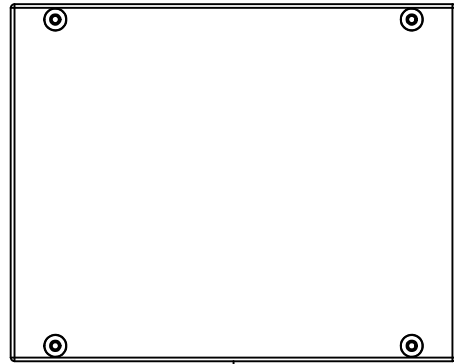
PACKING		
ITEM	QTY	DESCRIPTION
STK-E-04309	1	CARTON 5412 ESCH081004
Plastic bag	1	To protect cover surface and inside gasket
Packaging label	1	White label with product number
STK-S-01100	1	ESCH EXM SQUARE STICKER

This drawing is confidential and must not be reproduced or used without the consent of EXM

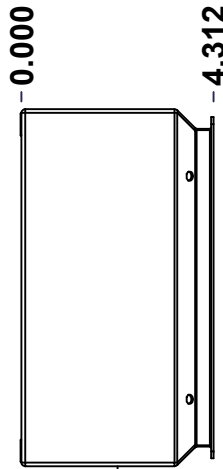
Ce dessin est confidentiel et ne doit pas être reproduit ou utilisé sans le consentement de EXM



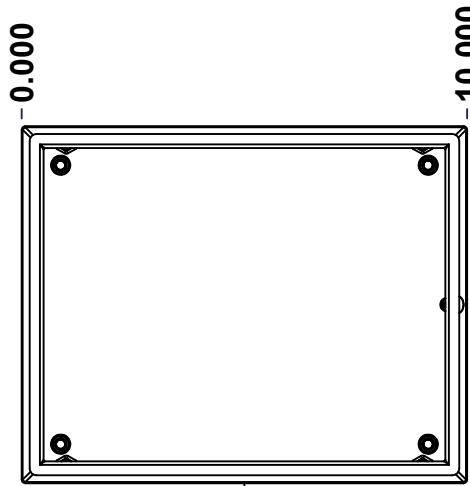
TOP



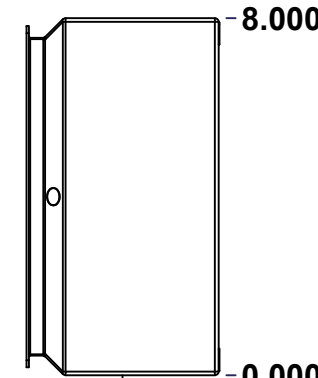
BACK



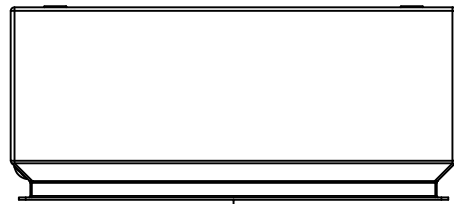
LEFT



FRONT

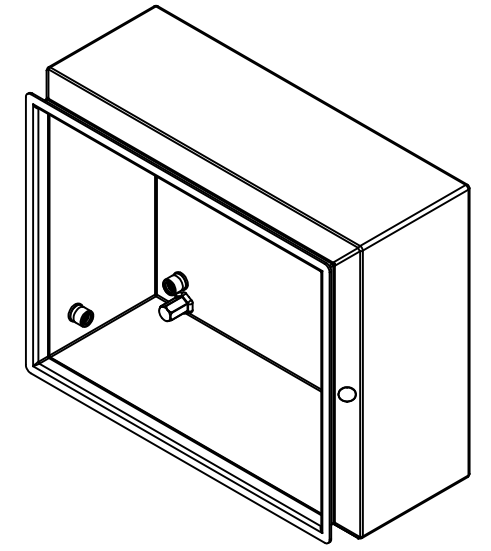


RIGHT



BOTTOM

No.	Revisions	Date	By/Par



Isometric View



Tél: (450) 979-4373
 Fax: (450) 979-4626
www.exmweb.com

Flatness
Aplatissement
Max 3.0mm
Projection

Customer Client	Date
Drawn By Dessiné Par BoxCad: BoxCad	Date 10-Nov-21
Material Matière 16 Ga Stainless Steel 316 (1.4mm)	
Color Couleur Unpainted	Finish Fini Brushed
Description 5412ESSM 8" x 10" x 4" Body	Detail Rev.
Part Number Numéro Pièce 5412ESSM0810046NOIPB	Rev. 0

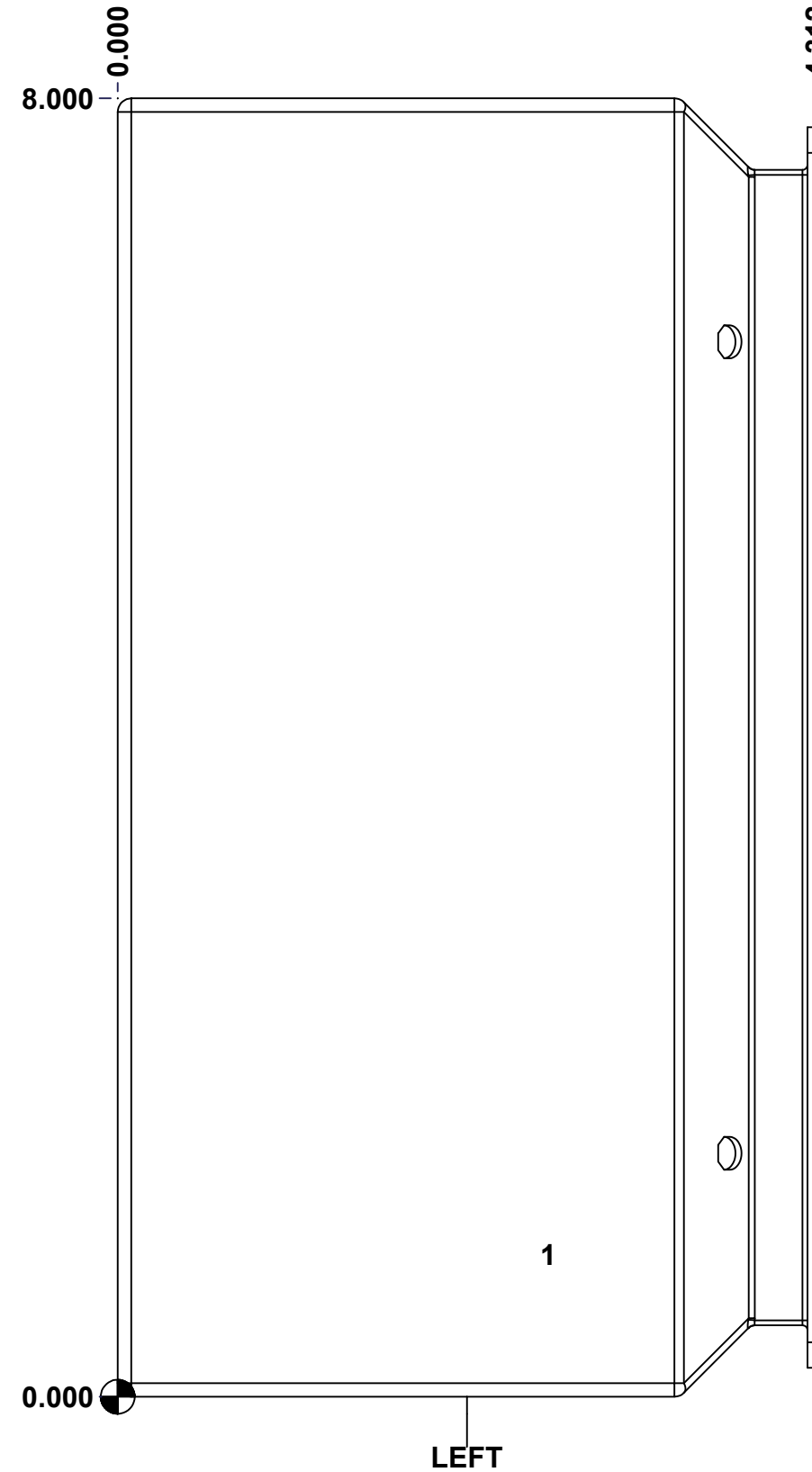
SEE BILL OF MATERIAL ON LAST PAGE

1
7

This drawing is confidential and must not be reproduced or used without the consent of EXM

Ce dessin est confidentiel et ne doit pas être reproduit ou utilisé sans le consentement de EXM

STANDARD FEATURES ARE NOT LISTED IN THIS HOLE TABLE			
HOLE TABLE - LEFT VIEW (CUSTOM FEATURE ONLY)			
CUT-OUT	XDIM	YDIM	DESCRIPTION
1	2.625	0.875	STANDOFF M6 x 10mm (Inside)



	Description		Status	
	5412ESSM 8" x 10" x 4" Body		(NULL)	
Part Number Numéro Pièce		Rev.	5	7
5412ESSM0810046NOIPB		0		

This drawing is confidential and must not be reproduced or used without the consent of EXM

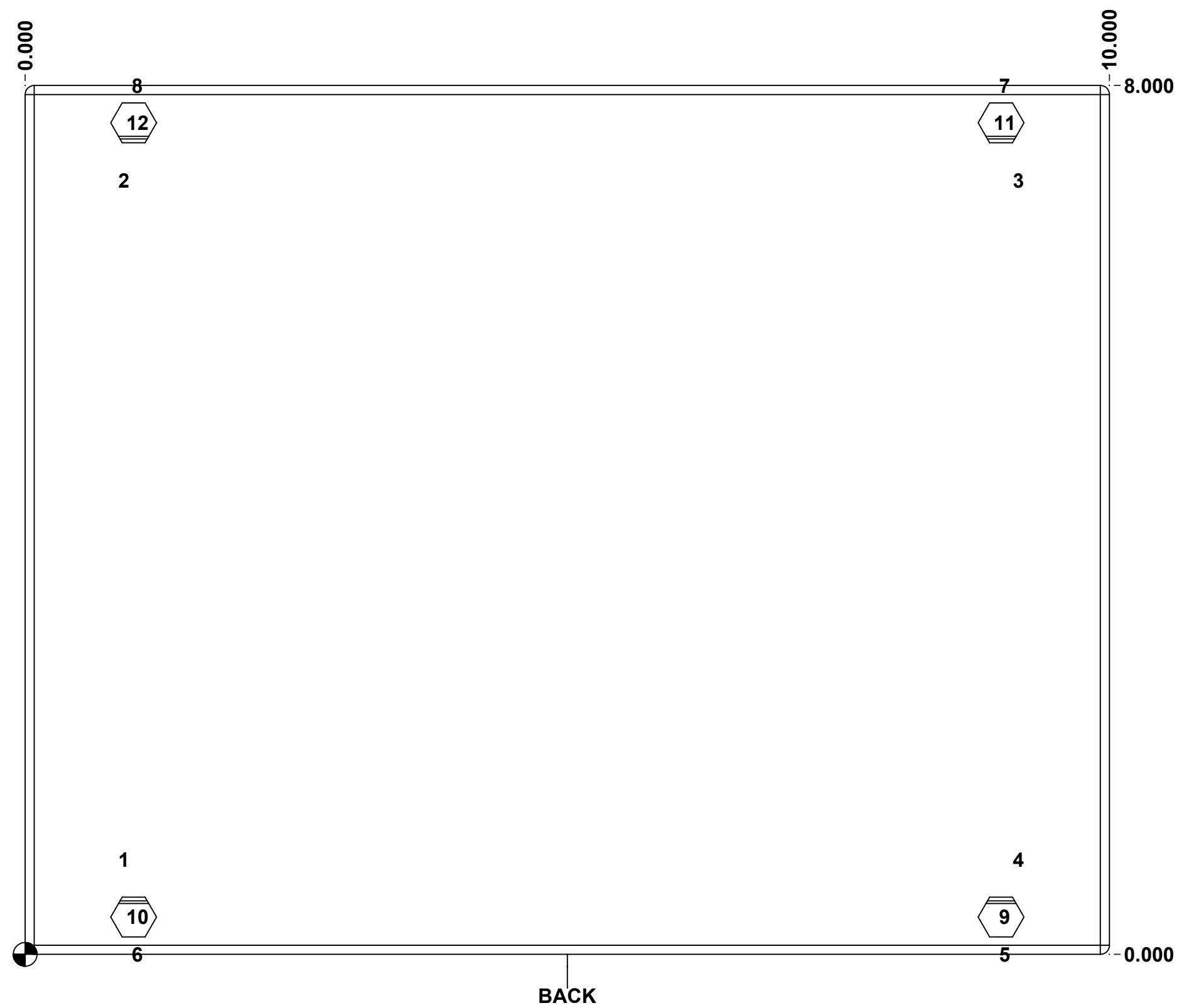
Ce dessin est confidentiel et ne doit pas être reproduit ou utilisé sans le consentement de EXM

STANDARD FEATURES ARE NOT LISTED IN THIS HOLE TABLE

HOLE TABLE - BACK VIEW (CUSTOM FEATURE ONLY)

CUT-OUT	XDIM	YDIM	DESCRIPTION
1	0.875	0.875	IP STANDOFF M6 x 10mm (Inside)
2	0.875	7.125	IP STANDOFF M6 x 10mm (Inside)
3	9.125	7.125	IP STANDOFF M6 x 10mm (Inside)
4	9.125	0.875	IP STANDOFF M6 x 10mm (Inside)

5	9.000	0.000	FOOT 885 ESCHMF2
6	1.000	0.000	FOOT 885 ESCHMF2
7	9.000	8.000	FOOT 885 ESCHMF2
8	1.000	8.000	FOOT 885 ESCHMF2
9	9.000	0.344	RIVET NUT M6_FH_CE (Inside)
10	1.000	0.344	RIVET NUT M6_FH_CE (Inside)
11	9.000	7.656	RIVET NUT M6_FH_CE (Inside)
12	1.000	7.656	RIVET NUT M6_FH_CE (Inside)

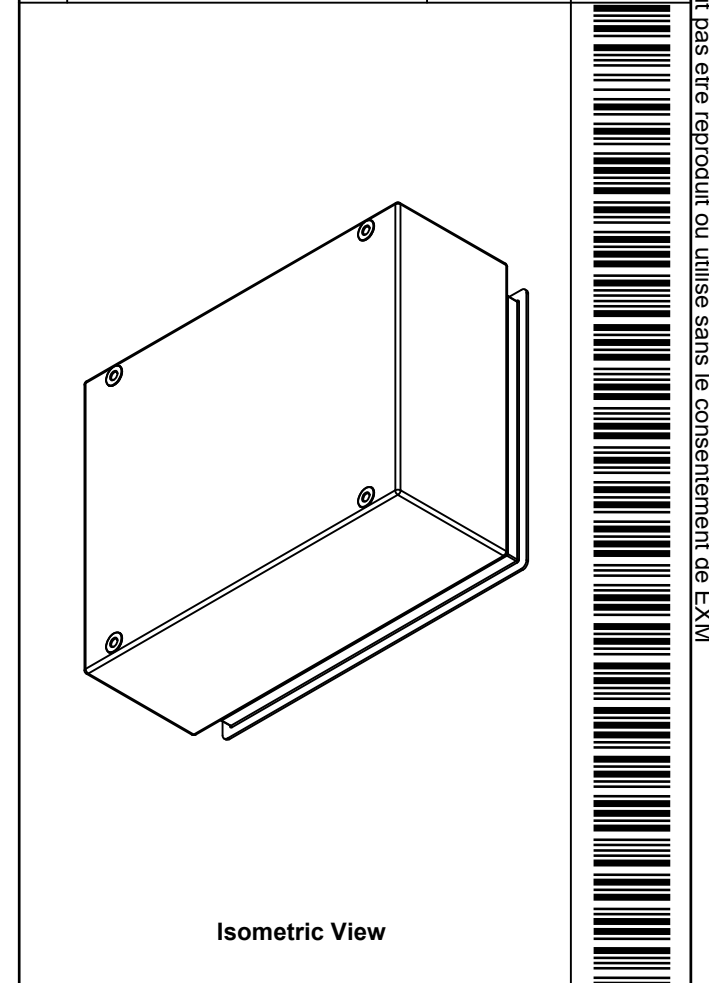




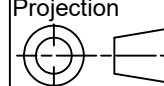
	Description	Status
	5412ESSM 8" x 10" x 4" Body	(NULL)
	Part Number Numéro Pièce	Rev.
	5412ESSM0810046NOIPB	0
		6
		7

This drawing is confidential and must not be reproduced or used without the consent of EXM

Ce dessin est confidentiel et ne doit pas être reproduit ou utilisé sans le consentement de EXM

No.	Revisions	Date	By/Par

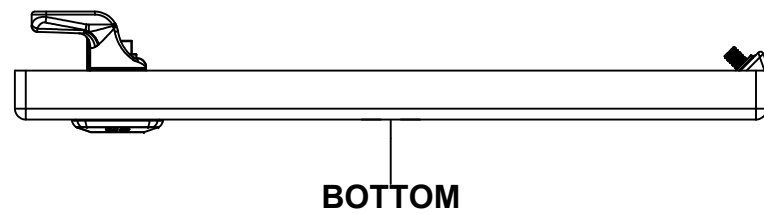
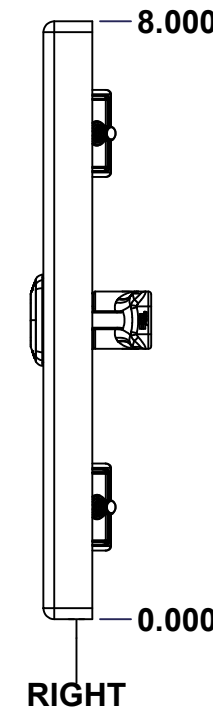
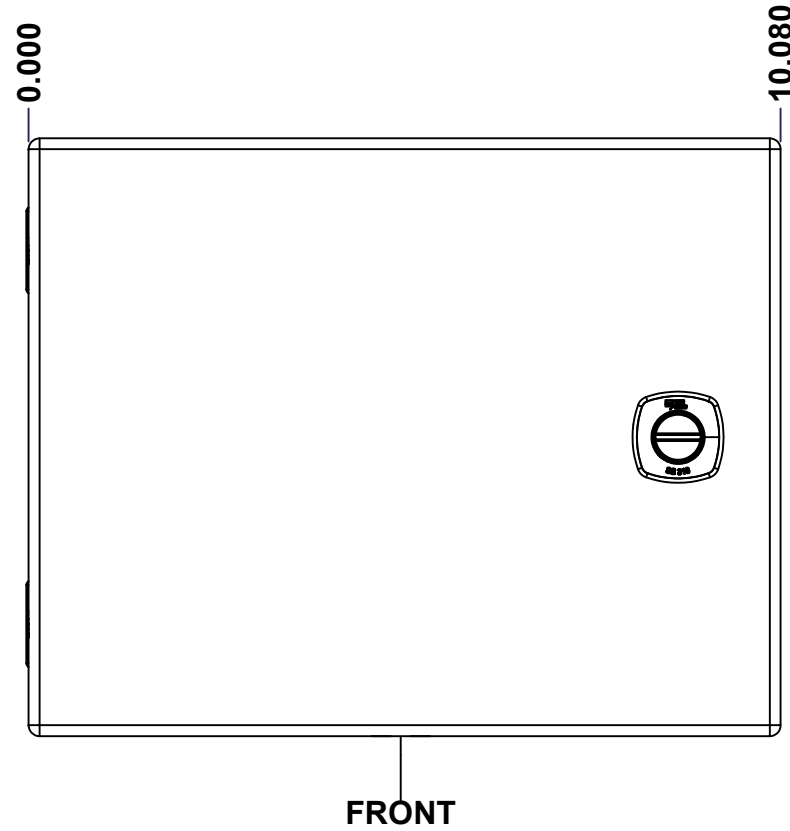
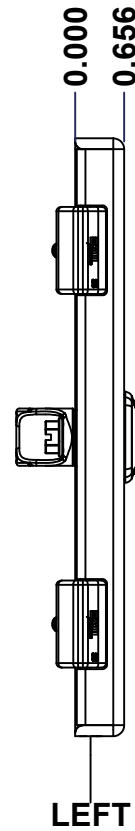
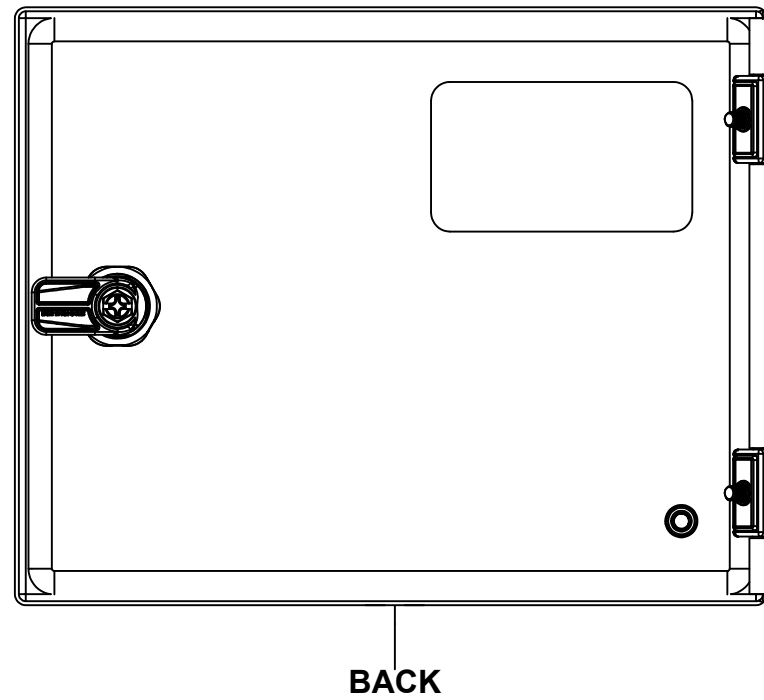
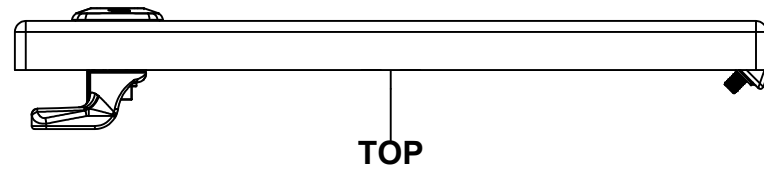


 Tél: (450) 979-4373 Fax: (450) 979-4626 www.exmweb.com		Flatness Aplatissement  Max 3.0mm
Customer Client		Date
Drawn By Dessiné Par BoxCad: BoxCad		Date 10-Nov-21
Material Matière 16 Ga Stainless Steel 316 (1.4mm)		Projection 
Color Couleur Unpainted		Finish Fini Brushed
Description 5412ESSM 8" x 10" x 4" Body		Detail Rev.
Part Number Numéro Pièce 5412ESSM0810046NOIPB		Rev. 0

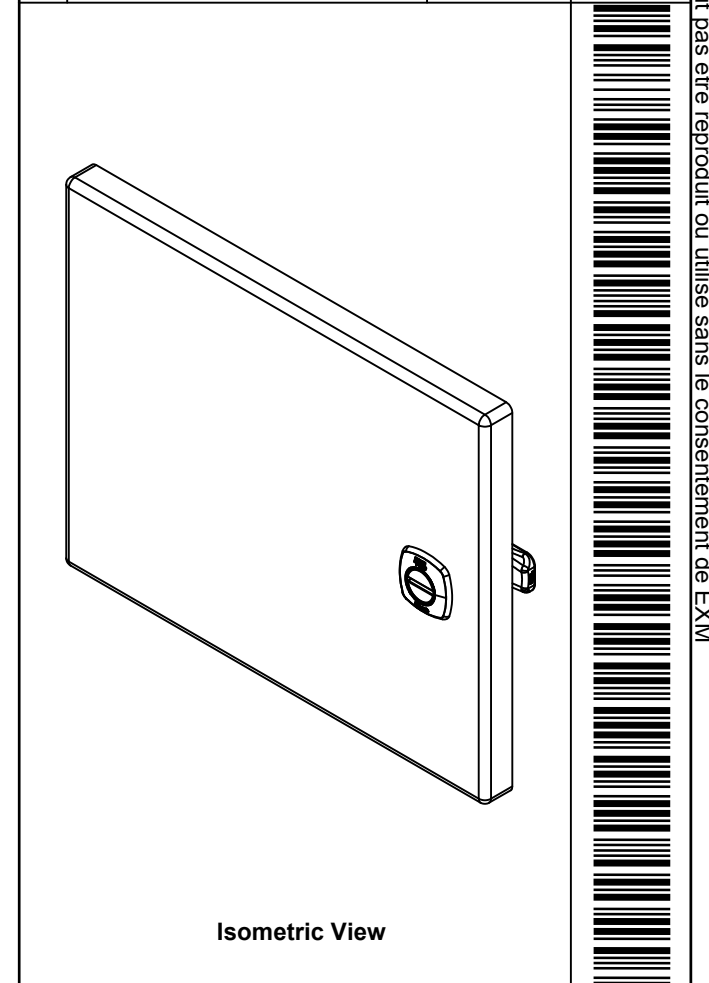
Qty	Part Number	Rev	Description
4	RIVET_NUT_SS_M6_FH_CE	0	Stainless Steel Rivet Nut M6 (Low Profile Close End)
1	STK-Q-08112	3	M5 Stainless Steel 304 Nylon Insert Dome Nut
1	5412ESSM0810046NOIP B-P	0	5412ESSM 8" x 10" x 4" Body Part
1	STK-Q-00200	0	M5 x 8mm Stainless Steel 316 Carriage Bolt with Nyseal
5	STK-Q-08500	4	Stainless Steel Standoff M6 x 10mm
Parts List			


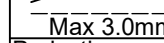
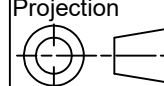
This drawing is confidential and must not be reproduced or used without the consent of EXM

Ce dessin est confidentiel et ne doit pas être reproduit ou utilisé sans le consentement de EXM



No.	Revisions	Date	By/Par



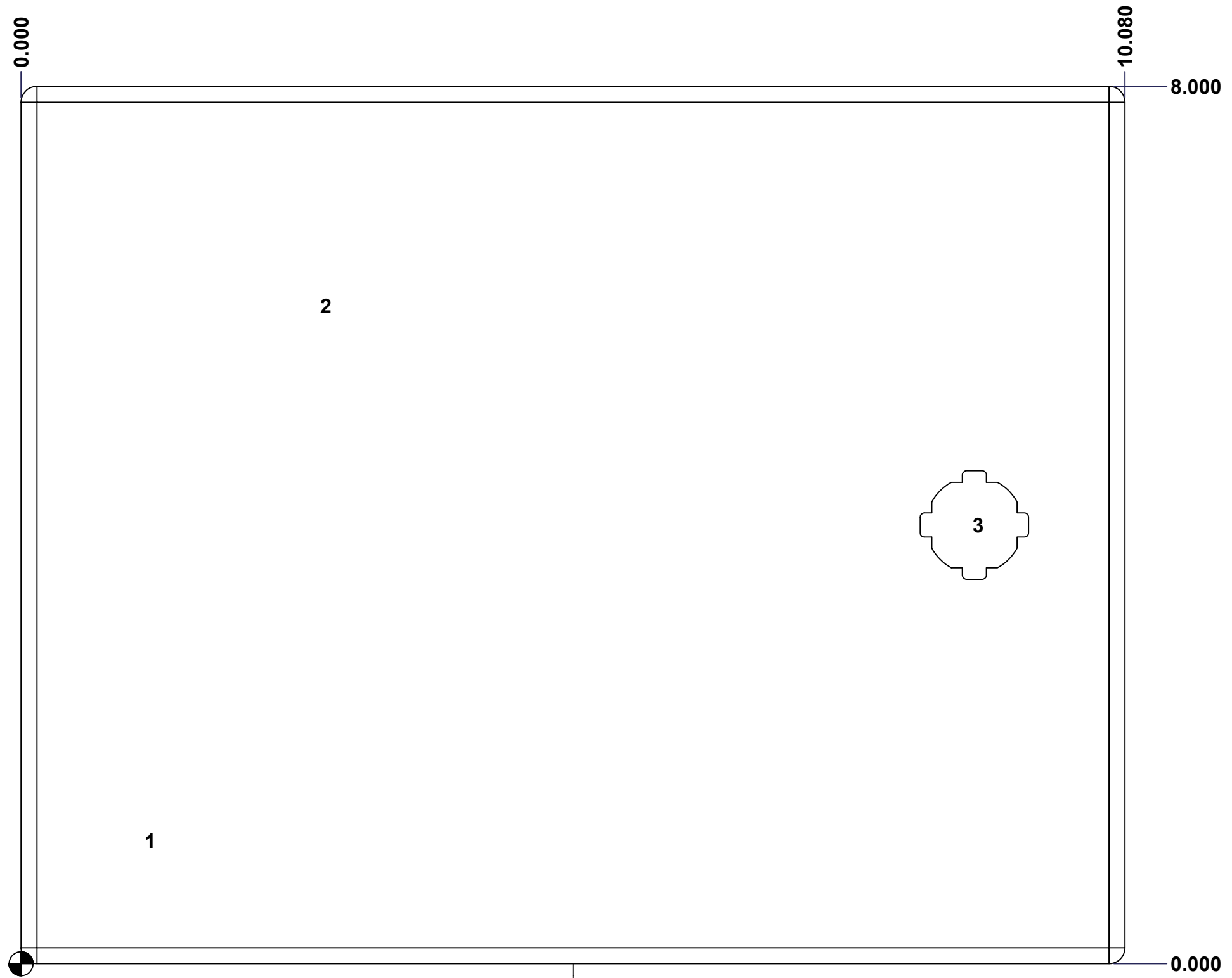
 Tél: (450) 979-4373 Fax: (450) 979-4626 www.exmweb.com		Flatness Aplatissement  Max 3.0mm Projection 
Customer Client	Date	
Drawn By / Dessiné Par: BoxCad: BoxCad	Date: 10-Nov-21	
Material / Matière: 16 Ga Stainless Steel 316 (1.4mm)		
Color / Couleur: Unpainted	Finish / Fini: Brushed	
Description: 5412ESSM 8" x 10" Cover		Detail Rev.
Part Number / Numéro Pièce: 5412ESSM0810046NOIPC	Rev. 0	1 / 3

SEE BILL OF MATERIAL ON LAST PAGE

This drawing is confidential and must not be reproduced or used without the consent of EXM

Ce dessin est confidentiel et ne doit pas être reproduit ou utilisé sans le consentement de EXM

STANDARD FEATURES ARE NOT LISTED IN THIS HOLE TABLE			
HOLE TABLE - FRONT VIEW (CUSTOM FEATURE ONLY)			
CUT-OUT	XDIM	YDIM	DESCRIPTION
1	1.145	1.125	STANDOFF M6 x 10mm (Inside)
2	2.750	6.000	LABEL_EXM
3	8.705	4.000	LOCK 880 SCQ4-SLSS6 @ 0.0°



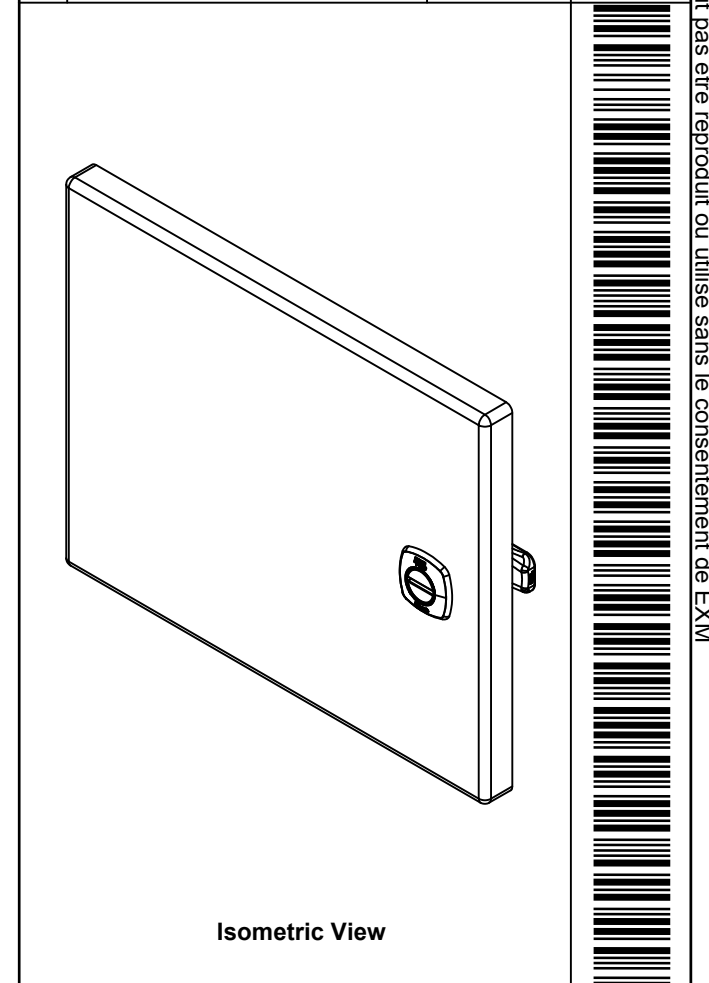
FRONT

	Description	Status
	5412ESSM 8" x 10" Cover	(NULL)
	Part Number Numéro Pièce	Rev.
	5412ESSM0810046NOIPC	0
		2
		3

This drawing is confidential and must not be reproduced or used without the consent of EXM

Ce dessin est confidentiel et ne doit pas être reproduit ou utilisé sans le consentement de EXM

No.	Revisions	Date	By/Par




 Tél: (450) 979-4373
 Fax: (450) 979-4626
www.exmweb.com

Flatness / Aplatissement:  Max 3.0mm
 Projection: 

Customer / Client: _____ Date: _____
 Drawn By / Dessiné Par: BoxCad: BoxCad Date: 10-Nov-21

Material / Matière: 16 Ga Stainless Steel 316 (1.4mm)

Color / Couleur: Unpainted Finish / Fini: Brushed

Description: 5412ESSM 8" x 10" Cover
 Detail Rev.:

Part Number / Numéro Pièce: **5412ESSM0810046NOIPC**
 Rev. 0

Qty	Part Number	Rev	Description
1	5412ESSM0810046NOIP G	0	5412ESSM 8" x 10" Gasket
1	880 SCQ4-SLSS6	7	5412 ESS 1/4 Turn Lock
1	STK-S-00100	0	3.5" x 2" Silver Milar Flexcon Sticker
1	STK-Q-08500	4	Stainless Steel Standoff M6 x 10mm
1	5412ESSM0810046NOIP C-P	0	5412ESSM 8" x 10" Cover Part
2	STK-A-33038	3	5412 ESSMCH - Stainless Steel Hinge
Parts List			

Rev. 3
3