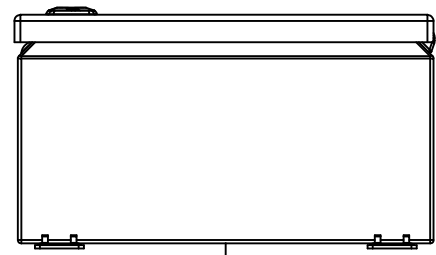
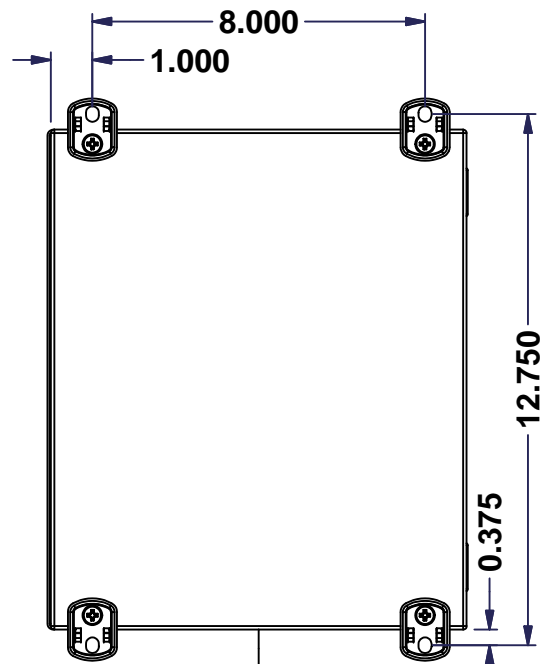


This drawing is confidential and must not be reproduced or used without the consent of EXM

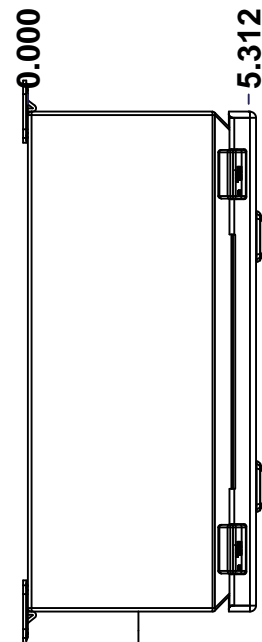
Ce dessin est confidentiel et ne doit pas être reproduit ou utilisé sans le consentement de EXM



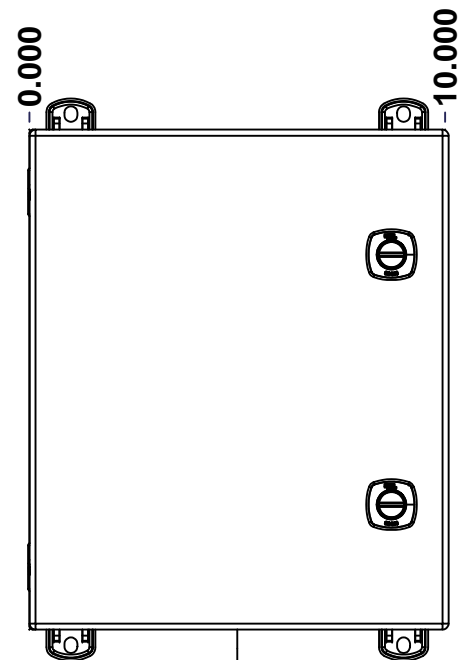
TOP



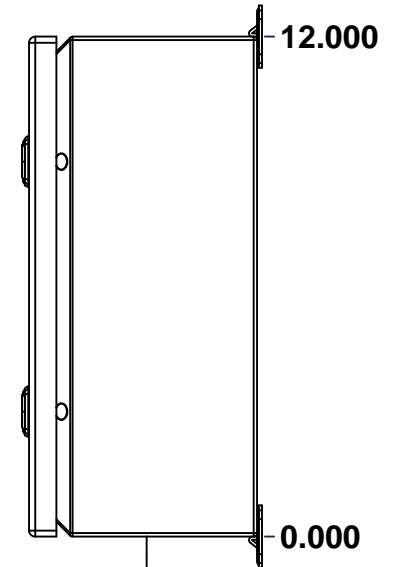
BACK



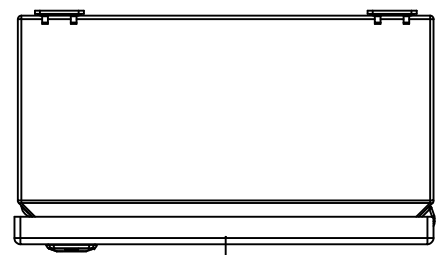
LEFT



FRONT

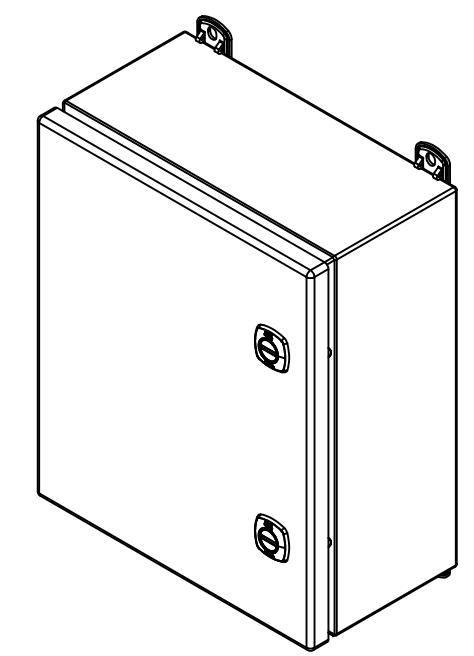


RIGHT



BOTTOM

No.	Revisions	Date	By/Par


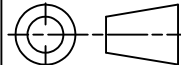


Isometric View



**GRAIN DIRECTION:
TOP/BOTTOM: HORIZONTAL
LEFT/RIGHT/BACK/FRONT: VERTICAL**

SEE BILL OF MATERIAL ON LAST PAGE

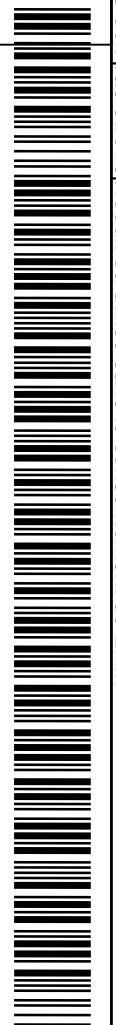
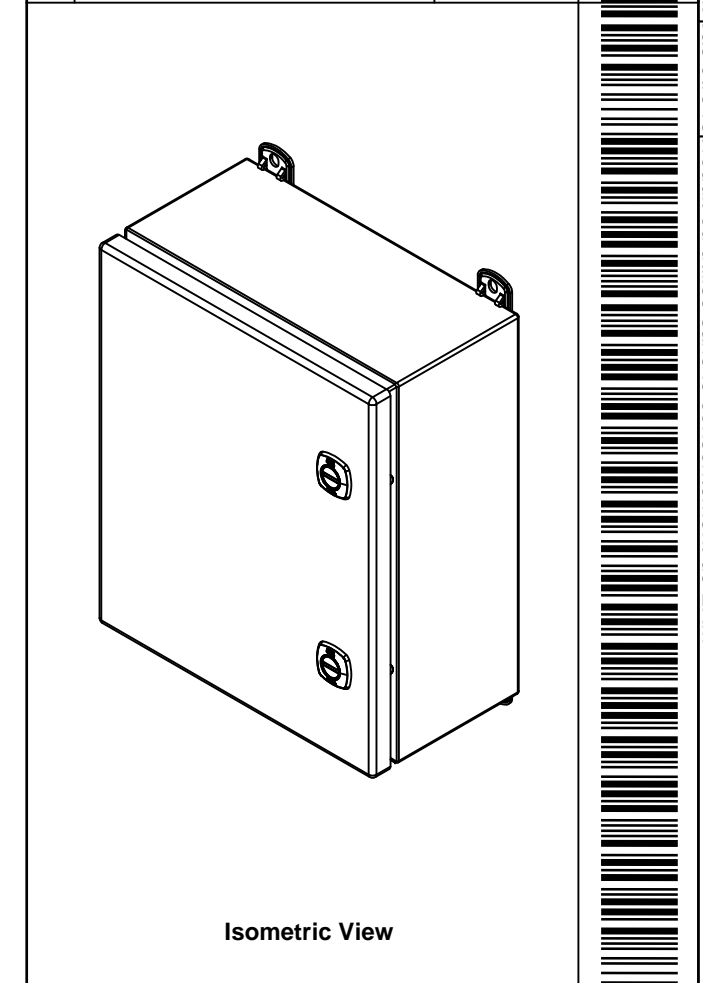
 Tél: (450) 979-4373 Fax: (450) 979-4626 www.exmweb.com		Flatness Aplatissement Max 3.0mm Projection 
Customer Client	Date	Date
Drawn By Dessiné Par	BoxCad: BoxCad	Date 10-Nov-21
Material Matière	16 Ga Stainless Steel 316 (1.4mm)	
Color Couleur	Unpainted	Finish Fini Brushed
Description	Detail Rev.	
5412ESSM 12" x 10" x 5" Assembly		
Part Number Numéro Pièce	Rev.	1
5412ESSM1210056NOIP	0	2

This drawing is confidential and must not be reproduced or used without the consent of EXM

Ce dessin est confidentiel et ne doit pas être reproduit ou utilisé sans le consentement de EXM

NOTE	
ITEM	DESCRIPTION
1	NEMA 4X Enclosure
2	C/W Standard ground standoffs on box and cover
3	W/O Standard door stiffener
4	W/O Inner panel
5	C/W Standard inner panel mounting standoffs
6	C/W 885 ESCHMF2 Mounting Feet (Installed)

No.	Revisions	Date	By/Par



		Flatness Aplatissement Max 3.0mm Projection
Tél: (450) 979-4373 Fax: (450) 979-4626 www.exmweb.com		Customer Client Date Drawn By / Dessiné Par: BoxCad: BoxCad Date: 10-Nov-21
Material / Matière: 16 Ga Stainless Steel 316 (1.4mm)		Color / Couleur: Unpainted Finish / Fini: Brushed
Description: 5412ESSM 12" x 10" x 5" Assembly		Detail Rev.
Part Number / Numéro Pièce: 5412ESSM1210056NOIP		Rev. 0

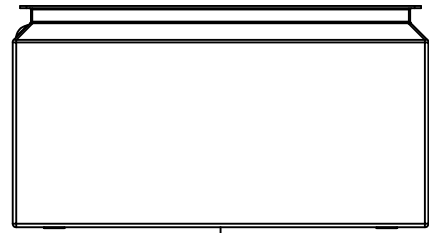
Qty	Part Number	Rev	Description
1	5412ESSM1210056NOIP C	0	5412ESSM 12" x 10" Cover
1	STK-K-02910	3	5412 ESCH Accessory Kit
1	885 ESSCHMFQ	0	5412 ESSCH Mounting Feet Accessory Kit
1	5412ESSM1210056NOIP B	0	5412ESSM 12" x 10" x 5" Body
2	STK-Q-08100	1	M5 Nylon Insert Lock Nut

Parts List

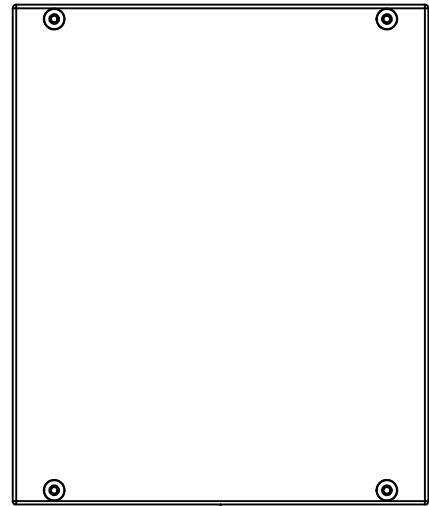
PACKING		
ITEM	QTY	DESCRIPTION
STK-E-04316	1	CARTON 5412 ESCH121005
Plastic bag	1	To protect cover surface and inside gasket
Packaging label	1	White label with product number
STK-S-01100	1	ESCH EXM SQUARE STICKER

This drawing is confidential and must not be reproduced or used without the consent of EXM

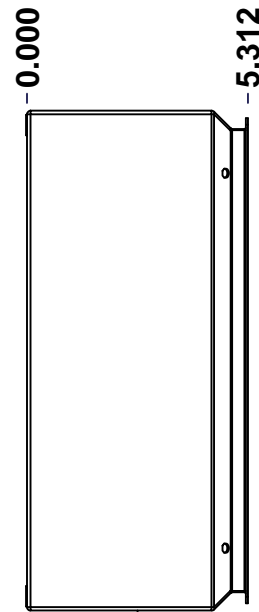
Ce dessin est confidentiel et ne doit pas être reproduit ou utilisé sans le consentement de EXM



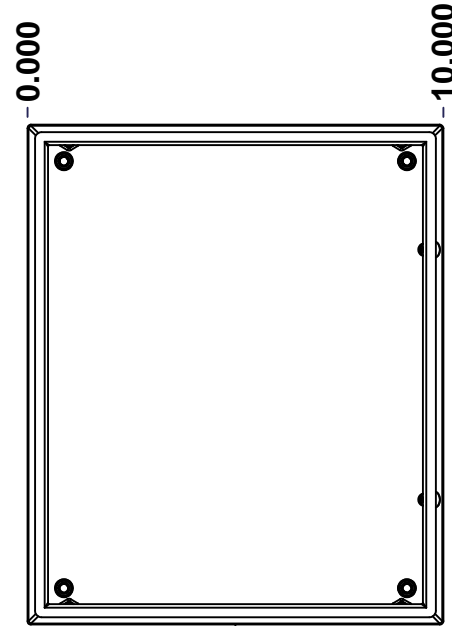
TOP



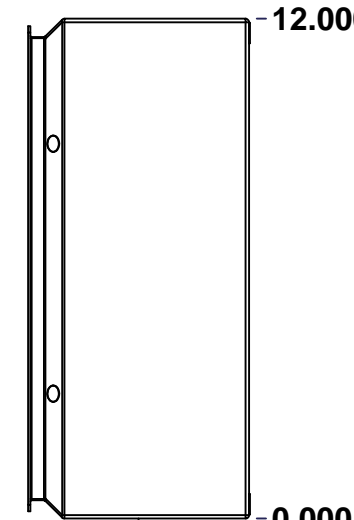
BACK



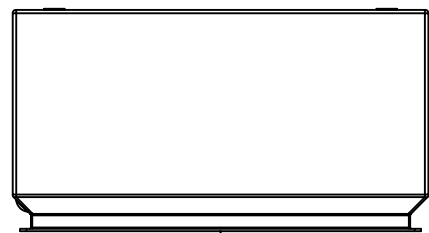
LEFT



FRONT

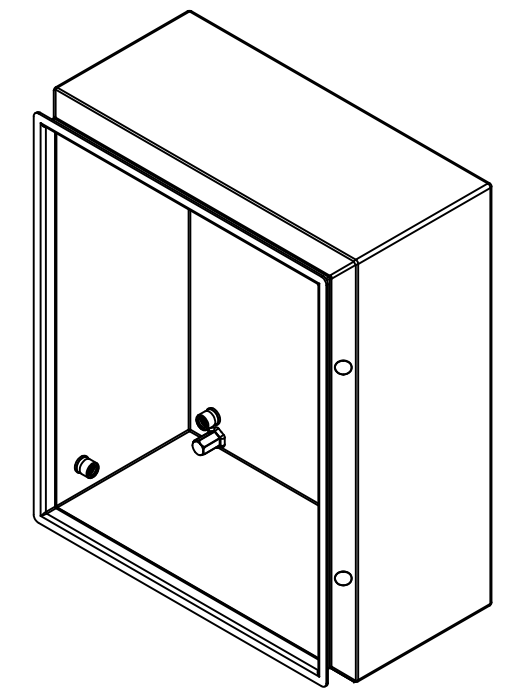


RIGHT



BOTTOM

No.	Revisions	Date	By/Par



Isometric View



Tél: (450) 979-4373
 Fax: (450) 979-4626
www.exmweb.com

Flatness
Aplatissement
Max 3.0mm
Projection

Customer Client	Date
Drawn By / Dessiné Par: BoxCad: BoxCad	Date: 10-Nov-21
Material / Matière: 16 Ga Stainless Steel 316 (1.4mm)	
Color / Couleur: Unpainted	Finish / Fini: Brushed
Description: 5412ESSM 12" x 10" x 5" Body	Detail Rev.
Part Number / Numéro Pièce: 5412ESSM1210056NOIPB	Rev. 0

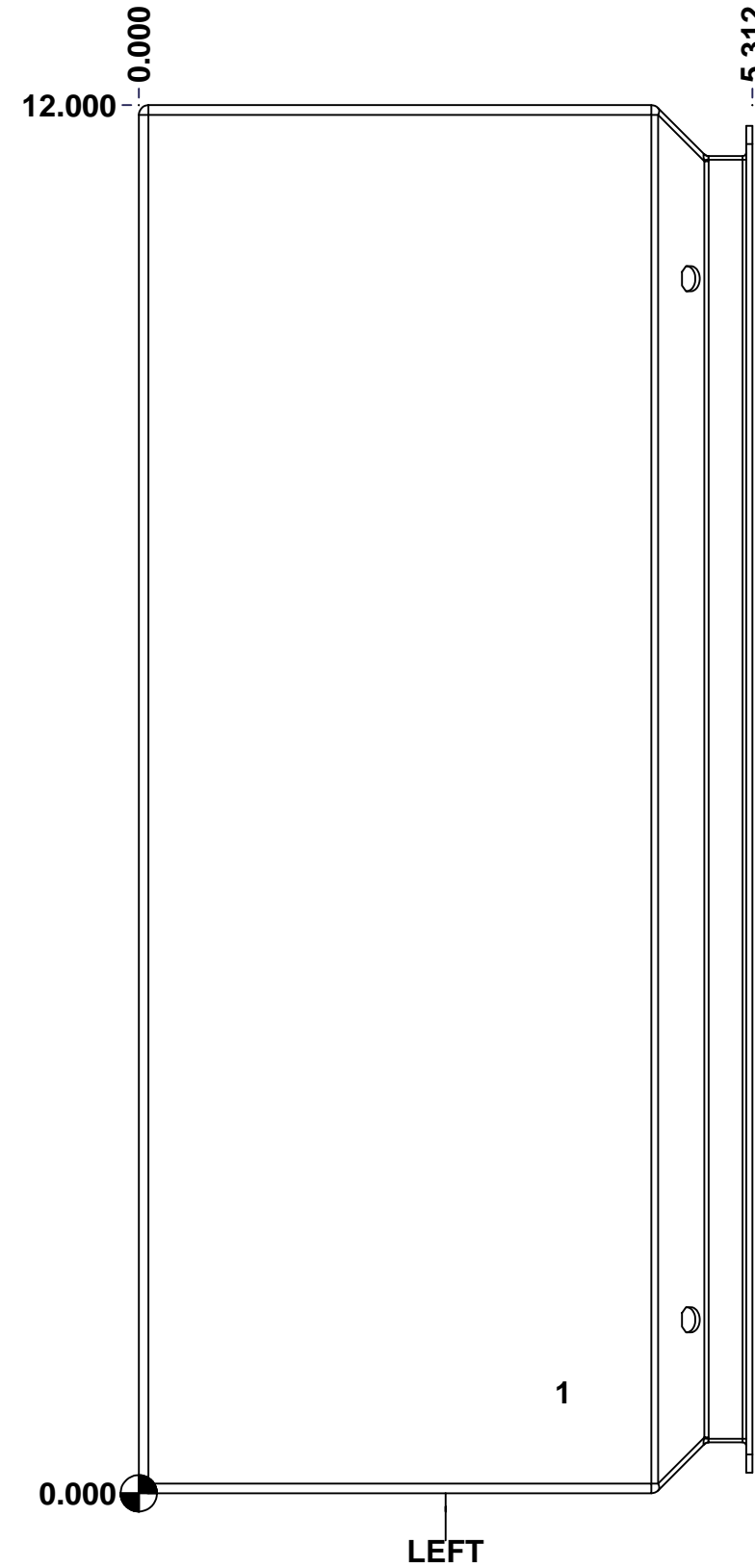
SEE BILL OF MATERIAL ON LAST PAGE

1
7

This drawing is confidential and must not be reproduced or used without the consent of EXM

Ce dessin est confidentiel et ne doit pas être reproduit ou utilisé sans le consentement de EXM

STANDARD FEATURES ARE NOT LISTED IN THIS HOLE TABLE			
HOLE TABLE - LEFT VIEW (CUSTOM FEATURE ONLY)			
CUT-OUT	XDIM	YDIM	DESCRIPTION
1	3.625	0.875	STANDOFF M6 x 10mm (Inside)



	Description		Status	
	5412ESSM 12" x 10" x 5" Body		(NULL)	
Part Number Numéro Pièce		Rev.	5	7
5412ESSM1210056NOIPB		0		

This drawing is confidential and must not be reproduced or used without the consent of EXM

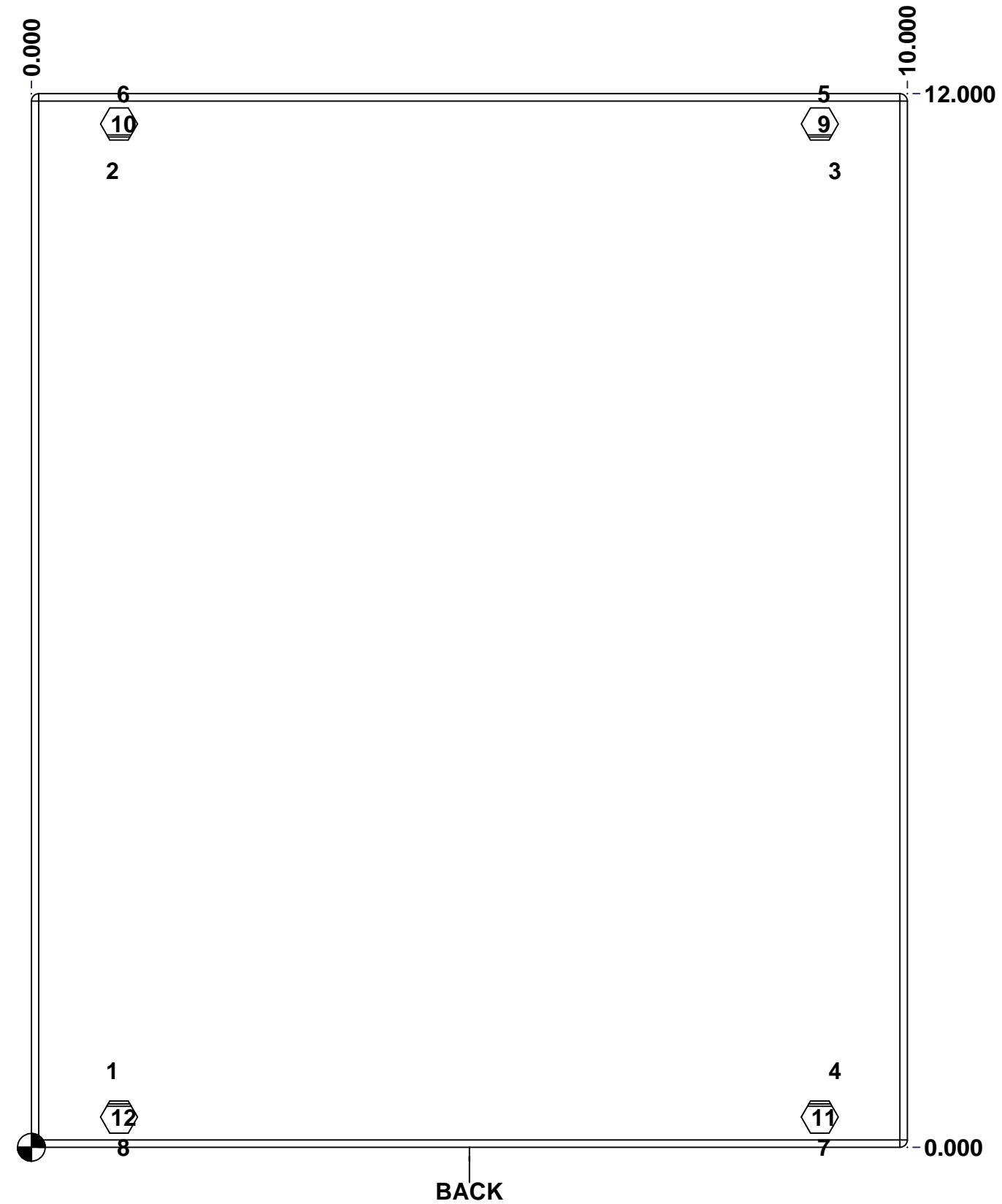
Ce dessin est confidentiel et ne doit pas être reproduit ou utilisé sans le consentement de EXM

STANDARD FEATURES ARE NOT LISTED IN THIS HOLE TABLE

HOLE TABLE - BACK VIEW (CUSTOM FEATURE ONLY)

CUT-OUT	XDIM	YDIM	DESCRIPTION
1	0.875	0.875	IP STANDOFF M6 x 10mm (Inside)
2	0.875	11.125	IP STANDOFF M6 x 10mm (Inside)
3	9.125	11.125	IP STANDOFF M6 x 10mm (Inside)
4	9.125	0.875	IP STANDOFF M6 x 10mm (Inside)

5	9.000	12.000	FOOT 885 ESCHMF2
6	1.000	12.000	FOOT 885 ESCHMF2
7	9.000	0.000	FOOT 885 ESCHMF2
8	1.000	0.000	FOOT 885 ESCHMF2
9	9.000	11.656	RIVET NUT M6_FH_CE (Inside)
10	1.000	11.656	RIVET NUT M6_FH_CE (Inside)
11	9.000	0.344	RIVET NUT M6_FH_CE (Inside)
12	1.000	0.344	RIVET NUT M6_FH_CE (Inside)

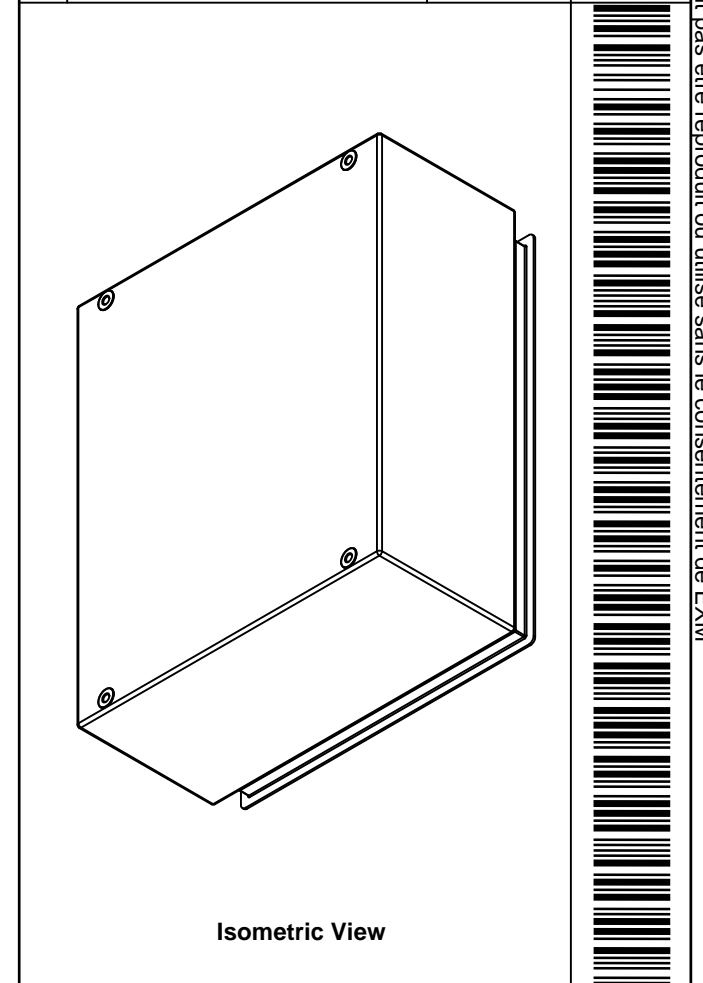


	Description	Status
	5412ESSM 12" x 10" x 5" Body	(NULL)
	Part Number Numéro Pièce	Rev.
	5412ESSM1210056NOIPB	0
		6 7

This drawing is confidential and must not be reproduced or used without the consent of EXM

Ce dessin est confidentiel et ne doit pas être reproduit ou utilisé sans le consentement de EXM

No.	Revisions	Date	By/Par

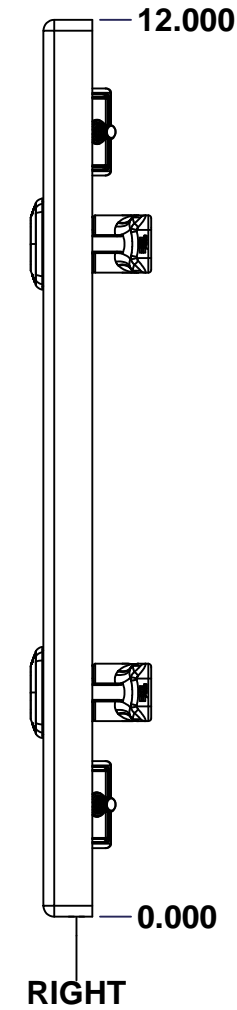
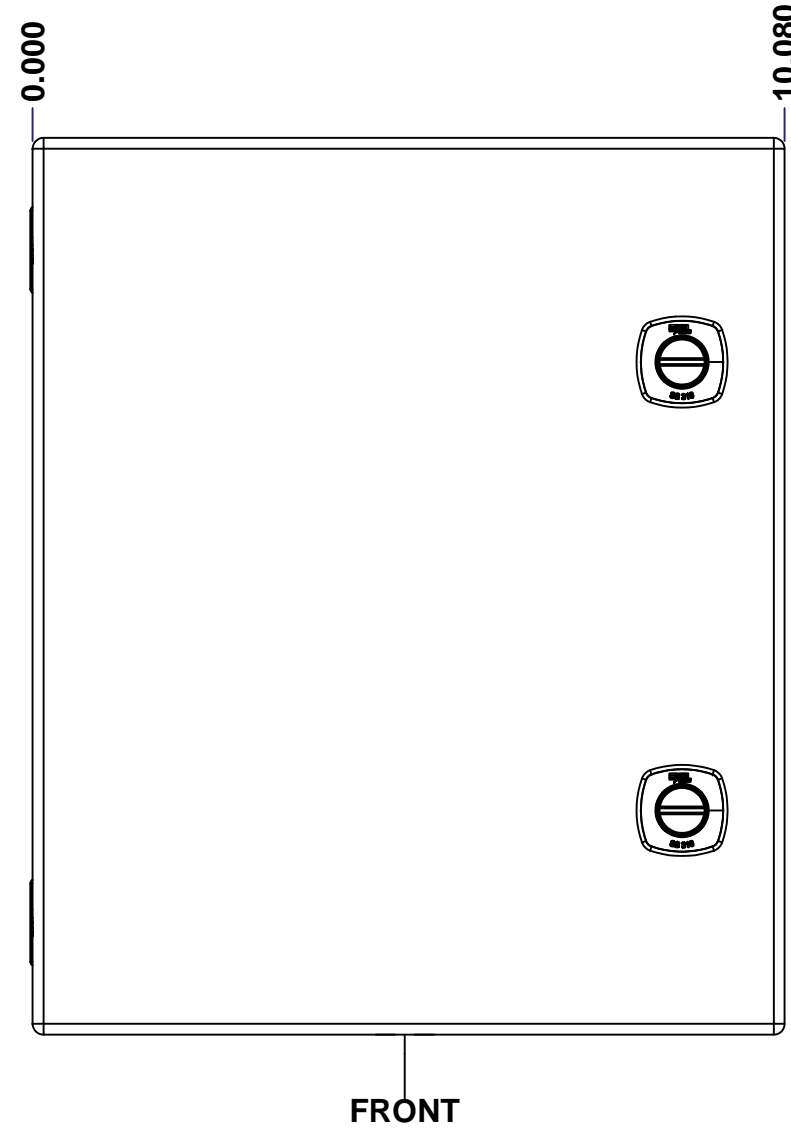
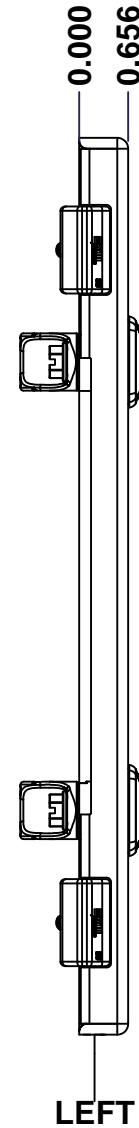
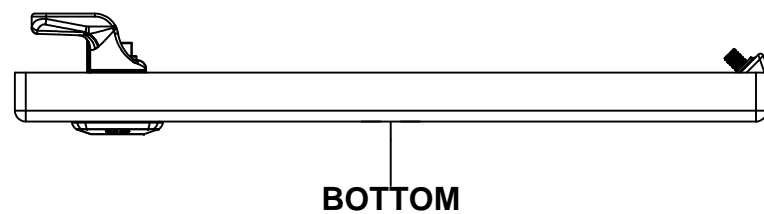
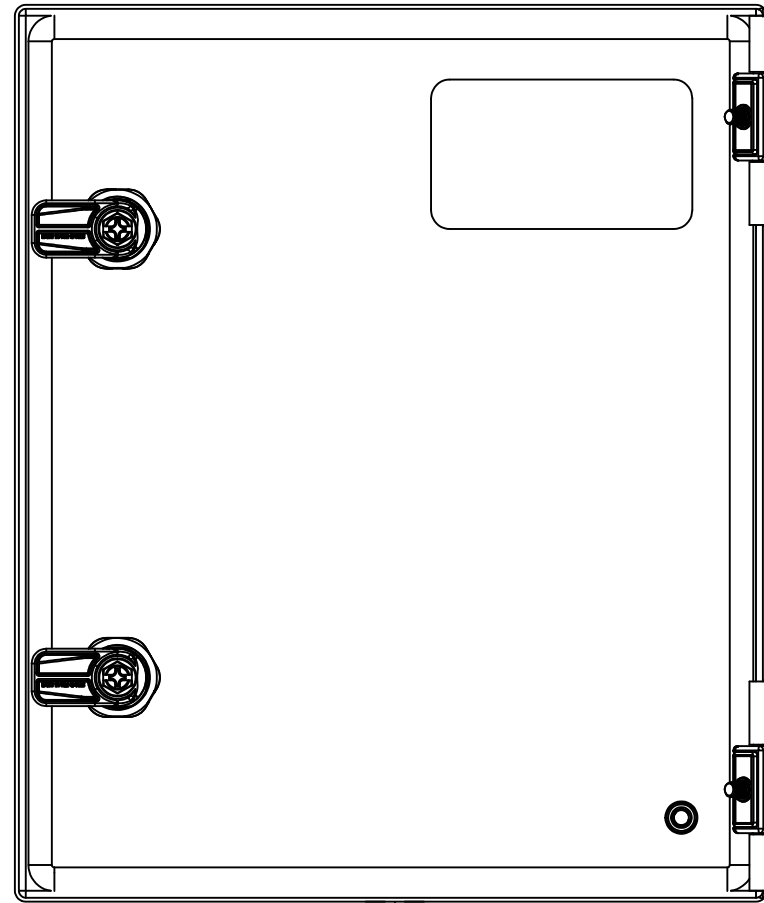
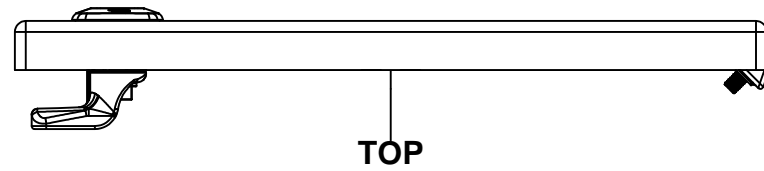


Tél: (450) 979-4373 Fax: (450) 979-4626 www.exmweb.com		Flatness Aplatisse	
		Max 3.0mm	Projection
Customer Client		Date	
Drawn By Dessiné Par BoxCad: BoxCad		Date 10-Nov-21	
Material Matière		16 Ga Stainless Steel 316 (1.4mm)	
Color Couleur	Unpainted	Finish Fini	Brushed
Description		Detail Rev.	
5412ESSM 12" x 10" x 5" Body			
Part Number Numéro Pièce		Rev.	7
5412ESSM1210056NOIPB		0	7

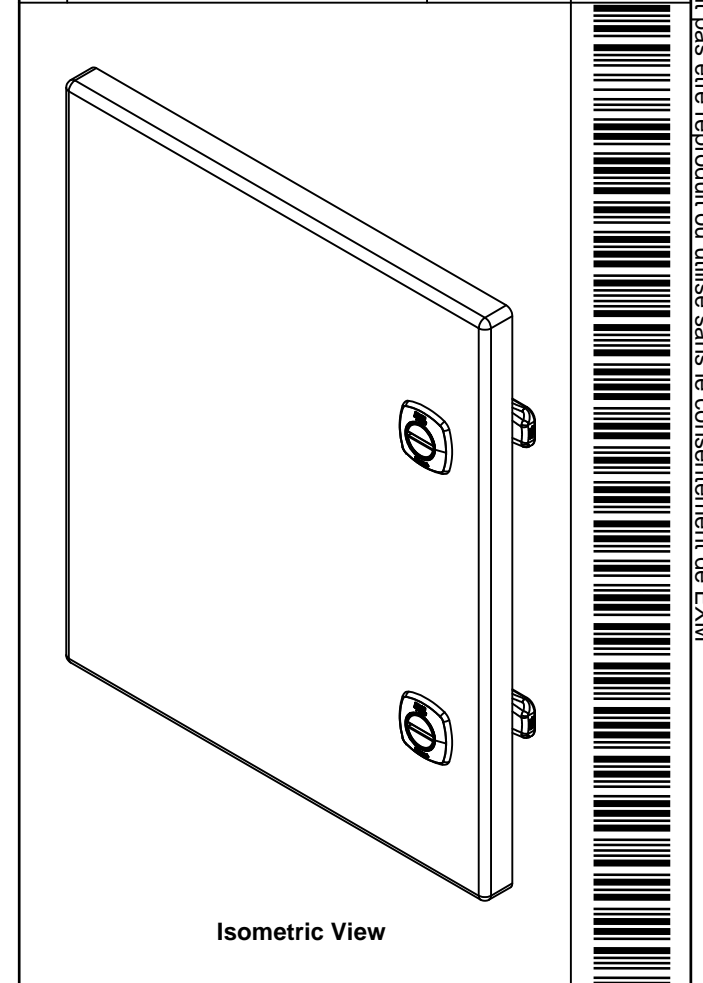
Qty	Part Number	Rev	Description
4	RIVET_NUT_SS_M6_FH_CE	0	Stainless Steel Rivet Nut M6 (Low Profile Close End)
2	STK-Q-08112	3	M5 Stainless Steel 304 Nylon Insert Dome Nut
1	5412ESSM1210056NOIP B-P	0	5412ESSM 12" x 10" x 5" Body Part
2	STK-Q-00200	0	M5 x 8mm Stainless Steel 316 Carriage Bolt with Nyseal
5	STK-Q-08500	4	Stainless Steel Standoff M6 x 10mm
Parts List			

This drawing is confidential and must not be reproduced or used without the consent of EXM

Ce dessin est confidentiel et ne doit pas être reproduit ou utilisé sans le consentement de EXM



No.	Revisions	Date	By/Par



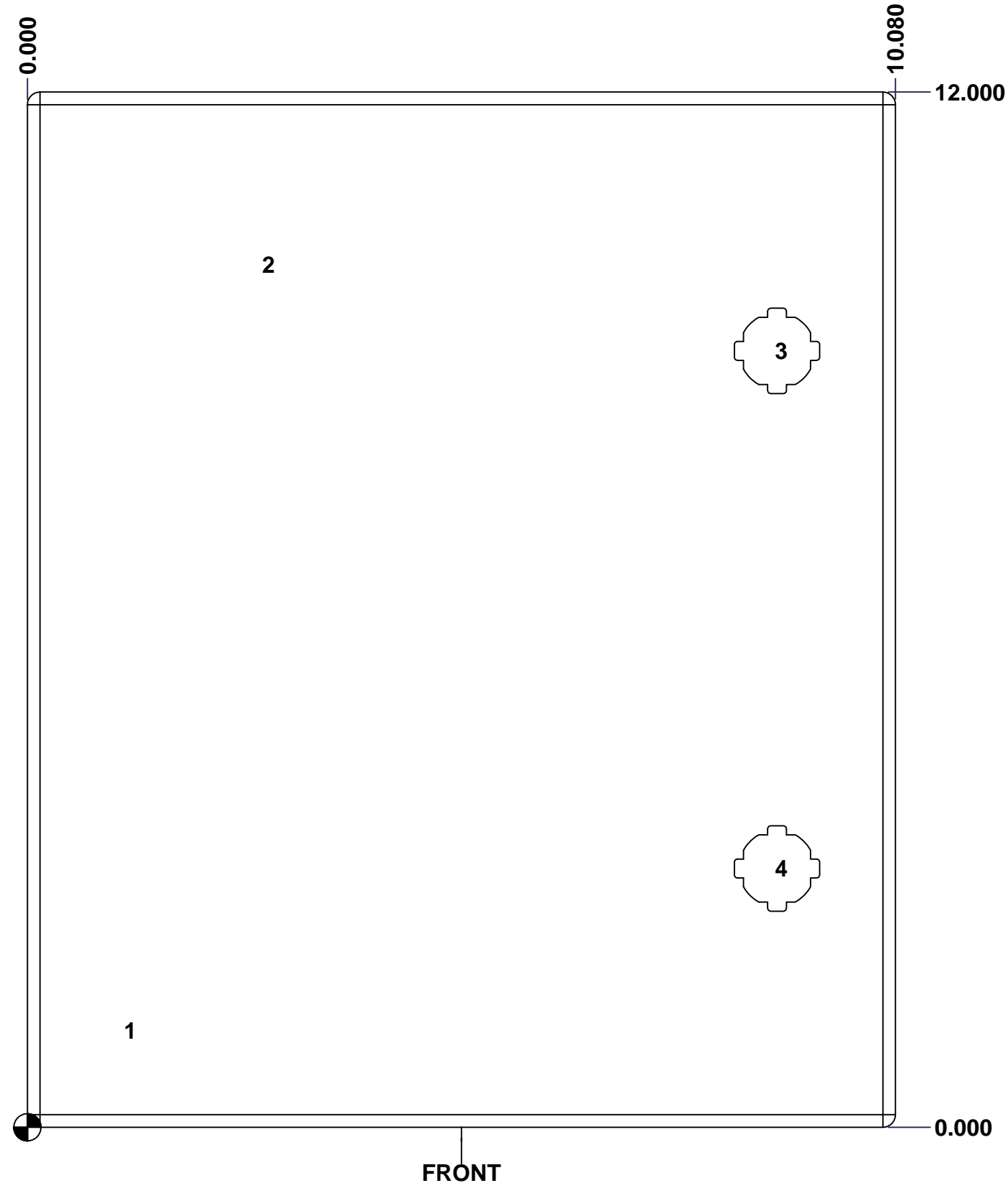
Tél: (450) 979-4373 Fax: (450) 979-4626 www.exmweb.com		Flatness Aplatissement Max 3.0mm Projection
Customer Client	Date	
Drawn By Dessiné Par	BoxCad: BoxCad	Date 10-Nov-21
Material Matière	16 Ga Stainless Steel 316 (1.4mm)	
Color Couleur	Unpainted	Finish Fini Brushed
Description	Detail Rev.	
5412ESSM 12" x 10" Cover		
Part Number Numéro Pièce	Rev. 0	1 3
5412ESSM1210056NOIPC		

SEE BILL OF MATERIAL ON LAST PAGE

This drawing is confidential and must not be reproduced or used without the consent of EXM

Ce dessin est confidentiel et ne doit pas être reproduit ou utilisé sans le consentement de EXM

STANDARD FEATURES ARE NOT LISTED IN THIS HOLE TABLE			
HOLE TABLE - FRONT VIEW (CUSTOM FEATURE ONLY)			
CUT-OUT	XDIM	YDIM	DESCRIPTION
1	1.145	1.125	STANDOFF M6 x 10mm (Inside)
2	2.750	10.000	LABEL_EXM
3	8.705	9.000	LOCK 880 SCQ4-SLSS6 @ 0.0°
4	8.705	3.000	LOCK 880 SCQ4-SLSS6 @ 0.0°

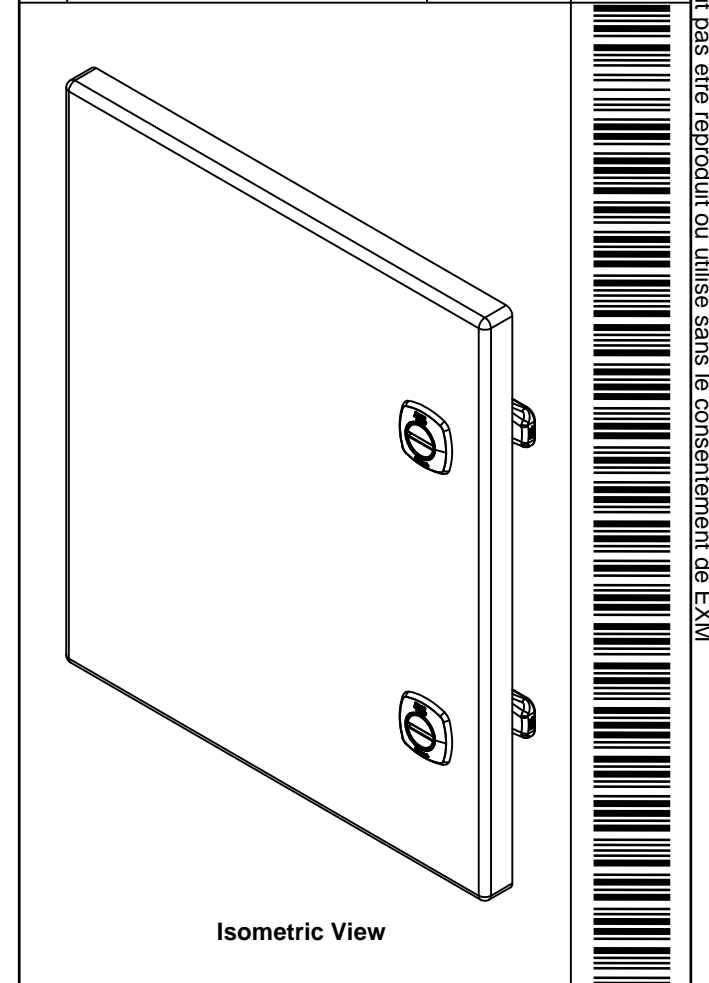




	Description	Status
	5412ESSM 12" x 10" Cover	(NULL)
	Part Number Numéro Pièce	Rev.
	5412ESSM1210056NOIPC	0
		2
		3

This drawing is confidential and must not be reproduced or used without the consent of EXM

Ce dessin est confidentiel et ne doit pas être reproduit ou utilisé sans le consentement de EXM

No.	Revisions	Date	By/Par



 Tél: (450) 979-4373 Fax: (450) 979-4626 www.exmweb.com		Flatness Aplatissement  Max 3.0mm
Customer Client		Date
Drawn By Dessiné Par BoxCad: BoxCad		Date 10-Nov-21
Material Matière 16 Ga Stainless Steel 316 (1.4mm)		
Color Couleur Unpainted		Finish Fini Brushed
Description 5412ESSM 12" x 10" Cover		Detail Rev.
Part Number Numéro Pièce 5412ESSM1210056NOIPC		Rev. 0

Qty	Part Number	Rev	Description
1	5412ESSM1210056NOIP G	0	5412ESSM 12" x 10" Gasket
1	STK-S-00100	0	3.5" x 2" Silver Milar Flexcon Sticker
1	STK-Q-08500	4	Stainless Steel Standoff M6 x 10mm
1	5412ESSM1210056NOIP C-P	0	5412ESSM 12" x 10" Cover Part
2	STK-A-33038	3	5412 ESSMCH - Stainless Steel Hinge
2	880 SCQ4-SLSS6	7	5412 ESS 1/4 Turn Lock
Parts List			