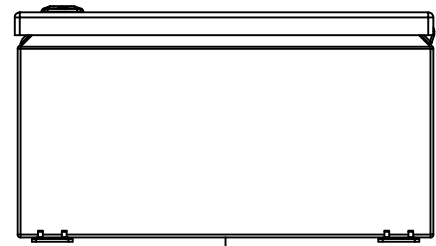
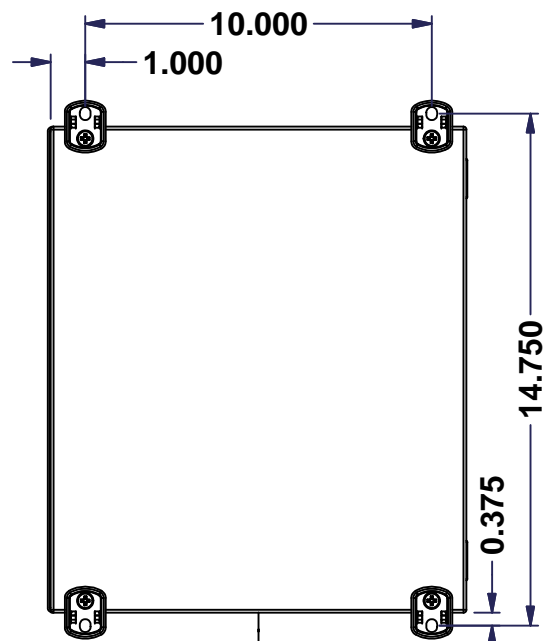


This drawing is confidential and must not be reproduced or used without the consent of EXM

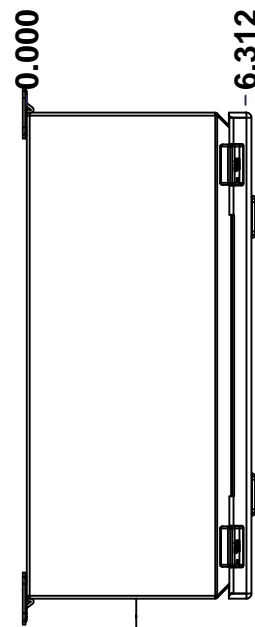
Ce dessin est confidentiel et ne doit pas être reproduit ou utilisé sans le consentement de EXM



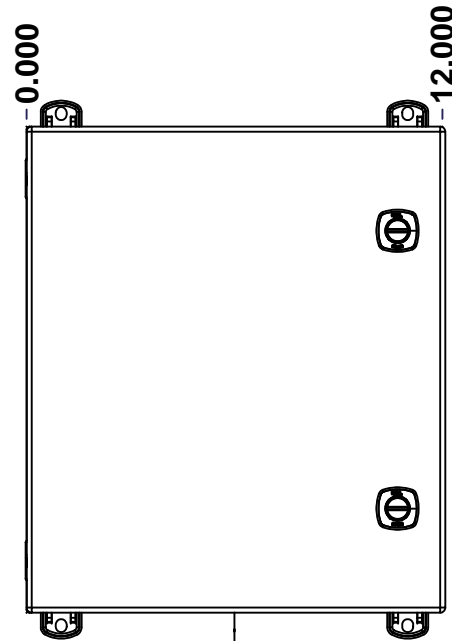
TOP



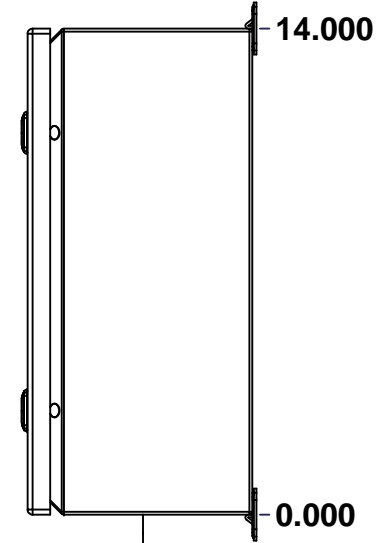
BACK



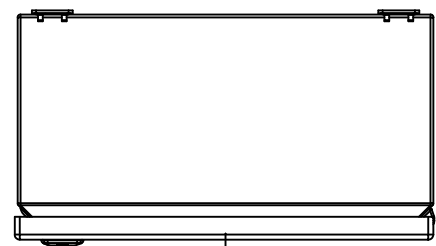
LEFT



FRONT

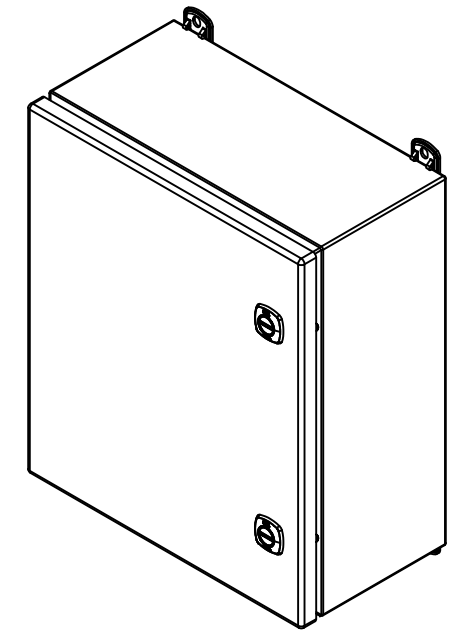


RIGHT



BOTTOM

No.	Revisions	Date	By/Par


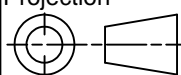


Isometric View



**GRAIN DIRECTION:  
TOP/BOTTOM: HORIZONTAL  
LEFT/RIGHT/BACK/FRONT: VERTICAL**

SEE BILL OF MATERIAL ON LAST PAGE

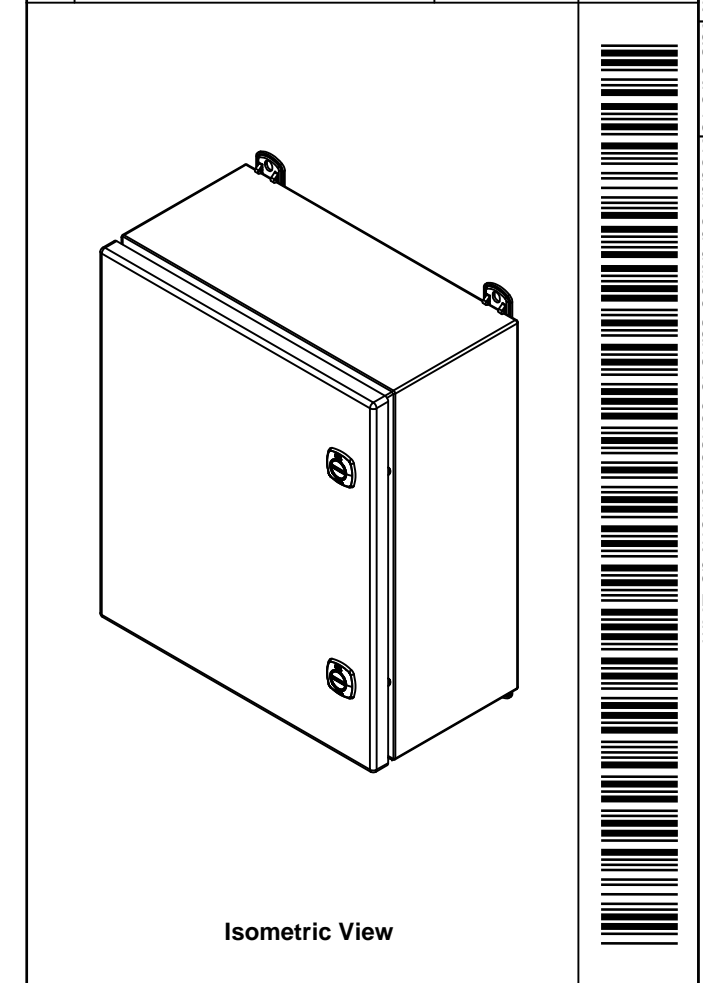
 Tél: (450) 979-4373 Fax: (450) 979-4626 <a href="http://www.exmweb.com">www.exmweb.com</a>		Flatness Aplatissement Max 3.0mm Projection 
Customer Client	Date	Date
Drawn By Dessiné Par	BoxCad: BoxCad	Date 23-Oct-19
Material Matière	16 Ga Stainless Steel 316 (1.4mm)	
Color Couleur	Unpainted	Finish Fini Brushed
Description	Detail Rev.	
5412ESSM 14" x 12" x 6" Assembly		
Part Number Numéro Pièce	Rev.	
5412ESSM1412066	0	1 2

This drawing is confidential and must not be reproduced or used without the consent of EXM

Ce dessin est confidentiel et ne doit pas être reproduit ou utilisé sans le consentement de EXM

NOTE	
ITEM	DESCRIPTION
1	NEMA 4X Enclosure
2	C/W Standard ground standoffs on box and cover
3	W/O Standard door stiffener
4	C/W Standard inner panel (Included)
5	C/W Standard inner panel mounting standoffs
6	C/W 885 ESCHMF2 Mounting Feet (Installed)

No.	Revisions	Date	By/Par



	Tél: (450) 979-4373 Fax: (450) 979-4626 <a href="http://www.exmweb.com">www.exmweb.com</a>	Flatness Aplatissement
		Max 3.0mm
Projection		
Customer Client	Date	
Drawn By Dessiné Par	BoxCad: BoxCad	Date 23-Oct-19
Material Matière	16 Ga Stainless Steel 316 (1.4mm)	

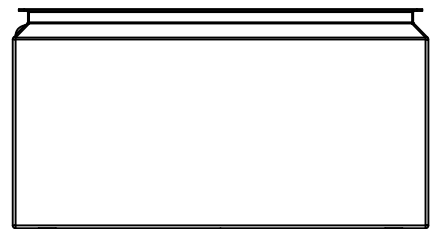
Color Couleur	Unpainted	Finish Fini	Brushed
Description	5412ESSM 14" x 12" x 6" Assembly		Detail Rev.
Part Number Numéro Pièce	<b>5412ESSM1412066</b>		Rev. 2
			0

Qty	Part Number	Rev	Description
1	5412ESSM1412066C	0	5412ESSM 14" x 12" Cover
1	885 ESSCHMFQ	0	5412 ESSCH Mounting Feet Accessory Kit
1	880 SP1412G	0	880 SP1412G - Inner Panel
1	STK-K-02910	3	5412 ESCH Accessory Kit
1	5412ESSM1412066B	0	5412ESSM 14" x 12" x 6" Body
2	STK-Q-08100	1	M5 Nylon Insert Lock Nut
Parts List			

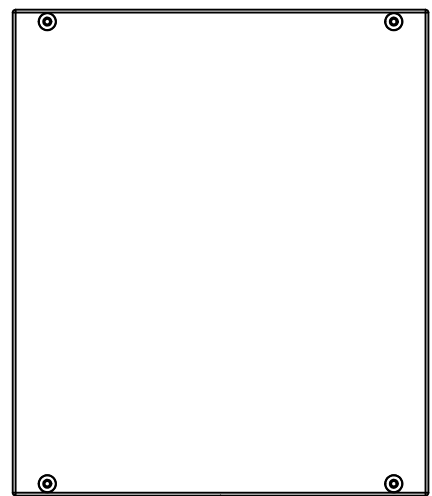
PACKING		
ITEM	QTY	DESCRIPTION
STK-E-04322	1	CARTON 5412 ESCH141206
Plastic bag	1	To protect cover surface and inside gasket
Packaging label	1	White label with product number
STK-S-01100	1	ESCH EXM SQUARE STICKER

This drawing is confidential and must not be reproduced or used without the consent of EXM

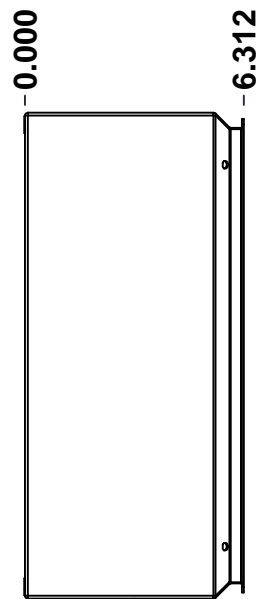
Ce dessin est confidentiel et ne doit pas être reproduit ou utilisé sans le consentement de EXM



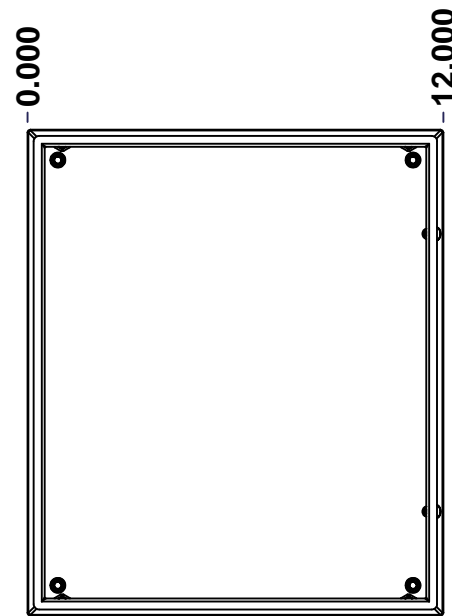
TOP



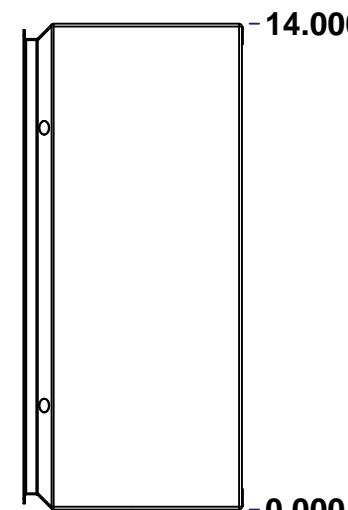
BACK



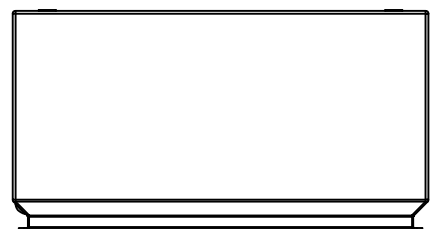
LEFT



FRONT

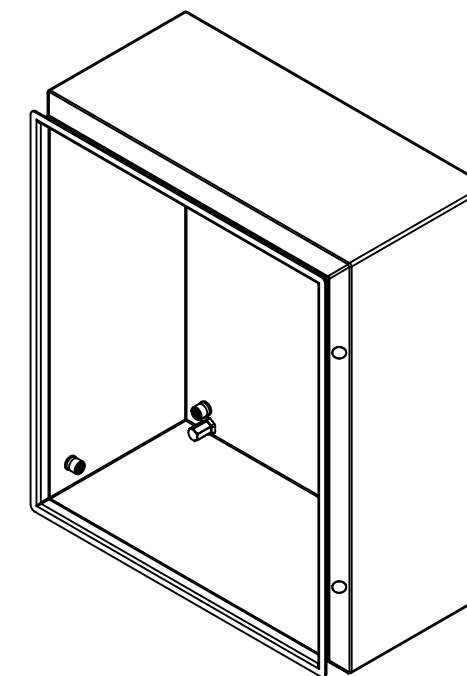


RIGHT



BOTTOM

No.	Revisions	Date	By/Par



Isometric View



Tél: (450) 979-4373  
 Fax: (450) 979-4626  
[www.exmweb.com](http://www.exmweb.com)

Flatness  
Aplatissement

Max 3.0mm

Projection



Customer Client	Date
Drawn By / Dessiné Par: BoxCad: BoxCad	Date: 23-Oct-19
Material / Matière: 16 Ga Stainless Steel 316 (1.4mm)	
Color / Couleur: Unpainted	Finish / Fini: Brushed
Description: 5412ESSM 14" x 12" x 6" Body	Detail Rev.
Part Number / Numéro Pièce: 5412ESSM1412066B	Rev. 0

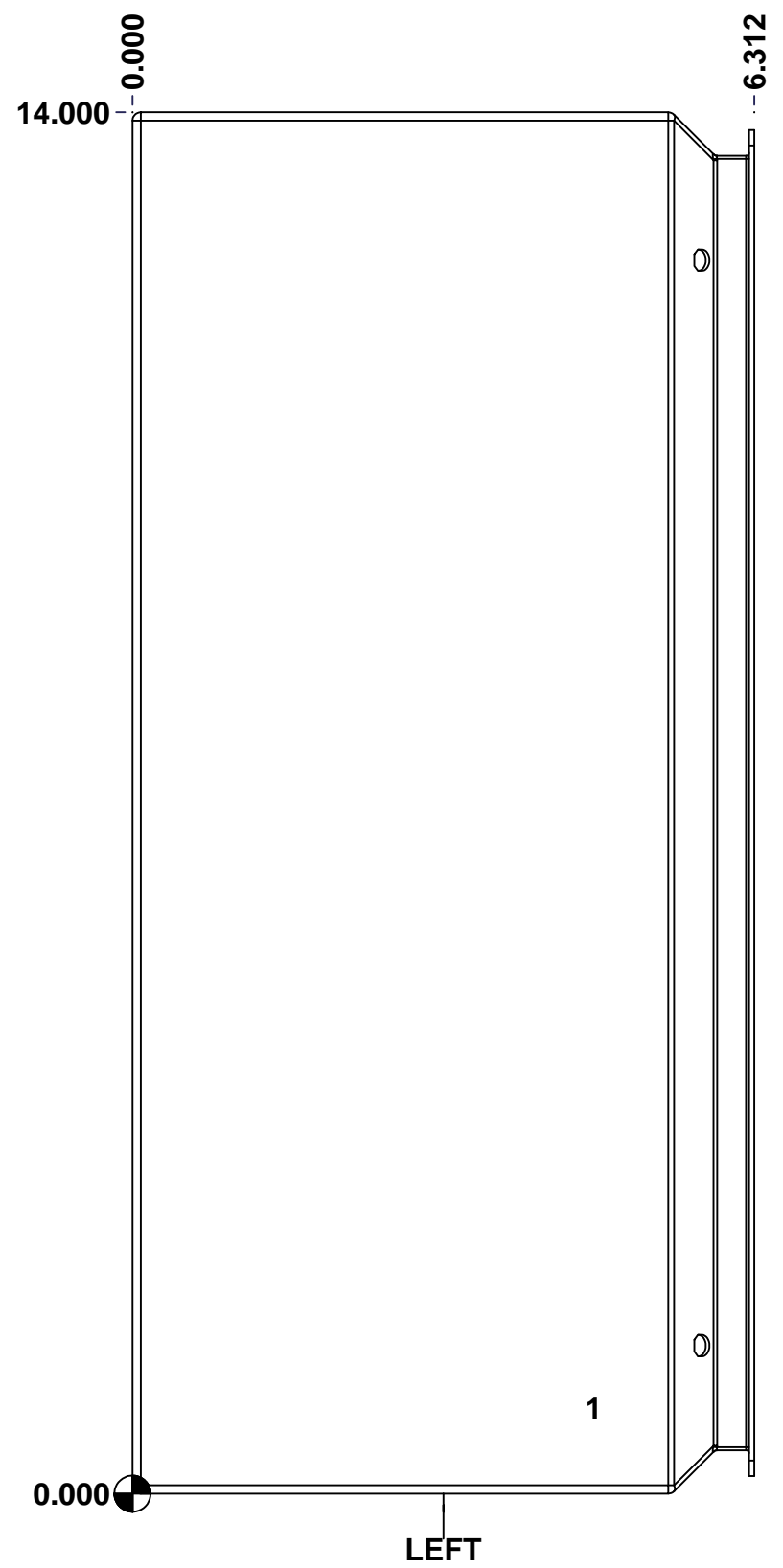
SEE BILL OF MATERIAL ON LAST PAGE

1  
7

This drawing is confidential and must not be reproduced or used without the consent of EXM

Ce dessin est confidentiel et ne doit pas être reproduit ou utilisé sans le consentement de EXM

<b>STANDARD FEATURES ARE NOT LISTED IN THIS HOLE TABLE</b>			
<b>HOLE TABLE - LEFT VIEW (CUSTOM FEATURE ONLY)</b>			
CUT-OUT	XDIM	YDIM	DESCRIPTION
1	4.625	0.875	STANDOFF M6 x 10mm (Inside)

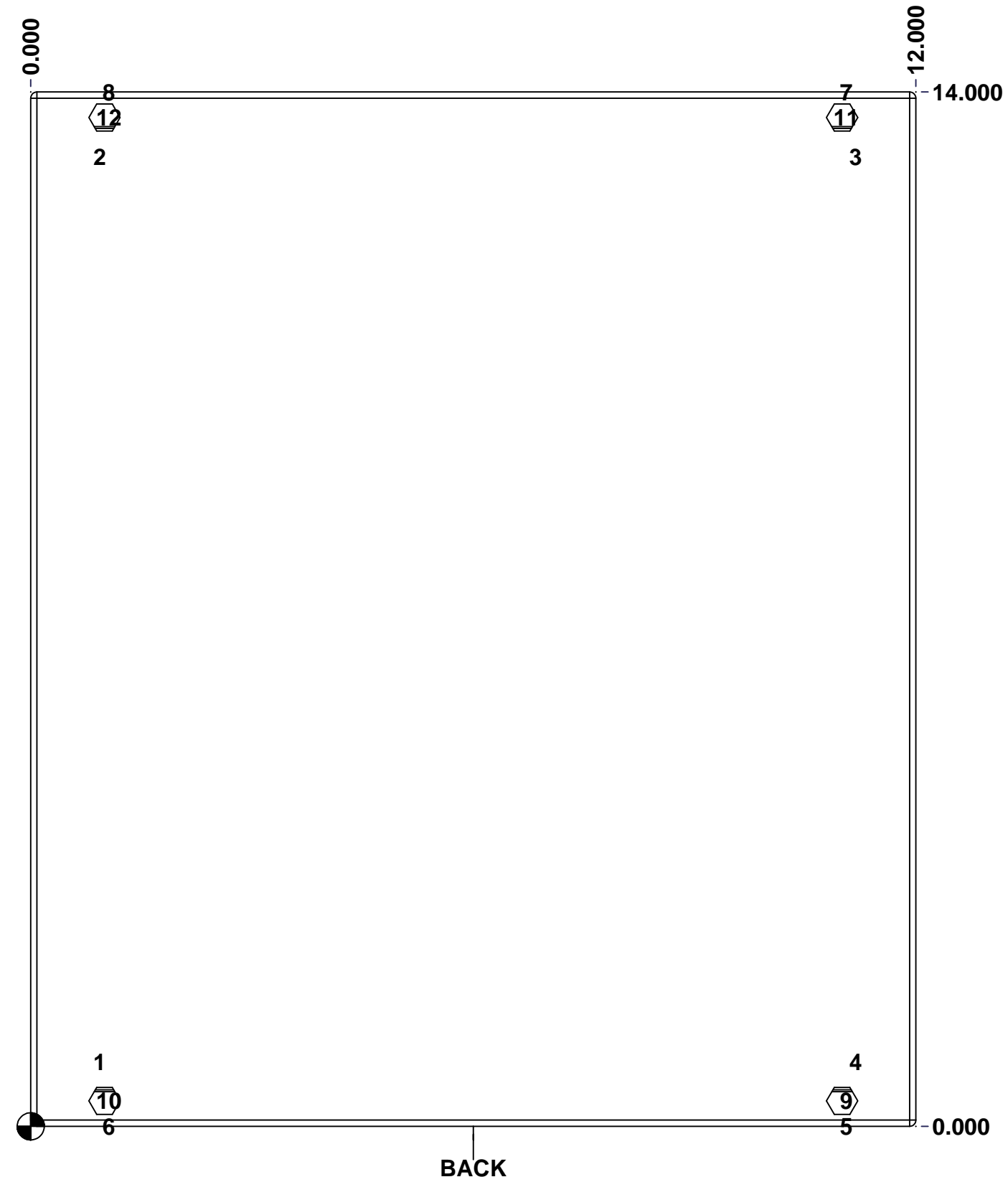


	Description	Status	
	5412ESSM 14" x 12" x 6" Body	(NULL)	
	Part Number Numéro Pièce	Rev.	
	<b>5412ESSM1412066B</b>	<b>0</b>	5 / 7

This drawing is confidential and must not be reproduced or used without the consent of EXM

Ce dessin est confidentiel et ne doit pas être reproduit ou utilisé sans le consentement de EXM

STANDARD FEATURES ARE NOT LISTED IN THIS HOLE TABLE			
HOLE TABLE - BACK VIEW (CUSTOM FEATURE ONLY)			
CUT-OUT	XDIM	YDIM	DESCRIPTION
1	0.875	0.875	IP STANDOFF M6 x 10mm (Inside)
2	0.875	13.125	IP STANDOFF M6 x 10mm (Inside)
3	11.125	13.125	IP STANDOFF M6 x 10mm (Inside)
4	11.125	0.875	IP STANDOFF M6 x 10mm (Inside)
-----			
5	11.000	0.000	FOOT 885 ESCHMF2
6	1.000	0.000	FOOT 885 ESCHMF2
7	11.000	14.000	FOOT 885 ESCHMF2
8	1.000	14.000	FOOT 885 ESCHMF2
9	11.000	0.344	RIVET NUT M6_FH_CE (Inside)
10	1.000	0.344	RIVET NUT M6_FH_CE (Inside)
11	11.000	13.656	RIVET NUT M6_FH_CE (Inside)
12	1.000	13.656	RIVET NUT M6_FH_CE (Inside)

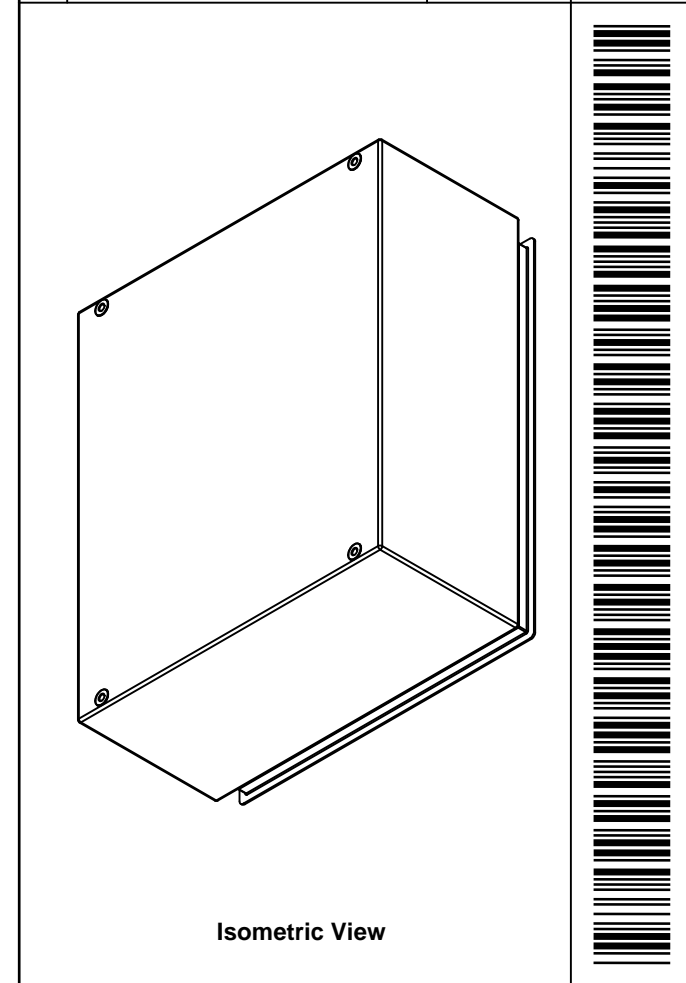



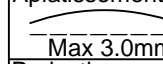
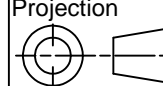
	Description	Status
	5412ESSM 14" x 12" x 6" Body	(NULL)
	Part Number Numéro Pièce	Rev.
	<b>5412ESSM1412066B</b>	<b>0</b>
		6
		7

This drawing is confidential and must not be reproduced or used without the consent of EXM

Ce dessin est confidentiel et ne doit pas être reproduit ou utilisé sans le consentement de EXM

No.	Revisions	Date	By/Par

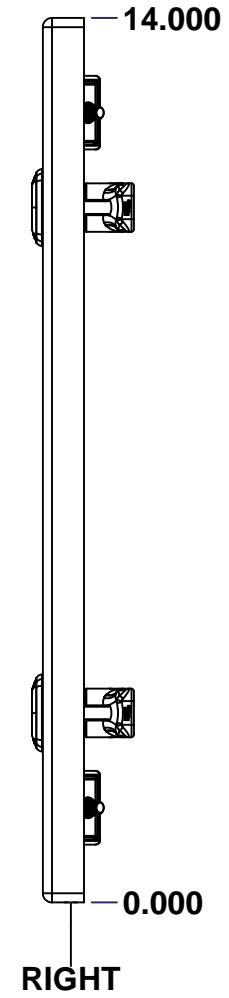
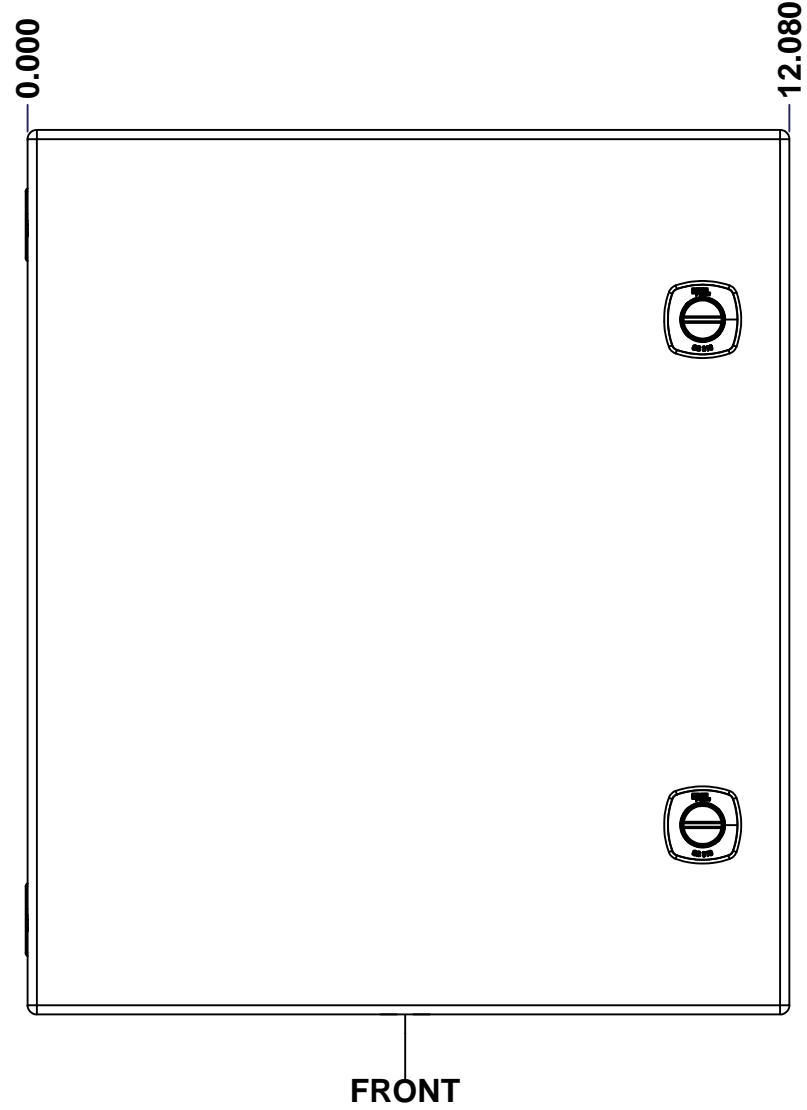
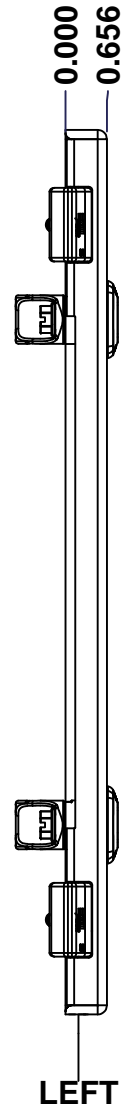
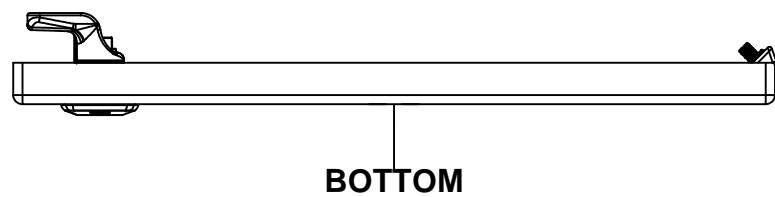
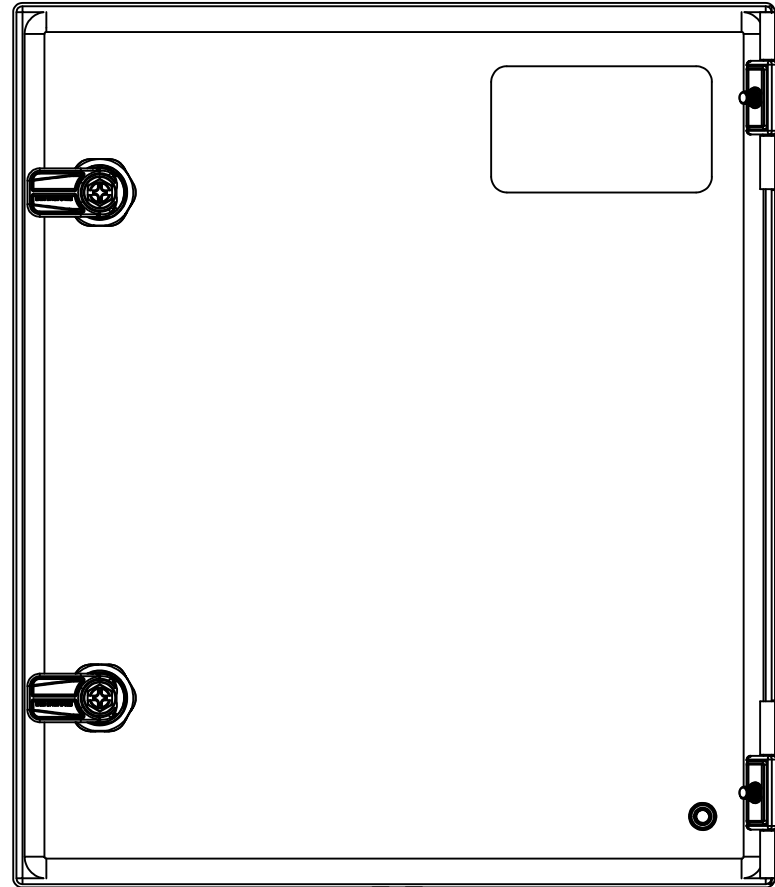
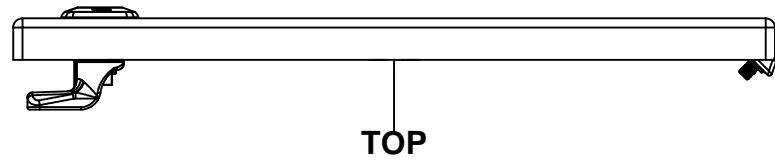


 Tél: (450) 979-4373 Fax: (450) 979-4626 <a href="http://www.exmweb.com">www.exmweb.com</a>		Flatness Aplatissement  Max 3.0mm Projection 
Customer Client	Date	
Drawn By Dessiné Par	BoxCad: BoxCad	Date 23-Oct-19
Material Matière	16 Ga Stainless Steel 316 (1.4mm)	
Color Couleur	Unpainted	Finish Fini Brushed
Description		Detail Rev.
5412ESSM 14" x 12" x 6" Body		
Part Number Numéro Pièce	Rev.	7
<b>5412ESSM1412066B</b>	<b>0</b>	7

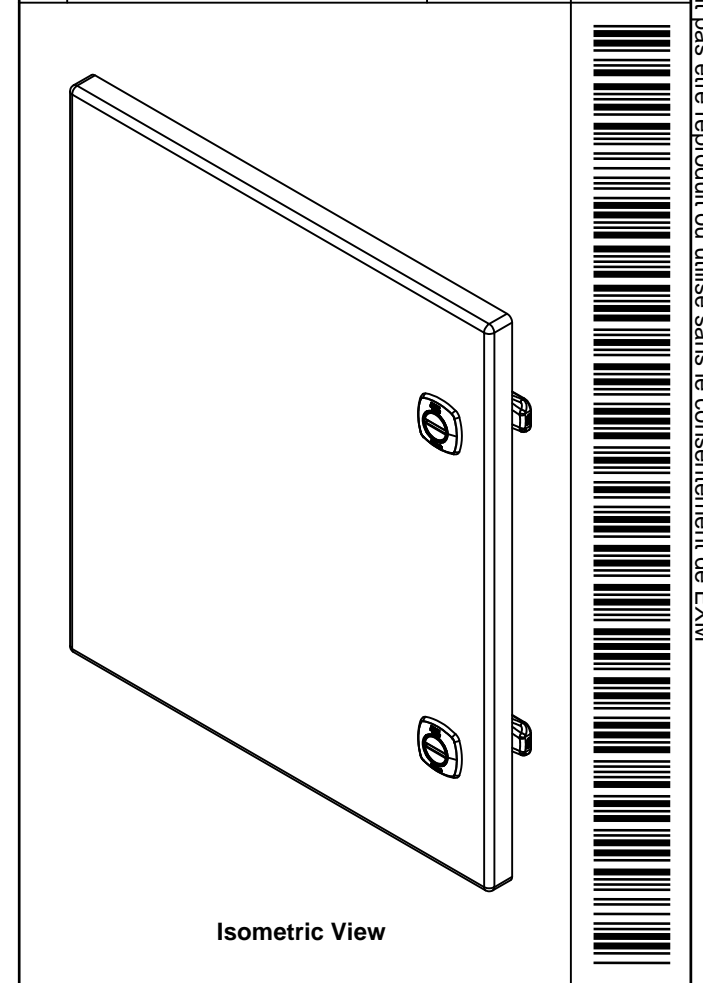
Qty	Part Number	Rev	Description
4	RIVET_NUT_SS_M6_FH_CE	0	Stainless Steel Rivet Nut M6 (Low Profile Close End)
2	STK-Q-00200	0	M5 x 8mm Stainless Steel 316 Carriage Bolt with Nyseal
1	5412ESSM1412066B-P	0	5412ESSM 14" x 12" x 6" Body Part
2	STK-Q-08112	3	M5 Stainless Steel 304 Nylon Insert Dome Nut
5	STK-Q-08500	4	Stainless Steel Standoff M6 x 10mm
Parts List			


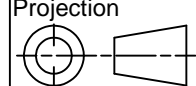
This drawing is confidential and must not be reproduced or used without the consent of EXM

Ce dessin est confidentiel et ne doit pas être reproduit ou utilisé sans le consentement de EXM



No.	Revisions	Date	By/Par



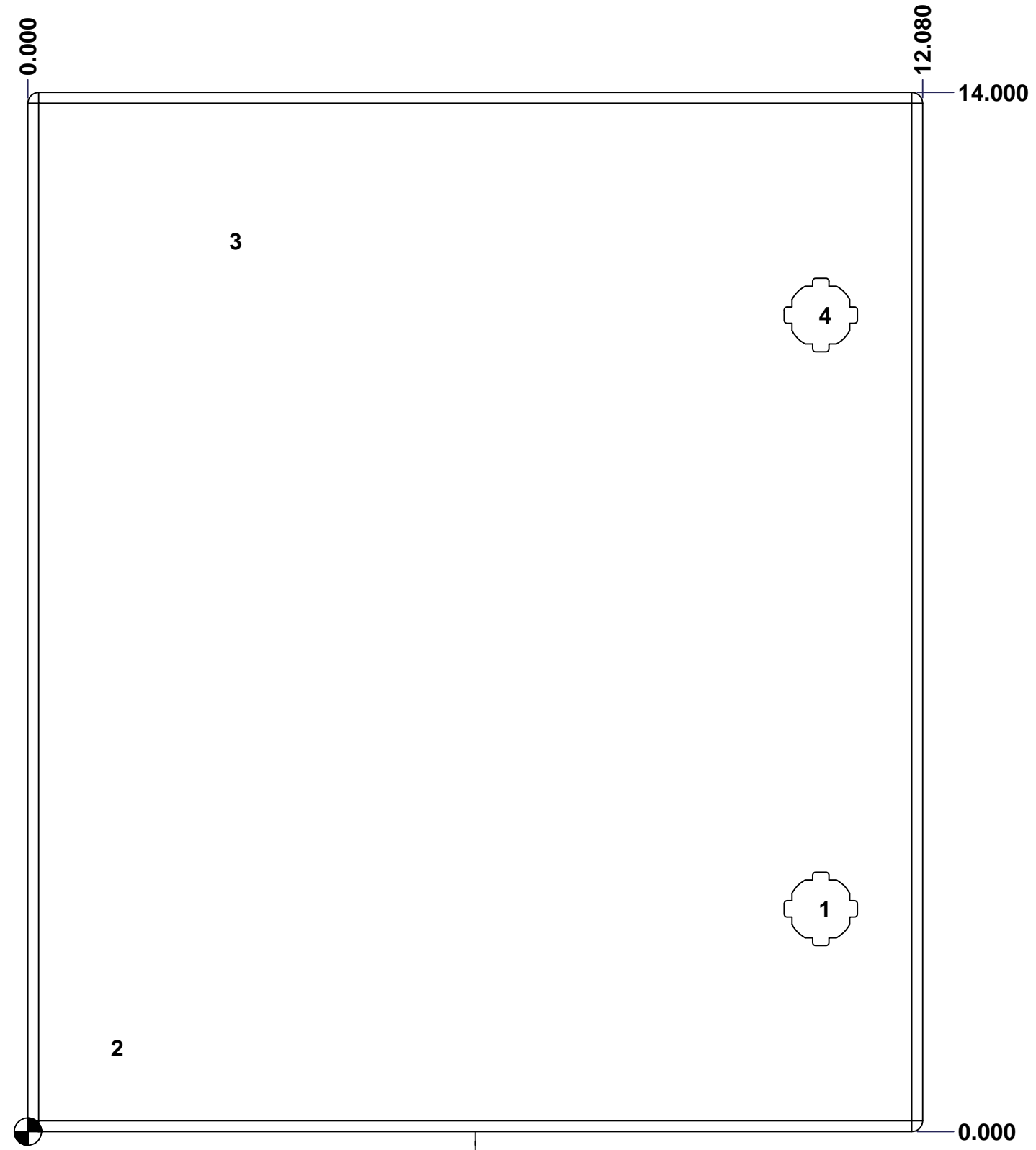
 Tél: (450) 979-4373 Fax: (450) 979-4626 <a href="http://www.exmweb.com">www.exmweb.com</a>		Flatness Aplatissement	
		Max 3.0mm	
Customer Client		Date	
Drawn By Dessiné Par BoxCad: BoxCad		Date 23-Oct-19	
Material Matière 16 Ga Stainless Steel 316 (1.4mm)		Projection	
Color Couleur Unpainted		 Finish Fini Brushed	
Description 5412ESSM 14" x 12" Cover		Detail Rev.	
Part Number Numéro Pièce <b>5412ESSM1412066C</b>		Rev. <b>0</b>	1 3

**SEE BILL OF MATERIAL ON LAST PAGE**

This drawing is confidential and must not be reproduced or used without the consent of EXM

Ce dessin est confidentiel et ne doit pas être reproduit ou utilisé sans le consentement de EXM

STANDARD FEATURES ARE NOT LISTED IN THIS HOLE TABLE			
HOLE TABLE - FRONT VIEW (CUSTOM FEATURE ONLY)			
CUT-OUT	XDIM	YDIM	DESCRIPTION
1	10.705	3.000	LOCK 880 SCQ4-SLSS6 @ 0.0°
2	1.145	1.125	STANDOFF M6 x 10mm (Inside)
3	2.750	12.000	LABEL_EXM
4	10.705	11.000	LOCK 880 SCQ4-SLSS6 @ 0.0°



FRONT

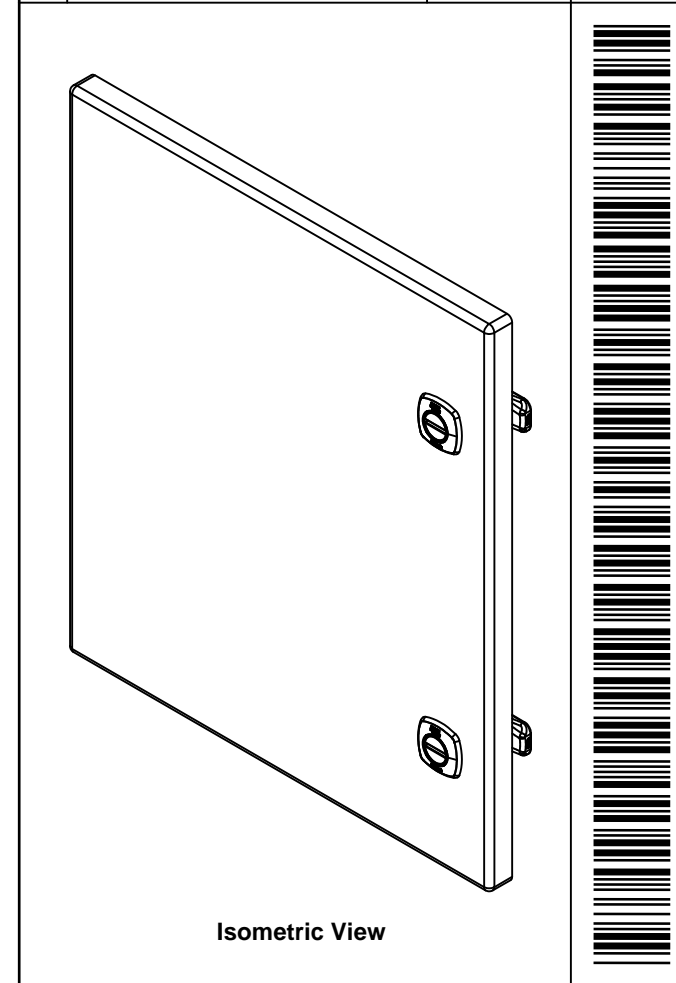
	Description	Status	
	5412ESSM 14" x 12" Cover	(NULL)	
	Part Number Numéro Pièce	Rev.	
	<b>5412ESSM1412066C</b>	<b>0</b>	2 3



This drawing is confidential and must not be reproduced or used without the consent of EXM

Ce dessin est confidentiel et ne doit pas être reproduit ou utilisé sans le consentement de EXM

No.	Revisions	Date	By/Par

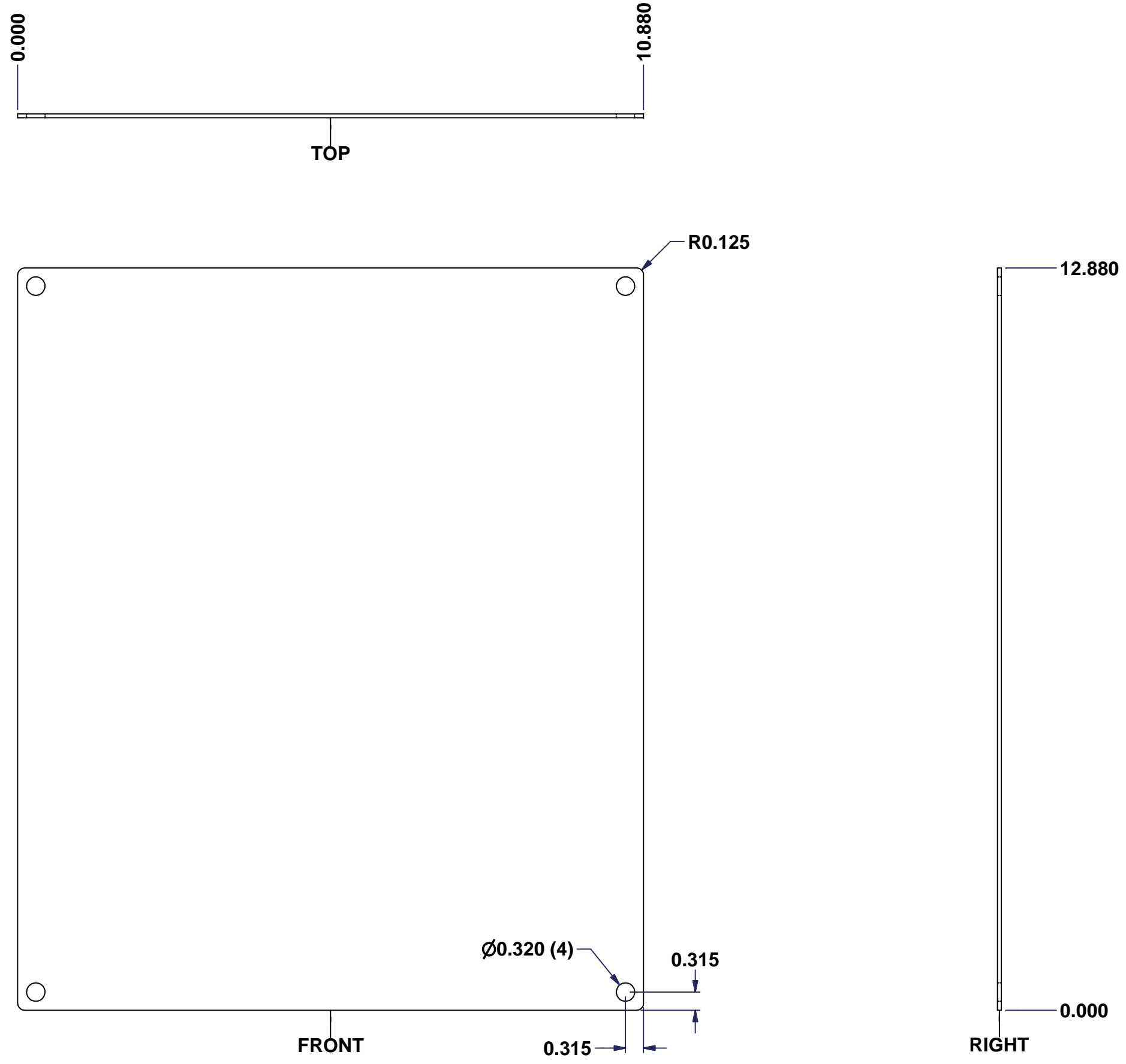


 Tél: (450) 979-4373 Fax: (450) 979-4626 <a href="http://www.exmweb.com">www.exmweb.com</a>		Flatness Aplatissement Max 3.0mm Projection 
Customer Client	Date	
Drawn By Dessiné Par	BoxCad: BoxCad	Date 23-Oct-19
Material Matière	16 Ga Stainless Steel 316 (1.4mm)	
Color Couleur	Unpainted	Finish Fini Brushed
Description		Detail Rev.
5412ESSM 14" x 12" Cover		
Part Number Numéro Pièce	Rev. 3	3
<b>5412ESSM1412066C</b>	<b>0</b>	<b>3</b>

Qty	Part Number	Rev	Description
1	5412ESSM1412066G	0	5412ESSM 14" x 12" Gasket
1	STK-S-00100	0	3.5" x 2" Silver Milar Flexcon Sticker
1	STK-Q-08500	4	Stainless Steel Standoff M6 x 10mm
1	5412ESSM1412066C-P	0	5412ESSM 14" x 12" Cover Part
2	STK-A-33038	3	5412 ESSMCH - Stainless Steel Hinge
2	880 SCQ4-SLSS6	7	5412 ESS 1/4 Turn Lock
Parts List			


This drawing is confidential and must not be reproduced or used without the consent of EXM


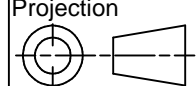
Ce dessin est confidentiel et ne doit pas être reproduit ou utilisé sans le consentement de EXM



No.	Revisions	Date	By/Par

**Isometric View**



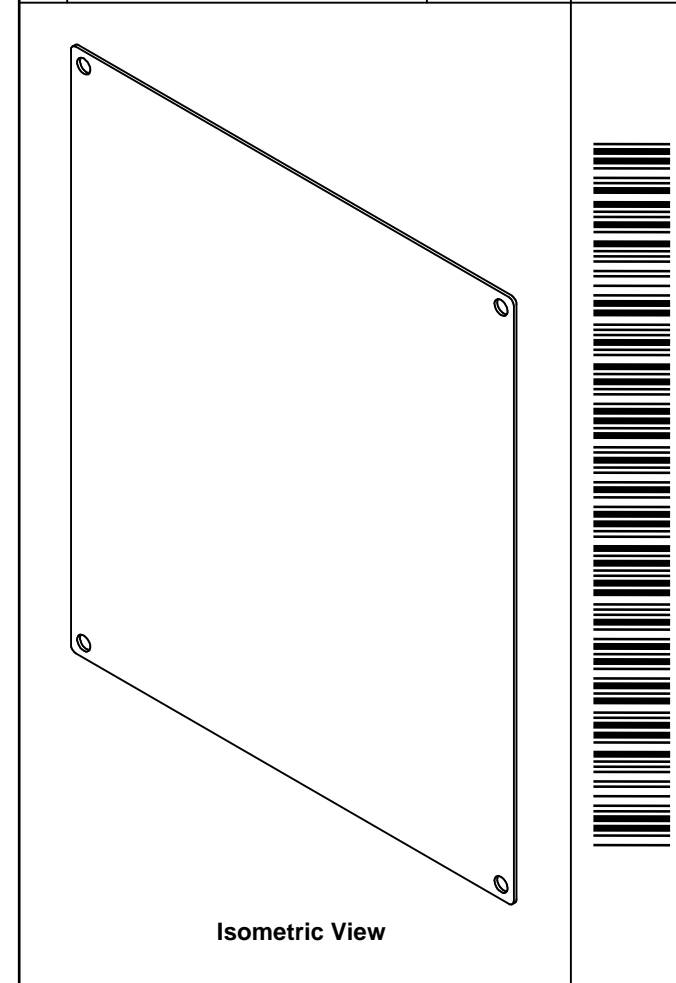
 Tél: (450) 979-4373 Fax: (450) 979-4626 www.exmweb.com		Flatness Aplatissement Max 3.0mm	
		Projection 	
Customer Client		Date	
Drawn By / Dessiné Par: BoxCad		Date: 23-Jan-07	
Material / Matière: 14 Ga Galvanized (1.7mm)			
Color / Couleur: Unpainted		Finish / Fini: Galvanized	
Description: 880 SP1412G - Inner Panel			Detail Rev.
Part Number / Numéro Pièce: <b>880 SP1412G</b>		Rev. <b>0</b>	1 / 2


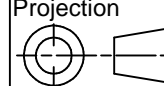
**SEE BILL OF MATERIAL ON LAST PAGE**

This drawing is confidential and must not be reproduced or used without the consent of EXM

Ce dessin est confidentiel et ne doit pas être reproduit ou utilisé sans le consentement de EXM

No.	Revisions	Date	By/Par



 Tél: (450) 979-4373 Fax: (450) 979-4626 www.exmweb.com		Flatness Aplatissement Max 3.0mm
Customer Client		Projection 
Drawn By Dessiné Par BoxCad		Date 23-Jan-07
Material Matière 14 Ga Galvanized (1.7mm)		
Color Couleur Unpainted	Finish Fini Galvanized	
Description 880 SP1412G - Inner Panel		Detail Rev.
Part Number Numéro Pièce <b>880 SP1412G</b>		Rev. 2 <b>0</b>

Qty	Part Number	Rev	Description
1	880 SP1412G-P	0	880 SP1412G - Inner Panel Part
Parts List			