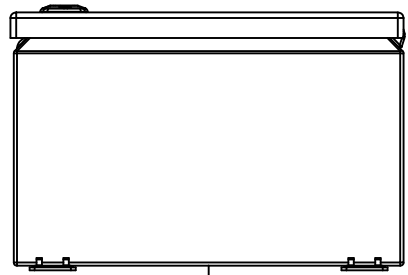
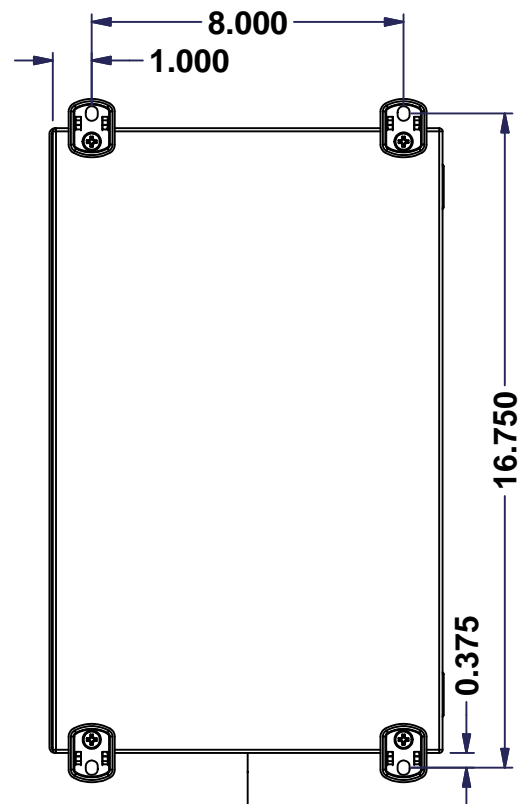


This drawing is confidential and must not be reproduced or used without the consent of EXM

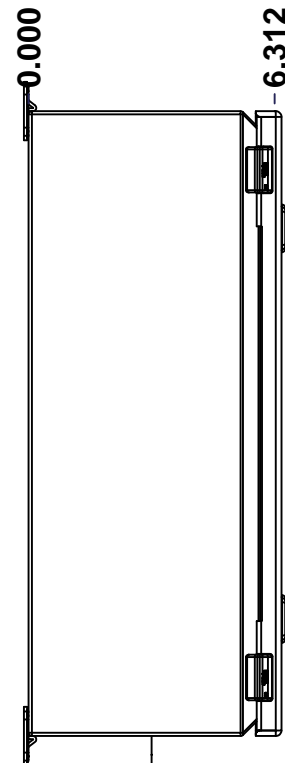
Ce dessin est confidentiel et ne doit pas être reproduit ou utilisé sans le consentement de EXM



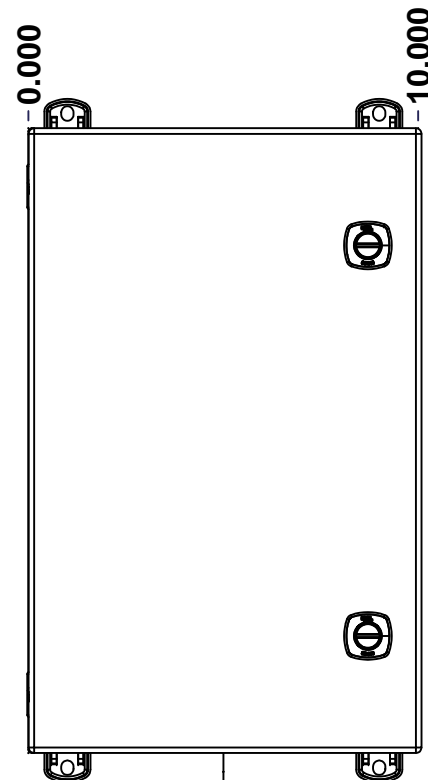
TOP



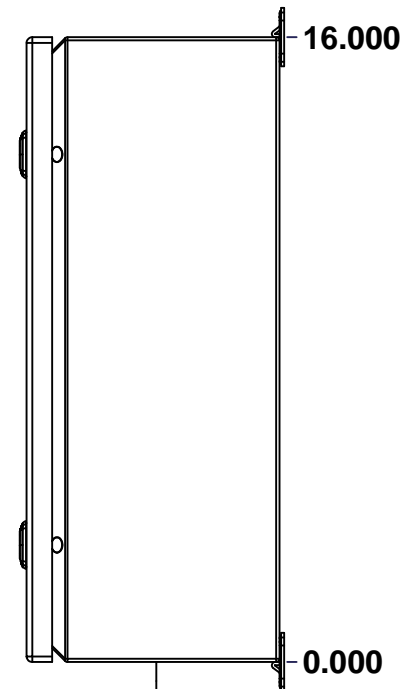
BACK



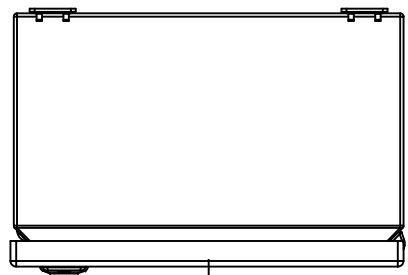
LEFT



FRONT

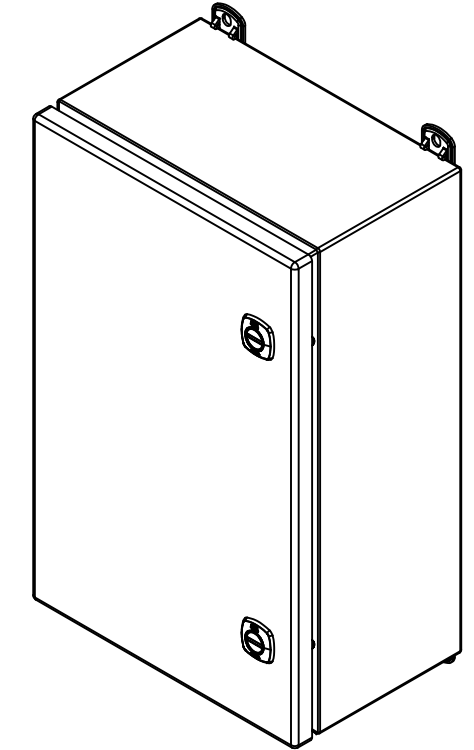


RIGHT



BOTTOM

| No. | Revisions | Date | By/Par |
|-----|-----------|------|--------|
| | | | |
| | | | |
| | | | |
| | | | |


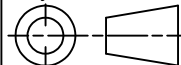


Isometric View



**GRAIN DIRECTION:
TOP/BOTTOM: HORIZONTAL
LEFT/RIGHT/BACK/FRONT: VERTICAL**

SEE BILL OF MATERIAL ON LAST PAGE

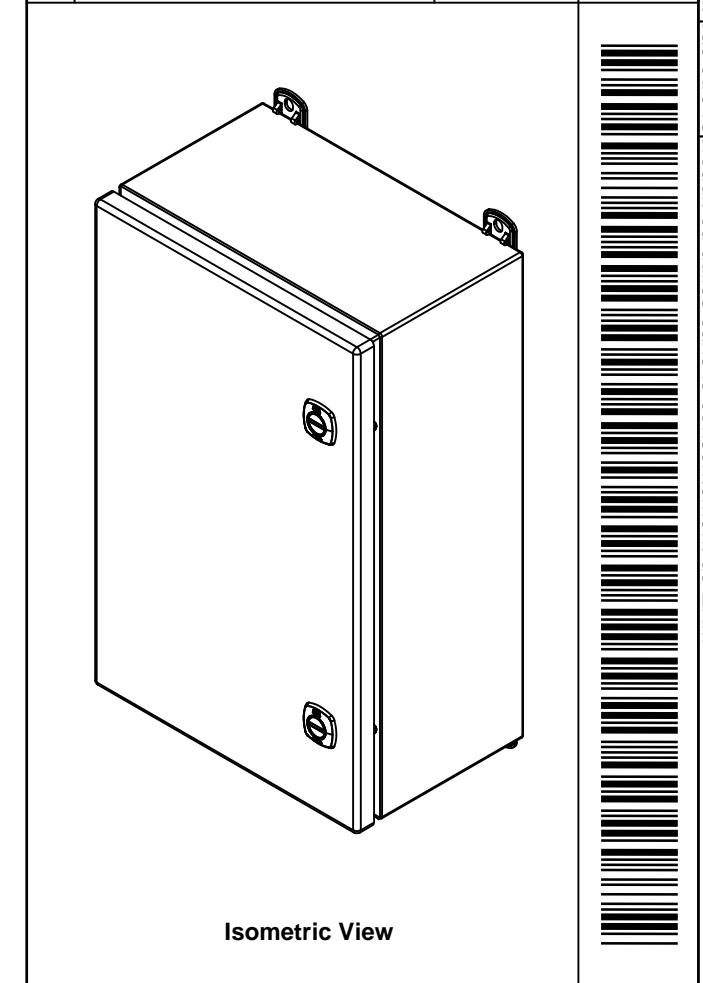
| | | |
|--|-----------------------------------|---|
|  Tél: (450) 979-4373 Fax: (450) 979-4626 www.exmweb.com | | Flatness Aplatissement Max 3.0mm Projection  |
| Customer Client | Date | Date |
| Drawn By Dessiné Par | BoxCad: BoxCad | Date 23-Oct-19 |
| Material Matière | 16 Ga Stainless Steel 316 (1.4mm) | |
| Color Couleur | Unpainted | Finish Fini Brushed |
| Description | Detail Rev. | |
| 5412ESSM 16" x 10" x 6" Assembly | | |
| Part Number Numéro Pièce | Rev. | |
| 5412ESSM1610066 | 0 | 1 2 |


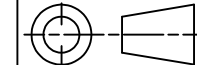
This drawing is confidential and must not be reproduced or used without the consent of EXM

Ce dessin est confidentiel et ne doit pas être reproduit ou utilisé sans le consentement de EXM

| NOTE | |
|------|--|
| ITEM | DESCRIPTION |
| 1 | NEMA 4X Enclosure |
| 2 | C/W Standard ground standoffs on box and cover |
| 3 | W/O Standard door stiffener |
| 4 | C/W Standard inner panel (Included) |
| 5 | C/W Standard inner panel mounting standoffs |
| 6 | C/W 885 ESCHMF2 Mounting Feet (Installed) |

| No. | Revisions | Date | By/Par |
|-----|-----------|------|--------|
| | | | |
| | | | |
| | | | |
| | | | |
| | | | |
| | | | |



| | | |
|--|-----------------------------------|---|
|  Tél: (450) 979-4373 Fax: (450) 979-4626 www.exmweb.com | | Flatness Aplatissement Max 3.0mm Projection  |
| Customer Client | Date | |
| Drawn By Dessiné Par | BoxCad: BoxCad | Date 23-Oct-19 |
| Material Matière | 16 Ga Stainless Steel 316 (1.4mm) | |
| Color Couleur | Unpainted | Finish Fini Brushed |
| Description | | Detail Rev. |
| 5412ESSM 16" x 10" x 6" Assembly | | |
| Part Number Numéro Pièce | 5412ESSM1610066 | Rev. 2 0 |

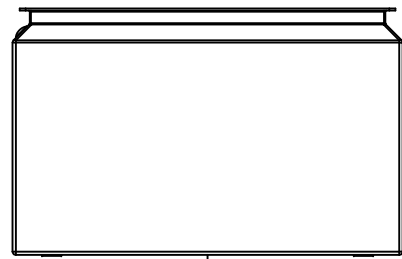
| PACKING | | |
|-----------------|-----|--|
| ITEM | QTY | DESCRIPTION |
| STK-E-04325 | 1 | CARTON 5412 ESCH161006 |
| Plastic bag | 1 | To protect cover surface and inside gasket |
| Packaging label | 1 | White label with product number |
| STK-S-01100 | 1 | ESCH EXM SQUARE STICKER |

| Qty | Part Number | Rev | Description |
|-----|------------------|-----|--|
| 1 | 5412ESSM1610066C | 0 | 5412ESSM 16" x 10" Cover |
| 1 | 885 ESSCHMFQ | 0 | 5412 ESSCH Mounting Feet Accessory Kit |
| 1 | 880 SP1610G | 0 | 880 SP1610G - Inner Panel |
| 1 | STK-K-02910 | 3 | 5412 ESCH Accessory Kit |
| 1 | 5412ESSM1610066B | 0 | 5412ESSM 16" x 10" x 6" Body |
| 2 | STK-Q-08100 | 1 | M5 Nylon Insert Lock Nut |

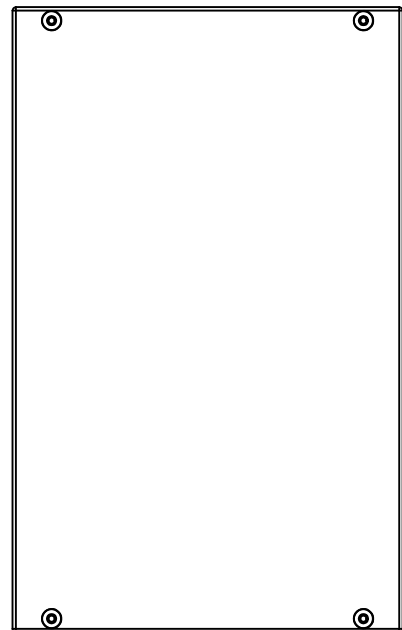
Parts List

This drawing is confidential and must not be reproduced or used without the consent of EXM

Ce dessin est confidentiel et ne doit pas être reproduit ou utilisé sans le consentement de EXM



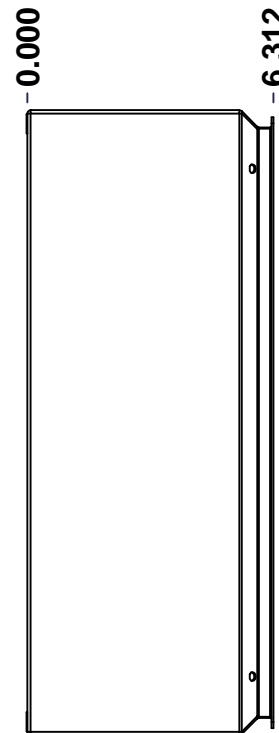
TOP



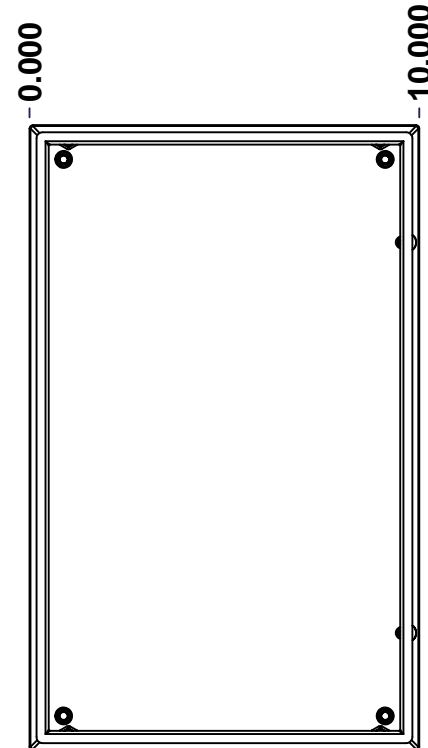
BACK



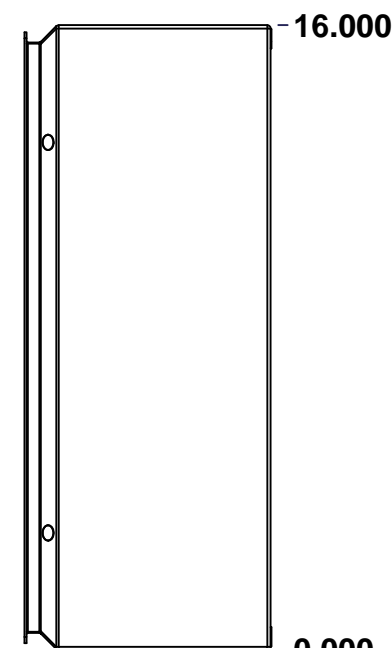
BOTTOM



LEFT

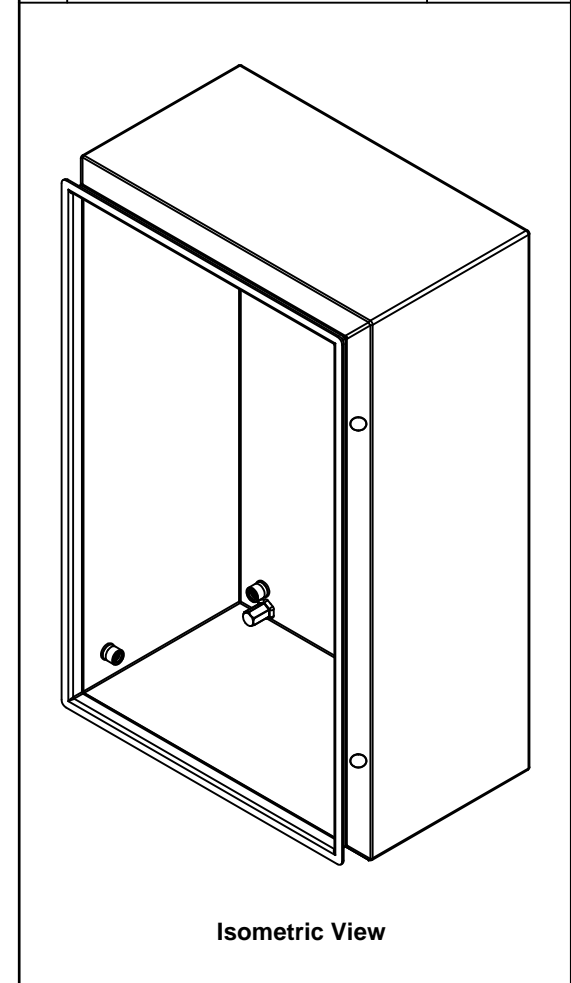


FRONT




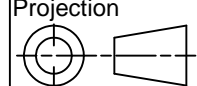
RIGHT

| No. | Revisions | Date | By/Par |
|-----|-----------|------|--------|
| | | | |
| | | | |
| | | | |
| | | | |



Isometric View



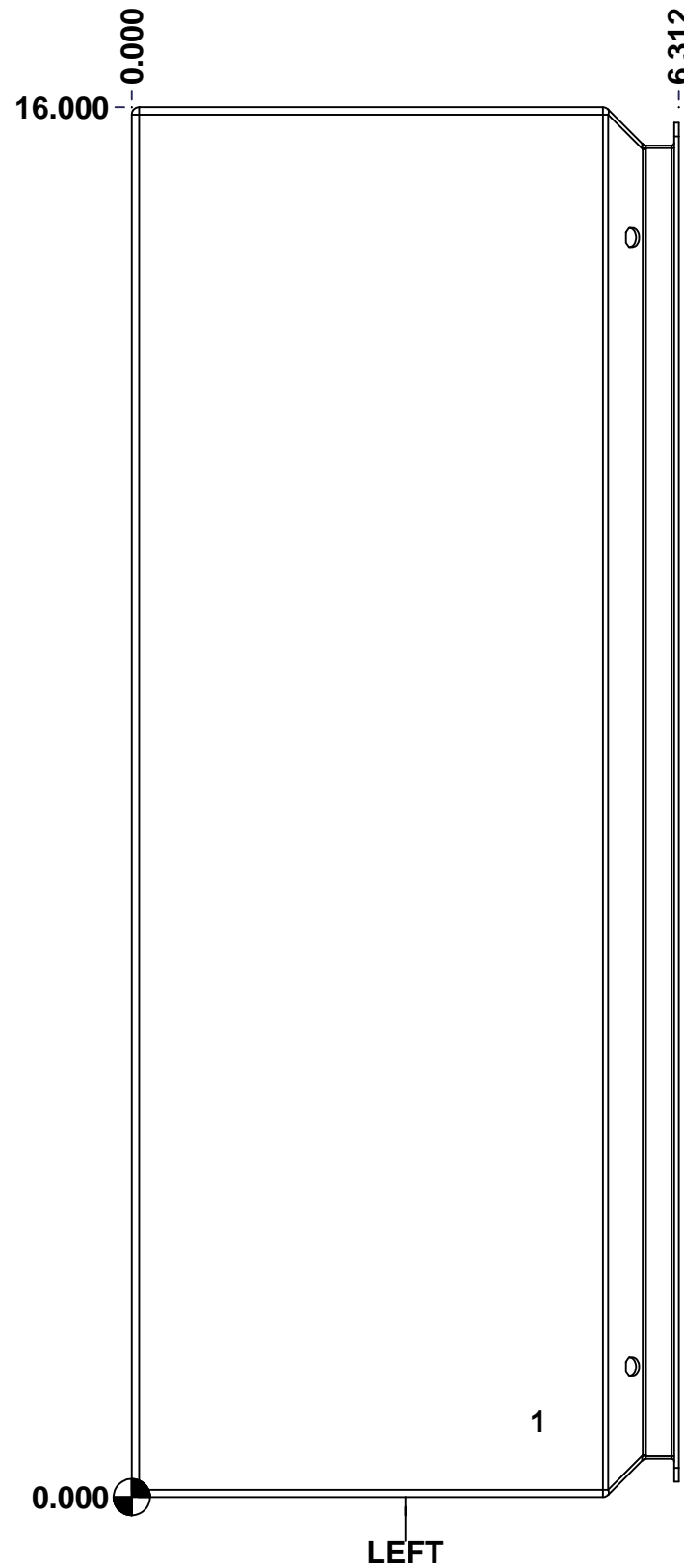
| | | |
|--|-----------------------------------|---|
|  Tél: (450) 979-4373 Fax: (450) 979-4626 www.exmweb.com | | Flatness Aplatissement Max 3.0mm Projection  |
| Customer Client | Date | |
| Drawn By Dessiné Par | BoxCad: BoxCad | Date 23-Oct-19 |
| Material Matière | 16 Ga Stainless Steel 316 (1.4mm) | |
| Color Couleur | Unpainted | Finish Fini Brushed |
| Description | Detail Rev. | |
| 5412ESSM 16" x 10" x 6" Body | | |
| Part Number Numéro Pièce | Rev. | 1 / 7 |
| 5412ESSM1610066B | 0 | |

SEE BILL OF MATERIAL ON LAST PAGE

This drawing is confidential and must not be reproduced or used without the consent of EXM

Ce dessin est confidentiel et ne doit pas être reproduit ou utilisé sans le consentement de EXM

| STANDARD FEATURES ARE NOT LISTED IN THIS HOLE TABLE | | | |
|--|-------|-------|-----------------------------|
| HOLE TABLE - LEFT VIEW (CUSTOM FEATURE ONLY) | | | |
| CUT-OUT | XDIM | YDIM | DESCRIPTION |
| 1 | 4.625 | 0.875 | STANDOFF M6 x 10mm (Inside) |



| | | | |
|--|------------------------------|----------|--------|
| | Description | Status | |
| | 5412ESSM 16" x 10" x 6" Body | (NULL) | |
| | Part Number Numéro Pièce | Rev. | 5 7 |
| | 5412ESSM1610066B | 0 | |

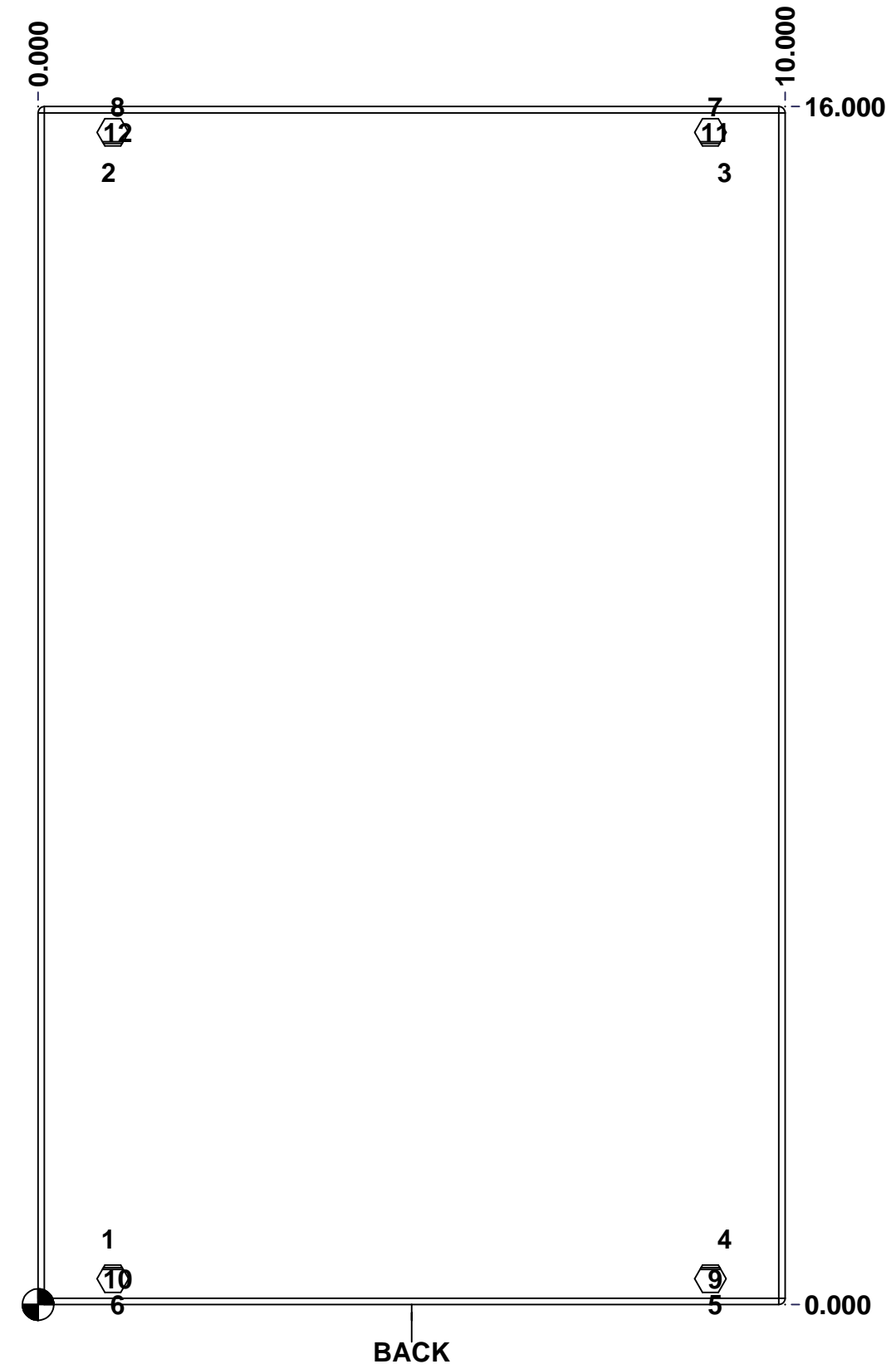
This drawing is confidential and must not be reproduced or used without the consent of EXM

Ce dessin est confidentiel et ne doit pas être reproduit ou utilisé sans le consentement de EXM

STANDARD FEATURES ARE NOT LISTED IN THIS HOLE TABLE

HOLE TABLE - BACK VIEW (CUSTOM FEATURE ONLY)

| CUT-OUT | XDIM | YDIM | DESCRIPTION |
|---------|-------|--------|--------------------------------|
| 1 | 0.875 | 0.875 | IP STANDOFF M6 x 10mm (Inside) |
| 2 | 0.875 | 15.125 | IP STANDOFF M6 x 10mm (Inside) |
| 3 | 9.125 | 15.125 | IP STANDOFF M6 x 10mm (Inside) |
| 4 | 9.125 | 0.875 | IP STANDOFF M6 x 10mm (Inside) |
| ----- | | | |
| 5 | 9.000 | 0.000 | FOOT 885 ESCHMF2 |
| 6 | 1.000 | 0.000 | FOOT 885 ESCHMF2 |
| 7 | 9.000 | 16.000 | FOOT 885 ESCHMF2 |
| 8 | 1.000 | 16.000 | FOOT 885 ESCHMF2 |
| 9 | 9.000 | 0.344 | RIVET NUT M6_FH_CE (Inside) |
| 10 | 1.000 | 0.344 | RIVET NUT M6_FH_CE (Inside) |
| 11 | 9.000 | 15.656 | RIVET NUT M6_FH_CE (Inside) |
| 12 | 1.000 | 15.656 | RIVET NUT M6_FH_CE (Inside) |

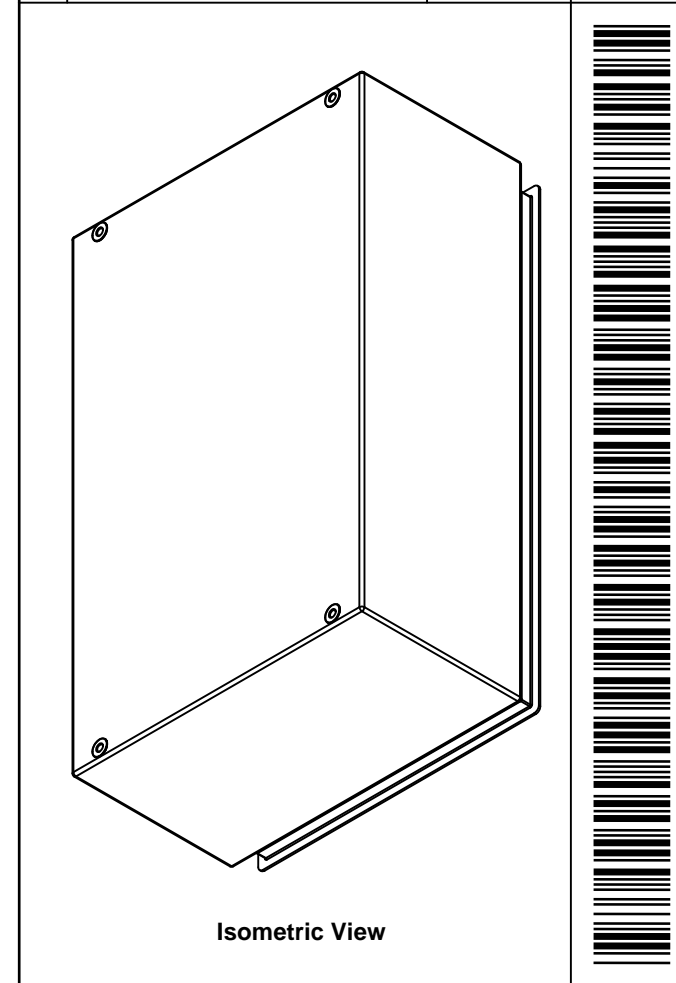


| | | |
|--|------------------------------|----------|
| | Description | Status |
| | 5412ESSM 16" x 10" x 6" Body | (NULL) |
| | Part Number Numéro Pièce | Rev. |
| | 5412ESSM1610066B | 0 |
| | | 6 |
| | | 7 |

This drawing is confidential and must not be reproduced or used without the consent of EXM

Ce dessin est confidentiel et ne doit pas être reproduit ou utilisé sans le consentement de EXM

| No. | Revisions | Date | By/Par |
|-----|-----------|------|--------|
| | | | |
| | | | |
| | | | |
| | | | |
| | | | |

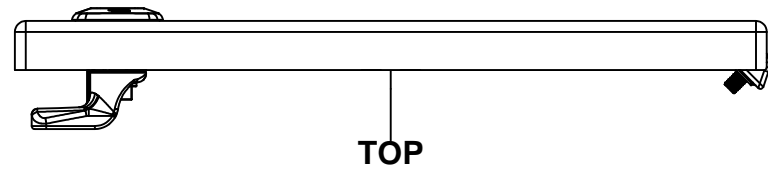


| | | |
|--|-----------------------------------|--|
|  Tél: (450) 979-4373 Fax: (450) 979-4626 www.exmweb.com | | Flatness Aplatissement  Max 3.0mm Projection  |
| Customer Client | Date | |
| Drawn By Dessiné Par | BoxCad: BoxCad | Date 23-Oct-19 |
| Material Matière | 16 Ga Stainless Steel 316 (1.4mm) | |
| Color Couleur | Unpainted | Finish Fini Brushed |
| Description | | Detail Rev. |
| 5412ESSM 16" x 10" x 6" Body | | |
| Part Number Numéro Pièce | Rev. | 7 |
| 5412ESSM1610066B | 0 | 7 |

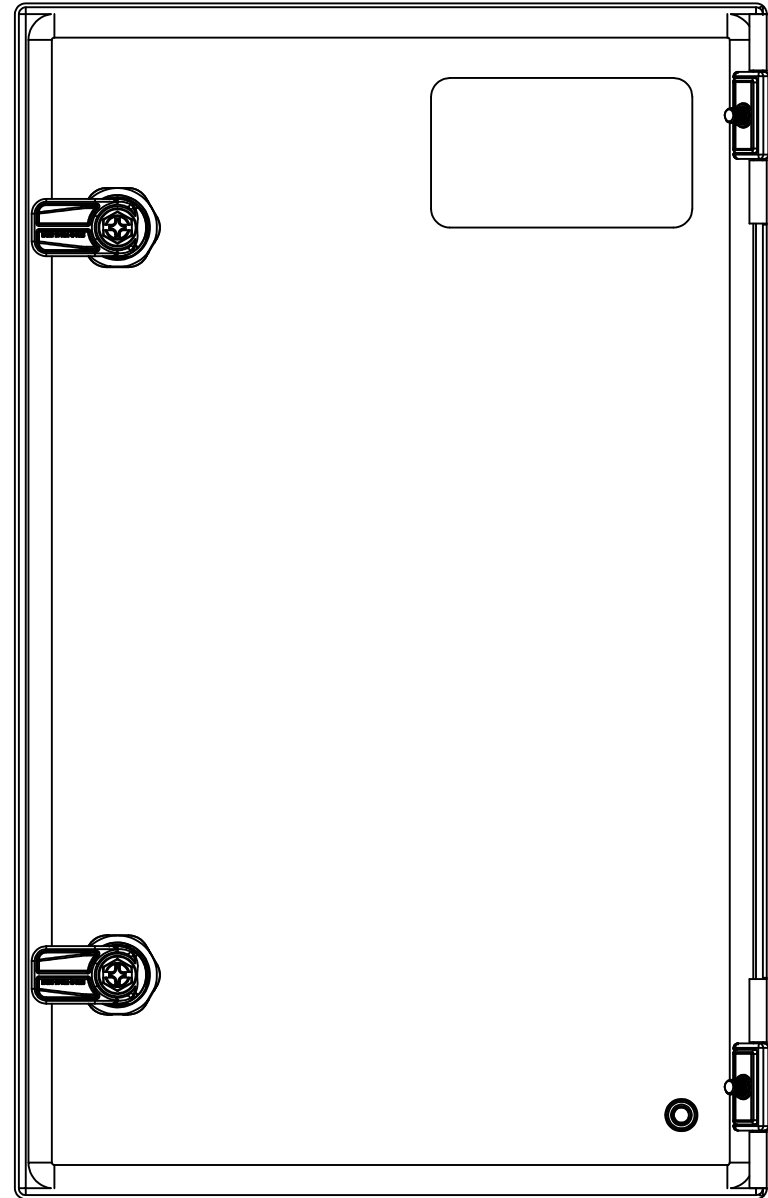
| Qty | Part Number | Rev | Description |
|------------|-----------------------|-----|--|
| 4 | RIVET_NUT_SS_M6_FH_CE | 0 | Stainless Steel Rivet Nut M6 (Low Profile Close End) |
| 2 | STK-Q-08112 | 3 | M5 Stainless Steel 304 Nylon Insert Dome Nut |
| 1 | 5412ESSM1610066B-P | 0 | 5412ESSM 16" x 10" x 6" Body Part |
| 2 | STK-Q-00200 | 0 | M5 x 8mm Stainless Steel 316 Carriage Bolt with Nyseal |
| 5 | STK-Q-08500 | 4 | Stainless Steel Standoff M6 x 10mm |
| Parts List | | | |

This drawing is confidential and must not be reproduced or used without the consent of EXM

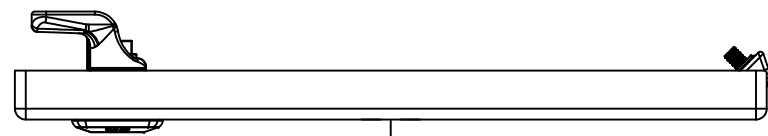
Ce dessin est confidentiel et ne doit pas être reproduit ou utilisé sans le consentement de EXM



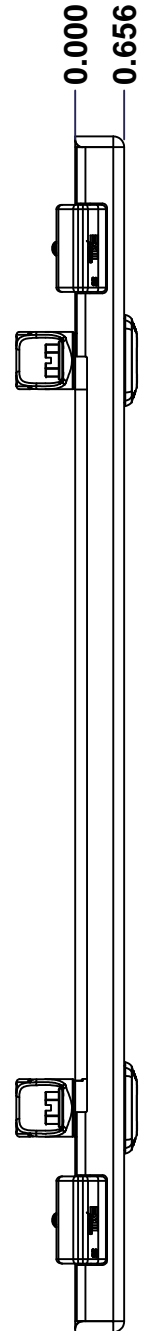
TOP



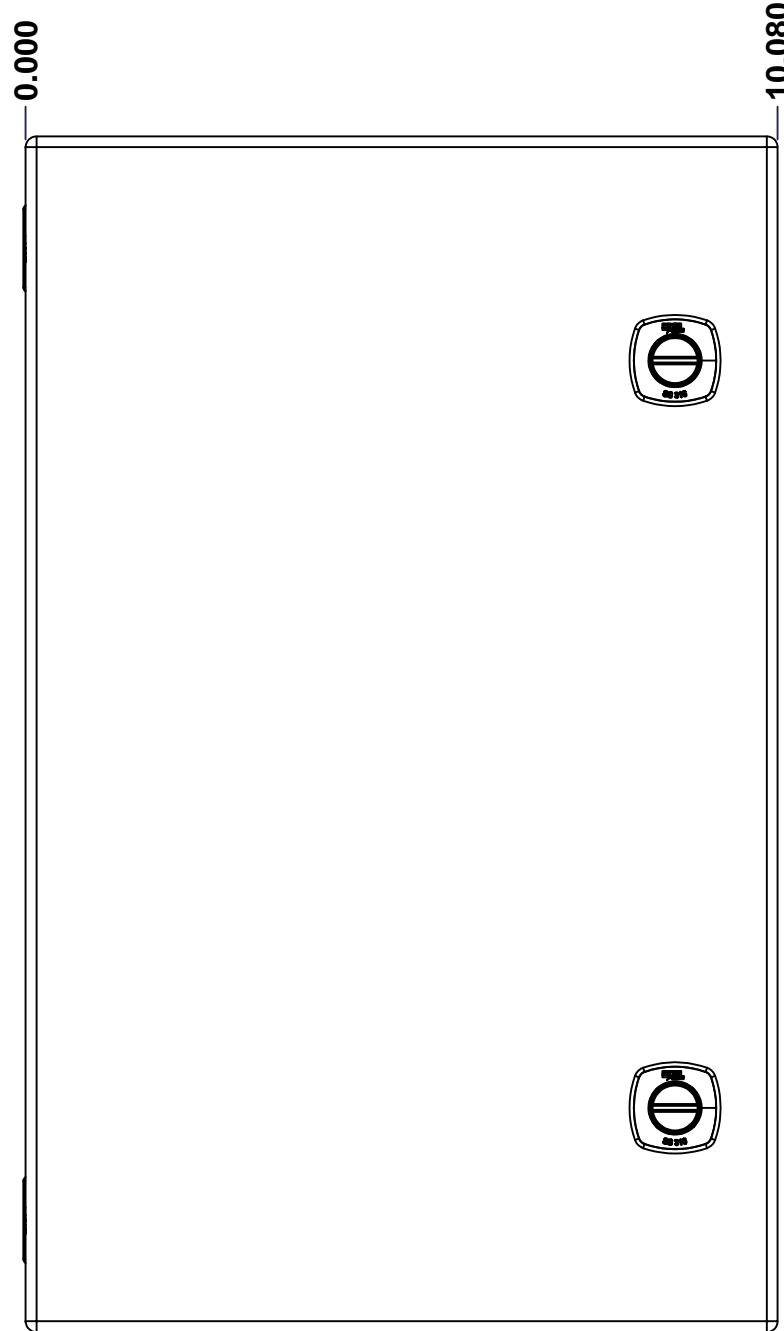
BACK



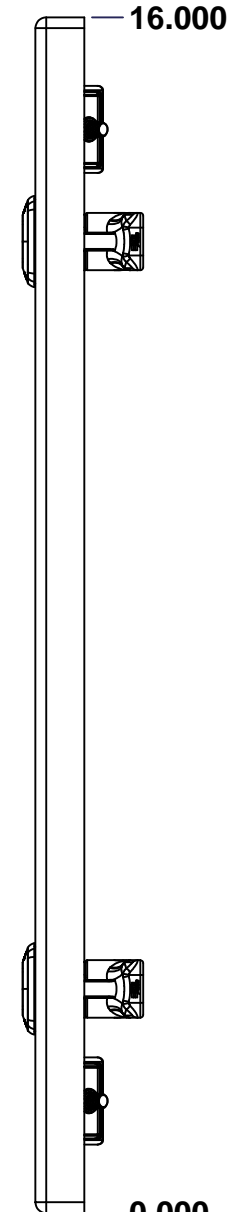
BOTTOM



LEFT

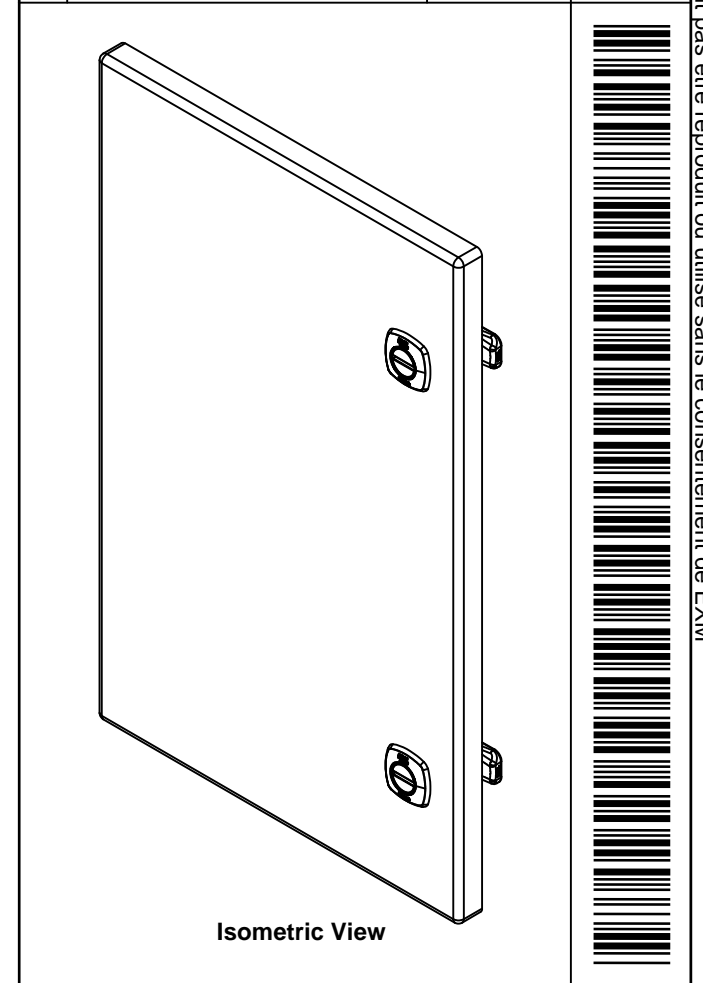


FRONT




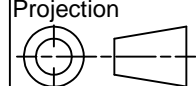
RIGHT

| No. | Revisions | Date | By/Par |
|-----|-----------|------|--------|
| | | | |
| | | | |
| | | | |
| | | | |
| | | | |



Isometric View



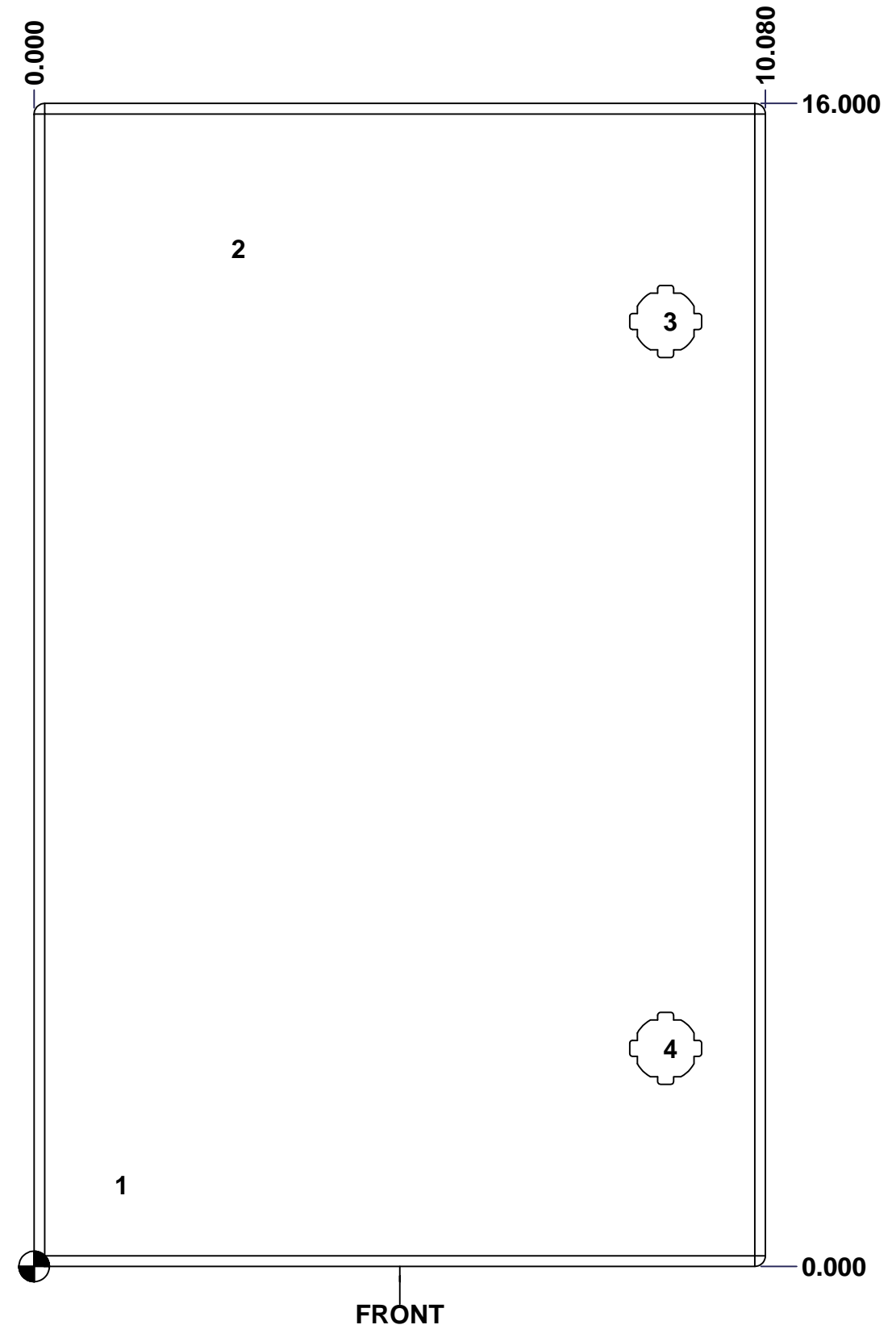
| | | |
|--|-----------------------------------|---|
|  Tél: (450) 979-4373 Fax: (450) 979-4626 www.exmweb.com | | Flatness Aplatissement Max 3.0mm Projection  |
| Customer Client | Date | Date |
| Drawn By Dessiné Par | BoxCad: BoxCad | Date 23-Oct-19 |
| Material Matière | 16 Ga Stainless Steel 316 (1.4mm) | |
| Color Couleur | Unpainted | Finish Fini Brushed |
| Description | Detail Rev. | |
| 5412ESSM 16" x 10" Cover | | |
| Part Number Numéro Pièce | Rev. | 1 |
| 5412ESSM1610066C | 0 | 3 |

SEE BILL OF MATERIAL ON LAST PAGE

This drawing is confidential and must not be reproduced or used without the consent of EXM

Ce dessin est confidentiel et ne doit pas être reproduit ou utilisé sans le consentement de EXM

| STANDARD FEATURES ARE NOT LISTED IN THIS HOLE TABLE | | | |
|---|-------|--------|-----------------------------|
| HOLE TABLE - FRONT VIEW (CUSTOM FEATURE ONLY) | | | |
| CUT-OUT | XDIM | YDIM | DESCRIPTION |
| 1 | 1.145 | 1.125 | STANDOFF M6 x 10mm (Inside) |
| 2 | 2.750 | 14.000 | LABEL_EXM |
| 3 | 8.705 | 13.000 | LOCK 880 SCQ4-SLSS6 @ 0.0° |
| 4 | 8.705 | 3.000 | LOCK 880 SCQ4-SLSS6 @ 0.0° |

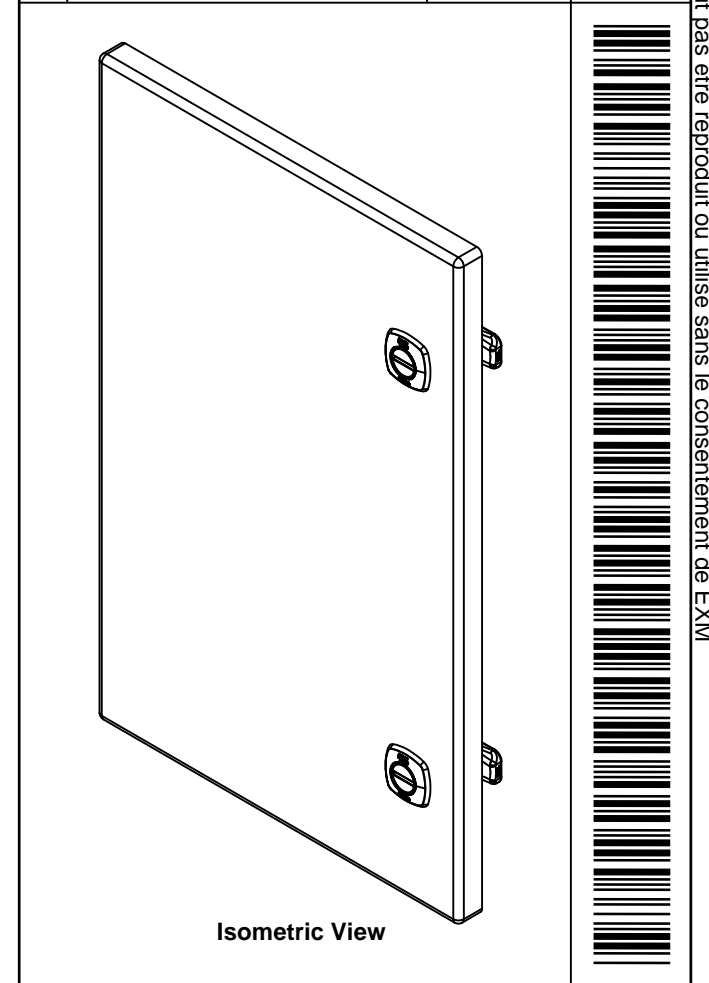



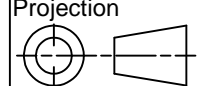
| | | |
|--|-----------------------------|----------|
| | Description | Status |
| | 5412ESSM 16" x 10" Cover | (NULL) |
| | Part Number Numéro Pièce | Rev. |
| | 5412ESSM1610066C | 0 |
| | | 2 |
| | | 3 |

This drawing is confidential and must not be reproduced or used without the consent of EXM

Ce dessin est confidentiel et ne doit pas être reproduit ou utilisé sans le consentement de EXM

| No. | Revisions | Date | By/Par |
|-----|-----------|------|--------|
| | | | |
| | | | |
| | | | |
| | | | |
| | | | |

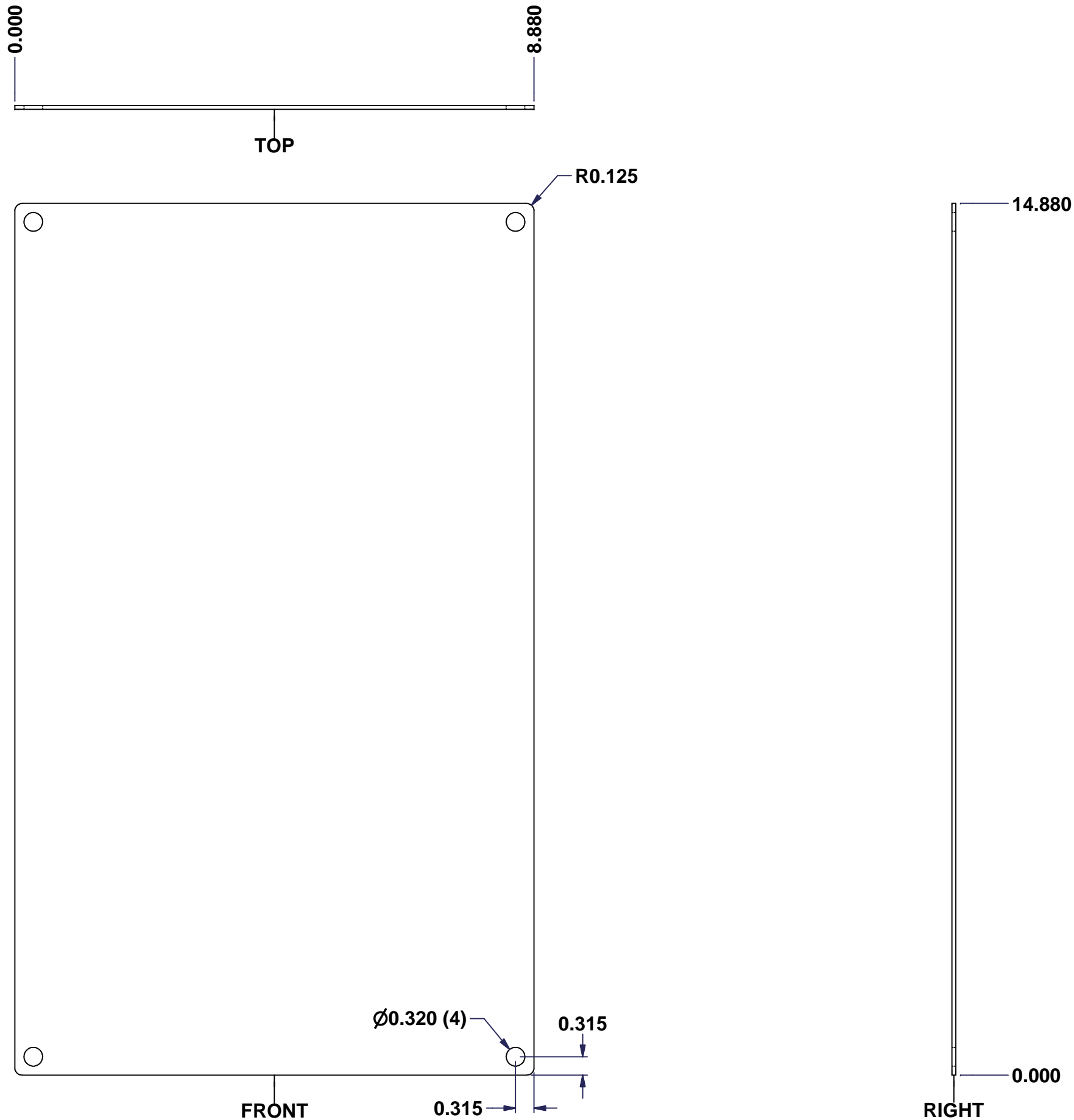


| | | |
|--|-----------------------------------|---|
|  Tél: (450) 979-4373 Fax: (450) 979-4626 www.exmweb.com | | Flatness Aplatissement Max 3.0mm Projection  |
| Customer Client | Date | |
| Drawn By Dessiné Par | BoxCad: BoxCad | Date 23-Oct-19 |
| Material Matière | 16 Ga Stainless Steel 316 (1.4mm) | |
| Color Couleur | Unpainted | Finish Fini Brushed |
| Description | | Detail Rev. |
| 5412ESSM 16" x 10" Cover | | |
| Part Number Numéro Pièce | Rev. 3 | 3 |
| 5412ESSM1610066C | 0 | 3 |

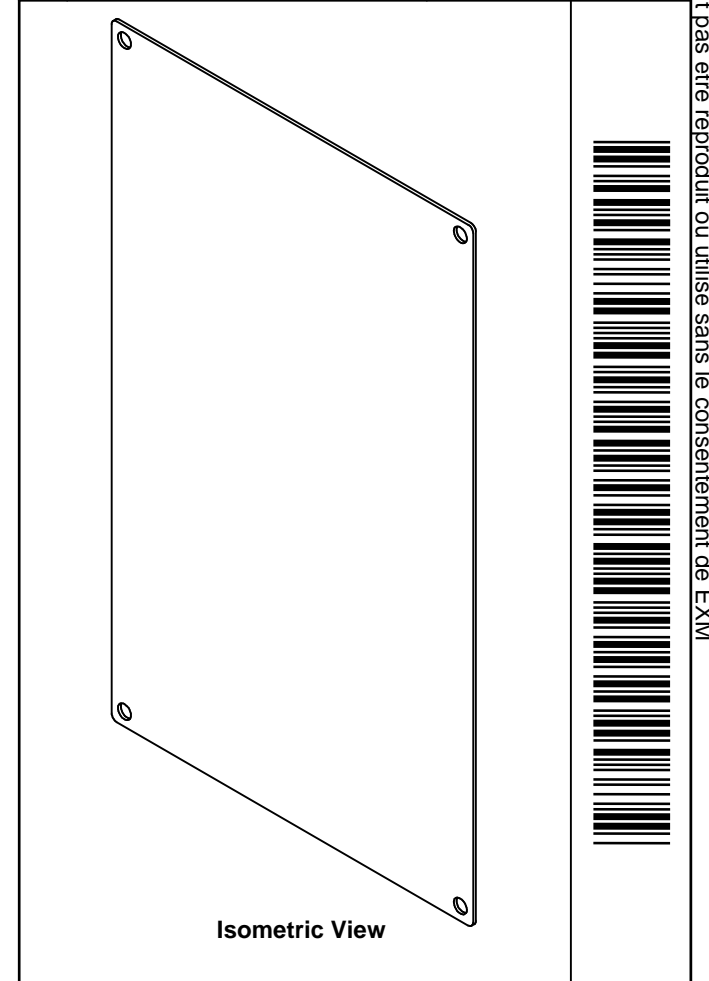
| Qty | Part Number | Rev | Description |
|------------|--------------------|-----|--|
| 1 | 5412ESSM1610066G | 0 | 5412ESSM 16" x 10" Gasket |
| 1 | STK-S-00100 | 0 | 3.5" x 2" Silver Milar Flexcon Sticker |
| 1 | STK-Q-08500 | 4 | Stainless Steel Standoff M6 x 10mm |
| 1 | 5412ESSM1610066C-P | 0 | 5412ESSM 16" x 10" Cover Part |
| 2 | STK-A-33038 | 3 | 5412 ESSMCH - Stainless Steel Hinge |
| 2 | 880 SCQ4-SLSS6 | 7 | 5412 ESS 1/4 Turn Lock |
| Parts List | | | |

This drawing is confidential and must not be reproduced or used without the consent of EXM

Ce dessin est confidentiel et ne doit pas être reproduit ou utilisé sans le consentement de EXM



| No. | Revisions | Date | By/Par |
|-----|-----------|------|--------|
| | | | |
| | | | |
| | | | |
| | | | |
| | | | |



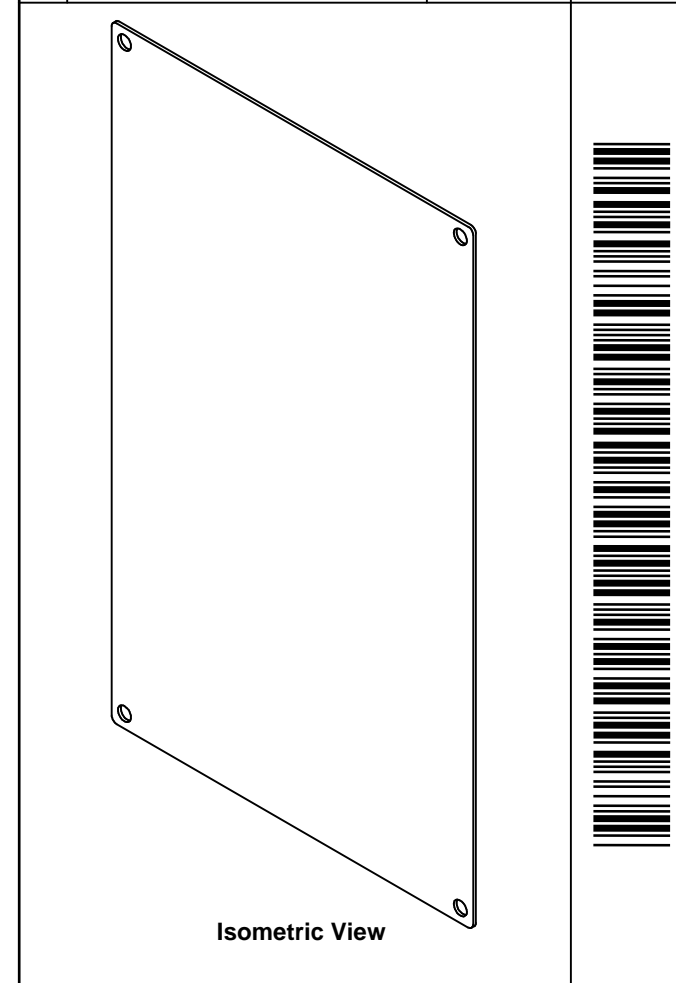
| | | |
|--|--------------------------|--|
| Tél: (450) 979-4373 Fax: (450) 979-4626 www.exmweb.com | | Flatness Aplatissement Max 3.0mm Projection |
| Customer Client | Date | |
| Drawn By Dessiné Par | BoxCad | Date 23-Jan-07 |
| Material Matière | 14 Ga Galvanized (1.7mm) | |
| Color Couleur | Unpainted | Finish Fini Galvanized |
| Description 880 SP1610G - Inner Panel | | Detail Rev. |
| Part Number Numéro Pièce | 880 SP1610G | Rev. 1 0 2 |


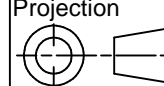
SEE BILL OF MATERIAL ON LAST PAGE

This drawing is confidential and must not be reproduced or used without the consent of EXM

Ce dessin est confidentiel et ne doit pas être reproduit ou utilisé sans le consentement de EXM

| No. | Revisions | Date | By/Par |
|-----|-----------|------|--------|
| | | | |
| | | | |
| | | | |
| | | | |
| | | | |



| | | |
|--|---------------------------|---|
|  Tél: (450) 979-4373 Fax: (450) 979-4626 www.exmweb.com | | Flatness Aplatissement Max 3.0mm |
| Customer Client | | Projection  |
| Drawn By Dessiné Par BoxCad | | Date 23-Jan-07 |
| Material Matière 14 Ga Galvanized (1.7mm) | | |
| Color Couleur Unpainted | Finish Fini Galvanized | |
| Description 880 SP1610G - Inner Panel | | Detail Rev. |
| Part Number Numéro Pièce 880 SP1610G | | Rev. 0 |

| Qty | Part Number | Rev | Description |
|------------|---------------|-----|--------------------------------|
| 1 | 880 SP1610G-P | 0 | 880 SP1610G - Inner Panel Part |
| Parts List | | | |

| |
|---|
| 2 |
| 2 |