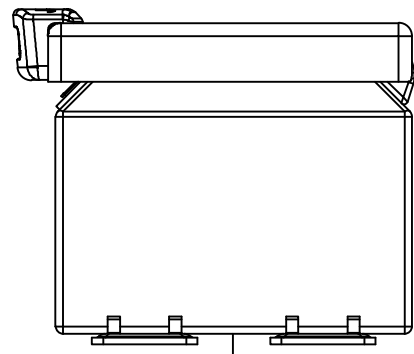
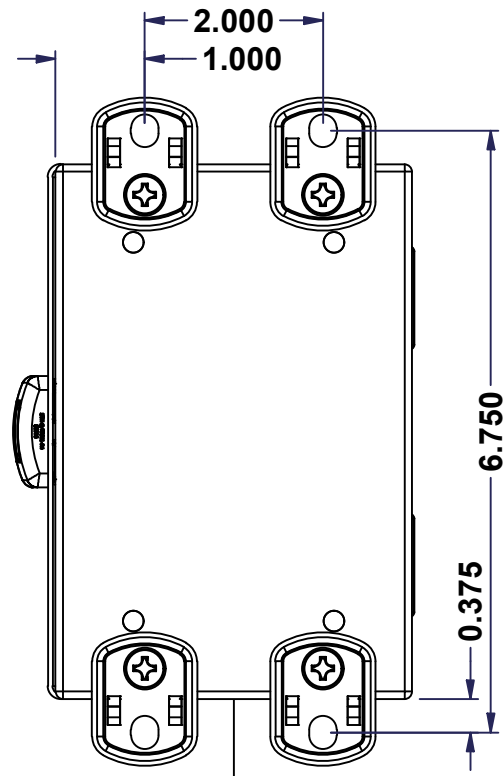


This drawing is confidential and must not be reproduced or used without the consent of EXM

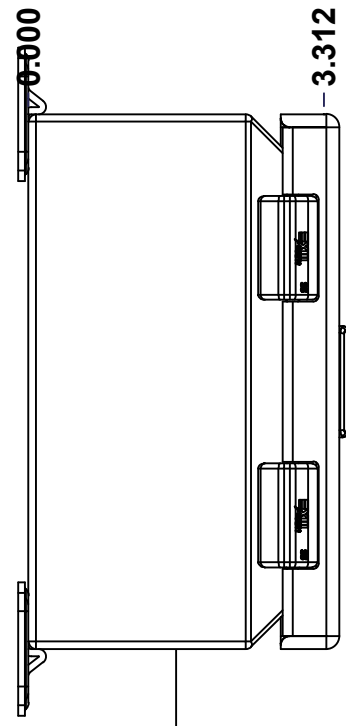
Ce dessin est confidentiel et ne doit pas être reproduit ou utilisé sans le consentement de EXM



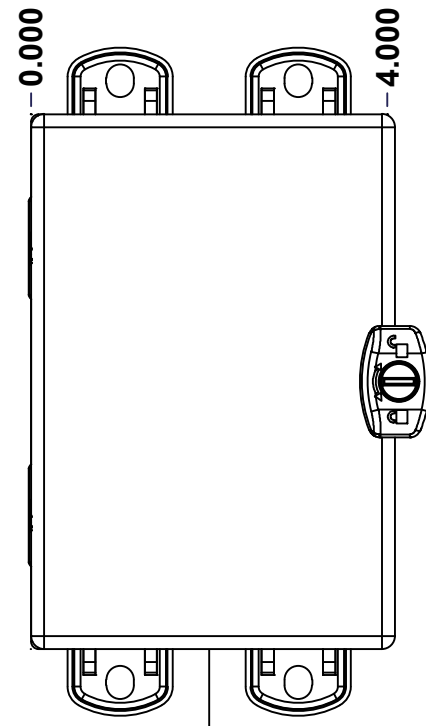
TOP



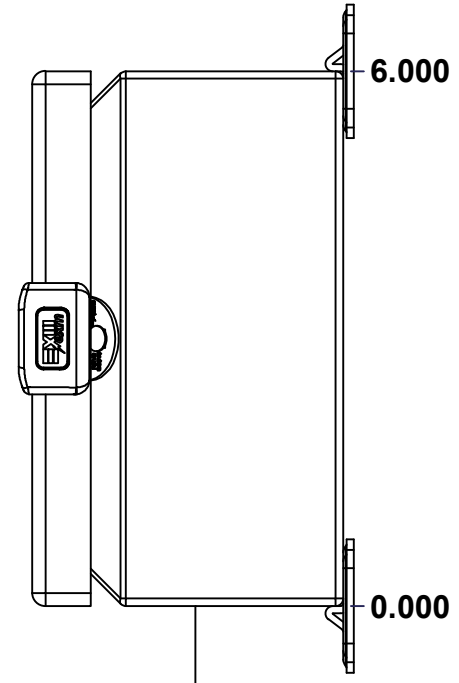
BACK



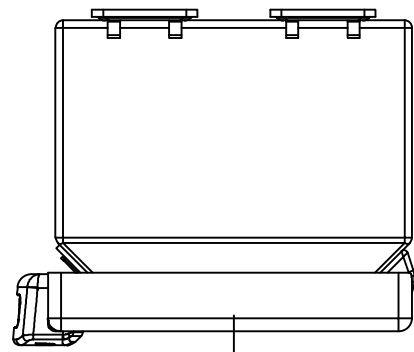
LEFT



FRONT

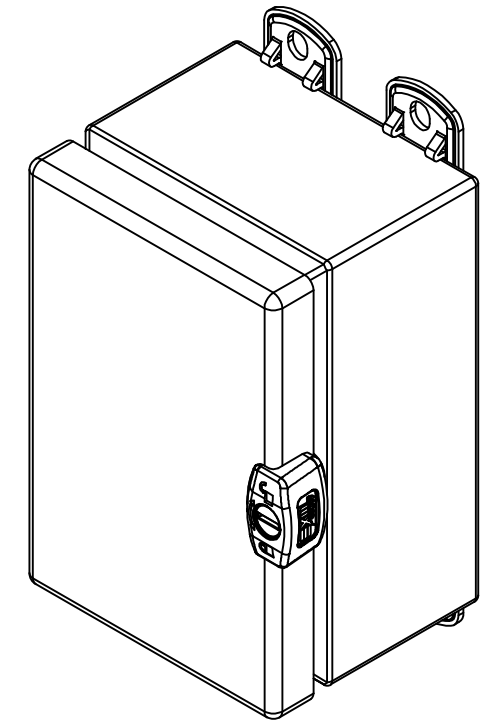


RIGHT



BOTTOM

| No. | Revisions | Date | By/Par |
|-----|-----------|------|--------|
| | | | |
| | | | |
| | | | |
| | | | |



Isometric View



Tél: (450) 979-4373
 Fax: (450) 979-4626
www.exmweb.com

Flatness
Aplatissement
Max 3.0mm
Projection

| | |
|---|------------------------|
| Customer Client | Date |
| Drawn By Dessiné Par BoxCad: BoxCad | Date 09-Mar-23 |
| Material Matière 16 Ga Stainless Steel 304 (1.4mm) | |
| Color Couleur Unpainted | Finish Fini Brushed |
| Description 5412ESSMCH 6" x 4" x 3" Assembly | Detail Rev. |
| Part Number Numéro Pièce 5412ESSMCH060403NOIP | Rev. 1 0 |

**GRAIN DIRECTION:
 TOP/BOTTOM: HORIZONTAL
 LEFT/RIGHT/BACK/Front: VERTICAL**

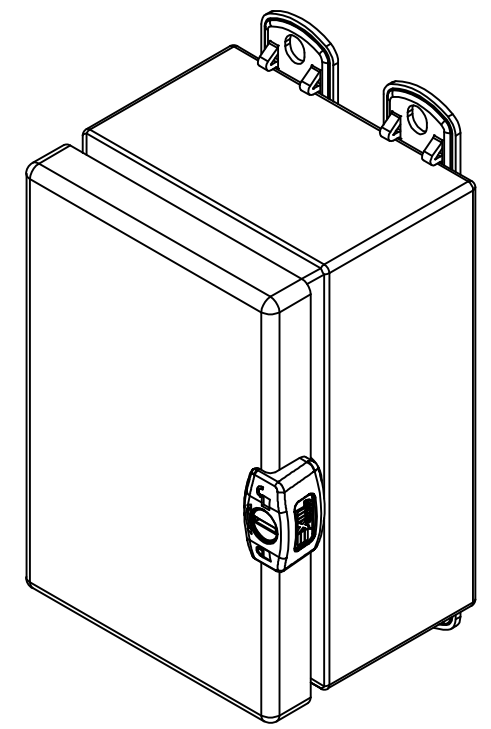
SEE BILL OF MATERIAL ON LAST PAGE

This drawing is confidential and must not be reproduced or used without the consent of EXM

Ce dessin est confidentiel et ne doit pas être reproduit ou utilisé sans le consentement de EXM

| NOTE | |
|------|--|
| ITEM | DESCRIPTION |
| 1 | NEMA 4X Enclosure |
| 2 | C/W Standard ground standoffs on box and cover |
| 3 | W/O Standard door stiffener |
| 4 | W/O Inner panel |
| 5 | C/W Standard inner panel mounting standoffs |
| 6 | C/W 885 ESCHMF2 Mounting Feet (Kit) |

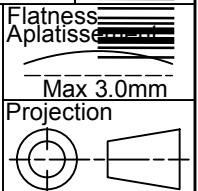
| No. | Revisions | Date | By/Par |
|-----|-----------|------|--------|
| | | | |
| | | | |
| | | | |
| | | | |
| | | | |
| | | | |



Isometric View



Tél: (450) 979-4373
 Fax: (450) 979-4626
www.exmweb.com



| | |
|--|-----------------|
| Customer Client | Date |
| Drawn By / Dessiné Par: BoxCad: BoxCad | Date: 09-Mar-23 |

Material / Matière: 16 Ga Stainless Steel 304 (1.4mm)

| | |
|----------------------------|------------------------|
| Color / Couleur: Unpainted | Finish / Fini: Brushed |
|----------------------------|------------------------|

Description: 5412ESSMCH 6" x 4" x 3" Assembly

| | | |
|---|------------------------|--------|
| Part Number / Numéro Pièce: 5412ESSMCH060403NOIP | Rev. / Révis: 0 | 2 / 10 |
|---|------------------------|--------|

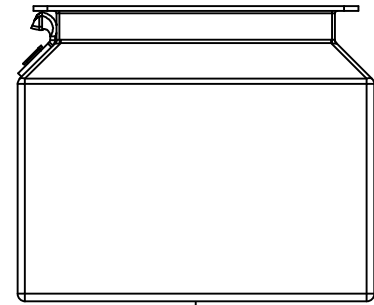
| PACKING | | |
|-----------------|-----|--|
| ITEM | QTY | DESCRIPTION |
| STK-E-04301 | 1 | CARTON 5412 ESCH060403 |
| Plastic bag | 1 | To protect cover surface and inside gasket |
| Packaging label | 1 | White label with product number |
| STK-S-01100 | 1 | ESCH EXM SQUARE STICKER |

| Qty | Part Number | Rev | Description |
|-----|---------------------------|-----|------------------------------|
| 1 | STK-K-02945 | 0 | 5412 ESSMCH Accessory Kit |
| 1 | 5412ESSMCH060403NOI PC | 0 | 5412ESSMCH 6" x 4" Cover |
| 1 | 5412ESSMCH060403NOI PB | 0 | 5412ESSMCH 6" x 4" x 3" Body |
| 2 | STK-Q-08100 | 1 | M5 Nylon Insert Lock Nut |
| 2 | STK-Q-10249 | 0 | M5 Sealing Washer |

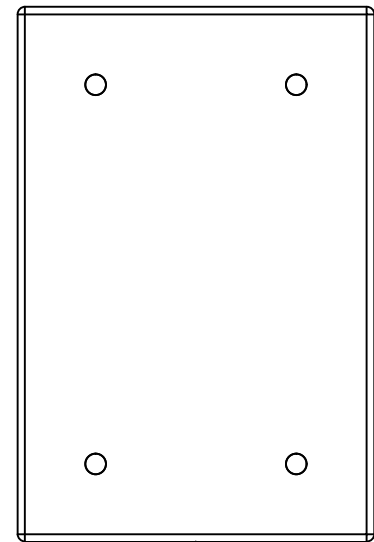
Parts List

This drawing is confidential and must not be reproduced or used without the consent of EXM

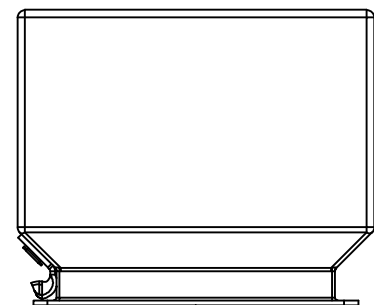
Ce dessin est confidentiel et ne doit pas être reproduit ou utilisé sans le consentement de EXM



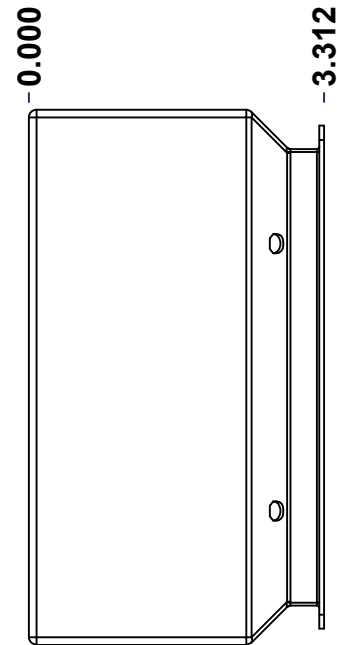
TOP



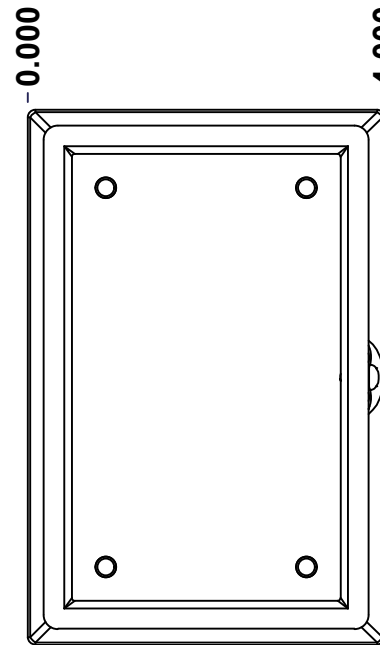
BACK



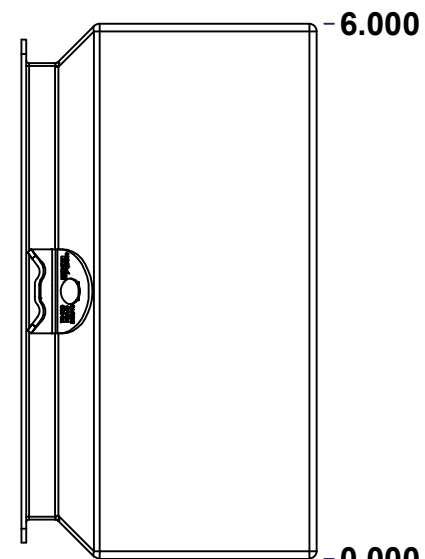
BOTTOM



LEFT

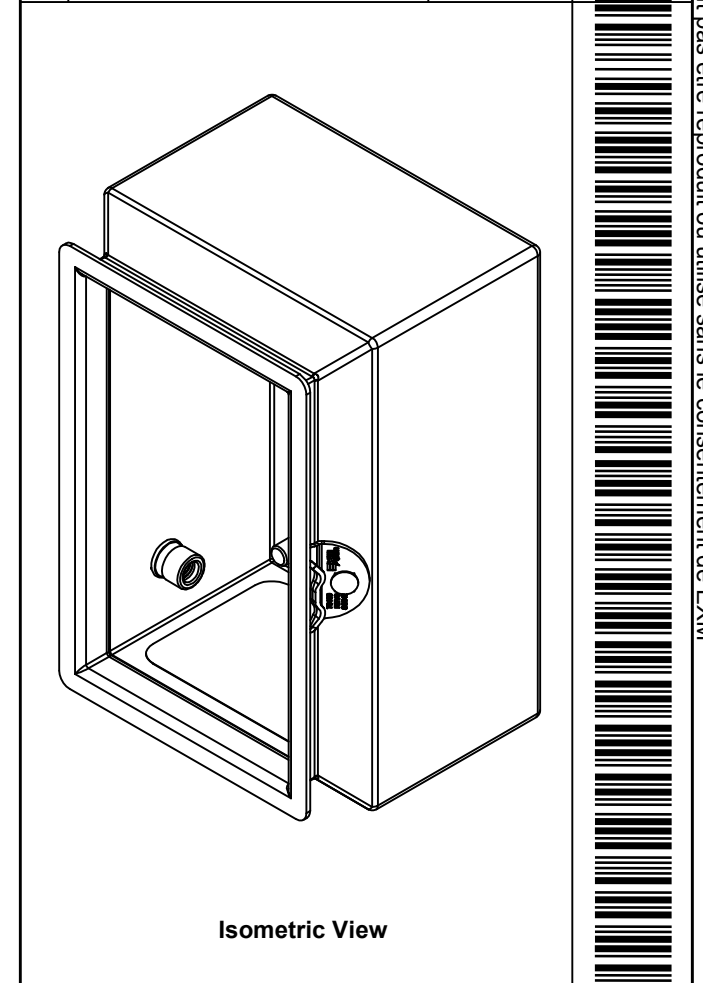


FRONT





RIGHT

| No. | Revisions | Date | By/Par |
|-----|-----------|------|--------|
| | | | |
| | | | |
| | | | |
| | | | |



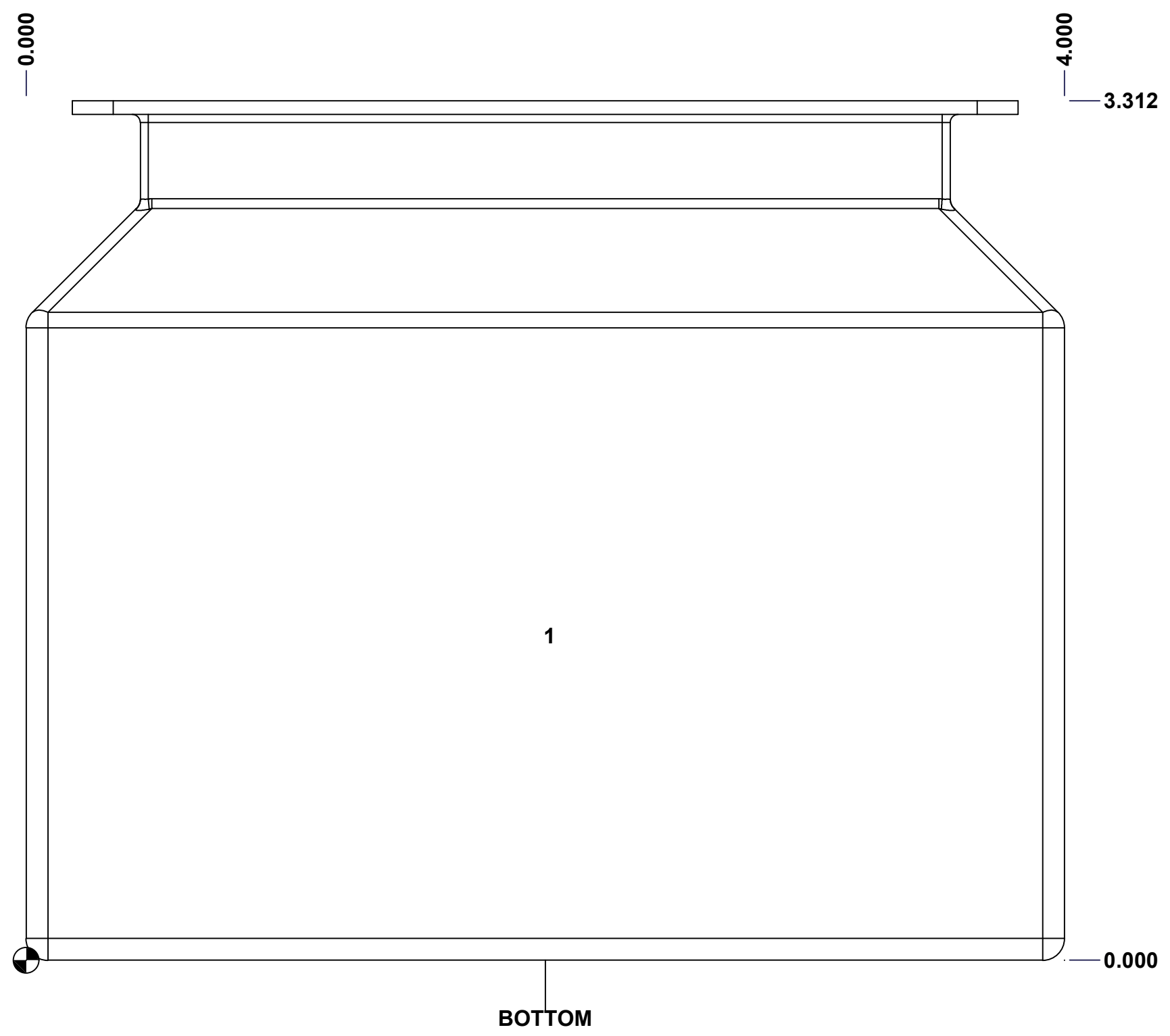
Isometric View

| | | |
|--|-----------------------------------|--|
|  Tél: (450) 979-4373 Fax: (450) 979-4626 www.exmweb.com | | Flatness Aplatissement  Max 3.0mm |
| Customer Client | Date | |
| Drawn By Dessiné Par | BoxCad: BoxCad | Date 09-Mar-23 |
| Material Matière | 16 Ga Stainless Steel 304 (1.4mm) | |
| Color Couleur | Unpainted | Finish Fini Brushed |
| Description | Detail Rev. | |
| 5412ESSMCH 6" x 4" x 3" Body | | |
| Part Number Numéro Pièce | Rev. | 3 |
| SEE BILL OF MATERIAL ON LAST PAGE 5412ESSMCH060403NOIPB | 0 | 10 |

This drawing is confidential and must not be reproduced or used without the consent of EXM

Ce dessin est confidentiel et ne doit pas être reproduit ou utilisé sans le consentement de EXM

| STANDARD FEATURES ARE NOT LISTED IN THIS HOLE TABLE | | | |
|--|-------|-------|-------------|
| HOLE TABLE - BOTTOM VIEW (CUSTOM FEATURE ONLY) | | | |
| CUT-OUT | XDIM | YDIM | DESCRIPTION |
| 1 | 2.000 | 1.250 | LABEL_EXM |



| | | |
|--|------------------------------|----------|
| | Description | Status |
| | 5412ESSMCH 6" x 4" x 3" Body | (NULL) |
| | Part Number Numéro Pièce | Rev. |
| | 5412ESSMCH060403NOIPB | 0 |
| | | 4 |
| | | 10 |

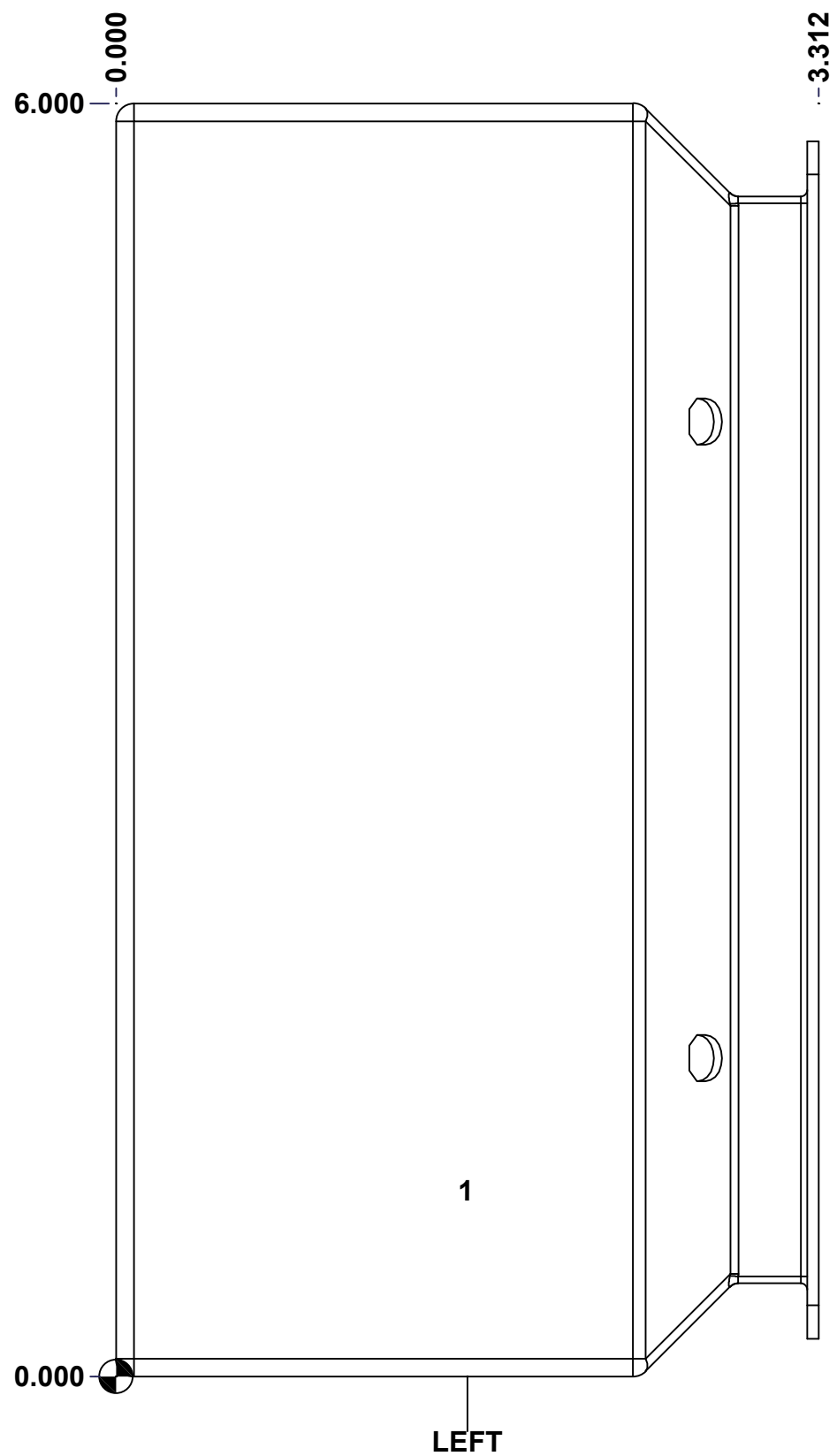
This drawing is confidential and must not be reproduced or used without the consent of EXM

Ce dessin est confidentiel et ne doit pas être reproduit ou utilisé sans le consentement de EXM

STANDARD FEATURES ARE NOT LISTED IN THIS HOLE TABLE

HOLE TABLE - LEFT VIEW (CUSTOM FEATURE ONLY)

| CUT-OUT | XDIM | YDIM | DESCRIPTION |
|---------|-------|-------|-----------------------------|
| 1 | 1.625 | 0.875 | STANDOFF M6 x 10mm (Inside) |



| | | |
|-----------------------------|------------------------------|----------|
| | Description | Status |
| | 5412ESSMCH 6" x 4" x 3" Body | (NULL) |
| Part Number Numéro Pièce | Rev. | 5 |
| | 5412ESSMCH060403NOIPB | 0 |
| | | 10 |

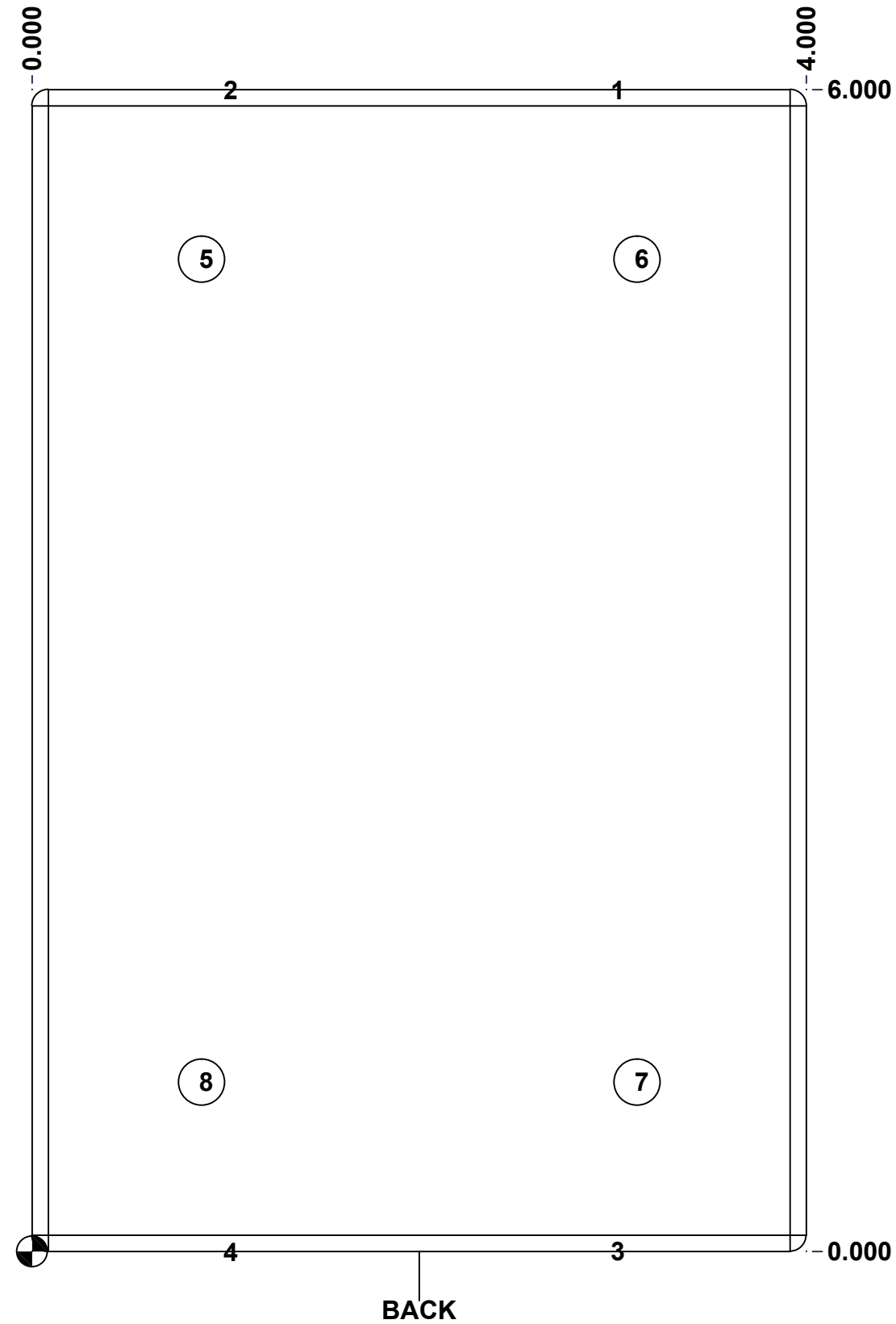
This drawing is confidential and must not be reproduced or used without the consent of EXM

Ce dessin est confidentiel et ne doit pas être reproduit ou utilisé sans le consentement de EXM

STANDARD FEATURES ARE NOT LISTED IN THIS HOLE TABLE

HOLE TABLE - BACK VIEW (CUSTOM FEATURE ONLY)

| CUT-OUT | XDIM | YDIM | DESCRIPTION |
|---------|-------|-------|------------------------|
| 1 | 3.000 | 6.000 | FOOT 885 ESCHMF2 |
| 2 | 1.000 | 6.000 | FOOT 885 ESCHMF2 |
| 3 | 3.000 | 0.000 | FOOT 885 ESCHMF2 |
| 4 | 1.000 | 0.000 | FOOT 885 ESCHMF2 |
| 5 | 0.875 | 5.125 | PEM FHS-M6-20 (Inside) |
| 6 | 3.125 | 5.125 | PEM FHS-M6-20 (Inside) |
| 7 | 3.125 | 0.875 | PEM FHS-M6-20 (Inside) |
| 8 | 0.875 | 0.875 | PEM FHS-M6-20 (Inside) |

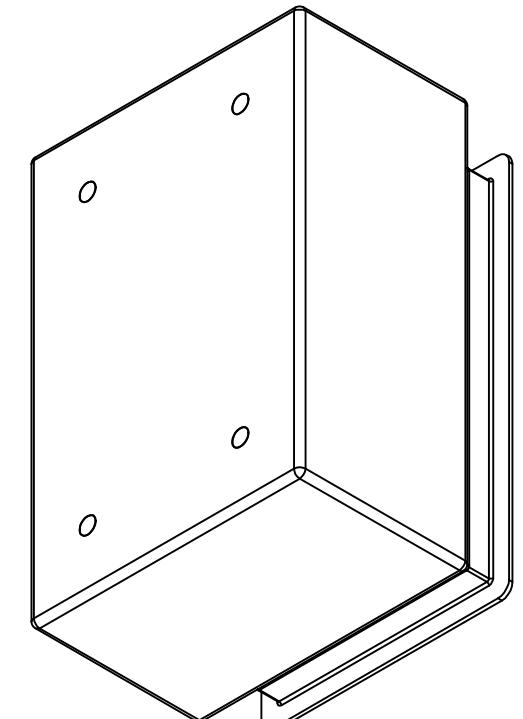


| | | |
|-----------------------------|------------------------------|--------|
| | Description | Status |
| | 5412ESSMCH 6" x 4" x 3" Body | (NULL) |
| Part Number Numéro Pièce | 5412ESSMCH060403NOIPB | Rev. 6 |
| | | 0 10 |

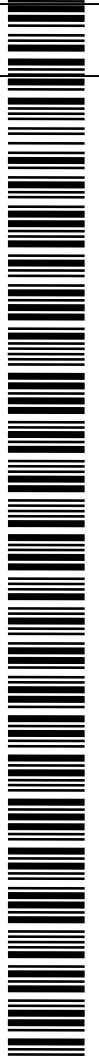
This drawing is confidential and must not be reproduced or used without the consent of EXM


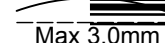
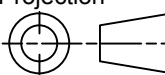
Ce dessin est confidentiel et ne doit pas être reproduit ou utilisé sans le consentement de EXM

| No. | Revisions | Date | By/Par |
|-----|-----------|------|--------|
| | | | |
| | | | |
| | | | |
| | | | |
| | | | |



Isometric View

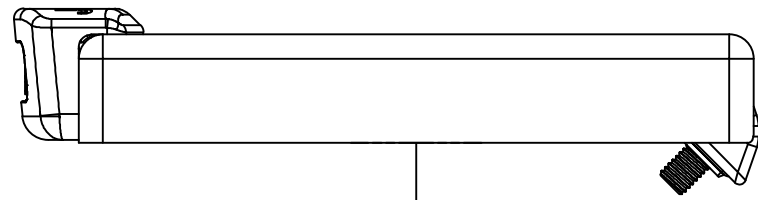


| | | |
|--|-----------------------------------|---|
|  Tél: (450) 979-4373 Fax: (450) 979-4626 www.exmweb.com | | Flatness Aplatissement  Max 3.0mm Projection  |
| Customer Client | Date | |
| Drawn By Dessiné Par | BoxCad: BoxCad | Date 09-Mar-23 |
| Material Matière | 16 Ga Stainless Steel 304 (1.4mm) | |
| Color Couleur | Unpainted | Finish Fini Brushed |
| Description | Detail Rev. | |
| 5412ESSMCH 6" x 4" x 3" Body | | |
| Part Number Numéro Pièce | Rev. | 7 |
| 5412ESSMCH060403NOIPB | 0 | 10 |

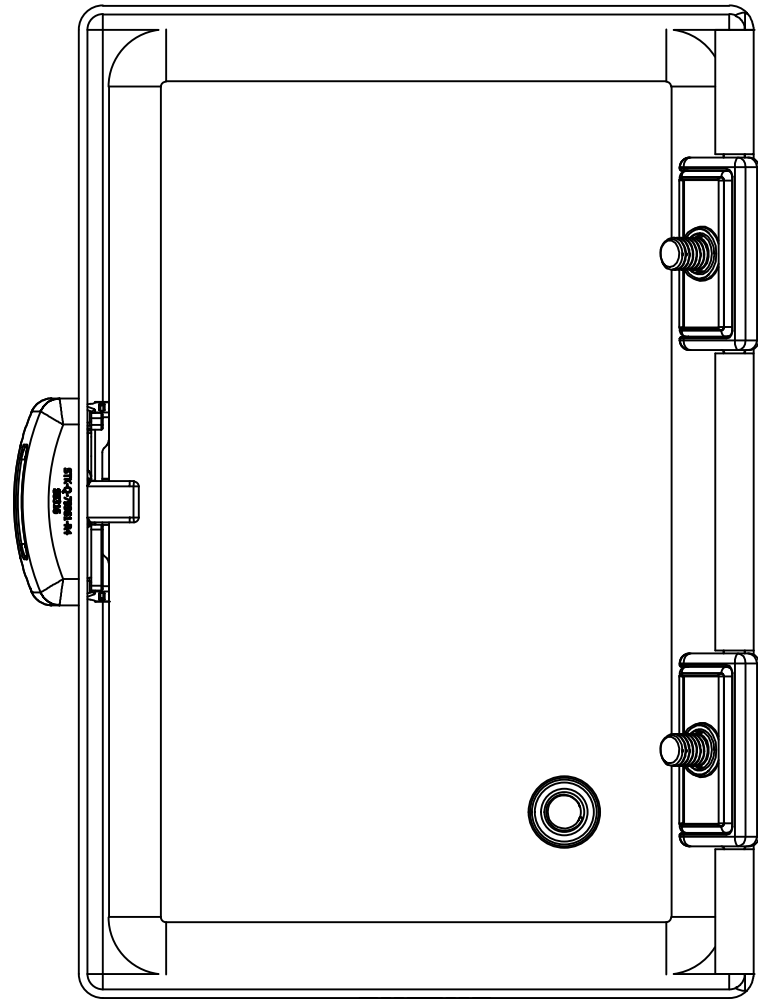
| Qty | Part Number | Rev | Description |
|------------|-------------------------|-----|---|
| 4 | STK-PEM-FHS-M6-20 | 0 | SS PEM Self-Clinching Stud M6 x 20.0mm |
| 1 | STK-Q-08100 | 1 | M5 Nylon Insert Lock Nut |
| 1 | STK-S-00100 | 0 | 3.5" x 2" Silver Milar Flexcon Sticker |
| 1 | 5412ESSMCH060403NOIPB-P | 0 | 5412ESSMCH 6" x 4" x 3" Body Part |
| 1 | STK-A-70469 | 6 | 5412 ESSMCH - Stainless Steel 316 Body Catch Assembly |
| 1 | STK-Q-08500 | 4 | Stainless Steel Standoff M6 x 10mm |
| | | | |
| Parts List | | | |

This drawing is confidential and must not be reproduced or used without the consent of EXM

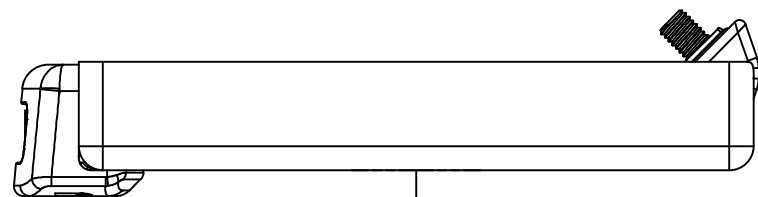
Ce dessin est confidentiel et ne doit pas être reproduit ou utilisé sans le consentement de EXM



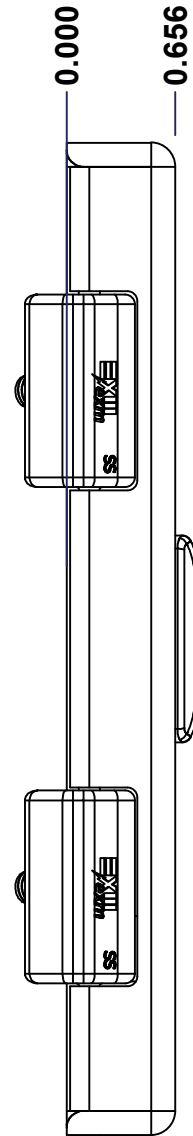
TOP



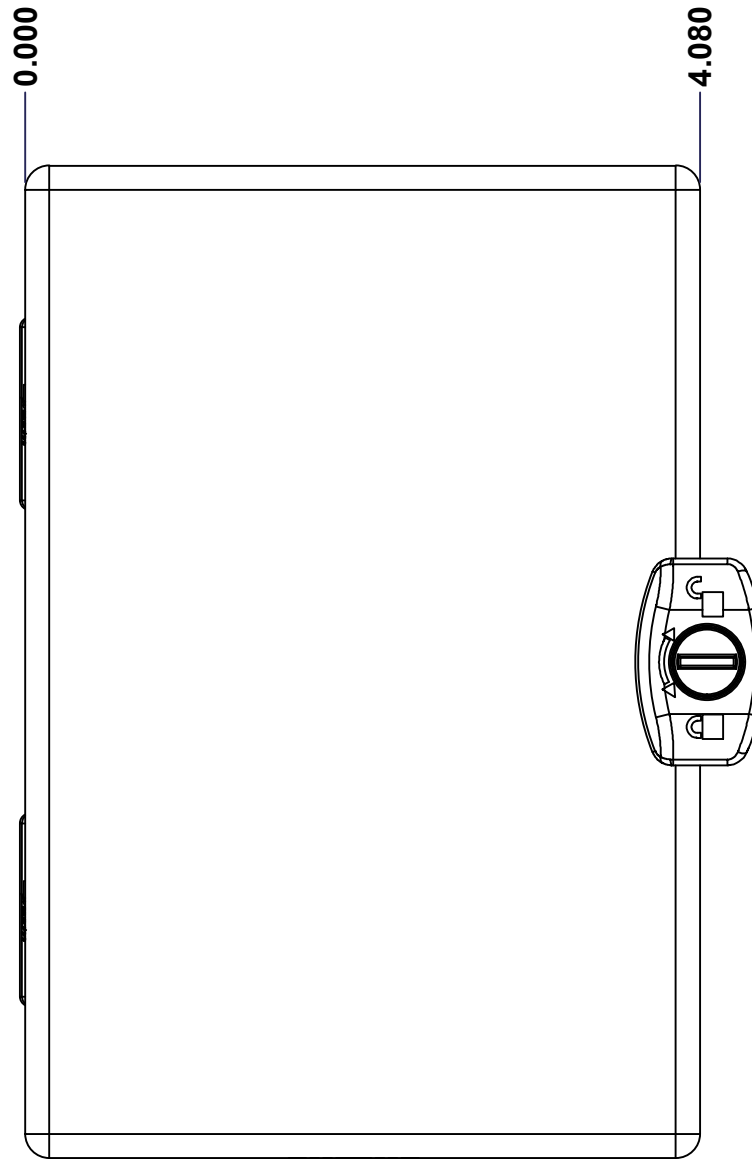
BACK



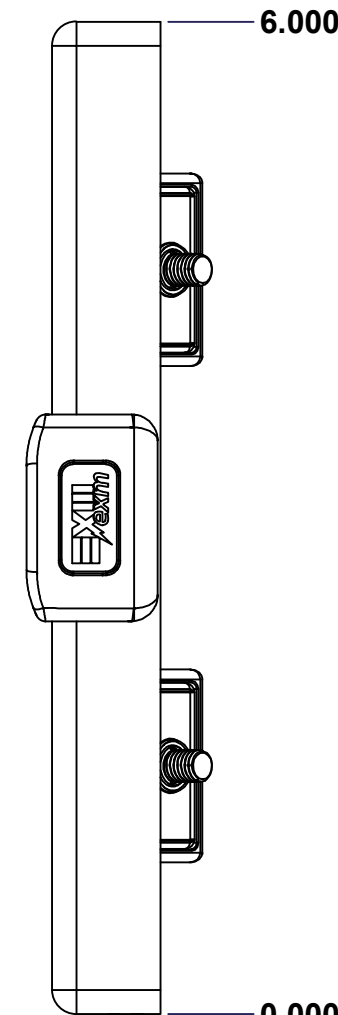
BOTTOM



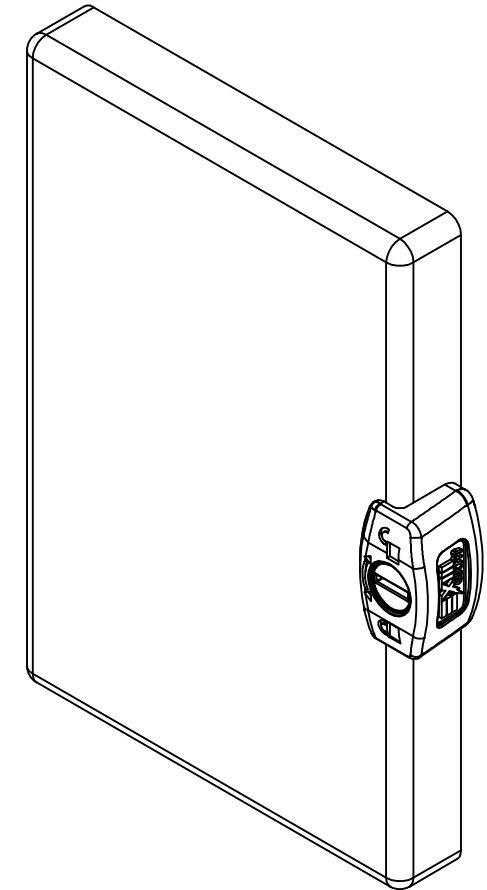
LEFT



FRONT





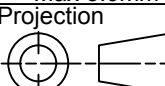
RIGHT



Isometric View



| No. | Revisions | Date | By/Par |
|-----|-----------|------|--------|
| | | | |
| | | | |
| | | | |
| | | | |
| | | | |

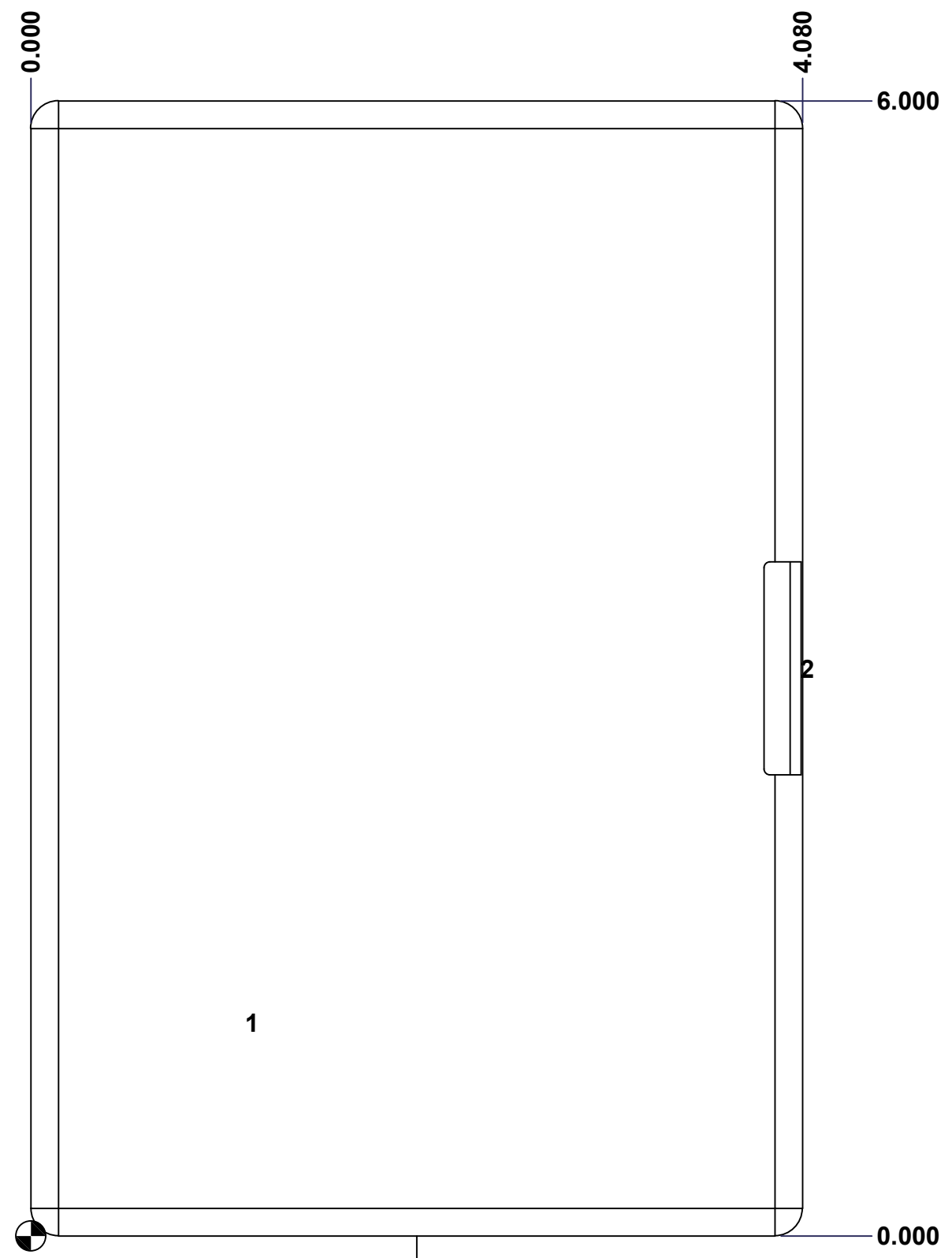
| | | |
|--|-----------------------------------|---|
|  Tél: (450) 979-4373 Fax: (450) 979-4626 www.exmweb.com | | Flatness Aplatissement  Max 3.0mm Projection  |
| Customer Client | Date | |
| Drawn By Dessiné Par | BoxCad: BoxCad | Date 09-Mar-23 |
| Material Matière | 16 Ga Stainless Steel 304 (1.4mm) | |
| Color Couleur | Unpainted | Finish Fini Brushed |
| Description | Detail Rev. | |
| 5412ESSMCH 6" x 4" Cover | | |
| Part Number Numéro Pièce | Rev. | 8 |
| SEE BILL OF MATERIAL ON LAST PAGE 5412ESSMCH060403NOIPC | 0 | 10 |

SEE BILL OF MATERIAL ON LAST PAGE 5412ESSMCH060403NOIPC

This drawing is confidential and must not be reproduced or used without the consent of EXM

Ce dessin est confidentiel et ne doit pas être reproduit ou utilisé sans le consentement de EXM

| STANDARD FEATURES ARE NOT LISTED IN THIS HOLE TABLE | | | |
|---|-------|-------|-----------------------------|
| HOLE TABLE - FRONT VIEW (CUSTOM FEATURE ONLY) | | | |
| CUT-OUT | XDIM | YDIM | DESCRIPTION |
| 1 | 1.145 | 1.125 | STANDOFF M6 x 10mm (Inside) |
| 2 | 4.080 | 3.000 | LOCK 880 SCQ3MS @ 0.0° |



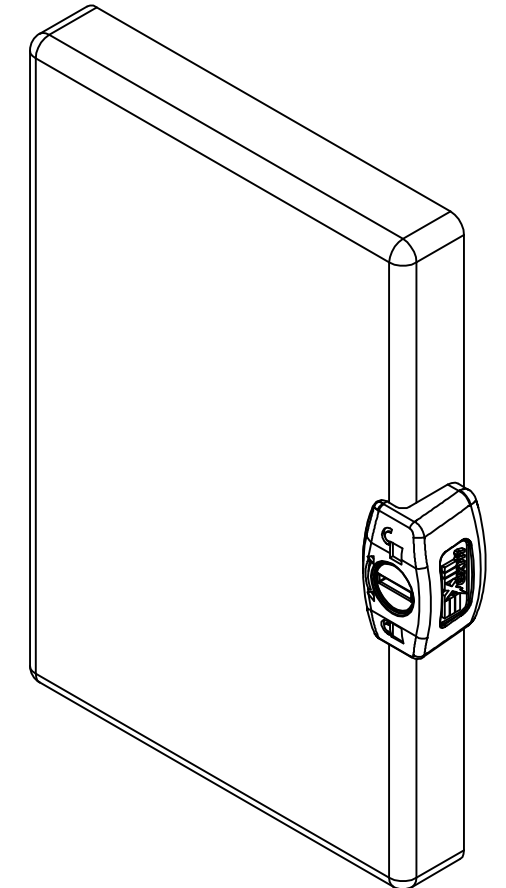
FRONT

| | | |
|--|------------------------------|----------|
| | Description | Status |
| | 5412ESSMCH 6" x 4" Cover | (NULL) |
| | Part Number | Rev. |
| | Numéro Pièce | 9 |
| | 5412ESSMCH060403NOIPC | 0 |
| | | 10 |

This drawing is confidential and must not be reproduced or used without the consent of EXM


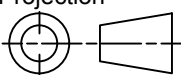
Ce dessin est confidentiel et ne doit pas être reproduit ou utilisé sans le consentement de EXM

| No. | Revisions | Date | By/Par |
|-----|-----------|------|--------|
| | | | |
| | | | |
| | | | |
| | | | |
| | | | |



Isometric View



| | | |
|--|-----------------------------------|---|
|  Tél: (450) 979-4373 Fax: (450) 979-4626 www.exmweb.com | Flatness Aplatissement | Max 3.0mm |
| | Projection |  |
| Customer Client | Date | |
| Drawn By Dessiné Par | BoxCad: BoxCad | Date 09-Mar-23 |
| Material Matière | 16 Ga Stainless Steel 304 (1.4mm) | |
| Color Couleur | Unpainted | Finish Fini Brushed |
| Description | Detail Rev. | |
| 5412ESSMCH 6" x 4" Cover | | |
| Part Number Numéro Pièce | Rev. | 10 |
| 5412ESSMCH060403NOIPC | 0 | 10 |

| Qty | Part Number | Rev | Description |
|------------|-----------------------------|-----|--|
| 1 | 5412ESSMCH060403NOI PG | 0 | 5412ESSMCH 6" x 4" Gasket |
| 1 | 880SCQ3S | 4 | 5412 ESSMCH - Stainless Steel External Lock Assy - Slot Lock |
| 1 | STK-Q-08500 | 4 | Stainless Steel Standoff M6 x 10mm |
| 1 | 5412ESSMCH060403NOI PC-P | 0 | 5412ESSMCH 6" x 4" Cover Part |
| 2 | STK-A-33038 | 3 | 5412 ESSMCH - Stainless Steel Hinge |
| Parts List | | | |