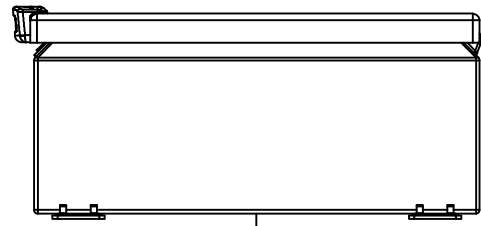
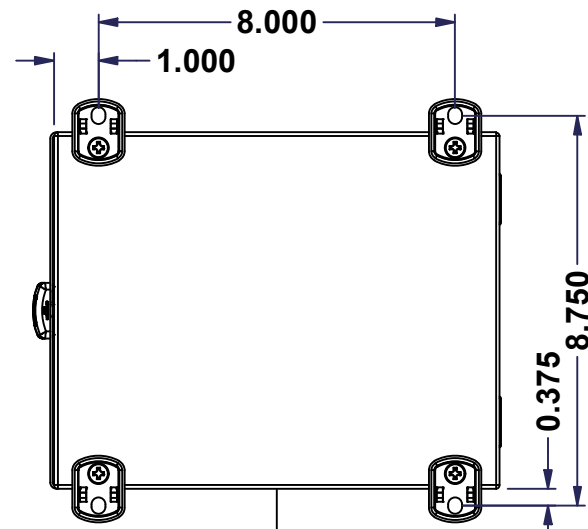


This drawing is confidential and must not be reproduced or used without the consent of EXM

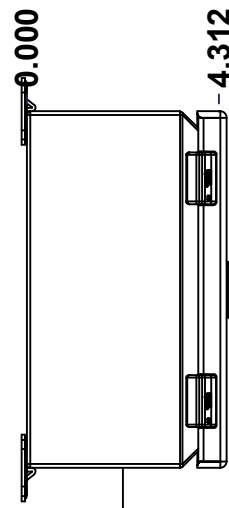
Ce dessin est confidentiel et ne doit pas être reproduit ou utilisé sans le consentement de EXM



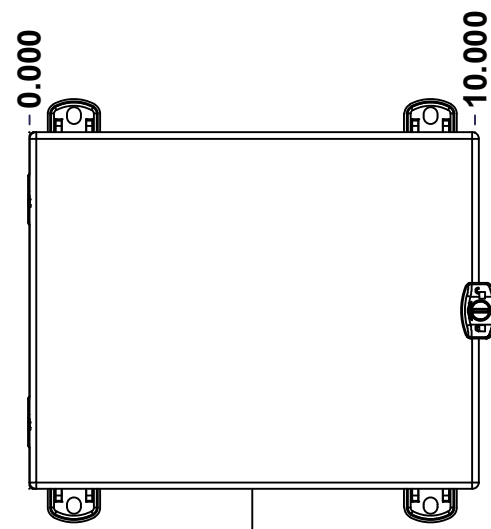
TOP



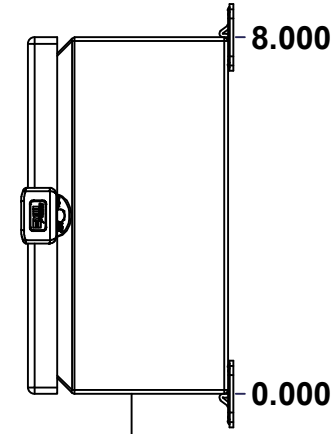
BACK



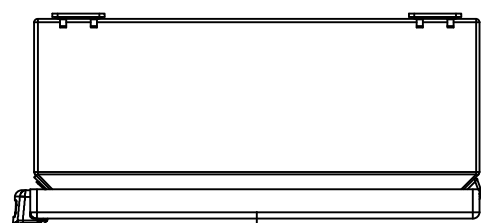
LEFT



FRONT

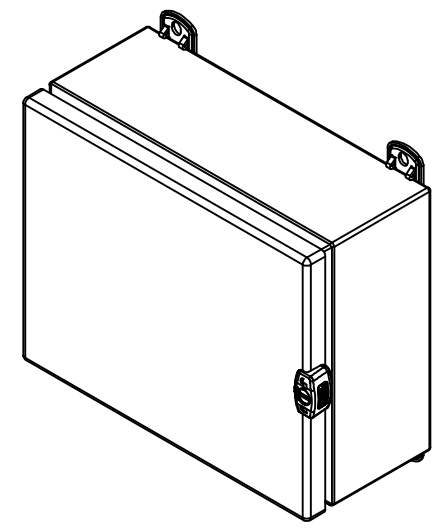


RIGHT

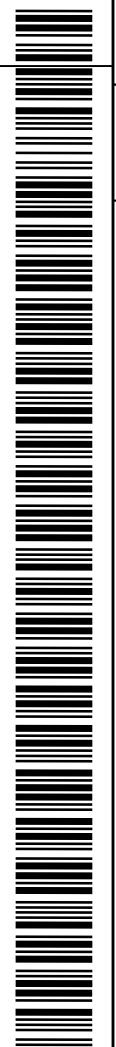


BOTTOM

| No. | Revisions | Date | By/Par |
|-----|-----------|------|--------|
|     |           |      |        |
|     |           |      |        |
|     |           |      |        |
|     |           |      |        |



Isometric View



**GRAIN DIRECTION:  
TOP/BOTTOM: HORIZONTAL  
LEFT/RIGHT/BACK/FRONT: VERTICAL**

|  |                                   |  |
|--|-----------------------------------|--|
| Tél: (450) 979-4373<br>Fax: (450) 979-4626<br><a href="http://www.exmweb.com">www.exmweb.com</a> |                                   | Flatness<br>Aplatissement<br>Max 3.0mm<br>Projection<br> |
| Customer<br>Client   |                                   | Date   |
| Drawn By<br>Dessiné Par  | BoxCad: BoxCad                    | Date 09-Mar-23   |
| Material<br>Matière  | 16 Ga Stainless Steel 304 (1.4mm) |  |
| Color<br>Couleur   | Unpainted                         | Finish<br>Fini Brushed                                   |
| Description<br>5412ESSMCH 8" x 10" x 4" Assembly   |                                   | Detail Rev.  |
| Part Number<br>Numéro Pièce  | 5412ESSMCH081004NOIP              | Rev. 1<br>0  |

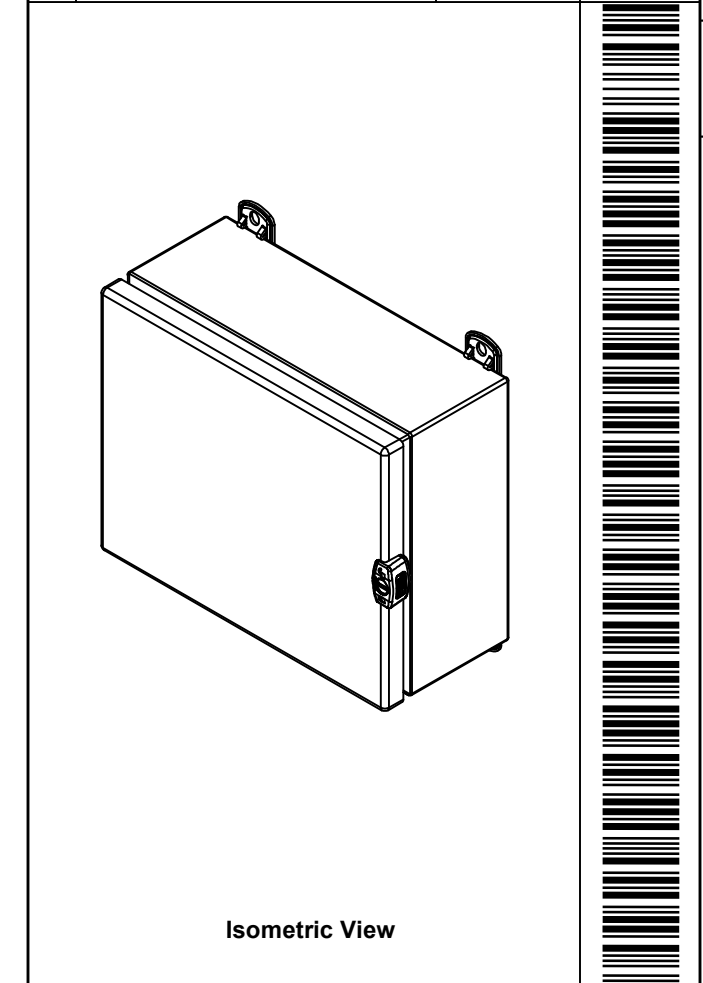
SEE BILL OF MATERIAL ON LAST PAGE

This drawing is confidential and must not be reproduced or used without the consent of EXM

Ce dessin est confidentiel et ne doit pas être reproduit ou utilisé sans le consentement de EXM

| NOTE |  |
|------|--|
| ITEM | DESCRIPTION                                    |
| 1    | NEMA 4X Enclosure                              |
| 2    | C/W Standard ground standoffs on box and cover |
| 3    | W/O Standard door stiffener                    |
| 4    | W/O Inner panel                                |
| 5    | C/W Standard inner panel mounting standoffs    |
| 6    | C/W 885 ESCHMF2 Mounting Feet (Kit)            |

| No. | Revisions | Date | By/Par |
|-----|-----------|------|--------|
|     |           |      |        |
|     |           |      |        |
|     |           |      |        |
|     |           |      |        |
|     |           |      |        |
|     |           |      |        |



Tél: (450) 979-4373  
Fax: (450) 979-4626  
[www.exmweb.com](http://www.exmweb.com)

Flatness  
Aplatissement  
Max 3.0mm  
Projection

|   |                        |
|---|------------------------|
| Customer Client   | Date                   |
| Drawn By / Dessiné Par: BoxCad: BoxCad                  | Date: 09-Mar-23        |
| Material / Matière: 16 Ga Stainless Steel 304 (1.4mm)   |                        |
| Color / Couleur: Unpainted                              | Finish / Fini: Brushed |
| Description: 5412ESSMCH 8" x 10" x 4" Assembly          | Detail Rev.            |
| Part Number / Numéro Pièce: <b>5412ESSMCH081004NOIP</b> | Rev. 0                 |

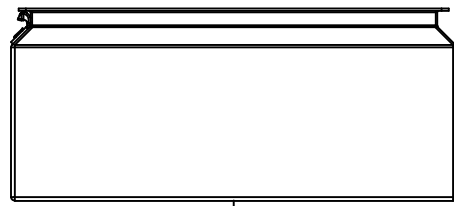
| PACKING         |     |  |
|-----------------|-----|--|
| ITEM            | QTY | DESCRIPTION                                |
| STK-E-04309     | 1   | CARTON 5412 ESCH081004                     |
| Plastic bag     | 1   | To protect cover surface and inside gasket |
| Packaging label | 1   | White label with product number            |
| STK-S-01100     | 1   | ESCH EXM SQUARE STICKER                    |

| Qty | Part Number               | Rev | Description                   |
|-----|---------------------------|-----|-------------------------------|
| 1   | STK-K-02945               | 0   | 5412 ESSMCH Accessory Kit     |
| 1   | 5412ESSMCH081004NOI<br>PC | 0   | 5412ESSMCH 8" x 10" Cover     |
| 1   | 5412ESSMCH081004NOI<br>PB | 0   | 5412ESSMCH 8" x 10" x 4" Body |
| 2   | STK-Q-08100               | 1   | M5 Nylon Insert Lock Nut      |
| 2   | STK-Q-10249               | 0   | M5 Sealing Washer             |

Parts List

This drawing is confidential and must not be reproduced or used without the consent of EXM

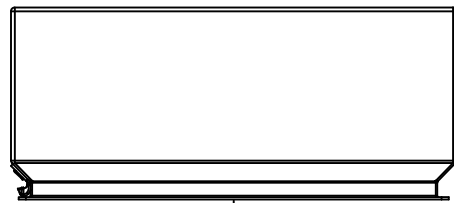
Ce dessin est confidentiel et ne doit pas être reproduit ou utilisé sans le consentement de EXM



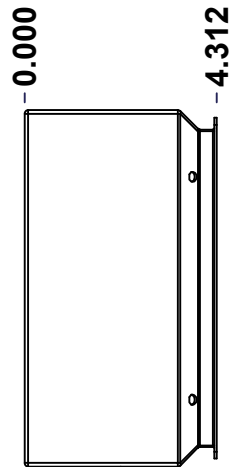
TOP



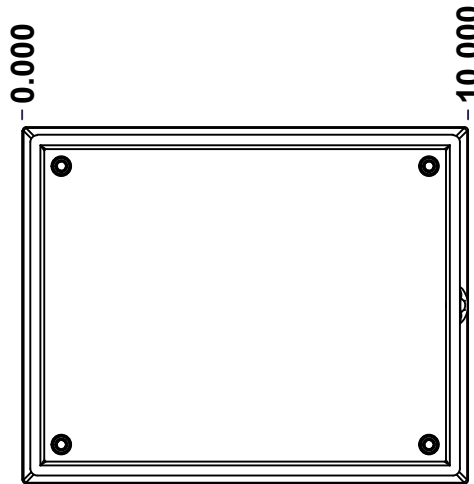
BACK



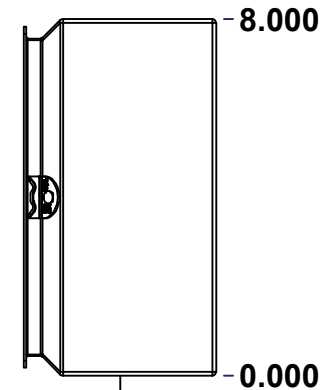
BOTTOM



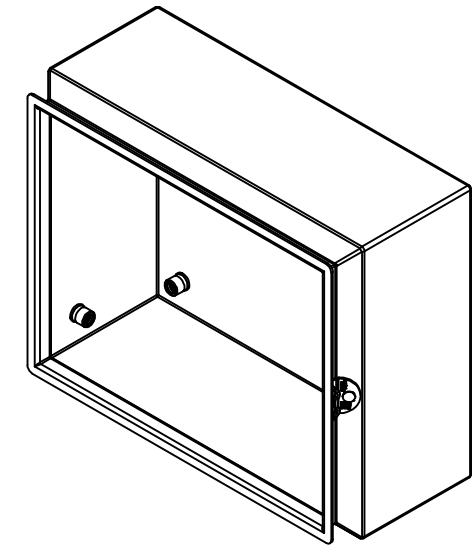
LEFT



FRONT





RIGHT



Isometric View



| No. | Revisions | Date | By/Par |
|-----|-----------|------|--------|
|     |           |      |        |
|     |           |      |        |
|     |           |      |        |
|     |           |      |        |
|     |           |      |        |

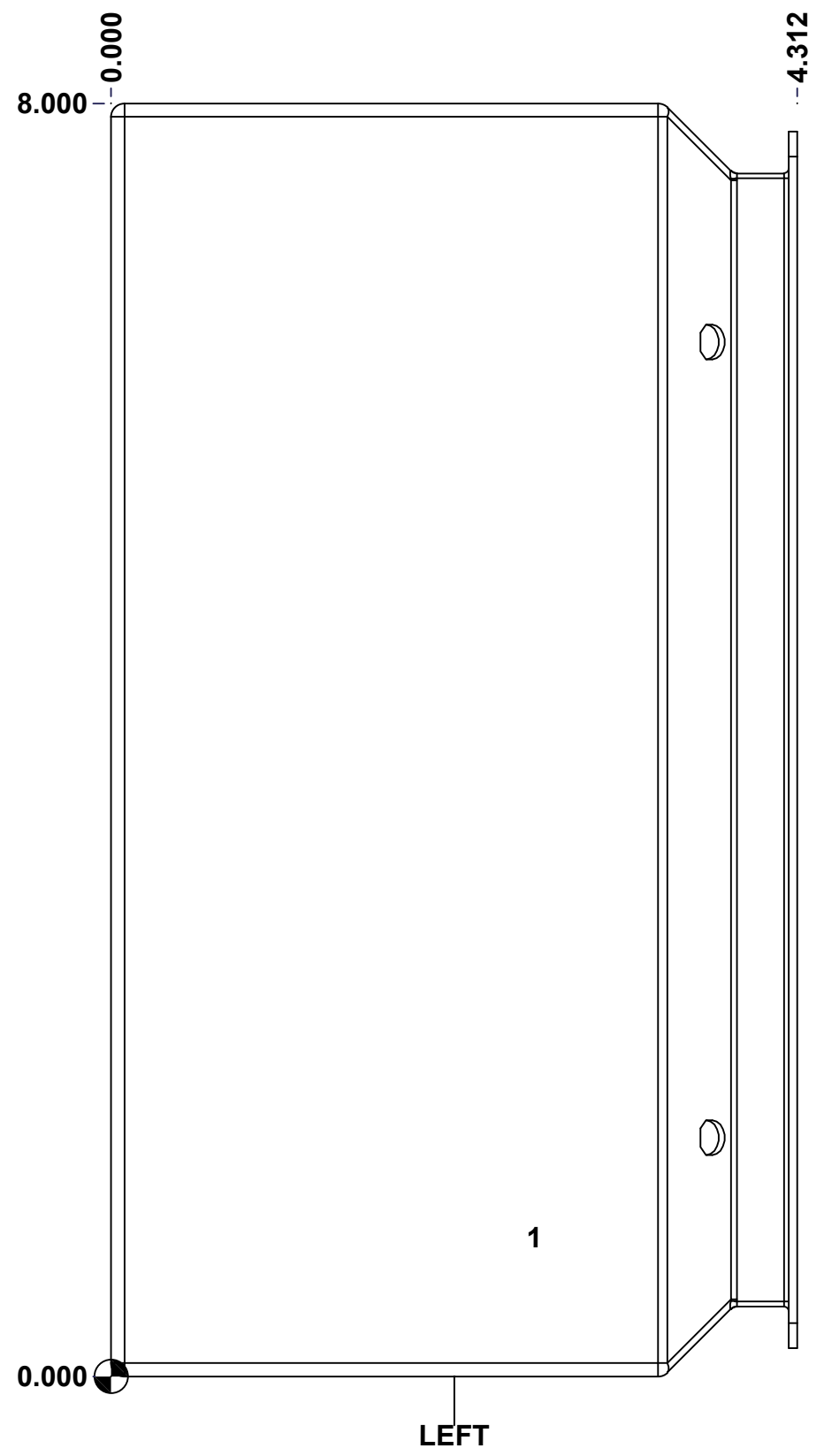
|  |                        |   |
|--|------------------------|---|
|  Tél: (450) 979-4373<br>Fax: (450) 979-4626<br><a href="http://www.exmweb.com">www.exmweb.com</a> |                        | Flatness<br>Aplatissement<br><br>Max 3.0mm |
| Customer Client  |                        | Date  |
| Drawn By<br>Dessiné Par BoxCad: BoxCad   |                        | Date 09-Mar-23  |
| Material<br>Matière 16 Ga Stainless Steel 304 (1.4mm)  |                        |   |
| Color<br>Couleur Unpainted   | Finish<br>Fini Brushed |   |
| Description<br>5412ESSMCH 8" x 10" x 4" Body   |                        | Detail Rev.   |
| Part Number<br>Numéro Pièce 5412ESSMCH081004NOIPB  |                        | Rev. 3<br>0   |

SEE BILL OF MATERIAL ON LAST PAGE 5412ESSMCH081004NOIPB

This drawing is confidential and must not be reproduced or used without the consent of EXM

Ce dessin est confidentiel et ne doit pas être reproduit ou utilisé sans le consentement de EXM

| STANDARD FEATURES ARE NOT LISTED IN THIS HOLE TABLE |       |       |                             |
|---|-------|-------|-----------------------------|
| HOLE TABLE - LEFT VIEW (CUSTOM FEATURE ONLY)        |       |       |                             |
| CUT-OUT   | XDIM  | YDIM  | DESCRIPTION                 |
| 1   | 2.625 | 0.875 | STANDOFF M6 x 10mm (Inside) |

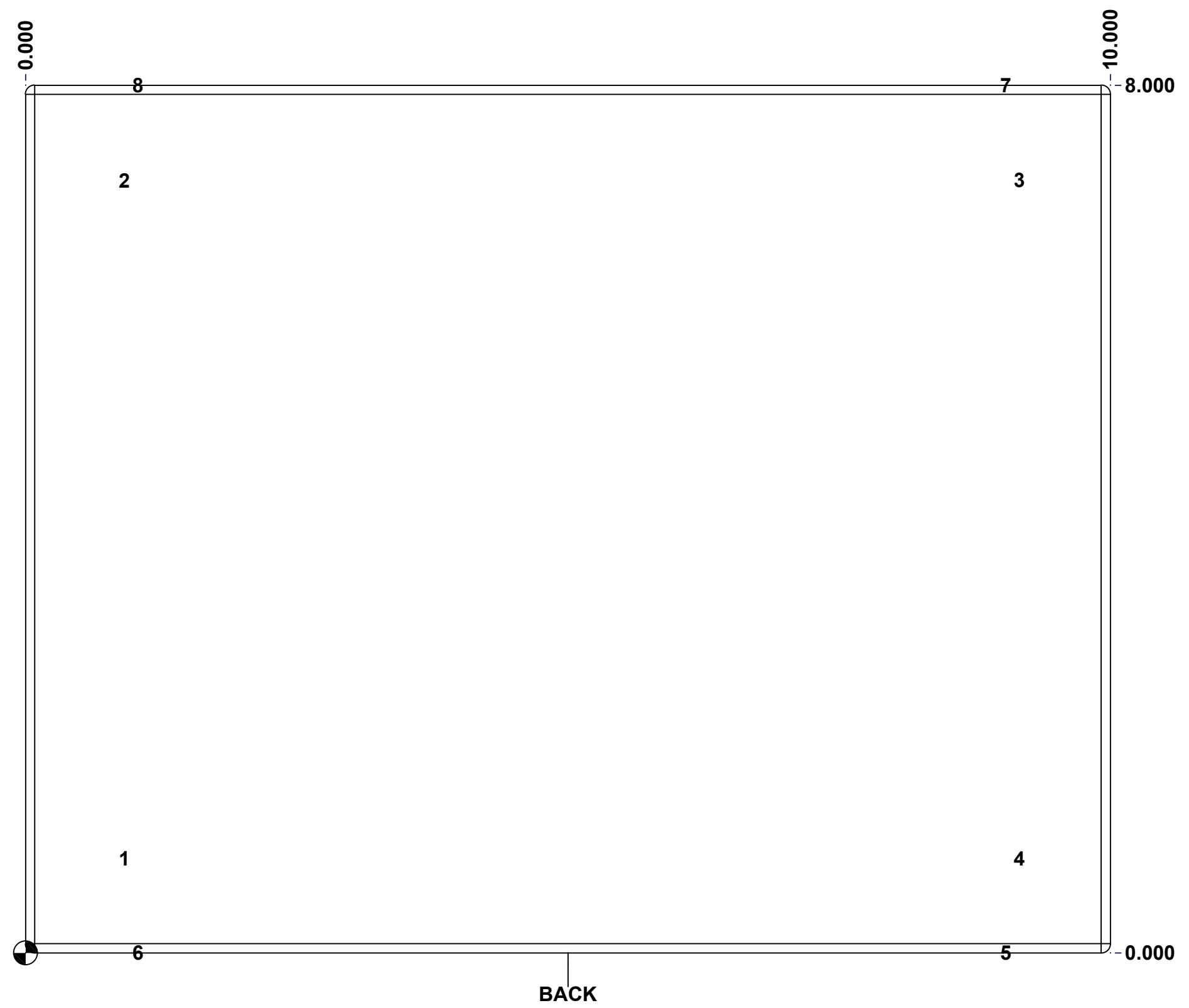


|  |                               |          |
|--|-------------------------------|----------|
|  | Description                   | Status   |
|  | 5412ESSMCH 8" x 10" x 4" Body | (NULL)   |
|  | Part Number<br>Numéro Pièce   | Rev.     |
|  | <b>5412ESSMCH081004NOIPB</b>  | <b>0</b> |
|  |                               | 4        |
|  |                               | 9        |

This drawing is confidential and must not be reproduced or used without the consent of EXM

Ce dessin est confidentiel et ne doit pas être reproduit ou utilisé sans le consentement de EXM

| STANDARD FEATURES ARE NOT LISTED IN THIS HOLE TABLE |       |       |                                |
|---|-------|-------|--------------------------------|
| HOLE TABLE - BACK VIEW (CUSTOM FEATURE ONLY)        |       |       |                                |
| CUT-OUT   | XDIM  | YDIM  | DESCRIPTION                    |
| 1   | 0.875 | 0.875 | IP STANDOFF M6 x 10mm (Inside) |
| 2   | 0.875 | 7.125 | IP STANDOFF M6 x 10mm (Inside) |
| 3   | 9.125 | 7.125 | IP STANDOFF M6 x 10mm (Inside) |
| 4   | 9.125 | 0.875 | IP STANDOFF M6 x 10mm (Inside) |
| -----   |       |       |                                |
| 5   | 9.000 | 0.000 | FOOT 885 ESCHMF2               |
| 6   | 1.000 | 0.000 | FOOT 885 ESCHMF2               |
| 7   | 9.000 | 8.000 | FOOT 885 ESCHMF2               |
| 8   | 1.000 | 8.000 | FOOT 885 ESCHMF2               |

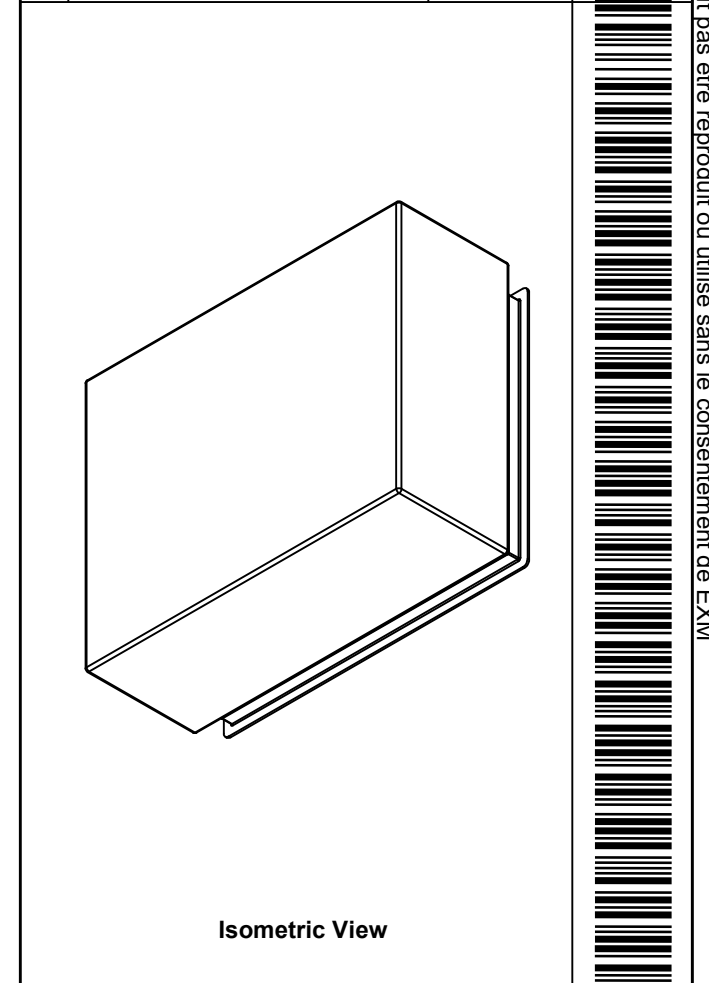



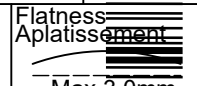
|  |                               |          |
|--|-------------------------------|----------|
|  | Description                   | Status   |
|  | 5412ESSMCH 8" x 10" x 4" Body | (NULL)   |
|  | Part Number<br>Numéro Pièce   | Rev.     |
|  | <b>5412ESSMCH081004NOIPB</b>  | <b>0</b> |
|  |                               | 5        |
|  |                               | 9        |

This drawing is confidential and must not be reproduced or used without the consent of EXM

Ce dessin est confidentiel et ne doit pas être reproduit ou utilisé sans le consentement de EXM

| No. | Revisions | Date | By/Par |
|-----|-----------|------|--------|
|     |           |      |        |
|     |           |      |        |
|     |           |      |        |
|     |           |      |        |
|     |           |      |        |



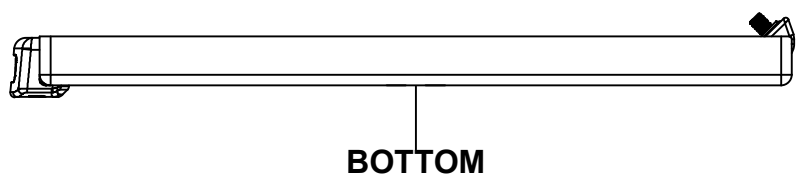
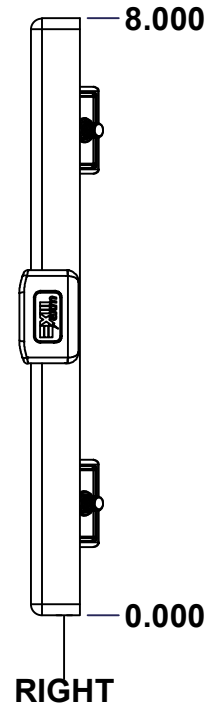
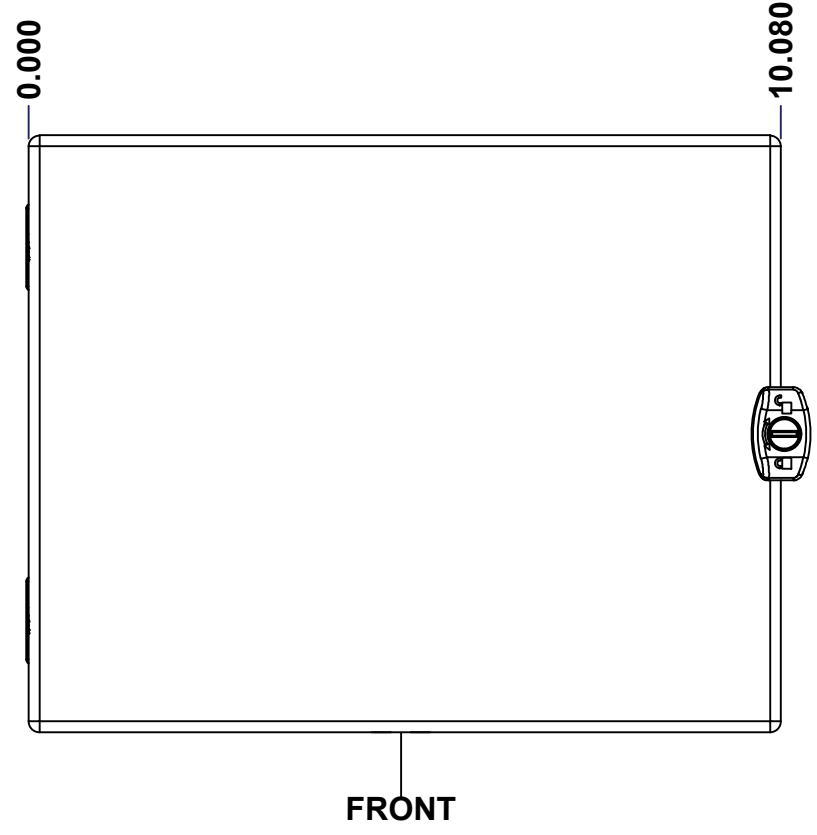
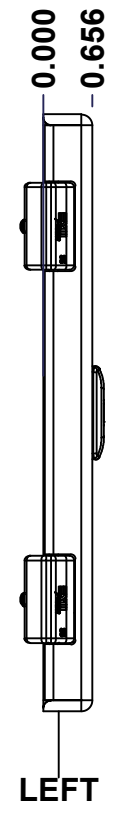
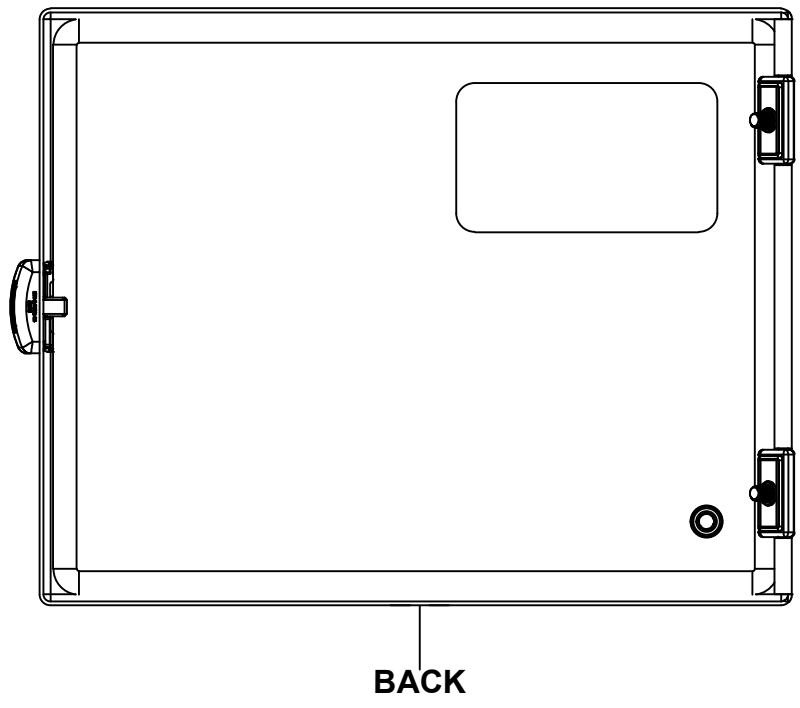
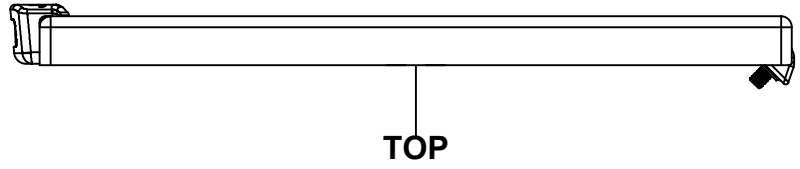
|  |                        |  |
|--|------------------------|--|
|  Tél: (450) 979-4373<br>Fax: (450) 979-4626<br><a href="http://www.exmweb.com">www.exmweb.com</a> |                        | Flatness<br>Aplatissement<br> Max 3.0mm |
| Customer Client  |                        | Date   |
| Drawn By<br>Dessiné Par BoxCad: BoxCad   |                        | Date 09-Mar-23   |
| Material<br>Matière 16 Ga Stainless Steel 304 (1.4mm)  |                        |  |
| Color<br>Couleur Unpainted   | Finish<br>Fini Brushed |  |
| Description<br>5412ESSMCH 8" x 10" x 4" Body   |                        | Detail Rev.  |
| Part Number<br>Numéro Pièce <b>5412ESSMCH081004NOIPB</b>   |                        | Rev. <b>0</b>  |

| Qty        | Part Number             | Rev | Description   |
|------------|-------------------------|-----|---|
| 1          | STK-Q-08100             | 1   | M5 Nylon Insert Lock Nut                              |
| 1          | 5412ESSMCH081004NOIPB-P | 0   | 5412ESSMCH 8" x 10" x 4" Body Part                    |
| 1          | STK-A-70469             | 6   | 5412 ESSMCH - Stainless Steel 316 Body Catch Assembly |
| 5          | STK-Q-08500             | 4   | Stainless Steel Standoff M6 x 10mm                    |
| Parts List |                         |     |   |

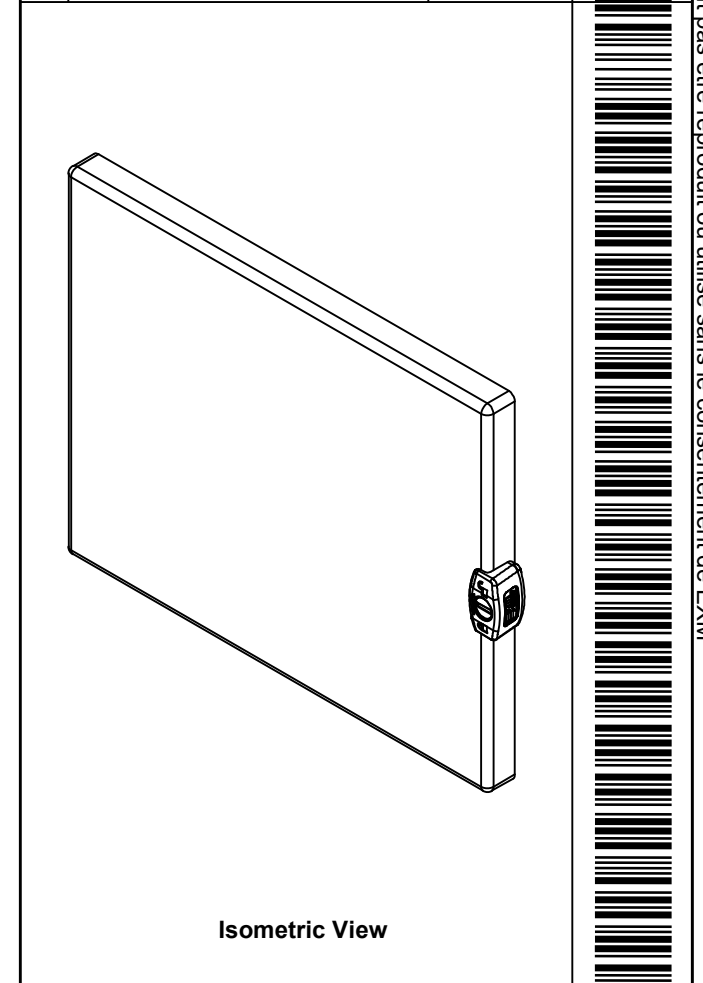
|   |
|---|
| 6 |
| 9 |


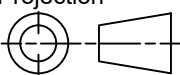
This drawing is confidential and must not be reproduced or used without the consent of EXM

Ce dessin est confidentiel et ne doit pas être reproduit ou utilisé sans le consentement de EXM



| No. | Revisions | Date | By/Par |
|-----|-----------|------|--------|
|     |           |      |        |
|     |           |      |        |
|     |           |      |        |
|     |           |      |        |

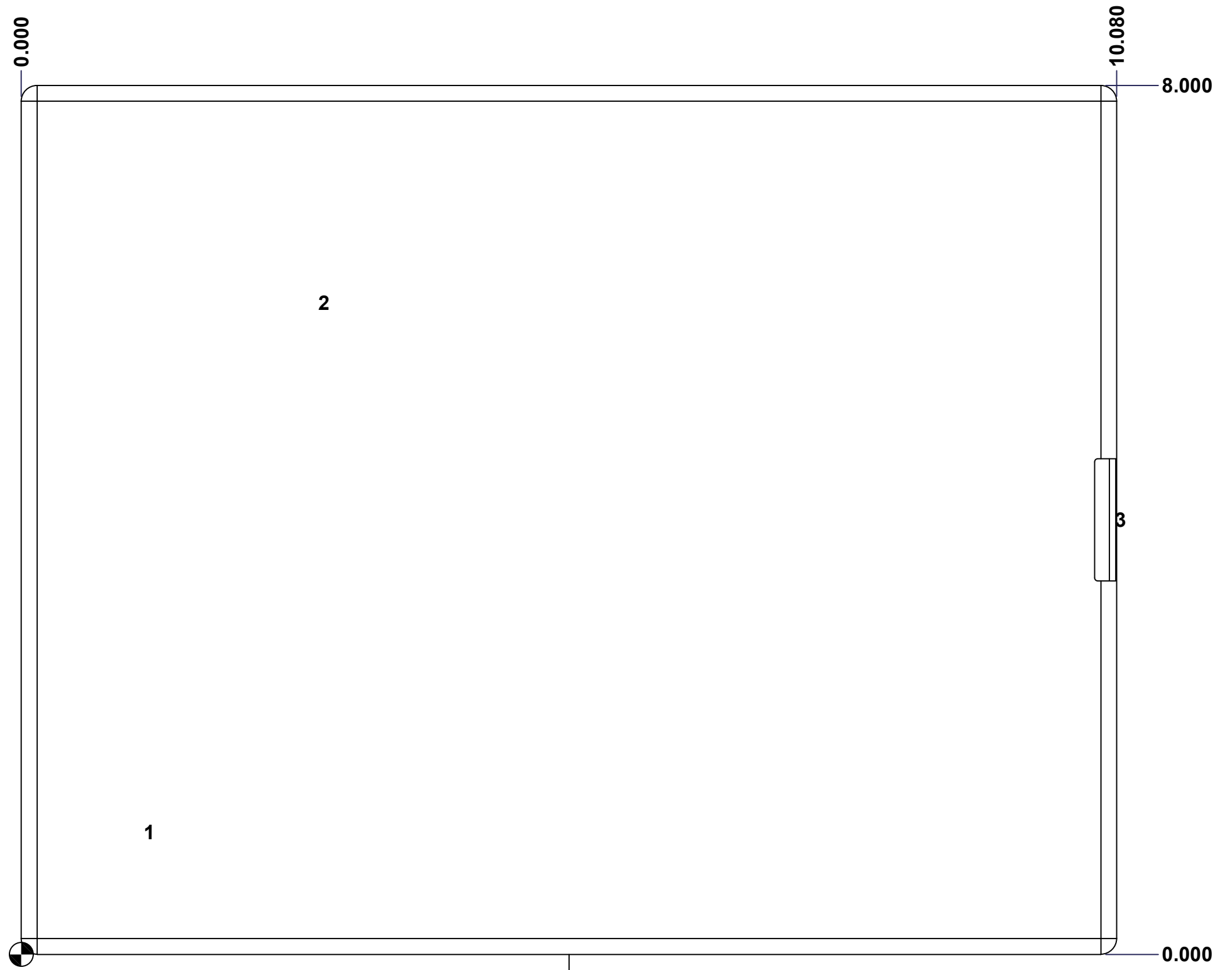


|  |                                   |                           |   |
|--|-----------------------------------|---------------------------|---|
|  Tél: (450) 979-4373<br>Fax: (450) 979-4626<br><a href="http://www.exmweb.com">www.exmweb.com</a> |                                   | Flatness<br>Aplatissement | Max 3.0mm   |
|  |                                   | Projection                |  |
| Customer<br>Client   | Date                              |                           |   |
| Drawn By<br>Dessiné Par  | BoxCad: BoxCad                    | Date                      | 09-Mar-23   |
| Material<br>Matière  | 16 Ga Stainless Steel 304 (1.4mm) |                           |   |
| Color<br>Couleur   | Unpainted                         | Finish<br>Fini            | Brushed   |
| Description  |                                   | Detail Rev.               |   |
| 5412ESSMCH 8" x 10" Cover  |                                   |                           |   |
| Part Number<br>Numéro Pièce  | Rev.                              | 7                         | 9   |
| SEE BILL OF MATERIAL ON LAST PAGE 5412ESSMCH081004NOIPC  |                                   | 0                         |   |

This drawing is confidential and must not be reproduced or used without the consent of EXM

Ce dessin est confidentiel et ne doit pas être reproduit ou utilisé sans le consentement de EXM

| STANDARD FEATURES ARE NOT LISTED IN THIS HOLE TABLE |        |       |                             |
|---|--------|-------|-----------------------------|
| HOLE TABLE - FRONT VIEW (CUSTOM FEATURE ONLY)       |        |       |                             |
| CUT-OUT   | XDIM   | YDIM  | DESCRIPTION                 |
| 1   | 1.145  | 1.125 | STANDOFF M6 x 10mm (Inside) |
| 2   | 2.750  | 6.000 | LABEL_EXM                   |
| 3   | 10.080 | 4.000 | LOCK 880 SCQ3MS @ 0.0°      |



FRONT

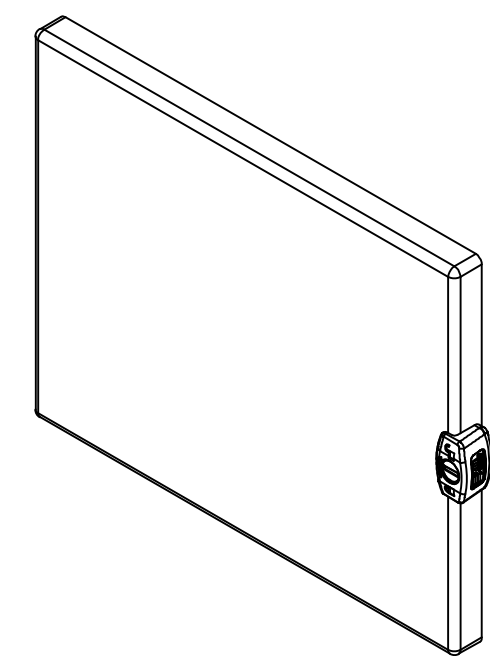
|  |                              |          |
|--|------------------------------|----------|
|  | Description                  | Status   |
|  | 5412ESSMCH 8" x 10" Cover    | (NULL)   |
|  | Part Number<br>Numéro Pièce  | Rev.     |
|  | <b>5412ESSMCH081004NOIPC</b> | <b>0</b> |
|  |                              | 8        |
|  |                              | 9        |



This drawing is confidential and must not be reproduced or used without the consent of EXM


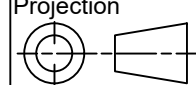
Ce dessin est confidentiel et ne doit pas être reproduit ou utilisé sans le consentement de EXM

| No. | Revisions | Date | By/Par |
|-----|-----------|------|--------|
|     |           |      |        |
|     |           |      |        |
|     |           |      |        |
|     |           |      |        |
|     |           |      |        |



Isometric View



|  |                                   |   |
|--|-----------------------------------|---|
|  Tél: (450) 979-4373<br>Fax: (450) 979-4626<br><a href="http://www.exmweb.com">www.exmweb.com</a> |                                   | Flatness<br>Aplatissement<br>Max 3.0mm<br>Projection<br> |
| Customer Client  | Date                              |   |
| Drawn By<br>Dessiné Par  | BoxCad: BoxCad                    | Date 09-Mar-23  |
| Material<br>Matière  | 16 Ga Stainless Steel 304 (1.4mm) |   |
| Color<br>Couleur   | Unpainted                         | Finish<br>Fini Brushed  |
| Description  |                                   | Detail Rev.   |
| 5412ESSMCH 8" x 10" Cover  |                                   |   |
| Part Number<br>Numéro Pièce  | Rev.                              | 9   |
| <b>5412ESSMCH081004NOIPC</b>   | <b>0</b>                          | <b>9</b>  |

| Qty        | Part Number              | Rev | Description  |
|------------|--------------------------|-----|--|
| 1          | 5412ESSMCH081004NOI PG   | 0   | 5412ESSMCH 8" x 10" Gasket                                   |
| 1          | 880SCQ3S                 | 4   | 5412 ESSMCH - Stainless Steel External Lock Assy - Slot Lock |
| 1          | STK-S-00100              | 0   | 3.5" x 2" Silver Milar Flexcon Sticker                       |
| 1          | STK-Q-08500              | 4   | Stainless Steel Standoff M6 x 10mm                           |
| 1          | 5412ESSMCH081004NOI PC-P | 0   | 5412ESSMCH 8" x 10" Cover Part                               |
| 2          | STK-A-33038              | 3   | 5412 ESSMCH - Stainless Steel Hinge                          |
| Parts List |                          |     |  |