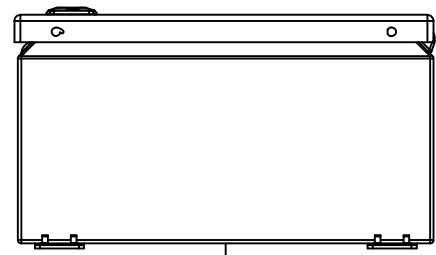
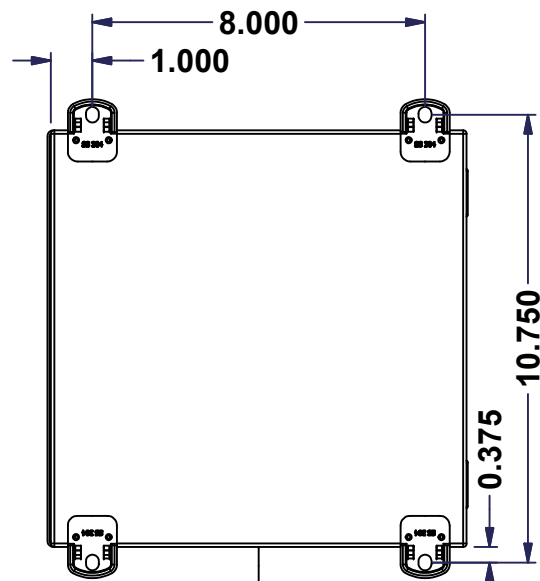


This drawing is confidential and must not be reproduced or used without the consent of EXM

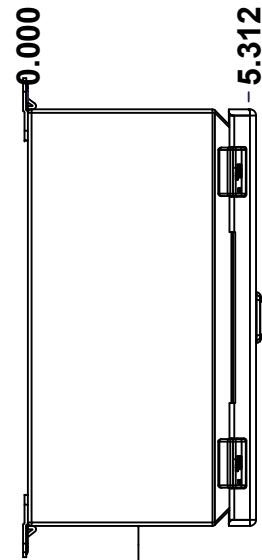
Ce dessin est confidentiel et ne doit pas être reproduit ou utilisé sans le consentement de EXM



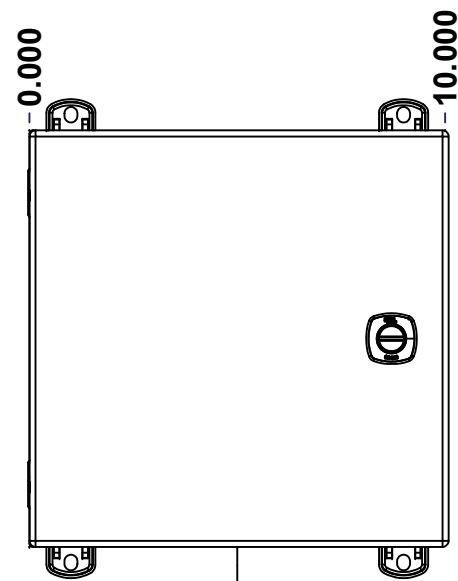
TOP



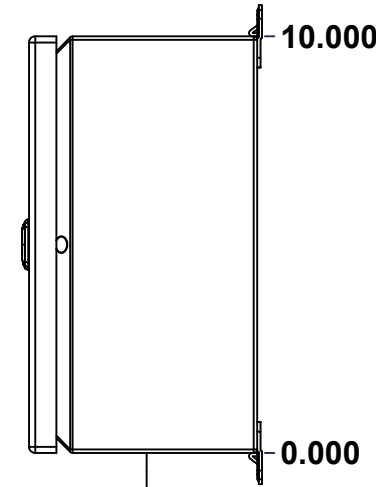
BACK



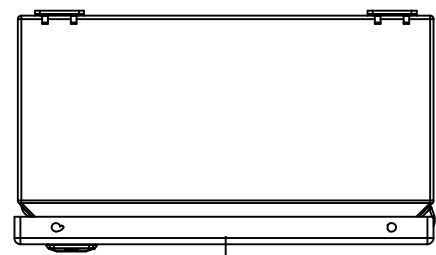
LEFT



FRONT

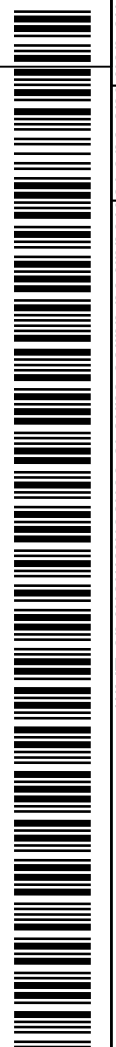
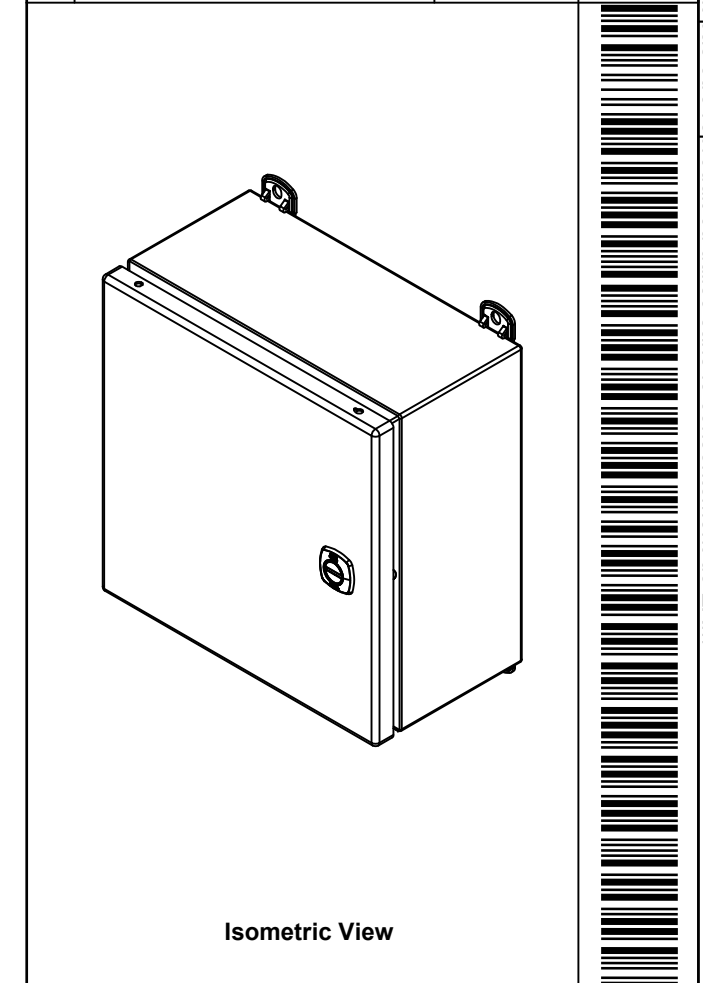


RIGHT



BOTTOM

| No. | Revisions | Date | By/Par |
|-----|-----------|------|--------|
| | | | |
| | | | |
| | | | |
| | | | |
| | | | |



| | | |
|--|-----------------------------------|--|
| | | Flatness Aplatisse Max 3.0mm Projection |
| Tél: (450) 979-4373 Fax: (450) 979-4626 www.exmweb.com | | Date Date 19-Nov-21 |
| Customer Client | BoxCad: BoxCad | |
| Material Matière | 16 Ga Stainless Steel 316 (1.4mm) | |
| Color Couleur | Asa-61 Grey | Finish Fini Smooth |
| Description | 5412ESSMP 10" x 10" x 5" Assembly | |
| Part Number Numéro Pièce | Rev. 0 | 1 / 2 |

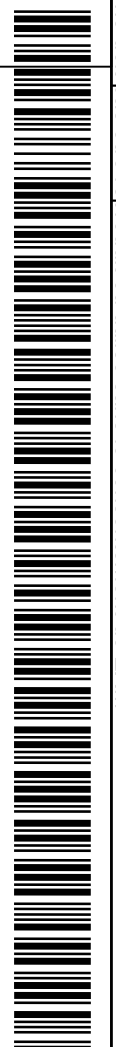
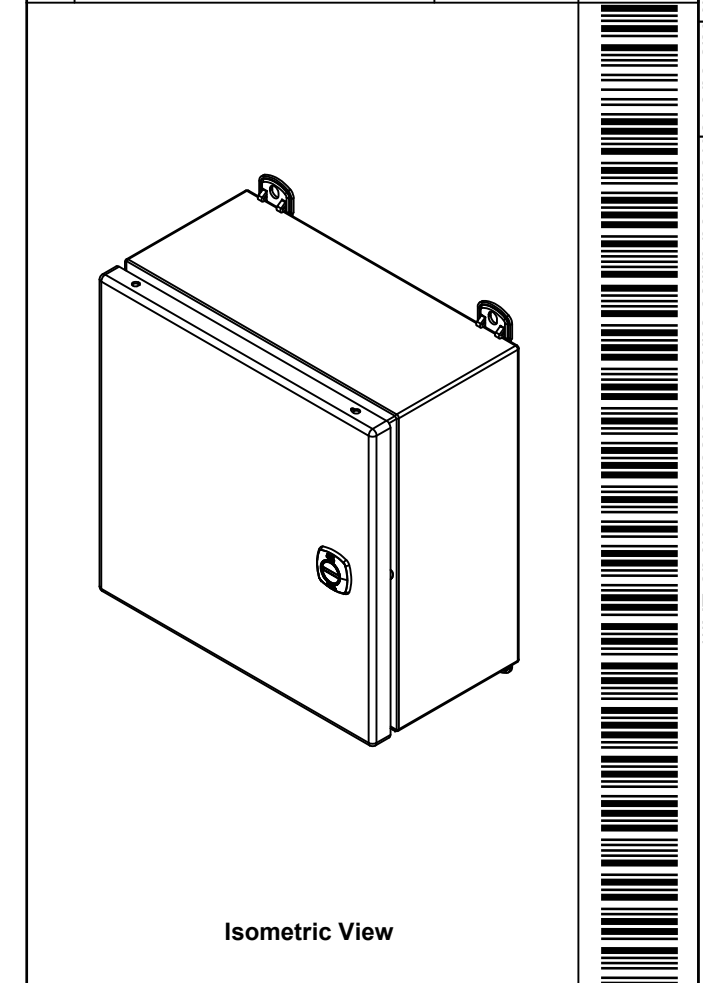
SEE BILL OF MATERIAL ON LAST PAGE **5412ESSMP1010056NOIP**

This drawing is confidential and must not be reproduced or used without the consent of EXM

Ce dessin est confidentiel et ne doit pas être reproduit ou utilisé sans le consentement de EXM

| NOTE | |
|------|--|
| ITEM | DESCRIPTION |
| 1 | NEMA 4X Enclosure |
| 2 | C/W Standard ground standoffs on box and cover |
| 3 | W/O Standard door stiffener |
| 4 | W/O Inner panel |
| 5 | C/W Standard inner panel mounting standoffs |
| 6 | C/W 885 ESCHMF2 Mounting Feet (Welded) |

| No. | Revisions | Date | By/Par |
|-----|-----------|------|--------|
| | | | |
| | | | |
| | | | |
| | | | |
| | | | |
| | | | |
| | | | |



| | | |
|---|--|--|
| | Tél: (450) 979-4373 Fax: (450) 979-4626 www.exmweb.com | Flatness Aplatissement Max 3.0mm |
| | | Projection |
| Customer Client | Date | |
| Drawn By / Dessiné Par: BoxCad: BoxCad | Date: 19-Nov-21 | |
| Material / Matière: 16 Ga Stainless Steel 316 (1.4mm) | | |

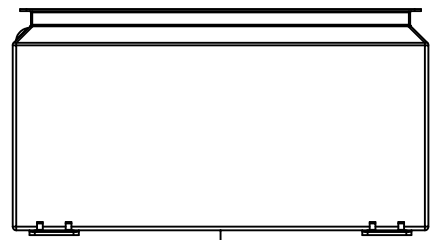
| PACKING | | |
|-----------------|-----|--|
| ITEM | QTY | DESCRIPTION |
| STK-E-04312 | 1 | CARTON 5412 ESCH101005 |
| Plastic bag | 1 | To protect cover surface and inside gasket |
| Packaging label | 1 | White label with product number |
| STK-S-01100 | 1 | ESCH EXM SQUARE STICKER |

| Qty | Part Number | Rev | Description |
|------------|---------------------------|-----|-------------------------------|
| 1 | STK-K-02910 | 3 | 5412 ESCH Accessory Kit |
| 1 | 5412ESSMP1010056NOI PC | 0 | 5412ESSMP 10" x 10" Cover |
| 1 | 5412ESSMP1010056NOI PB | 0 | 5412ESSMP 10" x 10" x 5" Body |
| 2 | STK-Q-08100 | 1 | M5 Nylon Insert Lock Nut |
| Parts List | | | |

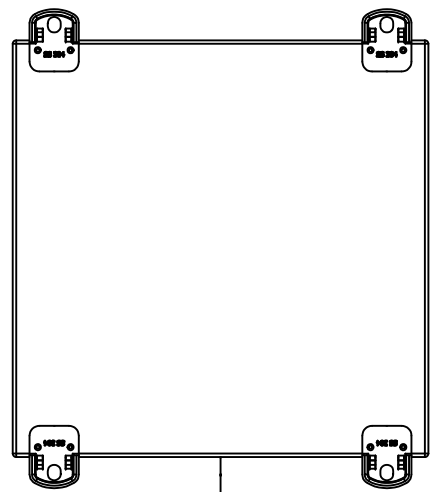
| | |
|---|-----------------------|
| Color / Couleur: Asa-61 Grey | Finish / Fini: Smooth |
| Description: 5412ESSMP 10" x 10" x 5" Assembly | Detail Rev. |
| Part Number / Numéro Pièce: 5412ESSMP1010056NOIP | Rev. 0 |

This drawing is confidential and must not be reproduced or used without the consent of EXM

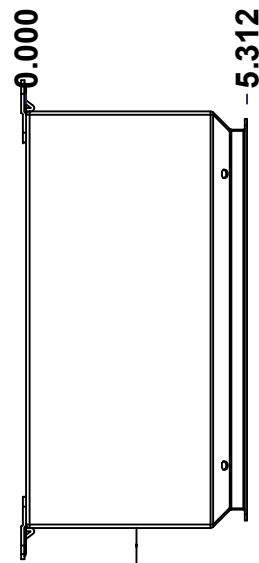
Ce dessin est confidentiel et ne doit pas être reproduit ou utilisé sans le consentement de EXM



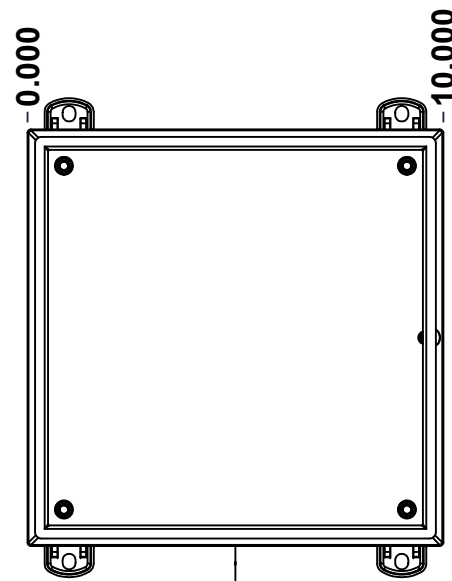
TOP



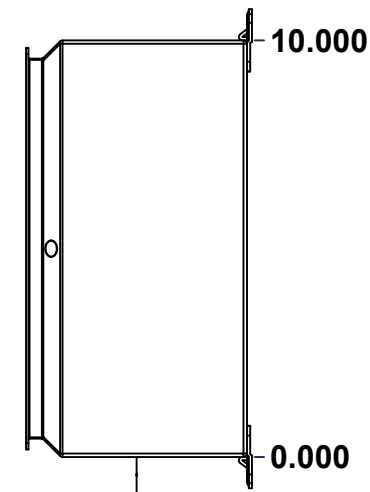
BACK



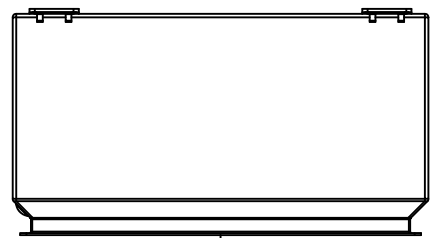
LEFT



FRONT

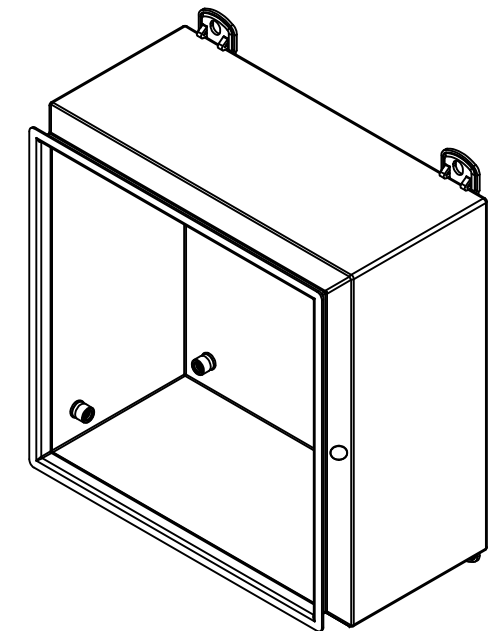


RIGHT



BOTTOM

| No. | Revisions | Date | By/Par |
|-----|-----------|------|--------|
| | | | |
| | | | |
| | | | |
| | | | |



Isometric View



Tél: (450) 979-4373
 Fax: (450) 979-4626
www.exmweb.com

Flatness
Aplatissement
Max 3.0mm
Projection

| | |
|---|-----------------------|
| Customer Client | Date |
| Drawn By / Dessiné Par: BoxCad: BoxCad | Date: 19-Nov-21 |
| Material / Matière: 16 Ga Stainless Steel 316 (1.4mm) | |
| Color / Couleur: Asa-61 Grey | Finish / Fini: Smooth |
| Description: 5412ESSMP 10" x 10" x 5" Body | Detail Rev. |

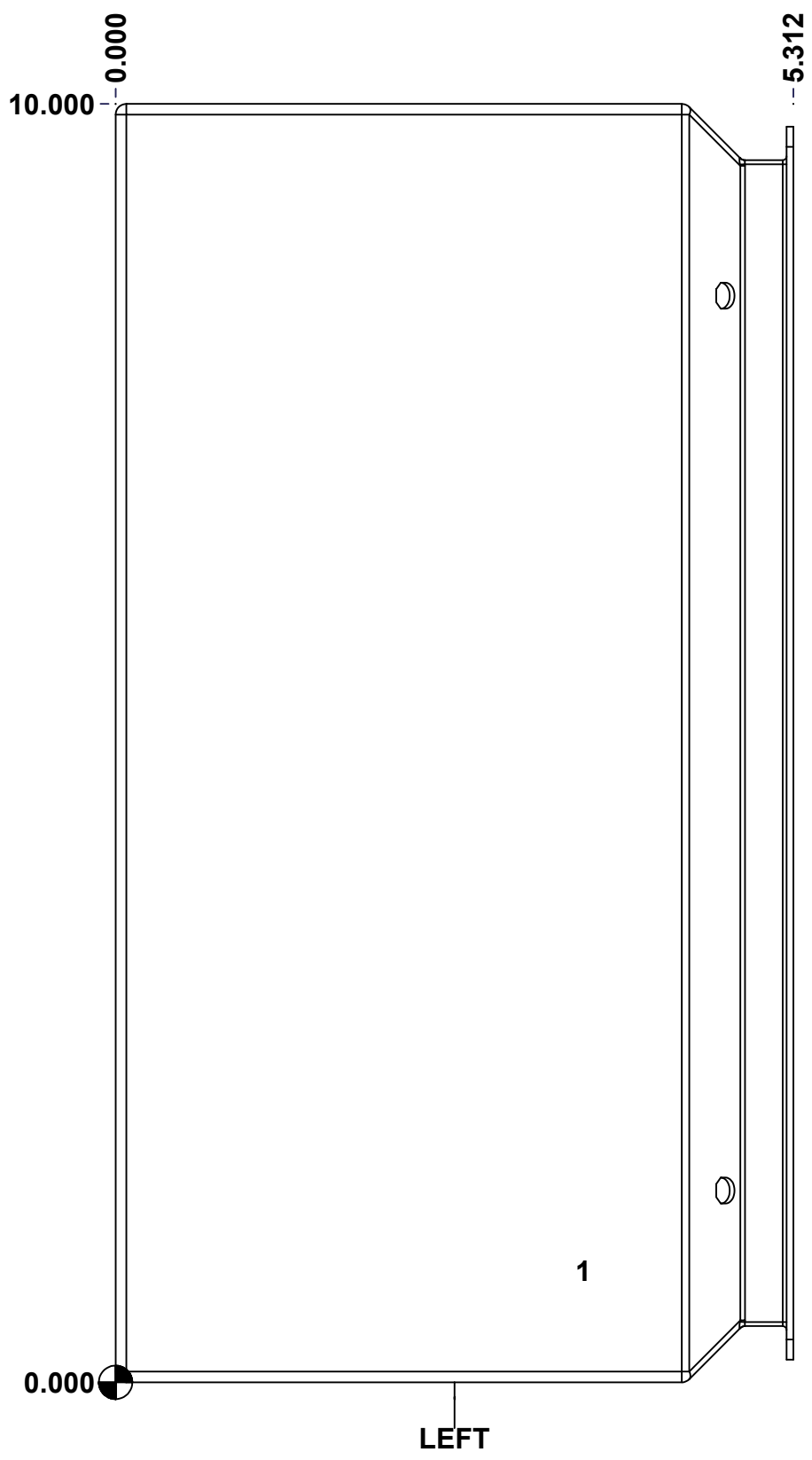
| | | |
|---|--------|-------|
| Part Number / Numéro Pièce: 5412ESSMP1010056NOIPB | Rev. 0 | 1 / 7 |
|---|--------|-------|

SEE BILL OF MATERIAL ON LAST PAGE 5412ESSMP1010056NOIPB

This drawing is confidential and must not be reproduced or used without the consent of EXM

Ce dessin est confidentiel et ne doit pas être reproduit ou utilisé sans le consentement de EXM

| STANDARD FEATURES ARE NOT LISTED IN THIS HOLE TABLE | | | |
|---|-------|-------|-----------------------------|
| HOLE TABLE - LEFT VIEW (CUSTOM FEATURE ONLY) | | | |
| CUT-OUT | XDIM | YDIM | DESCRIPTION |
| 1 | 3.625 | 0.875 | STANDOFF M6 x 10mm (Inside) |



| | | | | |
|--|-------------------------------|--|----------|--------|
| | Description | | Status | |
| | 5412ESSMP 10" x 10" x 5" Body | | (NULL) | |
| | Part Number Numéro Pièce | | Rev. | |
| | 5412ESSMP1010056NOIPB | | 0 | 5 7 |

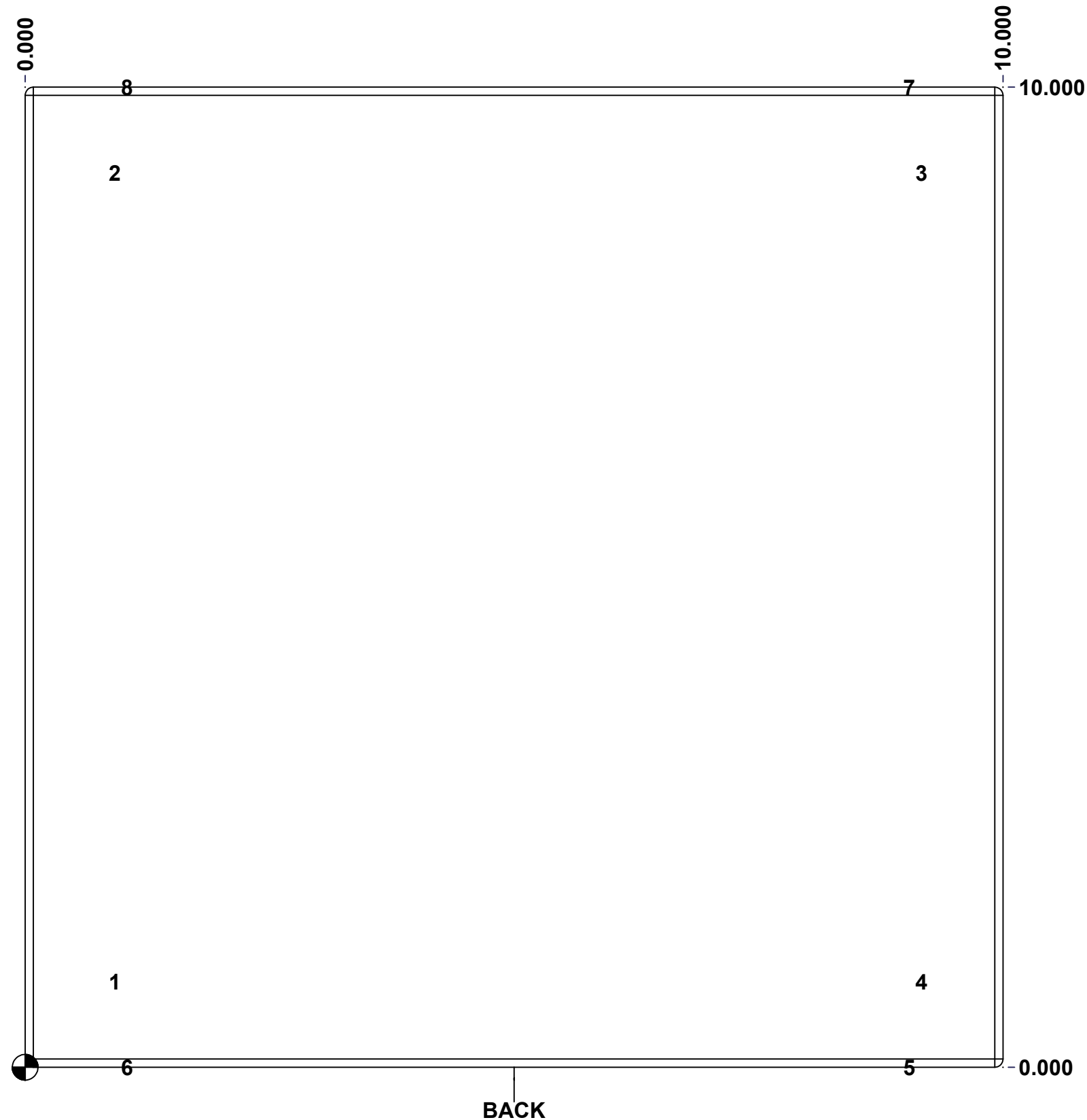
This drawing is confidential and must not be reproduced or used without the consent of EXM

Ce dessin est confidentiel et ne doit pas être reproduit ou utilisé sans le consentement de EXM

STANDARD FEATURES ARE NOT LISTED IN THIS HOLE TABLE

HOLE TABLE - BACK VIEW (CUSTOM FEATURE ONLY)

| CUT-OUT | XDIM | YDIM | DESCRIPTION |
|---------|-------|--------|--------------------------------|
| 1 | 0.875 | 0.875 | IP STANDOFF M6 x 10mm (Inside) |
| 2 | 0.875 | 9.125 | IP STANDOFF M6 x 10mm (Inside) |
| 3 | 9.125 | 9.125 | IP STANDOFF M6 x 10mm (Inside) |
| 4 | 9.125 | 0.875 | IP STANDOFF M6 x 10mm (Inside) |
| ----- | | | |
| 5 | 9.000 | 0.000 | FOOT 885 ESCHMF2 |
| 6 | 1.000 | 0.000 | FOOT 885 ESCHMF2 |
| 7 | 9.000 | 10.000 | FOOT 885 ESCHMF2 |
| 8 | 1.000 | 10.000 | FOOT 885 ESCHMF2 |

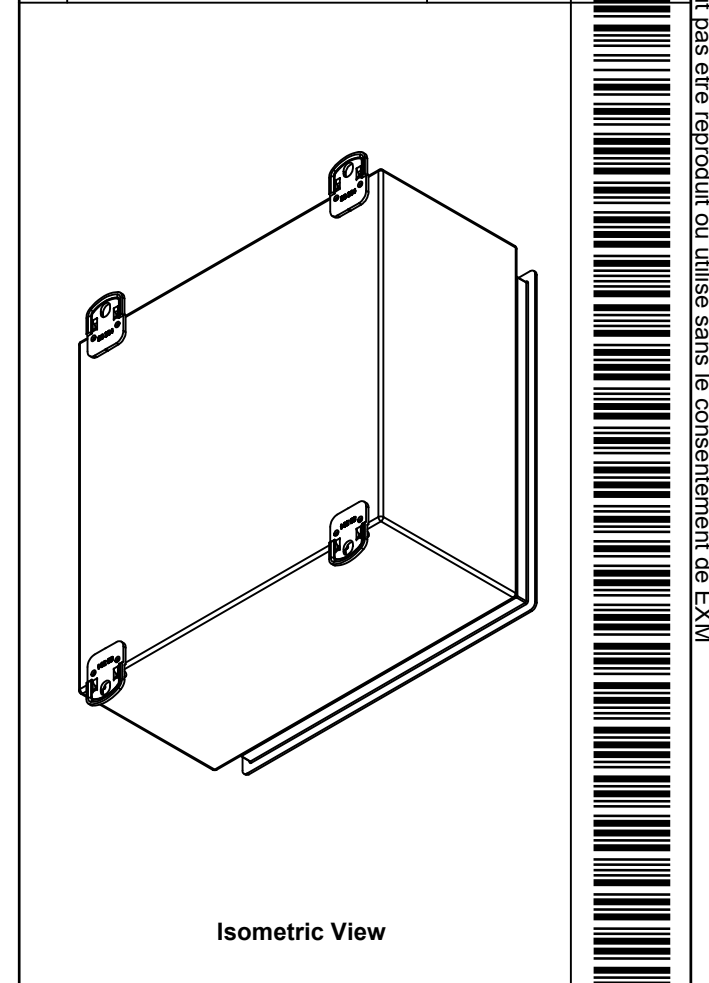




| | | |
|---|-------------------------------|--------|
| | Description | Status |
| | 5412ESSMP 10" x 10" x 5" Body | (NULL) |
| Part Number Numéro Pièce 5412ESSMP1010056NOIPB | Rev. | 6 |
| | 0 | 7 |

This drawing is confidential and must not be reproduced or used without the consent of EXM

Ce dessin est confidentiel et ne doit pas être reproduit ou utilisé sans le consentement de EXM

| No. | Revisions | Date | By/Par |
|-----|-----------|------|--------|
| | | | |
| | | | |
| | | | |
| | | | |
| | | | |



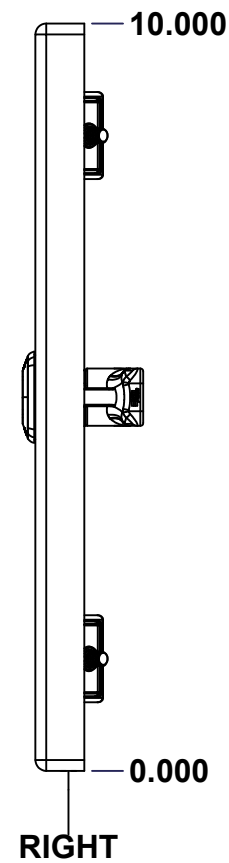
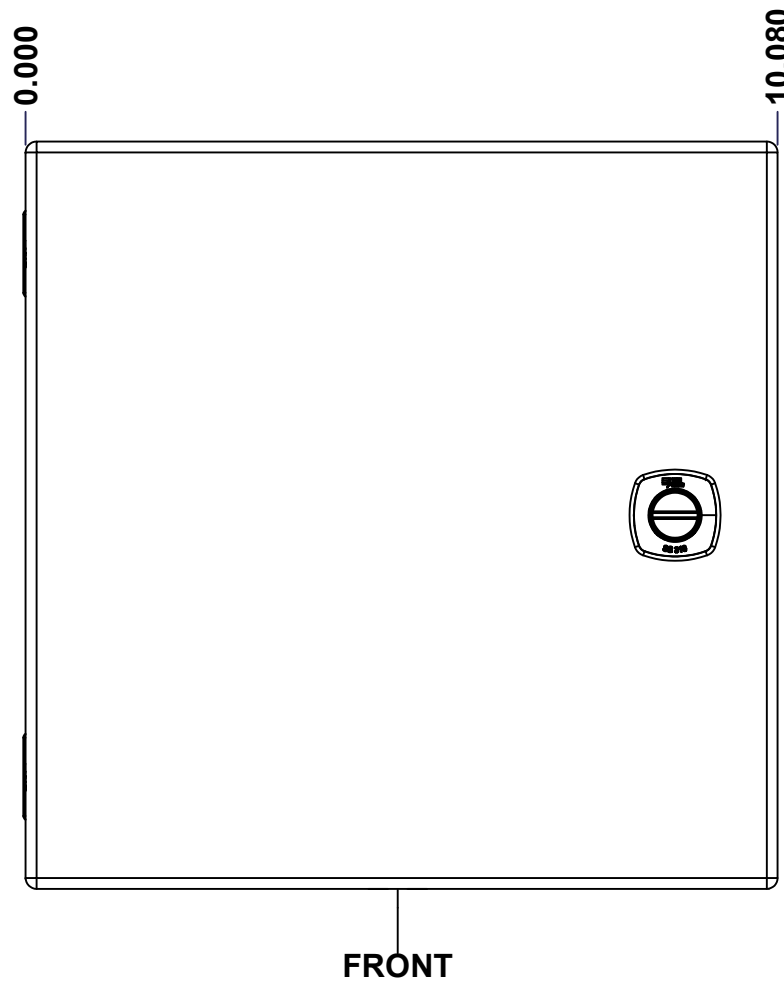
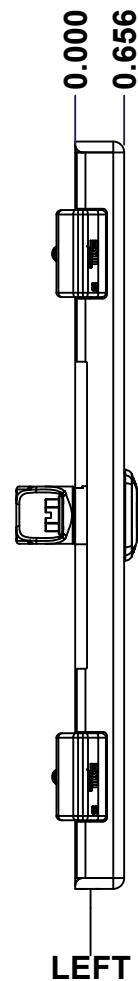
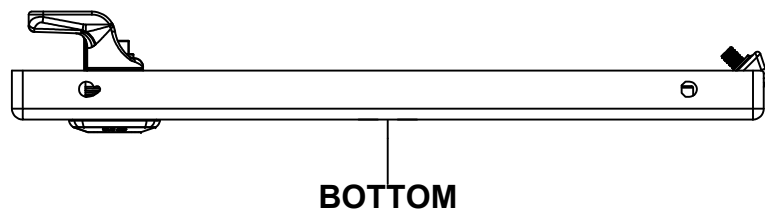
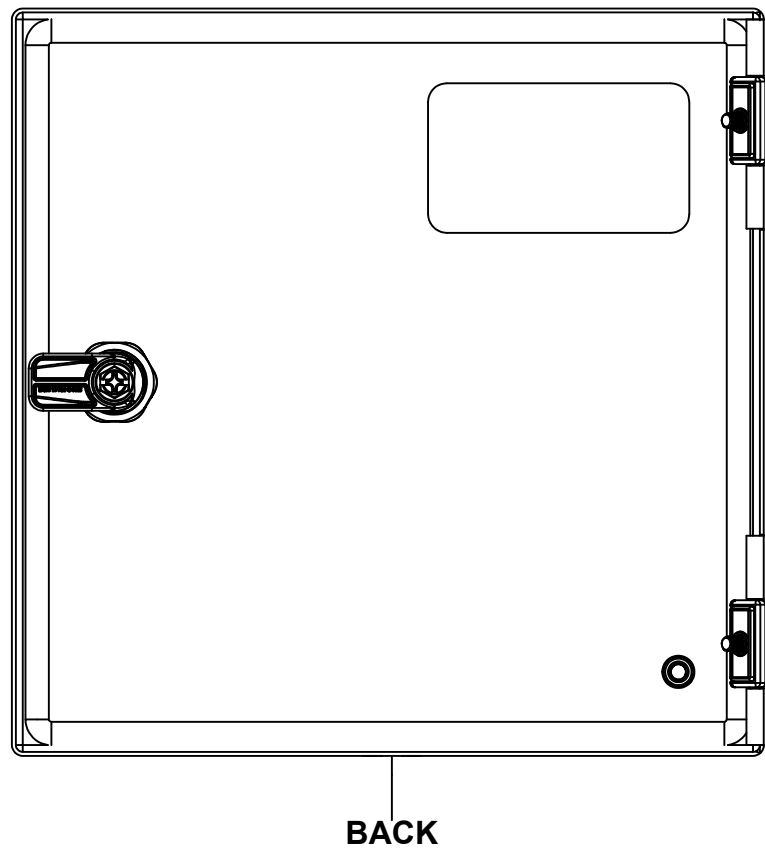
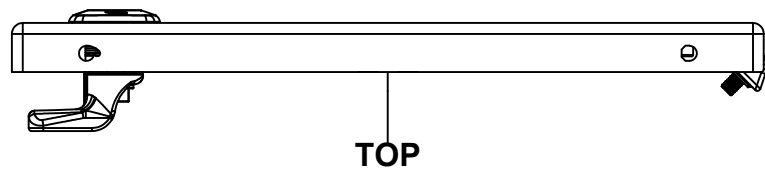
| | | |
|--|--|--|
|  Tél: (450) 979-4373 Fax: (450) 979-4626 www.exmweb.com | | Flatness Aplatissement  Max 3.0mm |
| Customer Client | | Date |
| Drawn By Dessiné Par BoxCad: BoxCad | | Date 19-Nov-21 |
| Material Matière 16 Ga Stainless Steel 316 (1.4mm) | | |
| Color Couleur Asa-61 Grey | | Finish Fini Smooth |
| Description 5412ESSMP 10" x 10" x 5" Body | | Detail Rev. |
| Part Number Numéro Pièce 5412ESSMP1010056NOIPB | | Rev. 0 |

| Qty | Part Number | Rev | Description |
|------------|-------------------------|-----|--|
| 1 | STK-Q-00200 | 0 | M5 x 8mm Stainless Steel 316 Carriage Bolt with Nyseal |
| 1 | STK-Q-08112 | 3 | M5 Stainless Steel 304 Nylon Insert Dome Nut |
| 1 | STK-P-02400S | 0 | Powder Paint (Asa-61 Grey / Smooth) |
| 1 | 5412ESSMP1010056NOIPB-P | 0 | 5412ESSMP 10" x 10" x 5" Body Part |
| 4 | STK-Q-71316 | 4 | 5412 ESSMCH Stainless Steel Mounting Foot |
| 5 | STK-Q-08500 | 4 | Stainless Steel Standoff M6 x 10mm |
| Parts List | | | |

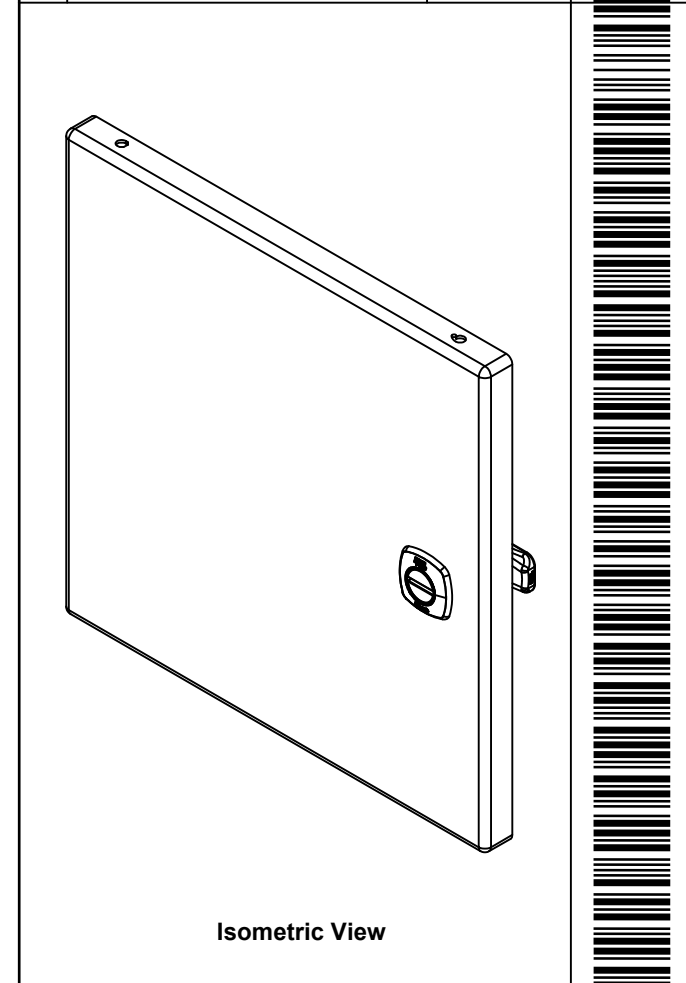
| |
|---|
| 7 |
| 7 |



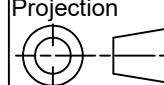
This drawing is confidential and must not be reproduced or used without the consent of EXM

Ce dessin est confidentiel et ne doit pas être reproduit ou utilisé sans le consentement de EXM



| No. | Revisions | Date | By/Par |
|-----|-----------|------|--------|
| | | | |
| | | | |
| | | | |
| | | | |



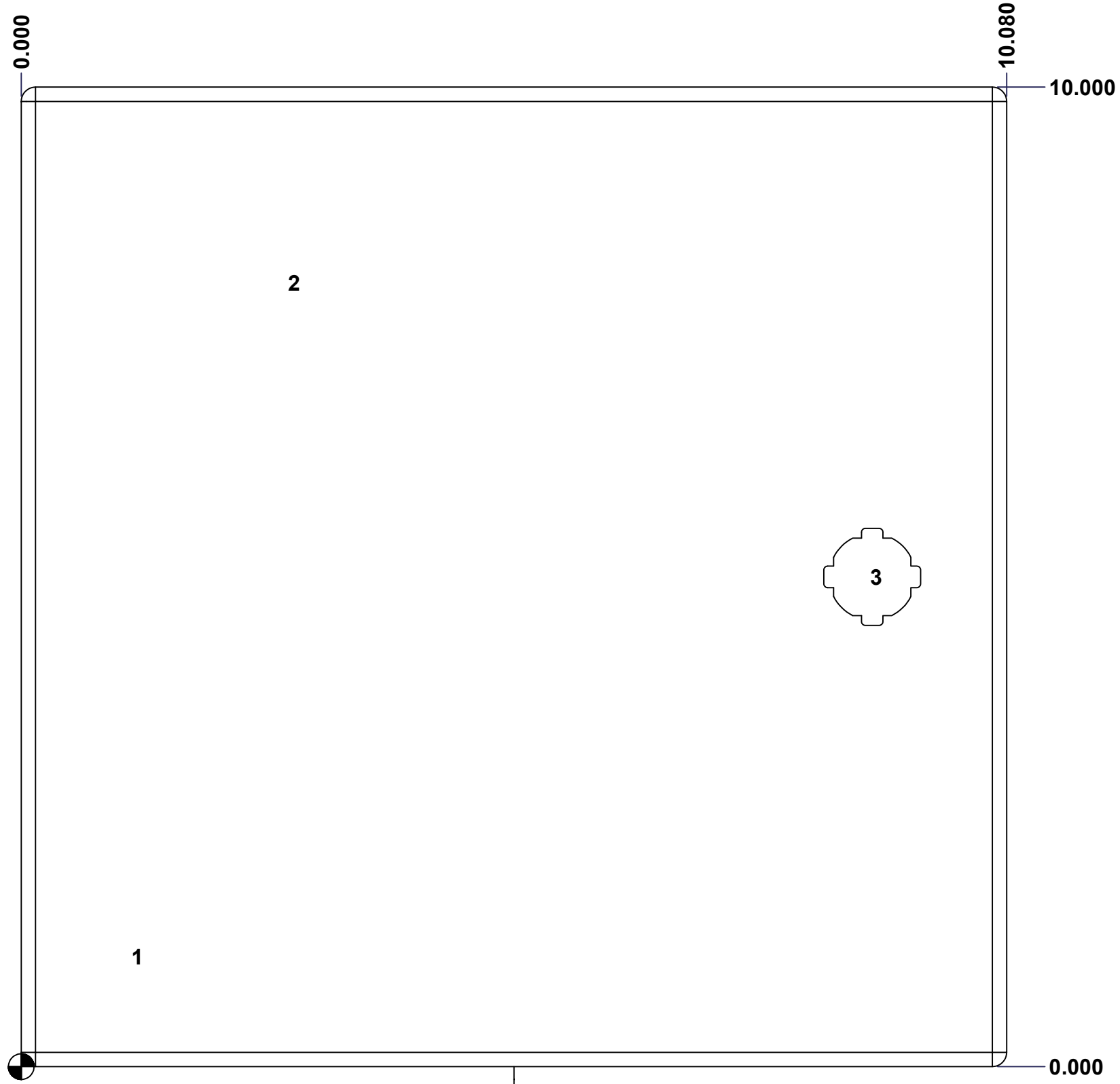
| | | |
|--|-----------------------------------|---|
|  Tél: (450) 979-4373 Fax: (450) 979-4626 www.exmweb.com | | Flatness Aplatissement  Max 3.0mm Projection  |
| Customer Client | Date | |
| Drawn By Dessiné Par | BoxCad: BoxCad | Date 19-Nov-21 |
| Material Matière | 16 Ga Stainless Steel 316 (1.4mm) | |
| Color Couleur | Asa-61 Grey | Finish Fini Smooth |
| Description | | Detail Rev. |
| 5412ESSMP 10" x 10" Cover | | |
| Part Number Numéro Pièce | Rev. 0 | 1 3 |

SEE BILL OF MATERIAL ON LAST PAGE 5412ESSMP1010056NOIPC

This drawing is confidential and must not be reproduced or used without the consent of EXM

Ce dessin est confidentiel et ne doit pas être reproduit ou utilisé sans le consentement de EXM

| STANDARD FEATURES ARE NOT LISTED IN THIS HOLE TABLE | | | |
|---|-------|-------|-----------------------------|
| HOLE TABLE - FRONT VIEW (CUSTOM FEATURE ONLY) | | | |
| CUT-OUT | XDIM | YDIM | DESCRIPTION |
| 1 | 1.145 | 1.125 | STANDOFF M6 x 10mm (Inside) |
| 2 | 2.750 | 8.000 | LABEL_EXM |
| 3 | 8.705 | 5.000 | LOCK 880 SCQ4-SLSS6 @ 0.0° |



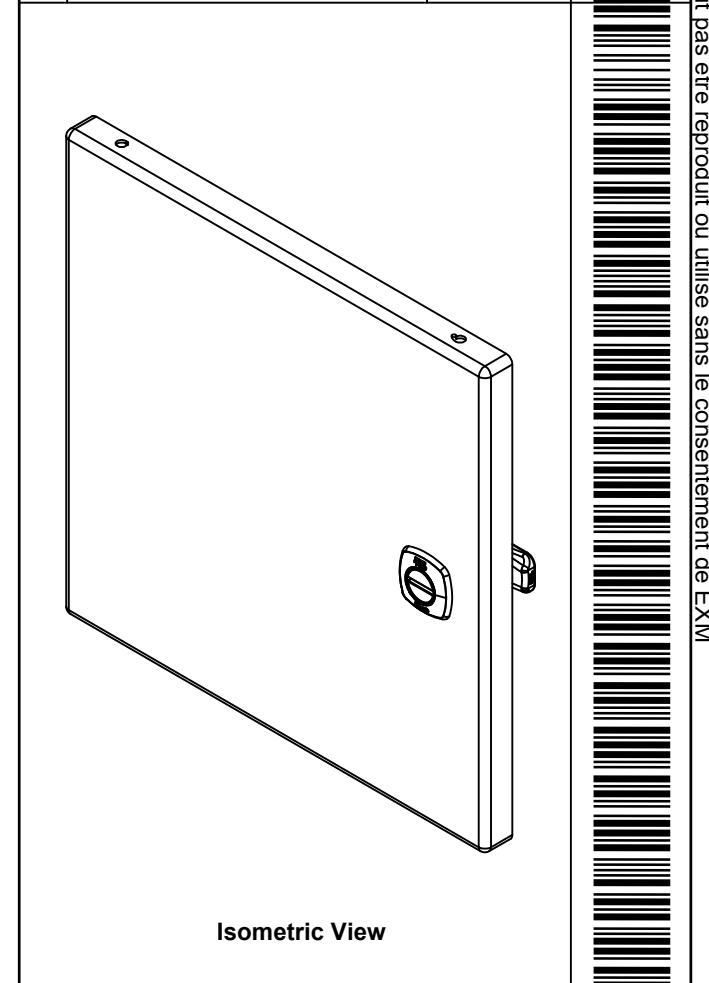
FRONT

| | | | |
|--|------------------------------|----------|--------|
| | Description | Status | |
| | 5412ESSMP 10" x 10" Cover | (NULL) | |
| | Part Number Numéro Pièce | Rev. | |
| | 5412ESSMP1010056NOIPC | 0 | 2 3 |

This drawing is confidential and must not be reproduced or used without the consent of EXM

Ce dessin est confidentiel et ne doit pas être reproduit ou utilisé sans le consentement de EXM

| No. | Revisions | Date | By/Par |
|-----|-----------|------|--------|
| | | | |
| | | | |
| | | | |
| | | | |
| | | | |




 Tél: (450) 979-4373
 Fax: (450) 979-4626
www.exmweb.com

Flatness / Aplatissement: Max 3.0mm
 Projection: 

Customer / Client: _____ Date: _____
 Drawn By / Dessiné Par: BoxCad: BoxCad Date: 19-Nov-21

Material / Matière: 16 Ga Stainless Steel 316 (1.4mm)

Color / Couleur: Asa-61 Grey Finish / Fini: Smooth

Description: 5412ESSMP 10" x 10" Cover
 Detail Rev.:

Part Number / Numéro Pièce: **5412ESSMP1010056NOIPC** Rev. 3

| Qty | Part Number | Rev | Description |
|------------|-----------------------------|-----|--|
| 1 | 880 SCQ4-SLSS6 | 7 | 5412 ESS 1/4 Turn Lock |
| 1 | 5412ESSMP1010056NOI PG | 0 | 5412ESSMP 10" x 10" Gasket |
| 1 | STK-S-00100 | 0 | 3.5" x 2" Silver Milar Flexcon Sticker |
| 1 | STK-Q-08500 | 4 | Stainless Steel Standoff M6 x 10mm |
| 1 | STK-P-02400S | 0 | Powder Paint (Asa-61 Grey / Smooth) |
| 1 | 5412ESSMP1010056NOI PC-P | 0 | 5412ESSMP 10" x 10" Cover Part |
| 2 | STK-A-33038 | 3 | 5412 ESSMCH - Stainless Steel Hinge |
| Parts List | | | |

Rev. 3