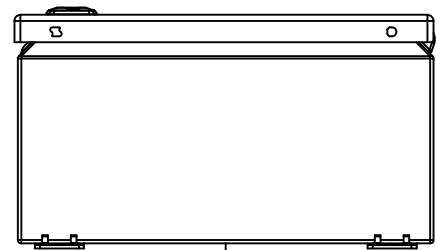
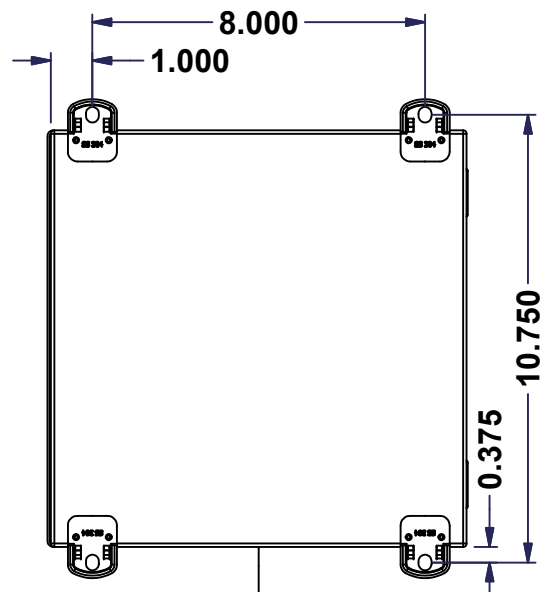


This drawing is confidential and must not be reproduced or used without the consent of EXM

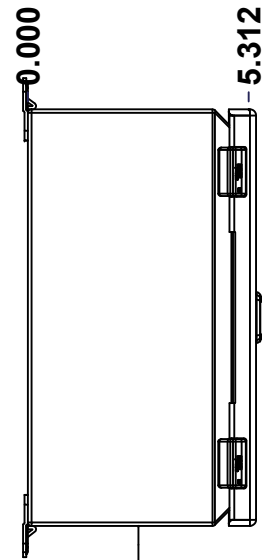
Ce dessin est confidentiel et ne doit pas être reproduit ou utilisé sans le consentement de EXM



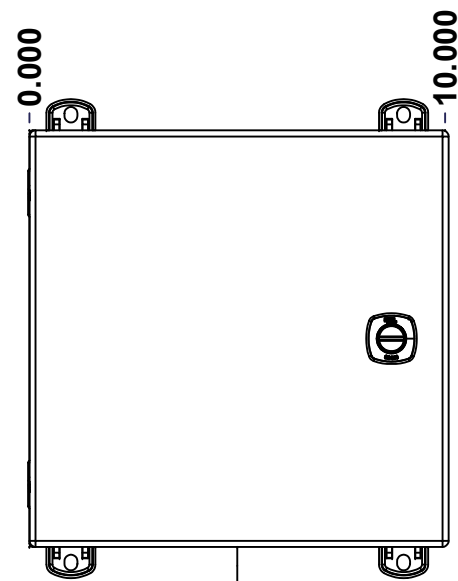
TOP



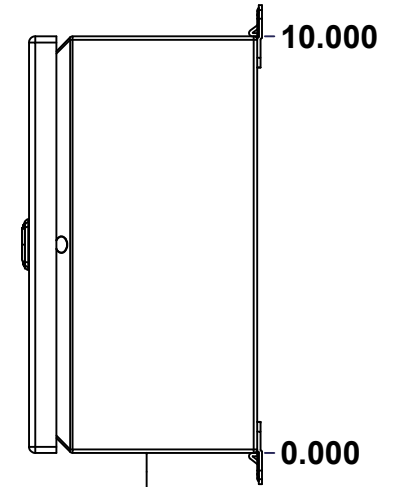
BACK



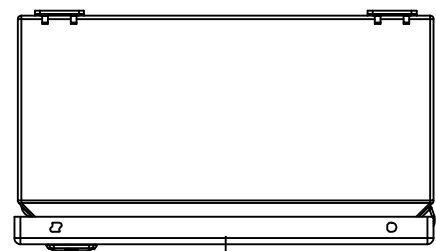
LEFT



FRONT

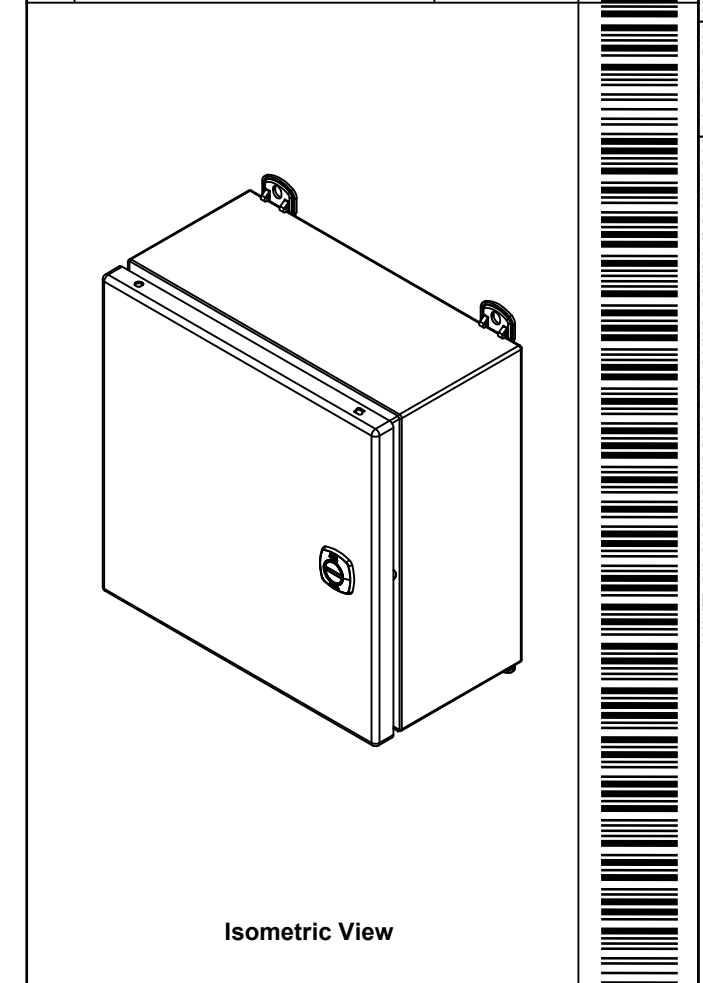


RIGHT



BOTTOM

No.	Revisions	Date	By/Par



Isometric View



Tél: (450) 979-4373  
 Fax: (450) 979-4626  
[www.exmweb.com](http://www.exmweb.com)

Flatness  
Aplatissement  
Max 3.0mm  
Projection

Customer Client	Date
Drawn By / Dessiné Par: BoxCad: BoxCad	Date: 17-Nov-21
Material / Matière: 16 Ga Stainless Steel 304 (1.4mm)	
Color / Couleur: Asa-61 Grey	Finish / Fini: Smooth
Description: 5412ESSMP 10" x 10" x 5" Assembly	Detail Rev.
Part Number / Numéro Pièce: 5412ESSMP101005NOIP	Rev. 0

SEE BILL OF MATERIAL ON LAST PAGE

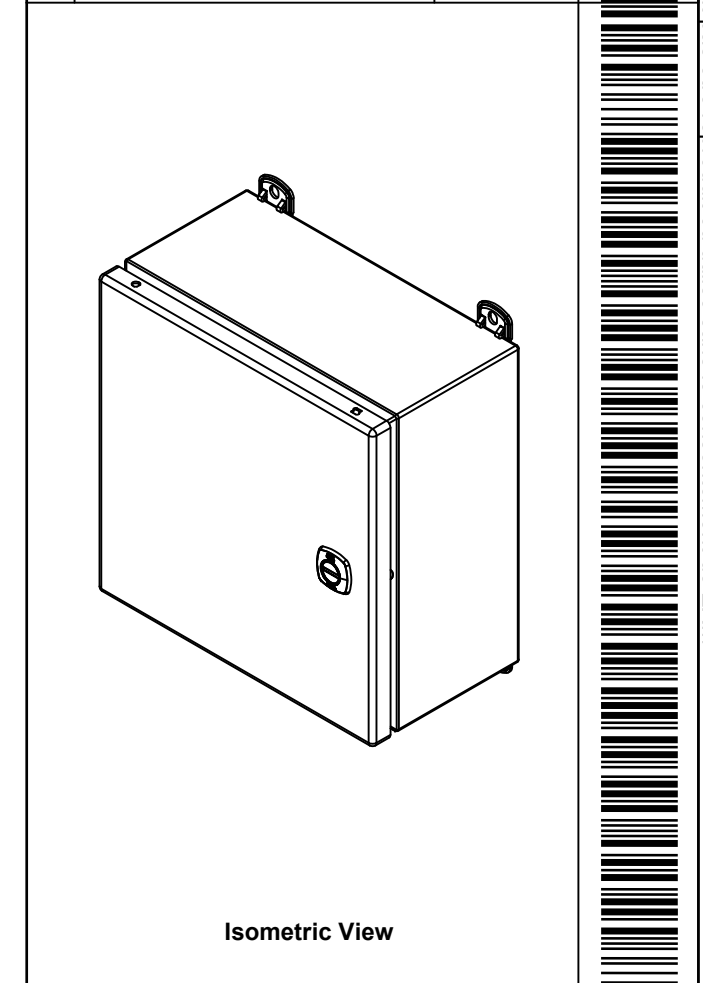
1
2

This drawing is confidential and must not be reproduced or used without the consent of EXM

Ce dessin est confidentiel et ne doit pas être reproduit ou utilisé sans le consentement de EXM

NOTE	
ITEM	DESCRIPTION
1	NEMA 4X Enclosure
2	C/W Standard ground standoffs on box and cover
3	W/O Standard door stiffener
4	W/O Inner panel
5	C/W Standard inner panel mounting standoffs
6	C/W 885 ESCHMF2 Mounting Feet (Welded)

No.	Revisions	Date	By/Par



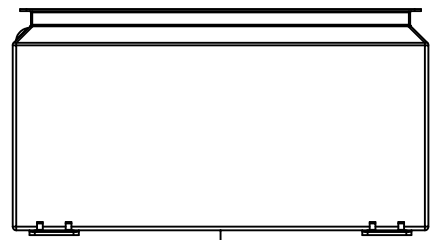
		Tél: (450) 979-4373 Fax: (450) 979-4626 <a href="http://www.exmweb.com">www.exmweb.com</a>		Flatness Aplatissement Max 3.0mm Projection 	
Customer Client		Date		Date 17-Nov-21	
Drawn By / Dessiné Par		BoxCad: BoxCad		Date 17-Nov-21	
Material / Matière		16 Ga Stainless Steel 304 (1.4mm)			
Color / Couleur		Asa-61 Grey		Finish / Fini: Smooth	
Description				Detail Rev.	
5412ESSMP 10" x 10" x 5" Assembly					
Part Number / Numéro Pièce		5412ESSMP101005NOIP		Rev. 0	

PACKING		
ITEM	QTY	DESCRIPTION
STK-E-04312	1	CARTON 5412 ESCH101005
Plastic bag	1	To protect cover surface and inside gasket
Packaging label	1	White label with product number
STK-S-01100	1	ESCH EXM SQUARE STICKER

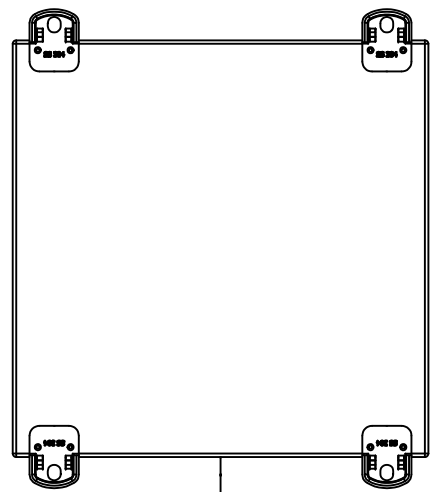
Qty	Part Number	Rev	Description
1	STK-K-02910	3	5412 ESCH Accessory Kit
1	5412ESSMP101005NOIP C	0	5412ESSMP 10" x 10" Cover
1	5412ESSMP101005NOIP B	0	5412ESSMP 10" x 10" x 5" Body
2	STK-Q-08100	1	M5 Nylon Insert Lock Nut
Parts List			

This drawing is confidential and must not be reproduced or used without the consent of EXM

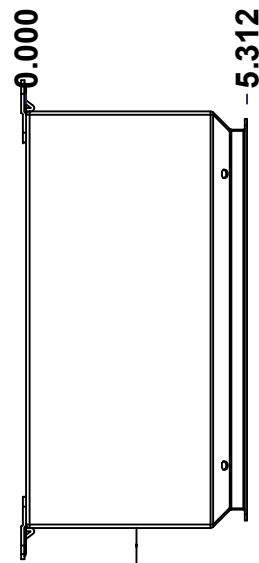
Ce dessin est confidentiel et ne doit pas être reproduit ou utilisé sans le consentement de EXM



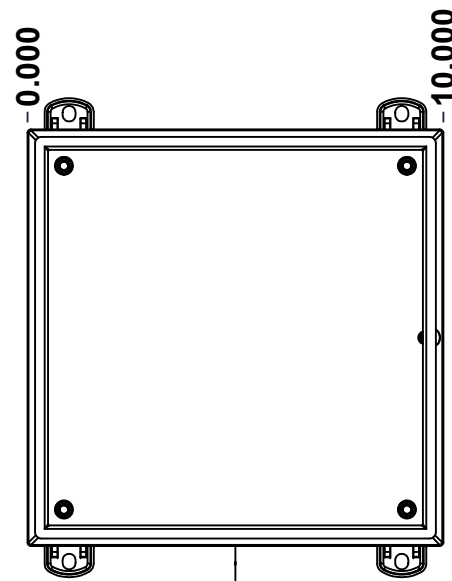
TOP



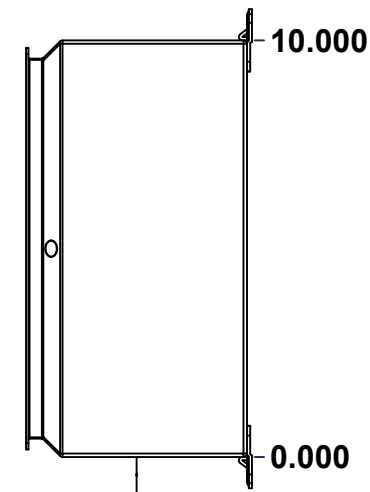
BACK



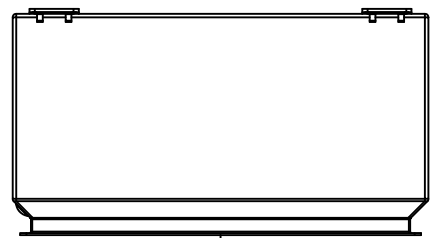
LEFT



FRONT

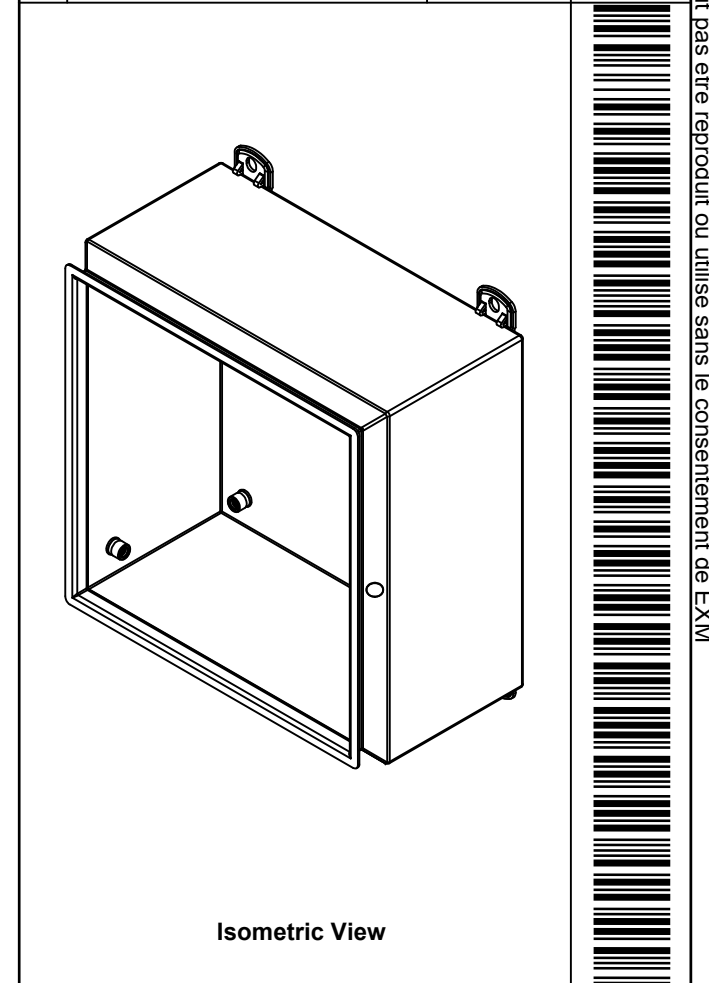


RIGHT





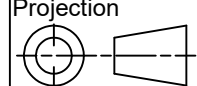
BOTTOM

No.	Revisions	Date	By/Par



Isometric View



 Tél: (450) 979-4373 Fax: (450) 979-4626 <a href="http://www.exmweb.com">www.exmweb.com</a>		Flatness Aplatissement  Max 3.0mm Projection 
Customer Client	Date	
Drawn By Dessiné Par	BoxCad: BoxCad	Date 17-Nov-21
Material Matière	16 Ga Stainless Steel 304 (1.4mm)	
Color Couleur	Asa-61 Grey	Finish Fini Smooth
Description	Detail Rev.	
5412ESSMP 10" x 10" x 5" Body		
Part Number Numéro Pièce	Rev. 0	1 / 7
<b>5412ESSMP101005NOIPB</b>		

SEE BILL OF MATERIAL ON LAST PAGE

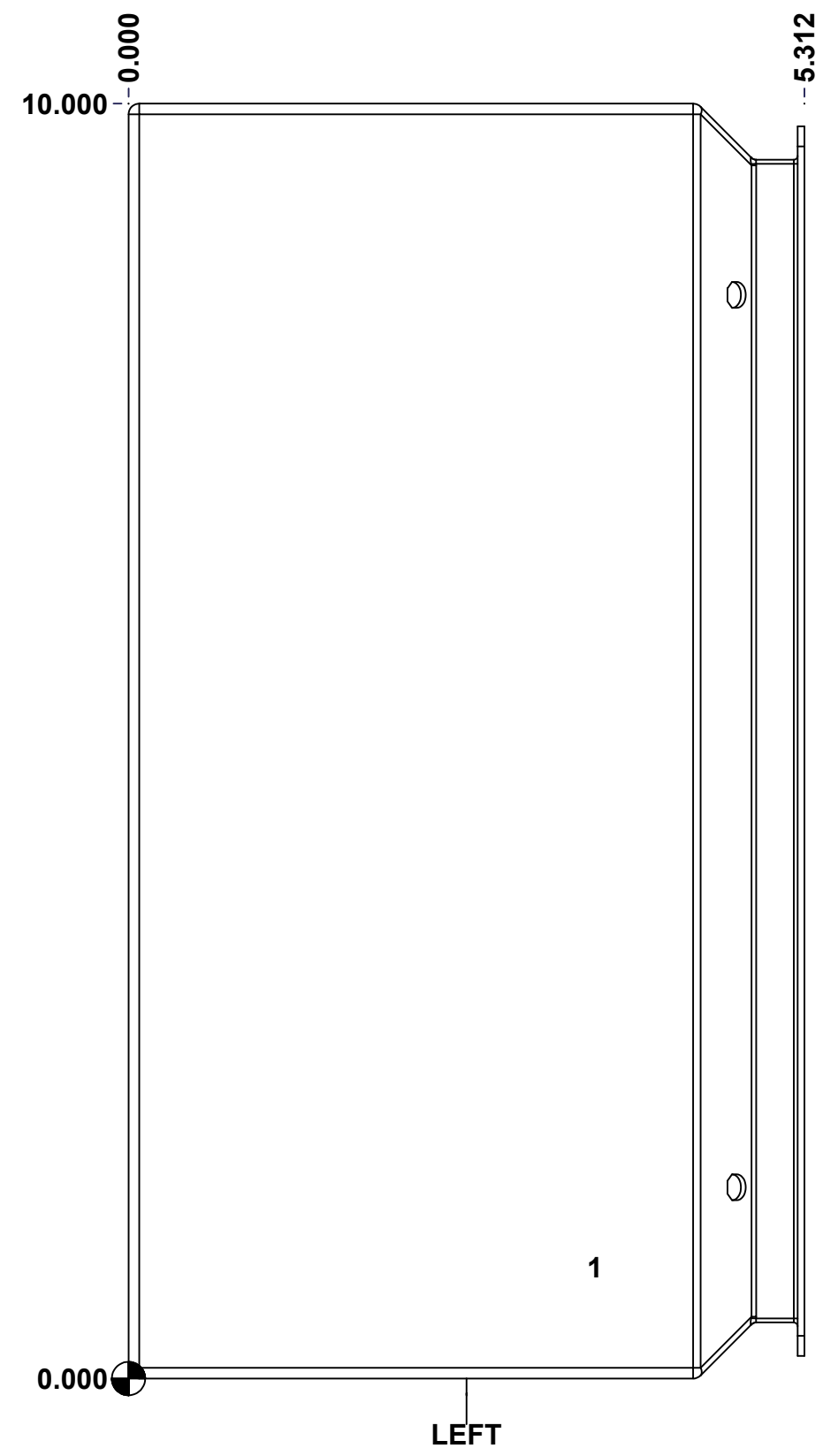
This drawing is confidential and must not be reproduced or used without the consent of EXM

Ce dessin est confidentiel et ne doit pas être reproduit ou utilisé sans le consentement de EXM

**STANDARD FEATURES ARE NOT LISTED IN THIS HOLE TABLE**

**HOLE TABLE - LEFT VIEW (CUSTOM FEATURE ONLY)**

CUT-OUT	XDIM	YDIM	DESCRIPTION
1	3.625	0.875	STANDOFF M6 x 10mm (Inside)

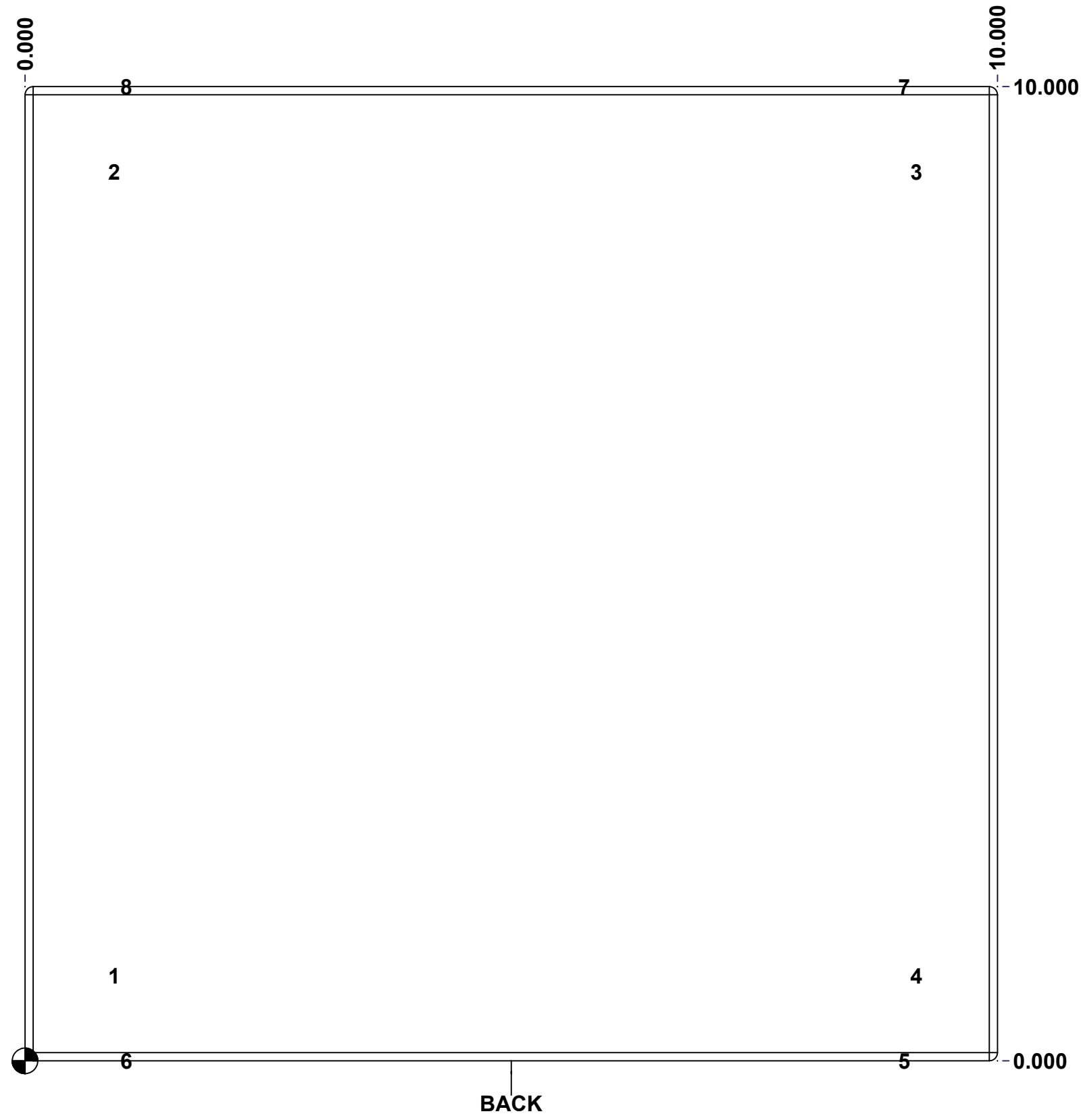


	Description		Status	
	5412ESSMP 10" x 10" x 5" Body		(NULL)	
Part Number Numéro Pièce		Rev.	5	7
<b>5412ESSMP101005NOIPB</b>		<b>0</b>		

This drawing is confidential and must not be reproduced or used without the consent of EXM

Ce dessin est confidentiel et ne doit pas être reproduit ou utilisé sans le consentement de EXM

STANDARD FEATURES ARE NOT LISTED IN THIS HOLE TABLE			
HOLE TABLE - BACK VIEW (CUSTOM FEATURE ONLY)			
CUT-OUT	XDIM	YDIM	DESCRIPTION
1	0.875	0.875	IP STANDOFF M6 x 10mm (Inside)
2	0.875	9.125	IP STANDOFF M6 x 10mm (Inside)
3	9.125	9.125	IP STANDOFF M6 x 10mm (Inside)
4	9.125	0.875	IP STANDOFF M6 x 10mm (Inside)
-----			
5	9.000	0.000	FOOT 885 ESCHMF2
6	1.000	0.000	FOOT 885 ESCHMF2
7	9.000	10.000	FOOT 885 ESCHMF2
8	1.000	10.000	FOOT 885 ESCHMF2

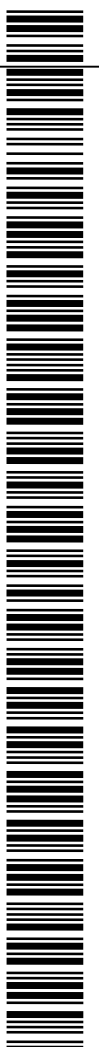
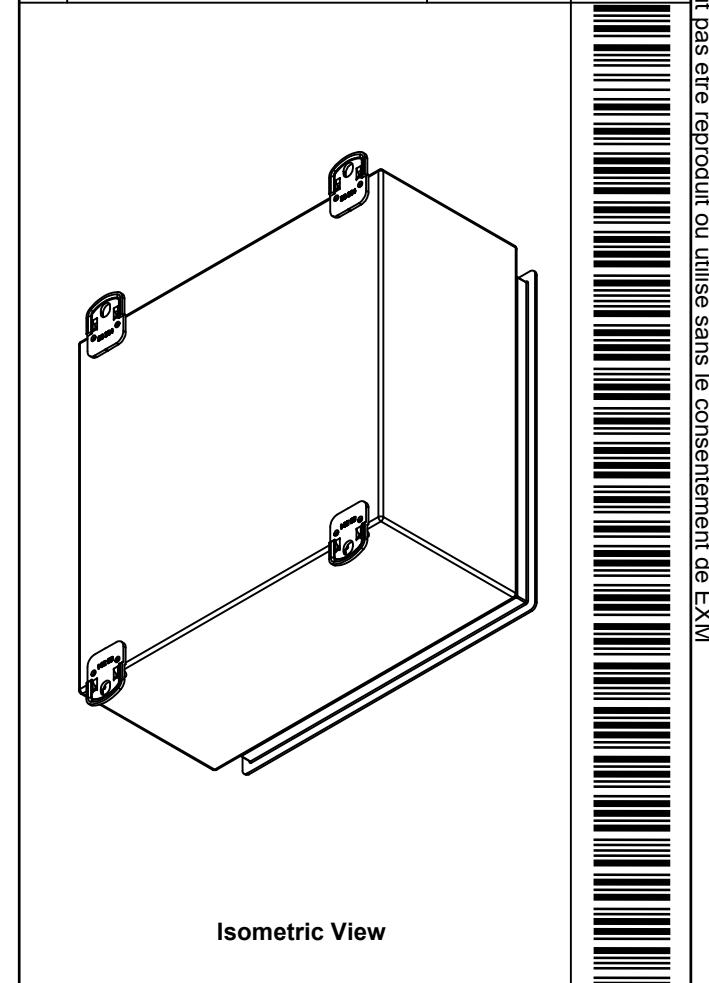




	Description	Status
	5412ESSMP 10" x 10" x 5" Body	(NULL)
	Part Number Numéro Pièce	Rev.
	<b>5412ESSMP101005NOIPB</b>	<b>0</b>
		6
		7

This drawing is confidential and must not be reproduced or used without the consent of EXM

Ce dessin est confidentiel et ne doit pas être reproduit ou utilisé sans le consentement de EXM

No.	Revisions	Date	By/Par



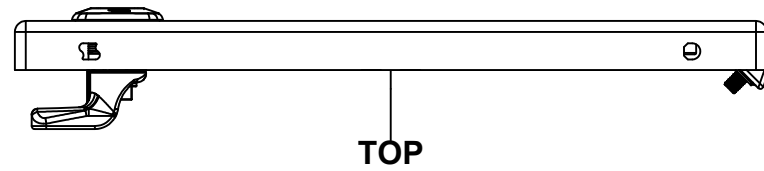
 Tél: (450) 979-4373 Fax: (450) 979-4626 <a href="http://www.exmweb.com">www.exmweb.com</a>		Flatness Aplatissement  Max 3.0mm
Customer Client		Date
Drawn By Dessiné Par BoxCad: BoxCad		Date 17-Nov-21
Material Matière 16 Ga Stainless Steel 304 (1.4mm)		
Color Couleur Asa-61 Grey	Finish Fini Smooth	
Description 5412ESSMP 10" x 10" x 5" Body		Detail Rev.
Part Number Numéro Pièce <b>5412ESSMP101005NOIPB</b>		Rev. <b>0</b>

Qty	Part Number	Rev	Description
1	STK-Q-00200	0	M5 x 8mm Stainless Steel 316 Carriage Bolt with Nyseal
1	STK-Q-08112	3	M5 Stainless Steel 304 Nylon Insert Dome Nut
1	STK-P-02400S	0	Powder Paint (Asa-61 Grey / Smooth)
1	5412ESSMP101005NOIP B-P	0	5412ESSMP 10" x 10" x 5" Body Part
4	STK-Q-71316	4	5412 ESSMCH Stainless Steel Mounting Foot
5	STK-Q-08500	4	Stainless Steel Standoff M6 x 10mm
Parts List			

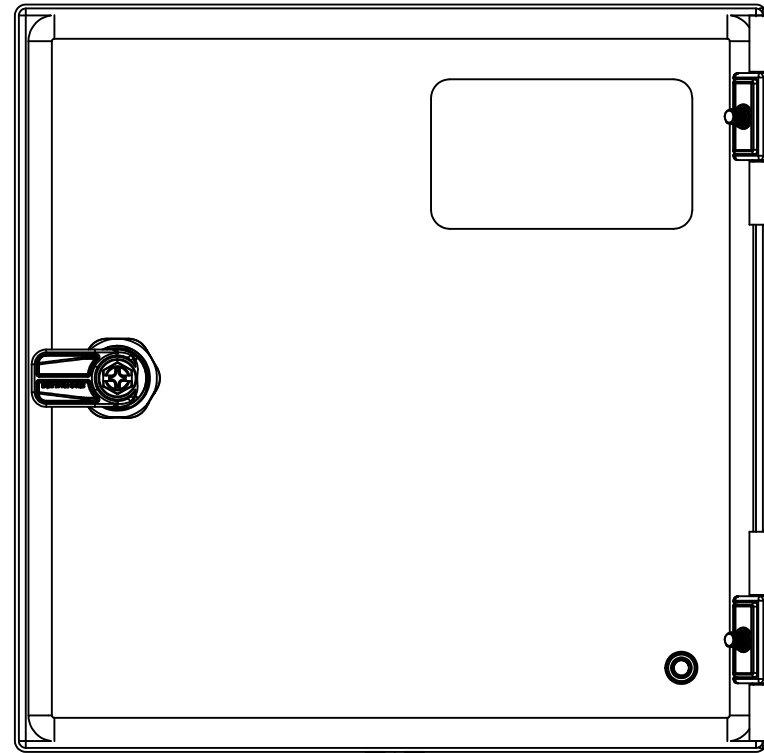
7
7

This drawing is confidential and must not be reproduced or used without the consent of EXM

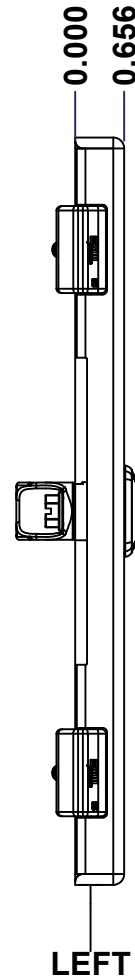
Ce dessin est confidentiel et ne doit pas être reproduit ou utilisé sans le consentement de EXM



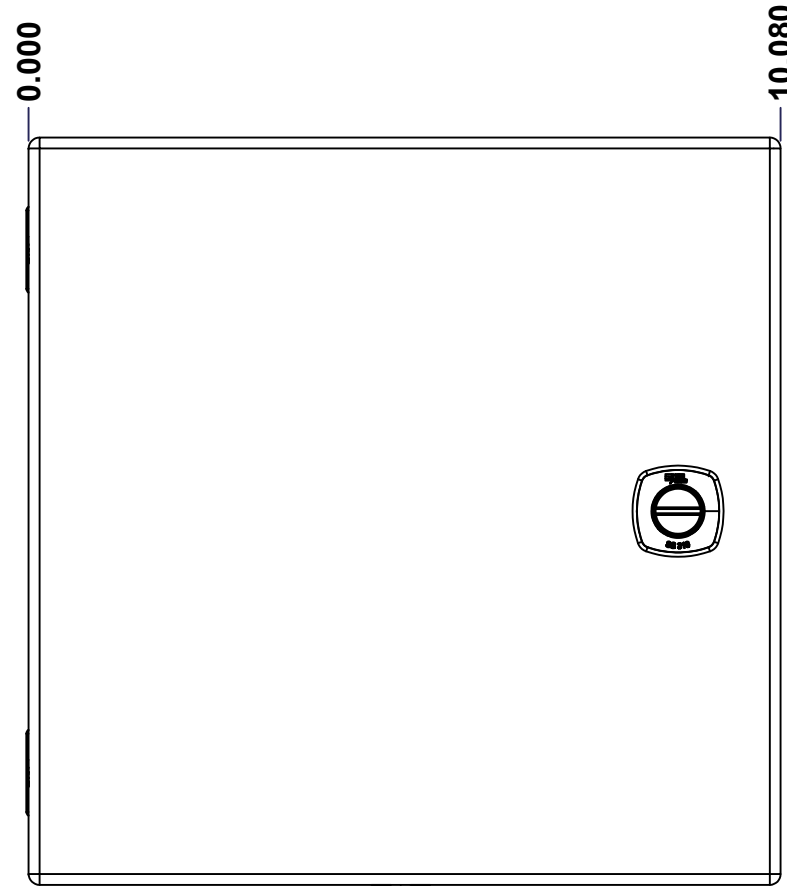
TOP



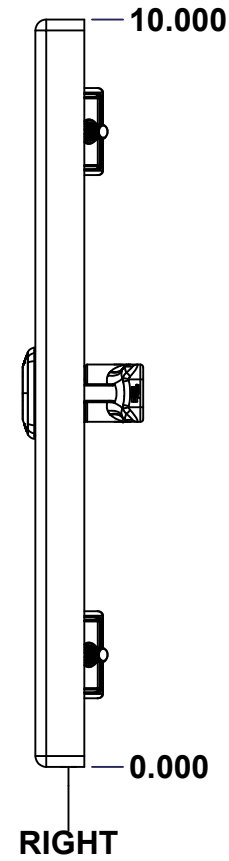
BACK



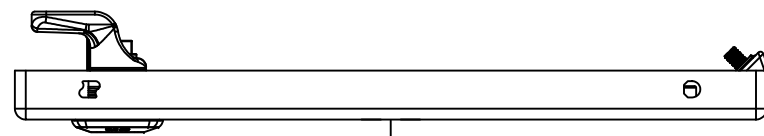
LEFT



FRONT

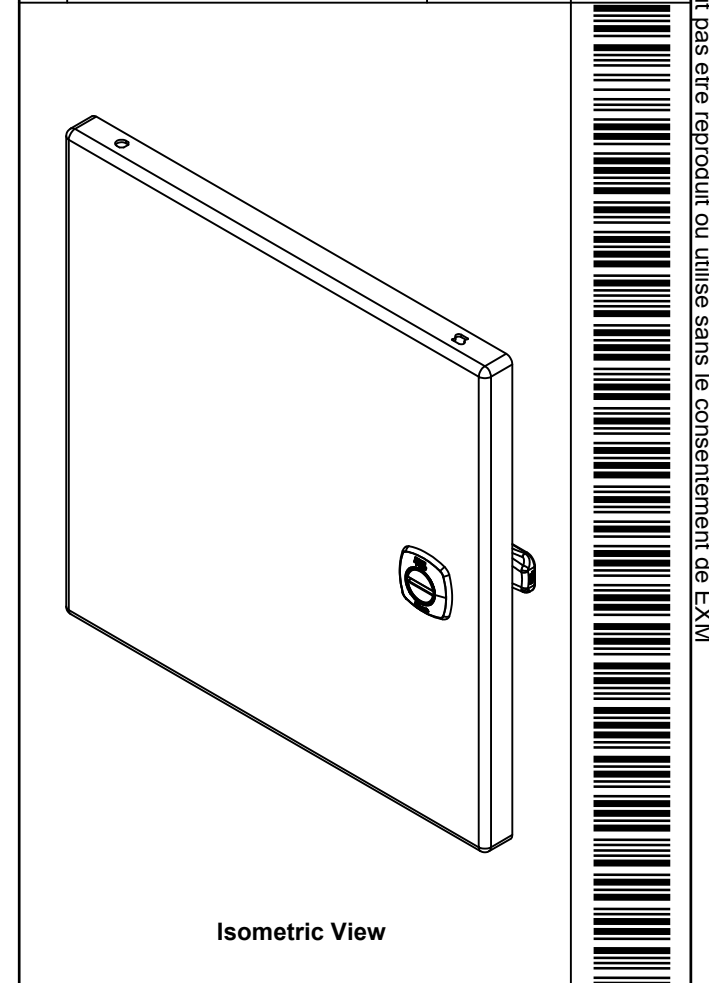


RIGHT




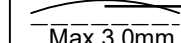
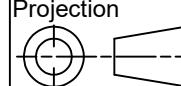
BOTTOM

No.	Revisions	Date	By/Par



Isometric View



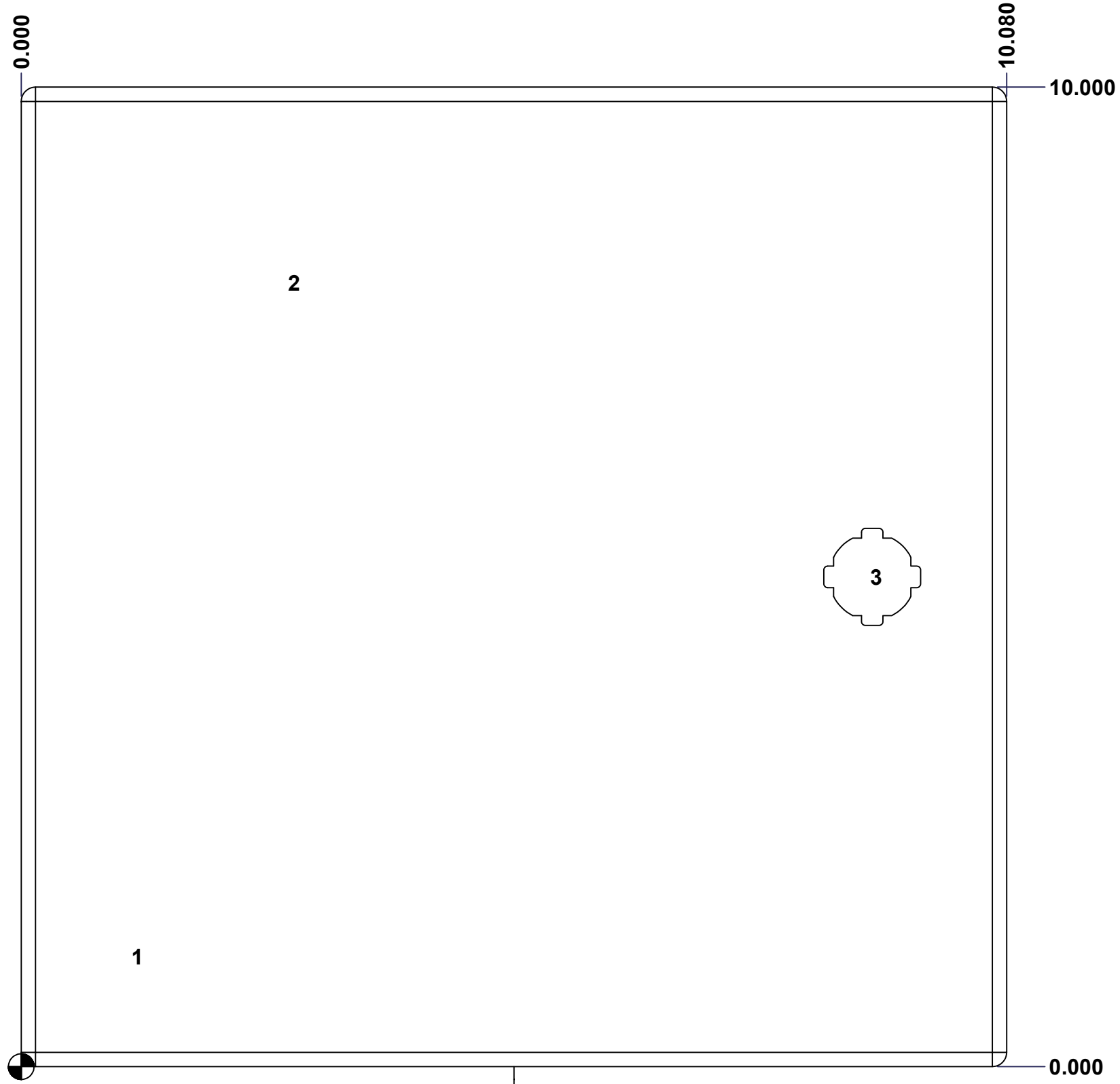
 Tél: (450) 979-4373 Fax: (450) 979-4626 <a href="http://www.exmweb.com">www.exmweb.com</a>		Flatness Aplatissement  Max 3.0mm Projection 
Customer Client	Date	
Drawn By Dessiné Par	BoxCad: BoxCad	Date 17-Nov-21
Material Matière	16 Ga Stainless Steel 304 (1.4mm)	
Color Couleur	Asa-61 Grey	Finish Fini Smooth
Description	Detail Rev.	
5412ESSMP 10" x 10" Cover		
Part Number Numéro Pièce	Rev. 0	1 / 3
<b>5412ESSMP101005NOIPC</b>		

SEE BILL OF MATERIAL ON LAST PAGE

This drawing is confidential and must not be reproduced or used without the consent of EXM

Ce dessin est confidentiel et ne doit pas être reproduit ou utilisé sans le consentement de EXM

STANDARD FEATURES ARE NOT LISTED IN THIS HOLE TABLE			
HOLE TABLE - FRONT VIEW (CUSTOM FEATURE ONLY)			
CUT-OUT	XDIM	YDIM	DESCRIPTION
1	1.145	1.125	STANDOFF M6 x 10mm (Inside)
2	2.750	8.000	LABEL_EXM
3	8.705	5.000	LOCK 880 SCQ4-SLSS6 @ 0.0°



FRONT

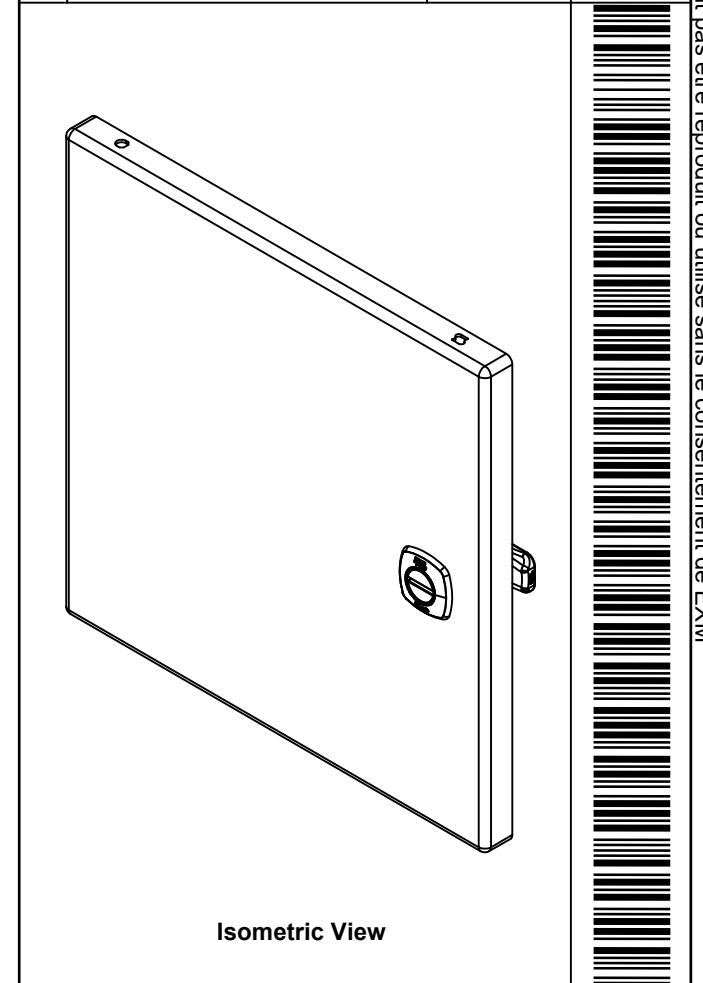
	Description	Status	
	5412ESSMP 10" x 10" Cover	(NULL)	
	Part Number Numéro Pièce	Rev.	
	<b>5412ESSMP101005NOIPC</b>	<b>0</b>	2 3



This drawing is confidential and must not be reproduced or used without the consent of EXM

Ce dessin est confidentiel et ne doit pas être reproduit ou utilisé sans le consentement de EXM

No.	Revisions	Date	By/Par



Flatness  
Aplatisse

**EXM**  
exm

Tél: (450) 979-4373  
Fax: (450) 979-4626  
[www.exmweb.com](http://www.exmweb.com)

Max 3.0mm  
Projection

Customer Client  
Date

Drawn By  
Dessiné Par BoxCad: BoxCad  
Date 17-Nov-21

Material  
Matière 16 Ga Stainless Steel 304 (1.4mm)

Color  
Couleur Asa-61 Grey  
Finish  
Fini Smooth

Description  
5412ESSMP 10" x 10" Cover  
Detail Rev.

Qty	Part Number	Rev	Description
1	880 SCQ4-SLSS6	7	5412 ESS 1/4 Turn Lock
1	5412ESSMP101005NOIP G	0	5412ESSMP 10" x 10" Gasket
1	STK-S-00100	0	3.5" x 2" Silver Milar Flexcon Sticker
1	STK-Q-08500	4	Stainless Steel Standoff M6 x 10mm
1	STK-P-02400S	0	Powder Paint (Asa-61 Grey / Smooth)
1	5412ESSMP101005NOIP C-P	0	5412ESSMP 10" x 10" Cover Part
2	STK-A-33038	3	5412 ESSMCH - Stainless Steel Hinge
Parts List			

Part Number  
Numéro Pièce **5412ESSMP101005NOIPC**  
Rev. **0**

Rev. 3  
3