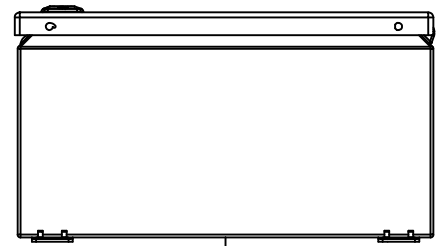
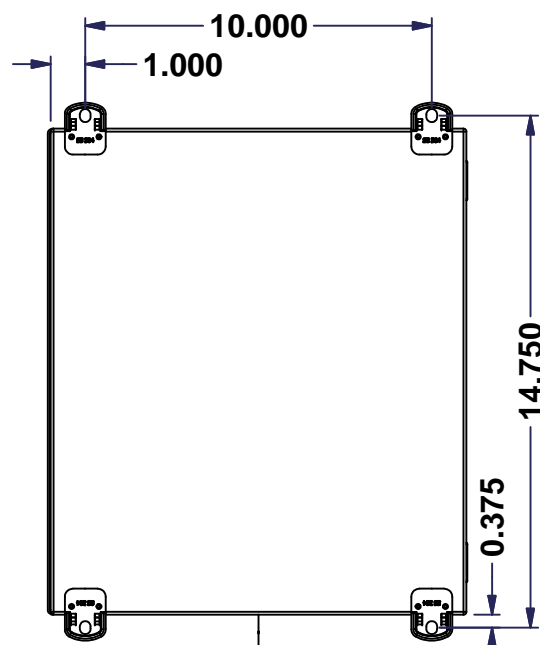


This drawing is confidential and must not be reproduced or used without the consent of EXM

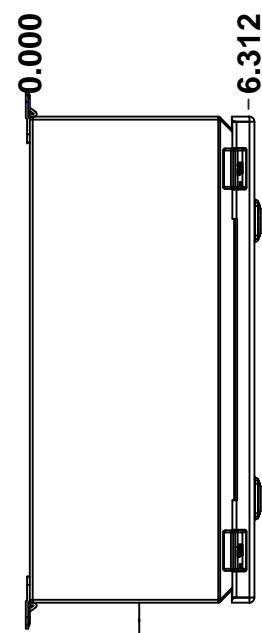
Ce dessin est confidentiel et ne doit pas être reproduit ou utilisé sans le consentement de EXM



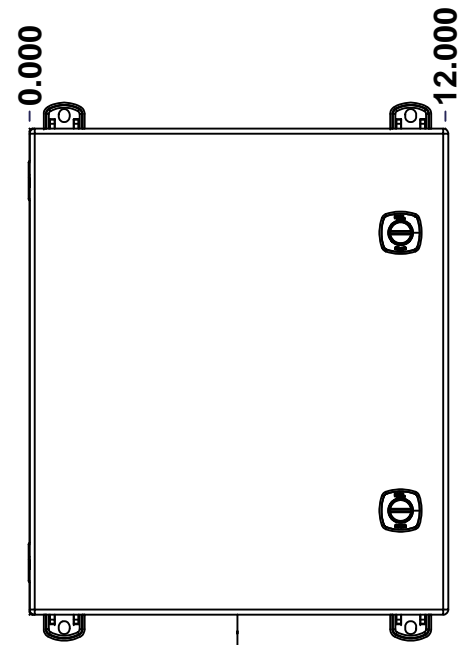
TOP



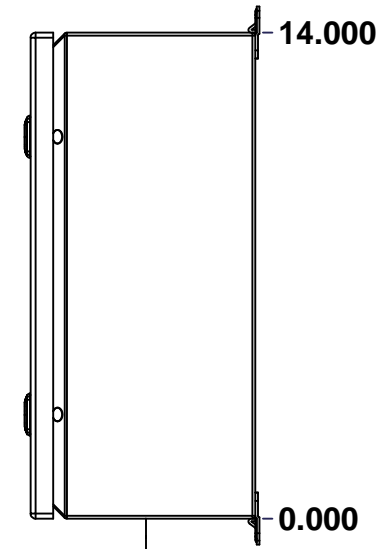
BACK



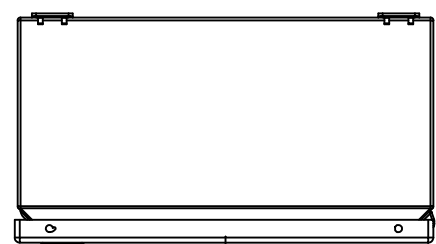
LEFT



FRONT

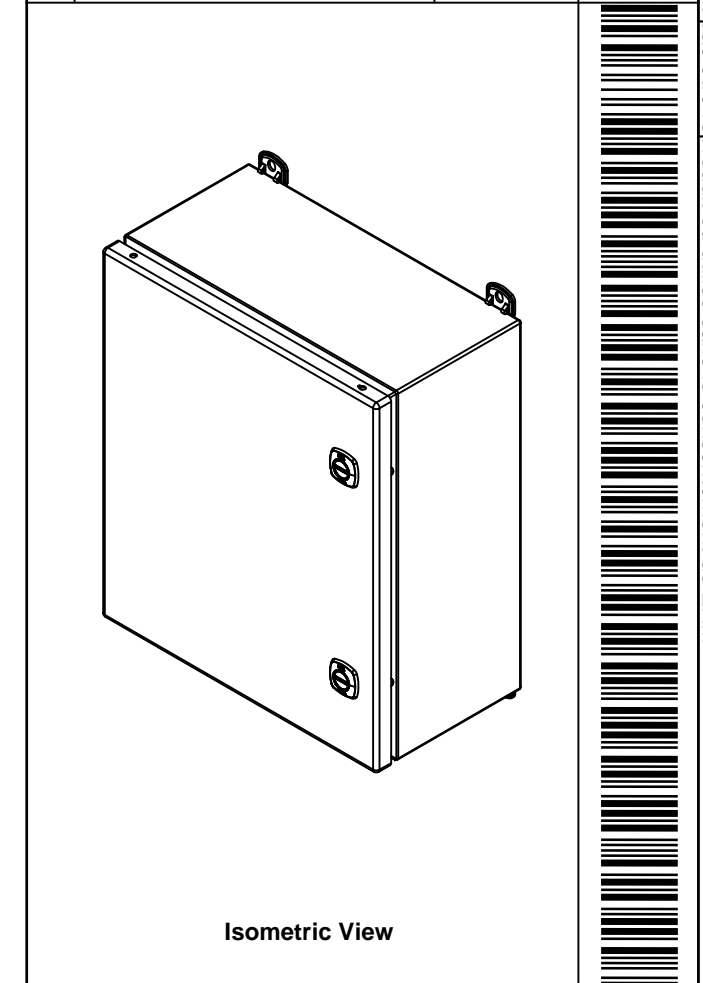


RIGHT



BOTTOM

| No. | Revisions | Date | By/Par |
|-----|-----------|------|--------|
|     |           |      |        |
|     |           |      |        |
|     |           |      |        |
|     |           |      |        |



Isometric View



Tél: (450) 979-4373  
 Fax: (450) 979-4626  
[www.exmweb.com](http://www.exmweb.com)

Flatness  
Aplatisse  
Max 3.0mm  
Projection

|   |                       |
|---|-----------------------|
| Customer Client                                       | Date                  |
| Drawn By<br>Dessiné Par BoxCad: BoxCad                | Date 22-Nov-21        |
| Material<br>Matière 16 Ga Stainless Steel 316 (1.4mm) |                       |
| Color<br>Couleur Asa-61 Grey                          | Finish<br>Fini Smooth |
| Description<br>5412ESSMP 14" x 12" x 6" Assembly      | Detail Rev.           |
| Part Number<br>Numéro Pièce 5412ESSMP1412066NOIP      | Rev. 0                |

SEE BILL OF MATERIAL ON LAST PAGE

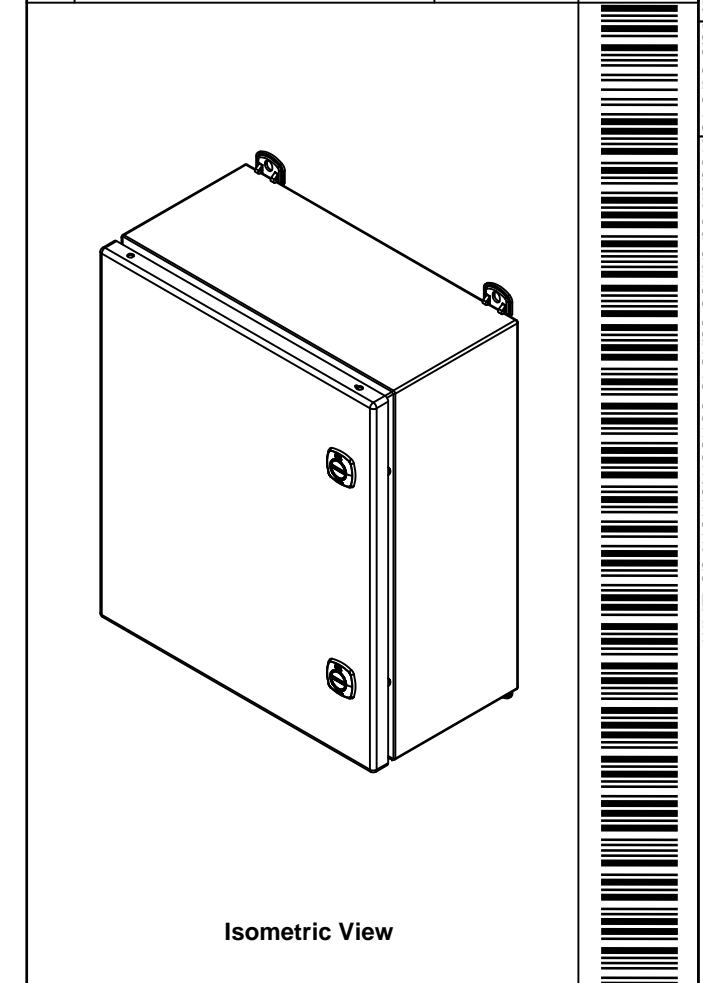
|   |
|---|
| 1 |
| 2 |

This drawing is confidential and must not be reproduced or used without the consent of EXM

Ce dessin est confidentiel et ne doit pas être reproduit ou utilisé sans le consentement de EXM

| NOTE |  |
|------|--|
| ITEM | DESCRIPTION                                    |
| 1    | NEMA 4X Enclosure                              |
| 2    | C/W Standard ground standoffs on box and cover |
| 3    | W/O Standard door stiffener                    |
| 4    | W/O Inner panel                                |
| 5    | C/W Standard inner panel mounting standoffs    |
| 6    | C/W 885 ESCHMF2 Mounting Feet (Welded)         |

| No. | Revisions | Date | By/Par |
|-----|-----------|------|--------|
|     |           |      |        |
|     |           |      |        |
|     |           |      |        |
|     |           |      |        |
|     |           |      |        |
|     |           |      |        |
|     |           |      |        |



|                         |  |                           |
|-------------------------|--|---------------------------|
|                         | Tél: (450) 979-4373<br>Fax: (450) 979-4626<br><a href="http://www.exmweb.com">www.exmweb.com</a> | Flatness<br>Aplatissement |
|                         |  | Max 3.0mm<br>Projection   |
| Customer<br>Client      | Date   |                           |
| Drawn By<br>Dessiné Par | BoxCad: BoxCad   | Date 22-Nov-21            |
| Material<br>Matière     | 16 Ga Stainless Steel 316 (1.4mm)  |                           |

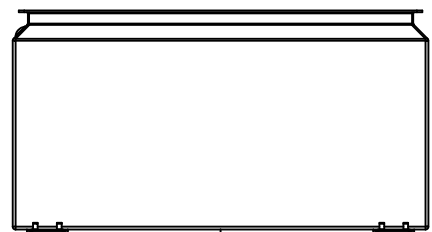
| PACKING         |     |  |
|-----------------|-----|--|
| ITEM            | QTY | DESCRIPTION                                |
| STK-E-04322     | 1   | CARTON 5412 ESCH141206                     |
| Plastic bag     | 1   | To protect cover surface and inside gasket |
| Packaging label | 1   | White label with product number            |
| STK-S-01100     | 1   | ESCH EXM SQUARE STICKER                    |

|            |                           |     |                               |
|------------|---------------------------|-----|-------------------------------|
| 1          | STK-K-02910               | 3   | 5412 ESCH Accessory Kit       |
| 1          | 5412ESSMP1412066NOI<br>PC | 0   | 5412ESSMP 14" x 12" Cover     |
| 1          | 5412ESSMP1412066NOI<br>PB | 0   | 5412ESSMP 14" x 12" x 6" Body |
| 2          | STK-Q-08100               | 1   | M5 Nylon Insert Lock Nut      |
| Qty        | Part Number               | Rev | Description                   |
| Parts List |                           |     |                               |

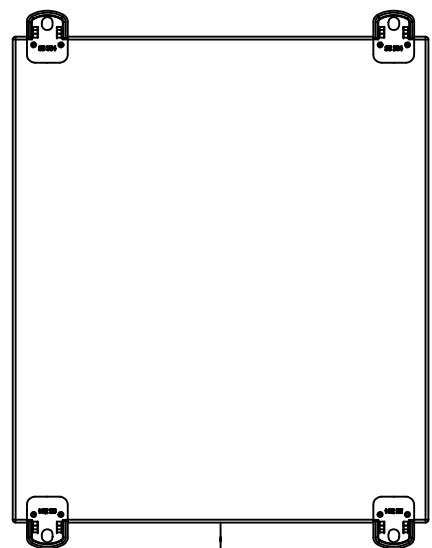
|                             |                                   |                |             |
|-----------------------------|-----------------------------------|----------------|-------------|
| Color<br>Couleur            | Asa-61 Grey                       | Finish<br>Fini | Smooth      |
| Description                 | 5412ESSMP 14" x 12" x 6" Assembly |                | Detail Rev. |
| Part Number<br>Numéro Pièce | 5412ESSMP1412066NOIP              |                | Rev. 0      |
|                             |                                   |                | 2           |
|                             |                                   |                | 2           |

This drawing is confidential and must not be reproduced or used without the consent of EXM

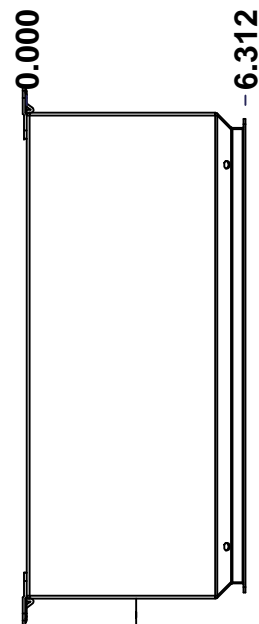
Ce dessin est confidentiel et ne doit pas être reproduit ou utilisé sans le consentement de EXM



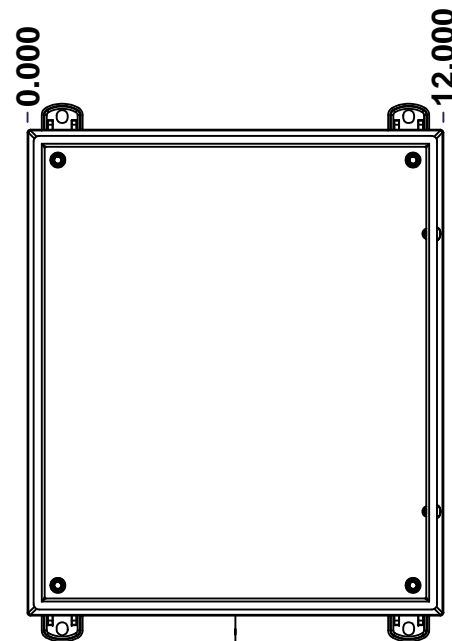
TOP



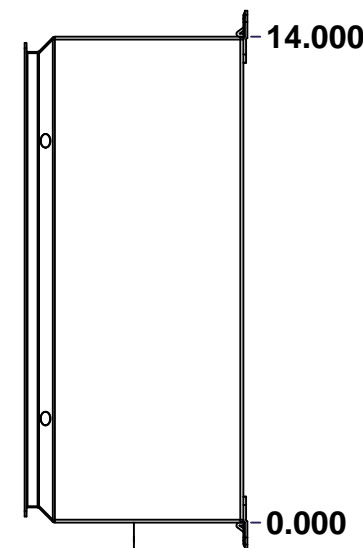
BACK



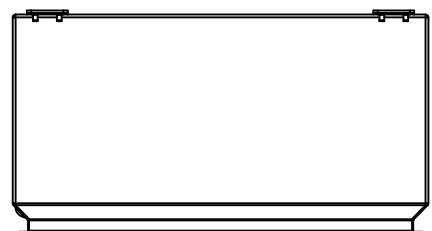
LEFT



FRONT

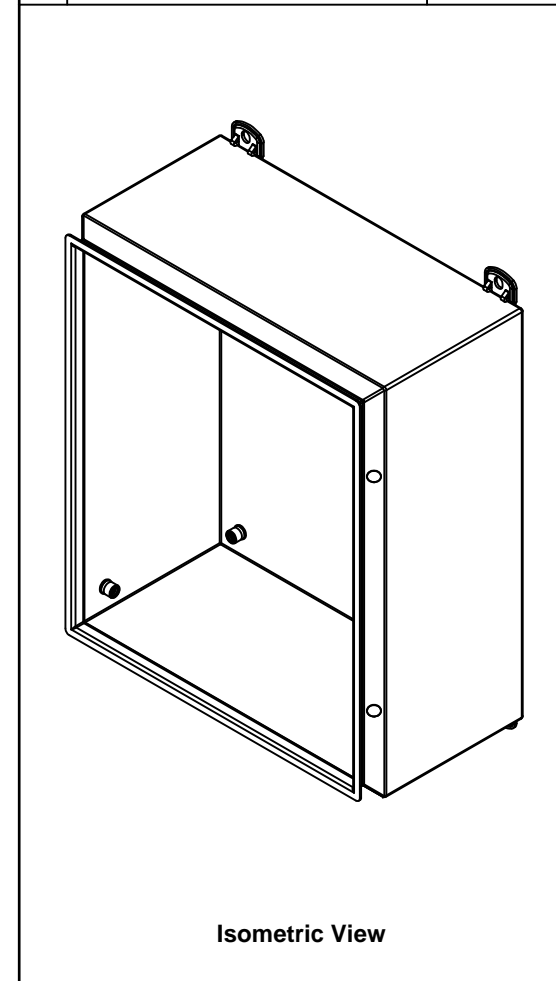


RIGHT





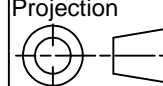
BOTTOM

| No. | Revisions | Date | By/Par |
|-----|-----------|------|--------|
|     |           |      |        |
|     |           |      |        |
|     |           |      |        |
|     |           |      |        |
|     |           |      |        |



Isometric View



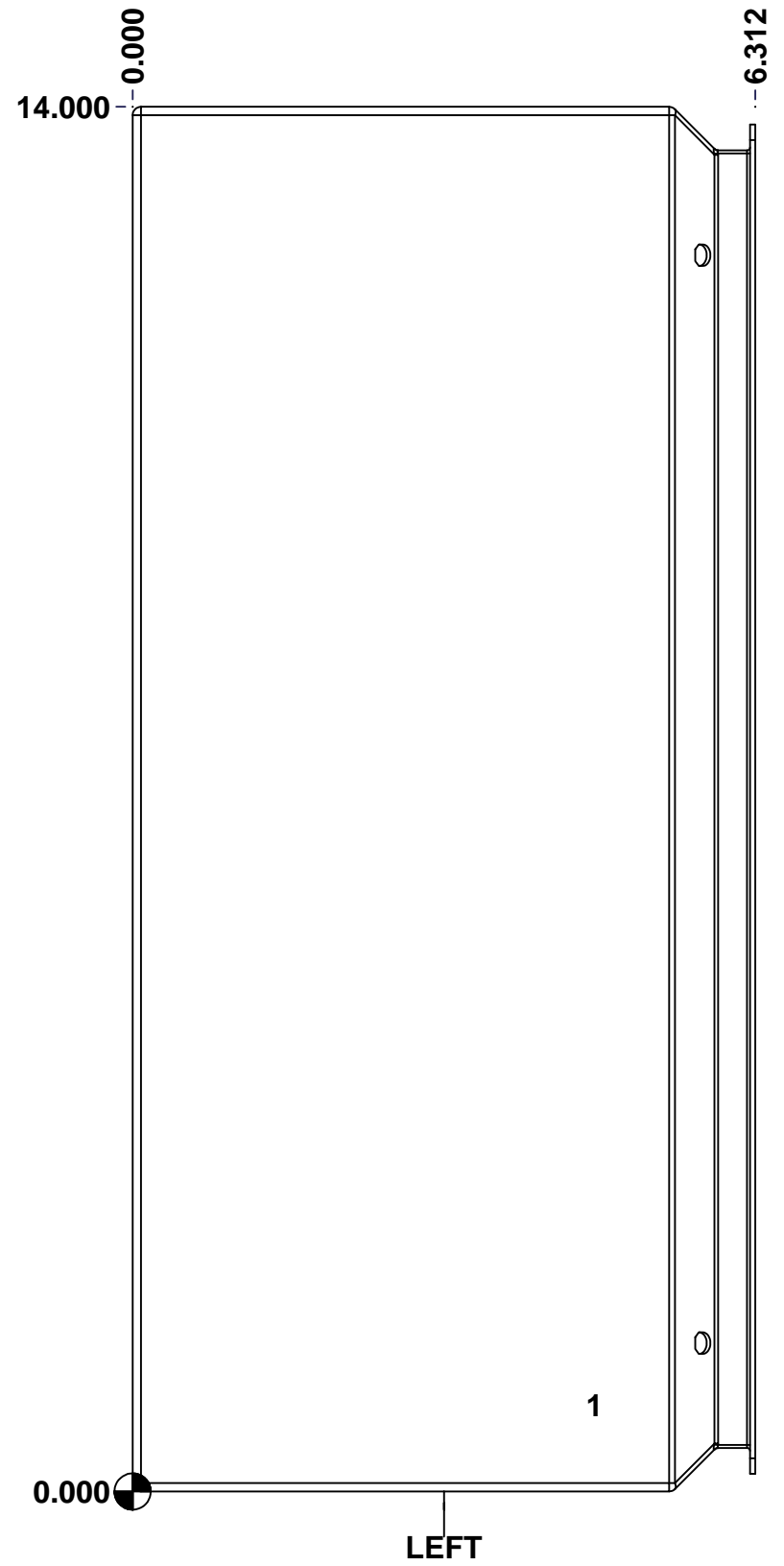
|  |                                   |   |
|--|-----------------------------------|---|
|  Tél: (450) 979-4373<br>Fax: (450) 979-4626<br><a href="http://www.exmweb.com">www.exmweb.com</a> |                                   | Flatness<br>Aplatissement<br> Max 3.0mm<br>Projection<br> |
| Customer Client  | Date                              |   |
| Drawn By<br>Dessiné Par  | BoxCad: BoxCad                    | Date 22-Nov-21  |
| Material<br>Matière  | 16 Ga Stainless Steel 316 (1.4mm) |   |
| Color<br>Couleur   | Asa-61 Grey                       | Finish<br>Fini Smooth   |
| Description  | Detail Rev.                       |   |
| 5412ESSMP 14" x 12" x 6" Body  |                                   |   |
| Part Number<br>Numéro Pièce  | Rev. 0                            | 1 / 7   |

SEE BILL OF MATERIAL ON LAST PAGE **5412ESSMP1412066NOIPB**

This drawing is confidential and must not be reproduced or used without the consent of EXM

Ce dessin est confidentiel et ne doit pas être reproduit ou utilisé sans le consentement de EXM

| <b>STANDARD FEATURES ARE NOT LISTED IN THIS HOLE TABLE</b> |       |       |                             |
|--|-------|-------|-----------------------------|
| <b>HOLE TABLE - LEFT VIEW (CUSTOM FEATURE ONLY)</b>        |       |       |                             |
| CUT-OUT  | XDIM  | YDIM  | DESCRIPTION                 |
| 1  | 4.625 | 0.875 | STANDOFF M6 x 10mm (Inside) |



|                              |                               |          |        |   |
|------------------------------|-------------------------------|----------|--------|---|
|                              | Description                   |          | Status |   |
|                              | 5412ESSMP 14" x 12" x 6" Body |          | (NULL) |   |
| Part Number<br>Numéro Pièce  |                               | Rev.     | 5      | 7 |
| <b>5412ESSMP1412066NOIPB</b> |                               | <b>0</b> |        |   |

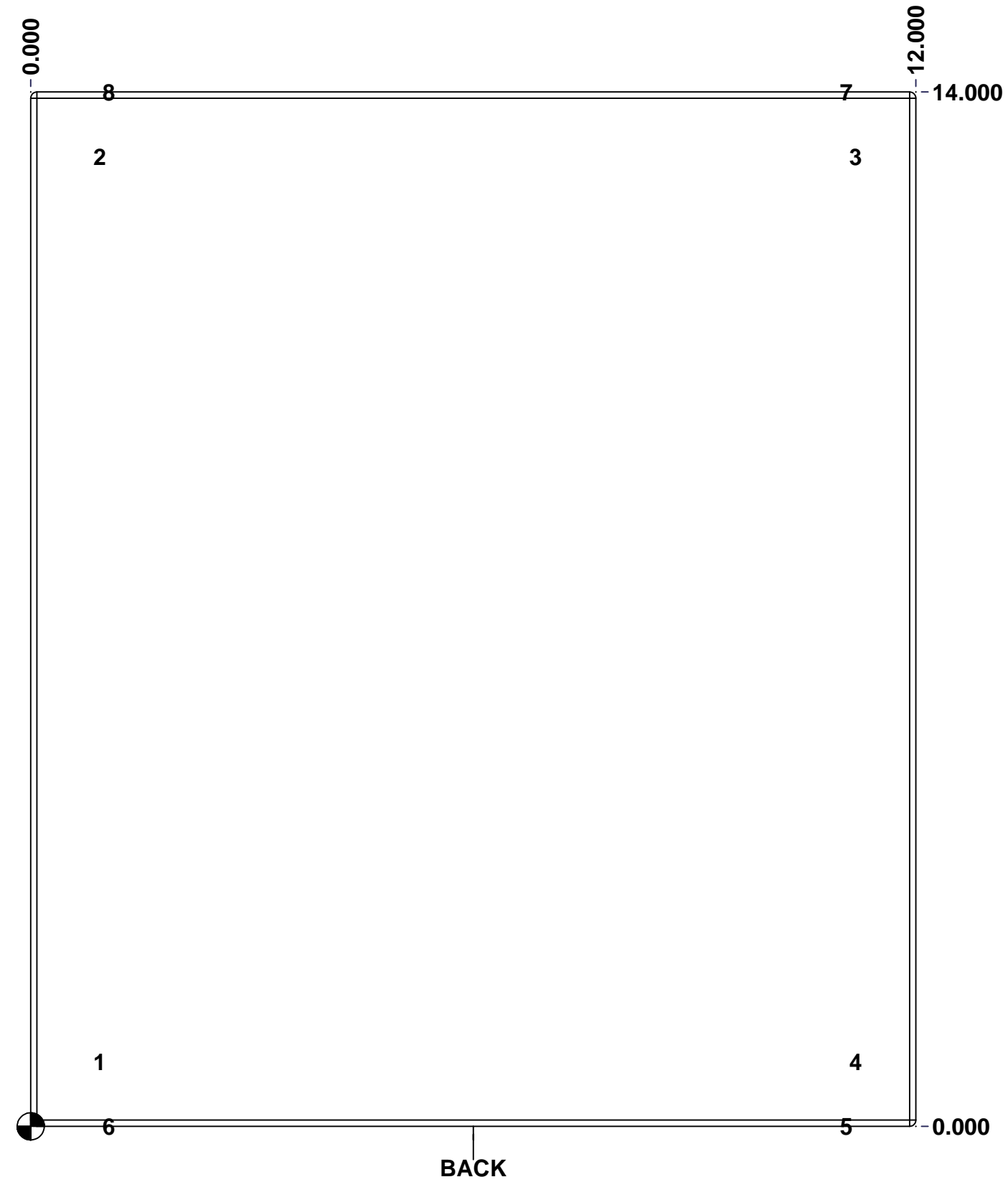
This drawing is confidential and must not be reproduced or used without the consent of EXM

Ce dessin est confidentiel et ne doit pas être reproduit ou utilisé sans le consentement de EXM

**STANDARD FEATURES ARE NOT LISTED IN THIS HOLE TABLE**

**HOLE TABLE - BACK VIEW (CUSTOM FEATURE ONLY)**

| CUT-OUT | XDIM   | YDIM   | DESCRIPTION                    |
|---------|--------|--------|--------------------------------|
| 1       | 0.875  | 0.875  | IP STANDOFF M6 x 10mm (Inside) |
| 2       | 0.875  | 13.125 | IP STANDOFF M6 x 10mm (Inside) |
| 3       | 11.125 | 13.125 | IP STANDOFF M6 x 10mm (Inside) |
| 4       | 11.125 | 0.875  | IP STANDOFF M6 x 10mm (Inside) |
| -----   |        |        |                                |
| 5       | 11.000 | 0.000  | FOOT 885 ESCHMF2               |
| 6       | 1.000  | 0.000  | FOOT 885 ESCHMF2               |
| 7       | 11.000 | 14.000 | FOOT 885 ESCHMF2               |
| 8       | 1.000  | 14.000 | FOOT 885 ESCHMF2               |

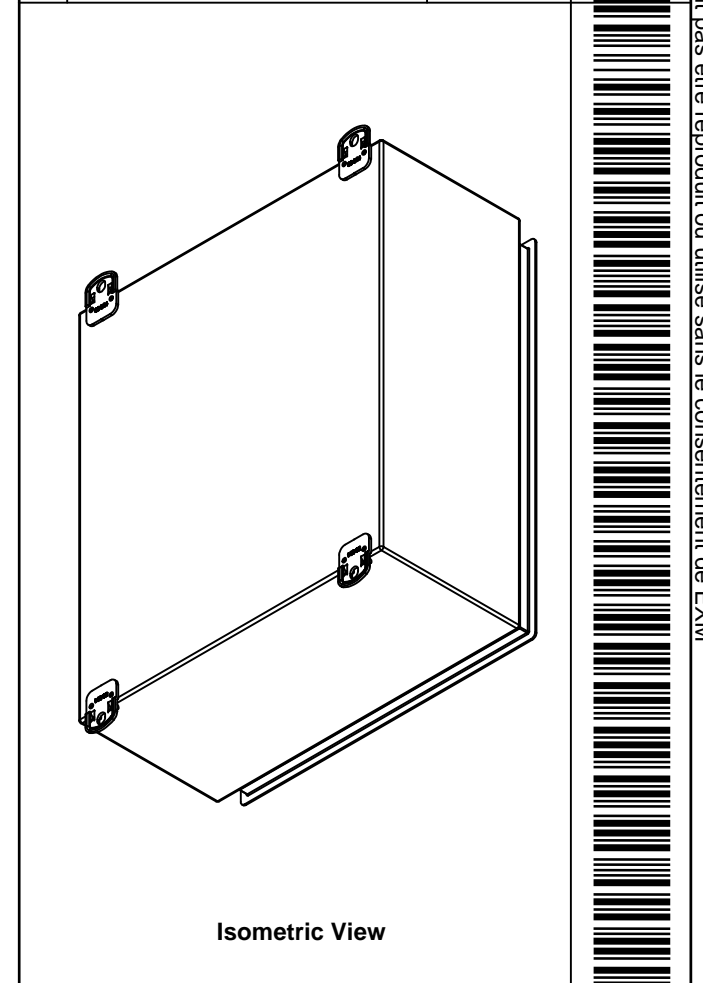


|  |                               |             |
|--|-------------------------------|-------------|
|  | Description                   | Status      |
|  | 5412ESSMP 14" x 12" x 6" Body | (NULL)      |
|  | Part Number<br>Numéro Pièce   | Rev.        |
|  | 5412ESSMP1412066NOIPB         | 6<br>0<br>7 |

This drawing is confidential and must not be reproduced or used without the consent of EXM

Ce dessin est confidentiel et ne doit pas être reproduit ou utilisé sans le consentement de EXM

| No. | Revisions | Date | By/Par |
|-----|-----------|------|--------|
|     |           |      |        |
|     |           |      |        |
|     |           |      |        |
|     |           |      |        |
|     |           |      |        |



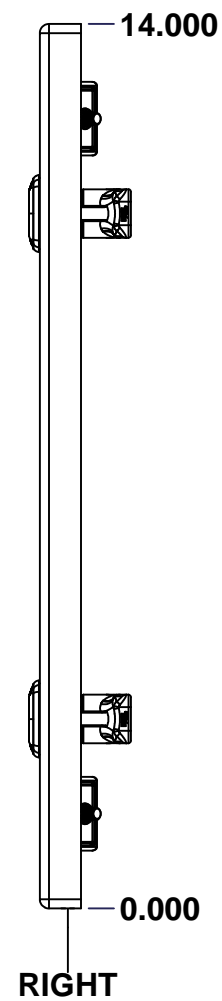
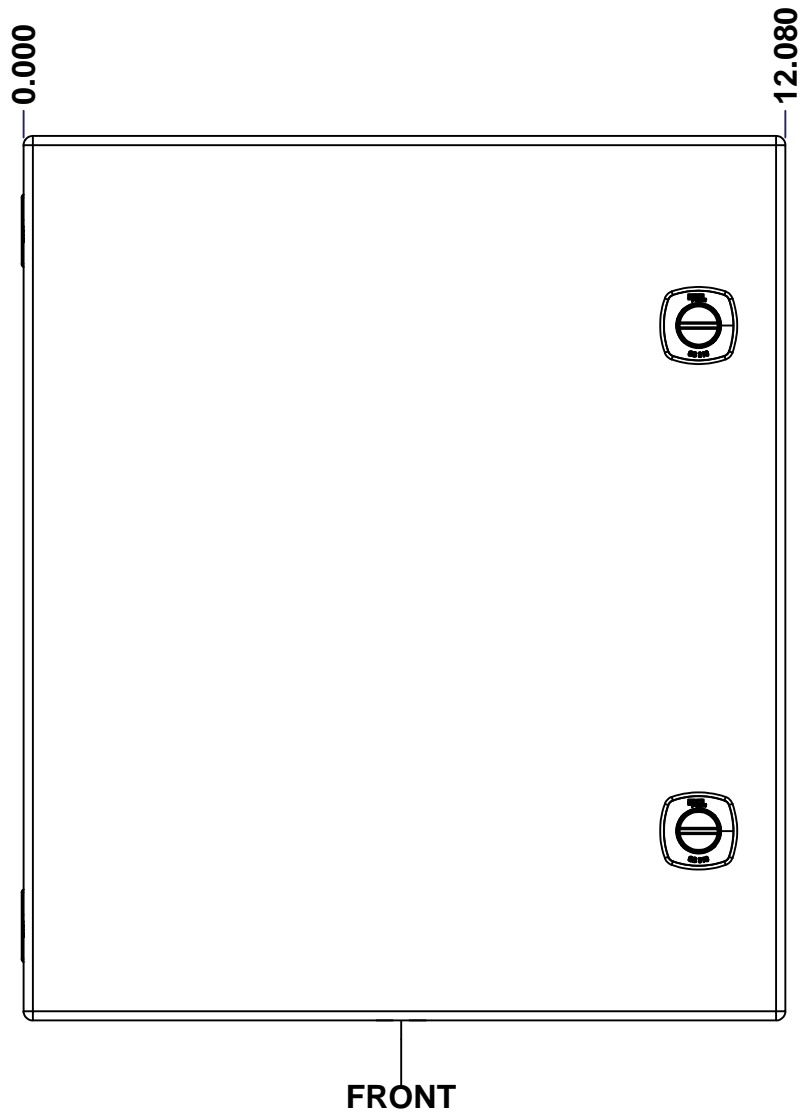
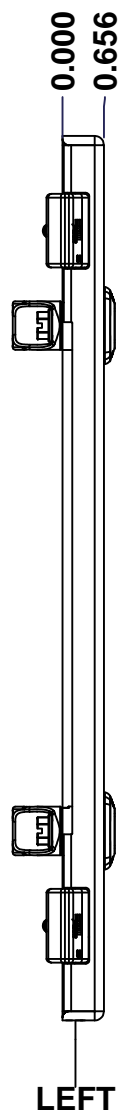
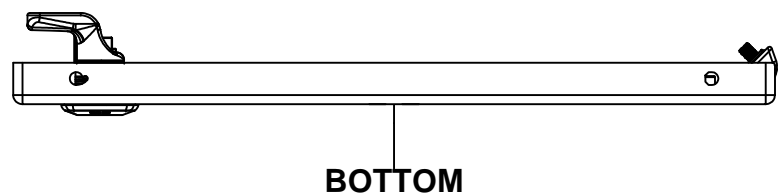
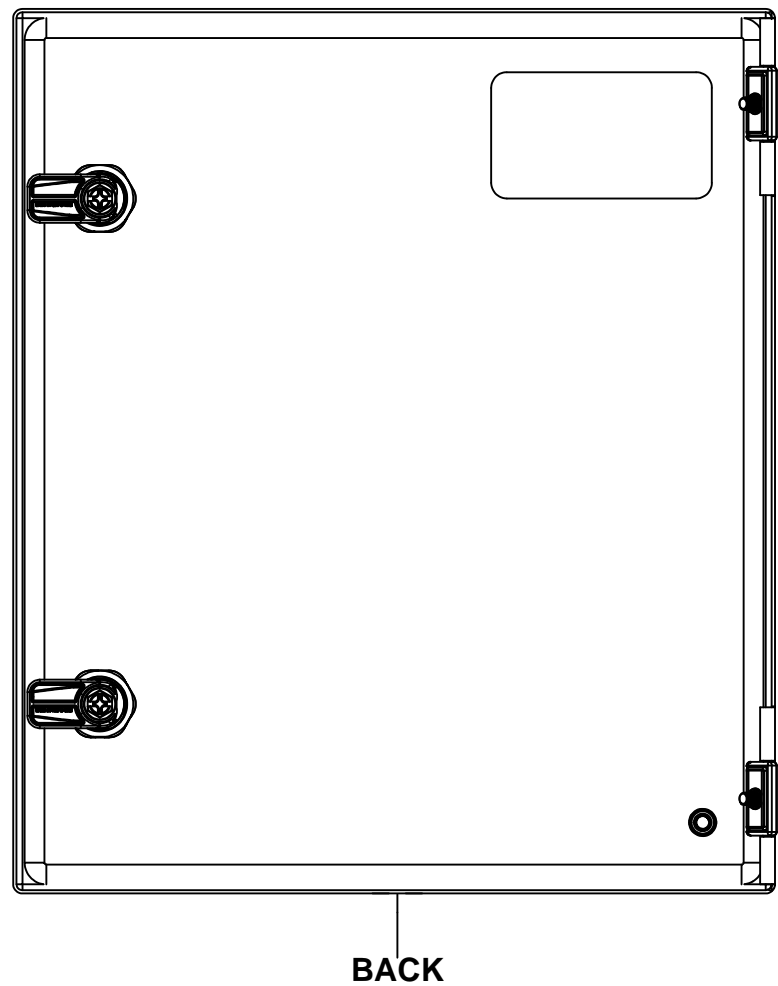
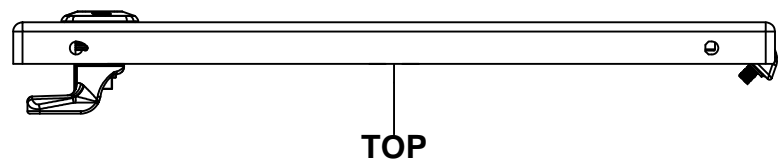
|  |                       |                           |
|--|-----------------------|---------------------------|
| Tél: (450) 979-4373<br>Fax: (450) 979-4626<br><a href="http://www.exmweb.com">www.exmweb.com</a> |                       | Flatness<br>Aplatissement |
|  |                       | Max 3.0mm                 |
| Customer<br>Client   |                       | Date                      |
| Drawn By<br>Dessiné Par BoxCad: BoxCad   |                       | Date 22-Nov-21            |
| Material<br>Matière 16 Ga Stainless Steel 316 (1.4mm)  |                       |                           |
| Color<br>Couleur Asa-61 Grey   | Finish<br>Fini Smooth |                           |
| Description<br>5412ESSMP 14" x 12" x 6" Body   |                       | Detail Rev.               |
| Part Number<br>Numéro Pièce <b>5412ESSMP1412066NOIPB</b>   |                       | Rev. <b>0</b>             |

| Qty        | Part Number                 | Rev | Description  |
|------------|-----------------------------|-----|--|
| 2          | STK-Q-00200                 | 0   | M5 x 8mm Stainless Steel 316 Carriage Bolt with Nyseal |
| 2          | STK-Q-08112                 | 3   | M5 Stainless Steel 304 Nylon Insert Dome Nut           |
| 1          | STK-P-02400S                | 0   | Powder Paint (Asa-61 Grey / Smooth)                    |
| 1          | 5412ESSMP1412066NOI<br>PB-P | 0   | 5412ESSMP 14" x 12" x 6" Body Part                     |
| 4          | STK-Q-71316                 | 4   | 5412 ESSMCH Stainless Steel Mounting Foot              |
| 5          | STK-Q-08500                 | 4   | Stainless Steel Standoff M6 x 10mm                     |
| Parts List |                             |     |  |

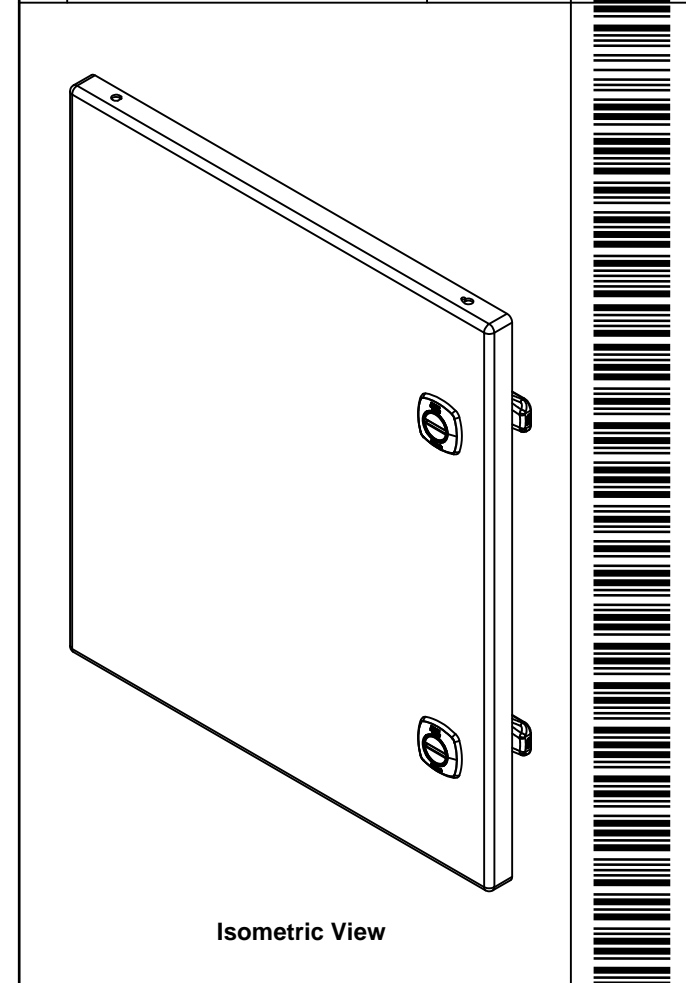
|   |
|---|
| 7 |
| 7 |

This drawing is confidential and must not be reproduced or used without the consent of EXM

Ce dessin est confidentiel et ne doit pas être reproduit ou utilisé sans le consentement de EXM



| No. | Revisions | Date | By/Par |
|-----|-----------|------|--------|
|     |           |      |        |
|     |           |      |        |
|     |           |      |        |
|     |           |      |        |



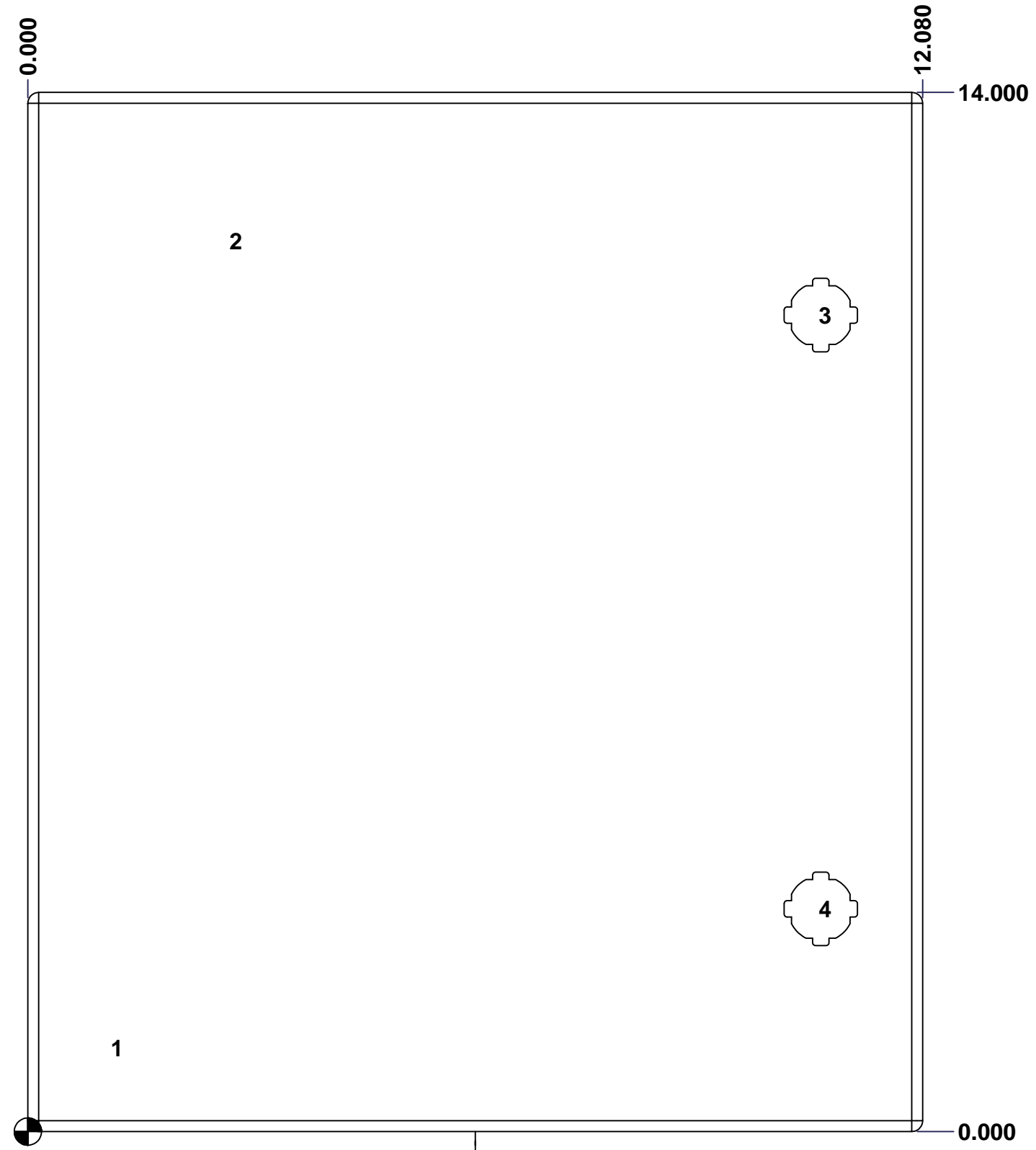
|  |  |   |       |
|--|--|---|-------|
| Tél: (450) 979-4373<br>Fax: (450) 979-4626<br><a href="http://www.exmweb.com">www.exmweb.com</a> |  | Flatness / Aplatissement<br>Max 3.0mm<br>Projection |       |
|  |  |   |       |
| Customer Client  |  | Date  |       |
| Drawn By / Dessiné Par: BoxCad: BoxCad   |  | Date: 22-Nov-21                                     |       |
| Material / Matière: 16 Ga Stainless Steel 316 (1.4mm)  |  | Detail Rev.   |       |
| Color / Couleur: Asa-61 Grey   |  | Finish / Fini: Smooth                               |       |
| Description: 5412ESSMP 14" x 12" Cover   |  | Detail Rev.   |       |
| Part Number / Numéro Pièce: 5412ESSMP1412066NOIPC  |  | Rev. 0  | 1 / 3 |

SEE BILL OF MATERIAL ON LAST PAGE

This drawing is confidential and must not be reproduced or used without the consent of EXM

Ce dessin est confidentiel et ne doit pas être reproduit ou utilisé sans le consentement de EXM

| STANDARD FEATURES ARE NOT LISTED IN THIS HOLE TABLE |        |        |                             |
|---|--------|--------|-----------------------------|
| HOLE TABLE - FRONT VIEW (CUSTOM FEATURE ONLY)       |        |        |                             |
| CUT-OUT   | XDIM   | YDIM   | DESCRIPTION                 |
| 1   | 1.145  | 1.125  | STANDOFF M6 x 10mm (Inside) |
| 2   | 2.750  | 12.000 | LABEL_EXM                   |
| 3   | 10.705 | 11.000 | LOCK 880 SCQ4-SLSS6 @ 0.0°  |
| 4   | 10.705 | 3.000  | LOCK 880 SCQ4-SLSS6 @ 0.0°  |



FRONT

|  |                              |          |
|--|------------------------------|----------|
|  | Description                  | Status   |
|  | 5412ESSMP 14" x 12" Cover    | (NULL)   |
|  | Part Number<br>Numéro Pièce  | Rev.     |
|  | <b>5412ESSMP1412066NOIPC</b> | <b>0</b> |
|  |                              | 2        |
|  |                              | 3        |



