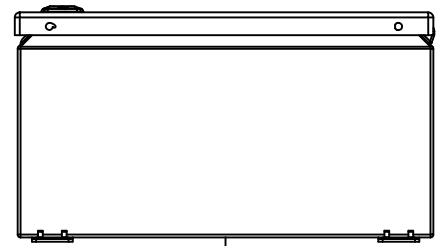
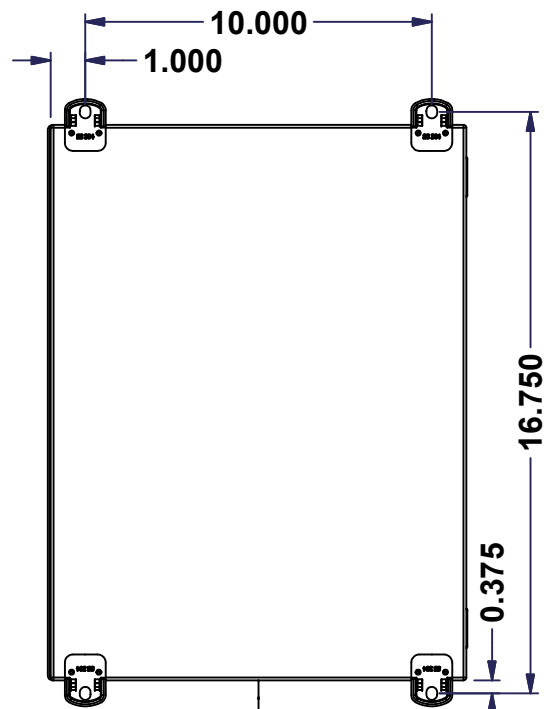


This drawing is confidential and must not be reproduced or used without the consent of EXM

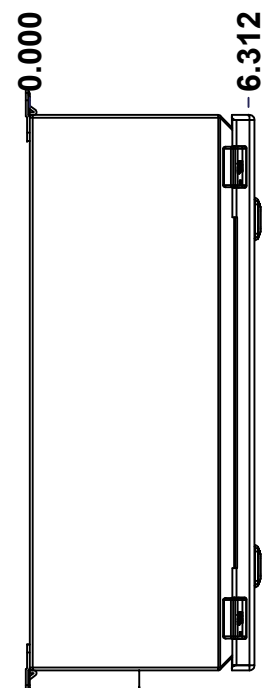
Ce dessin est confidentiel et ne doit pas être reproduit ou utilisé sans le consentement de EXM



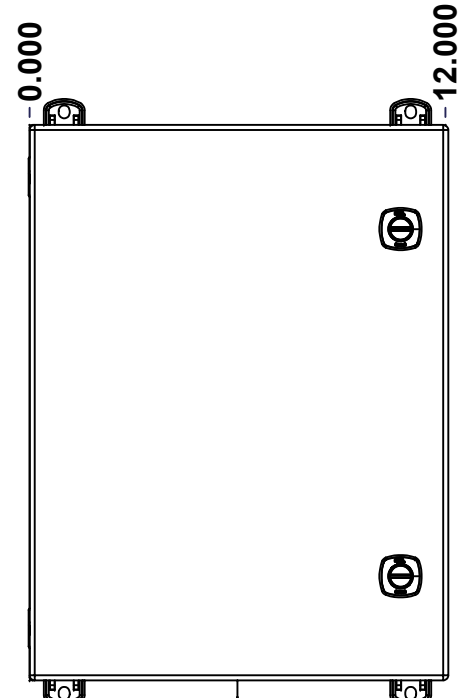
TOP



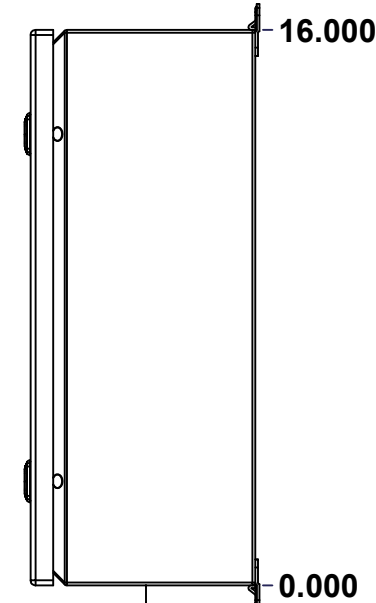
BACK



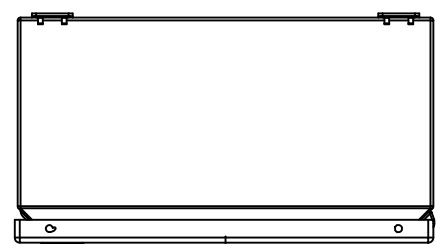
LEFT



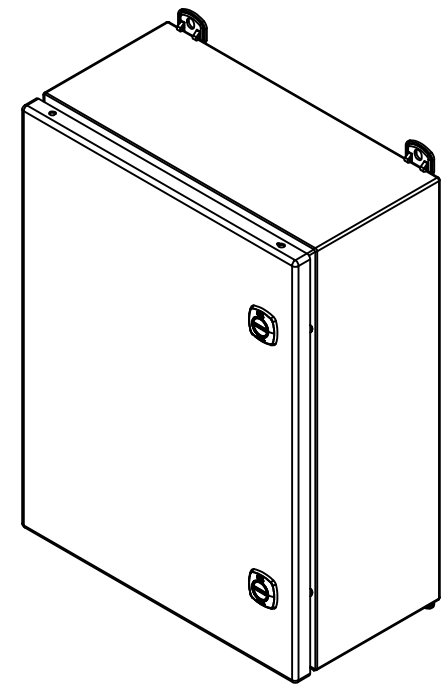
FRONT



RIGHT




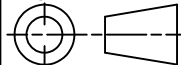
BOTTOM



Isometric View



| No. | Revisions | Date | By/Par |
|-----|-----------|------|--------|
| | | | |
| | | | |
| | | | |
| | | | |

| | | |
|--|-----------------------------------|---|
|  Tél: (450) 979-4373 Fax: (450) 979-4626 www.exmweb.com | | Flatness Aplatissement Max 3.0mm Projection  |
| Customer Client | Date | Date |
| Drawn By Dessiné Par | BoxCad: BoxCad | Date 22-Nov-21 |
| Material Matière | 16 Ga Stainless Steel 316 (1.4mm) | |
| Color Couleur | Asa-61 Grey | Finish Fini Smooth |
| Description | 5412ESSMP 16" x 12" x 6" Assembly | |
| Part Number Numéro Pièce | Rev. 0 | 1 2 |

SEE BILL OF MATERIAL ON LAST PAGE

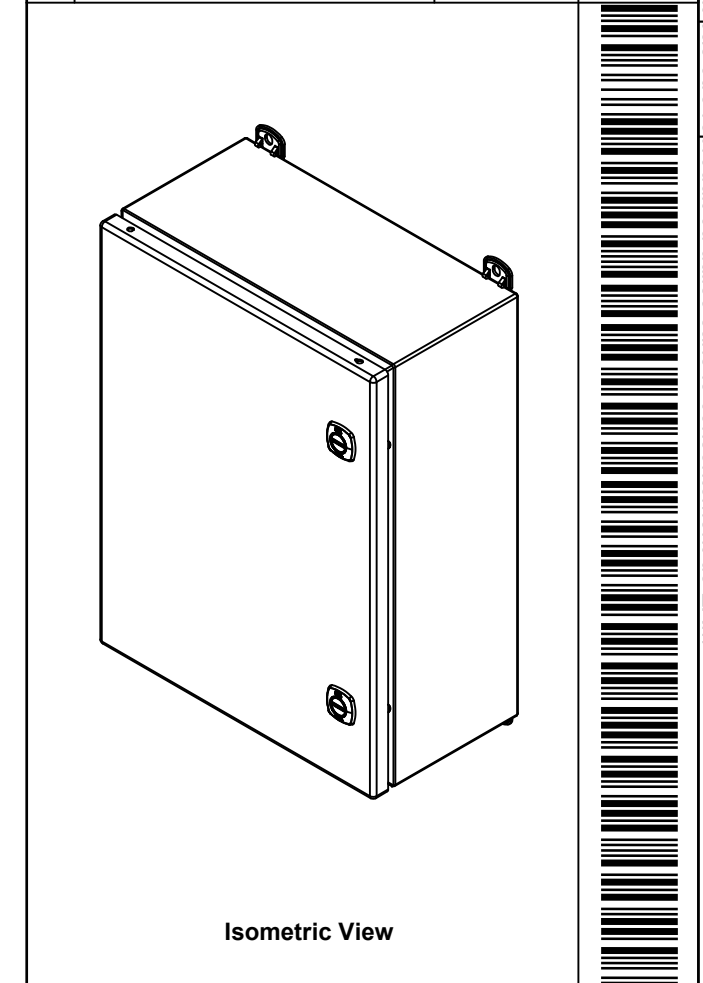
5412ESSMP1612066NOIP

This drawing is confidential and must not be reproduced or used without the consent of EXM

Ce dessin est confidentiel et ne doit pas être reproduit ou utilisé sans le consentement de EXM

| NOTE | |
|------|--|
| ITEM | DESCRIPTION |
| 1 | NEMA 4X Enclosure |
| 2 | C/W Standard ground standoffs on box and cover |
| 3 | W/O Standard door stiffener |
| 4 | W/O Inner panel |
| 5 | C/W Standard inner panel mounting standoffs |
| 6 | C/W 885 ESCHMF2 Mounting Feet (Welded) |

| No. | Revisions | Date | By/Par |
|-----|-----------|------|--------|
| | | | |
| | | | |
| | | | |
| | | | |
| | | | |
| | | | |
| | | | |



| | | |
|---|--|--|
| | Tél: (450) 979-4373 Fax: (450) 979-4626 www.exmweb.com | Flatness Aplatissement Max 3.0mm |
| | | Projection |
| Customer Client | | Date |
| Drawn By / Dessiné Par: BoxCad: BoxCad | | Date: 22-Nov-21 |
| Material / Matière: 16 Ga Stainless Steel 316 (1.4mm) | | |

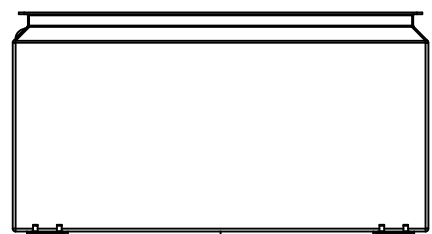
| PACKING | | |
|-----------------|-----|--|
| ITEM | QTY | DESCRIPTION |
| STK-E-04326 | 1 | CARTON 5412 ESCH161206 |
| Plastic bag | 1 | To protect cover surface and inside gasket |
| Packaging label | 1 | White label with product number |
| STK-S-01100 | 1 | ESCH EXM SQUARE STICKER |

| | | | |
|------------|---------------------------|-----|-------------------------------|
| 1 | STK-K-02910 | 3 | 5412 ESCH Accessory Kit |
| 1 | 5412ESSMP1612066NOI PC | 0 | 5412ESSMP 16" x 12" Cover |
| 1 | 5412ESSMP1612066NOI PB | 0 | 5412ESSMP 16" x 12" x 6" Body |
| 2 | STK-Q-08100 | 1 | M5 Nylon Insert Lock Nut |
| Qty | Part Number | Rev | Description |
| Parts List | | | |

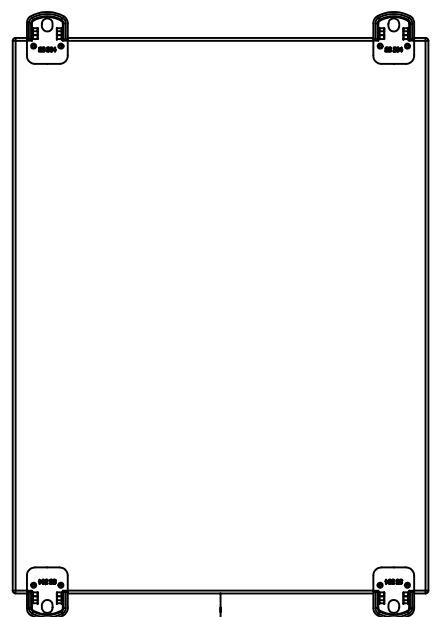
| | |
|---|-----------------------|
| Color / Couleur: Asa-61 Grey | Finish / Fini: Smooth |
| Description: 5412ESSMP 16" x 12" x 6" Assembly | Detail Rev. |
| Part Number / Numéro Pièce: 5412ESSMP1612066NOIP | Rev. 0 |
| | 2 / 2 |

This drawing is confidential and must not be reproduced or used without the consent of EXM

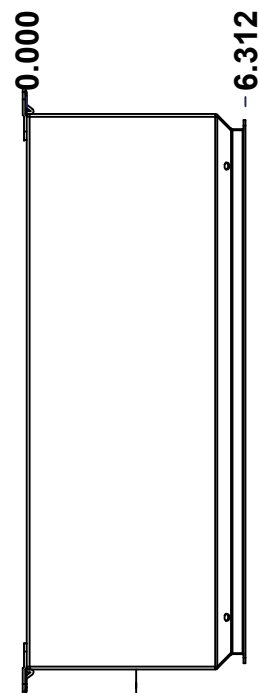
Ce dessin est confidentiel et ne doit pas être reproduit ou utilisé sans le consentement de EXM



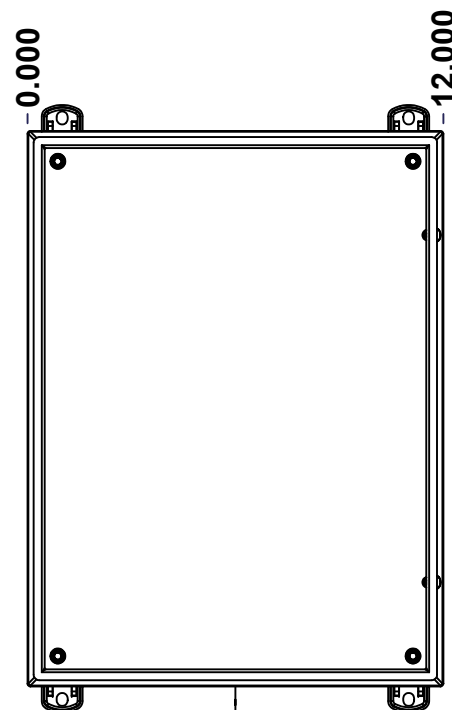
TOP



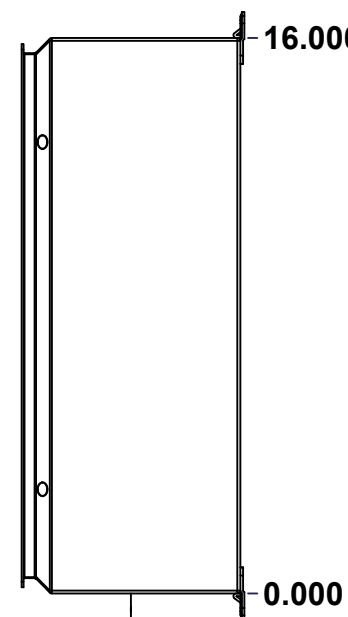
BACK



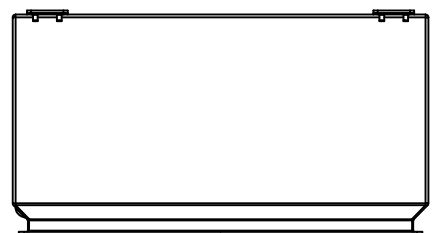
LEFT



FRONT

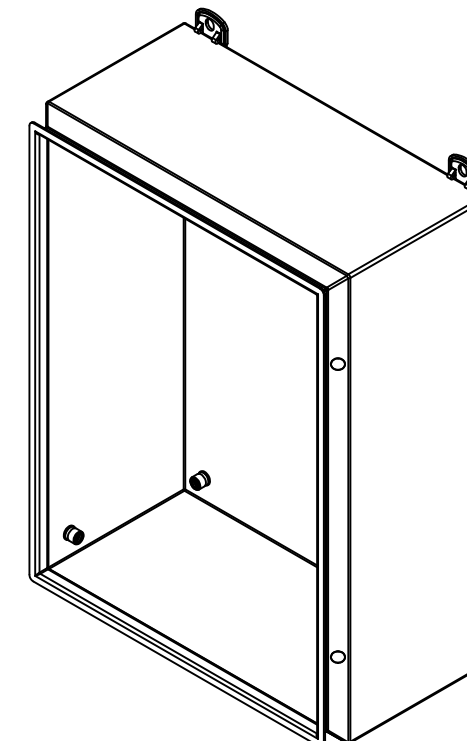


RIGHT



BOTTOM

| No. | Revisions | Date | By/Par |
|-----|-----------|------|--------|
| | | | |
| | | | |
| | | | |
| | | | |



Isometric View

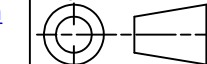


Tél: (450) 979-4373
 Fax: (450) 979-4626
www.exmweb.com

Flatness
Aplatissement

Max 3.0mm

Projection



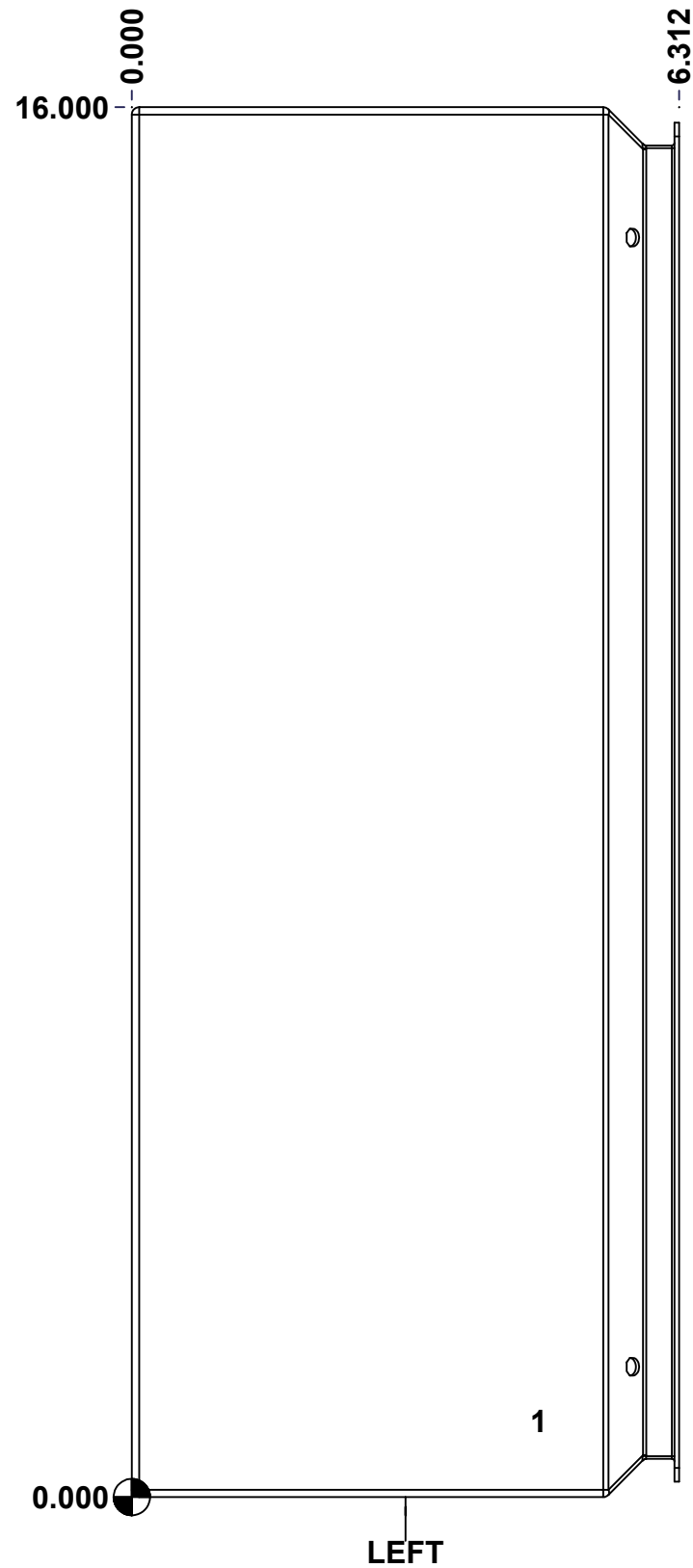
| | |
|---|-----------------------|
| Customer Client | Date |
| Drawn By / Dessiné Par: BoxCad: BoxCad | Date: 22-Nov-21 |
| Material / Matière: 16 Ga Stainless Steel 316 (1.4mm) | |
| Color / Couleur: Asa-61 Grey | Finish / Fini: Smooth |
| Description: 5412ESSMP 16" x 12" x 6" Body | |
| Part Number / Numéro Pièce: 5412ESSMP1612066NOIPB | Detail Rev. / Rev. 1 |
| SEE BILL OF MATERIAL ON LAST PAGE | 0 / 7 |

SEE BILL OF MATERIAL ON LAST PAGE 5412ESSMP1612066NOIPB

This drawing is confidential and must not be reproduced or used without the consent of EXM

Ce dessin est confidentiel et ne doit pas être reproduit ou utilisé sans le consentement de EXM

| STANDARD FEATURES ARE NOT LISTED IN THIS HOLE TABLE | | | |
|--|-------|-------|-----------------------------|
| HOLE TABLE - LEFT VIEW (CUSTOM FEATURE ONLY) | | | |
| CUT-OUT | XDIM | YDIM | DESCRIPTION |
| 1 | 4.625 | 0.875 | STANDOFF M6 x 10mm (Inside) |



| | | | | |
|------------------------------|-------------------------------|----------|--------|---|
| | Description | | Status | |
| | 5412ESSMP 16" x 12" x 6" Body | | (NULL) | |
| Part Number Numéro Pièce | | Rev. | 5 | 7 |
| 5412ESSMP1612066NOIPB | | 0 | | |

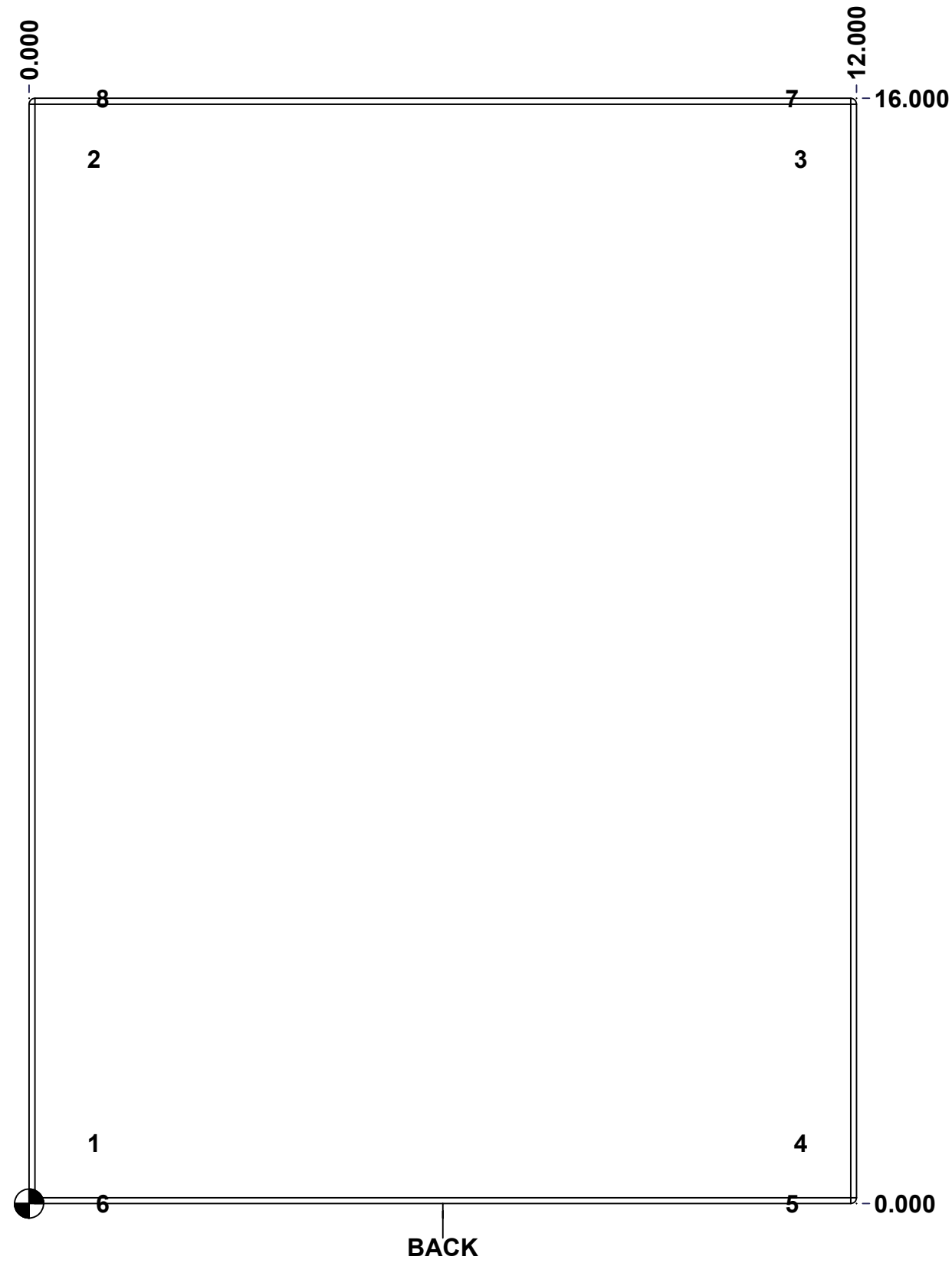
This drawing is confidential and must not be reproduced or used without the consent of EXM

Ce dessin est confidentiel et ne doit pas être reproduit ou utilisé sans le consentement de EXM

STANDARD FEATURES ARE NOT LISTED IN THIS HOLE TABLE

HOLE TABLE - BACK VIEW (CUSTOM FEATURE ONLY)

| CUT-OUT | XDIM | YDIM | DESCRIPTION |
|---------|--------|--------|--------------------------------|
| 1 | 0.875 | 0.875 | IP STANDOFF M6 x 10mm (Inside) |
| 2 | 0.875 | 15.125 | IP STANDOFF M6 x 10mm (Inside) |
| 3 | 11.125 | 15.125 | IP STANDOFF M6 x 10mm (Inside) |
| 4 | 11.125 | 0.875 | IP STANDOFF M6 x 10mm (Inside) |
| ----- | | | |
| 5 | 11.000 | 0.000 | FOOT 885 ESCHMF2 |
| 6 | 1.000 | 0.000 | FOOT 885 ESCHMF2 |
| 7 | 11.000 | 16.000 | FOOT 885 ESCHMF2 |
| 8 | 1.000 | 16.000 | FOOT 885 ESCHMF2 |

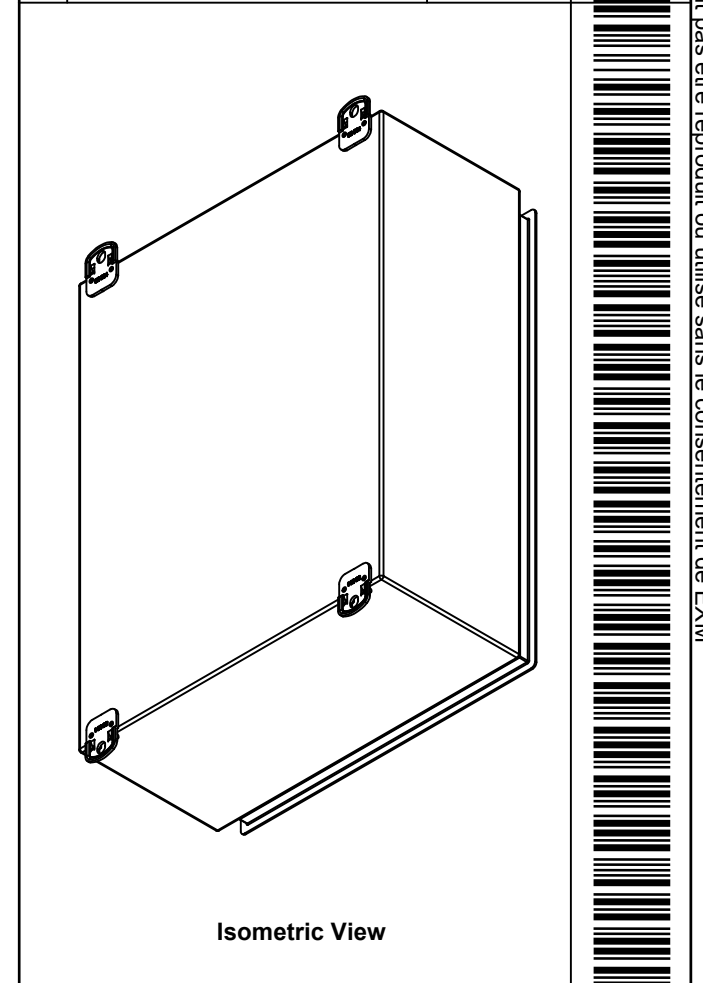



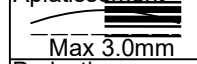
| | | |
|--|-------------------------------|----------|
| | Description | Status |
| | 5412ESSMP 16" x 12" x 6" Body | (NULL) |
| | Part Number Numéro Pièce | Rev. |
| | 5412ESSMP1612066NOIPB | 0 |
| | | 6 |
| | | 7 |

This drawing is confidential and must not be reproduced or used without the consent of EXM

Ce dessin est confidentiel et ne doit pas être reproduit ou utilisé sans le consentement de EXM

| No. | Revisions | Date | By/Par |
|-----|-----------|------|--------|
| | | | |
| | | | |
| | | | |
| | | | |
| | | | |

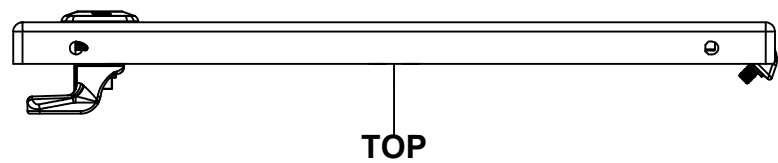


| | | |
|--|--|--|
|  Tél: (450) 979-4373 Fax: (450) 979-4626 www.exmweb.com | | Flatness Aplatissement  Max 3.0mm |
| Customer Client | | Date |
| Drawn By Dessiné Par BoxCad: BoxCad | | Date 22-Nov-21 |
| Material Matière 16 Ga Stainless Steel 316 (1.4mm) | | |
| Color Couleur Asa-61 Grey | | Finish Fini Smooth |
| Description 5412ESSMP 16" x 12" x 6" Body | | Detail Rev. |
| Part Number Numéro Pièce 5412ESSMP1612066NOIPB | | Rev. 7 0 |

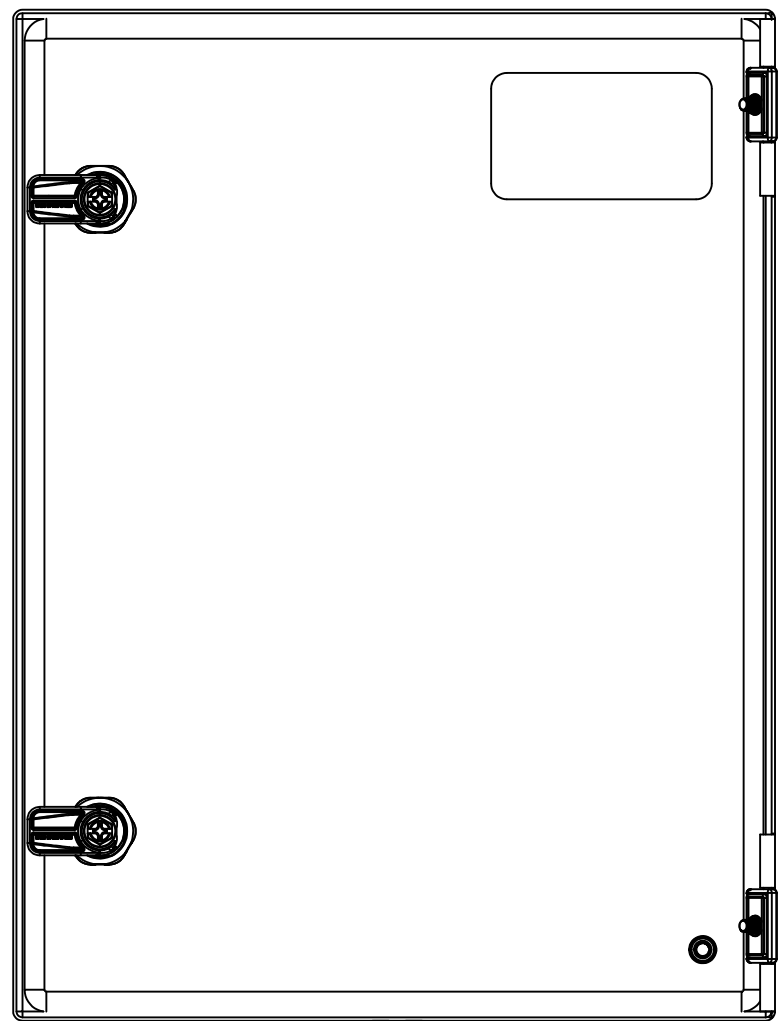
| Qty | Part Number | Rev | Description |
|------------|-------------------------|-----|--|
| 2 | STK-Q-00200 | 0 | M5 x 8mm Stainless Steel 316 Carriage Bolt with Nyseal |
| 2 | STK-Q-08112 | 3 | M5 Stainless Steel 304 Nylon Insert Dome Nut |
| 1 | STK-P-02400S | 0 | Powder Paint (Asa-61 Grey / Smooth) |
| 1 | 5412ESSMP1612066NOIPB-P | 0 | 5412ESSMP 16" x 12" x 6" Body Part |
| 4 | STK-Q-71316 | 4 | 5412 ESSMCH Stainless Steel Mounting Foot |
| 5 | STK-Q-08500 | 4 | Stainless Steel Standoff M6 x 10mm |
| Parts List | | | |

This drawing is confidential and must not be reproduced or used without the consent of EXM

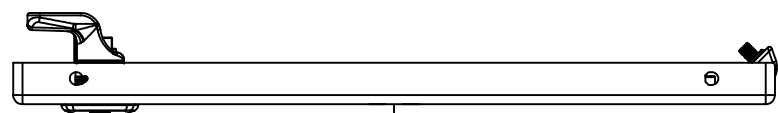
Ce dessin est confidentiel et ne doit pas être reproduit ou utilisé sans le consentement de EXM



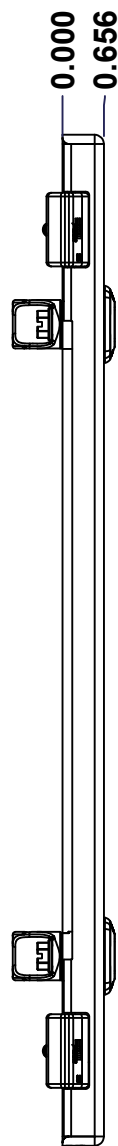
TOP



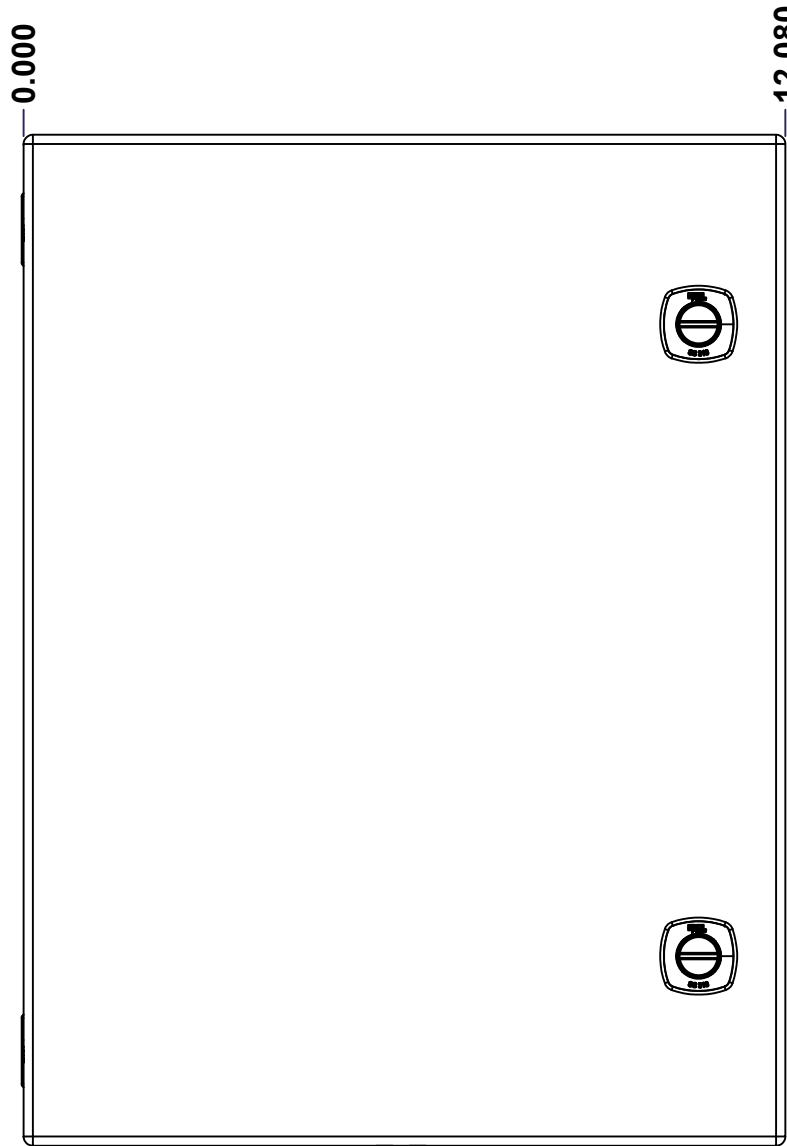
BACK



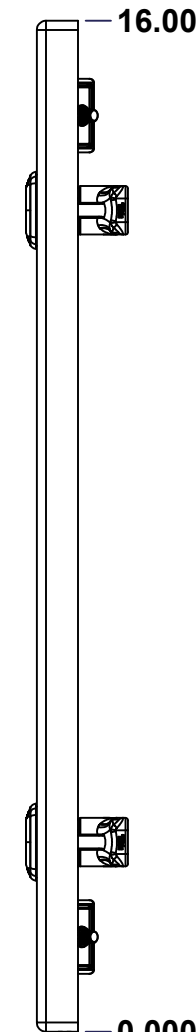
BOTTOM



LEFT

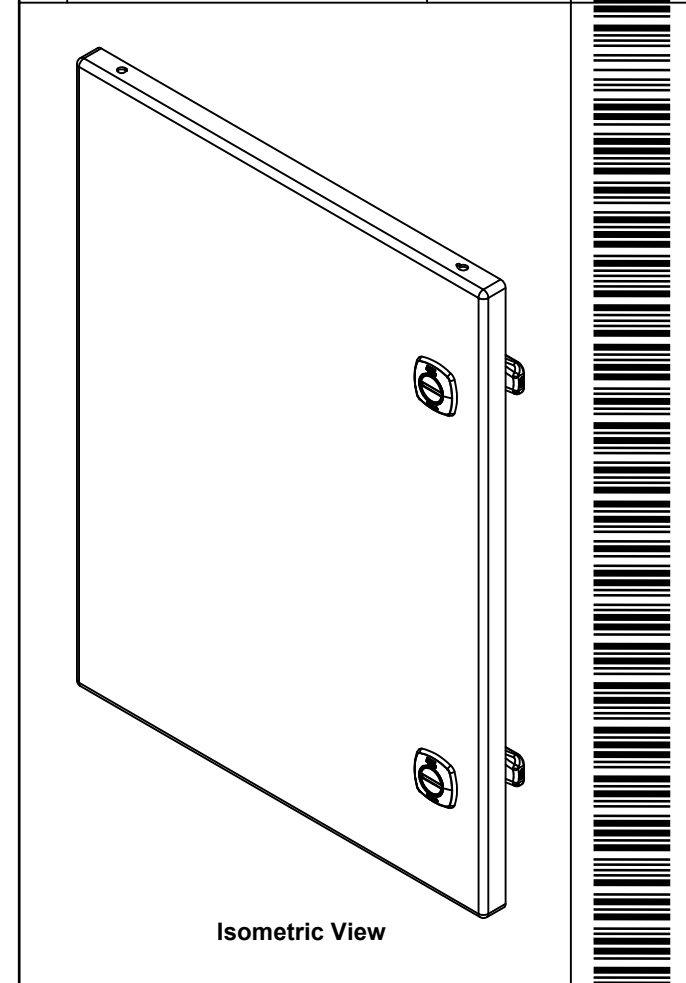


FRONT




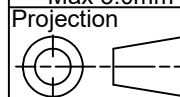
RIGHT

| No. | Revisions | Date | By/Par |
|-----|-----------|------|--------|
| | | | |
| | | | |
| | | | |
| | | | |
| | | | |



Isometric View



| | | |
|--|-----------------------------------|---|
|  Tél: (450) 979-4373 Fax: (450) 979-4626 www.exmweb.com | | Flatness Aplatissement Max 3.0mm Projection  |
| Customer Client | Date | |
| Drawn By Dessiné Par | BoxCad: BoxCad | Date 22-Nov-21 |
| Material Matière | 16 Ga Stainless Steel 316 (1.4mm) | |
| Color Couleur | Asa-61 Grey | Finish Fini Smooth |
| Description | Detail Rev. | |
| 5412ESSMP 16" x 12" Cover | | |
| Part Number Numéro Pièce | Rev. 0 | 1 3 |

SEE BILL OF MATERIAL ON LAST PAGE **5412ESSMP1612066NOIPC**

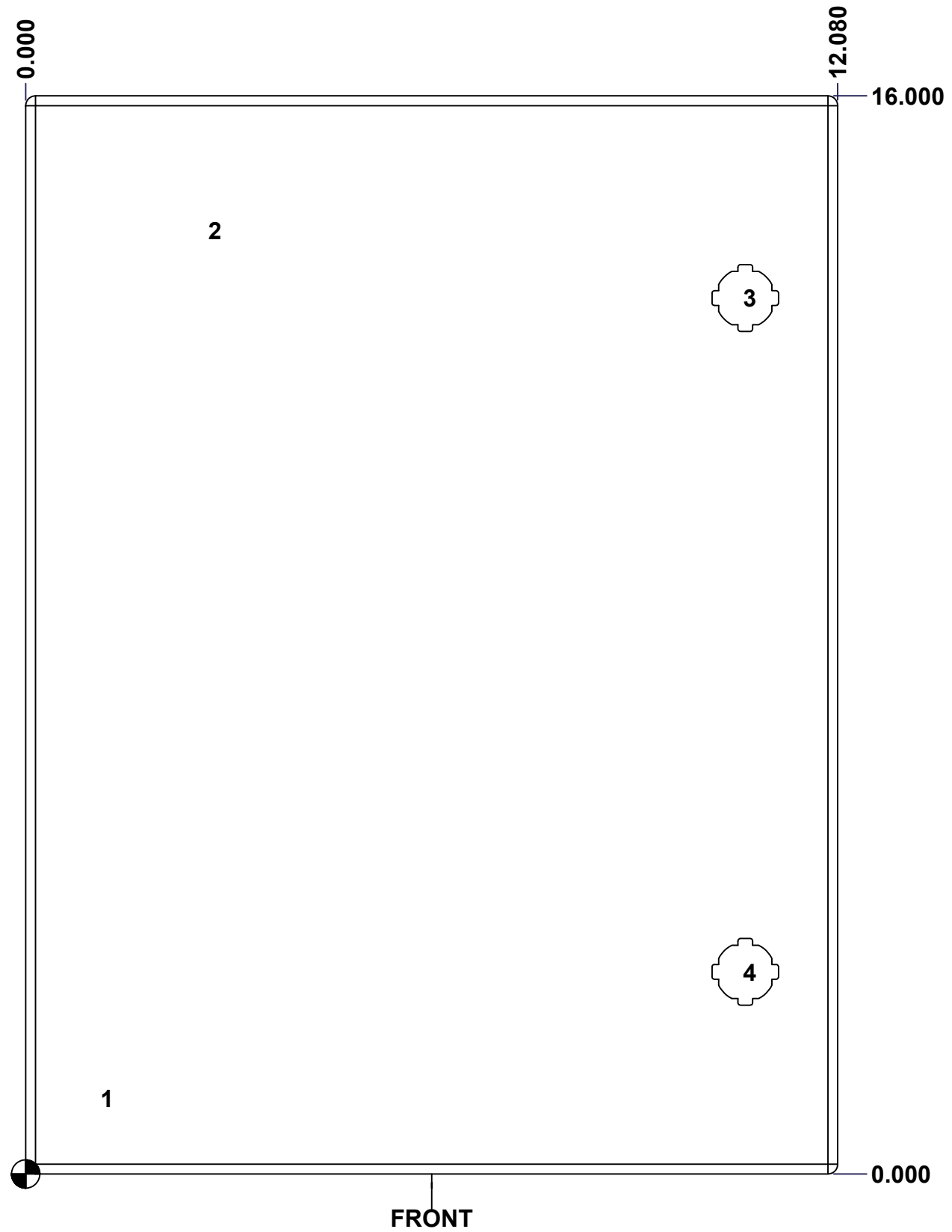
This drawing is confidential and must not be reproduced or used without the consent of EXM

Ce dessin est confidentiel et ne doit pas être reproduit ou utilisé sans le consentement de EXM

STANDARD FEATURES ARE NOT LISTED IN THIS HOLE TABLE

HOLE TABLE - FRONT VIEW (CUSTOM FEATURE ONLY)

| CUT-OUT | XDIM | YDIM | DESCRIPTION |
|---------|--------|--------|-----------------------------|
| 1 | 1.145 | 1.125 | STANDOFF M6 x 10mm (Inside) |
| 2 | 2.750 | 14.000 | LABEL_EXM |
| 3 | 10.705 | 13.000 | LOCK 880 SCQ4-SLSS6 @ 0.0° |
| 4 | 10.705 | 3.000 | LOCK 880 SCQ4-SLSS6 @ 0.0° |

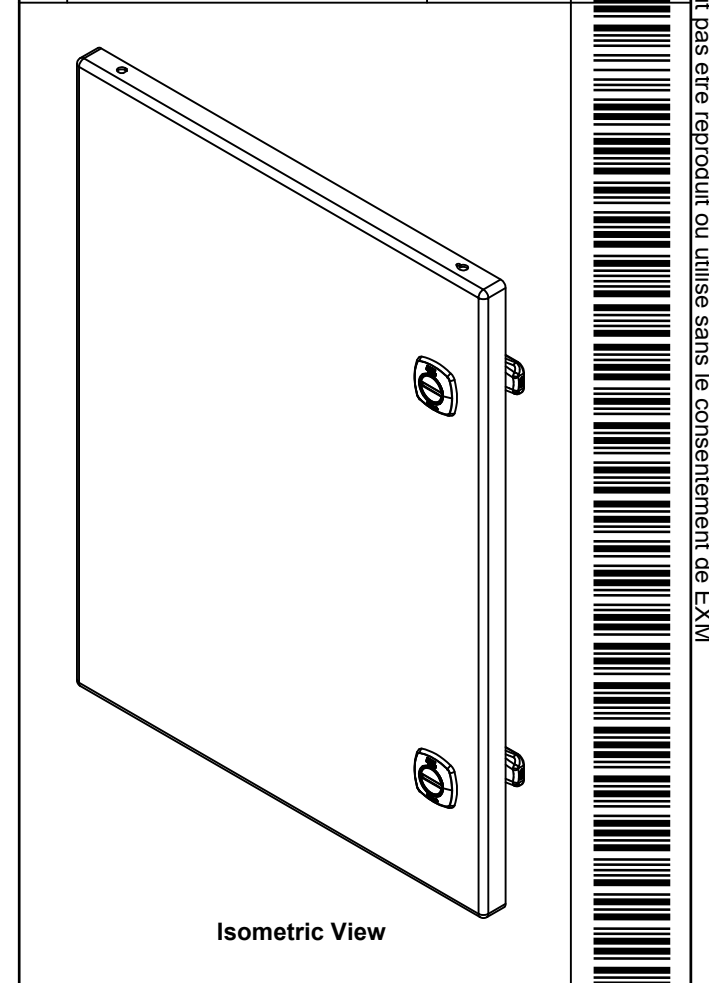



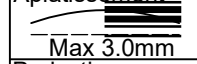
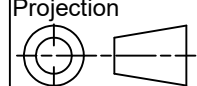
| | | |
|--|------------------------------|----------|
| | Description | Status |
| | 5412ESSMP 16" x 12" Cover | (NULL) |
| | Part Number Numéro Pièce | Rev. |
| | 5412ESSMP1612066NOIPC | 0 |
| | | 2 |
| | | 3 |

This drawing is confidential and must not be reproduced or used without the consent of EXM

Ce dessin est confidentiel et ne doit pas être reproduit ou utilisé sans le consentement de EXM

| No. | Revisions | Date | By/Par |
|-----|-----------|------|--------|
| | | | |
| | | | |
| | | | |
| | | | |
| | | | |



| | | |
|--|-----------------------------------|---|
|  Tél: (450) 979-4373 Fax: (450) 979-4626 www.exmweb.com | | Flatness Aplatissement  Max 3.0mm Projection  |
| Customer Client | Date | |
| Drawn By Dessiné Par | BoxCad: BoxCad | Date 22-Nov-21 |
| Material Matière | 16 Ga Stainless Steel 316 (1.4mm) | |
| Color Couleur | Asa-61 Grey | Finish Fini Smooth |
| Description | Detail Rev. | |
| 5412ESSMP 16" x 12" Cover | | |
| Part Number Numéro Pièce | Rev. 0 | 3 |
| 5412ESSMP1612066NOIPC | | 3 |

| Qty | Part Number | Rev | Description |
|------------|-----------------------------|-----|--|
| 1 | 5412ESSMP1612066NOI PG | 0 | 5412ESSMP 16" x 12" Gasket |
| 1 | STK-S-00100 | 0 | 3.5" x 2" Silver Milar Flexcon Sticker |
| 1 | STK-Q-08500 | 4 | Stainless Steel Standoff M6 x 10mm |
| 1 | STK-P-02400S | 0 | Powder Paint (Asa-61 Grey / Smooth) |
| 1 | 5412ESSMP1612066NOI PC-P | 0 | 5412ESSMP 16" x 12" Cover Part |
| 2 | STK-A-33038 | 3 | 5412 ESSMCH - Stainless Steel Hinge |
| 2 | 880 SCQ4-SLSS6 | 7 | 5412 ESS 1/4 Turn Lock |
| Parts List | | | |