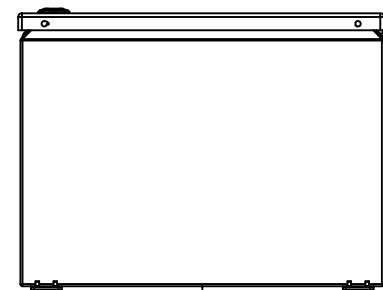
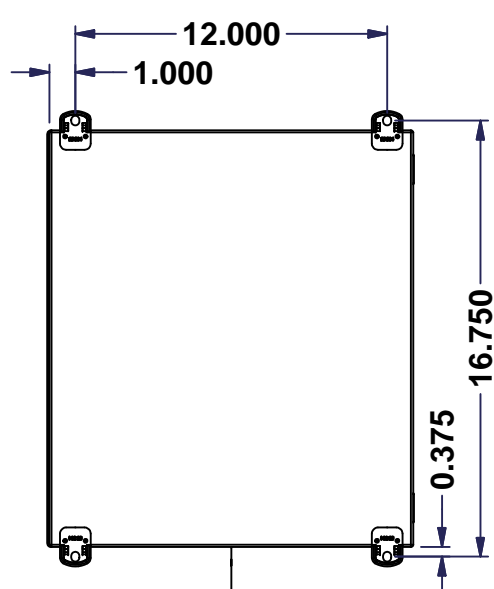


This drawing is confidential and must not be reproduced or used without the consent of EXM

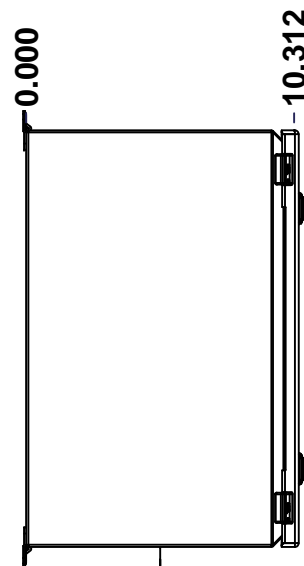
Ce dessin est confidentiel et ne doit pas être reproduit ou utilisé sans le consentement de EXM



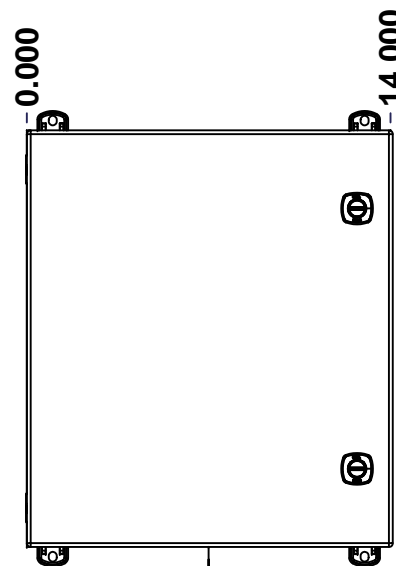
TOP



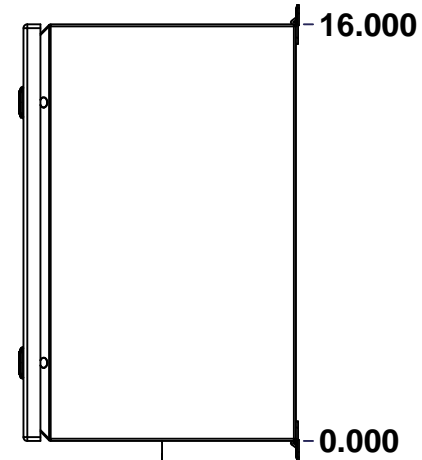
BACK



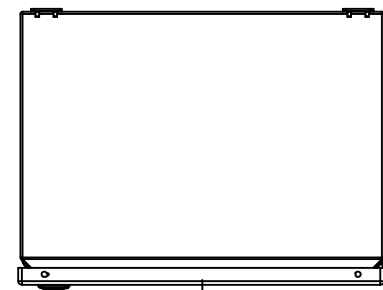
LEFT



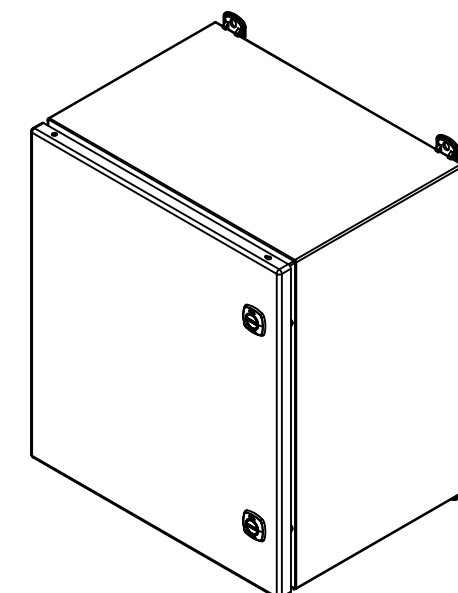
FRONT



RIGHT



BOTTOM



Isometric View



| No. | Revisions | Date | By/Par |
|-----|-----------|------|--------|
|     |           |      |        |
|     |           |      |        |
|     |           |      |        |
|     |           |      |        |

|   |  |  |  |  |
|---|--|--|--|--|
|   |  | Tél: (450) 979-4373<br>Fax: (450) 979-4626<br><a href="http://www.exmweb.com">www.exmweb.com</a> |  | Flatness<br>Aplatissement<br>Max 3.0mm |
| Customer<br>Client                                |  | Date   |  | Projection<br>                         |
| Drawn By<br>Dessiné Par                           |  | BoxCad: BoxCad   |  | Date 18-Oct-21                         |
| Material<br>Matière                               |  | 16 Ga Stainless Steel 316 (1.4mm)  |  |  |
| Color<br>Couleur                                  |  | Asa-61 Grey  |  | Finish<br>Fini<br>Smooth               |
| Description<br>5412ESSMP 16" x 14" x 10" Assembly |  |  |  | Detail Rev.                            |
| Part Number<br>Numéro Pièce                       |  | 5412ESSMP1614106   |  | Rev. 1<br>2                            |

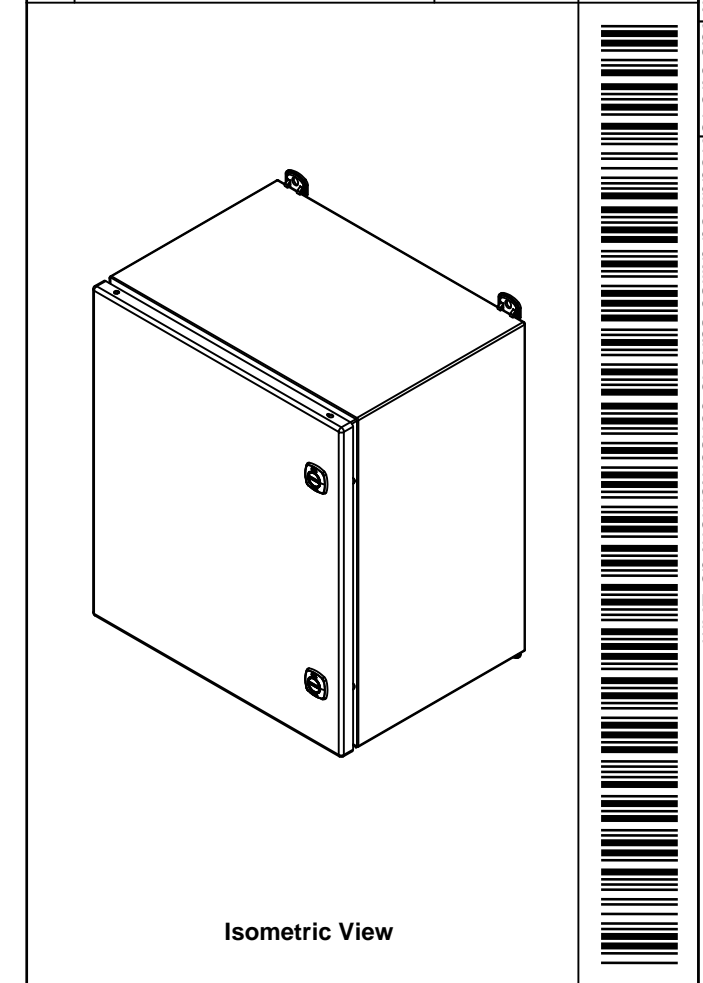
SEE BILL OF MATERIAL ON LAST PAGE

This drawing is confidential and must not be reproduced or used without the consent of EXM

Ce dessin est confidentiel et ne doit pas être reproduit ou utilisé sans le consentement de EXM

| NOTE |  |
|------|--|
| ITEM | DESCRIPTION                                    |
| 1    | NEMA 4X Enclosure                              |
| 2    | C/W Standard ground standoffs on box and cover |
| 3    | W/O Standard door stiffener                    |
| 4    | C/W Standard inner panel (Included)            |
| 5    | C/W Standard inner panel mounting standoffs    |
| 6    | C/W 885 ESCHMF2 Mounting Feet (Welded)         |

| No. | Revisions | Date | By/Par |
|-----|-----------|------|--------|
|     |           |      |        |
|     |           |      |        |
|     |           |      |        |
|     |           |      |        |
|     |           |      |        |
|     |           |      |        |



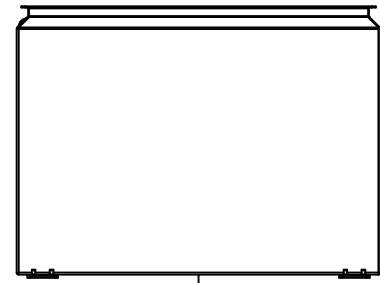
|                                    |  |  |  |  |  |
|------------------------------------|--|--|--|--|--|
|                                    |  | Tél: (450) 979-4373<br>Fax: (450) 979-4626<br><a href="http://www.exmweb.com">www.exmweb.com</a> |  | Flatness<br>Aplatissement<br>Max 3.0mm<br>Projection<br> |  |
| Customer Client                    |  | Date   |  | Date 18-Oct-21   |  |
| Drawn By<br>Dessiné Par            |  | BoxCad: BoxCad   |  | Date 18-Oct-21   |  |
| Material<br>Matière                |  | 16 Ga Stainless Steel 316 (1.4mm)  |  |  |  |
| Color<br>Couleur                   |  | Asa-61 Grey  |  | Finish<br>Fini Smooth                                    |  |
| Description                        |  |  |  | Detail Rev.  |  |
| 5412ESSMP 16" x 14" x 10" Assembly |  |  |  |  |  |
| Part Number<br>Numéro Pièce        |  | 5412ESSMP1614106   |  | Rev. 0   |  |

| PACKING         |     |  |
|-----------------|-----|--|
| ITEM            | QTY | DESCRIPTION                                |
| STK-E-04330     | 1   | CARTON 5412 ESCH161410                     |
| Plastic bag     | 1   | To protect cover surface and inside gasket |
| Packaging label | 1   | White label with product number            |
| STK-S-01100     | 1   | ESCH EXM SQUARE STICKER                    |

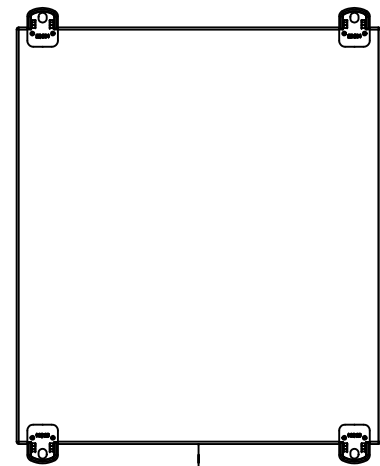
| Qty        | Part Number       | Rev | Description                    |
|------------|-------------------|-----|--------------------------------|
| 1          | 5412ESSMP1614106C | 0   | 5412ESSMP 16" x 14" Cover      |
| 1          | 880 SP1614G       | 0   | 880 SP1614G - Inner Panel      |
| 1          | STK-K-02910       | 3   | 5412 ESCH Accessory Kit        |
| 1          | 5412ESSMP1614106B | 0   | 5412ESSMP 16" x 14" x 10" Body |
| 2          | STK-Q-08100       | 1   | M5 Nylon Insert Lock Nut       |
| Parts List |                   |     |                                |

This drawing is confidential and must not be reproduced or used without the consent of EXM

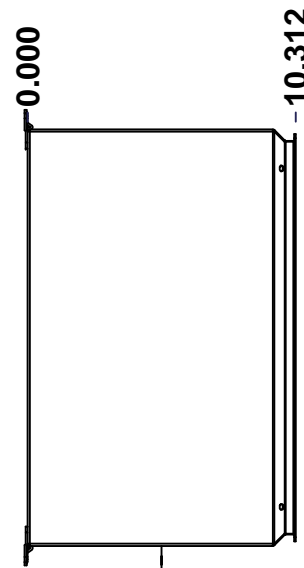
Ce dessin est confidentiel et ne doit pas être reproduit ou utilisé sans le consentement de EXM



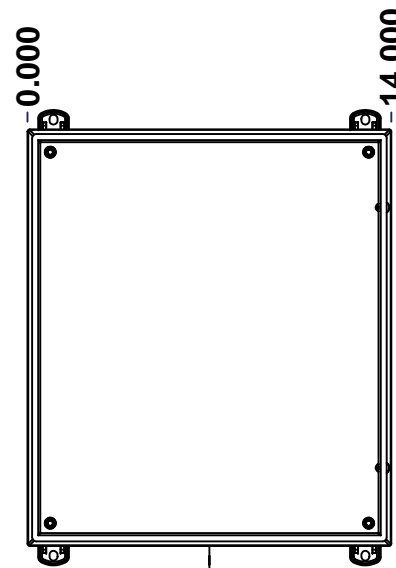
TOP



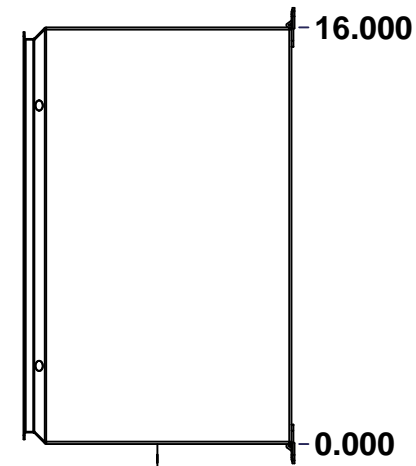
BACK



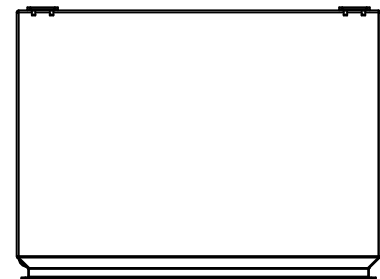
LEFT



FRONT

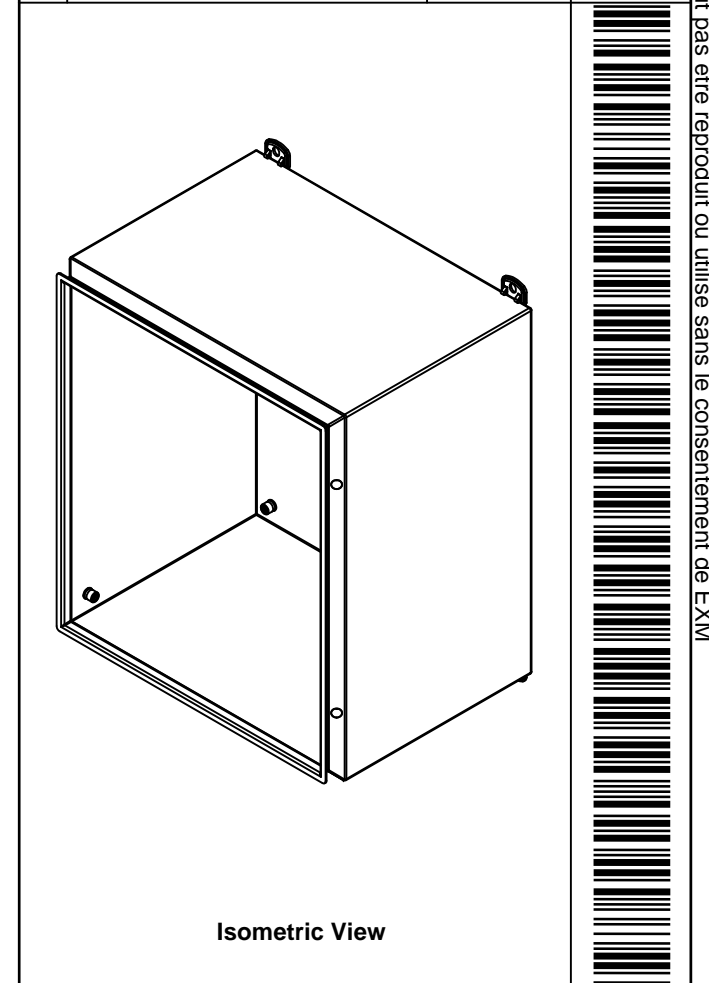


RIGHT





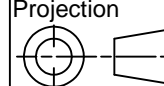
BOTTOM

| No. | Revisions | Date | By/Par |
|-----|-----------|------|--------|
|     |           |      |        |
|     |           |      |        |
|     |           |      |        |
|     |           |      |        |



Isometric View



|  |                                   |   |
|--|-----------------------------------|---|
|  Tél: (450) 979-4373<br>Fax: (450) 979-4626<br><a href="http://www.exmweb.com">www.exmweb.com</a> |                                   | Flatness<br>Aplatissement<br> Max 3.0mm<br>Projection<br> |
| Customer Client  | Date                              |   |
| Drawn By<br>Dessiné Par  | BoxCad: BoxCad                    | Date 18-Oct-21  |
| Material<br>Matière  | 16 Ga Stainless Steel 316 (1.4mm) |   |
| Color<br>Couleur   | Asa-61 Grey                       | Finish<br>Fini Smooth   |
| Description  | Detail Rev.                       |   |
| 5412ESSMP 16" x 14" x 10" Body   |                                   |   |
| Part Number<br>Numéro Pièce  | Rev. 0                            | 1 / 7   |
| <b>5412ESSMP1614106B</b>   |                                   |   |

SEE BILL OF MATERIAL ON LAST PAGE

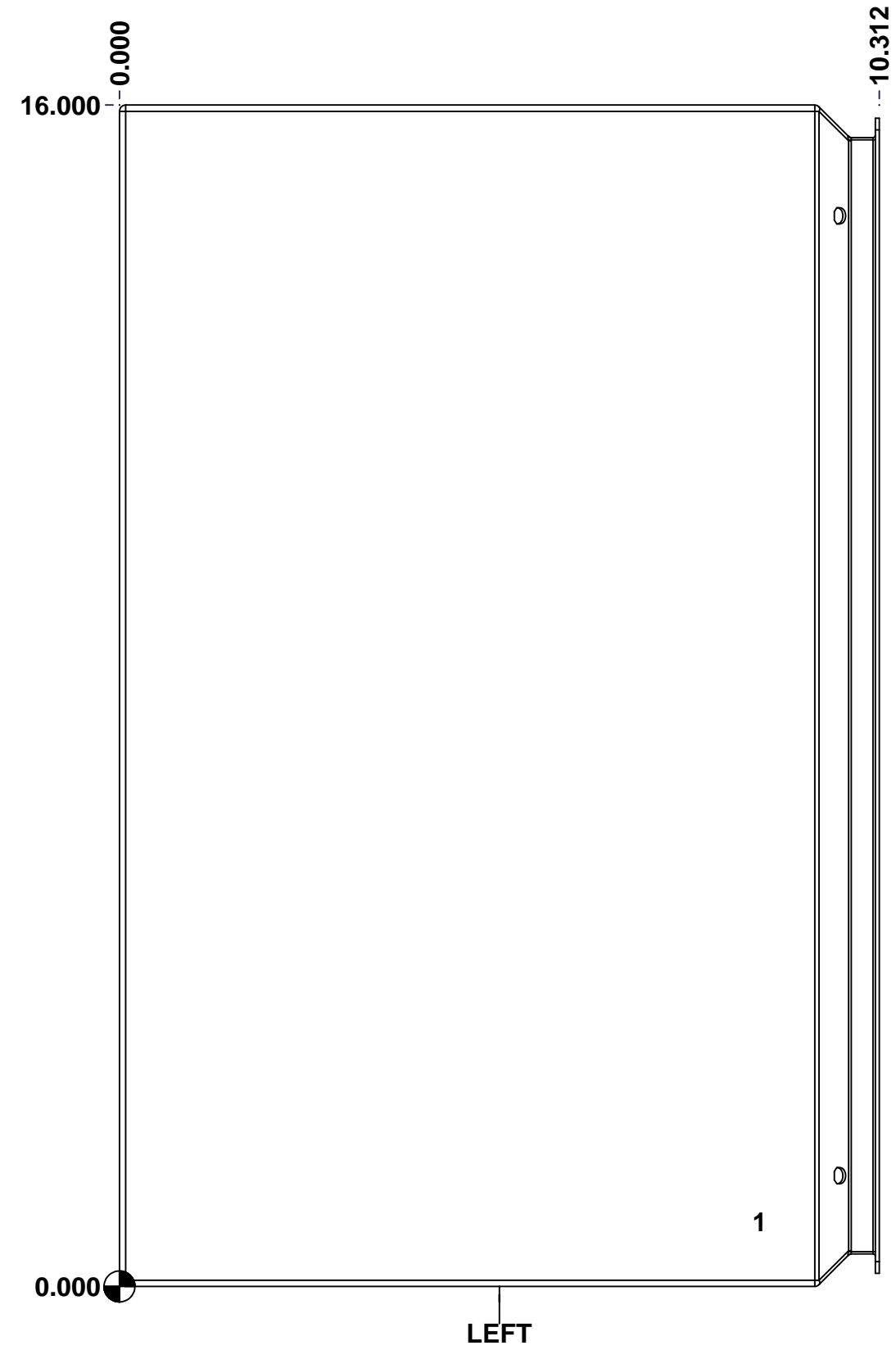
This drawing is confidential and must not be reproduced or used without the consent of EXM

Ce dessin est confidentiel et ne doit pas être reproduit ou utilisé sans le consentement de EXM

**STANDARD FEATURES ARE NOT LISTED IN THIS HOLE TABLE**

**HOLE TABLE - LEFT VIEW (CUSTOM FEATURE ONLY)**

| CUT-OUT | XDIM  | YDIM  | DESCRIPTION                 |
|---------|-------|-------|-----------------------------|
| 1       | 8.625 | 0.875 | STANDOFF M6 x 10mm (Inside) |



|                             |                                |          |        |   |
|-----------------------------|--------------------------------|----------|--------|---|
|                             | Description                    |          | Status |   |
|                             | 5412ESSMP 16" x 14" x 10" Body |          | (NULL) |   |
| Part Number<br>Numéro Pièce |                                | Rev.     | 5      | 7 |
| <b>5412ESSMP1614106B</b>    |                                | <b>0</b> |        |   |

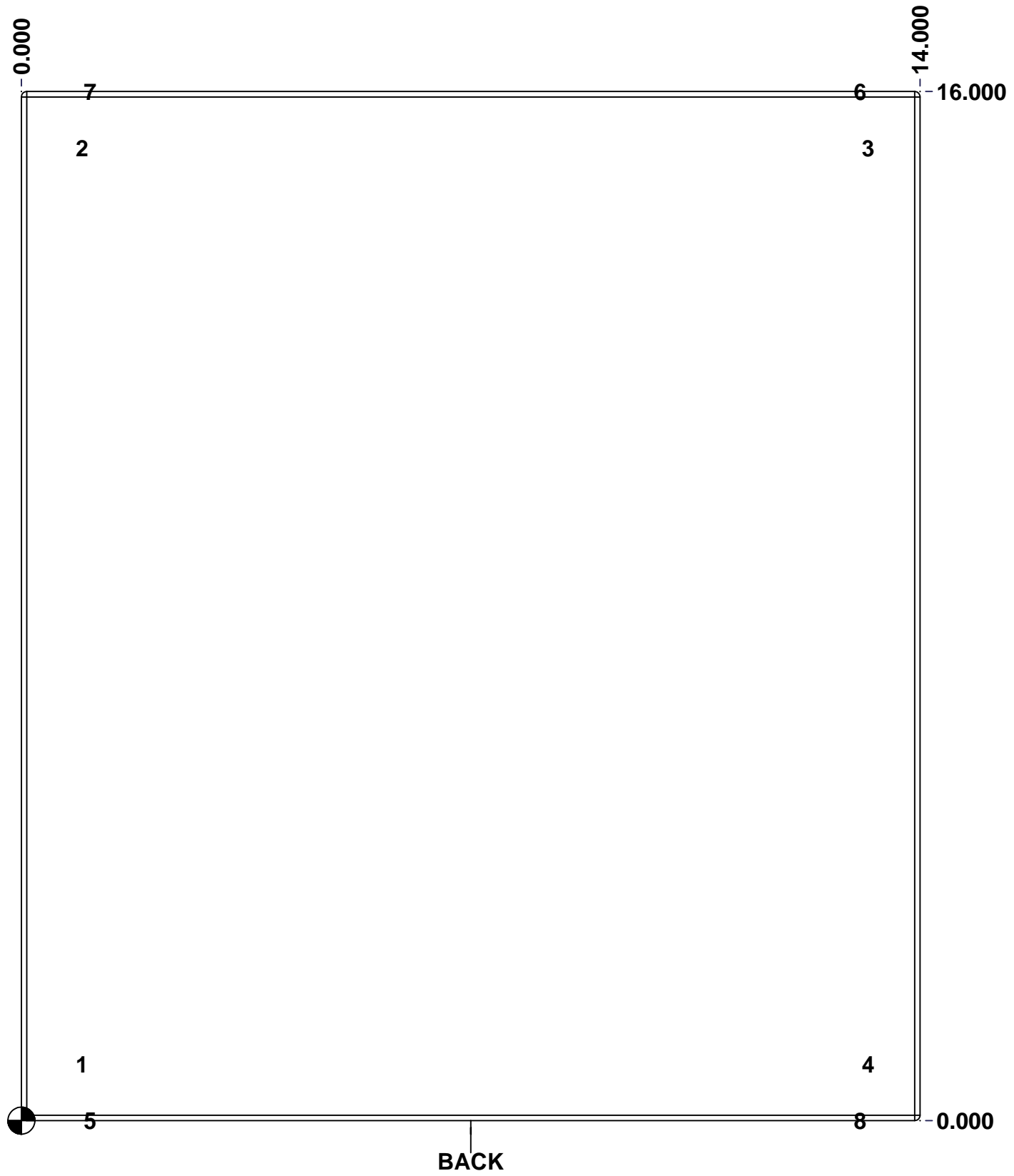
This drawing is confidential and must not be reproduced or used without the consent of EXM

Ce dessin est confidentiel et ne doit pas être reproduit ou utilisé sans le consentement de EXM

**STANDARD FEATURES ARE NOT LISTED IN THIS HOLE TABLE**

**HOLE TABLE - BACK VIEW (CUSTOM FEATURE ONLY)**

| CUT-OUT | XDIM   | YDIM   | DESCRIPTION                    |
|---------|--------|--------|--------------------------------|
| 1       | 0.875  | 0.875  | IP STANDOFF M6 x 10mm (Inside) |
| 2       | 0.875  | 15.125 | IP STANDOFF M6 x 10mm (Inside) |
| 3       | 13.125 | 15.125 | IP STANDOFF M6 x 10mm (Inside) |
| 4       | 13.125 | 0.875  | IP STANDOFF M6 x 10mm (Inside) |
| -----   |        |        |                                |
| 5       | 1.000  | 0.000  | FOOT 885 ESCHMF2               |
| 6       | 13.000 | 16.000 | FOOT 885 ESCHMF2               |
| 7       | 1.000  | 16.000 | FOOT 885 ESCHMF2               |
| 8       | 13.000 | 0.000  | FOOT 885 ESCHMF2               |

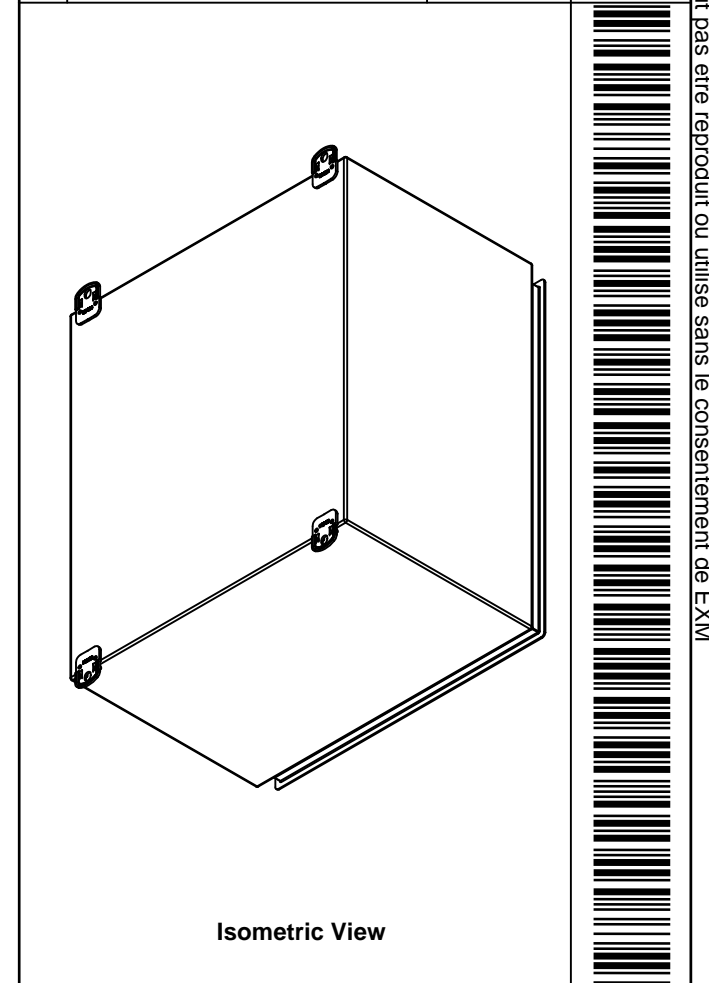



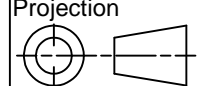
|  |                                |          |
|--|--------------------------------|----------|
|  | Description                    | Status   |
|  | 5412ESSMP 16" x 14" x 10" Body | (NULL)   |
|  | Part Number<br>Numéro Pièce    | Rev.     |
|  | <b>5412ESSMP1614106B</b>       | <b>0</b> |
|  |                                | 6        |
|  |                                | 7        |

This drawing is confidential and must not be reproduced or used without the consent of EXM

Ce dessin est confidentiel et ne doit pas être reproduit ou utilisé sans le consentement de EXM

| No. | Revisions | Date | By/Par |
|-----|-----------|------|--------|
|     |           |      |        |
|     |           |      |        |
|     |           |      |        |
|     |           |      |        |
|     |           |      |        |

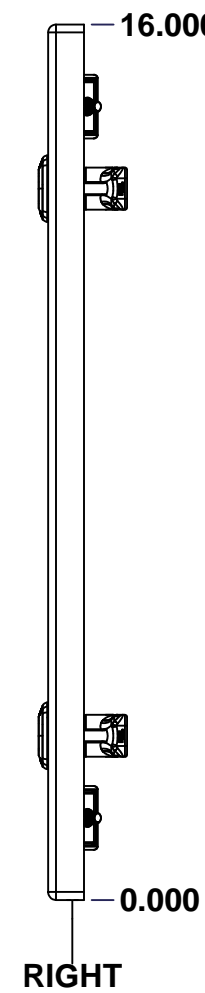
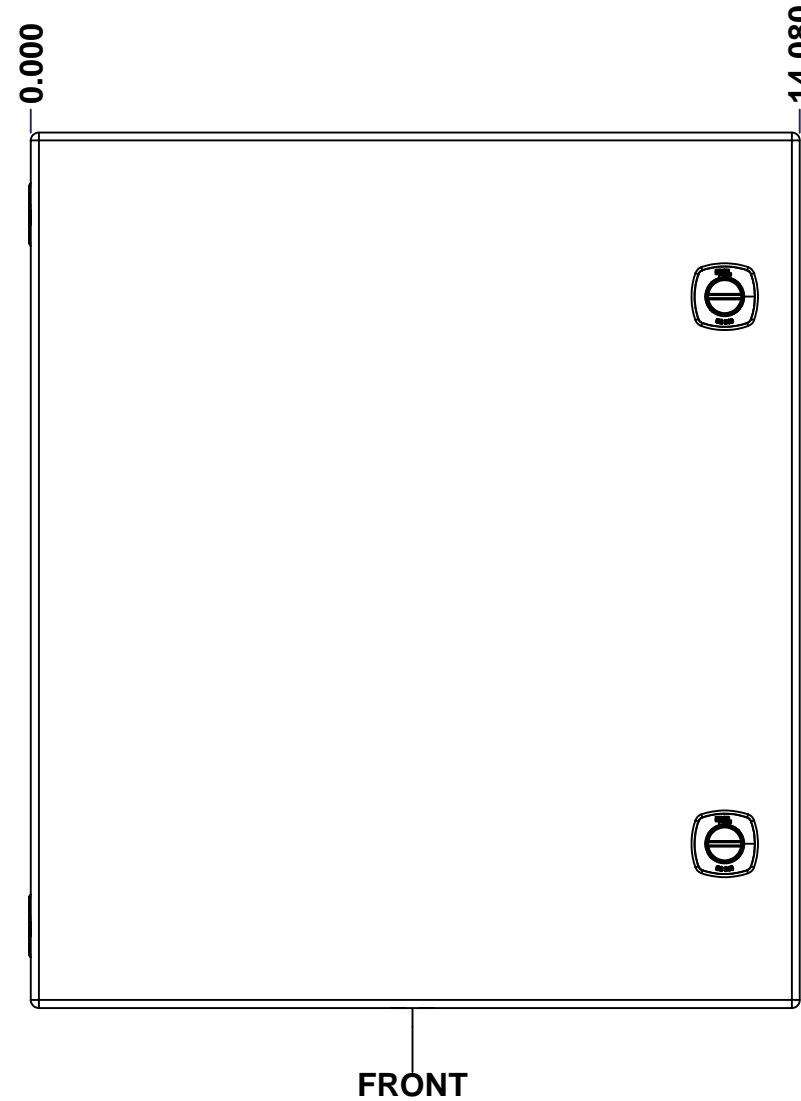
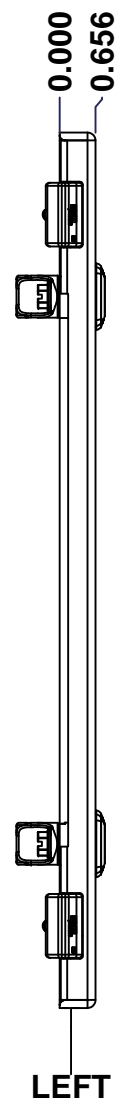
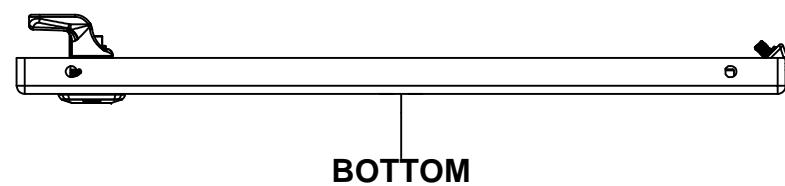
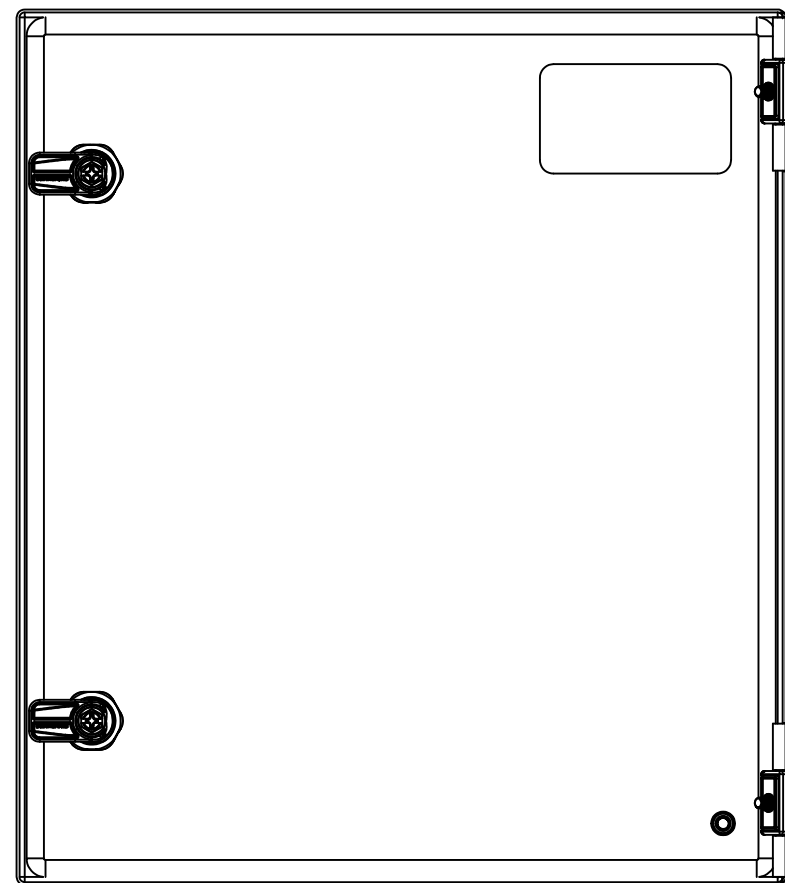
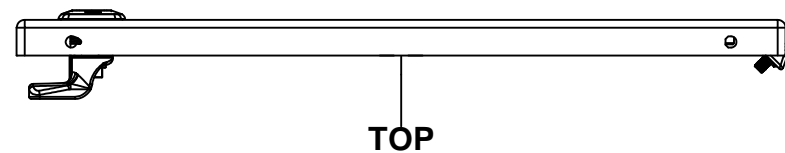


|  |  |   |             |
|--|--|---|-------------|
|  Tél: (450) 979-4373<br>Fax: (450) 979-4626<br><a href="http://www.exmweb.com">www.exmweb.com</a> |  | Flatness<br>Aplatissement<br>Max 3.0mm<br>Projection<br> |             |
| Customer Client  |  | Date  |             |
| Drawn By<br>Dessiné Par BoxCad: BoxCad   |  | Date 18-Oct-21  |             |
| Material<br>Matière 16 Ga Stainless Steel 316 (1.4mm)  |  |   |             |
| Color<br>Couleur Asa-61 Grey   |  | Finish<br>Fini Smooth   |             |
| Description<br>5412ESSMP 16" x 14" x 10" Body  |  |   | Detail Rev. |
| Part Number<br>Numéro Pièce <b>5412ESSMP1614106B</b>   |  | Rev. <b>0</b>   | 7<br>7      |

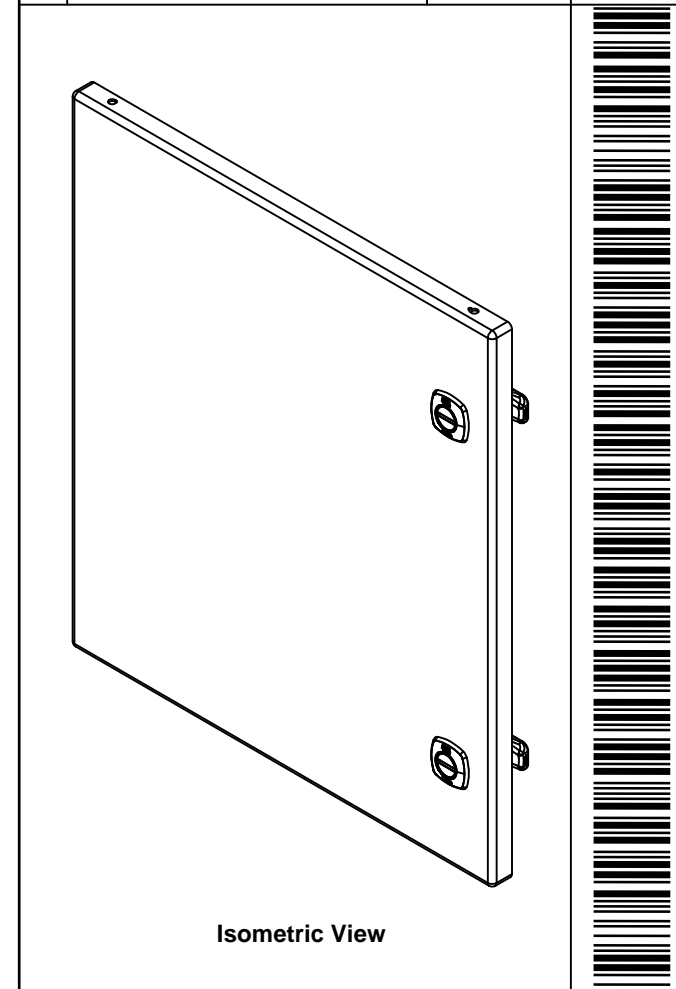
| 2          | STK-Q-00200         | 0   | M5 x 8mm Stainless Steel 316 Carriage Bolt with Nyseal |
|------------|---------------------|-----|--|
| 2          | STK-Q-08112         | 3   | M5 Stainless Steel 304 Nylon Insert Dome Nut           |
| 1          | STK-P-02400S        | 0   | Powder Paint (Asa-61 Grey / Smooth)                    |
| 1          | 5412ESSMP1614106B-P | 0   | 5412ESSMP 16" x 14" x 10" Body Part                    |
| 4          | STK-Q-71316         | 4   | 5412 ESSMCH Stainless Steel Mounting Foot              |
| 5          | STK-Q-08500         | 4   | Stainless Steel Standoff M6 x 10mm                     |
| Qty        | Part Number         | Rev | Description  |
| Parts List |                     |     |  |

This drawing is confidential and must not be reproduced or used without the consent of EXM

Ce dessin est confidentiel et ne doit pas être reproduit ou utilisé sans le consentement de EXM



| No. | Revisions | Date | By/Par |
|-----|-----------|------|--------|
|     |           |      |        |
|     |           |      |        |
|     |           |      |        |
|     |           |      |        |
|     |           |      |        |



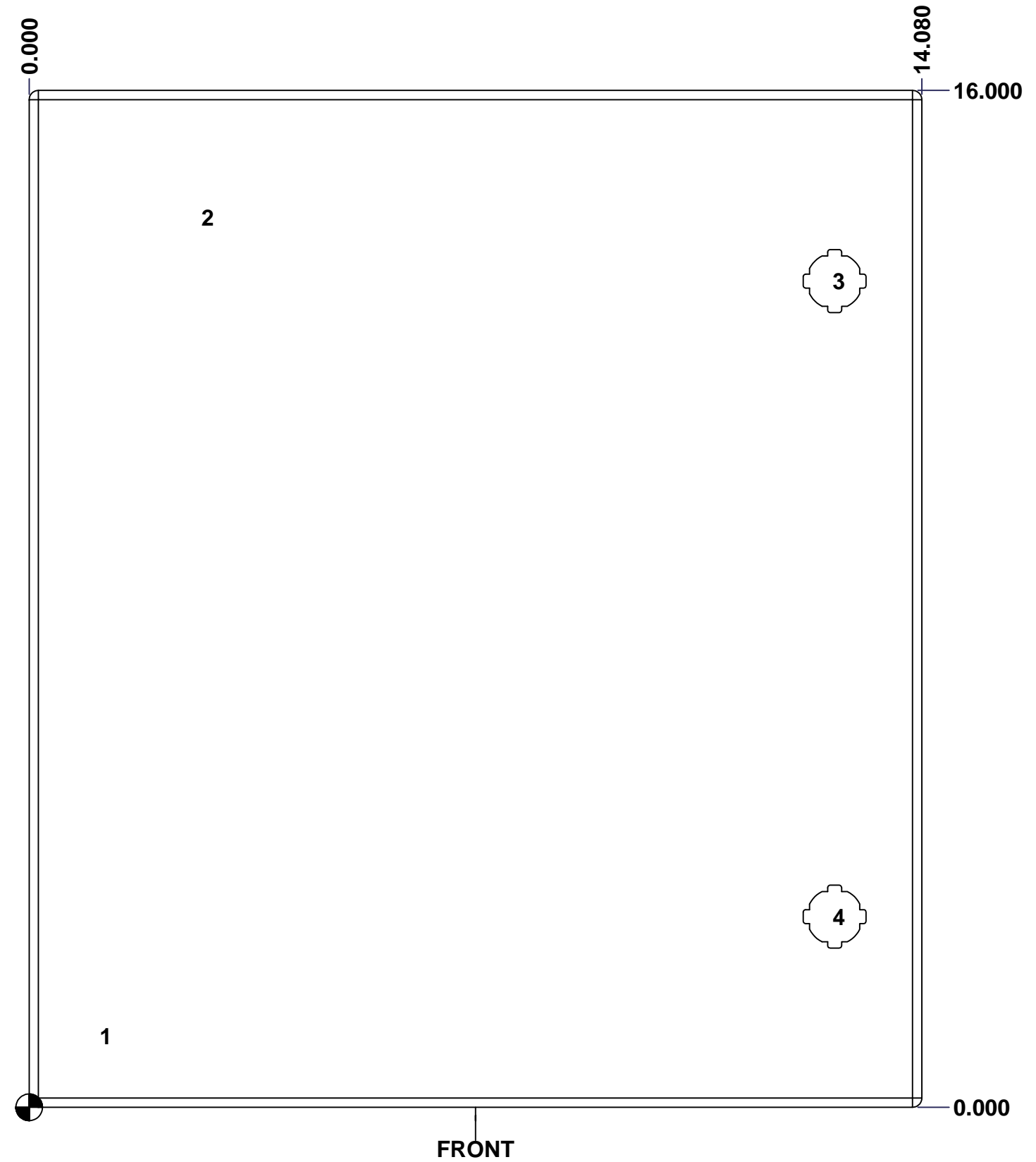
|  |  |                           |             |
|--|--|---------------------------|-------------|
|  Tél: (450) 979-4373<br>Fax: (450) 979-4626<br><a href="http://www.exmweb.com">www.exmweb.com</a> |  | Flatness<br>Aplatissement |             |
|  |  | Max 3.0mm                 |             |
| Customer<br>Client   |  | Date                      |             |
| Drawn By<br>Dessiné Par BoxCad: BoxCad   |  | Date 18-Oct-21            |             |
| Material<br>Matière 16 Ga Stainless Steel 316 (1.4mm)  |  |                           |             |
| Color<br>Couleur Asa-61 Grey   |  | Finish<br>Fini Smooth     |             |
| Description<br>5412ESSMP 16" x 14" Cover   |  |                           | Detail Rev. |
| Part Number<br>Numéro Pièce <b>5412ESSMP1614106C</b>   |  | Rev. <b>0</b>             | 1<br>3      |

**SEE BILL OF MATERIAL ON LAST PAGE**

This drawing is confidential and must not be reproduced or used without the consent of EXM

Ce dessin est confidentiel et ne doit pas être reproduit ou utilisé sans le consentement de EXM

| STANDARD FEATURES ARE NOT LISTED IN THIS HOLE TABLE |        |        |                             |
|---|--------|--------|-----------------------------|
| HOLE TABLE - FRONT VIEW (CUSTOM FEATURE ONLY)       |        |        |                             |
| CUT-OUT   | XDIM   | YDIM   | DESCRIPTION                 |
| 1   | 1.145  | 1.125  | STANDOFF M6 x 10mm (Inside) |
| 2   | 2.750  | 14.000 | LABEL_EXM                   |
| 3   | 12.705 | 13.000 | LOCK 880 SCQ4-SLSS6 @ 0.0°  |
| 4   | 12.705 | 3.000  | LOCK 880 SCQ4-SLSS6 @ 0.0°  |



FRONT

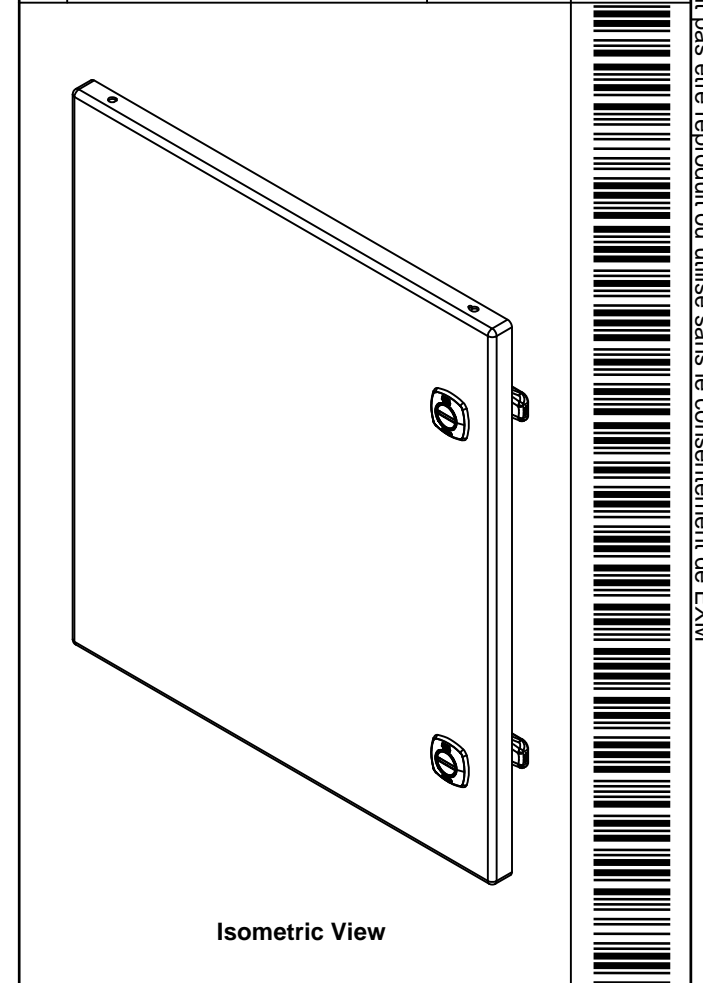
|  |                             |          |
|--|-----------------------------|----------|
|  | Description                 | Status   |
|  | 5412ESSMP 16" x 14" Cover   | (NULL)   |
|  | Part Number<br>Numéro Pièce | Rev.     |
|  | <b>5412ESSMP1614106C</b>    | <b>0</b> |
|  |                             | 2        |
|  |                             | 3        |




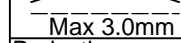
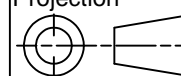
This drawing is confidential and must not be reproduced or used without the consent of EXM

Ce dessin est confidentiel et ne doit pas être reproduit ou utilisé sans le consentement de EXM

| No. | Revisions | Date | By/Par |
|-----|-----------|------|--------|
|     |           |      |        |
|     |           |      |        |
|     |           |      |        |
|     |           |      |        |
|     |           |      |        |



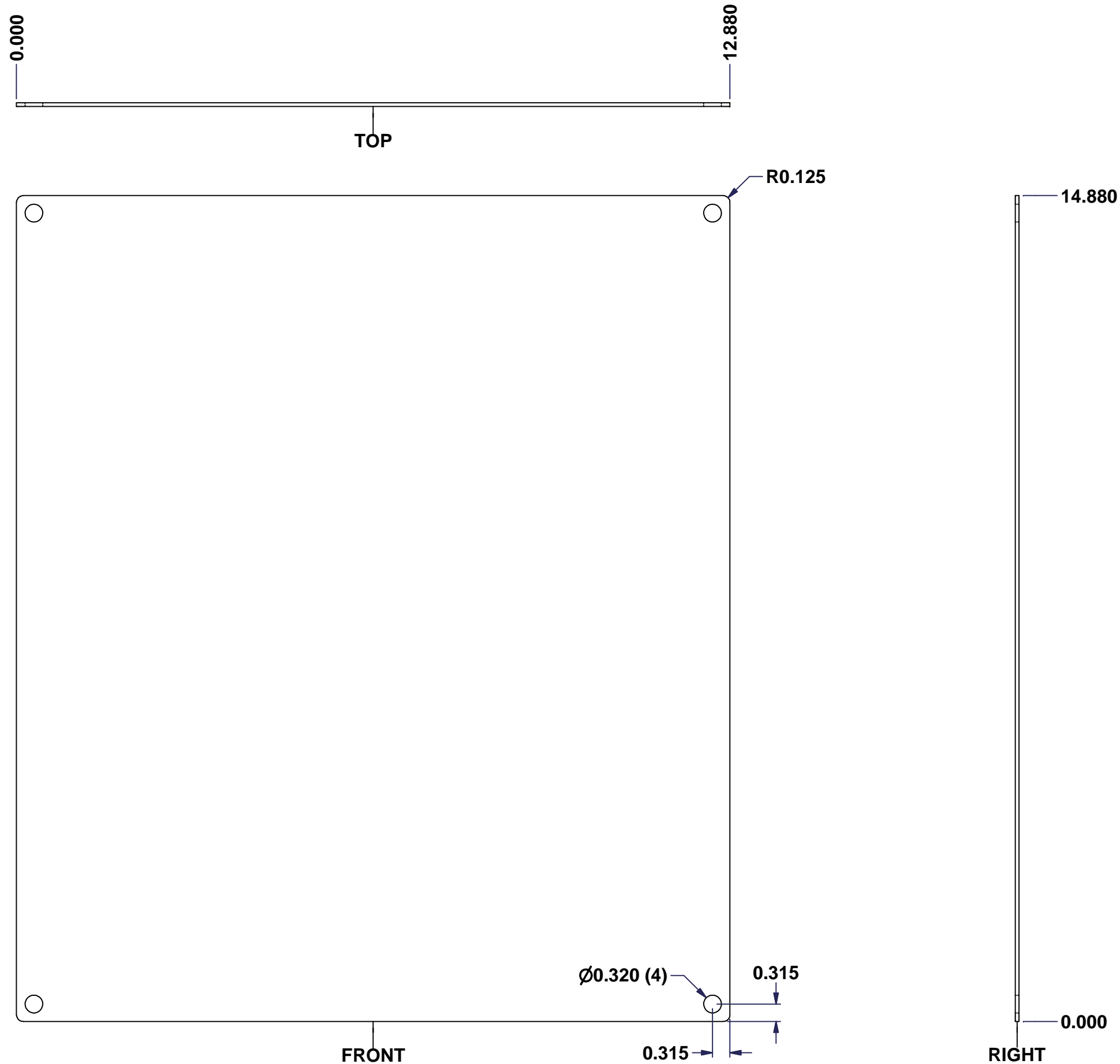
Isometric View

|  |                                   |   |
|--|-----------------------------------|---|
|  Tél: (450) 979-4373<br>Fax: (450) 979-4626<br><a href="http://www.exmweb.com">www.exmweb.com</a> |                                   | Flatness<br>Aplatissement<br> Max 3.0mm<br>Projection<br> |
| Customer<br>Client   | Date                              |   |
| Drawn By<br>Dessiné Par  | BoxCad: BoxCad                    | Date 18-Oct-21  |
| Material<br>Matière  | 16 Ga Stainless Steel 316 (1.4mm) |   |
| Color<br>Couleur   | Asa-61 Grey                       | Finish<br>Fini Smooth   |
| Description  |                                   | Detail Rev.   |
| 5412ESSMP 16" x 14" Cover  |                                   |   |
| Part Number<br>Numéro Pièce  | Rev. 0                            | 3   |
| <b>5412ESSMP1614106C</b>   |                                   | <b>3</b>  |

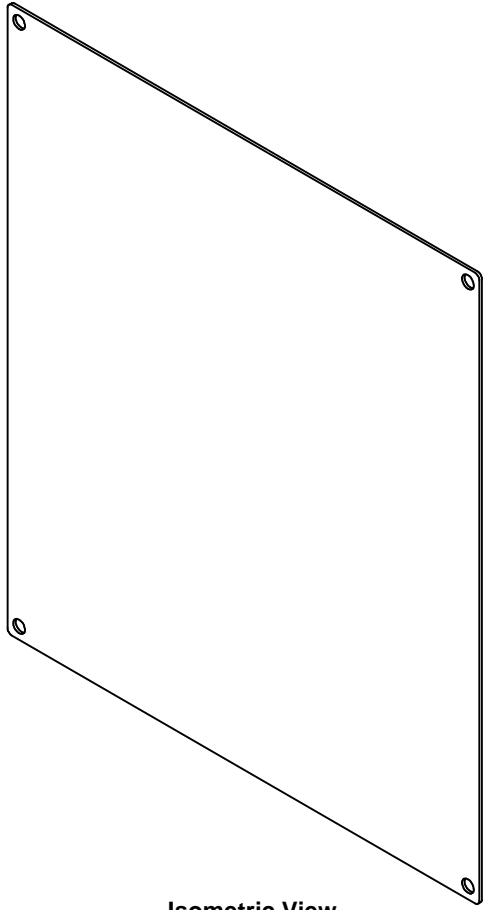
| Qty        | Part Number         | Rev | Description                            |
|------------|---------------------|-----|--|
| 1          | 5412ESSMP1614106G   | 0   | 5412ESSMP 16" x 14" Gasket             |
| 1          | STK-S-00100         | 0   | 3.5" x 2" Silver Milar Flexcon Sticker |
| 1          | STK-Q-08500         | 4   | Stainless Steel Standoff M6 x 10mm     |
| 1          | STK-P-02400S        | 0   | Powder Paint (Asa-61 Grey / Smooth)    |
| 1          | 5412ESSMP1614106C-P | 0   | 5412ESSMP 16" x 14" Cover Part         |
| 2          | STK-A-33038         | 3   | 5412 ESSMCH - Stainless Steel Hinge    |
| 2          | 880 SCQ4-SLSS6      | 7   | 5412 ESS 1/4 Turn Lock                 |
| Parts List |                     |     |  |

This drawing is confidential and must not be reproduced or used without the consent of EXM


Ce dessin est confidentiel et ne doit pas être reproduit ou utilisé sans le consentement de EXM




| No. | Revisions | Date | By/Par |
|-----|-----------|------|--------|
|     |           |      |        |
|     |           |      |        |
|     |           |      |        |
|     |           |      |        |
|     |           |      |        |



**Isometric View**



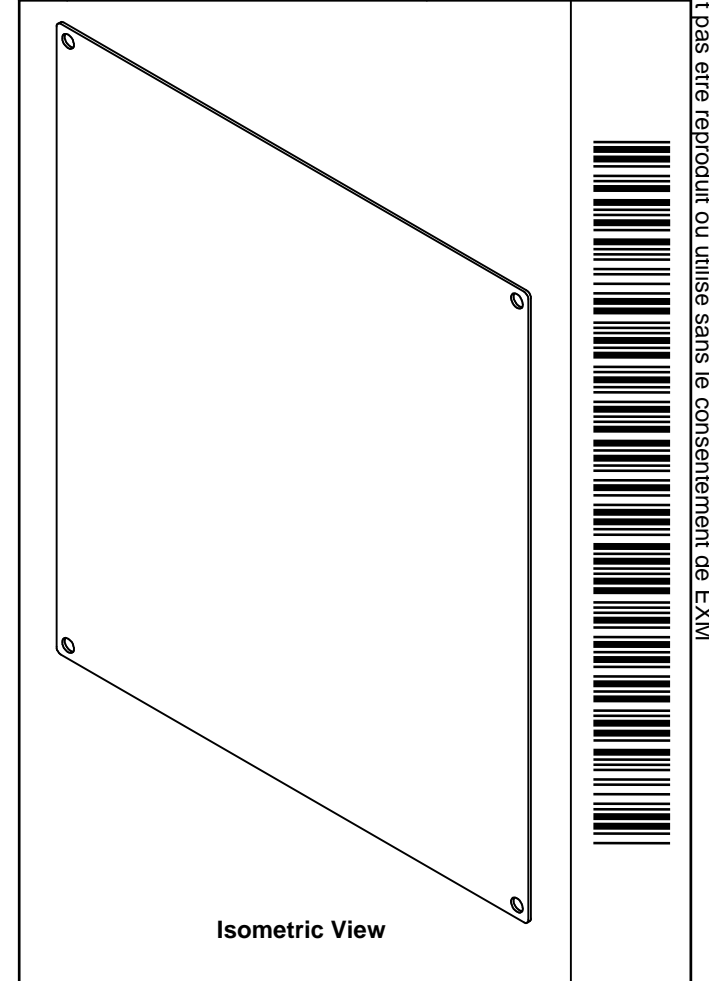
|  |           |                           |            |
|--|-----------|---------------------------|------------|
|  Tél: (450) 979-4373<br>Fax: (450) 979-4626<br>www.exmweb.com |           | Flatness<br>Aplatissement |            |
|  |           | Max 3.0mm                 |            |
| Customer<br>Client   |           | Date                      |            |
| Drawn By<br>Dessiné Par BoxCad   |           | Date 23-Jan-07            |            |
| Material<br>Matière  |           | 14 Ga Galvanized (1.7mm)  |            |
| Color<br>Couleur   | Unpainted | Finish<br>Fini            | Galvanized |
| Description  |           | Detail Rev.               |            |
| 880 SP1614G - Inner Panel  |           |                           |            |
| Part Number<br>Numéro Pièce  |           | Rev.                      | 1          |
| <b>880 SP1614G</b>   |           | <b>0</b>                  | 2          |


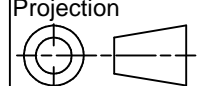
SEE BILL OF MATERIAL ON LAST PAGE

This drawing is confidential and must not be reproduced or used without the consent of EXM

Ce dessin est confidentiel et ne doit pas être reproduit ou utilisé sans le consentement de EXM

| No. | Revisions | Date | By/Par |
|-----|-----------|------|--------|
|     |           |      |        |
|     |           |      |        |
|     |           |      |        |
|     |           |      |        |
|     |           |      |        |



|  |  |   |
|--|--|---|
|  Tél: (450) 979-4373<br>Fax: (450) 979-4626<br>www.exmweb.com |  | Flatness<br>Aplatissement<br>Max 3.0mm  |
| Customer<br>Client   |  | Projection<br> |
| Drawn By<br>Dessiné Par BoxCad   |  | Date 23-Jan-07  |
| Material<br>Matière 14 Ga Galvanized (1.7mm)   |  |   |
| Color<br>Couleur Unpainted   |  | Finish<br>Fini Galvanized   |
| Description<br>880 SP1614G - Inner Panel   |  | Detail Rev.   |
| Part Number<br>Numéro Pièce<br><b>880 SP1614G</b>  |  | Rev. 2<br><b>0</b>  |

| Qty        | Part Number   | Rev | Description                    |
|------------|---------------|-----|--------------------------------|
| 1          | 880 SP1614G-P | 0   | 880 SP1614G - Inner Panel Part |
| Parts List |               |     |                                |