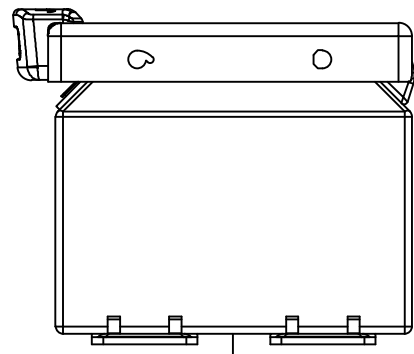
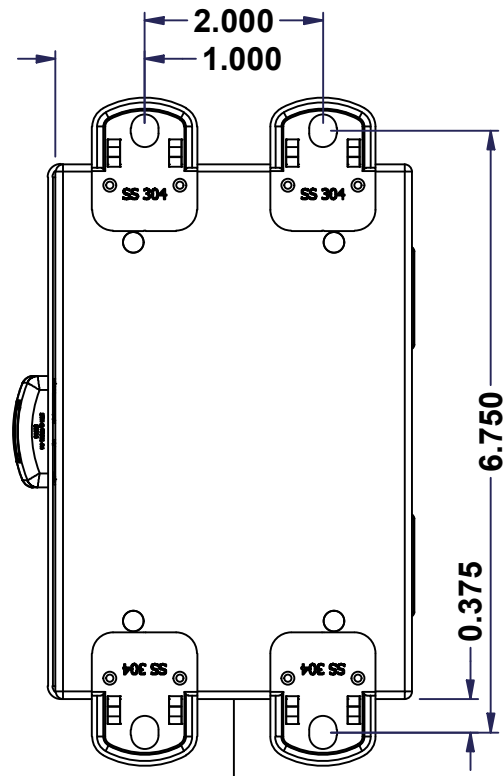


This drawing is confidential and must not be reproduced or used without the consent of EXM

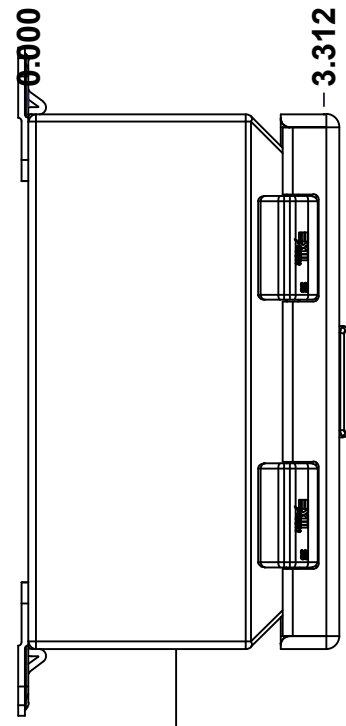
Ce dessin est confidentiel et ne doit pas être reproduit ou utilisé sans le consentement de EXM



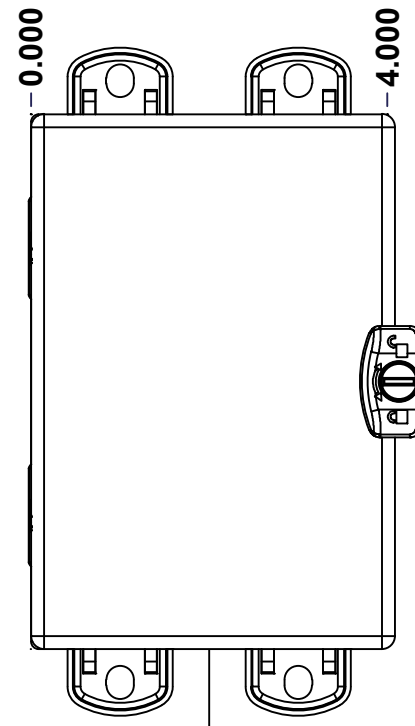
TOP



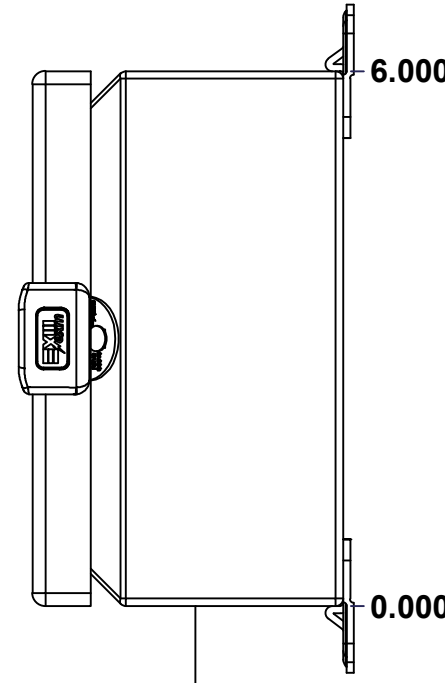
BACK



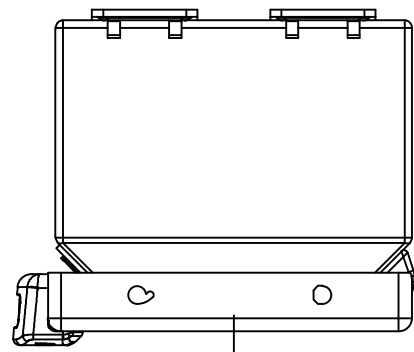
LEFT



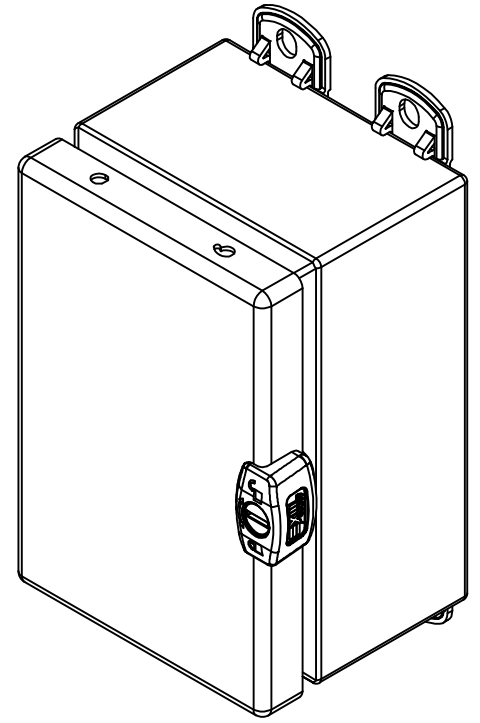
FRONT



RIGHT




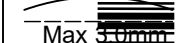
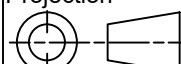
BOTTOM



Isometric View



| No. | Revisions | Date | By/Par |
|-----|-----------|------|--------|
|     |           |      |        |
|     |           |      |        |
|     |           |      |        |
|     |           |      |        |

|  |                                   |   |
|--|-----------------------------------|---|
|  Tél: (450) 979-4373<br>Fax: (450) 979-4626<br><a href="http://www.exmweb.com">www.exmweb.com</a> |                                   | Flatness<br>Aplatissement<br> Max 5.0mm<br>Projection<br> |
| Customer<br>Client   | Date                              |   |
| Drawn By<br>Dessiné Par  | BoxCad: BoxCad                    | Date 10-Mar-23  |
| Material<br>Matière  | 16 Ga Stainless Steel 316 (1.4mm) |   |
| Color<br>Couleur   | Asa-61 Grey                       | Finish<br>Fini Smooth   |
| Description  | Detail Rev.                       |   |
| 5412ESSMPCH 6" x 4" x 3" Assembly  |                                   |   |
| Part Number<br>Numéro Pièce  | Rev. 1                            | 10  |

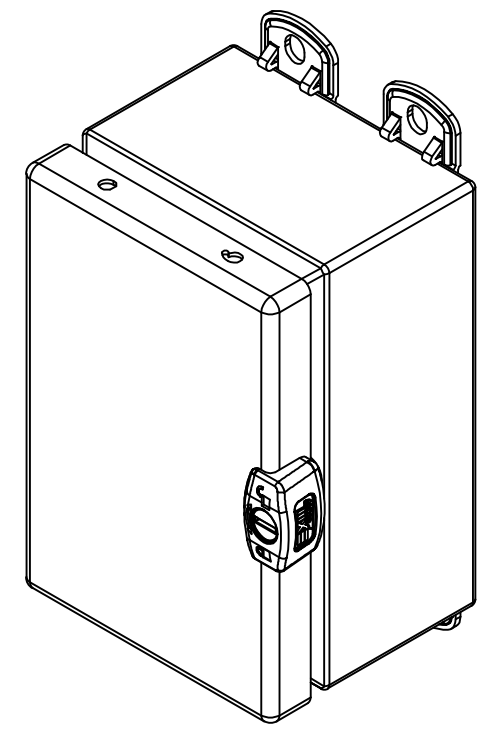
SEE BILL OF MATERIAL ON LAST PAGE 5412ESSMPCH0604036NOIP 0

This drawing is confidential and must not be reproduced or used without the consent of EXM

Ce dessin est confidentiel et ne doit pas être reproduit ou utilisé sans le consentement de EXM

| NOTE |  |
|------|--|
| ITEM | DESCRIPTION                                    |
| 1    | NEMA 4X Enclosure                              |
| 2    | C/W Standard ground standoffs on box and cover |
| 3    | W/O Standard door stiffener                    |
| 4    | W/O Inner panel                                |
| 5    | C/W Standard inner panel mounting standoffs    |
| 6    | C/W 885 ESCHMF2 Mounting Feet (Welded)         |

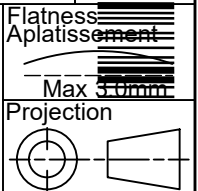
| No. | Revisions | Date | By/Par |
|-----|-----------|------|--------|
|     |           |      |        |
|     |           |      |        |
|     |           |      |        |
|     |           |      |        |
|     |           |      |        |



Isometric View



Tél: (450) 979-4373  
 Fax: (450) 979-4626  
[www.exmweb.com](http://www.exmweb.com)



|  |                 |
|--|-----------------|
| Customer Client                        | Date            |
| Drawn By / Dessiné Par: BoxCad: BoxCad | Date: 10-Mar-23 |

Material / Matière: 16 Ga Stainless Steel 316 (1.4mm)

|                              |                       |
|------------------------------|-----------------------|
| Color / Couleur: Asa-61 Grey | Finish / Fini: Smooth |
|------------------------------|-----------------------|

Description: 5412ESSMPCH 6" x 4" x 3" Assembly

|  |         |
|--|---------|
| Part Number / Numéro Pièce: 5412ESSMPCH0604036NOIP | Rev.: 0 |
|--|---------|

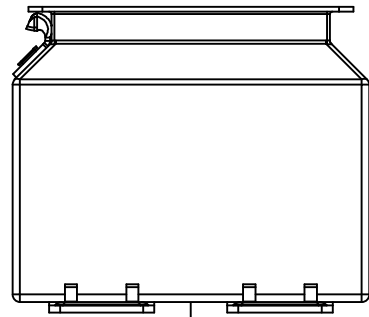
| PACKING         |     |  |
|-----------------|-----|--|
| ITEM            | QTY | DESCRIPTION                                |
| STK-E-04301     | 1   | CARTON 5412 ESCH060403                     |
| Plastic bag     | 1   | To protect cover surface and inside gasket |
| Packaging label | 1   | White label with product number            |
| STK-S-01100     | 1   | ESCH EXM SQUARE STICKER                    |

| Qty | Part Number              | Rev | Description                   |
|-----|--------------------------|-----|-------------------------------|
| 1   | STK-K-02910              | 3   | 5412 ESCH Accessory Kit       |
| 1   | 5412ESSMPCH0604036N OIPC | 0   | 5412ESSMPCH 6" x 4" Cover     |
| 1   | 5412ESSMPCH0604036N OIPB | 0   | 5412ESSMPCH 6" x 4" x 3" Body |
| 2   | STK-Q-08100              | 1   | M5 Nylon Insert Lock Nut      |
| 2   | STK-Q-10249              | 0   | M5 Sealing Washer             |

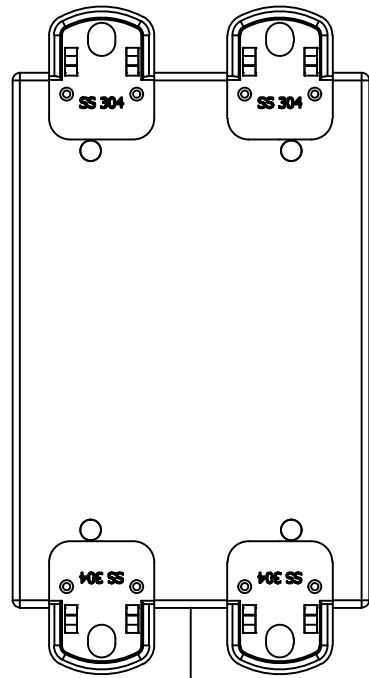
Parts List

This drawing is confidential and must not be reproduced or used without the consent of EXM

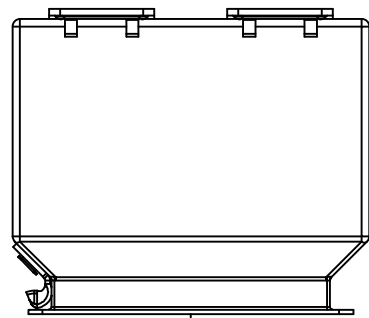
Ce dessin est confidentiel et ne doit pas être reproduit ou utilisé sans le consentement de EXM



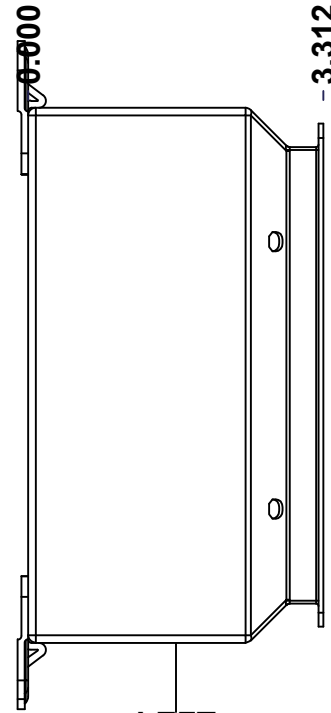
TOP



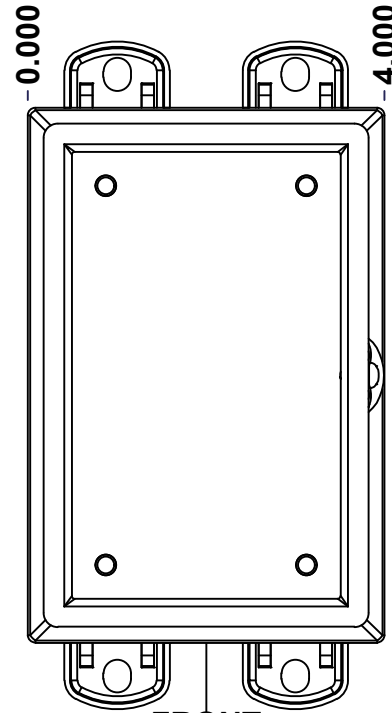
BACK



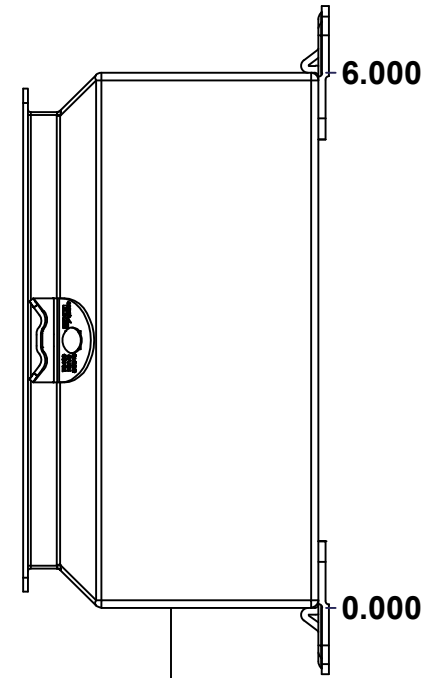
BOTTOM



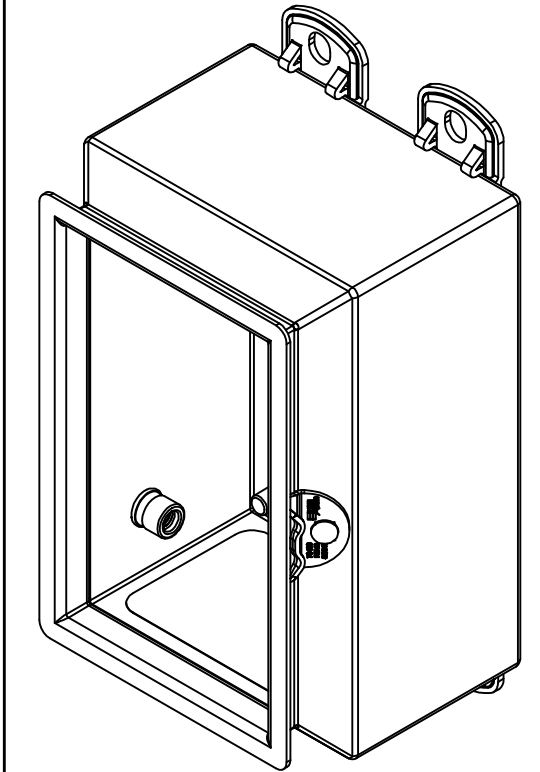
LEFT



FRONT



RIGHT


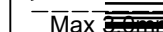
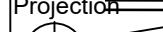
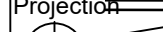


Isometric View



| No. | Revisions | Date | By/Par |
|-----|-----------|------|--------|
|     |           |      |        |
|     |           |      |        |
|     |           |      |        |
|     |           |      |        |

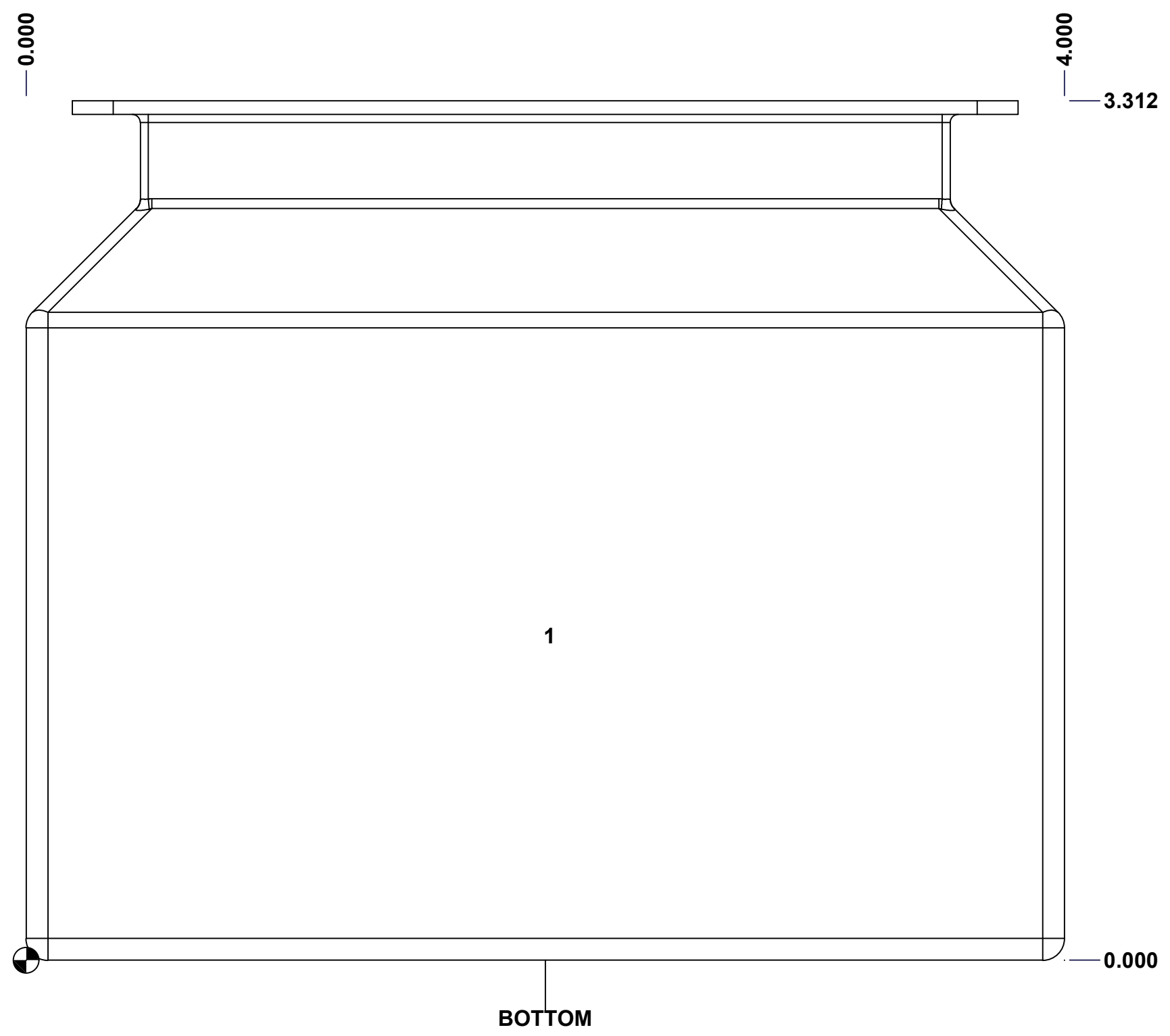
|  |                                   |  |
|--|-----------------------------------|--|
|             |                                   | Flatness<br>Aplatissement<br>Max <br>Projection  |
| Tél: (450) 979-4373<br>Fax: (450) 979-4626<br><a href="http://www.exmweb.com">www.exmweb.com</a> |                                   | Max <br>Projection                               |
| Customer Client  | Date                              |  |
| Drawn By<br>Dessiné Par  | BoxCad: BoxCad                    | Date 10-Mar-23   |
| Material<br>Matière  | 16 Ga Stainless Steel 316 (1.4mm) |  |
| Color<br>Couleur   | Asa-61 Grey                       | Finish<br>Fini Smooth  |
| Description  | Detail Rev.                       |  |
| 5412ESSMPCH 6" x 4" x 3" Body  |                                   |  |
| Part Number<br>Numéro Pièce  | Rev. 3                            | 10   |

SEE BILL OF MATERIAL ON LAST PAGE 5412ESSMPCH0604036NOIPB 0

This drawing is confidential and must not be reproduced or used without the consent of EXM

Ce dessin est confidentiel et ne doit pas être reproduit ou utilisé sans le consentement de EXM

| <b>STANDARD FEATURES ARE NOT LISTED IN THIS HOLE TABLE</b> |       |       |             |
|--|-------|-------|-------------|
| <b>HOLE TABLE - BOTTOM VIEW (CUSTOM FEATURE ONLY)</b>      |       |       |             |
| CUT-OUT  | XDIM  | YDIM  | DESCRIPTION |
| 1  | 2.000 | 1.250 | LABEL_EXM   |

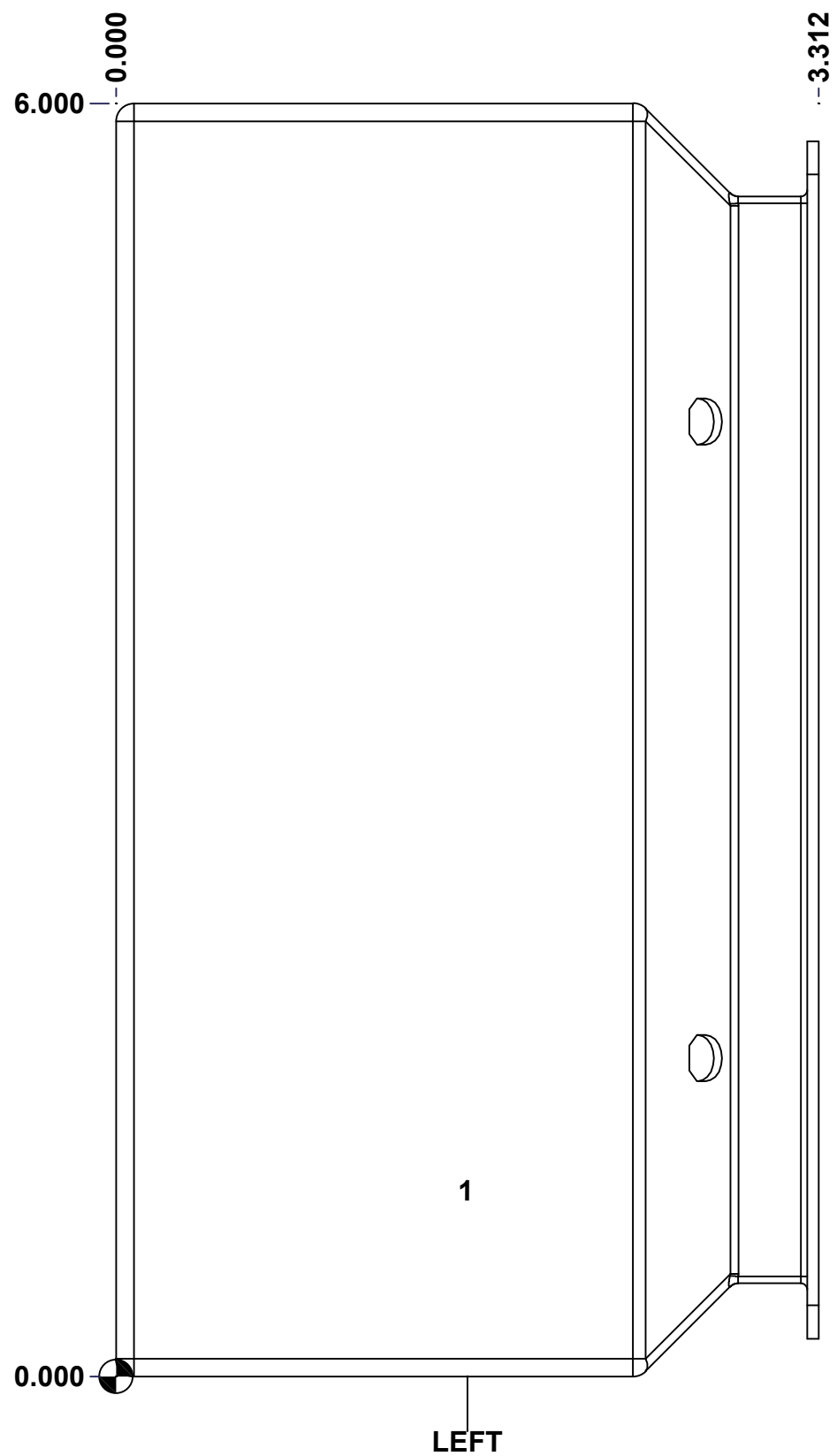


|  |                                  |        |
|--|----------------------------------|--------|
|  | Description                      | Status |
|  | 5412ESSMPCH 6" x 4" x 3" Body    | (NULL) |
|  | Part Number<br>Numéro Pièce      | Rev.   |
|  | <b>5412ESSMPCH0604036NOIPB 0</b> | 4      |
|  |                                  | 10     |

This drawing is confidential and must not be reproduced or used without the consent of EXM

Ce dessin est confidentiel et ne doit pas être reproduit ou utilisé sans le consentement de EXM

| <b>STANDARD FEATURES ARE NOT LISTED IN THIS HOLE TABLE</b> |       |       |                             |
|--|-------|-------|-----------------------------|
| <b>HOLE TABLE - LEFT VIEW (CUSTOM FEATURE ONLY)</b>        |       |       |                             |
| CUT-OUT  | XDIM  | YDIM  | DESCRIPTION                 |
| 1  | 1.625 | 0.875 | STANDOFF M6 x 10mm (Inside) |



|  |                                  |        |
|--|----------------------------------|--------|
|  | Description                      | Status |
|  | 5412ESSMPCH 6" x 4" x 3" Body    | (NULL) |
|  | Part Number<br>Numéro Pièce      | Rev.   |
|  | <b>5412ESSMPCH0604036NOIPB 0</b> | 5      |
|  |                                  | 10     |

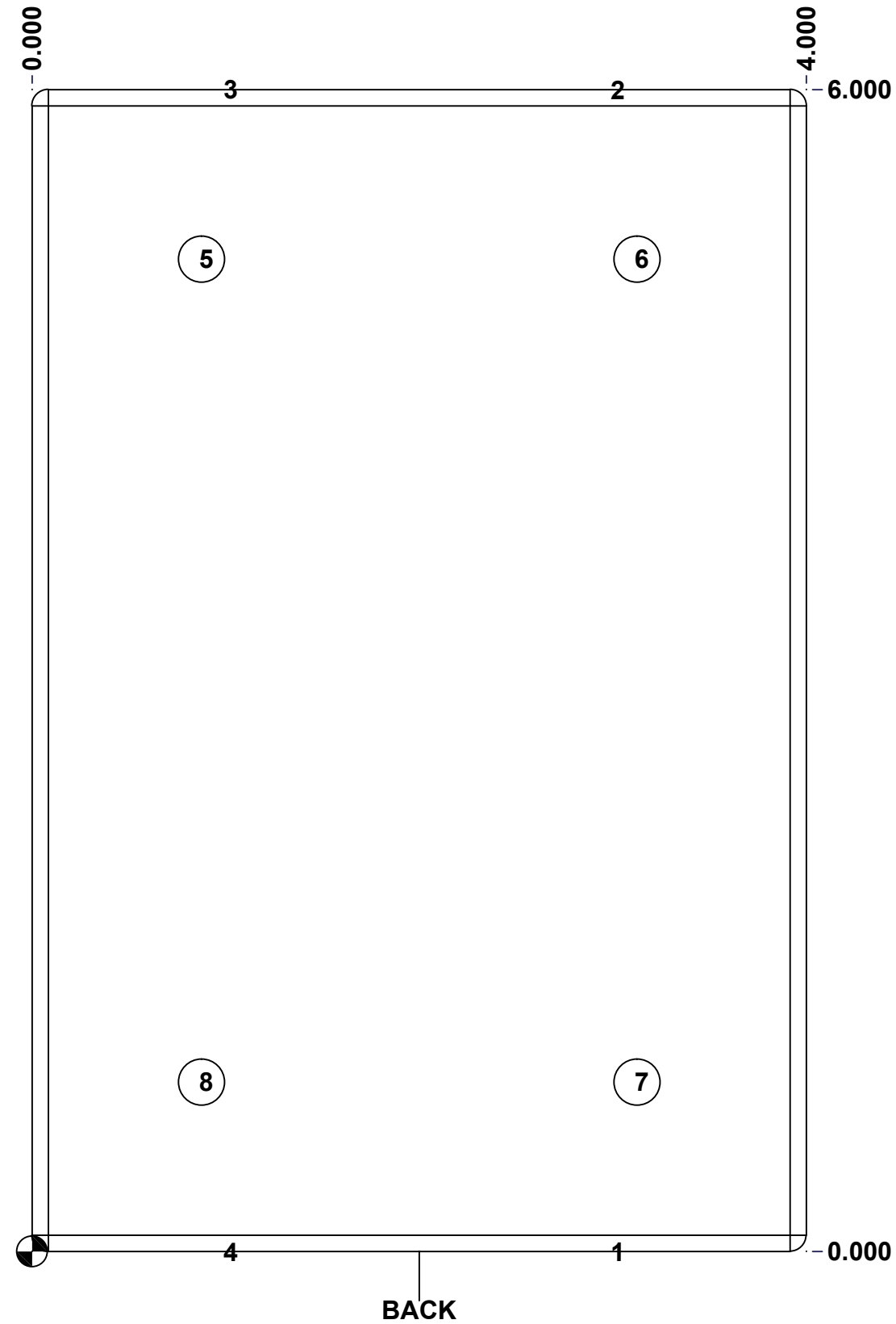
This drawing is confidential and must not be reproduced or used without the consent of EXM

Ce dessin est confidentiel et ne doit pas être reproduit ou utilisé sans le consentement de EXM

**STANDARD FEATURES ARE NOT LISTED IN THIS HOLE TABLE**

**HOLE TABLE - BACK VIEW (CUSTOM FEATURE ONLY)**

| CUT-OUT | XDIM  | YDIM  | DESCRIPTION            |
|---------|-------|-------|------------------------|
| 1       | 3.000 | 0.000 | FOOT 885 ESCHMF2       |
| 2       | 3.000 | 6.000 | FOOT 885 ESCHMF2       |
| 3       | 1.000 | 6.000 | FOOT 885 ESCHMF2       |
| 4       | 1.000 | 0.000 | FOOT 885 ESCHMF2       |
| 5       | 0.875 | 5.125 | PEM FHS-M6-20 (Inside) |
| 6       | 3.125 | 5.125 | PEM FHS-M6-20 (Inside) |
| 7       | 3.125 | 0.875 | PEM FHS-M6-20 (Inside) |
| 8       | 0.875 | 0.875 | PEM FHS-M6-20 (Inside) |

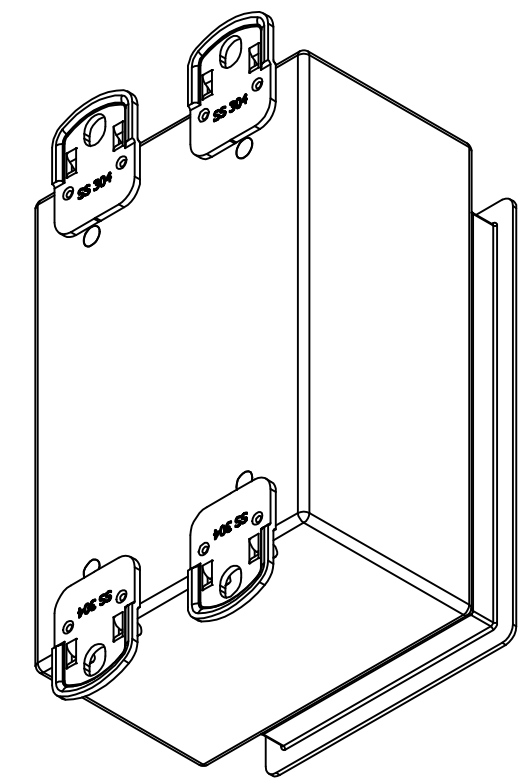


|  |                                  |        |
|--|----------------------------------|--------|
|  | Description                      | Status |
|  | 5412ESSMPCH 6" x 4" x 3" Body    | (NULL) |
|  | Part Number<br>Numéro Pièce      | Rev.   |
|  | <b>5412ESSMPCH0604036NOIPB 0</b> | 6      |
|  |                                  | 10     |

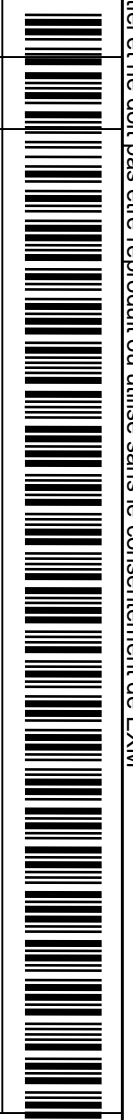
This drawing is confidential and must not be reproduced or used without the consent of EXM

Ce dessin est confidentiel et ne doit pas être reproduit ou utilisé sans le consentement de EXM

| No. | Revisions | Date | By/Par |
|-----|-----------|------|--------|
|     |           |      |        |
|     |           |      |        |
|     |           |      |        |
|     |           |      |        |
|     |           |      |        |



Isometric View



Tél: (450) 979-4373  
 Fax: (450) 979-4626  
[www.exmweb.com](http://www.exmweb.com)

Flatness  
Aplatissement

Max 0.00mm

Projection

|                         |                |
|-------------------------|----------------|
| Customer Client         | Date           |
| Drawn By<br>Dessiné Par | Date 10-Mar-23 |

Material Matière: 16 Ga Stainless Steel 316 (1.4mm)

Color Couleur: Asa-61 Grey      Finish Fini: Smooth

Description: 5412ESSMPCH 6" x 4" x 3" Body      Detail Rev.

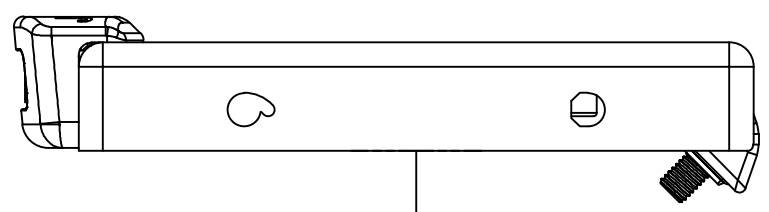
Part Number Numéro Pièce: **5412ESSMPCH0604036NOIPB 0**      Rev. 7

| Qty | Part Number                | Rev | Description   |
|-----|----------------------------|-----|---|
| 4   | STK-PEM-FHS-M6-20          | 0   | SS PEM Self-Clinching Stud M6 x 20.0mm                |
| 1   | STK-Q-08100                | 1   | M5 Nylon Insert Lock Nut                              |
| 4   | STK-Q-71316                | 4   | 5412 ESSMCH Stainless Steel Mounting Foot             |
| 1   | STK-A-70469                | 6   | 5412 ESSMCH - Stainless Steel 316 Body Catch Assembly |
| 1   | STK-Q-08500                | 4   | Stainless Steel Standoff M6 x 10mm                    |
| 1   | 5412ESSMPCH0604036N OIPB-P | 0   | 5412ESSMPCH 6" x 4" x 3" Body Part                    |
| 1   | STK-S-00100                | 0   | 3.5" x 2" Silver Milar Flexcon Sticker                |
| 1   | STK-P-02400S               | 0   | Powder Paint (Asa-61 Grey / Smooth)                   |
|     |                            |     |   |

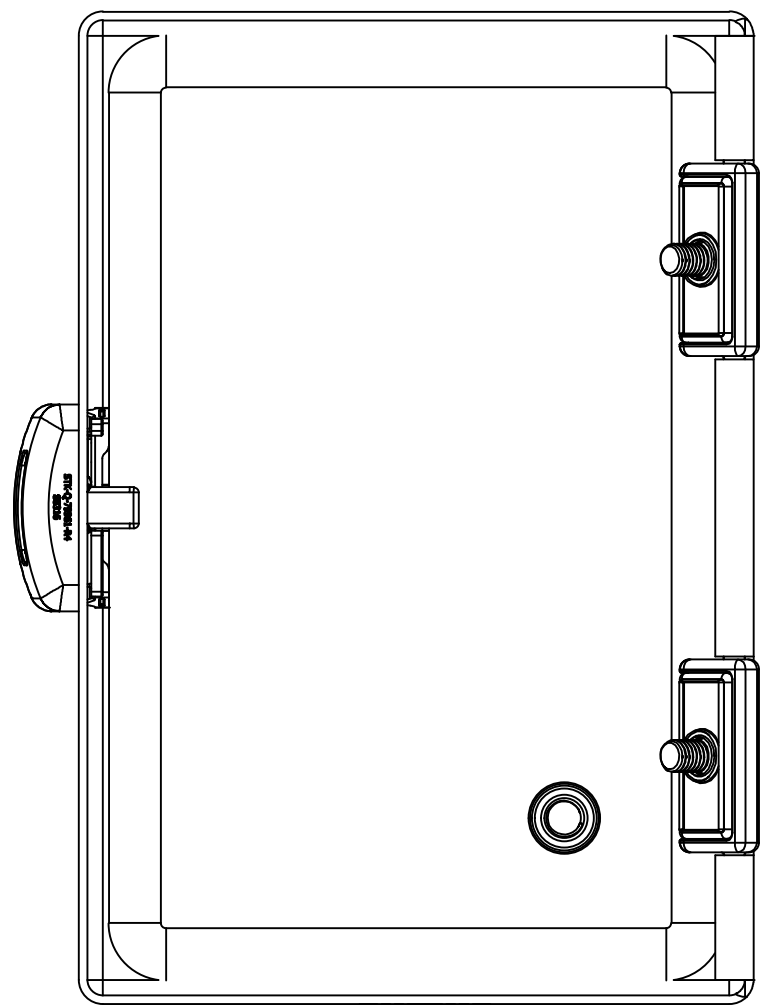
Parts List

This drawing is confidential and must not be reproduced or used without the consent of EXM

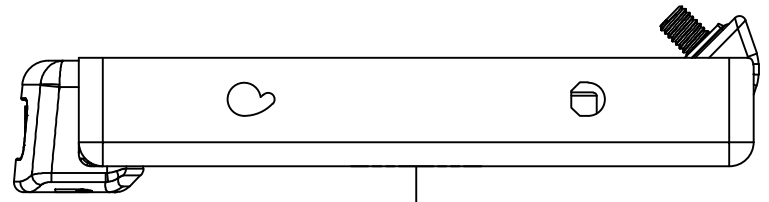
Ce dessin est confidentiel et ne doit pas être reproduit ou utilisé sans le consentement de EXM



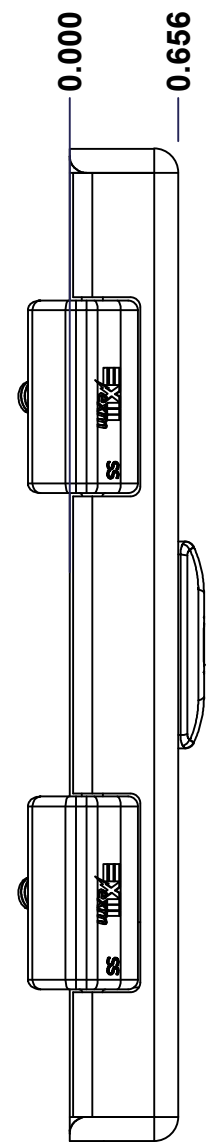
TOP



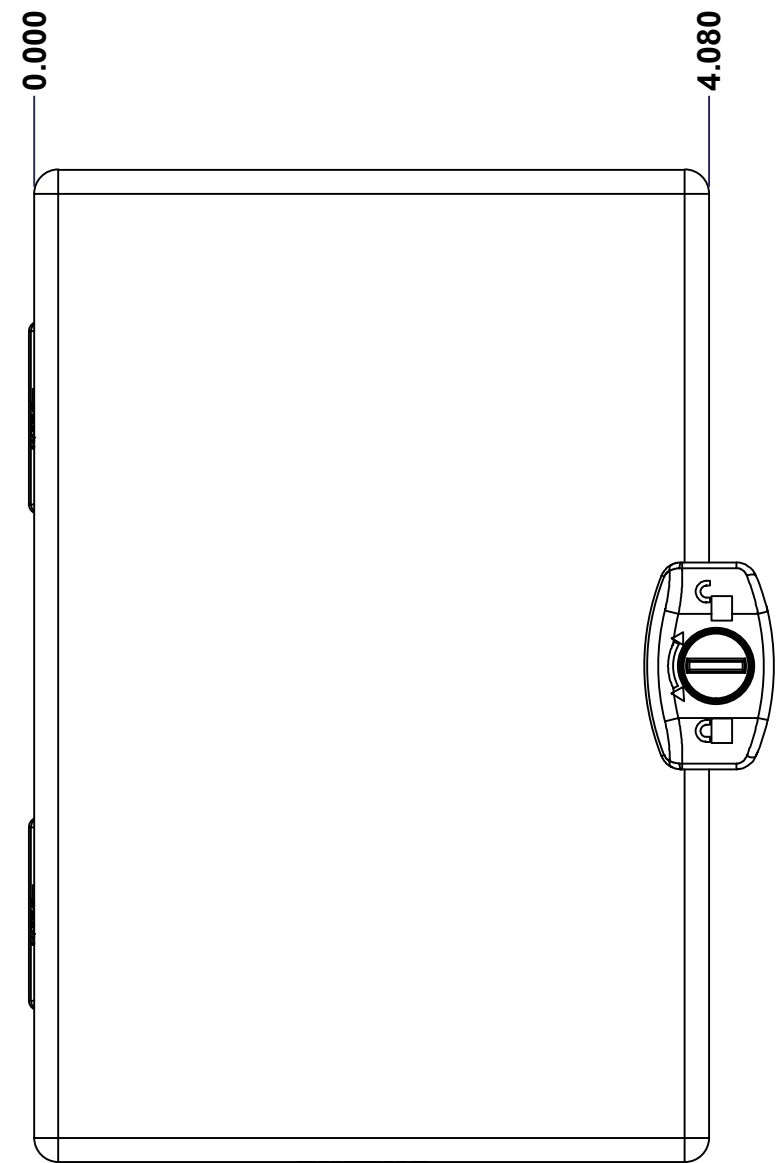
BACK



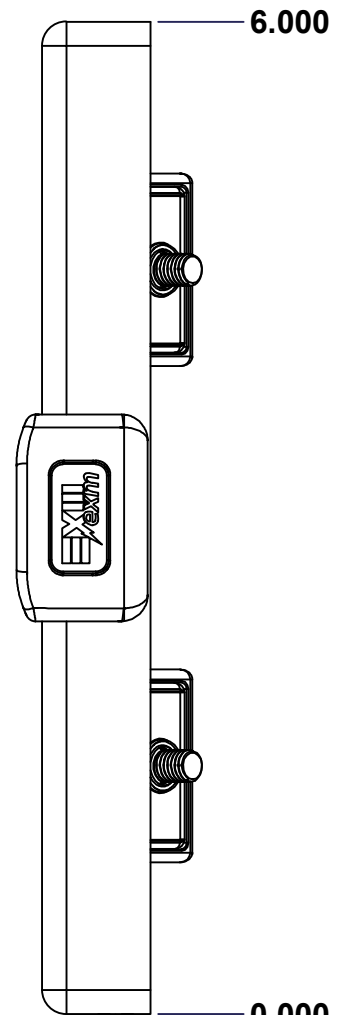
BOTTOM



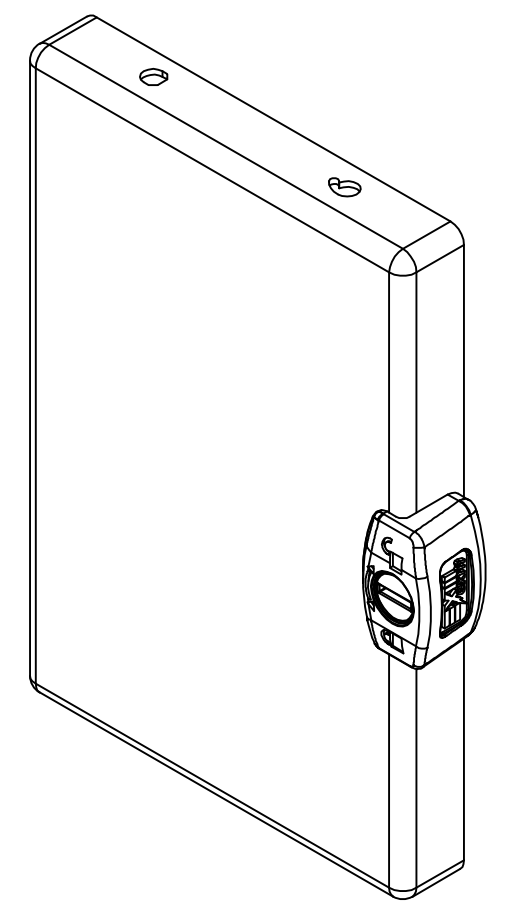
LEFT



FRONT

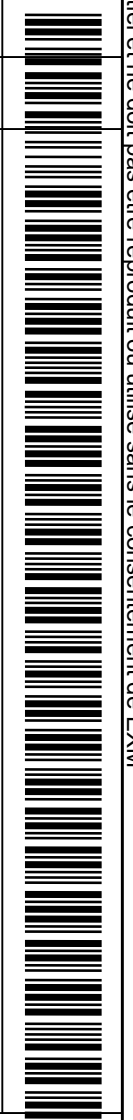



RIGHT

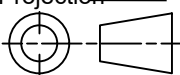


Isometric View

| No. | Revisions | Date | By/Par |
|-----|-----------|------|--------|
|     |           |      |        |
|     |           |      |        |
|     |           |      |        |
|     |           |      |        |




 Tél: (450) 979-4373  
 Fax: (450) 979-4626  
[www.exmweb.com](http://www.exmweb.com)

Flatness / Aplatissement: Max 0.005  
 Projection: 

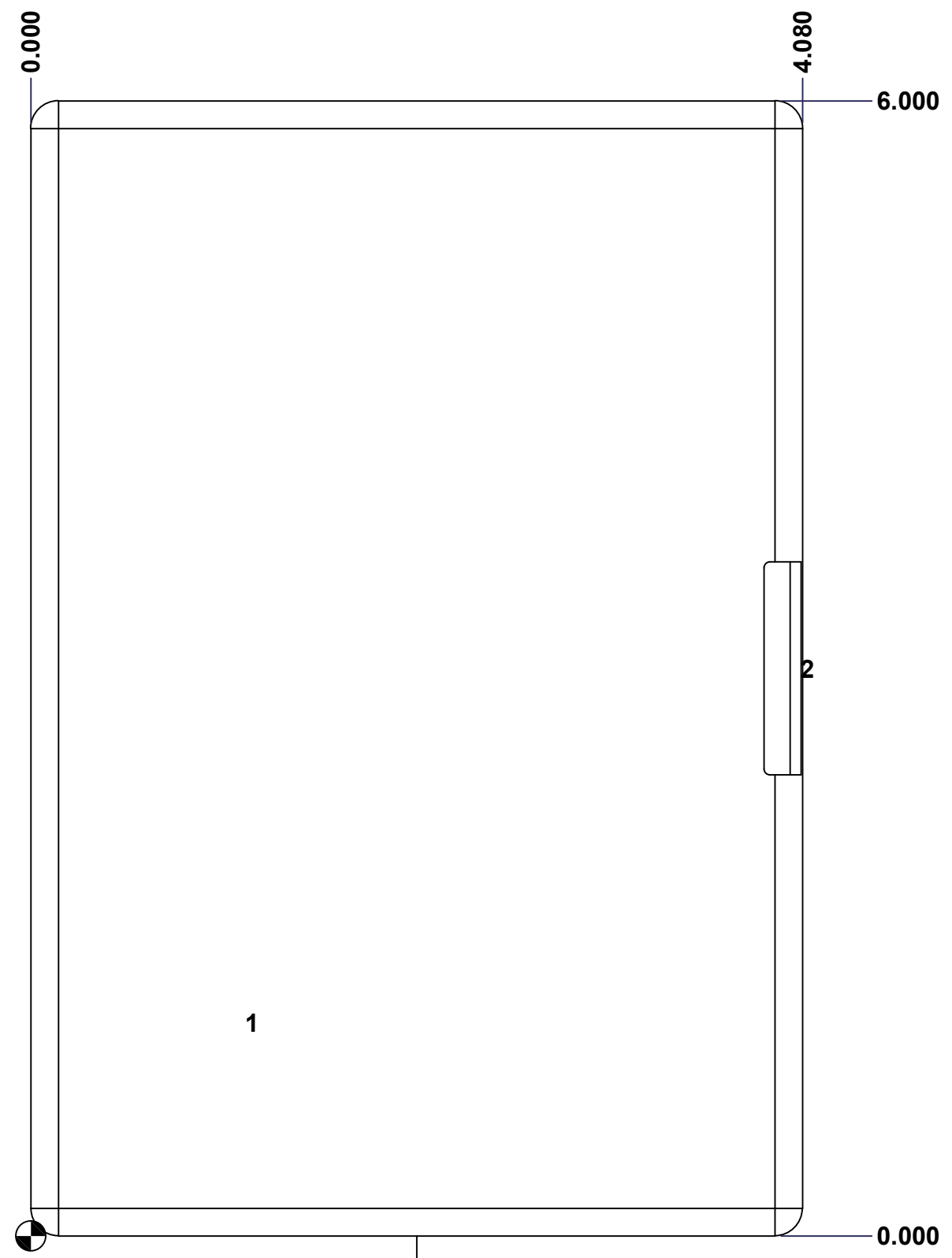
|   |                       |
|---|-----------------------|
| Customer Client                                       | Date                  |
| Drawn By / Dessiné Par: BoxCad: BoxCad                | Date: 10-Mar-23       |
| Material / Matière: 16 Ga Stainless Steel 316 (1.4mm) |                       |
| Color / Couleur: Asa-61 Grey                          | Finish / Fini: Smooth |
| Description: 5412ESSMPCH 6" x 4" Cover                | Detail Rev.           |
| Part Number / Numéro Pièce                            | Rev. 8                |



This drawing is confidential and must not be reproduced or used without the consent of EXM

Ce dessin est confidentiel et ne doit pas être reproduit ou utilisé sans le consentement de EXM

| STANDARD FEATURES ARE NOT LISTED IN THIS HOLE TABLE |       |       |                             |
|---|-------|-------|-----------------------------|
| HOLE TABLE - FRONT VIEW (CUSTOM FEATURE ONLY)       |       |       |                             |
| CUT-OUT   | XDIM  | YDIM  | DESCRIPTION                 |
| 1   | 1.145 | 1.125 | STANDOFF M6 x 10mm (Inside) |
| 2   | 4.080 | 3.000 | LOCK 880 SCQ3MS @ 0.0°      |



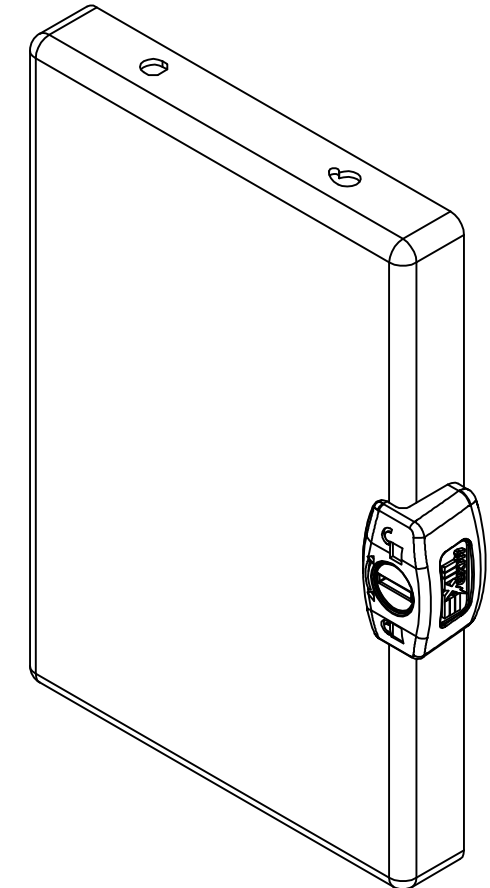
FRONT

|  |                                  |        |
|--|----------------------------------|--------|
|  | Description                      | Status |
|  | 5412ESSMPCH 6" x 4" Cover        | (NULL) |
|  | Part Number                      | Rev.   |
|  | Numéro Pièce                     | 9      |
|  | <b>5412ESSMPCH0604036NOIPC 0</b> | 10     |

This drawing is confidential and must not be reproduced or used without the consent of EXM

Ce dessin est confidentiel et ne doit pas être reproduit ou utilisé sans le consentement de EXM

| No. | Revisions | Date | By/Par |
|-----|-----------|------|--------|
|     |           |      |        |
|     |           |      |        |
|     |           |      |        |
|     |           |      |        |
|     |           |      |        |



Isometric View



Tél: (450) 979-4373  
 Fax: (450) 979-4626  
[www.exmweb.com](http://www.exmweb.com)

Flatness  
Aplatissement  
Max  $\frac{0.001}{100}$   
 Projection

|                                      |                 |
|--------------------------------------|-----------------|
| Customer Client                      | Date            |
| Drawn By Dessiné Par: BoxCad: BoxCad | Date: 10-Mar-23 |

Material Matière: 16 Ga Stainless Steel 316 (1.4mm)

|                            |                     |
|----------------------------|---------------------|
| Color Couleur: Asa-61 Grey | Finish Fini: Smooth |
|----------------------------|---------------------|

Description: 5412ESSMPCH 6" x 4" Cover  
 Detail Rev.

|   |         |
|---|---------|
| Part Number Numéro Pièce: 5412ESSMPCH0604036NOIPC 0 | Rev. 10 |
|---|---------|

| Qty | Part Number                | Rev | Description  |
|-----|----------------------------|-----|--|
| 1   | 5412ESSMPCH0604036N OIPG   | 0   | 5412ESSMPCH 6" x 4" Gasket                                   |
| 1   | 880SCQ3S                   | 4   | 5412 ESSMCH - Stainless Steel External Lock Assy - Slot Lock |
| 1   | STK-Q-08500                | 4   | Stainless Steel Standoff M6 x 10mm                           |
| 1   | STK-P-02400S               | 0   | Powder Paint (Asa-61 Grey / Smooth)                          |
| 1   | 5412ESSMPCH0604036N OIPC-P | 0   | 5412ESSMPCH 6" x 4" Cover Part                               |
| 2   | STK-A-33038                | 3   | 5412 ESSMCH - Stainless Steel Hinge                          |

Parts List