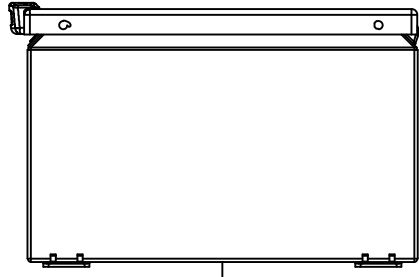
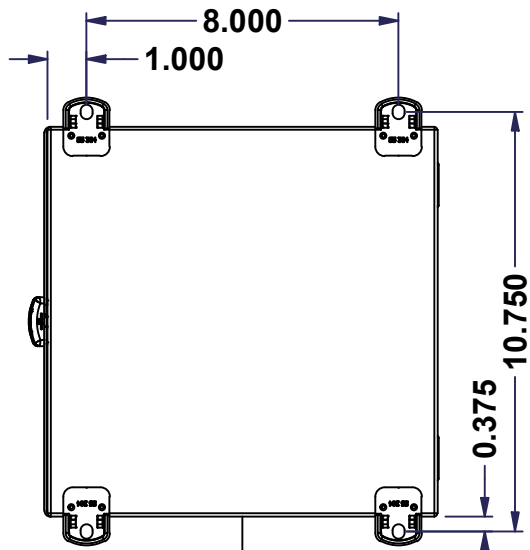


This drawing is confidential and must not be reproduced or used without the consent of EXM

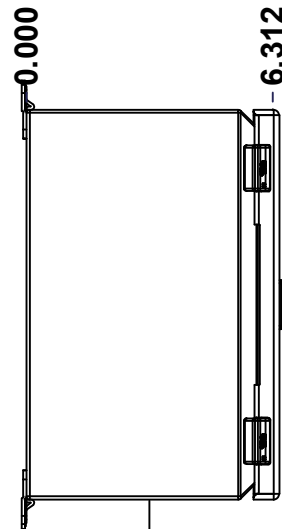
Ce dessin est confidentiel et ne doit pas être reproduit ou utilisé sans le consentement de EXM



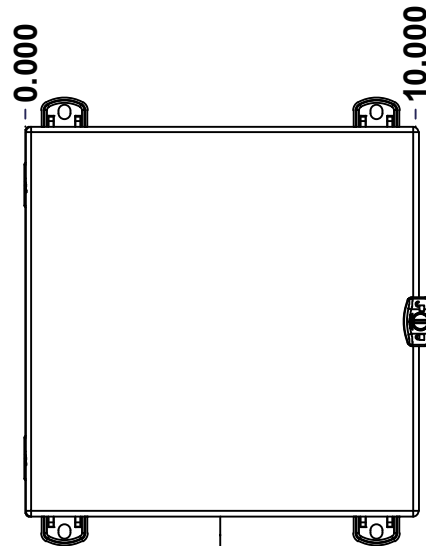
TOP



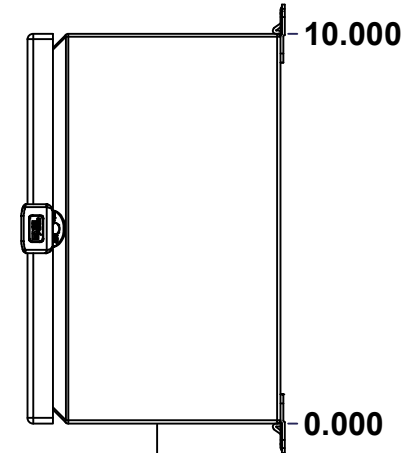
BACK



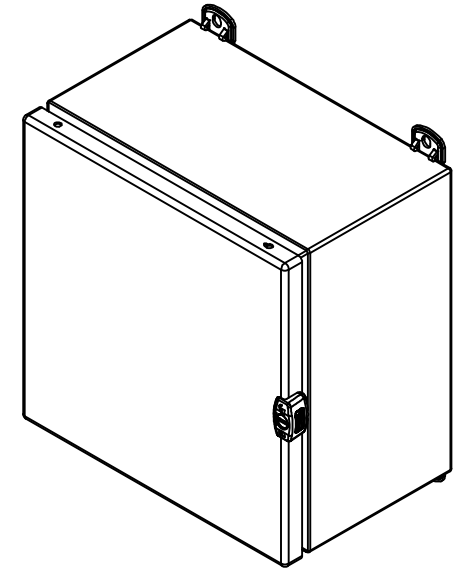
LEFT



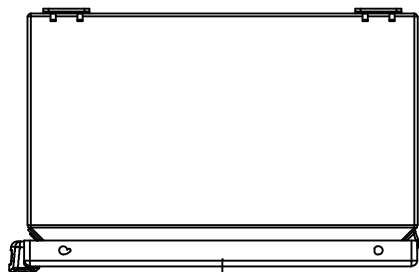
FRONT



RIGHT



Isometric View



BOTTOM

| No. | Revisions | Date | By/Par |
|-----|-----------|------|--------|
| | | | |
| | | | |
| | | | |
| | | | |



| | | |
|-----------------------------|--|--|
| | Tél: (450) 979-4373 Fax: (450) 979-4626 www.exmweb.com | Flatness Aplatissement Max 3.0mm |
| | | Projection |
| Customer Client | | Date |
| Drawn By Dessiné Par | BoxCad: BoxCad | Date 13-Mar-23 |
| Material Matière | 16 Ga Stainless Steel 316 (1.4mm) | |
| Color Couleur | Asa-61 Grey | Finish Fini Smooth |
| Description | 5412ESSMPCH 10" x 10" x 6" Assembly | |
| Part Number Numéro Pièce | 5412ESSMPCH1010066 | Detail Rev. |
| | Rev. 0 | 1/9 |

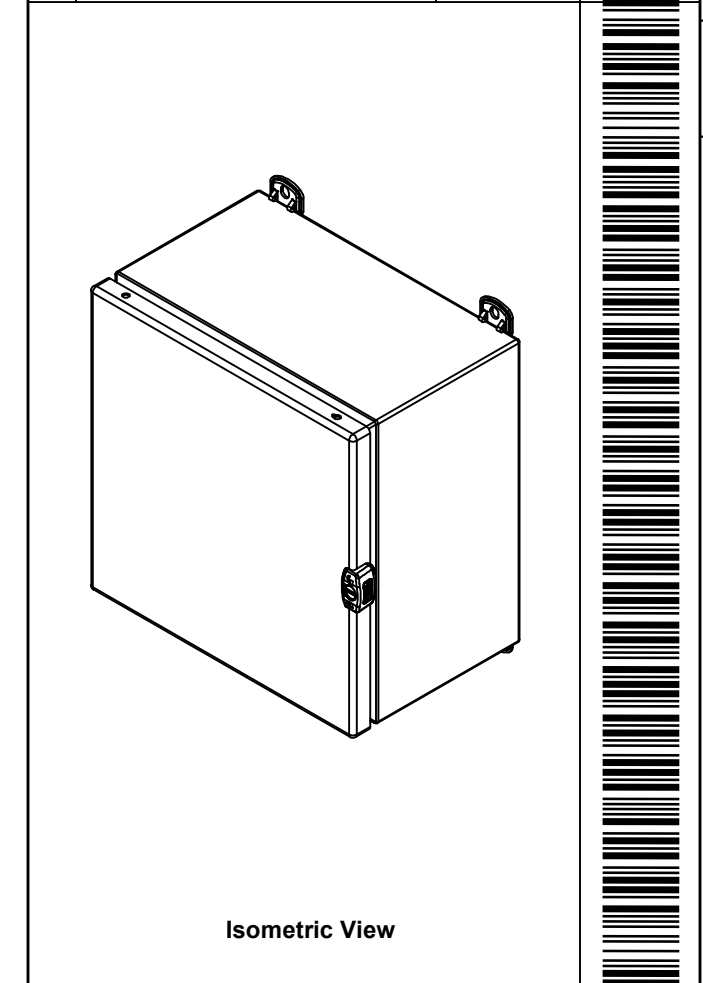
SEE BILL OF MATERIAL ON LAST PAGE

This drawing is confidential and must not be reproduced or used without the consent of EXM

Ce dessin est confidentiel et ne doit pas être reproduit ou utilisé sans le consentement de EXM

| NOTE | |
|------|--|
| ITEM | DESCRIPTION |
| 1 | NEMA 4X Enclosure |
| 2 | C/W Standard ground standoffs on box and cover |
| 3 | W/O Standard door stiffener |
| 4 | C/W Standard inner panel (Included) |
| 5 | C/W Standard inner panel mounting standoffs |
| 6 | C/W 885 ESCHMF2 Mounting Feet (Welded) |

| No. | Revisions | Date | By/Par |
|-----|-----------|------|--------|
| | | | |
| | | | |
| | | | |
| | | | |
| | | | |
| | | | |



| | | |
|--|--|--|
| | Tél: (450) 979-4373 Fax: (450) 979-4626 www.exmweb.com | Flatness Aplatissement Max 3.0mm Projection |
| | Customer Client | Date |
| Drawn By Dessiné Par | BoxCad: BoxCad | Date 13-Mar-23 |
| Material Matière | 16 Ga Stainless Steel 316 (1.4mm) | |
| Color Couleur | Asa-61 Grey | Finish Fini Smooth |
| Description 5412ESSMPCH 10" x 10" x 6" Assembly | | Detail Rev. |
| Part Number Numéro Pièce 5412ESSMPCH1010066 | | Rev. 2 0 |

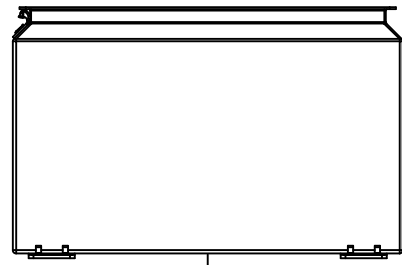
| PACKING | | |
|-----------------|-----|--|
| ITEM | QTY | DESCRIPTION |
| STK-E-04313 | 1 | CARTON 5412 ESCH101006 |
| Plastic bag | 1 | To protect cover surface and inside gasket |
| Packaging label | 1 | White label with product number |
| STK-S-01100 | 1 | ESCH EXM SQUARE STICKER |

| Qty | Part Number | Rev | Description |
|-----|---------------------|-----|---------------------------------|
| 1 | 5412ESSMPCH1010066C | 0 | 5412ESSMPCH 10" x 10" Cover |
| 1 | 880 SP1010G | 0 | 880 SP1010G - Inner Panel |
| 1 | STK-K-02910 | 3 | 5412 ESCH Accessory Kit |
| 1 | 5412ESSMPCH1010066B | 0 | 5412ESSMPCH 10" x 10" x 6" Body |
| 2 | STK-Q-08100 | 1 | M5 Nylon Insert Lock Nut |
| 2 | STK-Q-10249 | 0 | M5 Sealing Washer |

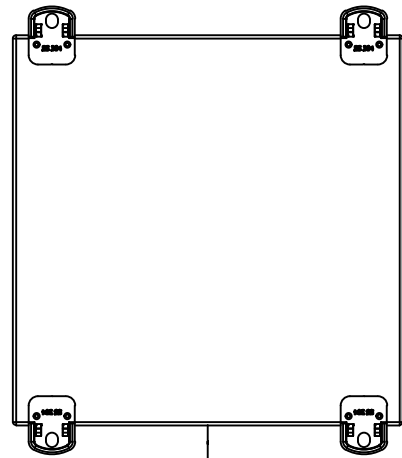
Parts List

This drawing is confidential and must not be reproduced or used without the consent of EXM

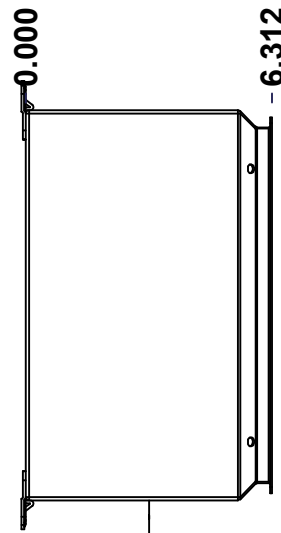
Ce dessin est confidentiel et ne doit pas être reproduit ou utilisé sans le consentement de EXM



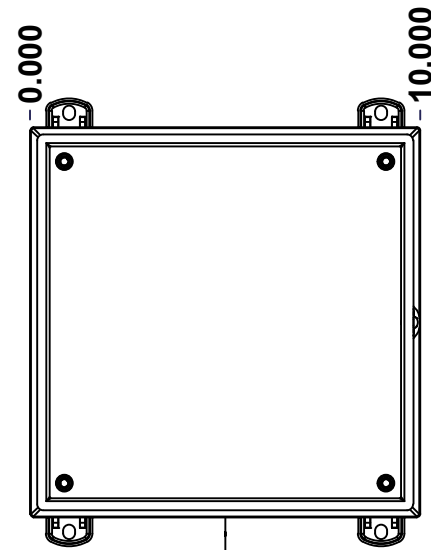
TOP



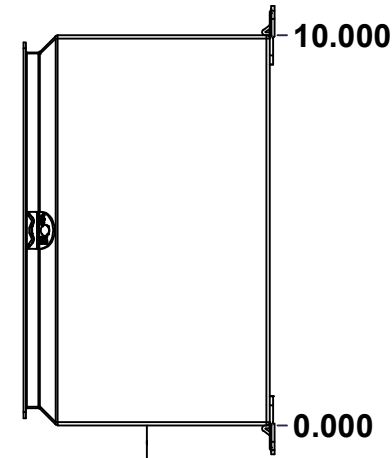
BACK



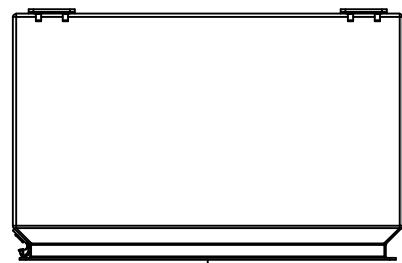
LEFT



FRONT

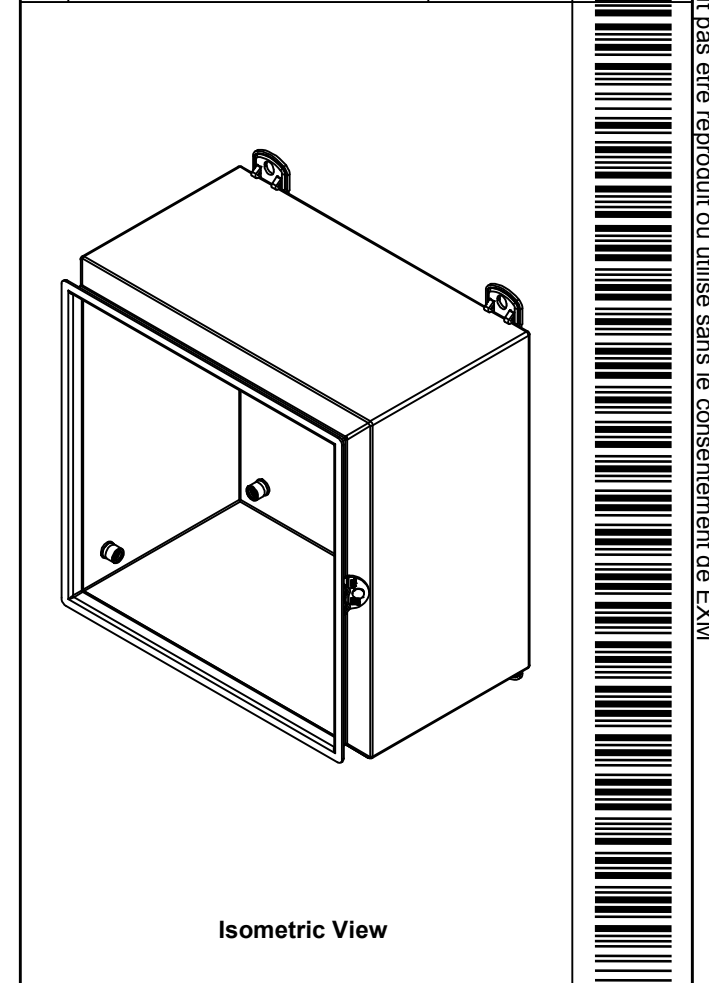


RIGHT




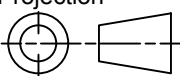
BOTTOM

| No. | Revisions | Date | By/Par |
|-----|-----------|------|--------|
| | | | |
| | | | |
| | | | |
| | | | |



Isometric View



| | | |
|--|-----------------------------------|---|
|  Tél: (450) 979-4373 Fax: (450) 979-4626 www.exmweb.com | | Flatness Aplatissement Max 3.0mm Projection  |
| Customer Client | Date | |
| Drawn By Dessiné Par | BoxCad: BoxCad | Date 13-Mar-23 |
| Material Matière | 16 Ga Stainless Steel 316 (1.4mm) | |
| Color Couleur | Asa-61 Grey | Finish Fini Smooth |
| Description | Detail Rev. | |
| 5412ESSMPCH 10" x 10" x 6" Body | | |
| Part Number Numéro Pièce | Rev. | 3 |
| 5412ESSMPCH1010066B | 0 | 9 |

SEE BILL OF MATERIAL ON LAST PAGE

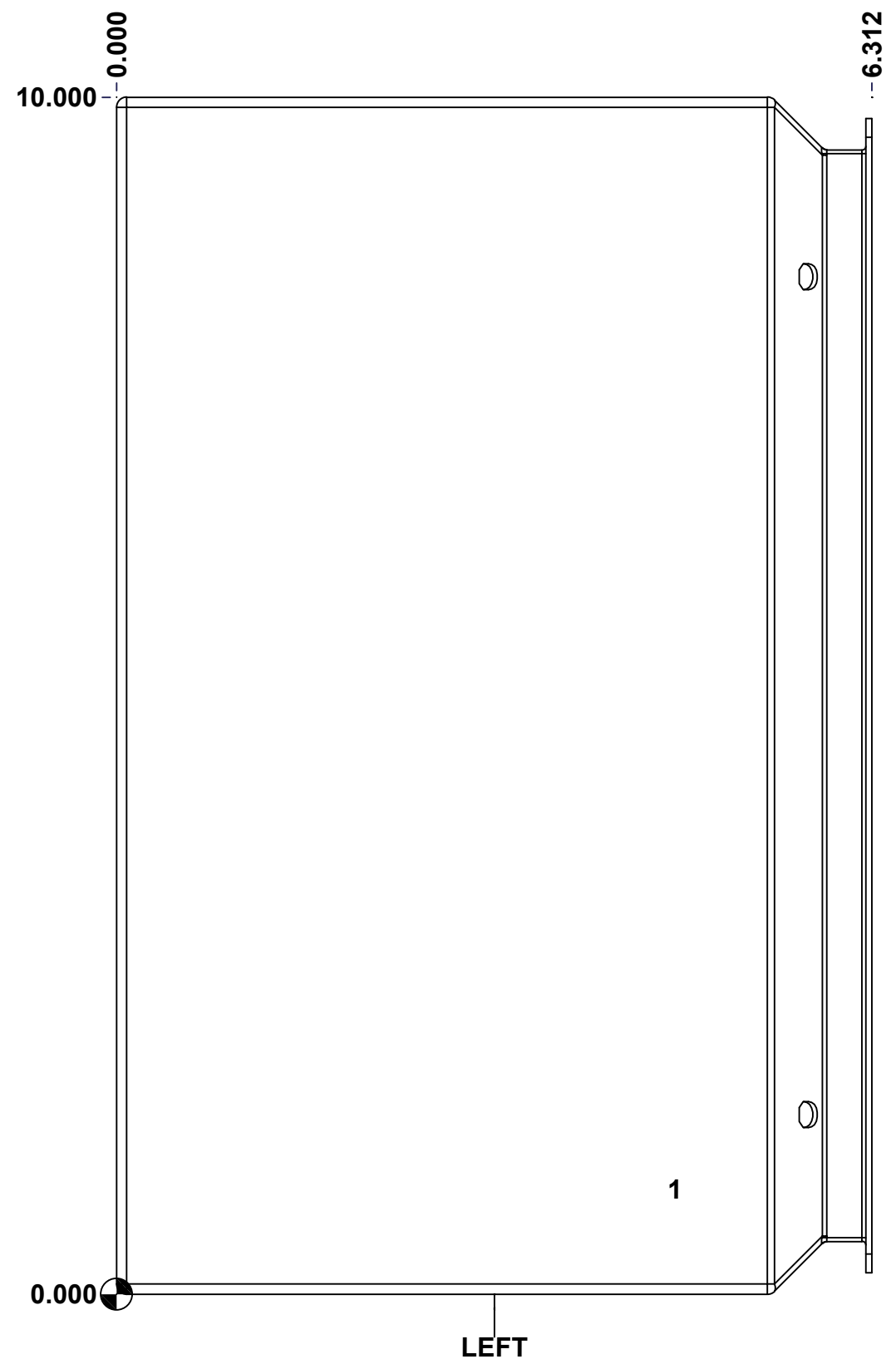
This drawing is confidential and must not be reproduced or used without the consent of EXM

Ce dessin est confidentiel et ne doit pas être reproduit ou utilisé sans le consentement de EXM

STANDARD FEATURES ARE NOT LISTED IN THIS HOLE TABLE

HOLE TABLE - LEFT VIEW (CUSTOM FEATURE ONLY)

| CUT-OUT | XDIM | YDIM | DESCRIPTION |
|---------|-------|-------|-----------------------------|
| 1 | 4.625 | 0.875 | STANDOFF M6 x 10mm (Inside) |



| | | |
|---|---------------------------------|--------|
| | Description | Status |
| | 5412ESSMPCH 10" x 10" x 6" Body | (NULL) |
| Part Number Numéro Pièce 5412ESSMPCH1010066B | Rev. | 4 |
| | 0 | 9 |

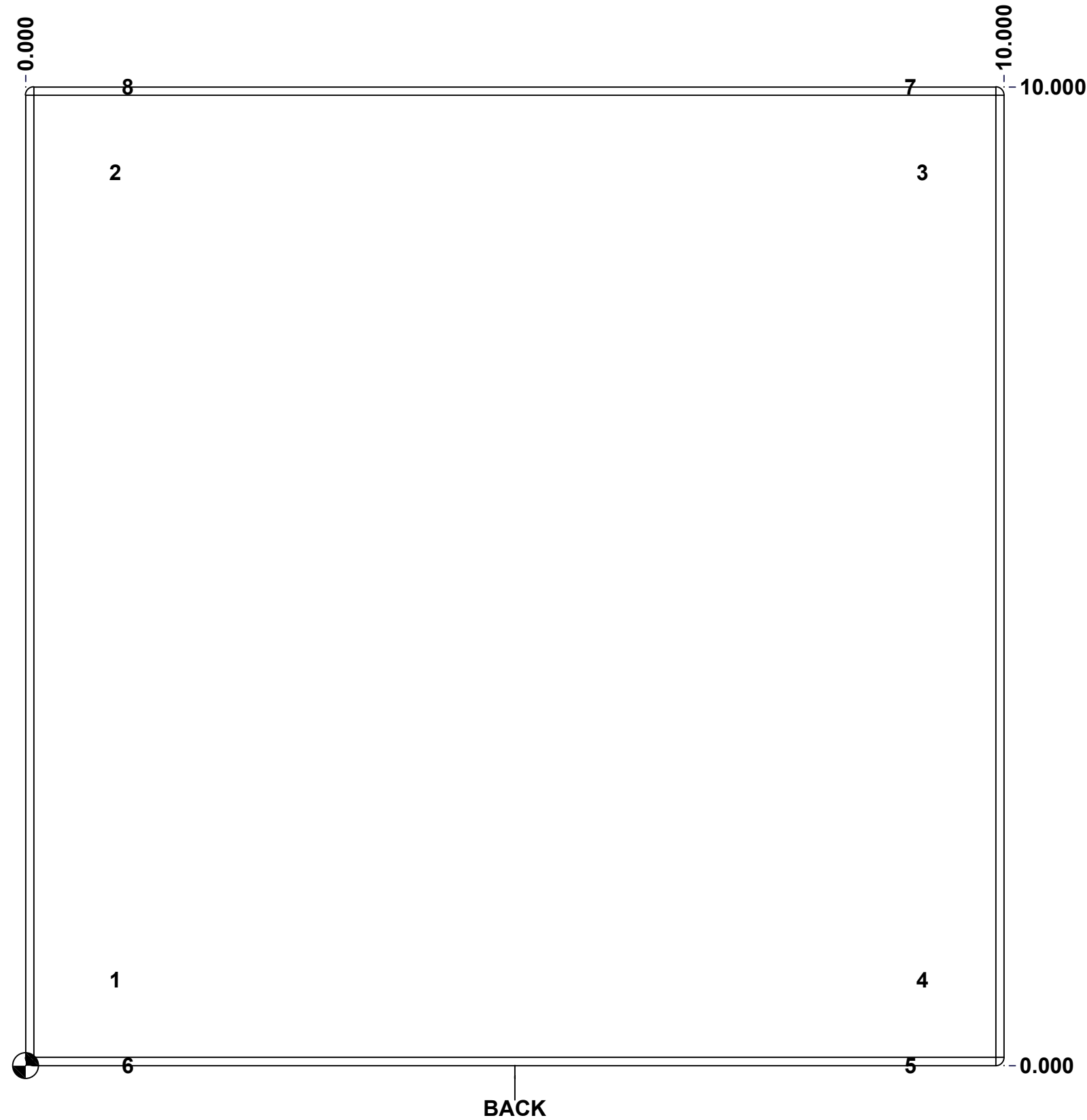
This drawing is confidential and must not be reproduced or used without the consent of EXM

Ce dessin est confidentiel et ne doit pas être reproduit ou utilisé sans le consentement de EXM

STANDARD FEATURES ARE NOT LISTED IN THIS HOLE TABLE

HOLE TABLE - BACK VIEW (CUSTOM FEATURE ONLY)

| CUT-OUT | XDIM | YDIM | DESCRIPTION |
|---------|-------|--------|--------------------------------|
| 1 | 0.875 | 0.875 | IP STANDOFF M6 x 10mm (Inside) |
| 2 | 0.875 | 9.125 | IP STANDOFF M6 x 10mm (Inside) |
| 3 | 9.125 | 9.125 | IP STANDOFF M6 x 10mm (Inside) |
| 4 | 9.125 | 0.875 | IP STANDOFF M6 x 10mm (Inside) |
| ----- | | | |
| 5 | 9.000 | 0.000 | FOOT 885 ESCHMF2 |
| 6 | 1.000 | 0.000 | FOOT 885 ESCHMF2 |
| 7 | 9.000 | 10.000 | FOOT 885 ESCHMF2 |
| 8 | 1.000 | 10.000 | FOOT 885 ESCHMF2 |

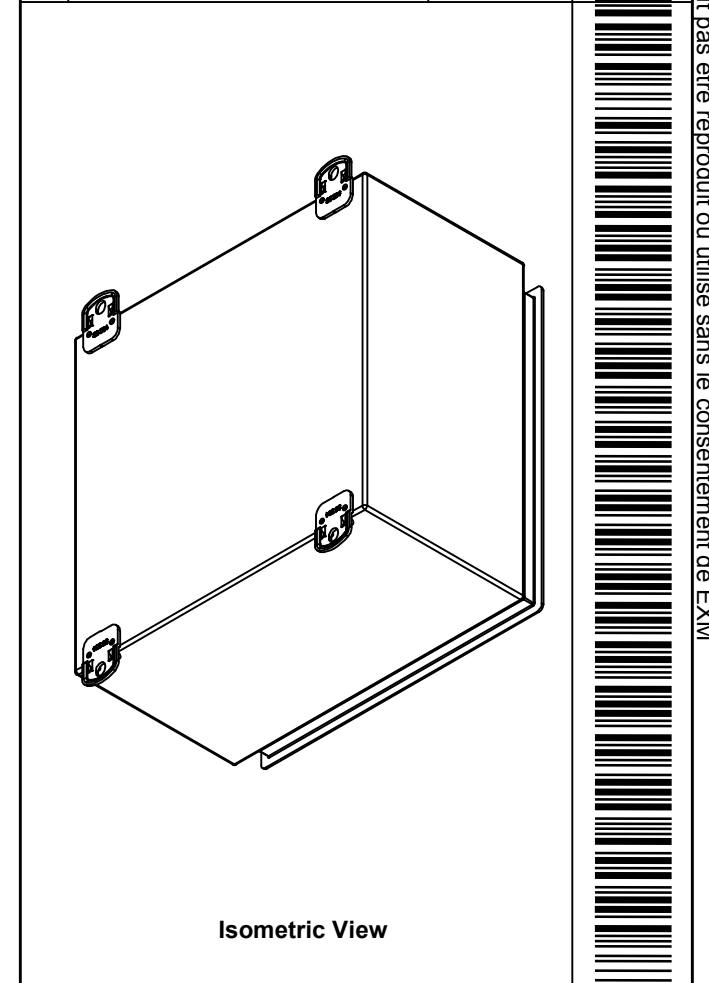



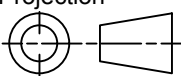
| | | |
|--|---------------------------------|------------------|
| | Description | Status |
| | 5412ESSMPCH 10" x 10" x 6" Body | (NULL) |
| | Part Number Numéro Pièce | Rev. |
| | 5412ESSMPCH1010066B | 0 / 5 / 9 |

This drawing is confidential and must not be reproduced or used without the consent of EXM

Ce dessin est confidentiel et ne doit pas être reproduit ou utilisé sans le consentement de EXM

| No. | Revisions | Date | By/Par |
|-----|-----------|------|--------|
| | | | |
| | | | |
| | | | |
| | | | |
| | | | |

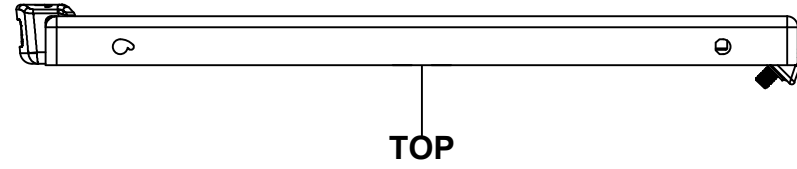


| | | |
|--|------------------------------|---|
|  Tél: (450) 979-4373 Fax: (450) 979-4626 www.exmweb.com | | Flatness Aplatissement Max 3.0mm Projection  |
| Customer Client | Date | |
| Drawn By / Dessiné Par: BoxCad: BoxCad | Date: 13-Mar-23 | |
| Material / Matière: 16 Ga Stainless Steel 316 (1.4mm) | Color / Couleur: Asa-61 Grey | Finish / Fini: Smooth |
| Description: 5412ESSMPCH 10" x 10" x 6" Body | | Detail Rev. |
| Part Number / Numéro Pièce: 5412ESSMPCH1010066B | Rev.: | 6 |
| | | 9 |

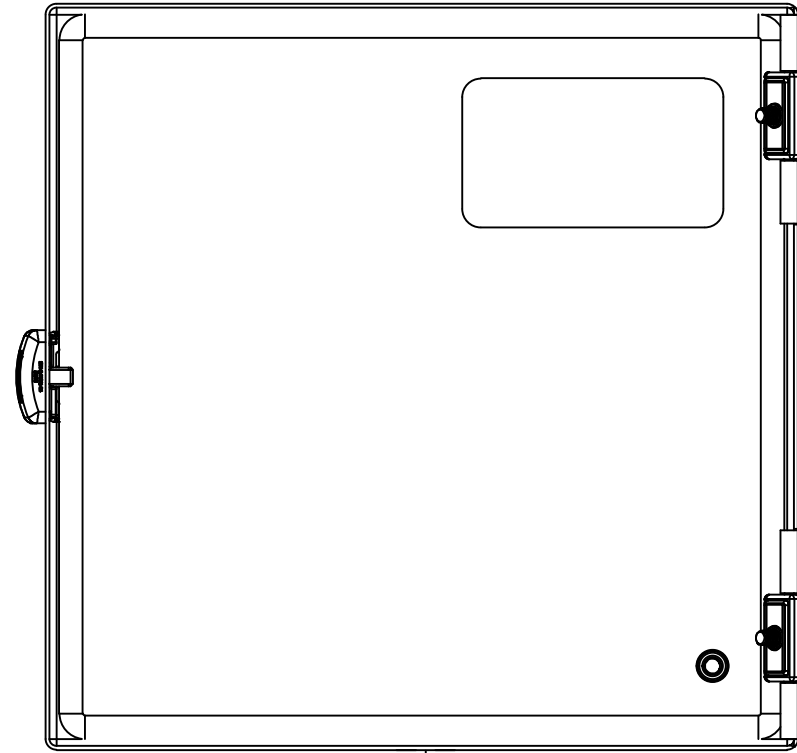
| Qty | Part Number | Rev | Description |
|------------|-----------------------|-----|---|
| 1 | STK-Q-08100 | 1 | M5 Nylon Insert Lock Nut |
| 4 | STK-Q-71316 | 4 | 5412 ESSMCH Stainless Steel Mounting Foot |
| 1 | STK-A-70469 | 6 | 5412 ESSMCH - Stainless Steel 316 Body Catch Assembly |
| 1 | STK-P-02400S | 0 | Powder Paint (Asa-61 Grey / Smooth) |
| 1 | 5412ESSMPCH1010066B-P | 0 | 5412ESSMPCH 10" x 10" x 6" Body Part |
| 5 | STK-Q-08500 | 4 | Stainless Steel Standoff M6 x 10mm |
| Parts List | | | |

This drawing is confidential and must not be reproduced or used without the consent of EXM

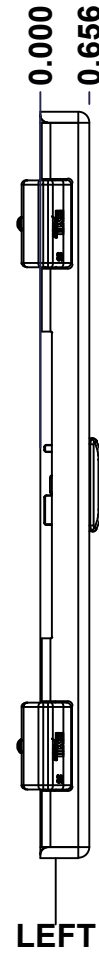
Ce dessin est confidentiel et ne doit pas être reproduit ou utilisé sans le consentement de EXM



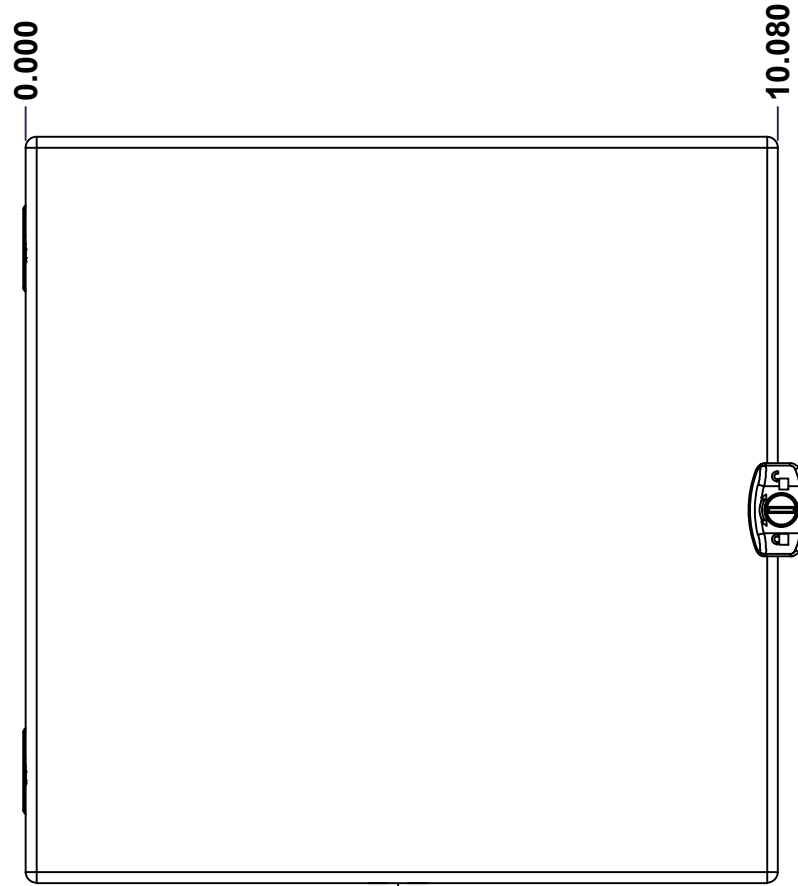
TOP



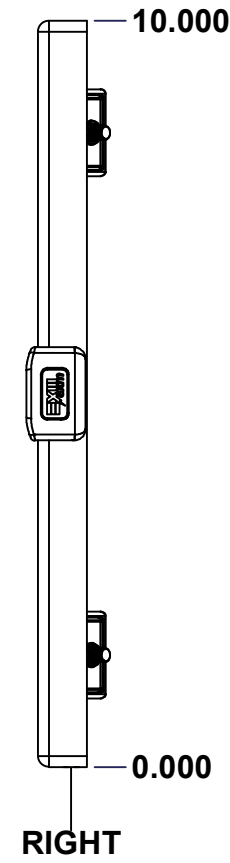
BACK



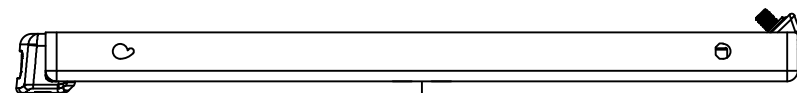
LEFT



FRONT

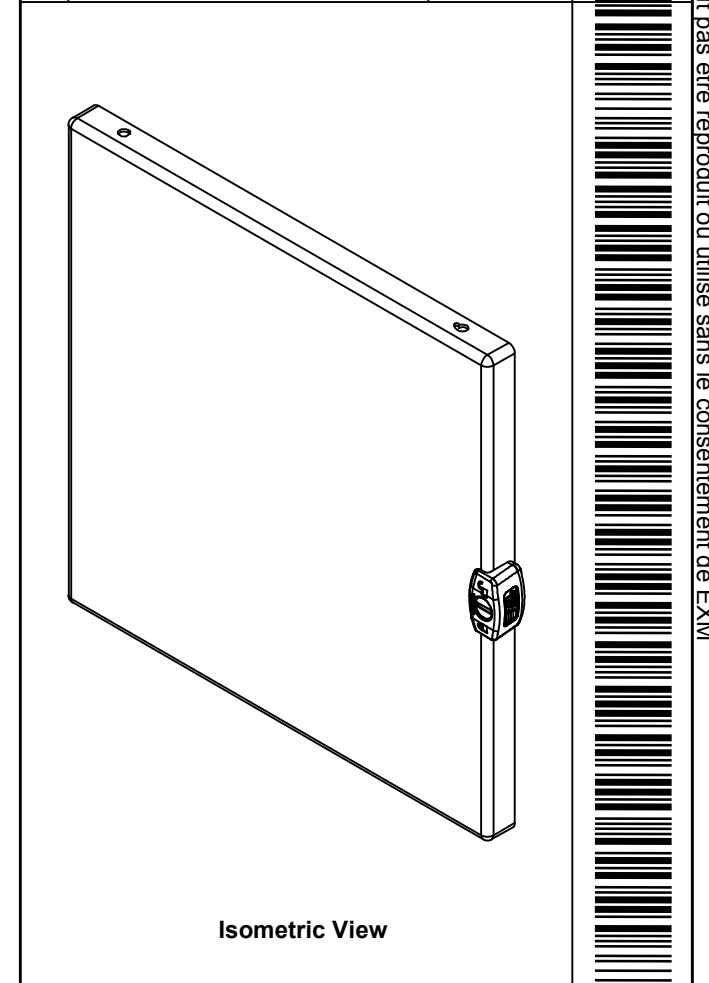


RIGHT




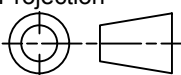
BOTTOM

| No. | Revisions | Date | By/Par |
|-----|-----------|------|--------|
| | | | |
| | | | |
| | | | |
| | | | |



Isometric View



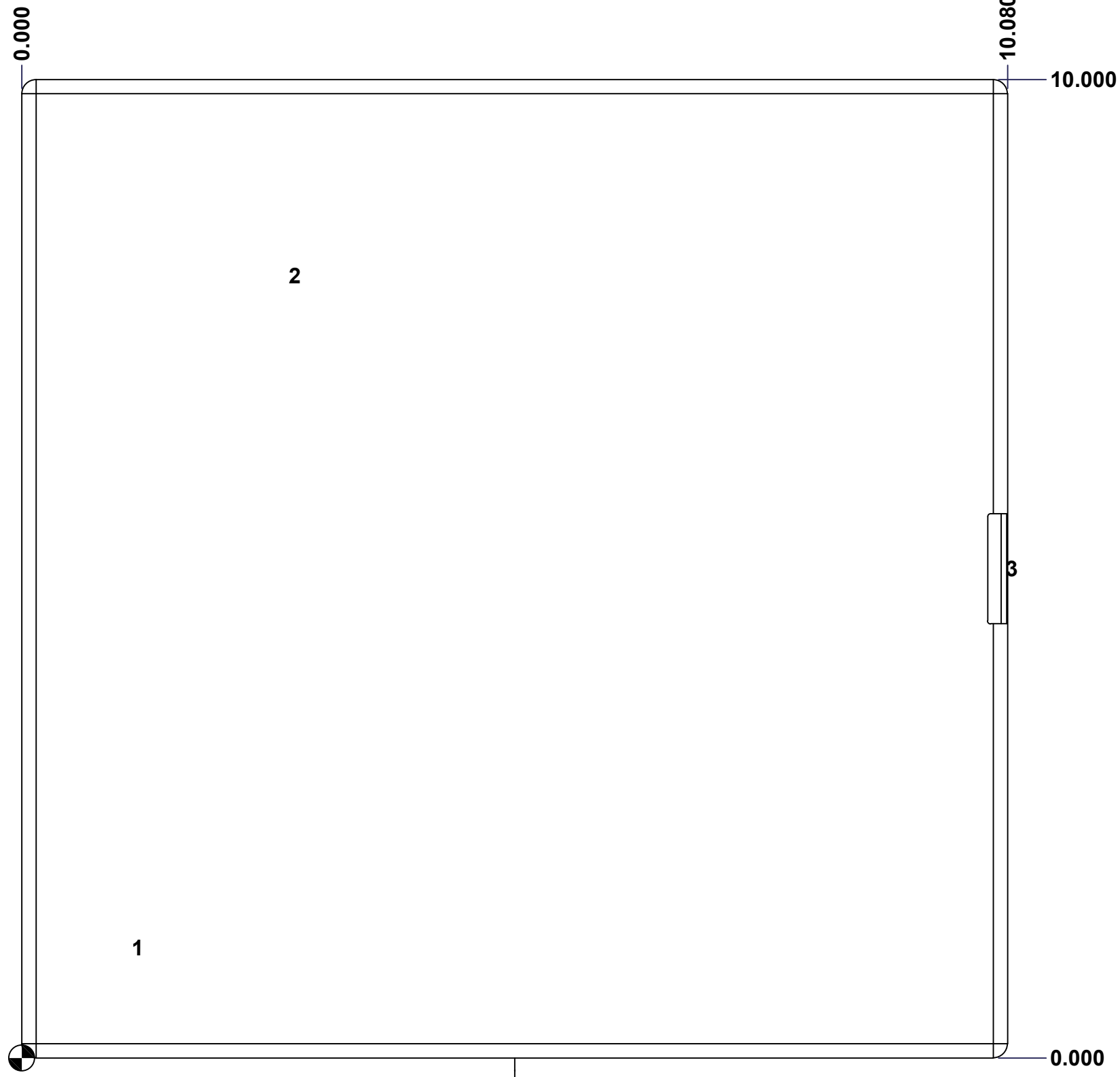
| | | |
|--|-----------------------------------|---|
|  Tél: (450) 979-4373 Fax: (450) 979-4626 www.exmweb.com | | Flatness Aplatissement Max 3.0mm Projection  |
| Customer Client | Date | |
| Drawn By Dessiné Par | BoxCad: BoxCad | Date 13-Mar-23 |
| Material Matière | 16 Ga Stainless Steel 316 (1.4mm) | |
| Color Couleur | Asa-61 Grey | Finish Fini Smooth |
| Description | Detail Rev. | |
| 5412ESSMPCH 10" x 10" Cover | | |
| Part Number Numéro Pièce | Rev. 0 | 7 9 |
| 5412ESSMPCH1010066C | | |

SEE BILL OF MATERIAL ON LAST PAGE

This drawing is confidential and must not be reproduced or used without the consent of EXM

Ce dessin est confidentiel et ne doit pas être reproduit ou utilisé sans le consentement de EXM

| STANDARD FEATURES ARE NOT LISTED IN THIS HOLE TABLE | | | |
|---|--------|-------|-----------------------------|
| HOLE TABLE - FRONT VIEW (CUSTOM FEATURE ONLY) | | | |
| CUT-OUT | XDIM | YDIM | DESCRIPTION |
| 1 | 1.145 | 1.125 | STANDOFF M6 x 10mm (Inside) |
| 2 | 2.750 | 8.000 | LABEL_EXM |
| 3 | 10.080 | 5.000 | LOCK 880 SCQ3MS @ 0.0° |



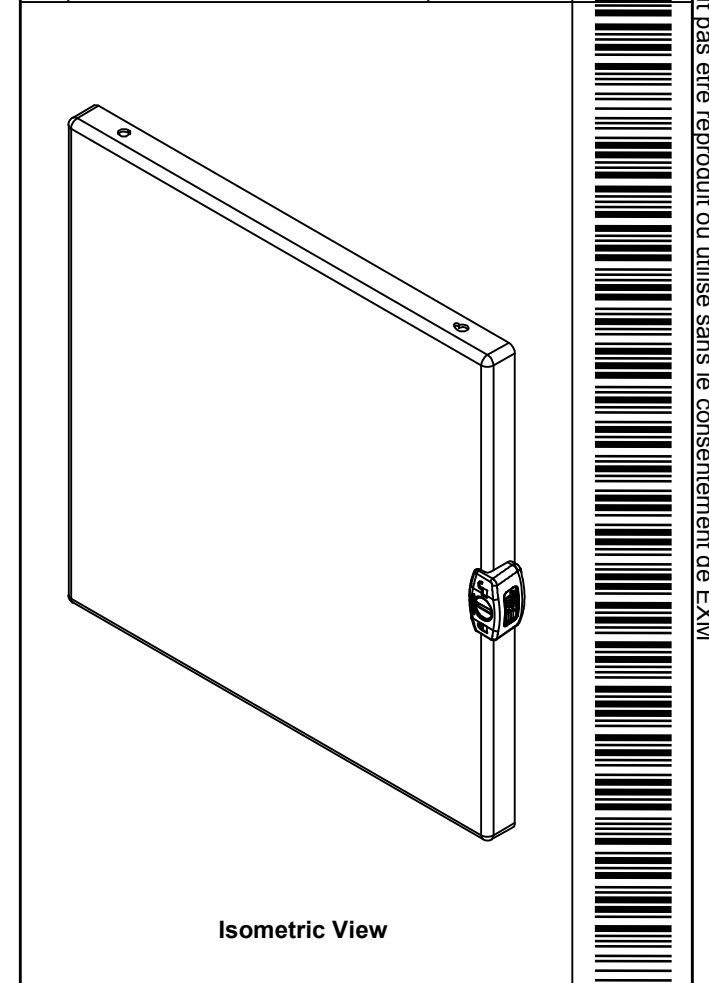
FRONT


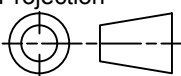
| | | |
|--|-----------------------------|----------|
| | Description | Status |
| | 5412ESSMPCH 10" x 10" Cover | (NULL) |
| | Part Number Numéro Pièce | Rev. |
| | 5412ESSMPCH1010066C | 0 |
| | | 8 |
| | | 9 |

This drawing is confidential and must not be reproduced or used without the consent of EXM

Ce dessin est confidentiel et ne doit pas être reproduit ou utilisé sans le consentement de EXM

| No. | Revisions | Date | By/Par |
|-----|-----------|------|--------|
| | | | |
| | | | |
| | | | |
| | | | |
| | | | |



| | | |
|--|-----------------------------------|---|
|  Tél: (450) 979-4373 Fax: (450) 979-4626 www.exmweb.com | | Flatness Aplatissement Max 3.0mm Projection  |
| Customer Client | Date | |
| Drawn By Dessiné Par | BoxCad: BoxCad | Date 13-Mar-23 |
| Material Matière | 16 Ga Stainless Steel 316 (1.4mm) | |
| Color Couleur | Asa-61 Grey | Finish Fini Smooth |
| Description | | Detail Rev. |
| 5412ESSMPCH 10" x 10" Cover | | |
| Part Number Numéro Pièce | Rev. | 9 |
| 5412ESSMPCH1010066C | 0 | 9 |

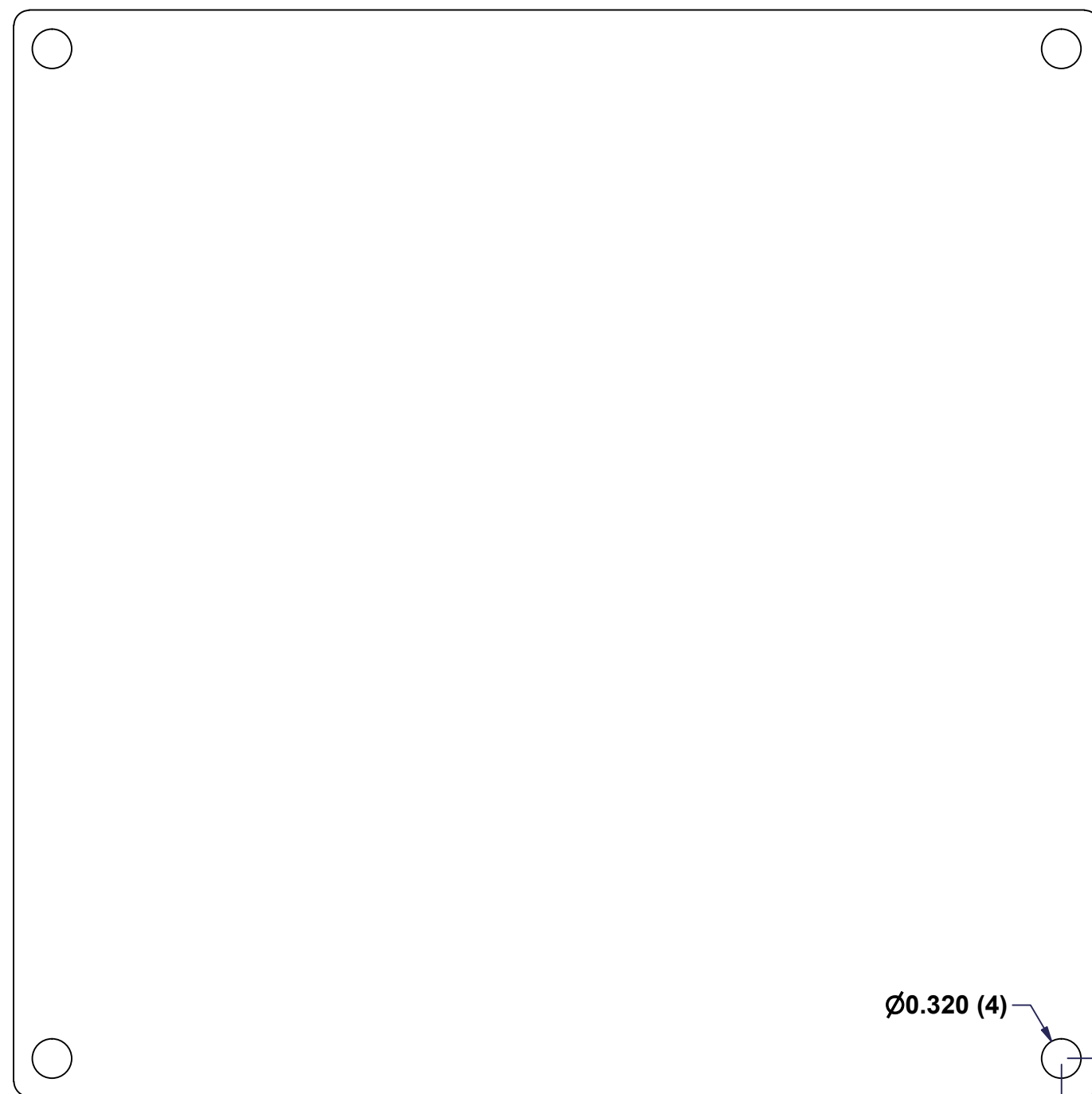
| | | | |
|------------|-----------------------|-----|--|
| 1 | 880SCQ3S | 4 | 5412 ESSMCH - Stainless Steel External Lock Assy - Slot Lock |
| 1 | 5412ESSMPCH1010066G | 0 | 5412ESSMPCH 10" x 10" Gasket |
| 1 | STK-S-00100 | 0 | 3.5" x 2" Silver Milar Flexcon Sticker |
| 1 | STK-Q-08500 | 4 | Stainless Steel Standoff M6 x 10mm |
| 1 | STK-P-02400S | 0 | Powder Paint (Asa-61 Grey / Smooth) |
| 1 | 5412ESSMPCH1010066C-P | 0 | 5412ESSMPCH 10" x 10" Cover Part |
| 2 | STK-A-33038 | 3 | 5412 ESSMCH - Stainless Steel Hinge |
| Qty | Part Number | Rev | Description |
| Parts List | | | |

This drawing is confidential and must not be reproduced or used without the consent of EXM

Ce dessin est confidentiel et ne doit pas être reproduit ou utilisé sans le consentement de EXM



TOP



FRONT

8.880

R0.125

Ø0.320 (4)

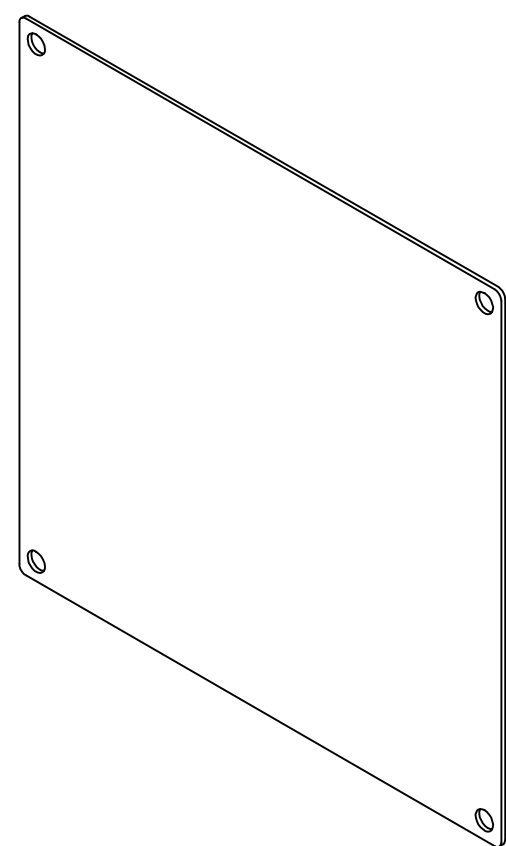
0.315

0.315

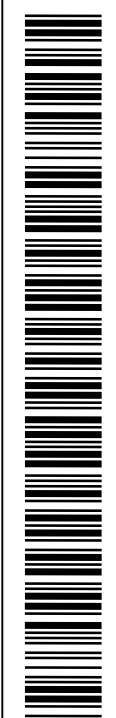
0.000

RIGHT

| No. | Revisions | Date | By/Par |
|-----|-----------|------|--------|
| | | | |
| | | | |
| | | | |
| | | | |
| | | | |



Isometric View

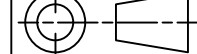


Tél: (450) 979-4373
 Fax: (450) 979-4626
 www.exmweb.com

Flatness
Aplatissement

Max 3.0mm

Projection



| | |
|--|---------------------------|
| Customer Client | Date |
| Drawn By Dessiné Par BoxCad | Date 23-Jan-07 |
| Material Matière 14 Ga Galvanized (1.7mm) | |
| Color Couleur Unpainted | Finish Fini Galvanized |

| | |
|--|-------------|
| Description 880 SP1010G - Inner Panel | Detail Rev. |
|--|-------------|

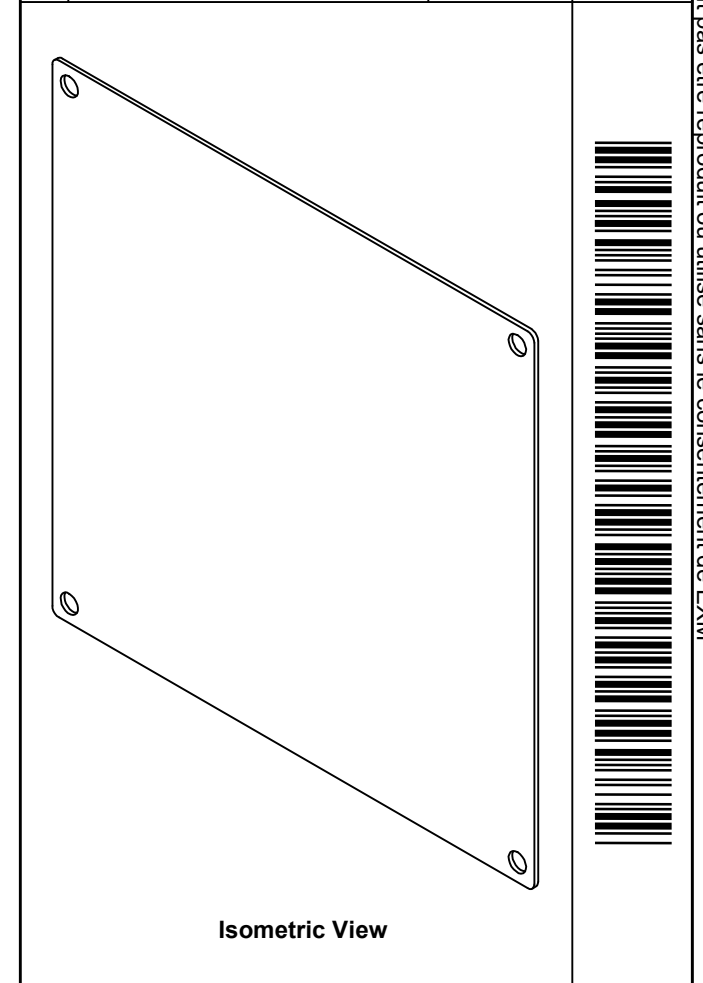
| | | |
|---|--------|--------|
| Part Number Numéro Pièce 880 SP1010G | Rev. 0 | 1 2 |
|---|--------|--------|


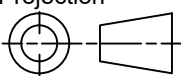
SEE BILL OF MATERIAL ON LAST PAGE

This drawing is confidential and must not be reproduced or used without the consent of EXM

Ce dessin est confidentiel et ne doit pas être reproduit ou utilisé sans le consentement de EXM

| No. | Revisions | Date | By/Par |
|-----|-----------|------|--------|
| | | | |
| | | | |
| | | | |
| | | | |
| | | | |



| | | |
|--|---------------------------|---|
|  Tél: (450) 979-4373 Fax: (450) 979-4626 www.exmweb.com | | Flatness Aplatissement Max 3.0mm |
| Customer Client | | Projection  |
| Drawn By Dessiné Par BoxCad | | Date 23-Jan-07 |
| Material Matière 14 Ga Galvanized (1.7mm) | | |
| Color Couleur Unpainted | Finish Fini Galvanized | |
| Description 880 SP1010G - Inner Panel | | Detail Rev. |
| Part Number Numéro Pièce 880 SP1010G | | Rev. 0 / 2 |

| Qty | Part Number | Rev | Description |
|------------|---------------|-----|--------------------------------|
| 1 | 880 SP1010G-P | 0 | 880 SP1010G - Inner Panel Part |
| Parts List | | | |