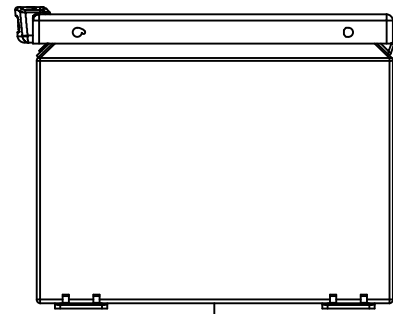
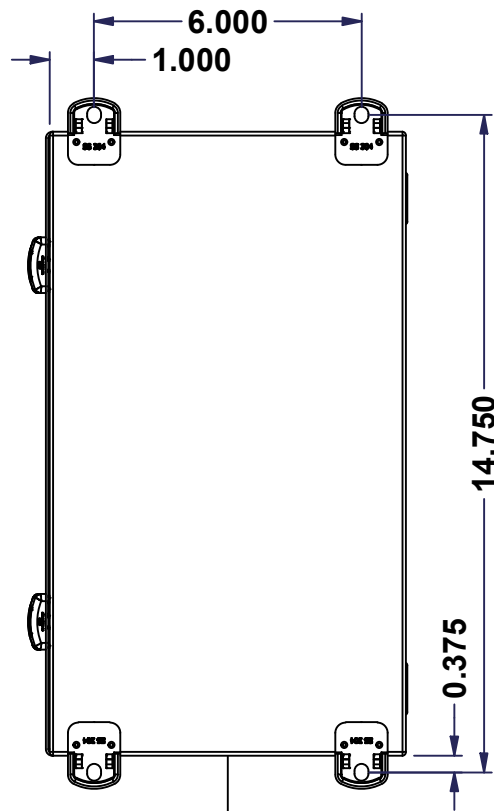


This drawing is confidential and must not be reproduced or used without the consent of EXM

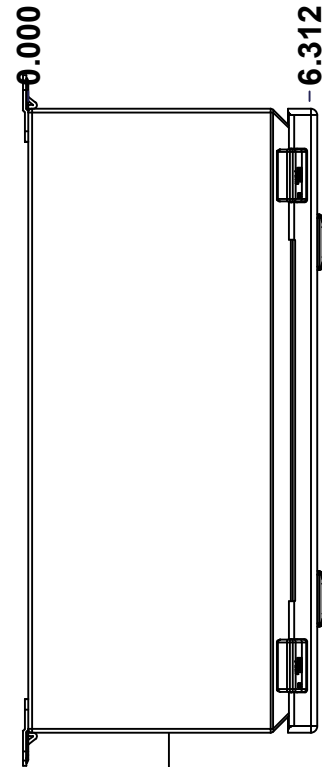
Ce dessin est confidentiel et ne doit pas être reproduit ou utilisé sans le consentement de EXM



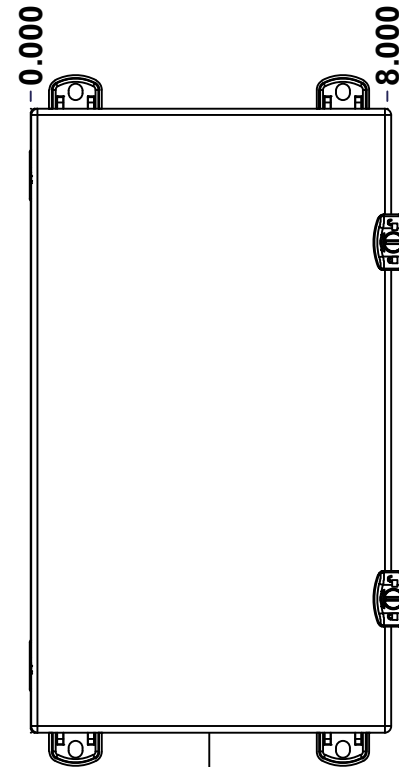
TOP



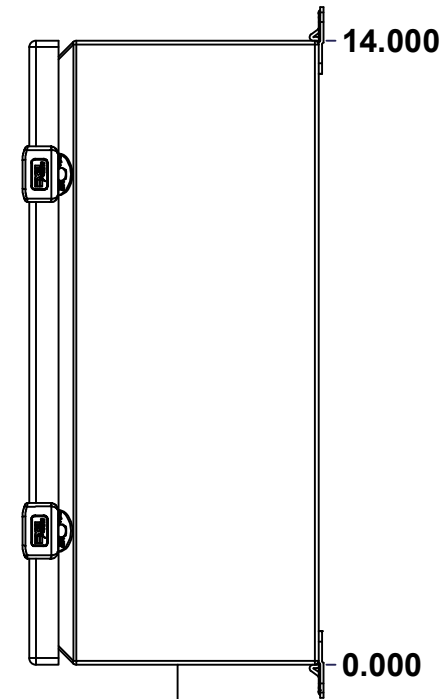
BACK



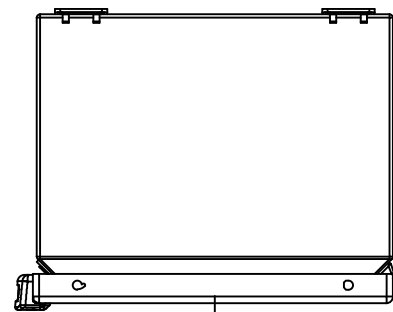
LEFT



FRONT

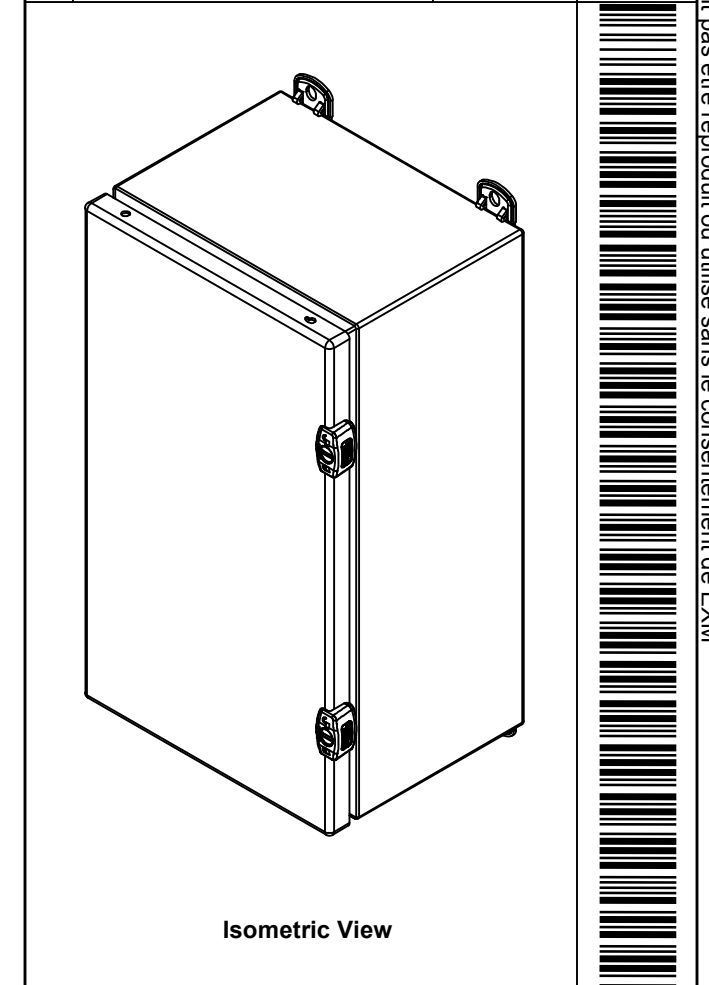


RIGHT





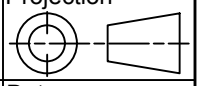
BOTTOM

| No. | Revisions | Date | By/Par |
|-----|-----------|------|--------|
|     |           |      |        |
|     |           |      |        |
|     |           |      |        |
|     |           |      |        |



Isometric View



|  |  |   |
|--|--|---|
|  Tél: (450) 979-4373<br>Fax: (450) 979-4626<br><a href="http://www.exmweb.com">www.exmweb.com</a> |  | Flatness<br>Aplatissement<br> Max 50mm |
| Customer Client<br>Drawn By / Dessiné Par: BoxCad: BoxCad<br>Material / Matière: 16 Ga Stainless Steel 316 (1.4mm)   |  | Projection<br>                         |
| Color / Couleur: Asa-61 Grey<br>Finish / Fini: Smooth  |  | Date: 13-Mar-23   |
| Description: 5412ESSMPCH 14" x 8" x 6" Assembly  |  | Detail Rev.   |
| Part Number / Numéro Pièce: 5412ESSMPCH1408066NOIP   |  | Rev. 1  |

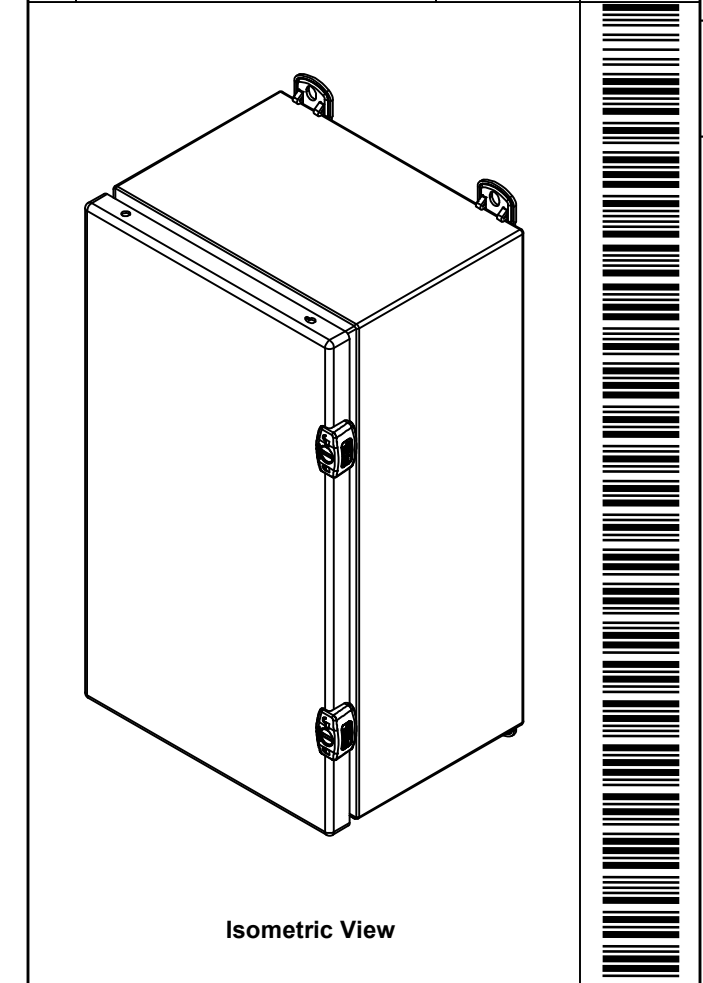
SEE BILL OF MATERIAL ON LAST PAGE 5412ESSMPCH1408066NOIP 0

This drawing is confidential and must not be reproduced or used without the consent of EXM

Ce dessin est confidentiel et ne doit pas être reproduit ou utilisé sans le consentement de EXM

| NOTE |  |
|------|--|
| ITEM | DESCRIPTION                                    |
| 1    | NEMA 4X Enclosure                              |
| 2    | C/W Standard ground standoffs on box and cover |
| 3    | W/O Standard door stiffener                    |
| 4    | W/O Inner panel                                |
| 5    | C/W Standard inner panel mounting standoffs    |
| 6    | C/W 885 ESCHMF2 Mounting Feet (Welded)         |

| No. | Revisions | Date | By/Par |
|-----|-----------|------|--------|
|     |           |      |        |
|     |           |      |        |
|     |           |      |        |
|     |           |      |        |
|     |           |      |        |




 Tél: (450) 979-4373  
 Fax: (450) 979-4626  
[www.exmweb.com](http://www.exmweb.com)

Flatness / Aplatissement:   
 Max 50mm  
 Projection: 

|  |                 |
|--|-----------------|
| Customer Client                        | Date            |
| Drawn By / Dessiné Par: BoxCad: BoxCad | Date: 13-Mar-23 |

Material / Matière: 16 Ga Stainless Steel 316 (1.4mm)

Color / Couleur: Asa-61 Grey      Finish / Fini: Smooth

Description: 5412ESSMPCH 14" x 8" x 6" Assembly      Detail Rev.

Part Number / Numéro Pièce: **5412ESSMPCH1408066NOIP 0**      Rev. 2/9

| PACKING         |     |  |
|-----------------|-----|--|
| ITEM            | QTY | DESCRIPTION                                |
| STK-E-04321     | 1   | CARTON 5412 ESCH140806                     |
| Plastic bag     | 1   | To protect cover surface and inside gasket |
| Packaging label | 1   | White label with product number            |
| STK-S-01100     | 1   | ESCH EXM SQUARE STICKER                    |

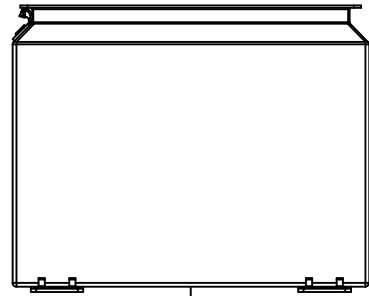
| Qty | Part Number              | Rev | Description                    |
|-----|--------------------------|-----|--------------------------------|
| 1   | STK-K-02910              | 3   | 5412 ESCH Accessory Kit        |
| 1   | 5412ESSMPCH1408066N OIPC | 0   | 5412ESSMPCH 14" x 8" Cover     |
| 1   | 5412ESSMPCH1408066N OIPB | 0   | 5412ESSMPCH 14" x 8" x 6" Body |
| 2   | STK-Q-08100              | 1   | M5 Nylon Insert Lock Nut       |
| 2   | STK-Q-10249              | 0   | M5 Sealing Washer              |

Parts List

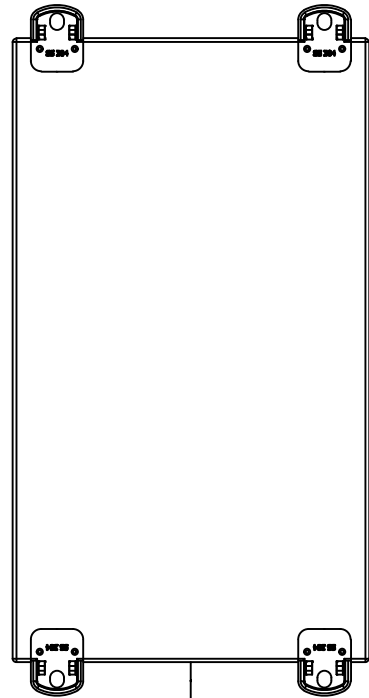
**5412ESSMPCH1408066NOIP 0**

This drawing is confidential and must not be reproduced or used without the consent of EXM

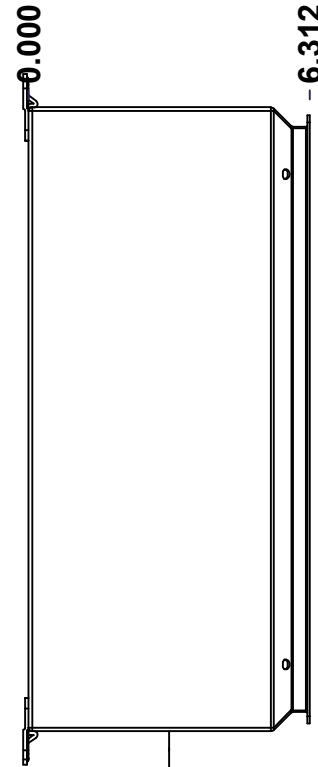
Ce dessin est confidentiel et ne doit pas être reproduit ou utilisé sans le consentement de EXM



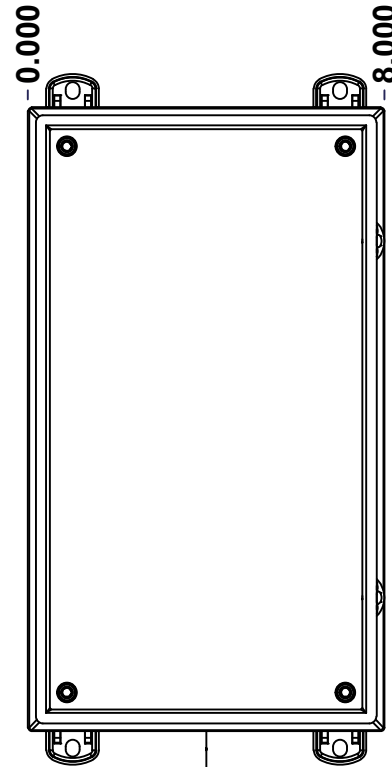
TOP



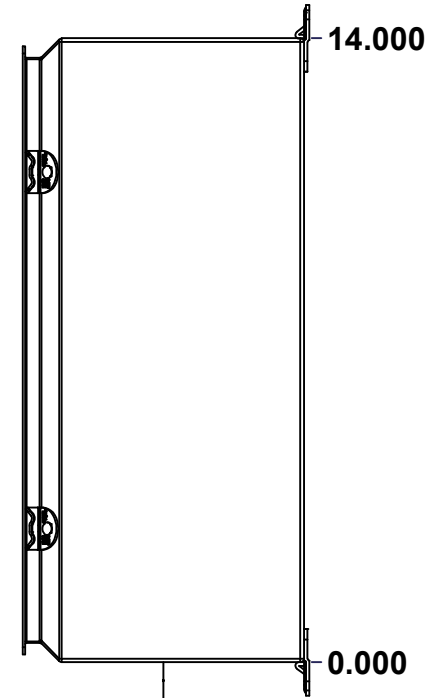
BACK



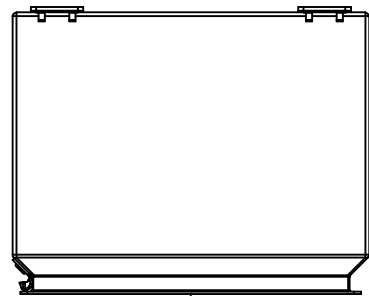
LEFT



FRONT

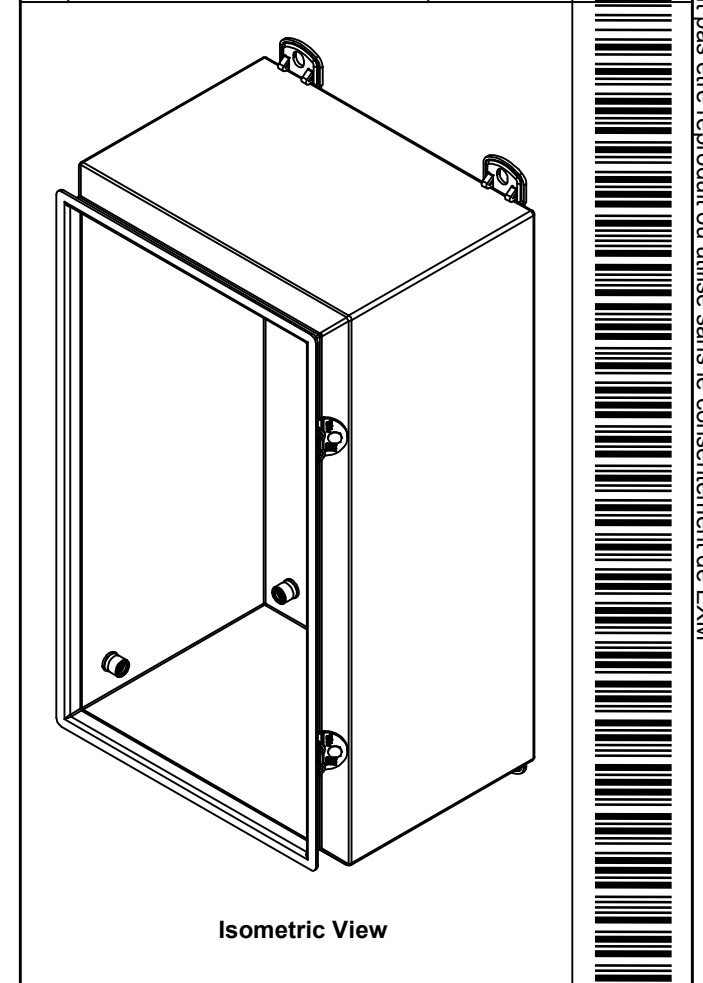


RIGHT


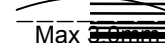
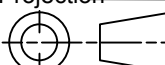


BOTTOM

| No. | Revisions | Date | By/Par |
|-----|-----------|------|--------|
|     |           |      |        |
|     |           |      |        |
|     |           |      |        |
|     |           |      |        |



Isometric View

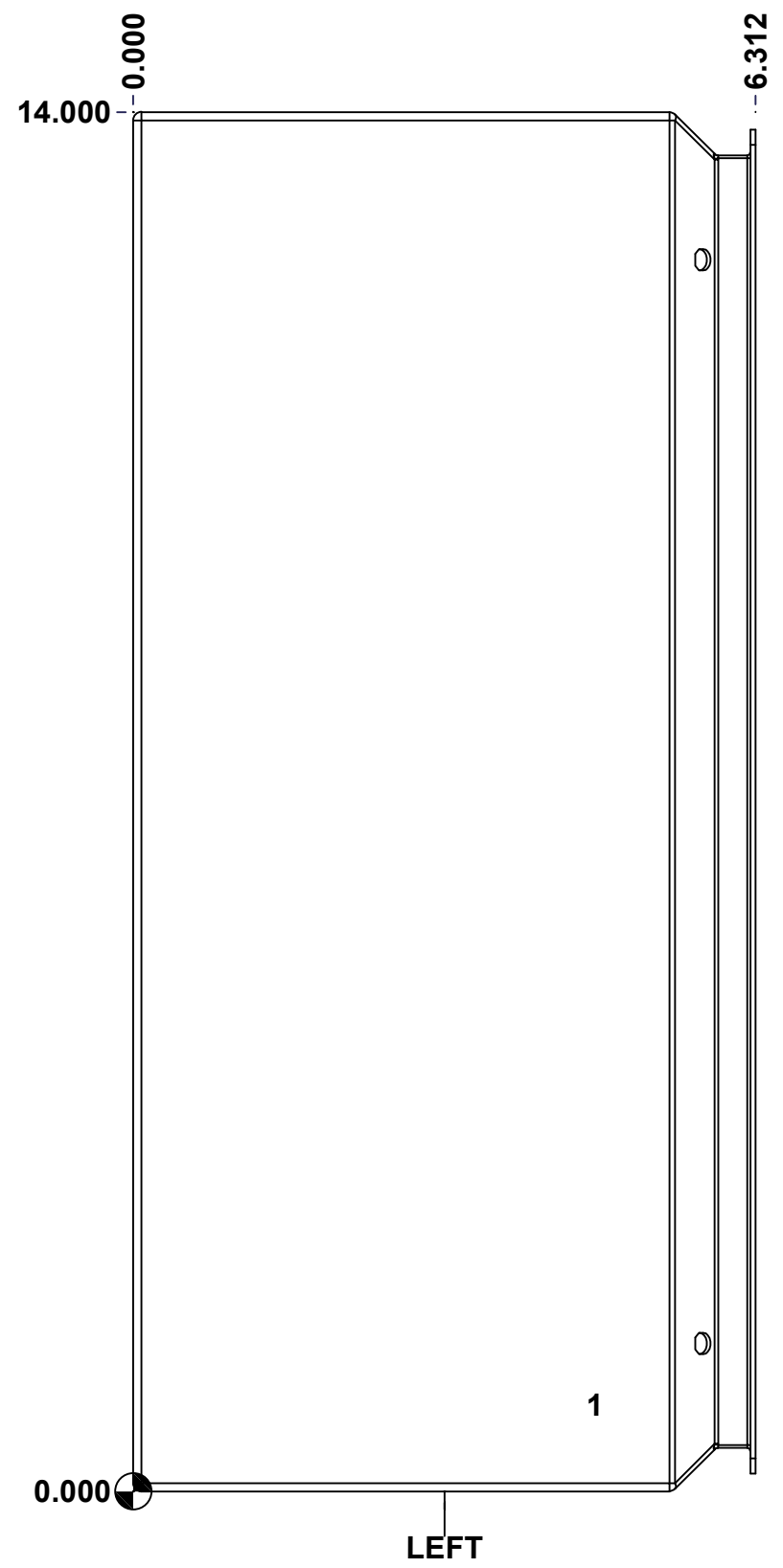
|  |                       |  |
|--|-----------------------|--|
|  Tél: (450) 979-4373<br>Fax: (450) 979-4626<br><a href="http://www.exmweb.com">www.exmweb.com</a> |                       | Flatness<br>Aplatissement<br>Max <br>Projection  |
| Customer Client  | Date                  |  |
| Drawn By / Dessiné Par: BoxCad: BoxCad   | Date: 13-Mar-23       |  |
| Material / Matière: 16 Ga Stainless Steel 316 (1.4mm)  |                       |  |
| Color / Couleur: Asa-61 Grey   | Finish / Fini: Smooth |  |
| Description: 5412ESSMPCH 14" x 8" x 6" Body  | Detail Rev.           |  |
| Part Number / Numéro Pièce   | Rev. 3                | 9  |

SEE BILL OF MATERIAL ON LAST PAGE 5412ESSMPCH1408066NOIPB 0

This drawing is confidential and must not be reproduced or used without the consent of EXM

Ce dessin est confidentiel et ne doit pas être reproduit ou utilisé sans le consentement de EXM

| <b>STANDARD FEATURES ARE NOT LISTED IN THIS HOLE TABLE</b> |       |       |                             |
|--|-------|-------|-----------------------------|
| <b>HOLE TABLE - LEFT VIEW (CUSTOM FEATURE ONLY)</b>        |       |       |                             |
| CUT-OUT  | XDIM  | YDIM  | DESCRIPTION                 |
| 1  | 4.625 | 0.875 | STANDOFF M6 x 10mm (Inside) |

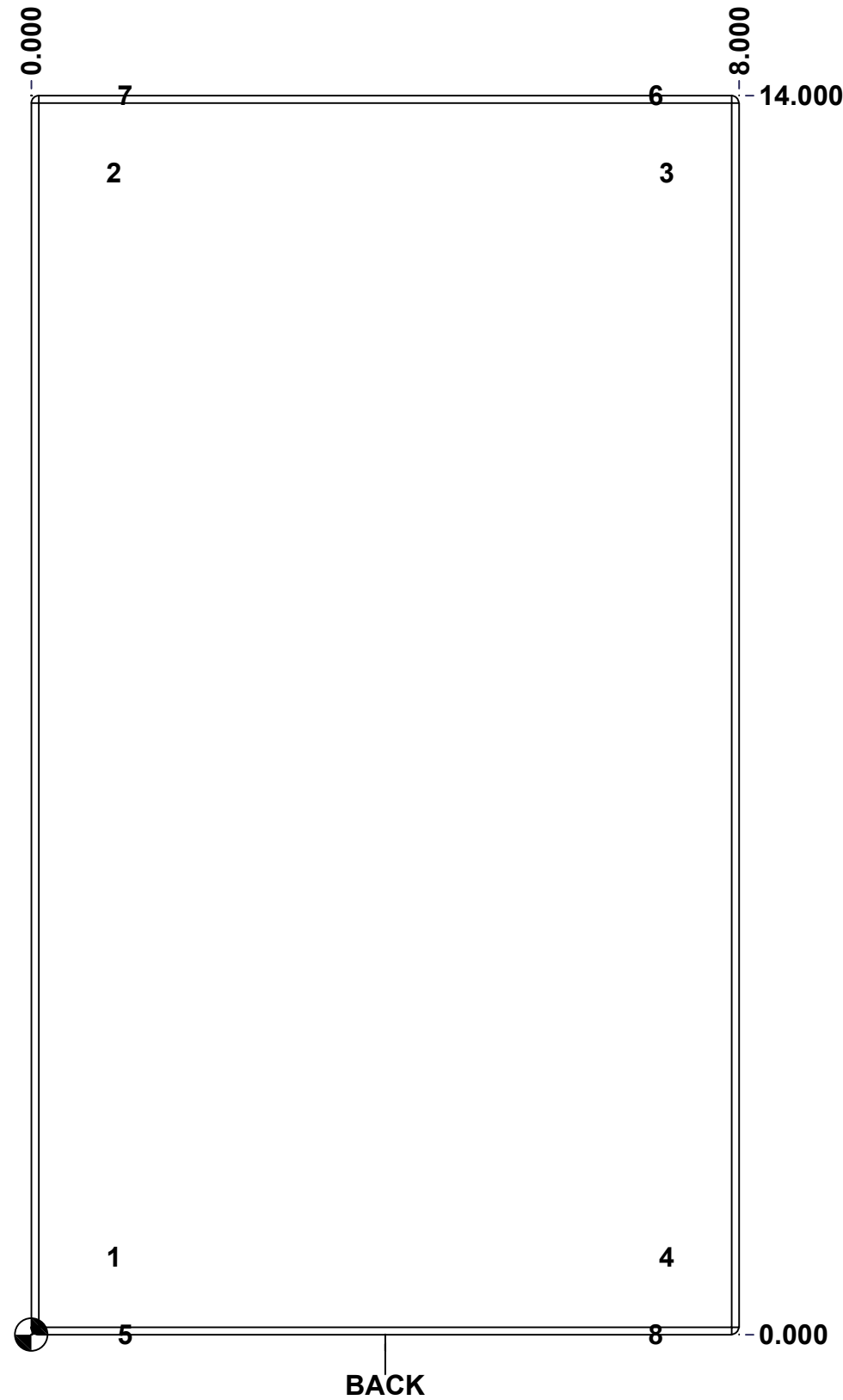


|  |                                |  |        |
|--|--------------------------------|--|--------|
|  | Description                    |  | Status |
|  | 5412ESSMPCH 14" x 8" x 6" Body |  | (NULL) |
|  | Part Number<br>Numéro Pièce    |  | Rev.   |
|  | 5412ESSMPCH1408066NOIPB 0      |  | 4<br>9 |

This drawing is confidential and must not be reproduced or used without the consent of EXM

Ce dessin est confidentiel et ne doit pas être reproduit ou utilisé sans le consentement de EXM

| STANDARD FEATURES ARE NOT LISTED IN THIS HOLE TABLE |       |        |                                |
|---|-------|--------|--------------------------------|
| HOLE TABLE - BACK VIEW (CUSTOM FEATURE ONLY)        |       |        |                                |
| CUT-OUT   | XDIM  | YDIM   | DESCRIPTION                    |
| 1   | 0.875 | 0.875  | IP STANDOFF M6 x 10mm (Inside) |
| 2   | 0.875 | 13.125 | IP STANDOFF M6 x 10mm (Inside) |
| 3   | 7.125 | 13.125 | IP STANDOFF M6 x 10mm (Inside) |
| 4   | 7.125 | 0.875  | IP STANDOFF M6 x 10mm (Inside) |
| -----   |       |        |                                |
| 5   | 1.000 | 0.000  | FOOT 885 ESCHMF2               |
| 6   | 7.000 | 14.000 | FOOT 885 ESCHMF2               |
| 7   | 1.000 | 14.000 | FOOT 885 ESCHMF2               |
| 8   | 7.000 | 0.000  | FOOT 885 ESCHMF2               |

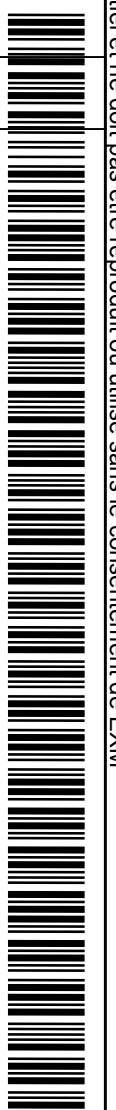
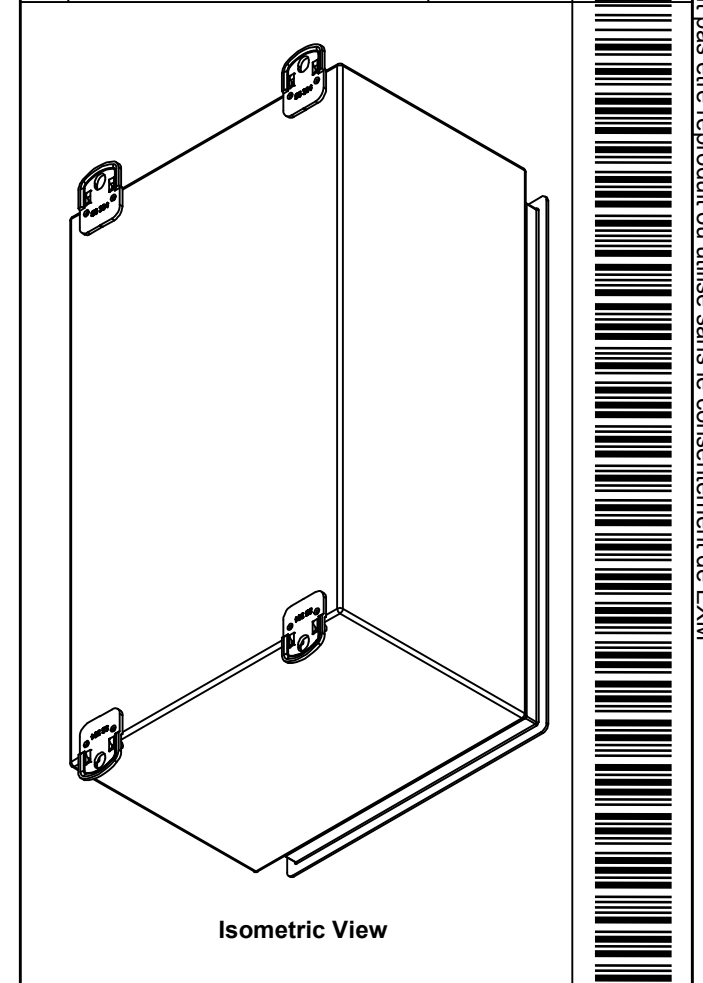


|  |                                  |        |
|--|----------------------------------|--------|
|  | Description                      | Status |
|  | 5412ESSMPCH 14" x 8" x 6" Body   | (NULL) |
|  | Part Number<br>Numéro Pièce      | Rev.   |
|  | <b>5412ESSMPCH1408066NOIPB 0</b> | 5<br>9 |

This drawing is confidential and must not be reproduced or used without the consent of EXM

Ce dessin est confidentiel et ne doit pas être reproduit ou utilisé sans le consentement de EXM

| No. | Revisions | Date | By/Par |
|-----|-----------|------|--------|
|     |           |      |        |
|     |           |      |        |
|     |           |      |        |
|     |           |      |        |
|     |           |      |        |




 Tél: (450) 979-4373  
 Fax: (450) 979-4626  
[www.exmweb.com](http://www.exmweb.com)

Flatness / Aplatissement:  Max   
 Projection: 

|  |                 |
|--|-----------------|
| Customer Client                        | Date            |
| Drawn By / Dessiné Par: BoxCad: BoxCad | Date: 13-Mar-23 |

Material / Matière: 16 Ga Stainless Steel 316 (1.4mm)

Color / Couleur: Asa-61 Grey      Finish / Fini: Smooth

Description: 5412ESSMPCH 14" x 8" x 6" Body      Detail Rev.

Part Number / Numéro Pièce: **5412ESSMPCH1408066NOIPB 0**      Rev. 6

| Qty | Part Number                | Rev | Description   |
|-----|----------------------------|-----|---|
| 4   | STK-Q-71316                | 4   | 5412 ESSMCH Stainless Steel Mounting Foot             |
| 1   | STK-P-02400S               | 0   | Powder Paint (Asa-61 Grey / Smooth)                   |
| 1   | 5412ESSMPCH1408066N OIPB-P | 0   | 5412ESSMPCH 14" x 8" x 6" Body Part                   |
| 2   | STK-A-70469                | 6   | 5412 ESSMCH - Stainless Steel 316 Body Catch Assembly |
| 2   | STK-Q-08100                | 1   | M5 Nylon Insert Lock Nut                              |
| 5   | STK-Q-08500                | 4   | Stainless Steel Standoff M6 x 10mm                    |
|     |                            |     |   |

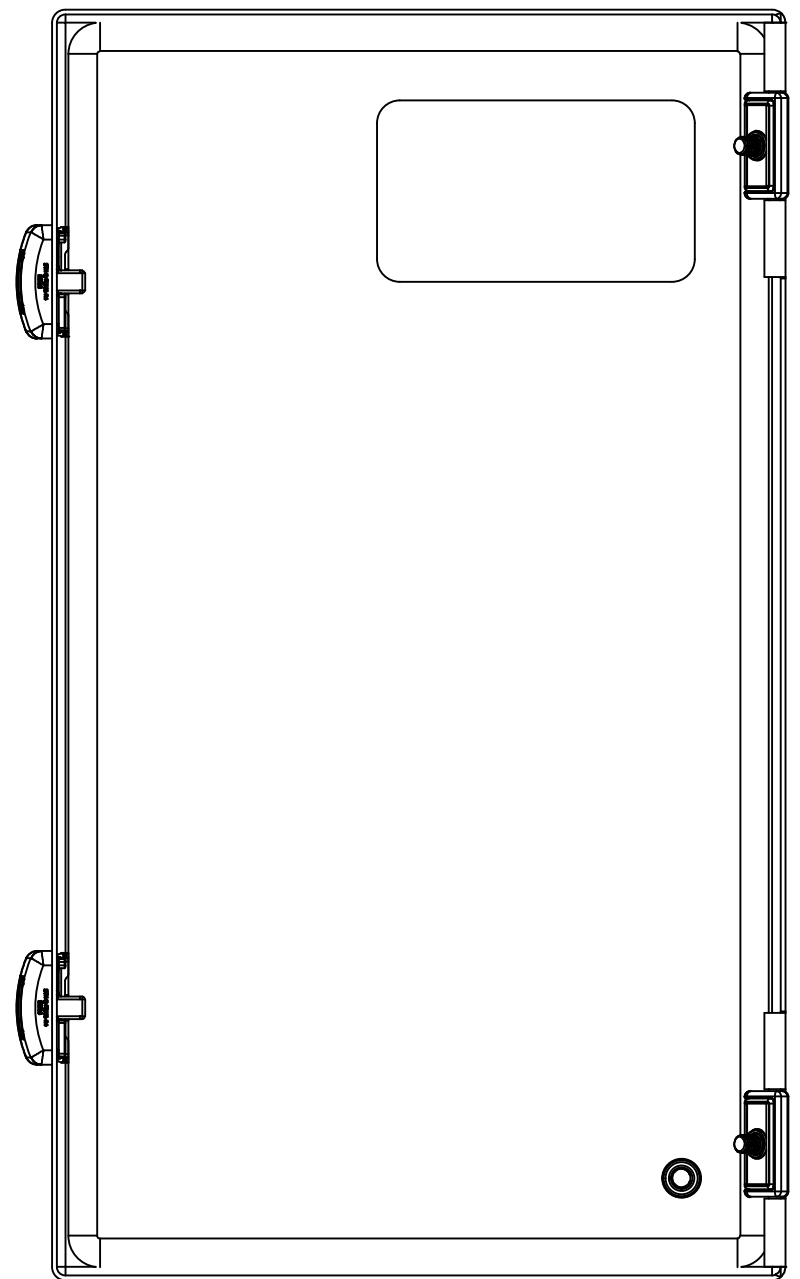
Parts List

This drawing is confidential and must not be reproduced or used without the consent of EXM

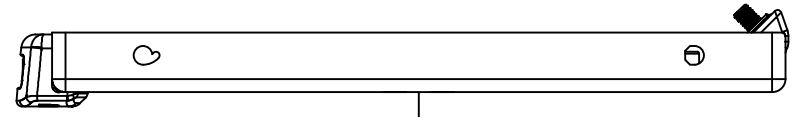
Ce dessin est confidentiel et ne doit pas être reproduit ou utilisé sans le consentement de EXM



TOP

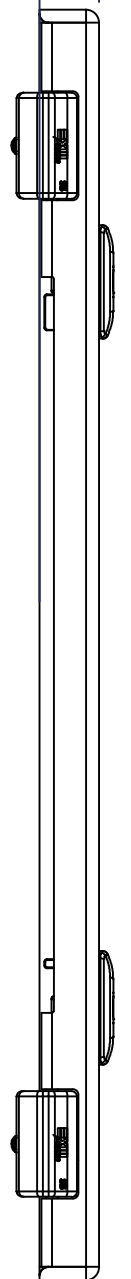


BACK



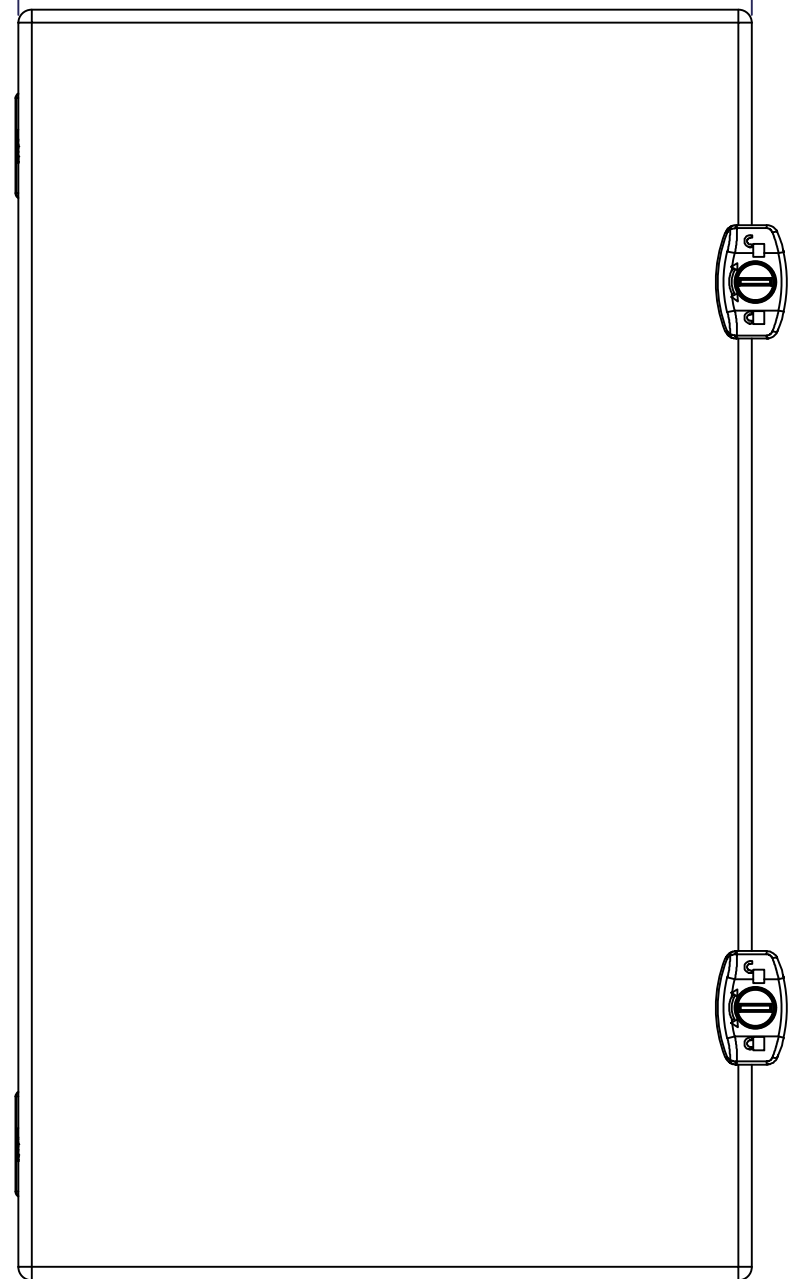
BOTTOM

0.000  
0.656



LEFT

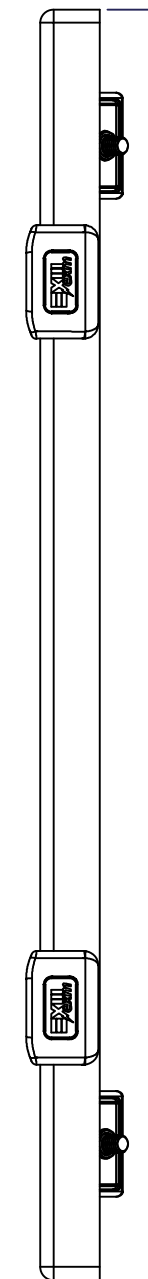
0.000



FRONT

8.080

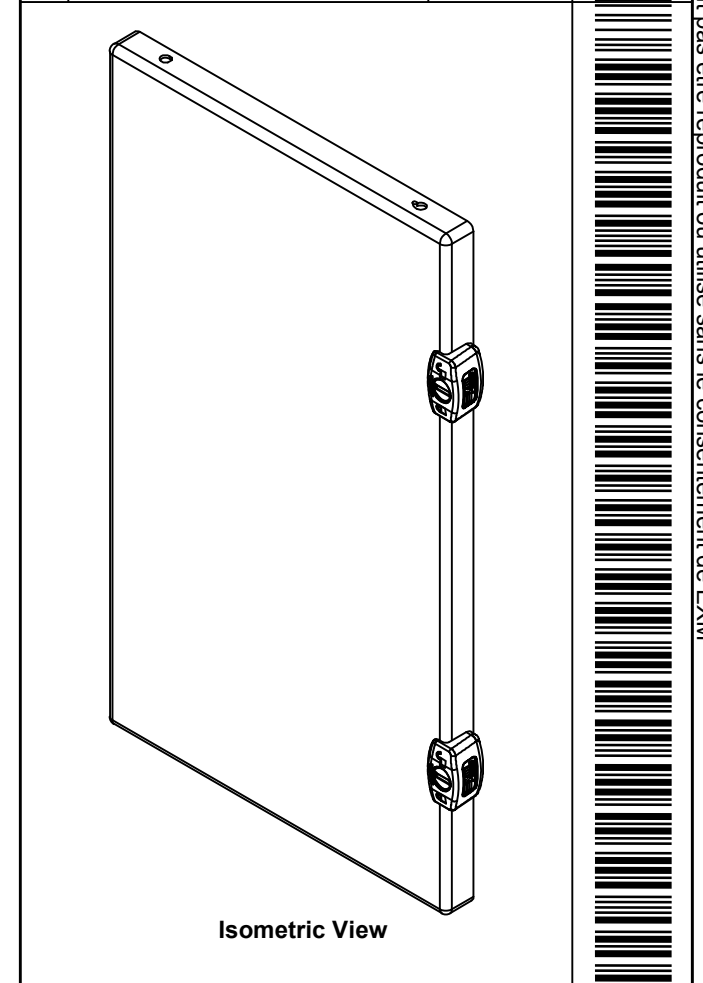
14.000



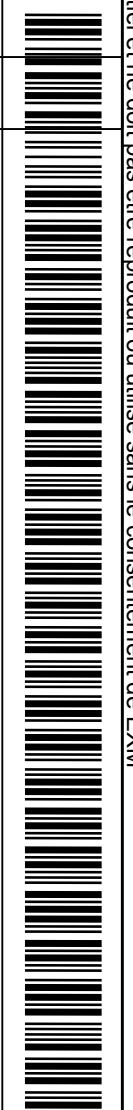
RIGHT





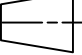
0.000

| No. | Revisions | Date | By/Par |
|-----|-----------|------|--------|
|     |           |      |        |
|     |           |      |        |
|     |           |      |        |
|     |           |      |        |



Isometric View



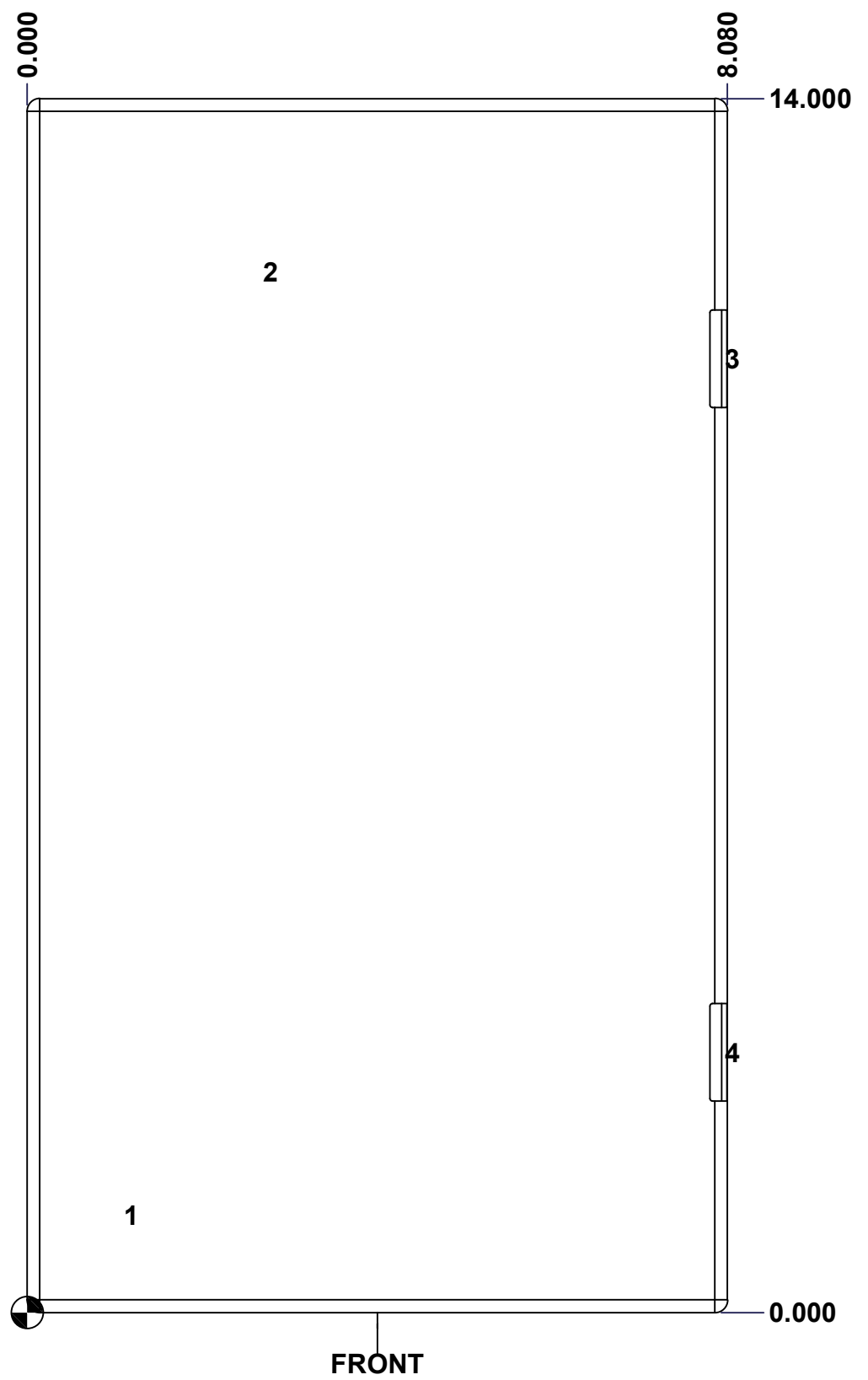
|  |                                   |  |
|--|-----------------------------------|--|
|  Tél: (450) 979-4373<br>Fax: (450) 979-4626<br><a href="http://www.exmweb.com">www.exmweb.com</a> |                                   | Flatness<br>Aplatissement<br>Max  <br>Projection   |
| Customer Client  | Date                              |  |
| Drawn By<br>Dessiné Par  | BoxCad: BoxCad                    | Date 13-Mar-23   |
| Material<br>Matière  | 16 Ga Stainless Steel 316 (1.4mm) |  |
| Color<br>Couleur   | Asa-61 Grey                       | Finish<br>Fini Smooth  |
| Description  | Detail Rev.                       |  |
| 5412ESSMPCH 14" x 8" Cover   |                                   |  |
| Part Number<br>Numéro Pièce  | Rev. 7                            | 9  |

SEE BILL OF MATERIAL ON LAST PAGE 5412ESSMPCH1408066NOIPC 0

This drawing is confidential and must not be reproduced or used without the consent of EXM

Ce dessin est confidentiel et ne doit pas être reproduit ou utilisé sans le consentement de EXM

| STANDARD FEATURES ARE NOT LISTED IN THIS HOLE TABLE |       |        |                             |
|---|-------|--------|-----------------------------|
| HOLE TABLE - FRONT VIEW (CUSTOM FEATURE ONLY)       |       |        |                             |
| CUT-OUT   | XDIM  | YDIM   | DESCRIPTION                 |
| 1   | 1.145 | 1.125  | STANDOFF M6 x 10mm (Inside) |
| 2   | 2.750 | 12.000 | LABEL_EXM                   |
| 3   | 8.080 | 11.000 | LOCK 880 SCQ3MS @ 0.0°      |
| 4   | 8.080 | 3.000  | LOCK 880 SCQ3MS @ 0.0°      |



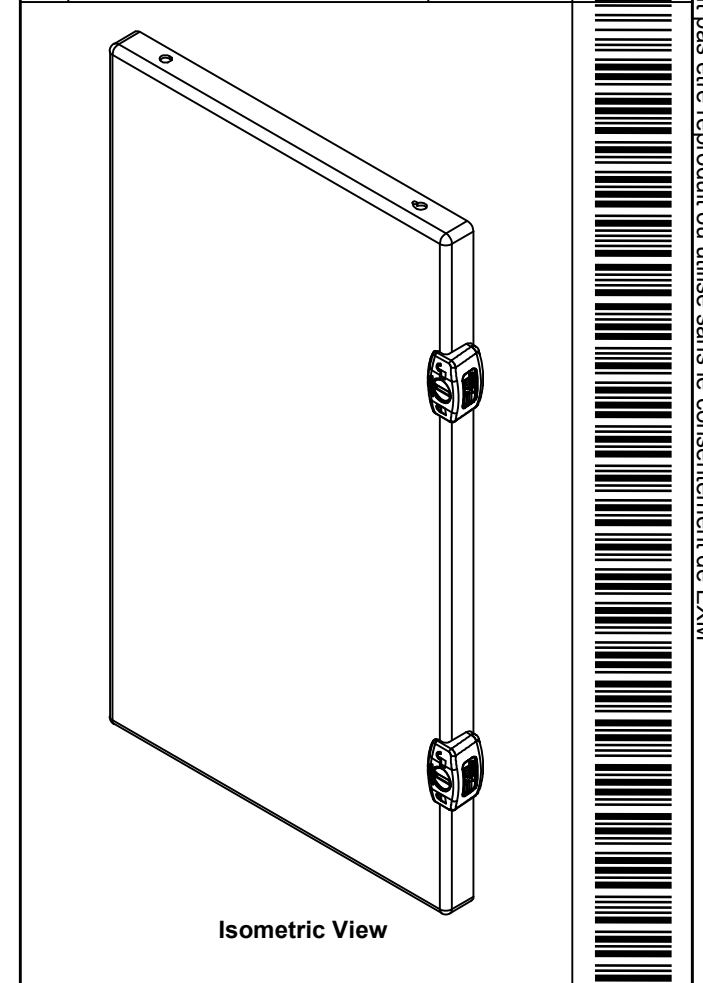
|  |                                  |        |
|--|----------------------------------|--------|
|  | Description                      | Status |
|  | 5412ESSMPCH 14" x 8" Cover       | (NULL) |
|  | Part Number<br>Numéro Pièce      | Rev.   |
|  | <b>5412ESSMPCH1408066NOIPC 0</b> | 8 / 9  |



This drawing is confidential and must not be reproduced or used without the consent of EXM

Ce dessin est confidentiel et ne doit pas être reproduit ou utilisé sans le consentement de EXM

| No. | Revisions | Date | By/Par |
|-----|-----------|------|--------|
|     |           |      |        |
|     |           |      |        |
|     |           |      |        |
|     |           |      |        |
|     |           |      |        |




 Tél: (450) 979-4373  
 Fax: (450) 979-4626  
[www.exmweb.com](http://www.exmweb.com)

Flatness / Aplatissement: Max  $\frac{0.005}{100}$   
 Projection: 

|   |                 |
|---|-----------------|
| Customer Client                                       | Date            |
| Drawn By / Dessiné Par: BoxCad: BoxCad                | Date: 13-Mar-23 |
| Material / Matière: 16 Ga Stainless Steel 316 (1.4mm) |                 |

|   |                       |
|---|-----------------------|
| Color / Couleur: Asa-61 Grey            | Finish / Fini: Smooth |
| Description: 5412ESSMPCH 14" x 8" Cover |                       |
| Detail Rev.                             |                       |

| Qty | Part Number                | Rev | Description  |
|-----|----------------------------|-----|--|
| 1   | 5412ESSMPCH1408066N OIPG   | 0   | 5412ESSMPCH 14" x 8" Gasket                                  |
| 1   | STK-S-00100                | 0   | 3.5" x 2" Silver Milar Flexcon Sticker                       |
| 1   | STK-Q-08500                | 4   | Stainless Steel Standoff M6 x 10mm                           |
| 1   | STK-P-02400S               | 0   | Powder Paint (Asa-61 Grey / Smooth)                          |
| 1   | 5412ESSMPCH1408066N OIPC-P | 0   | 5412ESSMPCH 14" x 8" Cover Part                              |
| 2   | STK-A-33038                | 3   | 5412 ESSMCH - Stainless Steel Hinge                          |
| 2   | 880SCQ3S                   | 4   | 5412 ESSMCH - Stainless Steel External Lock Assy - Slot Lock |
|     |                            |     |  |
|     |                            |     |  |

Parts List

|  |        |
|--|--------|
| Part Number / Numéro Pièce: <b>5412ESSMPCH1408066NOIPC 0</b> | Rev. 9 |
|--|--------|