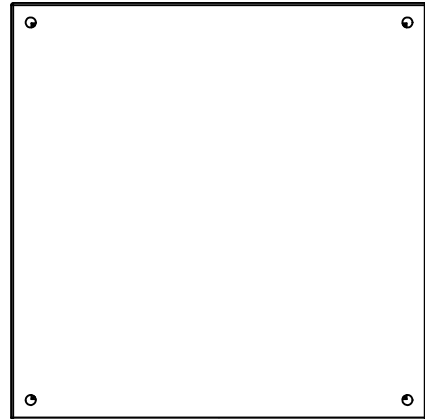


This drawing is confidential and must not be reproduced or used without the consent of EXM

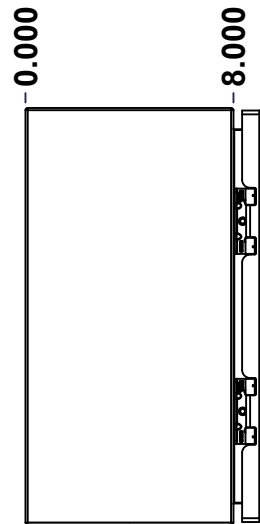
Ce dessin est confidentiel et ne doit pas être reproduit ou utilisé sans le consentement de EXM



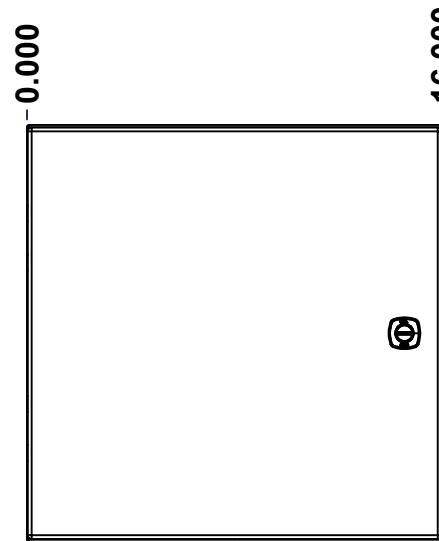
TOP



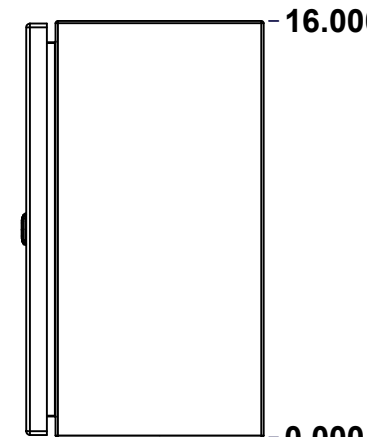
BACK



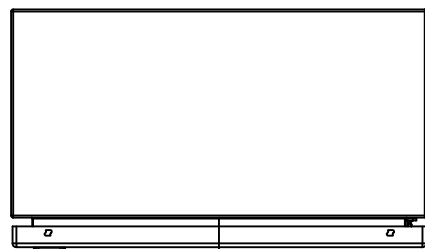
LEFT



FRONT

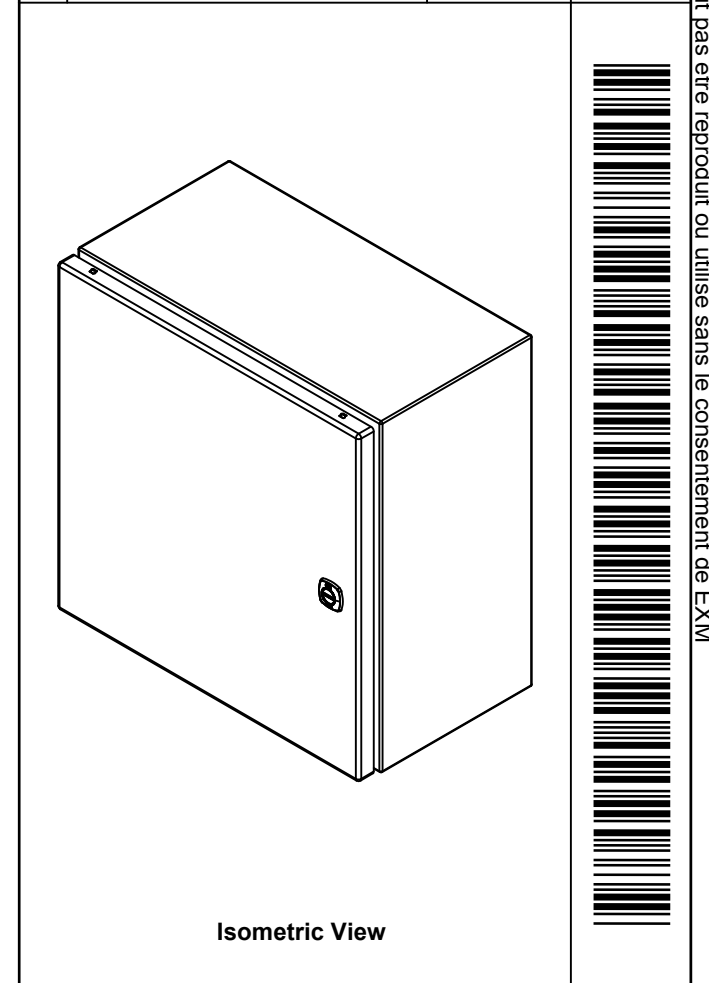



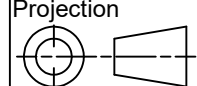
RIGHT



BOTTOM

| No. | Revisions | Date | By/Par |
|-----|-----------|------|--------|
| | | | |
| | | | |
| | | | |
| | | | |
| | | | |



| | | |
|----------------------------------------------------------------------------------------------------------------------------------------------------------------------------------------|------------------------------|-----------------------------------------------------------------------------------------------------------------------------------------------|
|  Tél: (450) 979-4373 Fax: (450) 979-4626 www.exmweb.com | | Flatness Aplatissement Max 3.0mm Projection  |
| Customer Client | Date | |
| Drawn By / Dessiné Par: BoxCad: BoxCad | Date: 20-Jan-13 | |
| Material / Matière: 16 Ga Stainless Steel 304 (1.4mm) | Color / Couleur: Asa-61 Grey | |
| Description: 5412ESSP 16" x 16" x 8" Assembly | | Finish / Fini: Smooth |
| Part Number / Numéro Pièce: 5412ESSP161608 | Detail Rev.: | Rev. 1/2 |

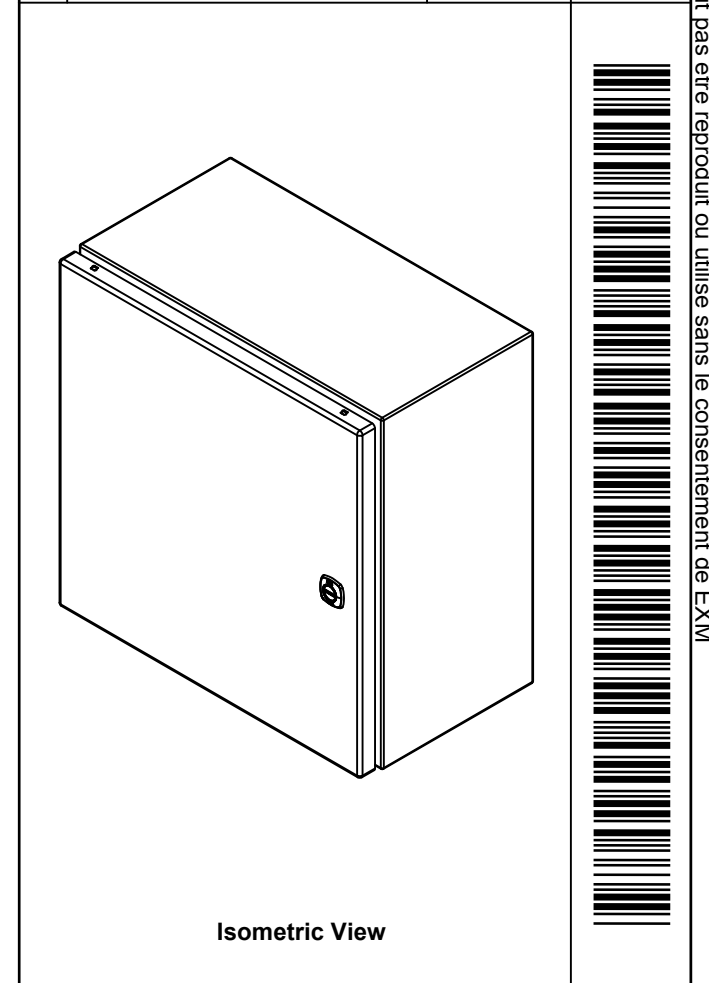
SEE BILL OF MATERIAL ON LAST PAGE

This drawing is confidential and must not be reproduced or used without the consent of EXM

Ce dessin est confidentiel et ne doit pas être reproduit ou utilisé sans le consentement de EXM

| NOTE | |
|------|--------------------------------------------|
| ITEM | DESCRIPTION |
| 1 | NEMA 4X Enclosure |
| 2 | C/W Standard ground studs on box and cover |
| 3 | C/W Standard door stiffener |
| 4 | C/W Standard inner panel (Included) |
| 5 | C/W Standard inner panel mounting studs |

| No. | Revisions | Date | By/Par |
|-----|-----------|------|--------|
| | | | |
| | | | |
| | | | |
| | | | |
| | | | |
| | | | |



EXM
www.exm.com

Tél: (450) 979-4373
Fax: (450) 979-4626
www.exmweb.com

Flatness
Aplatissement
Max 3.0mm
Projection

| | |
|----------------------------------------|-----------------------------------|
| Customer Client | Date |
| Drawn By Dessiné Par BoxCad: BoxCad | Date 20-Jan-13 |
| Material Matière | 16 Ga Stainless Steel 304 (1.4mm) |
| Color Couleur | Asa-61 Grey |
| Finish Fini | Smooth |

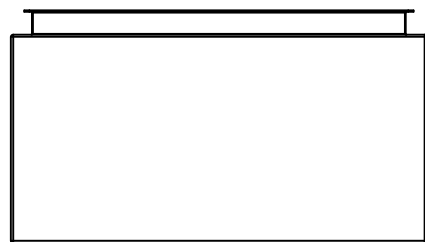
| | |
|----------------------------------|-------------|
| Description | Detail Rev. |
| 5412ESSP 16" x 16" x 8" Assembly | |
| Part Number Numéro Pièce | Rev. 2 |
| 5412ESSP161608 | 0 |

| Qty | Part Number | Rev | Description |
|------------|-----------------|-----|------------------------------------------------------------------------|
| 1 | STK-K-01800 | 5 | 5412 ES Accessory Kit |
| 1 | 880 PP | 6 | Self Adhesive Print Pocket |
| 1 | 881 SP1616G | 0 | 881 SP - Inner Panel |
| 1 | 5412ESSP161608C | 0 | 5412ESSP 16" x 16" Cover |
| 4 | STK-Q-07310 | 2 | Flange Lock Nut M8 |
| 4 | STK-Q-07610 | 8 | M8 Plastic Spacer 22.2mm |
| 1 | 5412ESSP161608B | 0 | 5412ESSP 16" x 16" x 8" Body |
| 2 | STK-Q-04051-07 | 8 | M6 x 7mm Stainless Steel Hexagon Socket Head Machine Screw with Nyseal |
| Parts List | | | |

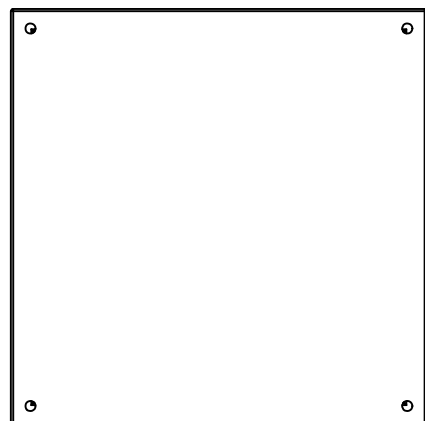
| PACKING | | |
|-----------------------|-----|--------------------------------------------|
| ITEM | QTY | DESCRIPTION |
| Cardboard sleeve | 2 | Top and Bottom |
| Cardboard strip | 2 | Between back of enclosure and inner panel |
| Plastic bag | 1 | To protect cover surface and inside gasket |
| Plastic strap - Black | 2 | To Squeeze the 2 cardboard sleeve together |
| Packaging label | 1 | White label with product number |

This drawing is confidential and must not be reproduced or used without the consent of EXM

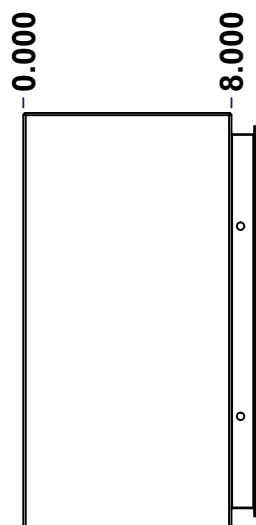
Ce dessin est confidentiel et ne doit pas être reproduit ou utilisé sans le consentement de EXM



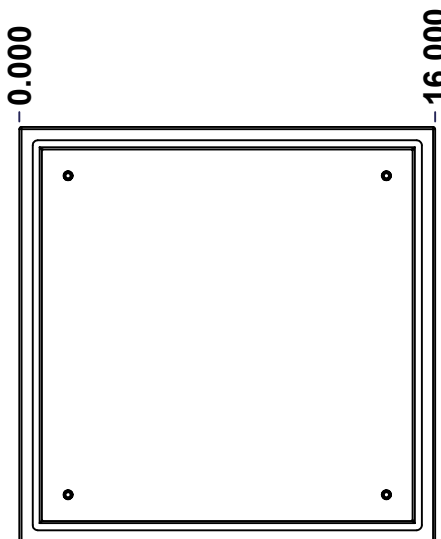
TOP



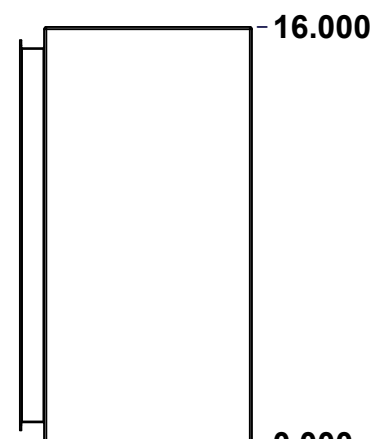
BACK



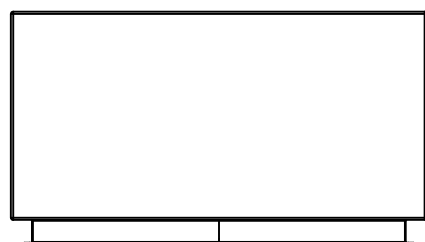
LEFT



FRONT

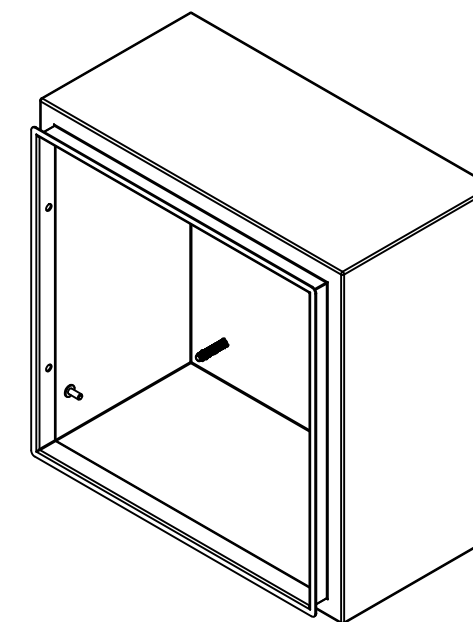


RIGHT



BOTTOM

| No. | Revisions | Date | By/Par |
|-----|-----------|------|--------|
| | | | |
| | | | |
| | | | |
| | | | |



Isometric View



Tél: (450) 979-4373
 Fax: (450) 979-4626
www.exmweb.com

Flatness
Aplatissement

Max 3.0mm

Projection



| | |
|-------------------------------------------------------|-----------------------|
| Customer Client | Date |
| Drawn By / Dessiné Par: BoxCad: BoxCad | Date: 20-Jan-13 |
| Material / Matière: 16 Ga Stainless Steel 304 (1.4mm) | |
| Color / Couleur: Asa-61 Grey | Finish / Fini: Smooth |
| Description: 5412ESSP 16" x 16" x 8" Body | Detail Rev. |
| Part Number / Numéro Pièce: 5412ESSP161608B | Rev. 0 |

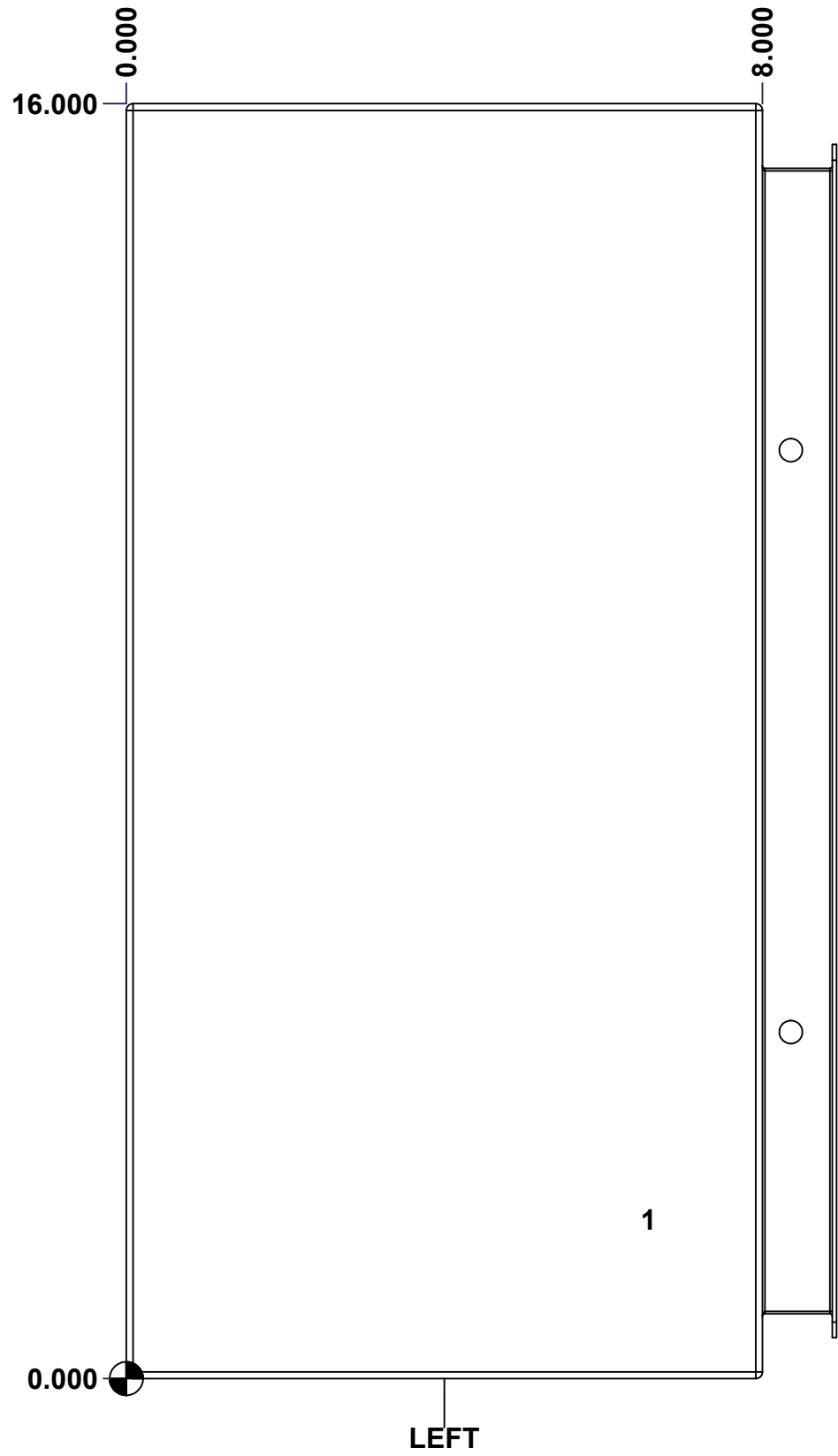
SEE BILL OF MATERIAL ON LAST PAGE

1 / 7

This drawing is confidential and must not be reproduced or used without the consent of EXM

Ce dessin est confidentiel et ne doit pas être reproduit ou utilisé sans le consentement de EXM

| STANDARD FEATURES ARE NOT LISTED IN THIS HOLE TABLE | | | |
|------------------------------------------------------------|-------|-------|-----------------------------|
| HOLE TABLE - LEFT VIEW (CUSTOM FEATURE ONLY) | | | |
| CUT-OUT | XDIM | YDIM | DESCRIPTION |
| 1 | 6.500 | 2.000 | GND STUD M6 x 16mm (Inside) |



| | | | | |
|--|------------------------------|--|----------|---|
| | Description | | Status | |
| | 5412ESSP 16" x 16" x 8" Body | | | |
| | Part Number Numéro Pièce | | Rev. | 5 |
| | 5412ESSP161608B | | 0 | 7 |

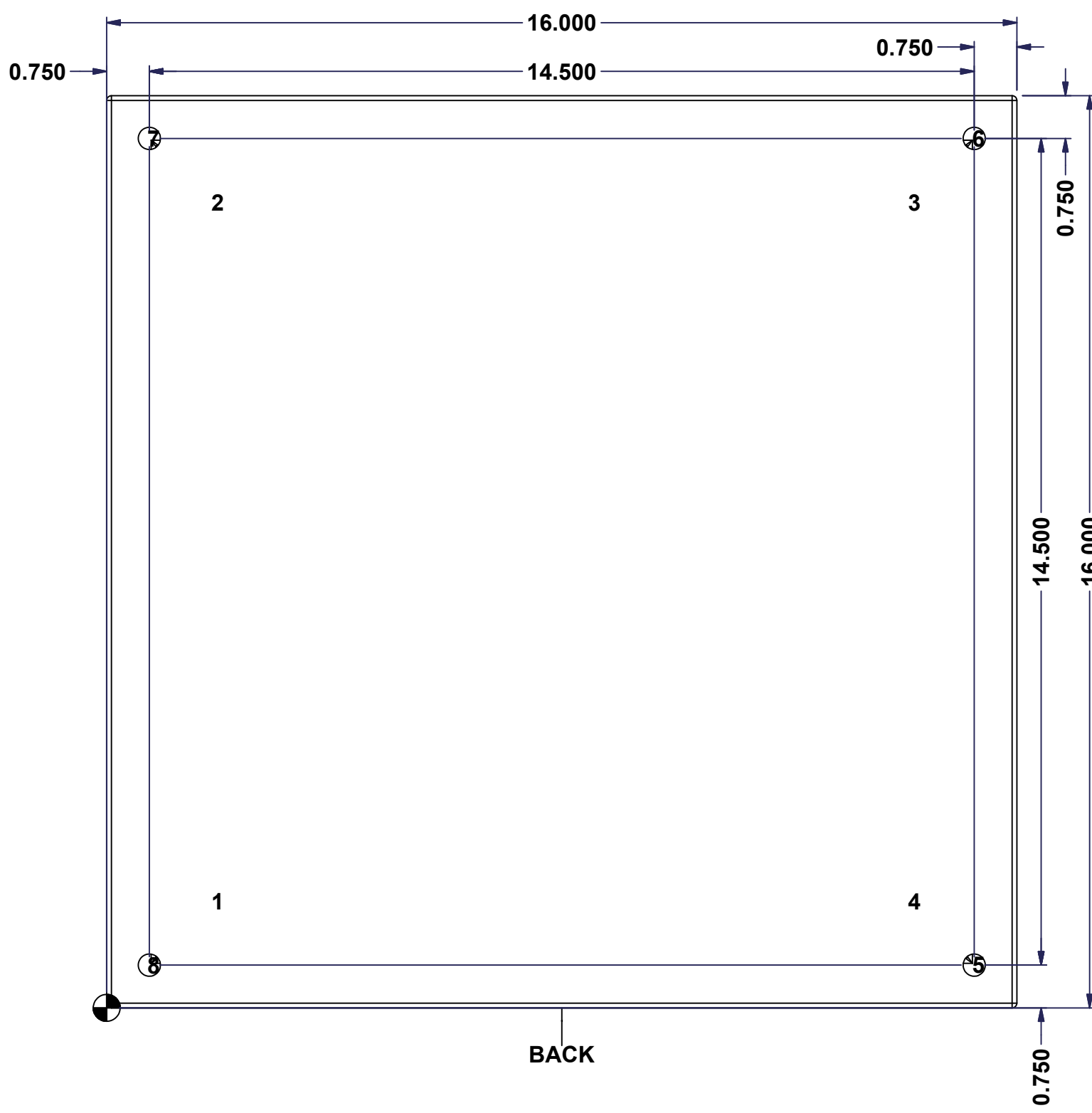
This drawing is confidential and must not be reproduced or used without the consent of EXM

Ce dessin est confidentiel et ne doit pas être reproduit ou utilisé sans le consentement de EXM

STANDARD FEATURES ARE NOT LISTED IN THIS HOLE TABLE

HOLE TABLE - BACK VIEW (CUSTOM FEATURE ONLY)

| CUT-OUT | XDIM | YDIM | DESCRIPTION |
|---------|--------|--------|----------------------------|
| 1 | 1.875 | 1.875 | IP STUD M8 x 35mm (Inside) |
| 2 | 1.875 | 14.125 | IP STUD M8 x 35mm (Inside) |
| 3 | 14.125 | 14.125 | IP STUD M8 x 35mm (Inside) |
| 4 | 14.125 | 1.875 | IP STUD M8 x 35mm (Inside) |
| ----- | | | |
| 5 | 15.250 | 0.750 | RND Ø0.390 |
| 6 | 15.250 | 15.250 | RND Ø0.390 |
| 7 | 0.750 | 15.250 | RND Ø0.390 |
| 8 | 0.750 | 0.750 | RND Ø0.390 |



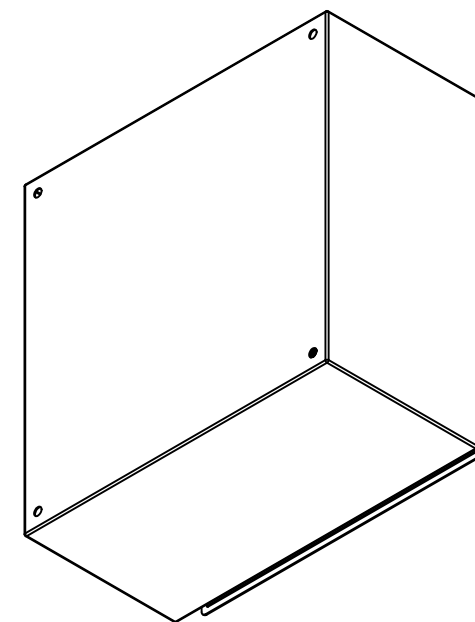
BACK

| | | | |
|--|------------------------------|----------|--------|
| | Description | Status | |
| | 5412ESSP 16" x 16" x 8" Body | | |
| | Part Number Numéro Pièce | Rev. | |
| | 5412ESSP161608B | 0 | 6 7 |

This drawing is confidential and must not be reproduced or used without the consent of EXM



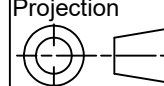
Ce dessin est confidentiel et ne doit pas être reproduit ou utilisé sans le consentement de EXM

| No. | Revisions | Date | By/Par |
|-----|-----------|------|--------|
| | | | |
| | | | |
| | | | |
| | | | |
| | | | |



Isometric View

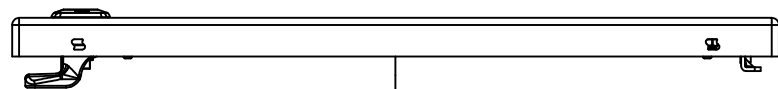


| | | |
|----------------------------------------------------------------------------------------------------------------------------------------------------------------------------------------|-----------------------------------|----------------------------------------------------------------------------------------------------------------------------------------------------------------------------------------------------------------------------------------|
|  Tél: (450) 979-4373 Fax: (450) 979-4626 www.exmweb.com | | Flatness Aplatissement  Max 3.0mm Projection  |
| Customer Client | Date | |
| Drawn By Dessiné Par | BoxCad: BoxCad | Date 20-Jan-13 |
| Material Matière | 16 Ga Stainless Steel 304 (1.4mm) | |
| Color Couleur | Asa-61 Grey | Finish Fini Smooth |
| Description | Detail Rev. | |
| 5412ESSP 16" x 16" x 8" Body | | |
| Part Number Numéro Pièce | Rev. | 7 |
| 5412ESSP161608B | 0 | 7 |

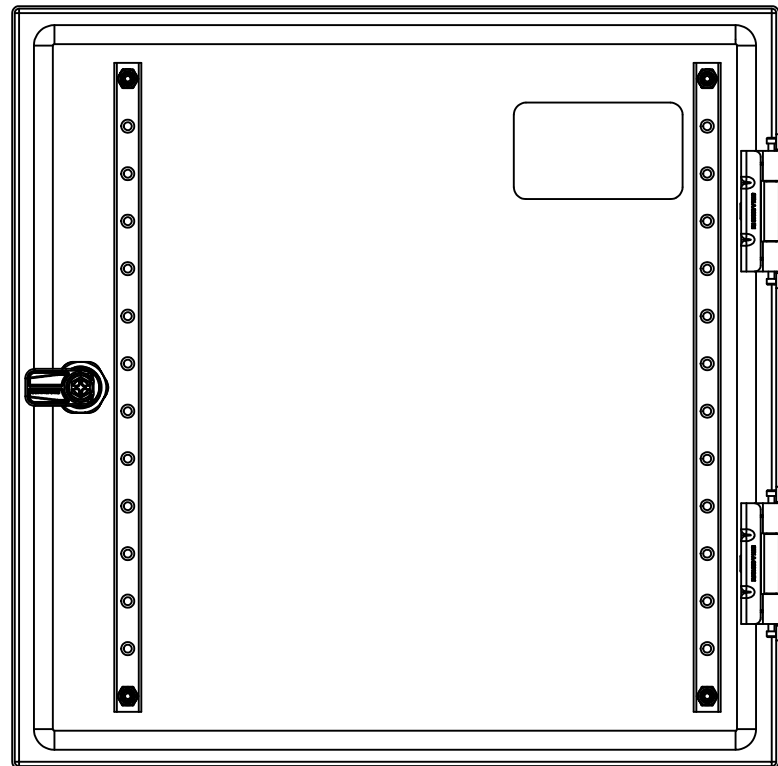
| Qty | Part Number | Rev | Description |
|------------|-------------------|-----|---------------------------------------|
| 1 | STK-Q-16085 | 0 | Ground Stud M6 x 16mm Stainless Steel |
| 1 | STK-P-02400S | 0 | Powder Paint (Asa-61 Grey / Smooth) |
| 4 | STK-Q-16020 | 1 | Stud M8 x 35mm Stainless Steel |
| 1 | 5412ESSP161608B-P | 0 | 5412ESSP 16" x 16" x 8" Body Part |
| Parts List | | | |

This drawing is confidential and must not be reproduced or used without the consent of EXM

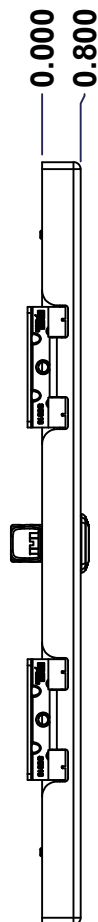
Ce dessin est confidentiel et ne doit pas être reproduit ou utilisé sans le consentement de EXM



TOP

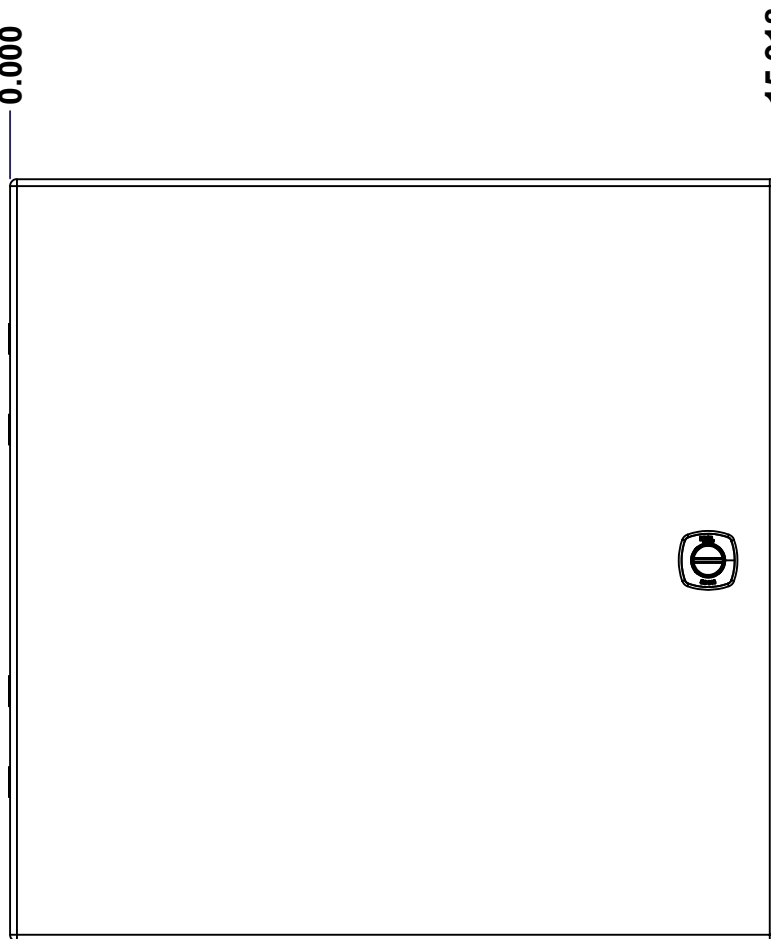


BACK



LEFT

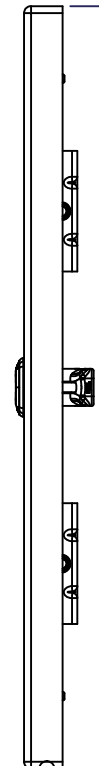
0.000
0.800



FRONT

0.000

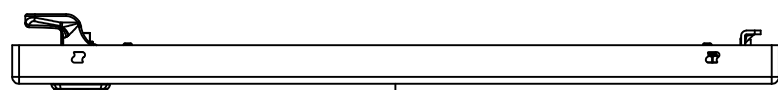
15.918



RIGHT

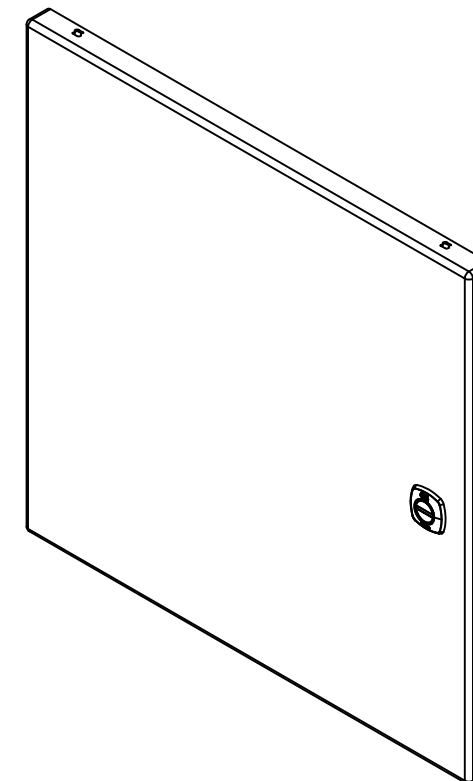
15.803

0.000



BOTTOM

| No. | Revisions | Date | By/Par |
|-----|-----------|------|--------|
| | | | |
| | | | |
| | | | |
| | | | |



Isometric View

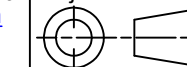


Tél: (450) 979-4373
Fax: (450) 979-4626
www.exmweb.com

Flatness
Aplatissement

Max 3.0mm

Projection



| | |
|-------------------------------------------------------|-----------------------|
| Customer Client | Date |
| Drawn By / Dessiné Par: BoxCad: BoxCad | Date: 20-Jan-13 |
| Material / Matière: 16 Ga Stainless Steel 304 (1.4mm) | |
| Color / Couleur: Asa-61 Grey | Finish / Fini: Smooth |
| Description: 5412ESSP 16" x 16" Cover | |
| Detail Rev. | |
| Part Number / Numéro Pièce: 5412ESSP161608C | Rev. 0 |
| | 1 / 3 |

SEE BILL OF MATERIAL ON LAST PAGE

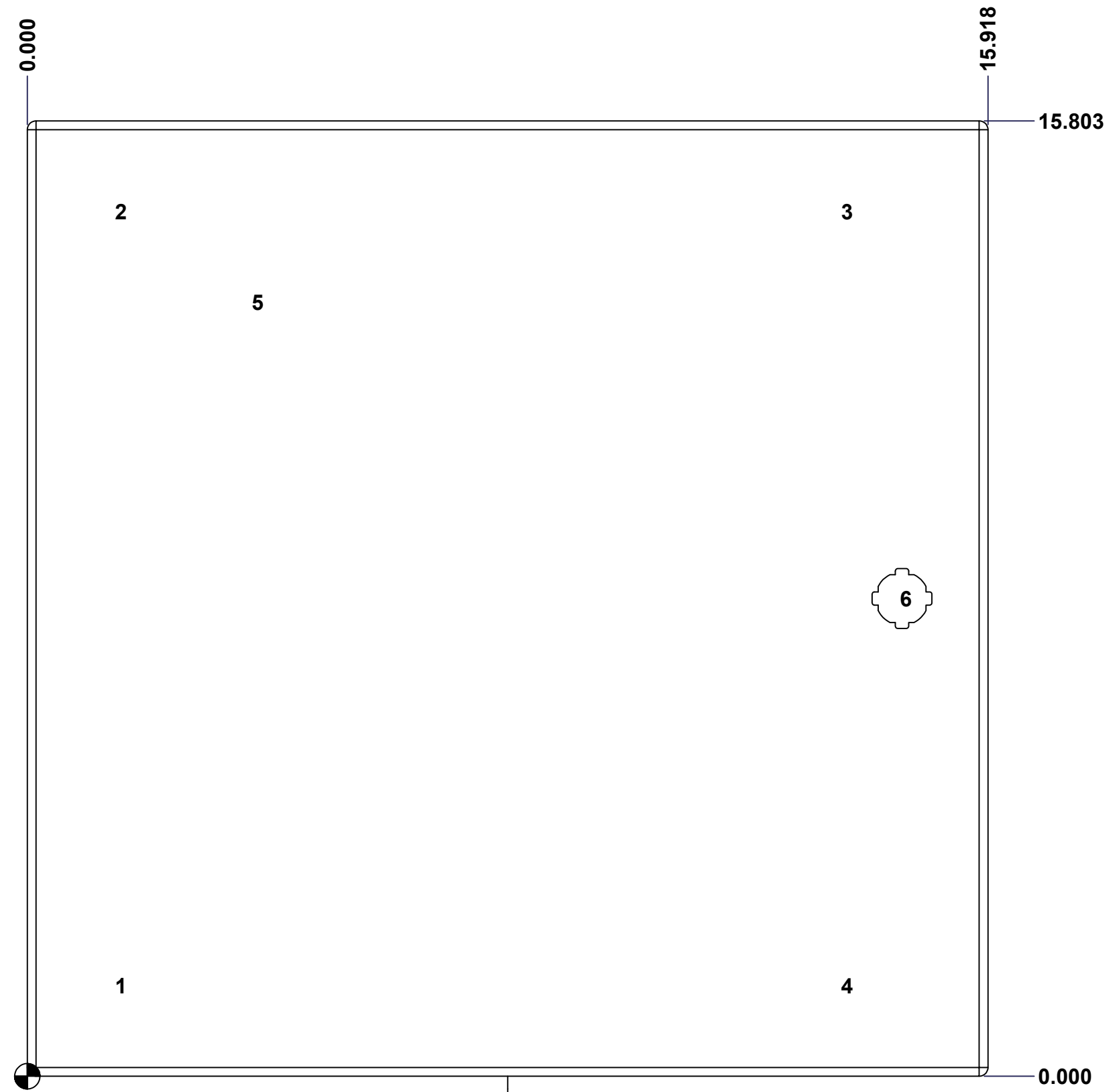
This drawing is confidential and must not be reproduced or used without the consent of EXM

Ce dessin est confidentiel et ne doit pas être reproduit ou utilisé sans le consentement de EXM

STANDARD FEATURES ARE NOT LISTED IN THIS HOLE TABLE

HOLE TABLE - FRONT VIEW (CUSTOM FEATURE ONLY)

| CUT-OUT | XDIM | YDIM | DESCRIPTION |
|---------|--------|--------|----------------------------|
| 1 | 1.486 | 1.504 | STUD M6 x 18mm (Inside) |
| 2 | 1.486 | 14.299 | STUD M6 x 18mm (Inside) |
| 3 | 13.517 | 14.299 | STUD M6 x 18mm (Inside) |
| 4 | 13.517 | 1.504 | STUD M6 x 18mm (Inside) |
| ----- | | | |
| 5 | 3.750 | 12.803 | LABEL_EXM (Inside) |
| 6 | 14.494 | 7.902 | LOCK 880 SCQ4-SLSS6 @ 0.0° |



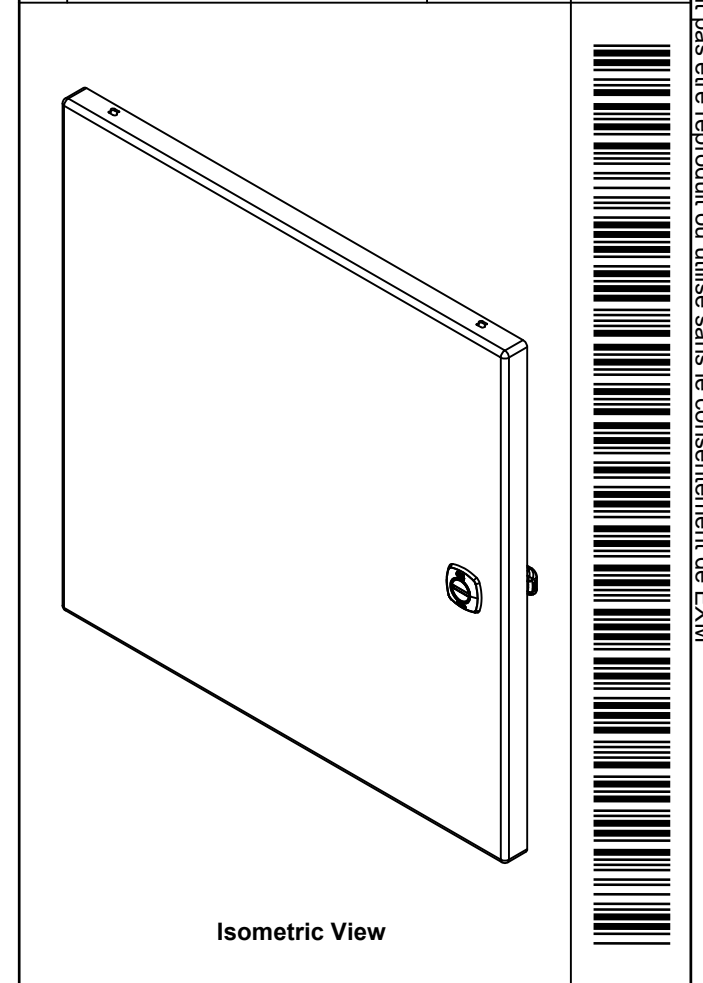
FRONT

| | | | |
|--|-----------------------------|----------|--------|
| | Description | Status | |
| | 5412ESSP 16" x 16" Cover | (NULL) | |
| | Part Number Numéro Pièce | Rev. | |
| | 5412ESSP161608C | 0 | 2 3 |

This drawing is confidential and must not be reproduced or used without the consent of EXM

Ce dessin est confidentiel et ne doit pas être reproduit ou utilisé sans le consentement de EXM

| No. | Revisions | Date | By/Par |
|-----|-----------|------|--------|
| | | | |
| | | | |
| | | | |
| | | | |
| | | | |



EXM
www.exm.com

Tél: (450) 979-4373
Fax: (450) 979-4626
www.exmweb.com

Flatness
Aplatissement
Max 3.0mm

Projection

Customer Client _____ Date _____
 Drawn By Dessiné Par BoxCad: BoxCad Date 20-Jan-13

Material Matière 16 Ga Stainless Steel 304 (1.4mm)

Color Couleur Asa-61 Grey Finish Fini Smooth

Description 5412ESSP 16" x 16" Cover Detail Rev. _____

Part Number Numéro Pièce **5412ESSP161608C** Rev. 3
0 3

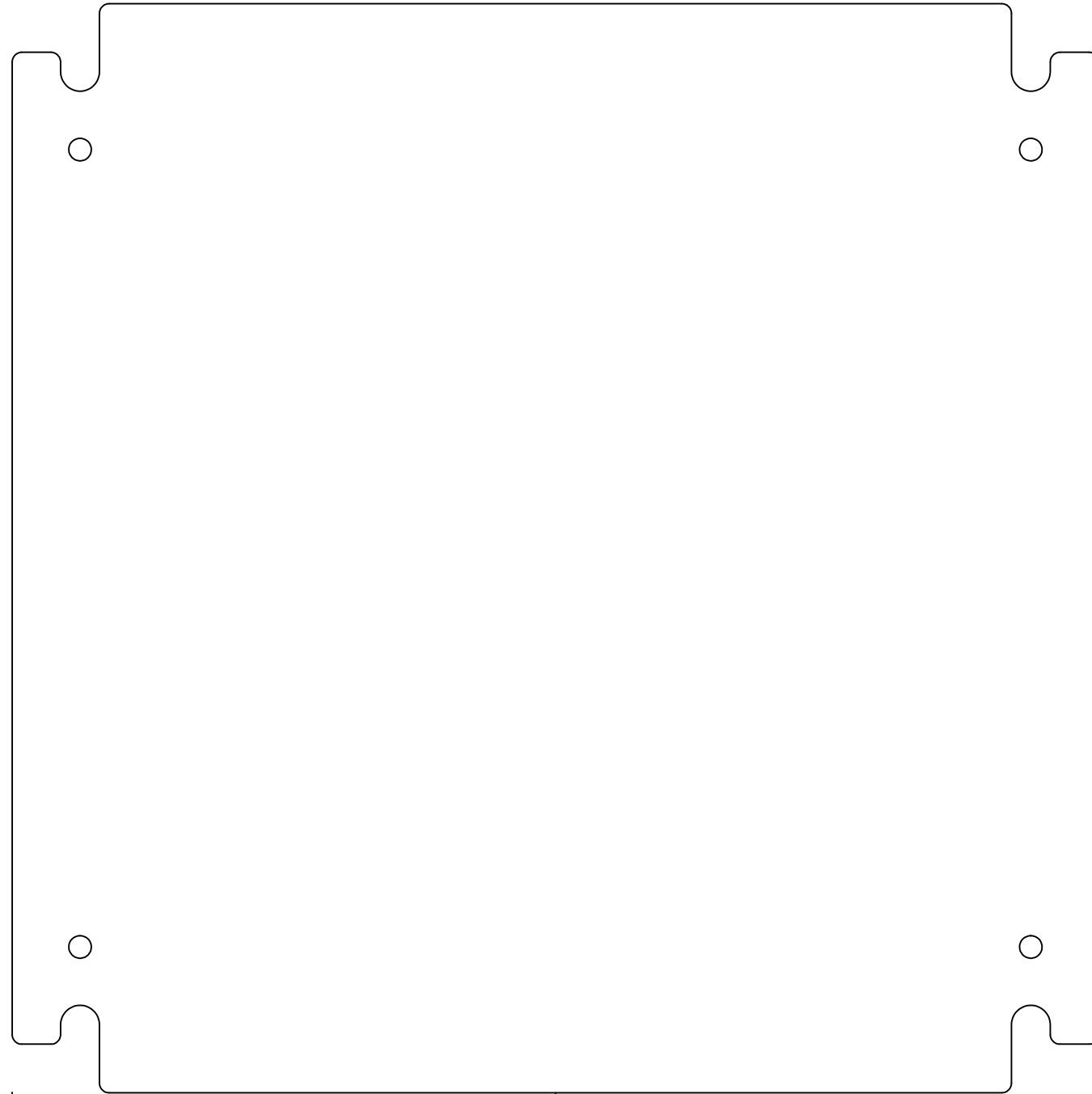
| Qty | Part Name | Rev | Description |
|------------|-------------------|-----|----------------------------------------|
| 1 | 880 SCQ4-SLSS6 | 7 | 5412 ESS 1/4 Turn Lock |
| 1 | STK-S-00100 | 0 | 3.5" x 2" Silver Milar Flexcon Sticker |
| 1 | STK-P-02400S | 0 | Powder Paint (Asa-61 Grey / Smooth) |
| 2 | STK-Q-46020-16 | 5 | 5412 ES Vertical Door Stiffener 16" |
| 4 | STK-Q-16070 | 1 | Stud M6 x 18mm Stainless steel |
| 1 | 5412ESSP161608G | 0 | 5412ESSP 16" x 16" Cover Gasket Part |
| 1 | 5412ESSP161608C-P | 0 | 5412ESSP 16" x 16" Cover Part |
| 2 | STK-A-33016 | 0 | 5412 ESS Bended Hinge (Body Part) |
| 4 | STK-Q-07220 | 1 | M6 Nylon Insert Lock Nut |
| Parts List | | | |

This drawing is confidential and must not be reproduced or used without the consent of EXM

Ce dessin est confidentiel et ne doit pas être reproduit ou utilisé sans le consentement de EXM



TOP



FRONT

14.000

0.000

RIGHT

| No. | Revisions | Date | By/Par |
|-----|-----------|------|--------|
| | | | |
| | | | |
| | | | |
| | | | |
| | | | |

Isometric View

| | | |
|--------------------------------------------------------------|---------------|----------------------------------------------------------|
| Tél: (450) 979-4373 Fax: (450) 979-4626 www.exmweb.com | | Flatness Aplatissement Max 3.0mm Projection |
| Customer Client | Date | |
| Drawn By Dessiné Par | BoxCad | Date 1/23/2007 |
| Material Matière | See Part List | |
| Color Couleur | See Part List | Finish Fini See Part List |
| Description | | Detail Rev. |
| 881 SP - Inner Panel | | |
| Part Number Numéro Pièce | 881 SP1616G | Rev. 1 0 |

| Qty | Part Number | Rev | Description | Material | Color | Finish |
|-----|---------------|-----|---------------------------|------------------|-----------|------------|
| 1 | 881 SP1616G-P | 0 | 881 SP - Inner Panel Part | 12 Ga Galvanized | Unpainted | Galvanized |

Parts List

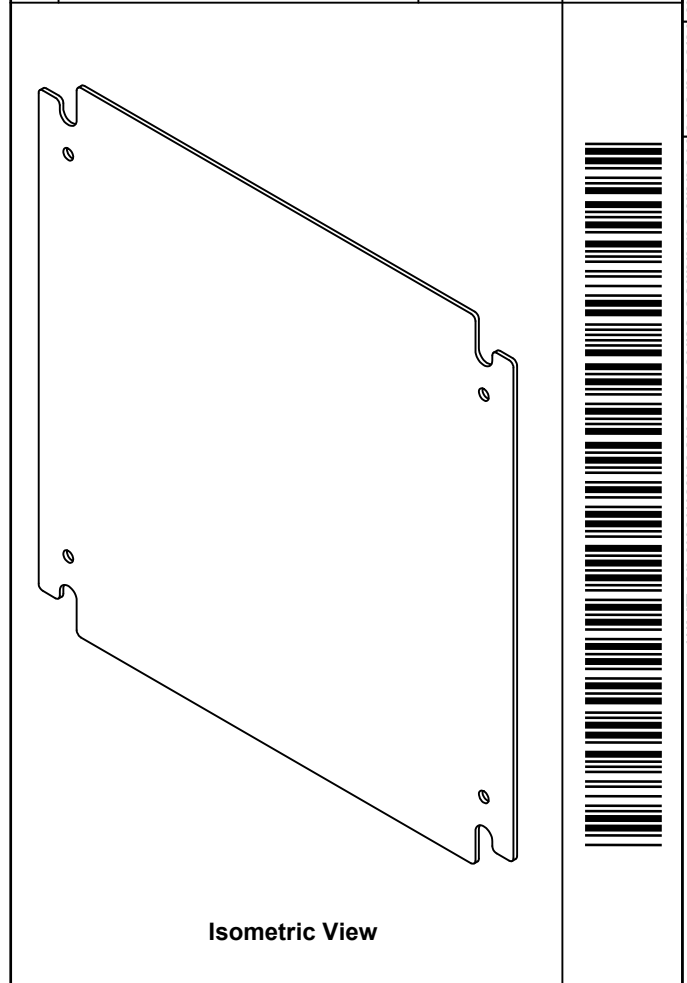
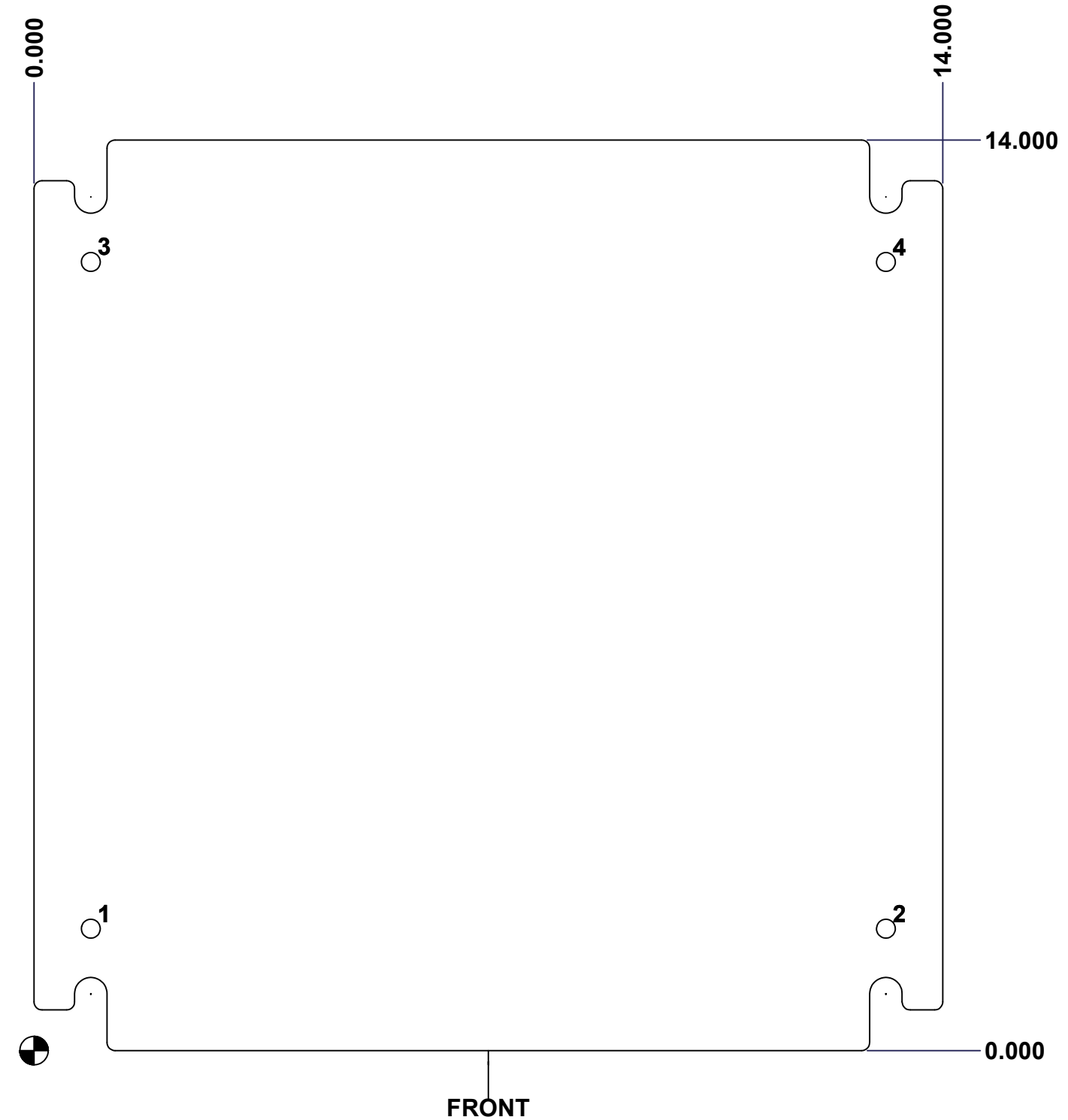
This drawing is confidential and must not be reproduced or used without the consent of EXM


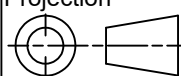
Ce dessin est confidentiel et ne doit pas être reproduit ou utilisé sans le consentement de EXM

| Table 1 | | | FRONT VIEW |
|---------|--------|--------|--------------------------|
| CUT-OUT | XDIM | YDIM | DESCRIPTION |
| 1 | 0.875 | 1.875 | GROUND HOLE (RND Ø0.290) |
| 2 | 13.125 | 1.875 | GROUND HOLE (RND Ø0.290) |
| 3 | 0.875 | 12.125 | GROUND HOLE (RND Ø0.290) |
| 4 | 13.125 | 12.125 | GROUND HOLE (RND Ø0.290) |

All knockouts are actual size / Les disques défonçables sont grandeur réel

| No. | Revisions | Date | By/Par |
|-----|-----------|------|--------|
| | | | |
| | | | |
| | | | |
| | | | |
| | | | |
| | | | |



| | |
|----------------------------------------------------------------------------------------------------------------------------------------------------|-----------------------------------------------------------------------------------------------------|
|  Tél: (450) 979-4373 Fax: (450) 979-4626 www.exmweb.com | Flatness Aplatissement Max 3.0mm |
| | Projection  |
| Customer Client | Date |
| Drawn By Dessiné Par BoxCad | Date 1/23/2007 |
| Material Matière See Part List | |
| Color Couleur See Part List | Finish Fini See Part List |
| Description 881 SP - Inner Panel | |
| Detail Rev. | |
| Part Number Numéro Pièce 881 SP1616G | Rev. 2 0 |