

This drawing is confidential and must not be reproduced or used without the consent of EXM

Ce dessin est confidentiel et ne doit pas être reproduit ou utilisé sans le consentement de EXM



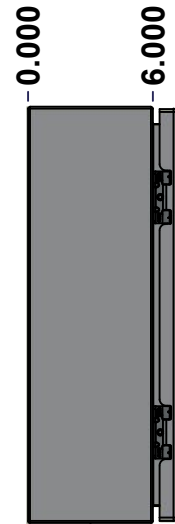
TOP



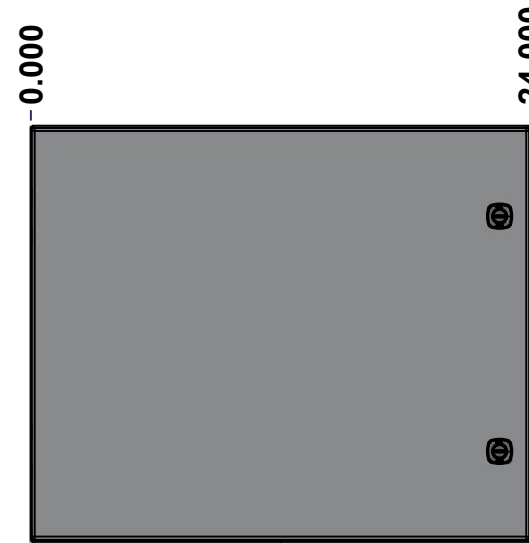
BACK



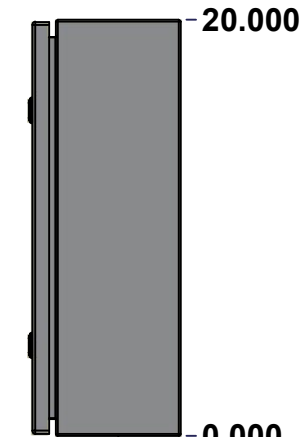
BOTTOM



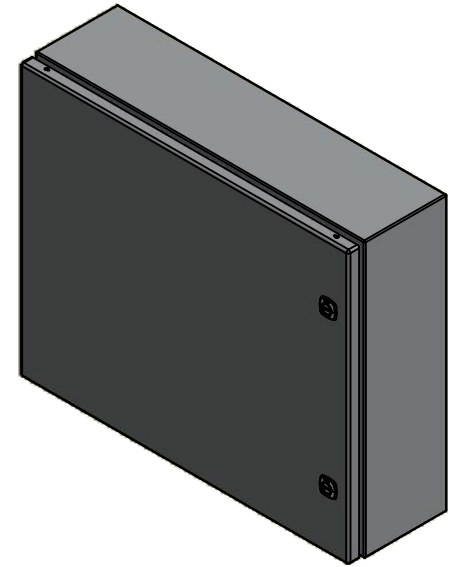
LEFT



FRONT




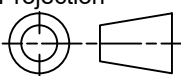
RIGHT



Isometric View



| No. | Revisions | Date | By/Par |
|-----|-----------|------|--------|
|     |           |      |        |
|     |           |      |        |
|     |           |      |        |
|     |           |      |        |

|  |                                   |   |
|--|-----------------------------------|---|
|  Tél: (450) 979-4373<br>Fax: (450) 979-4626<br><a href="http://www.exmweb.com">www.exmweb.com</a> |                                   | Flatness<br>Aplatissement<br>Max 3.0mm<br>Projection<br> |
| Customer Client  | Date                              |   |
| Drawn By<br>Dessiné Par  | BoxCad: BoxCad                    | Date 6/30/2022  |
| Material<br>Matière  | 16 Ga Stainless Steel 316 (1.4mm) |   |
| Color<br>Couleur   | Asa-61 Grey                       | Finish<br>Fini Smooth   |
| Description  | Detail Rev.                       |   |
| 5412ESSP 20" x 24" x 6" Assembly   |                                   |   |
| Part Number<br>Numéro Pièce  | Rev.                              | 1   |
| SEE BILL OF MATERIAL ON LAST PAGE  | 5412ESSP2024066NOIP               | 0   |

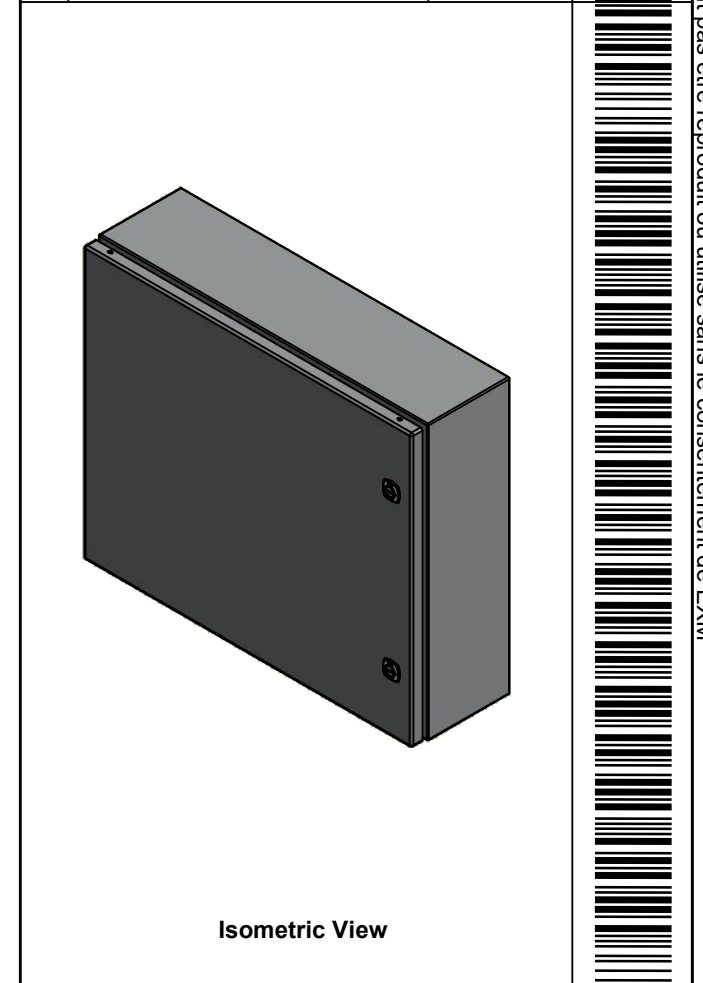
SEE BILL OF MATERIAL ON LAST PAGE **5412ESSP2024066NOIP** **0** **1** **9**

This drawing is confidential and must not be reproduced or used without the consent of EXM

Ce dessin est confidentiel et ne doit pas être reproduit ou utilisé sans le consentement de EXM

| NOTE |  |
|------|--|
| ITEM | DESCRIPTION                                |
| 1    | NEMA 4X Enclosure                          |
| 2    | C/W Standard ground studs on box and cover |
| 3    | C/W Standard door stiffener                |
| 4    | W/O Inner panel                            |
| 5    | C/W Standard inner panel mounting studs    |

| No. | Revisions | Date | By/Par |
|-----|-----------|------|--------|
|     |           |      |        |
|     |           |      |        |
|     |           |      |        |
|     |           |      |        |
|     |           |      |        |
|     |           |      |        |



|   |  |  |
|---|--|--|
|   | Tél: (450) 979-4373<br>Fax: (450) 979-4626<br><a href="http://www.exmweb.com">www.exmweb.com</a> | Flatness<br>Aplatissement<br>Max 3.0mm |
|   |  | Projection<br>                         |
| Customer Client                                       |  | Date                                   |
| Drawn By / Dessiné Par: BoxCad: BoxCad                |  | Date: 6/30/2022                        |
| Material / Matière: 16 Ga Stainless Steel 316 (1.4mm) |  |  |

| PACKING               |     |  |
|-----------------------|-----|--|
| ITEM                  | QTY | DESCRIPTION                                |
| Cardboard sleeve      | 2   | Top and Bottom                             |
| Cardboard strip       | 2   | Between back of enclosure and inner panel  |
| Plastic bag           | 1   | To protect cover surface and inside gasket |
| Plastic strap - Black | 2   | To Squeeze the 2 cardboard sleeve together |
| Packaging label       | 1   | White label with product number            |

|            |                      |     |  |
|------------|----------------------|-----|--|
| 1          | 880 PP               | 6   | Self Adhesive Print Pocket   |
| 1          | STK-K-01800          | 5   | 5412 ES Accessory Kit  |
| 1          | 5412ESSP2024066NOIPC | 0   | 5412ESSP 20" x 24" Cover   |
| 1          | 5412ESSP2024066NOIPB | 0   | 5412ESSP 20" x 24" x 6" Body   |
| 2          | STK-Q-04051-07       | 8   | M6 x 7mm Stainless Steel Hexagon Socket Head Machine Screw with Nyseal |
| Qty        | Part Number          | Rev | Description  |
| Parts List |                      |     |  |

|  |                       |
|--|-----------------------|
| Color / Couleur: Asa-61 Grey                           | Finish / Fini: Smooth |
| Description: 5412ESSP 20" x 24" x 6" Assembly          |                       |
| Part Number / Numéro Pièce: <b>5412ESSP2024066NOIP</b> | Rev. 0                |
|  | 2 / 9                 |

This drawing is confidential and must not be reproduced or used without the consent of EXM

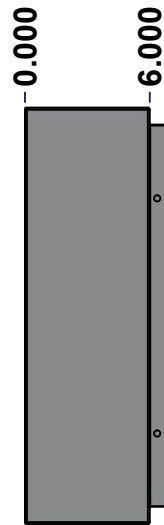
Ce dessin est confidentiel et ne doit pas être reproduit ou utilisé sans le consentement de EXM



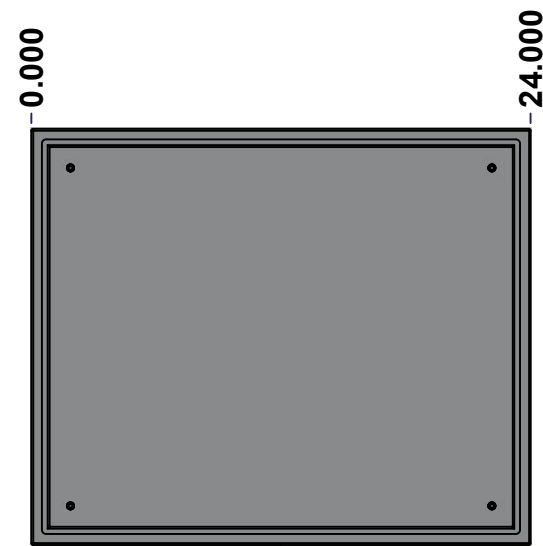
TOP



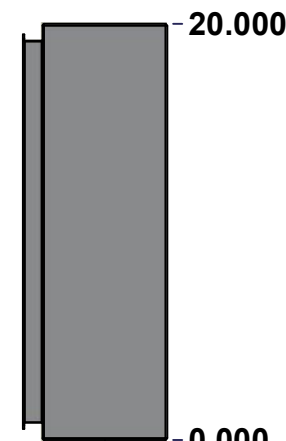
BACK



LEFT



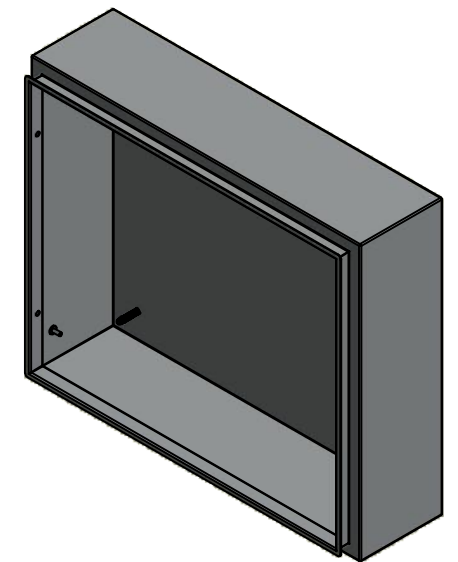
FRONT



RIGHT



BOTTOM



Isometric View

| No. | Revisions | Date | By/Par |
|-----|-----------|------|--------|
|     |           |      |        |
|     |           |      |        |
|     |           |      |        |
|     |           |      |        |
|     |           |      |        |



Tél: (450) 979-4373  
 Fax: (450) 979-4626  
[www.exmweb.com](http://www.exmweb.com)

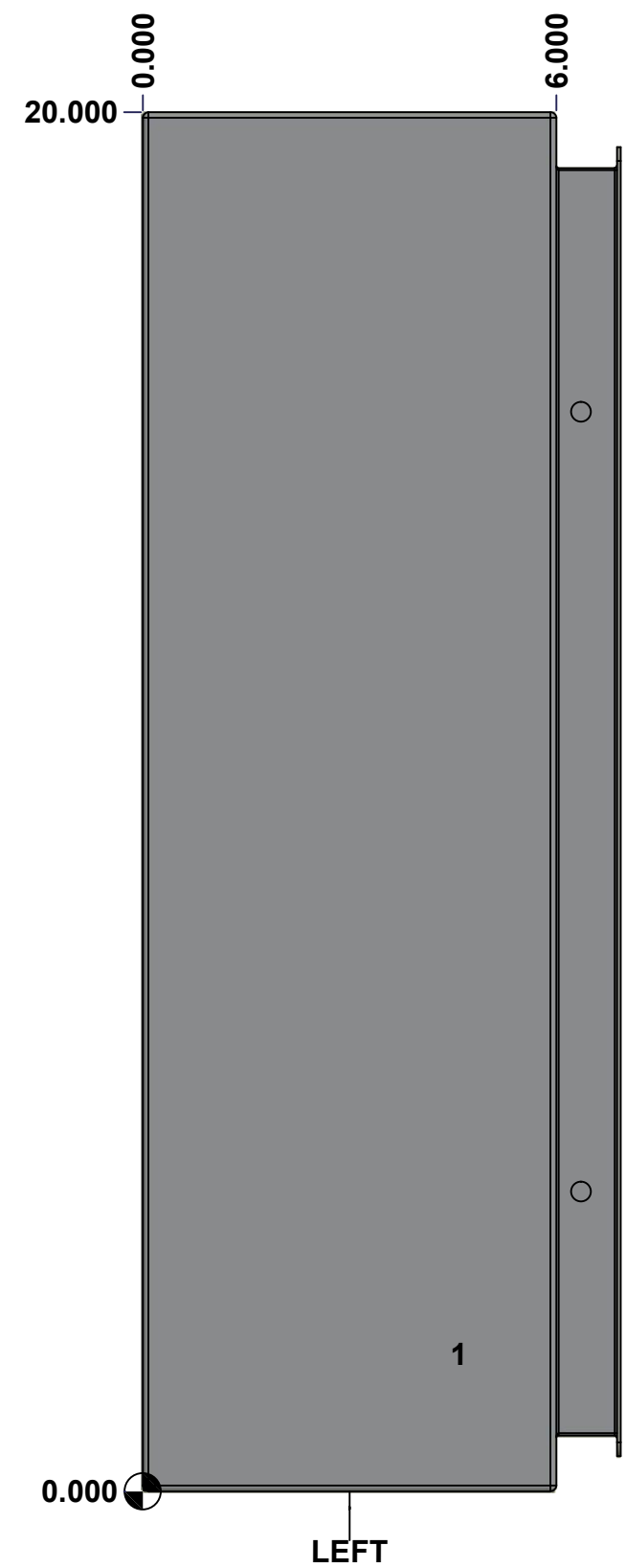
Flatness  
Aplatissement  
Max 3.0mm  
Projection

|   |                       |
|---|-----------------------|
| Customer Client   | Date                  |
| Drawn By<br>Dessiné Par BoxCad: BoxCad                        | Date 6/30/2022        |
| Material<br>Matière 16 Ga Stainless Steel 316 (1.4mm)         |                       |
| Color<br>Couleur Asa-61 Grey                                  | Finish<br>Fini Smooth |
| Description<br>5412ESSP 20" x 24" x 6" Body                   | Detail Rev.           |
| Part Number<br>Numéro Pièce                                   | Rev. 3                |
| <b>SEE BILL OF MATERIAL ON LAST PAGE 5412ESSP2024066NOIPB</b> | <b>0</b>              |

This drawing is confidential and must not be reproduced or used without the consent of EXM

Ce dessin est confidentiel et ne doit pas être reproduit ou utilisé sans le consentement de EXM

| <b>STANDARD FEATURES ARE NOT LISTED IN THIS HOLE TABLE</b> |       |       |                             |
|--|-------|-------|-----------------------------|
| <b>HOLE TABLE - LEFT VIEW (CUSTOM FEATURE ONLY)</b>        |       |       |                             |
| CUT-OUT  | XDIM  | YDIM  | DESCRIPTION                 |
| 1  | 4.500 | 2.000 | GND STUD M6 x 16mm (Inside) |

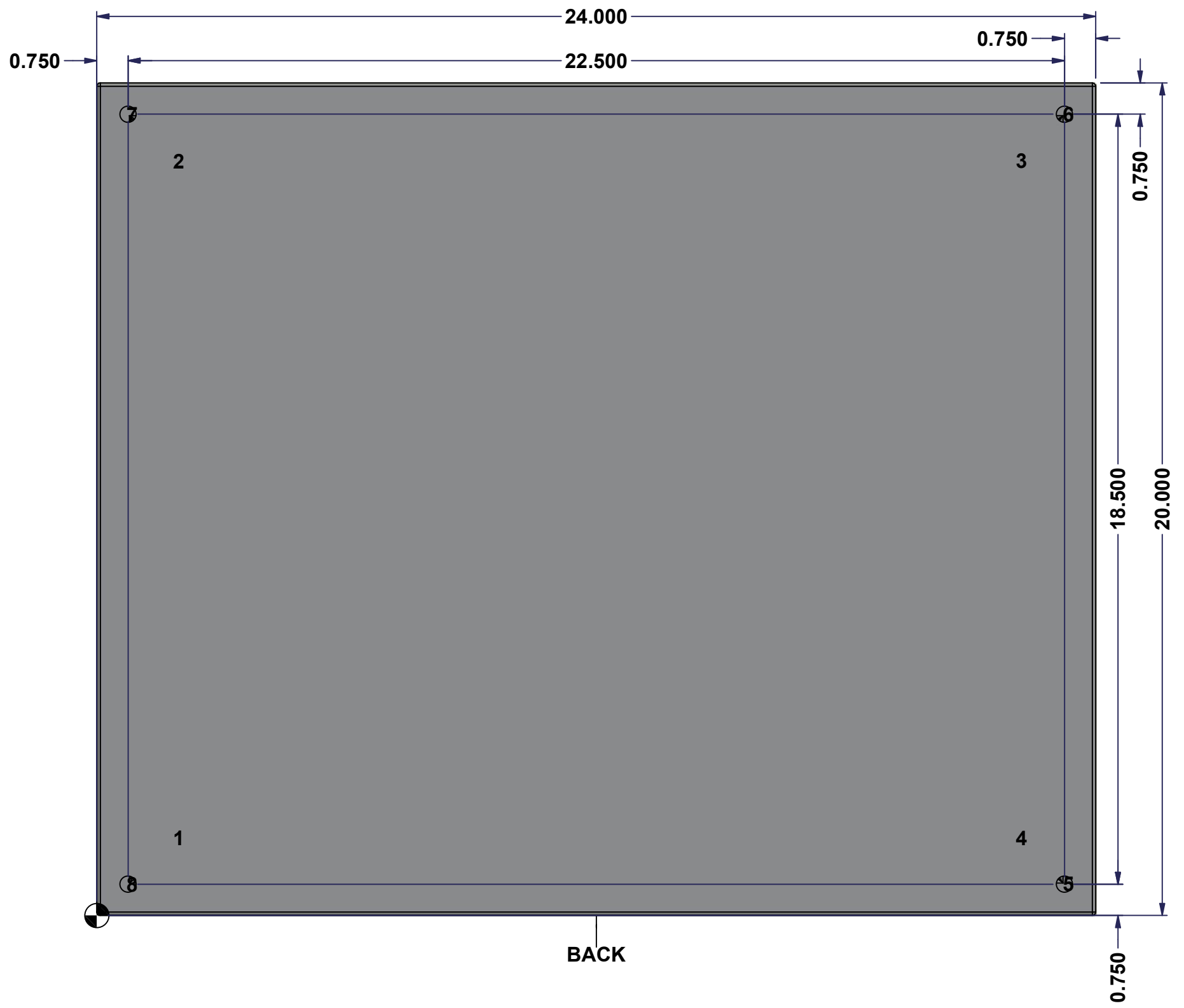


|  |                              |                   |
|--|------------------------------|-------------------|
|  | Description                  | Status            |
|  | 5412ESSP 20" x 24" x 6" Body | (NULL)            |
|  | Part Number<br>Numéro Pièce  | Rev.              |
|  | <b>5412ESSP2024066NOIPB</b>  | <b>0</b> / 4<br>9 |

This drawing is confidential and must not be reproduced or used without the consent of EXM

Ce dessin est confidentiel et ne doit pas être reproduit ou utilisé sans le consentement de EXM

| STANDARD FEATURES ARE NOT LISTED IN THIS HOLE TABLE |        |        |                            |
|---|--------|--------|----------------------------|
| HOLE TABLE - BACK VIEW (CUSTOM FEATURE ONLY)        |        |        |                            |
| CUT-OUT   | XDIM   | YDIM   | DESCRIPTION                |
| 1   | 1.875  | 1.875  | IP STUD M8 x 35mm (Inside) |
| 2   | 1.875  | 18.125 | IP STUD M8 x 35mm (Inside) |
| 3   | 22.125 | 18.125 | IP STUD M8 x 35mm (Inside) |
| 4   | 22.125 | 1.875  | IP STUD M8 x 35mm (Inside) |
| -----   |        |        |                            |
| 5   | 23.250 | 0.750  | RND Ø0.390                 |
| 6   | 23.250 | 19.250 | RND Ø0.390                 |
| 7   | 0.750  | 19.250 | RND Ø0.390                 |
| 8   | 0.750  | 0.750  | RND Ø0.390                 |

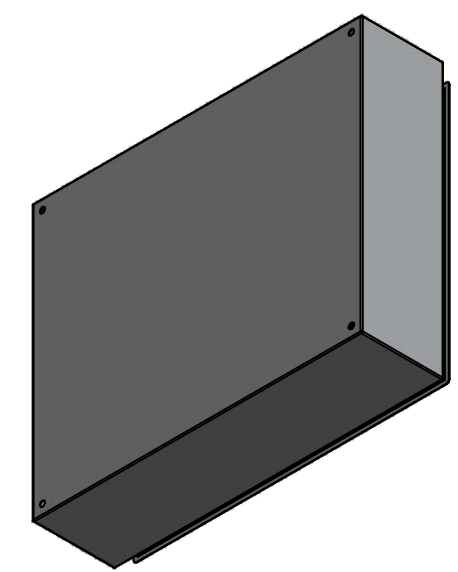


|  |                              |                  |
|--|------------------------------|------------------|
|  | Description                  | Status           |
|  | 5412ESSP 20" x 24" x 6" Body | (NULL)           |
|  | Part Number<br>Numéro Pièce  | Rev.             |
|  | <b>5412ESSP2024066NOIPB</b>  | <b>0</b> / 5 / 9 |

This drawing is confidential and must not be reproduced or used without the consent of EXM


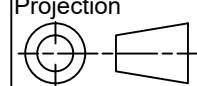
Ce dessin est confidentiel et ne doit pas être reproduit ou utilisé sans le consentement de EXM

| No. | Revisions | Date | By/Par |
|-----|-----------|------|--------|
|     |           |      |        |
|     |           |      |        |
|     |           |      |        |
|     |           |      |        |
|     |           |      |        |



Isometric View



|  |   |
|--|---|
|  Tél: (450) 979-4373<br>Fax: (450) 979-4626<br><a href="http://www.exmweb.com">www.exmweb.com</a> | Flatness<br>Aplatissement<br>Max 3.0mm  |
|  | Projection<br> |
| Customer Client  | Date  |
| Drawn By<br>Dessiné Par BoxCad: BoxCad   | Date 6/30/2022  |
| Material<br>Matière 16 Ga Stainless Steel 316 (1.4mm)  |   |
| Color<br>Couleur Asa-61 Grey   | Finish<br>Fini Smooth   |
| Description<br>5412ESSP 20" x 24" x 6" Body  |   |
| Part Number<br>Numéro Pièce<br><b>5412ESSP2024066NOIPB</b>   | Rev. 6<br><b>0</b>  |

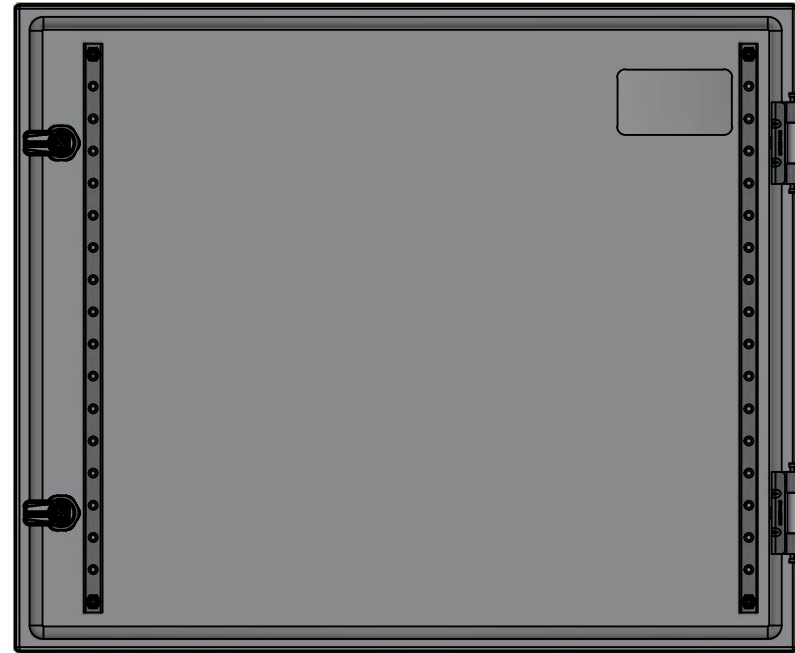
| Qty        | Part Number                | Rev | Description                           |
|------------|----------------------------|-----|---------------------------------------|
| 1          | STK-Q-16085                | 0   | Ground Stud M6 x 16mm Stainless Steel |
| 1          | STK-P-02400S               | 0   | Powder Paint (Asa-61 Grey / Smooth)   |
| 4          | STK-Q-16020                | 1   | Stud M8 x 35mm Stainless Steel        |
| 1          | 5412ESSP2024066NOIPB<br>-P | 0   | 5412ESSP 20" x 24" x 6" Body Part     |
| Parts List |                            |     |                                       |

This drawing is confidential and must not be reproduced or used without the consent of EXM

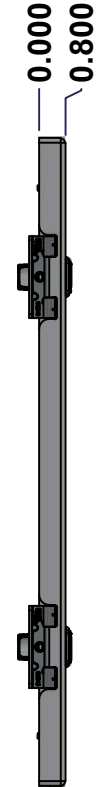
Ce dessin est confidentiel et ne doit pas être reproduit ou utilisé sans le consentement de EXM



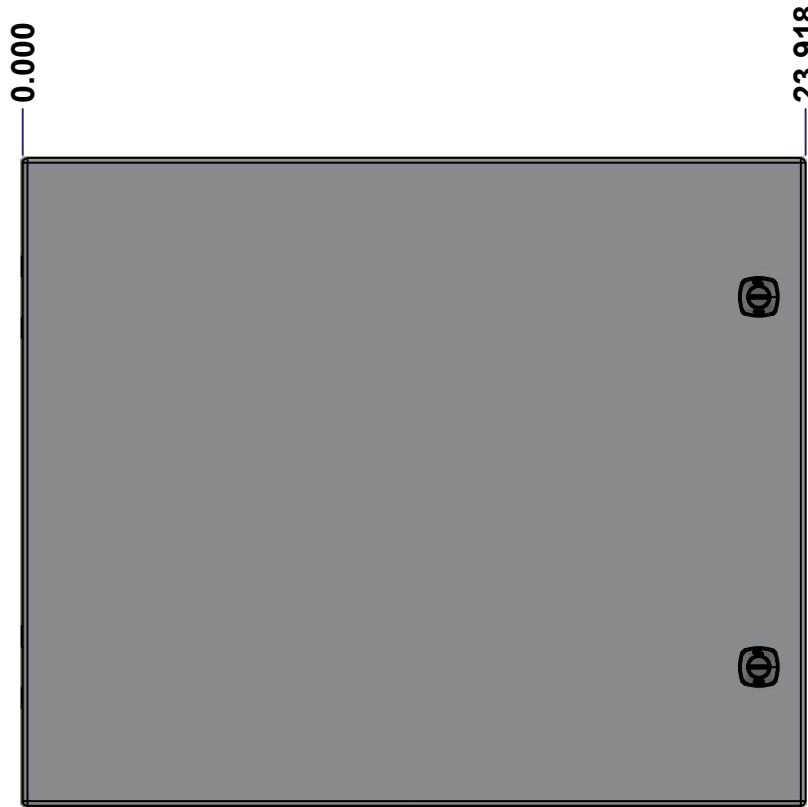
TOP



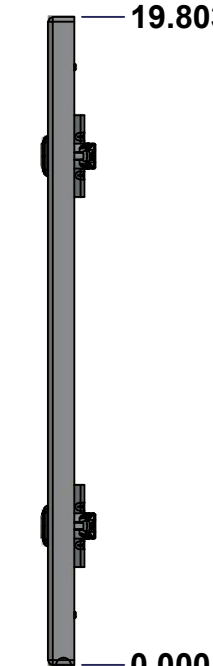
BACK



LEFT



FRONT

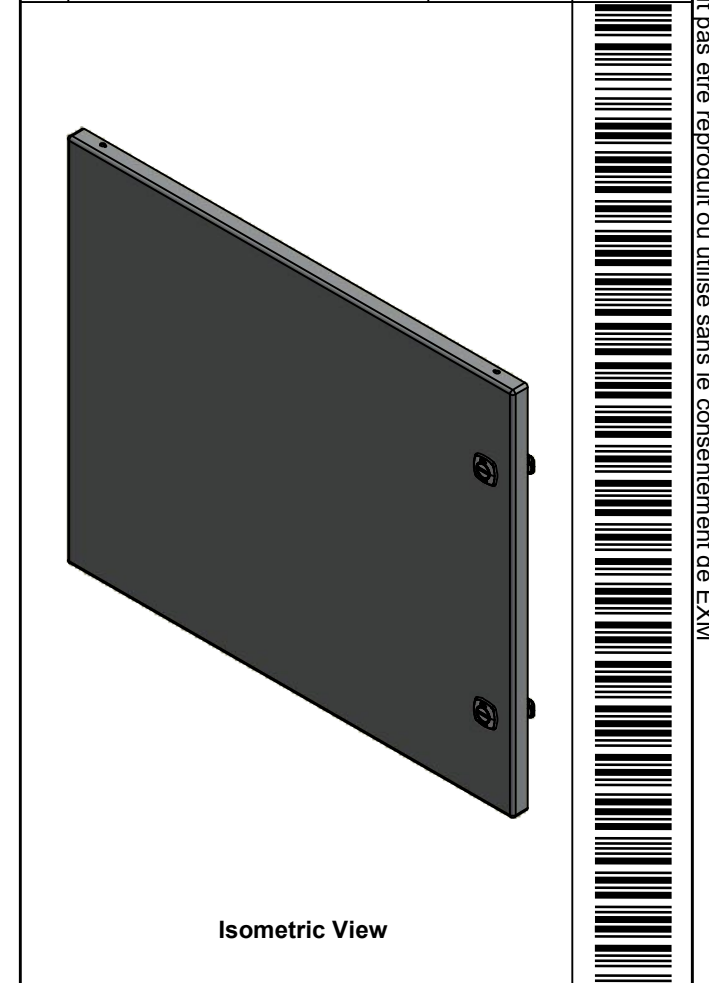



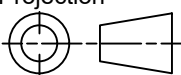
RIGHT



BOTTOM

| No. | Revisions | Date | By/Par |
|-----|-----------|------|--------|
|     |           |      |        |
|     |           |      |        |
|     |           |      |        |
|     |           |      |        |
|     |           |      |        |



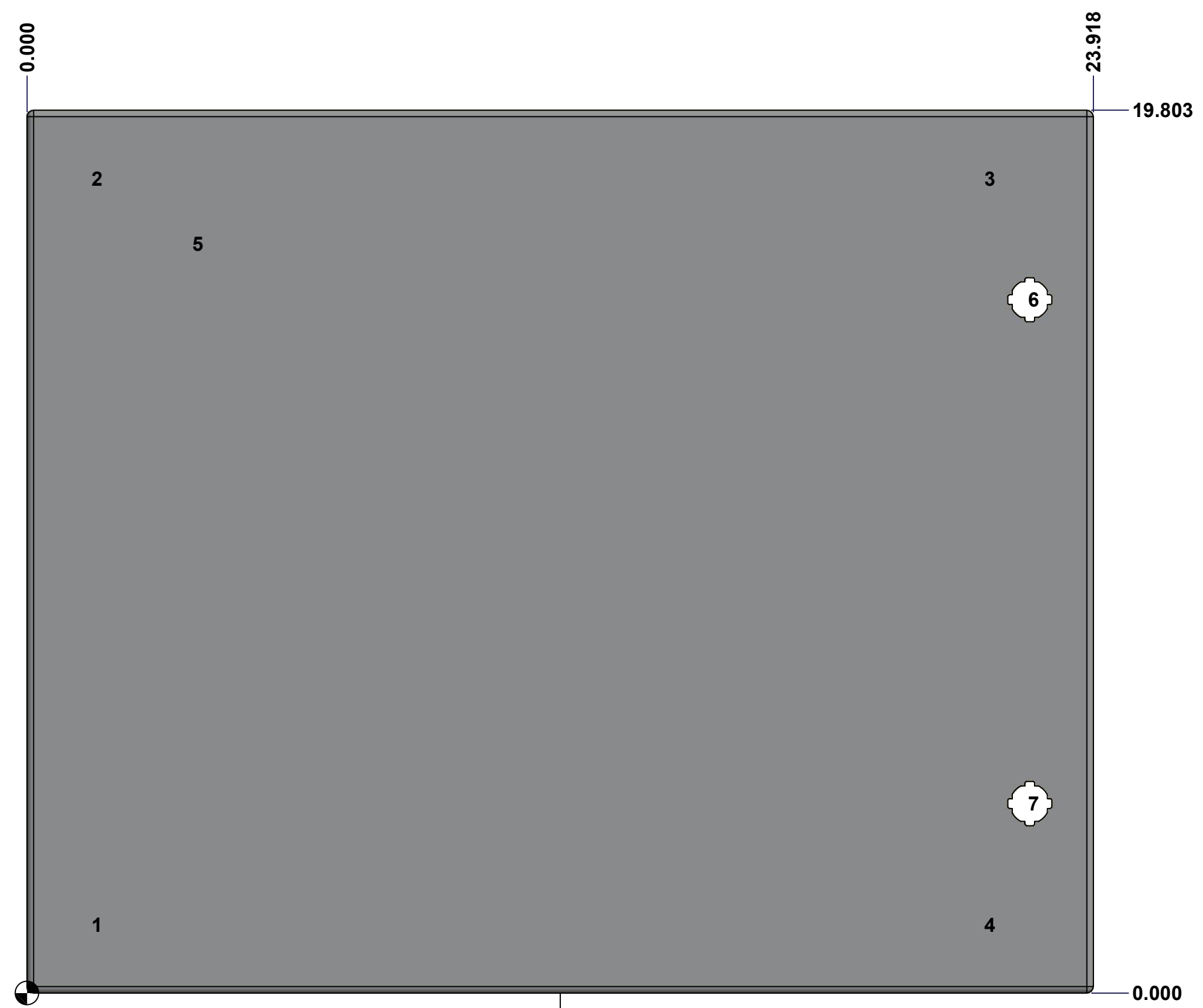
|  |                                   |   |
|--|-----------------------------------|---|
|  Tél: (450) 979-4373<br>Fax: (450) 979-4626<br><a href="http://www.exmweb.com">www.exmweb.com</a> |                                   | Flatness<br>Aplatissement<br>Max 3.0mm<br>Projection<br> |
| Customer Client  | Date                              |   |
| Drawn By<br>Dessiné Par  | BoxCad: BoxCad                    | Date 6/30/2022  |
| Material<br>Matière  | 16 Ga Stainless Steel 316 (1.4mm) |   |
| Color<br>Couleur   | Asa-61 Grey                       | Finish<br>Fini Smooth   |
| Description  | Detail Rev.                       |   |
| 5412ESSP 20" x 24" Cover   |                                   |   |
| Part Number<br>Numéro Pièce  | Rev. 0                            | 7<br>9  |

SEE BILL OF MATERIAL ON LAST PAGE **5412ESSP2024066NOIPC**

This drawing is confidential and must not be reproduced or used without the consent of EXM

Ce dessin est confidentiel et ne doit pas être reproduit ou utilisé sans le consentement de EXM

| STANDARD FEATURES ARE NOT LISTED IN THIS HOLE TABLE |        |        |                            |
|---|--------|--------|----------------------------|
| HOLE TABLE - FRONT VIEW (CUSTOM FEATURE ONLY)       |        |        |                            |
| CUT-OUT   | XDIM   | YDIM   | DESCRIPTION                |
| 1   | 1.486  | 1.535  | STUD M6 x 18mm (Inside)    |
| 2   | 1.486  | 18.268 | STUD M6 x 18mm (Inside)    |
| 3   | 21.517 | 18.268 | STUD M6 x 18mm (Inside)    |
| 4   | 21.517 | 1.535  | STUD M6 x 18mm (Inside)    |
| -----   |        |        |                            |
| 5   | 3.750  | 16.803 | LABEL_EXM (Inside)         |
| 6   | 22.494 | 15.553 | LOCK 880 SCQ4-SLSS6 @ 0.0° |
| 7   | 22.494 | 4.250  | LOCK 880 SCQ4-SLSS6 @ 0.0° |



FRONT

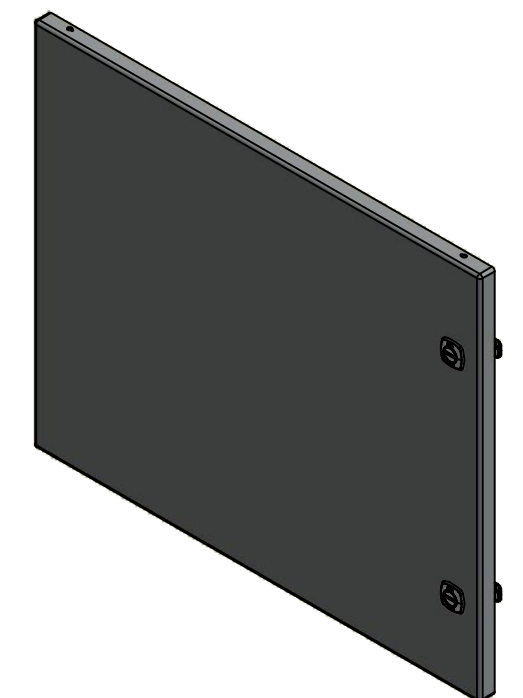
|  |                             |          |
|--|-----------------------------|----------|
|  | Description                 | Status   |
|  | 5412ESSP 20" x 24" Cover    | (NULL)   |
|  | Part Number<br>Numéro Pièce | Rev.     |
|  | <b>5412ESSP2024066NOIPC</b> | <b>0</b> |
|  |                             | 8        |
|  |                             | 9        |



This drawing is confidential and must not be reproduced or used without the consent of EXM

Ce dessin est confidentiel et ne doit pas être reproduit ou utilisé sans le consentement de EXM

| No. | Revisions | Date | By/Par |
|-----|-----------|------|--------|
|     |           |      |        |
|     |           |      |        |
|     |           |      |        |
|     |           |      |        |
|     |           |      |        |



Isometric View




 Tél: (450) 979-4373  
 Fax: (450) 979-4626  
[www.exmweb.com](http://www.exmweb.com)

Flatness / Aplatissement: Max 3.0mm  
 Projection: 

| Qty        | Part Name              | Rev | Description                            |
|------------|------------------------|-----|--|
| 1          | STK-S-00100            | 0   | 3.5" x 2" Silver Milar Flexcon Sticker |
| 1          | STK-P-02400S           | 0   | Powder Paint (Asa-61 Grey / Smooth)    |
| 2          | STK-Q-46020-20         | 5   | 5412 ES Vertical Door Stiffener 20"    |
| 4          | STK-Q-16070            | 1   | Stud M6 x 18mm Stainless steel         |
| 1          | 5412ESSP2024066NOIPG   | 0   | 5412ESSP 20" x 24" Cover Gasket Part   |
| 1          | 5412ESSP2024066NOIPC-P | 0   | 5412ESSP 20" x 24" Cover Part          |
| 2          | STK-A-33016            | 0   | 5412 ESS Bended Hinge (Body Part)      |
| 2          | 880 SCQ4-SLSS6         | 7   | 5412 ESS 1/4 Turn Lock                 |
| 4          | STK-Q-07220            | 1   | M6 Nylon Insert Lock Nut               |
| Parts List |                        |     |  |

|   |                       |
|---|-----------------------|
| Customer Client   | Date                  |
| Drawn By / Dessiné Par: BoxCad: BoxCad                  | Date: 6/30/2022       |
| Material / Matière: 16 Ga Stainless Steel 316 (1.4mm)   |                       |
| Color / Couleur: Asa-61 Grey                            | Finish / Fini: Smooth |
| Description: 5412ESSP 20" x 24" Cover                   | Detail Rev.           |
| Part Number / Numéro Pièce: <b>5412ESSP2024066NOIPC</b> | Rev. <b>0</b>         |