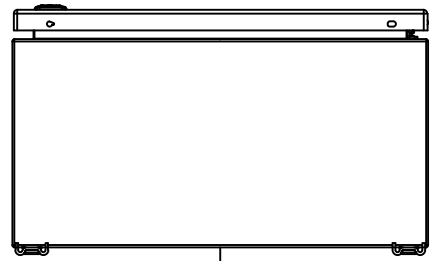
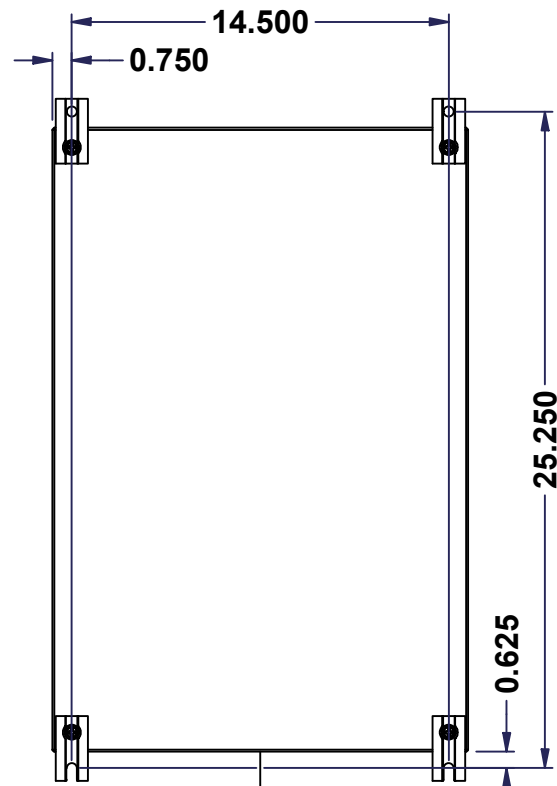


This drawing is confidential and must not be reproduced or used without the consent of EXM

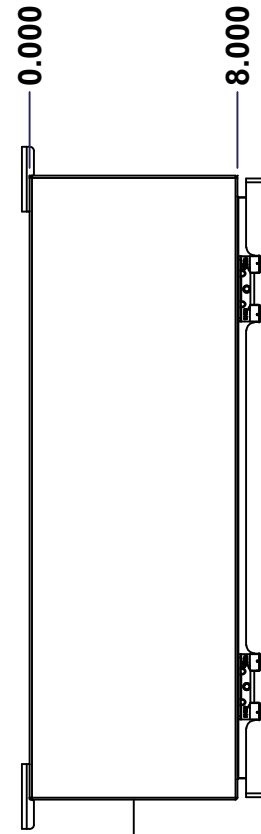
Ce dessin est confidentiel et ne doit pas être reproduit ou utilisé sans le consentement de EXM



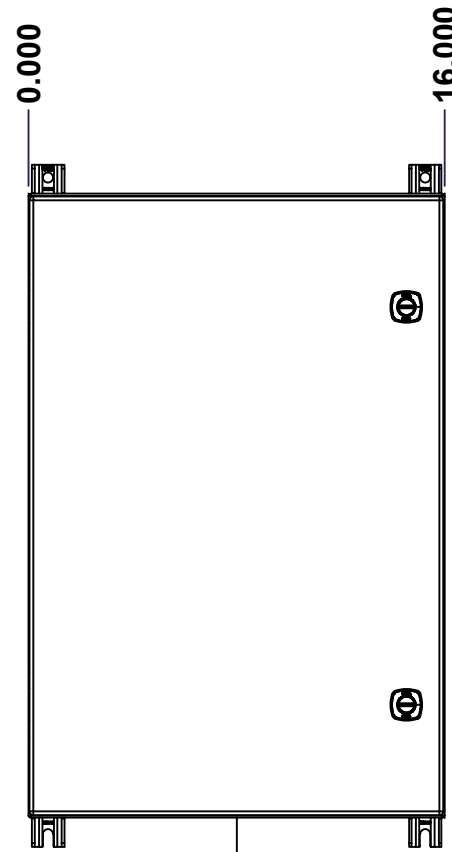
TOP



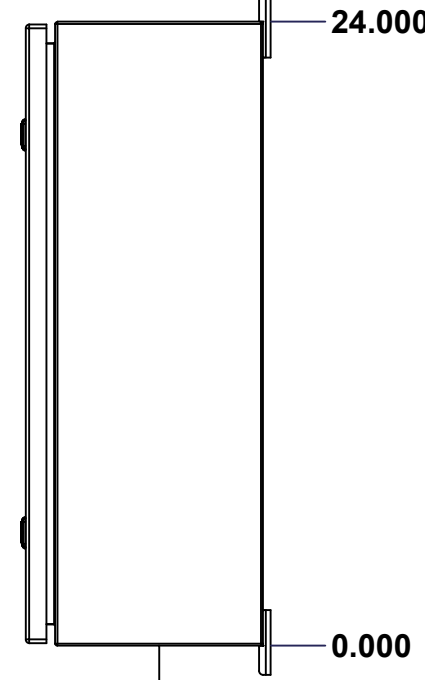
BACK



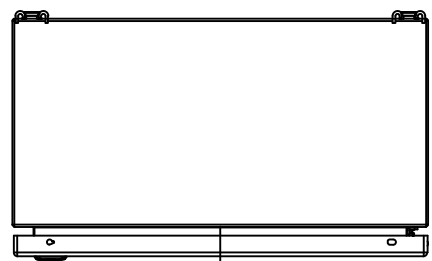
LEFT



FRONT

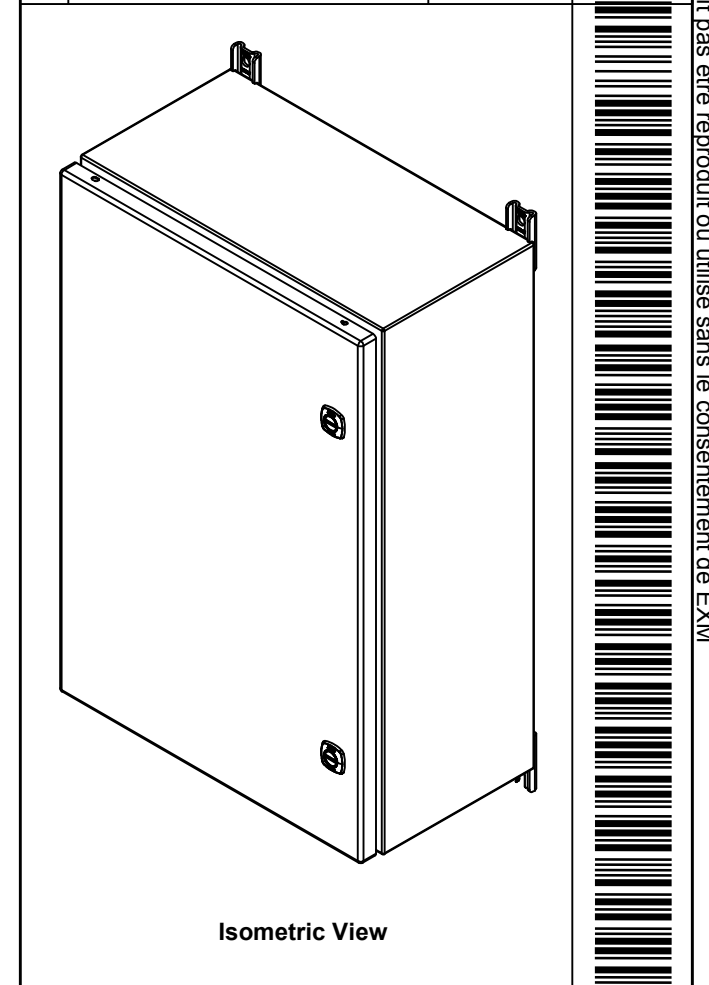


RIGHT





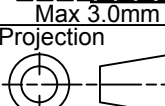
BOTTOM

| No. | Revisions | Date | By/Par |
|-----|-----------|------|--------|
|     |           |      |        |
|     |           |      |        |
|     |           |      |        |
|     |           |      |        |



Isometric View



|  |                                   |   |
|--|-----------------------------------|---|
|  Tél: (450) 979-4373<br>Fax: (450) 979-4626<br><a href="http://www.exmweb.com">www.exmweb.com</a> |                                   | Flatness<br>Aplatissement<br> Max 3.0mm<br>Projection<br> |
| Customer<br>Client   | Date                              |   |
| Drawn By<br>Dessiné Par  | BoxCad: BoxCad                    | Date 20-Apr-23  |
| Material<br>Matière  | 16 Ga Stainless Steel 316 (1.4mm) |   |
| Color<br>Couleur   | Asa-61 Grey                       | Finish<br>Fini Smooth   |
| Description  | Detail Rev.                       |   |
| 5412ESSP 24" x 16" x 8" Assembly   |                                   |   |
| Part Number<br>Numéro Pièce  | Rev. 0                            | 1 / 16  |

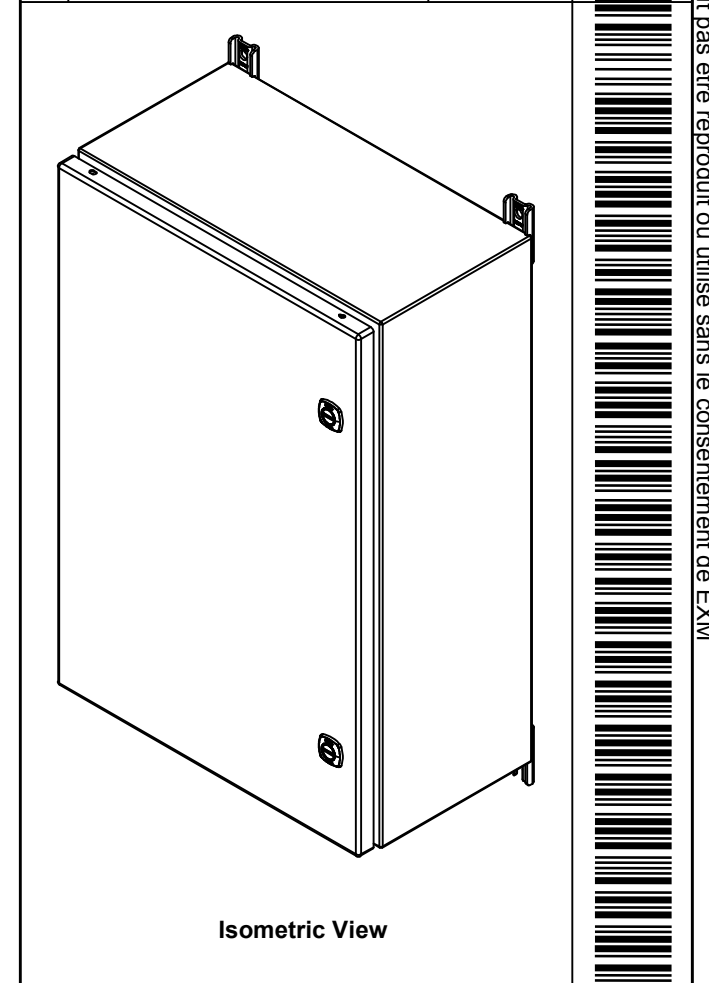
SEE BILL OF MATERIAL ON LAST PAGE 5412ESSP2416086THNOIP

This drawing is confidential and must not be reproduced or used without the consent of EXM

Ce dessin est confidentiel et ne doit pas être reproduit ou utilisé sans le consentement de EXM

| NOTE |   |
|------|---|
| ITEM | DESCRIPTION                                     |
| 1    | NEMA 4X Enclosure                               |
| 2    | C/W Standard ground studs on box and cover      |
| 3    | C/W Standard door stiffener                     |
| 4    | W/O Inner panel                                 |
| 5    | C/W Standard inner panel mounting studs         |
| 6    | C/W 885 ESMF4_OPEN Sold separately (Installed)  |
| 7    | C/W 885 ESMF4_CLOSE Sold separately (Installed) |
| 8    | C/W R5 Insulation (Installed by EXM)            |

| No. | Revisions | Date | By/Par |
|-----|-----------|------|--------|
|     |           |      |        |
|     |           |      |        |
|     |           |      |        |
|     |           |      |        |
|     |           |      |        |
|     |           |      |        |




 Tél: (450) 979-4373  
 Fax: (450) 979-4626  
[www.exmweb.com](http://www.exmweb.com)

Flatness / Aplatissement: Max 3.0mm  
 Projection: 

|  |                 |
|--|-----------------|
| Customer Client                        | Date            |
| Drawn By / Dessiné Par: BoxCad: BoxCad | Date: 20-Apr-23 |

Material / Matière: 16 Ga Stainless Steel 316 (1.4mm)

Color / Couleur: Asa-61 Grey      Finish / Fini: Smooth

Description: 5412ESSP 24" x 16" x 8" Assembly      Detail Rev.

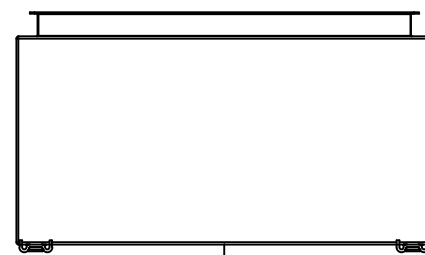
Part Number / Numéro Pièce: **5412ESSP2416086THNOIP**      Rev. **0**

|            |                            |     |  |
|------------|----------------------------|-----|--|
| 4          | STK-Q-00600                | 2   | M12 to M8 Adaptor  |
| 1          | STK-K-01800                | 5   | 5412 ES Accessory Kit  |
| 1          | 5412ESSP2416086THNOI<br>PC | 0   | 5412ESSP 24" x 16" Cover   |
| 1          | 5412ESSP2416086THNOI<br>PB | 0   | 5412ESSP 24" x 16" x 8" Body   |
| 2          | STK-Q-04051-08             | 1   | M6 x 8mm Stainless Steel Hexagon Socket Head Machine Screw with Nyseal |
| Qty        | Part Number                | Rev | Description  |
| Parts List |                            |     |  |

| PACKING               |     |  |
|-----------------------|-----|--|
| ITEM                  | QTY | DESCRIPTION                                |
| Cardboard sleeve      | 2   | Top and Bottom                             |
| Cardboard strip       | 2   | Between back of enclosure and inner panel  |
| Plastic bag           | 1   | To protect cover surface and inside gasket |
| Plastic strap - Black | 2   | To Squeeze the 2 cardboard sleeve together |
| Packaging label       | 1   | White label with product number            |

This drawing is confidential and must not be reproduced or used without the consent of EXM

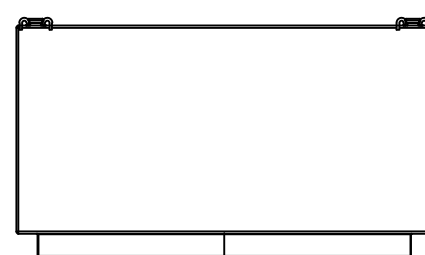
Ce dessin est confidentiel et ne doit pas être reproduit ou utilisé sans le consentement de EXM



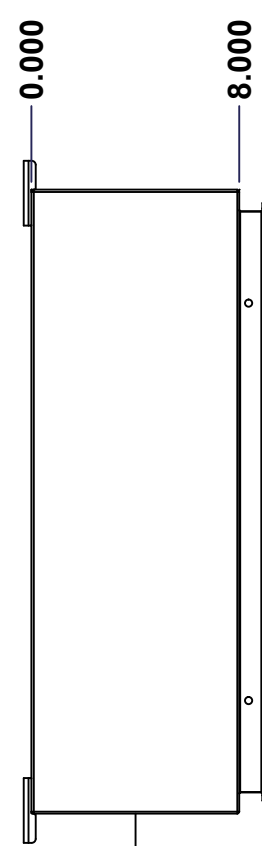
TOP



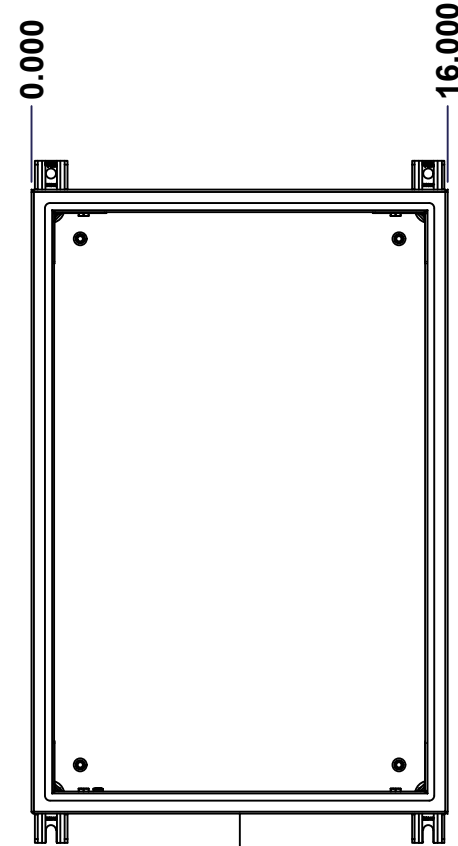
BACK



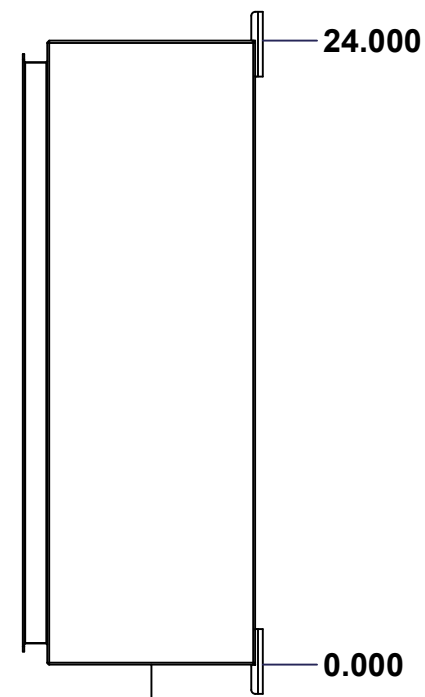
BOTTOM



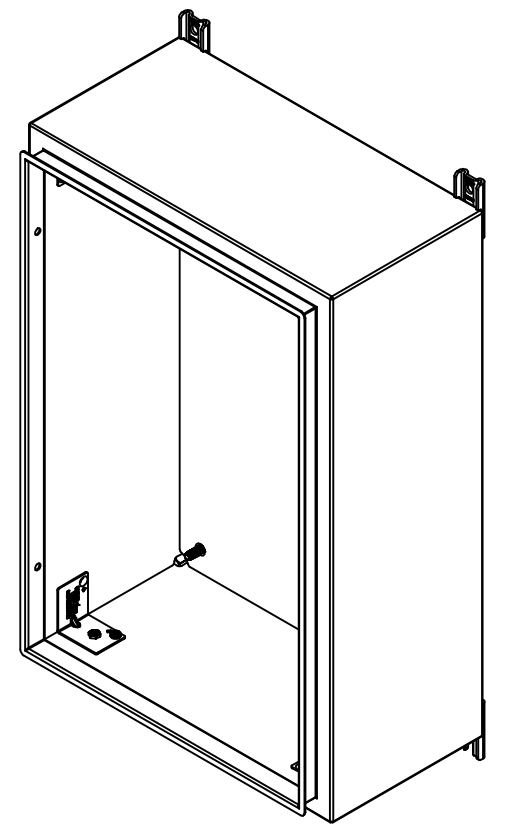
LEFT



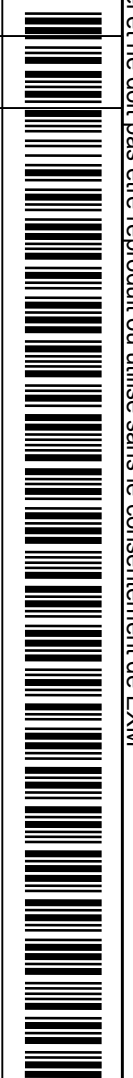
FRONT




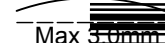

RIGHT



Isometric View



| No. | Revisions | Date | By/Par |
|-----|-----------|------|--------|
|     |           |      |        |
|     |           |      |        |
|     |           |      |        |
|     |           |      |        |

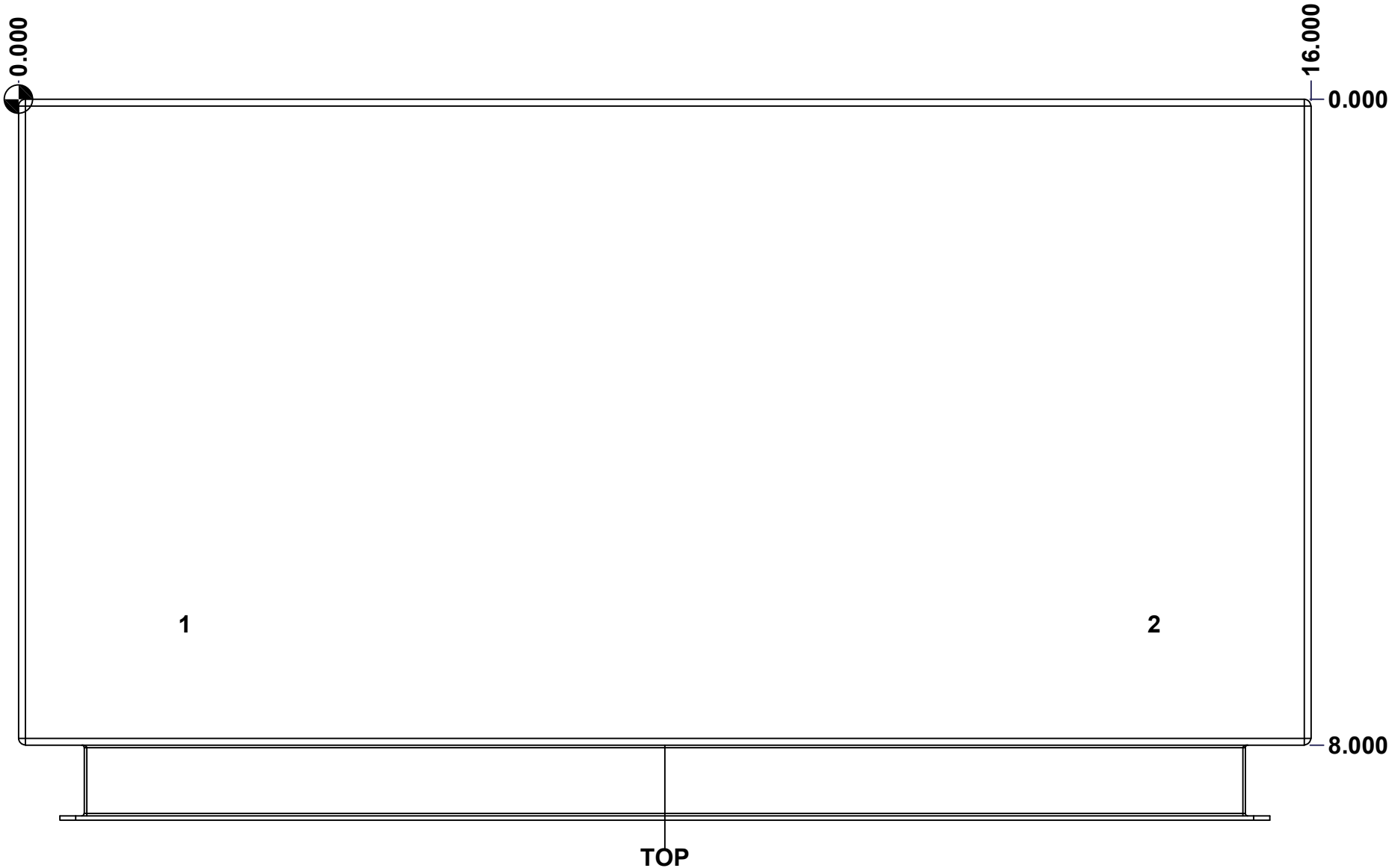
|  |                                   |   |
|--|-----------------------------------|---|
|  Tél: (450) 979-4373<br>Fax: (450) 979-4626<br><a href="http://www.exmweb.com">www.exmweb.com</a> |                                   | Flatness<br>Aplatissement<br> Max 5.0mm<br>Projection<br> |
| Customer Client  | Date                              |   |
| Drawn By<br>Dessiné Par  | BoxCad: BoxCad                    | Date 20-Apr-23  |
| Material<br>Matière  | 16 Ga Stainless Steel 316 (1.4mm) |   |
| Color<br>Couleur   | Asa-61 Grey                       | Finish<br>Fini Smooth   |
| Description  | Detail Rev.                       |   |
| 5412ESSP 24" x 16" x 8" Body   |                                   |   |
| Part Number<br>Numéro Pièce  | Rev. 3                            | 0   |

SEE BILL OF MATERIAL ON LAST PAGE 5412ESSP2416086THNOIPB 0 16

This drawing is confidential and must not be reproduced or used without the consent of EXM

Ce dessin est confidentiel et ne doit pas être reproduit ou utilisé sans le consentement de EXM

| STANDARD FEATURES ARE NOT LISTED IN THIS HOLE TABLE |        |       |                                |
|---|--------|-------|--------------------------------|
| HOLE TABLE - TOP VIEW (CUSTOM FEATURE ONLY)         |        |       |                                |
| CUT-OUT   | XDIM   | YDIM  | DESCRIPTION                    |
| 1   | 2.000  | 6.500 | INSUL. STUD M6 x 18mm (Inside) |
| 2   | 14.000 | 6.500 | INSUL. STUD M6 x 18mm (Inside) |

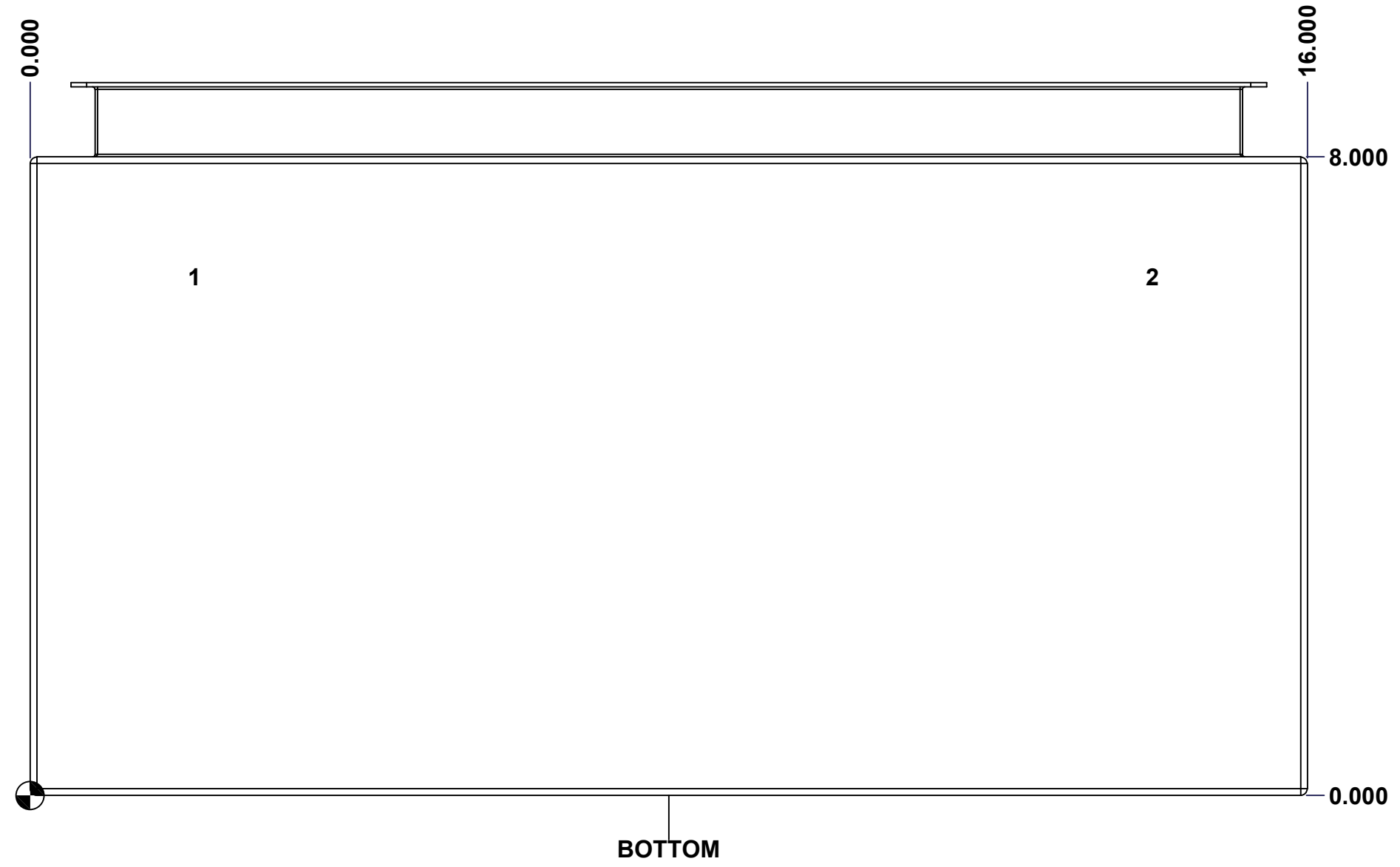


|  |                               |        |
|--|-------------------------------|--------|
|  | Description                   | Status |
|  | 5412ESSP 24" x 16" x 8" Body  | (NULL) |
|  | Part Number<br>Numéro Pièce   | Rev.   |
|  | <b>5412ESSP2416086THNOIPB</b> | 4      |
|  | <b>0</b>                      | 16     |

This drawing is confidential and must not be reproduced or used without the consent of EXM

Ce dessin est confidentiel et ne doit pas être reproduit ou utilisé sans le consentement de EXM

| <b>STANDARD FEATURES ARE NOT LISTED IN THIS HOLE TABLE</b> |        |       |                                |
|--|--------|-------|--------------------------------|
| <b>HOLE TABLE - BOTTOM VIEW (CUSTOM FEATURE ONLY)</b>      |        |       |                                |
| CUT-OUT  | XDIM   | YDIM  | DESCRIPTION                    |
| 1  | 2.000  | 6.500 | INSUL. STUD M6 x 18mm (Inside) |
| 2  | 14.000 | 6.500 | INSUL. STUD M6 x 18mm (Inside) |



|  |                               |        |
|--|-------------------------------|--------|
|  | Description                   | Status |
|  | 5412ESSP 24" x 16" x 8" Body  | (NULL) |
|  | Part Number<br>Numéro Pièce   | Rev.   |
|  | <b>5412ESSP2416086THNOIPB</b> | 5      |
|  | <b>0</b>                      | 16     |

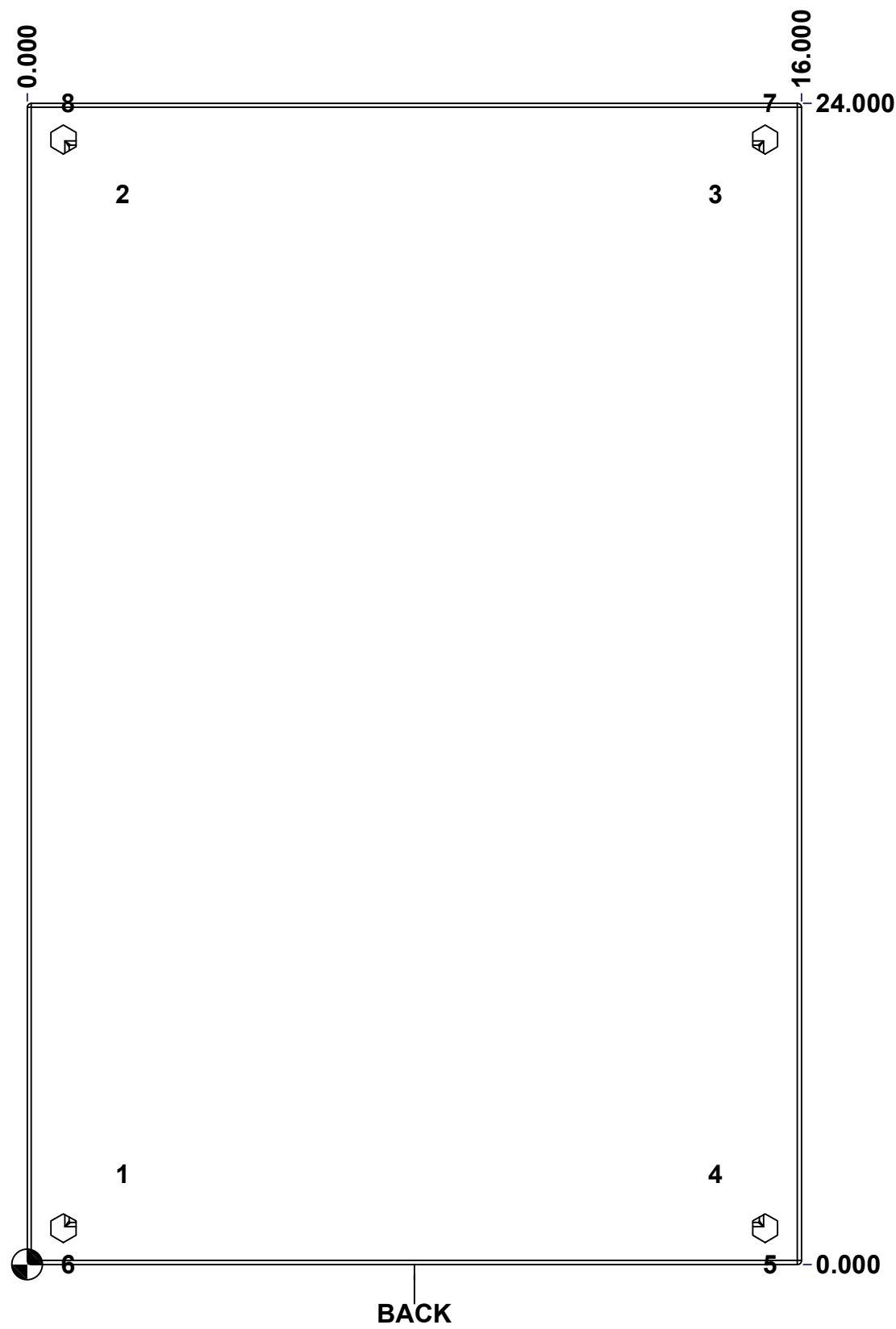
This drawing is confidential and must not be reproduced or used without the consent of EXM

Ce dessin est confidentiel et ne doit pas être reproduit ou utilisé sans le consentement de EXM

**STANDARD FEATURES ARE NOT LISTED IN THIS HOLE TABLE**

**HOLE TABLE - BACK VIEW (CUSTOM FEATURE ONLY)**

| CUT-OUT | XDIM   | YDIM   | DESCRIPTION                |
|---------|--------|--------|----------------------------|
| 1       | 1.875  | 1.875  | IP STUD M8 x 35mm (Inside) |
| 2       | 1.875  | 22.125 | IP STUD M8 x 35mm (Inside) |
| 3       | 14.125 | 22.125 | IP STUD M8 x 35mm (Inside) |
| 4       | 14.125 | 1.875  | IP STUD M8 x 35mm (Inside) |
| -----   |        |        |                            |
| 5       | 15.250 | 0.000  | FOOT 885 ESMF4_OPEN        |
| 6       | 0.750  | 0.000  | FOOT 885 ESMF4_OPEN        |
| 7       | 15.250 | 24.000 | FOOT 885 ESMF4_CLOSE       |
| 8       | 0.750  | 24.000 | FOOT 885 ESMF4_CLOSE       |



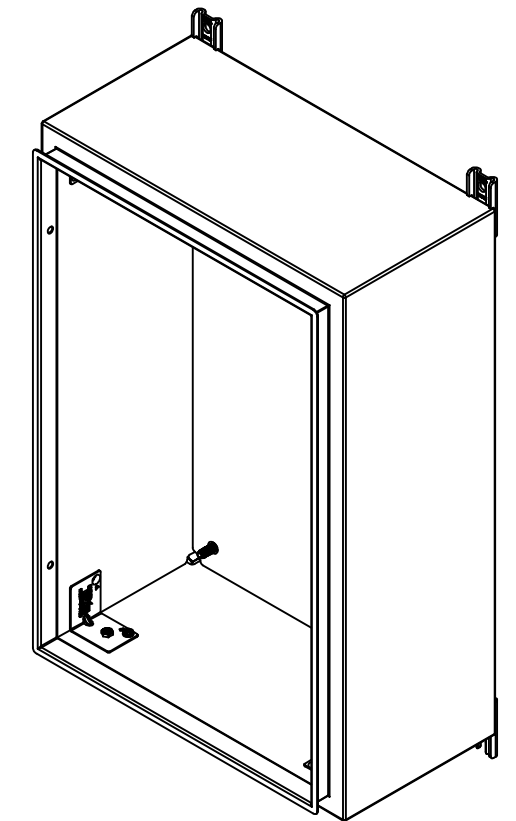
BACK

|  |                              |        |
|--|------------------------------|--------|
|  | Description                  | Status |
|  | 5412ESSP 24" x 16" x 8" Body | (NULL) |
|  | Part Number<br>Numéro Pièce  | Rev.   |
|  | 5412ESSP2416086THNOIPB       | 6      |
|  | 0                            | 16     |

This drawing is confidential and must not be reproduced or used without the consent of EXM

Ce dessin est confidentiel et ne doit pas être reproduit ou utilisé sans le consentement de EXM

| No. | Revisions | Date | By/Par |
|-----|-----------|------|--------|
|     |           |      |        |
|     |           |      |        |
|     |           |      |        |
|     |           |      |        |
|     |           |      |        |



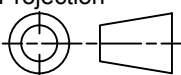


Isometric View



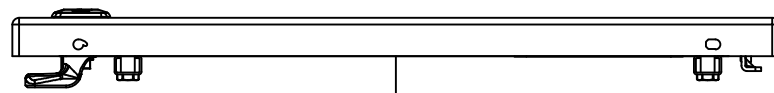
|   |                            |   |   |
|---|----------------------------|---|---|
| 2 | 885ESMF4-FEET              | 0 | 885 ESMF4 Stainless Steel Mounting Foot               |
| 4 | RIVET_NUT_SS_M10_FH_CE     | 0 | Stainless Steel Rivet Nut M10 (Low Profile Close End) |
| 4 | STK-Q-06670                | 2 | M10 x 16mm Stainless Steel Machine Screw              |
| 2 | 885ESMF4-FEET-A            | 0 | 885 ESMF4 Stainless Steel Mounting Foot (Opened Slot) |
| 1 | STK-K-70554                | 3 | 5412 ESTH Accessory Kit                               |
| 1 | 5412ESSP2416086THNOI-PI-RS | 0 | 5412ESSP 24" x 16" Right Insulation                   |
| 1 | 5412ESSP2416086THNOI-PI-LS | 0 | 5412ESSP 24" x 16" Left Insulation                    |
| 1 | 5412ESSP2416086THNOI-PI-BT | 0 | 5412ESSP 24" x 16" Top and Bottom Insulation          |
| 1 | 5412ESSP2416086THNOI-PI-TP | 0 | 5412ESSP 24" x 16" Top and Bottom Insulation          |
| 1 | 5412ESSP2416086THNOI-PI-B  | 0 | 5412ESSP 24" x 16" Back Insulation                    |
| 4 | STK-Q-16070                | 1 | Stud M6 x 18mm Stainless steel                        |
| 1 | STK-P-02400S               | 0 | Powder Paint (Asa-61 Grey / Smooth)                   |
| 4 | STK-Q-16020                | 1 | Stud M8 x 35mm Stainless Steel                        |
| 1 | 5412ESSP2416086THNOI-PB-P  | 0 | 5412ESSP 24" x 16" x 8" Body Part                     |

| Qty        | Part Number | Rev | Description |
|------------|-------------|-----|-------------|
| Parts List |             |     |             |

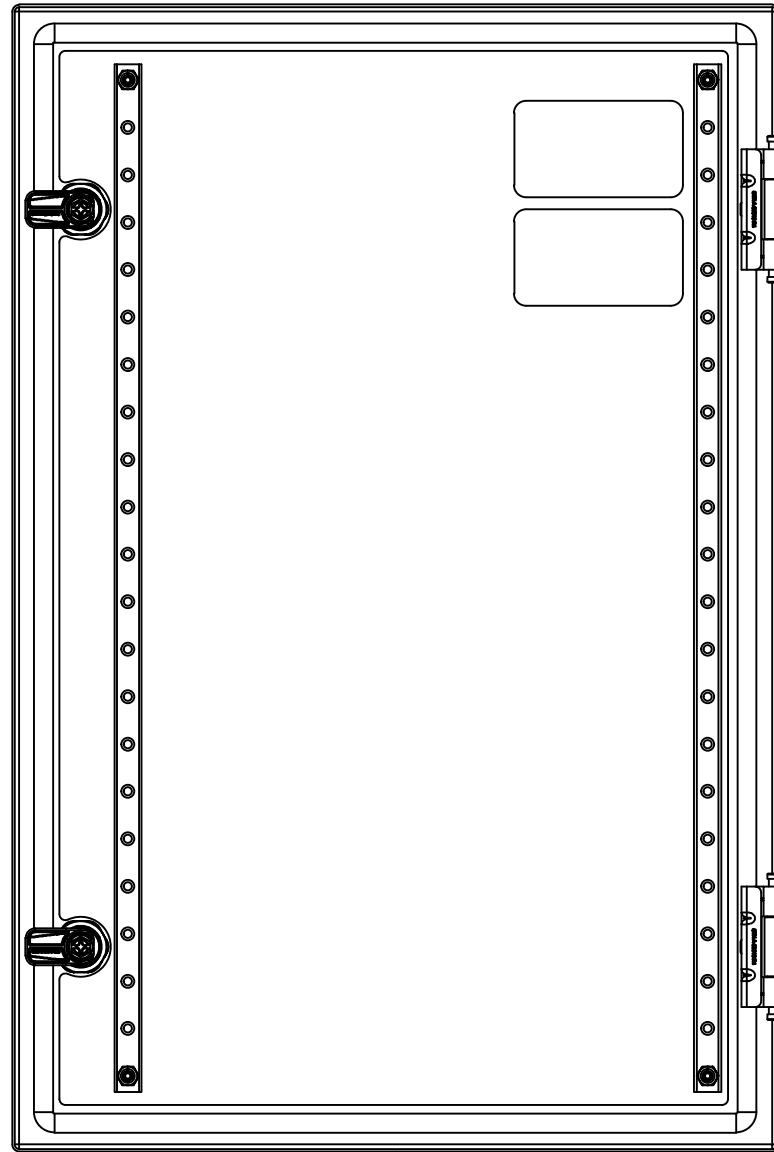
|  |  |   |
|--|--|---|
|  Tél: (450) 979-4373<br>Fax: (450) 979-4626<br><a href="http://www.exmweb.com">www.exmweb.com</a> |  | Flatness<br>Aplatissement<br><br>Max 5.0mm |
| Customer Client<br>Drawn By / Dessiné Par: BoxCad: BoxCad<br>Material / Matière: 16 Ga Stainless Steel 316 (1.4mm)   |  | Projection<br>                             |
| Color / Couleur: Asa-61 Grey<br>Finish / Fini: Smooth  |  | Date: 20-Apr-23   |
| Description: 5412ESSP 24" x 16" x 8" Body  |  | Detail Rev.   |
| Part Number / Numéro Pièce: <b>5412ESSP2416086THNOIPB</b>  |  | Rev. 7  |

This drawing is confidential and must not be reproduced or used without the consent of EXM

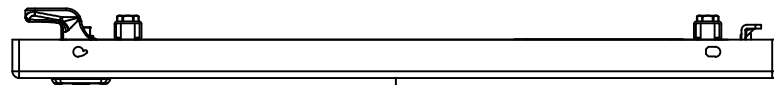
Ce dessin est confidentiel et ne doit pas être reproduit ou utilisé sans le consentement de EXM



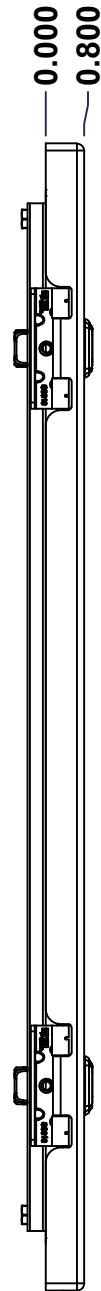
TOP



BACK

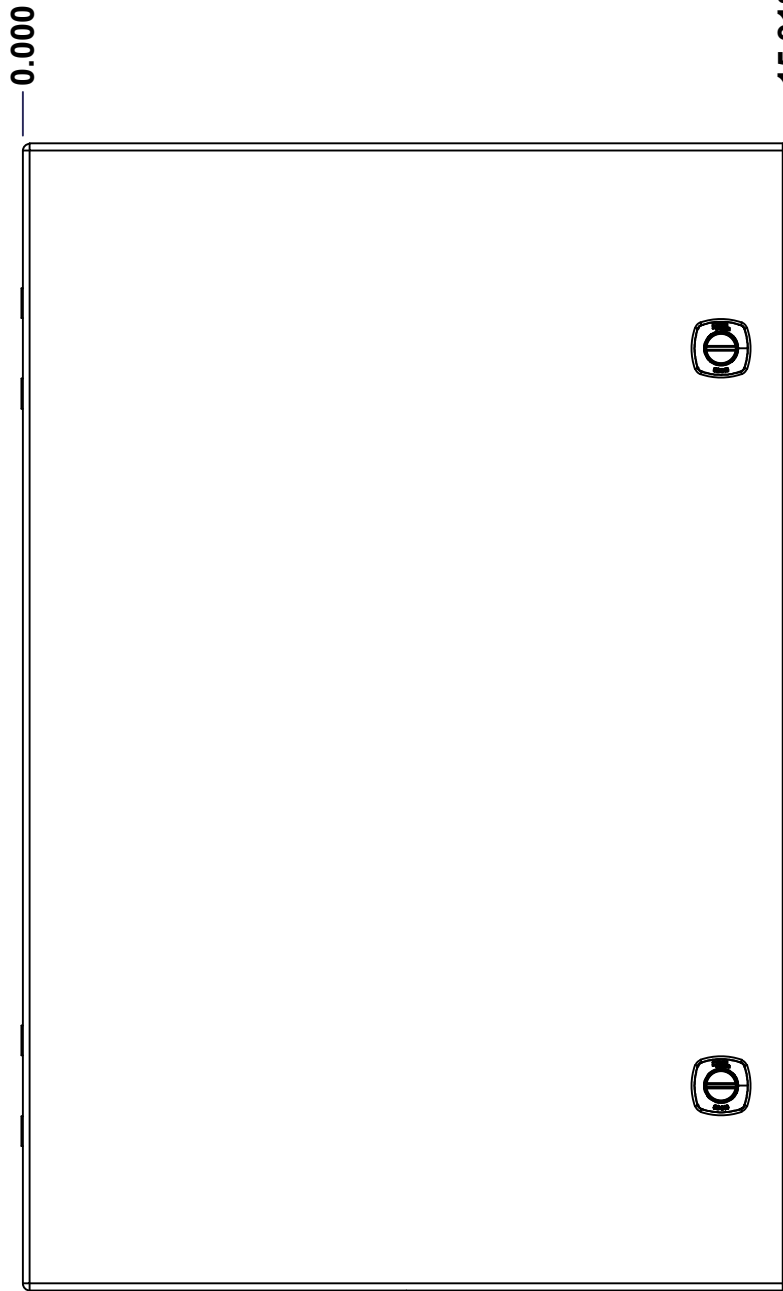


BOTTOM



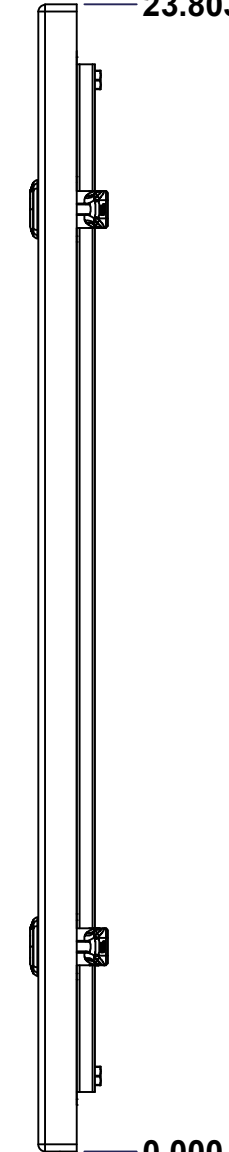
LEFT

0.000  
0.800



FRONT

0.000  
15.918

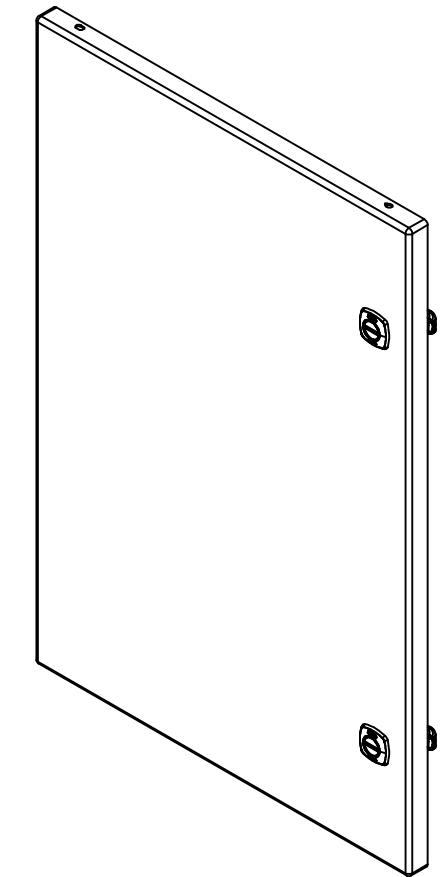


RIGHT

23.803

0.000

| No. | Revisions | Date | By/Par |
|-----|-----------|------|--------|
|     |           |      |        |
|     |           |      |        |
|     |           |      |        |
|     |           |      |        |



Isometric View



Tél: (450) 979-4373  
Fax: (450) 979-4626  
[www.exmweb.com](http://www.exmweb.com)

Flatness  
Aplatissement  
Max 5.0mm  
Projection

|   |                       |
|---|-----------------------|
| Customer Client                                       | Date                  |
| Drawn By<br>Dessiné Par BoxCad: BoxCad                | Date 20-Apr-23        |
| Material<br>Matière 16 Ga Stainless Steel 316 (1.4mm) |                       |
| Color<br>Couleur Asa-61 Grey                          | Finish<br>Fini Smooth |
| Description<br>5412ESSP 24" x 16" Cover               | Detail Rev.           |
| Part Number<br>Numéro Pièce                           | Rev. 8                |

SEE BILL OF MATERIAL ON LAST PAGE 5412ESSP2416086THNOIPC 0



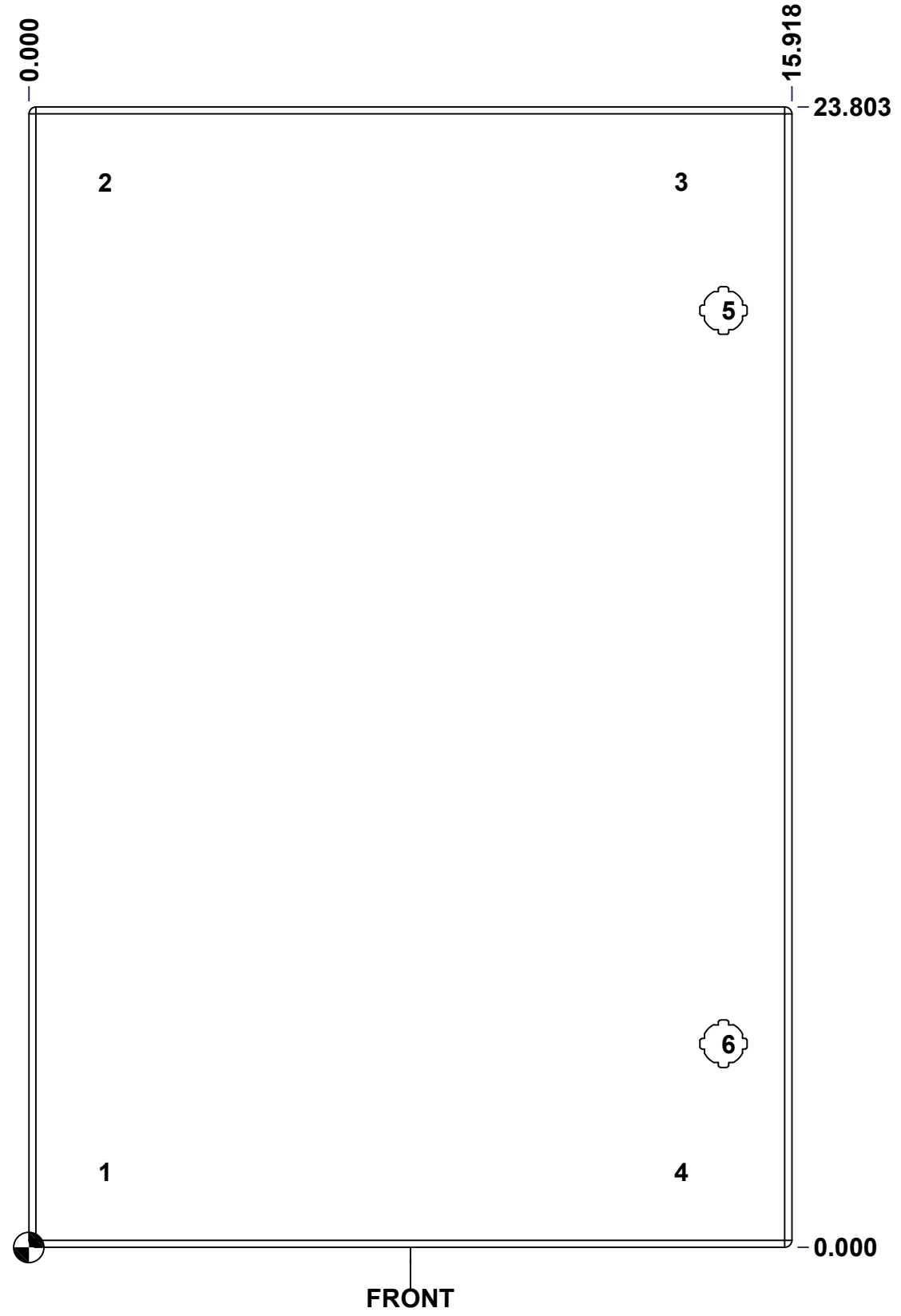
This drawing is confidential and must not be reproduced or used without the consent of EXM

Ce dessin est confidentiel et ne doit pas être reproduit ou utilisé sans le consentement de EXM

**STANDARD FEATURES ARE NOT LISTED IN THIS HOLE TABLE**

**HOLE TABLE - FRONT VIEW (CUSTOM FEATURE ONLY)**

| CUT-OUT | XDIM   | YDIM   | DESCRIPTION             |
|---------|--------|--------|-------------------------|
| 1       | 1.486  | 1.567  | STUD M6 x 18mm (Inside) |
| 2       | 1.486  | 22.236 | STUD M6 x 18mm (Inside) |
| 3       | 13.517 | 22.236 | STUD M6 x 18mm (Inside) |
| 4       | 13.517 | 1.567  | STUD M6 x 18mm (Inside) |
| -----   |        |        |                         |
| 5       | 14.494 | 19.553 | 880 SCQ4-SLSS6          |
| 6       | 14.494 | 4.250  | 880 SCQ4-SLSS6          |

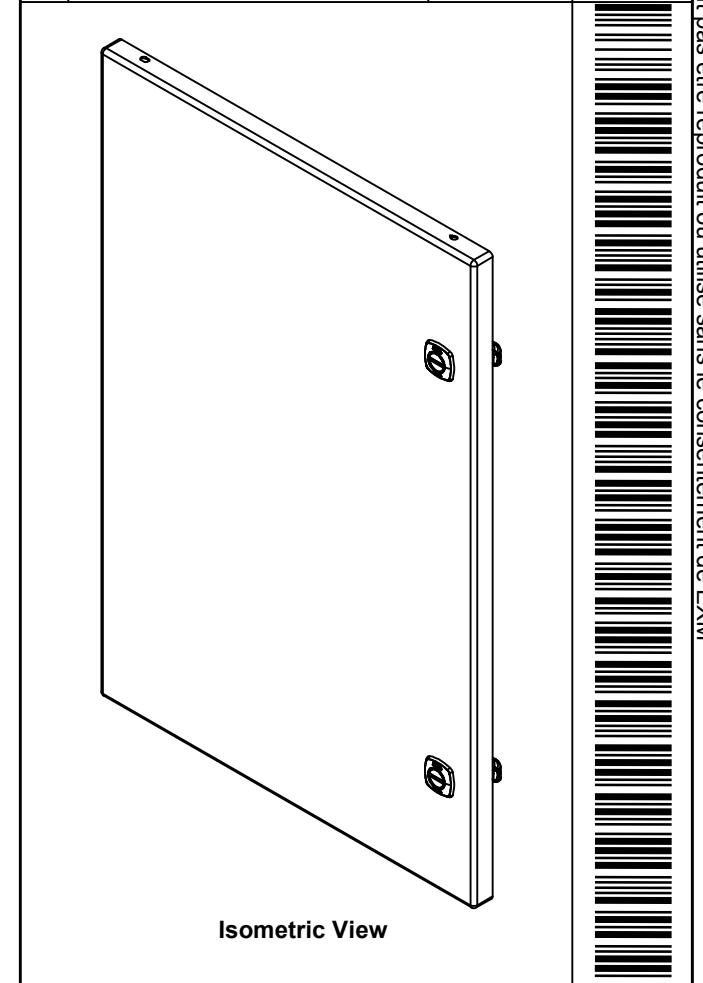


|  |                               |          |
|--|-------------------------------|----------|
|  | Description                   | Status   |
|  | 5412ESSP 24" x 16" Cover      | (NULL)   |
|  | Part Number<br>Numéro Pièce   | Rev.     |
|  | <b>5412ESSP2416086THNOIPC</b> | 9        |
|  |                               | <b>0</b> |
|  |                               | 16       |

This drawing is confidential and must not be reproduced or used without the consent of EXM

Ce dessin est confidentiel et ne doit pas être reproduit ou utilisé sans le consentement de EXM

| No. | Revisions | Date | By/Par |
|-----|-----------|------|--------|
|     |           |      |        |
|     |           |      |        |
|     |           |      |        |
|     |           |      |        |
|     |           |      |        |



| QTY        | Part Number                  | Rev | Description                            |
|------------|------------------------------|-----|--|
| 2          | STK-S-00100                  | 0   | 3.5" x 2" Silver Milar Flexcon Sticker |
| 4          | STK-Q-07250                  | 2   | M6 x 16mm Collar Nut                   |
| 2          | STK-Q-46020-24               | 5   | 5412 ES Vertical Door Stiffener 24"    |
| 1          | 5412ESSP2416086THNOI<br>PI-C | 0   | 5412ESSP 24" x 16" Cover Insulation    |
| 1          | STK-P-02400S                 | 0   | Powder Paint (Asa-61 Grey / Smooth)    |
| 4          | STK-Q-16070                  | 1   | Stud M6 x 18mm Stainless steel         |
| 1          | 5412ESSP2416086THNOI<br>PG   | 0   | 5412ESSP 24" x 16" Cover Gasket Part   |
| 1          | 5412ESSP2416086THNOI<br>PC-P | 0   | 5412ESSP 24" x 16" Cover Part          |
| 2          | 880 SCQ4-SLSS6               | 7   | 5412 ESS 1/4 Turn Lock                 |
| 2          | STK-A-33016                  | 0   | 5412 ESS Bended Hinge (Body Part)      |
| Parts List |                              |     |  |

Tél: (450) 979-4373  
Fax: (450) 979-4626  
[www.exmweb.com](http://www.exmweb.com)

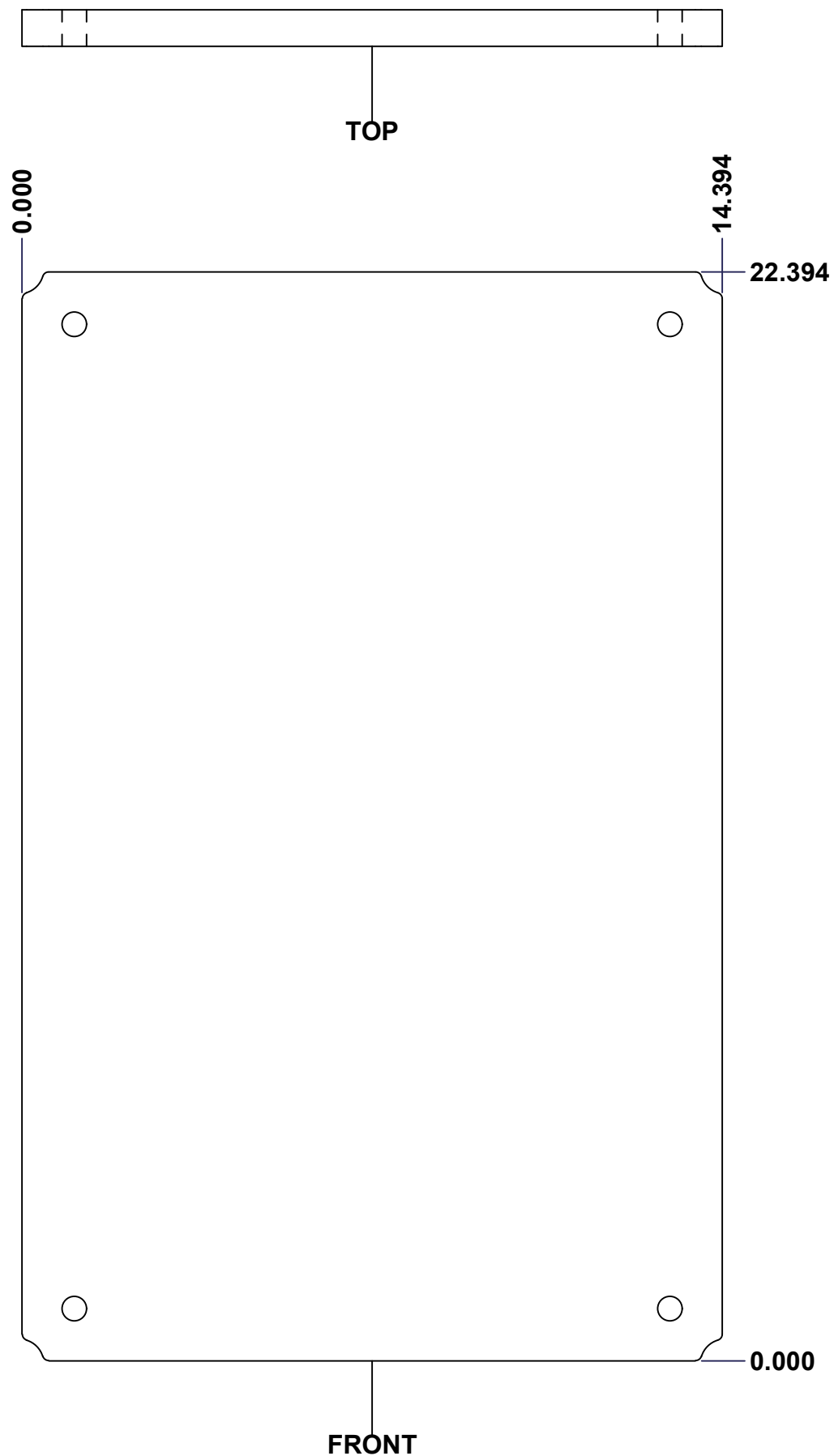
Flatness  
Aplatissement  
Max 5.0mm

Projection

|   |                        |                       |
|---|------------------------|-----------------------|
| Customer Client                                       |                        | Date                  |
| Drawn By<br>Dessiné Par                               | BoxCad: BoxCad         | Date 20-Apr-23        |
| Material<br>Matière 16 Ga Stainless Steel 316 (1.4mm) |                        |                       |
| Color<br>Couleur                                      | Asa-61 Grey            | Finish<br>Fini Smooth |
| Description<br>5412ESSP 24" x 16" Cover               |                        | Detail Rev.           |
| Part Number<br>Numéro Pièce                           | 5412ESSP2416086THNOIPC | Rev. 10<br>16         |

This drawing is confidential and must not be reproduced or used without the consent of EXM

Ce dessin est confidentiel et ne doit pas être reproduit ou utilisé sans le consentement de EXM



| No. | Revisions | Date | By/Par |
|-----|-----------|------|--------|
|     |           |      |        |
|     |           |      |        |
|     |           |      |        |
|     |           |      |        |
|     |           |      |        |

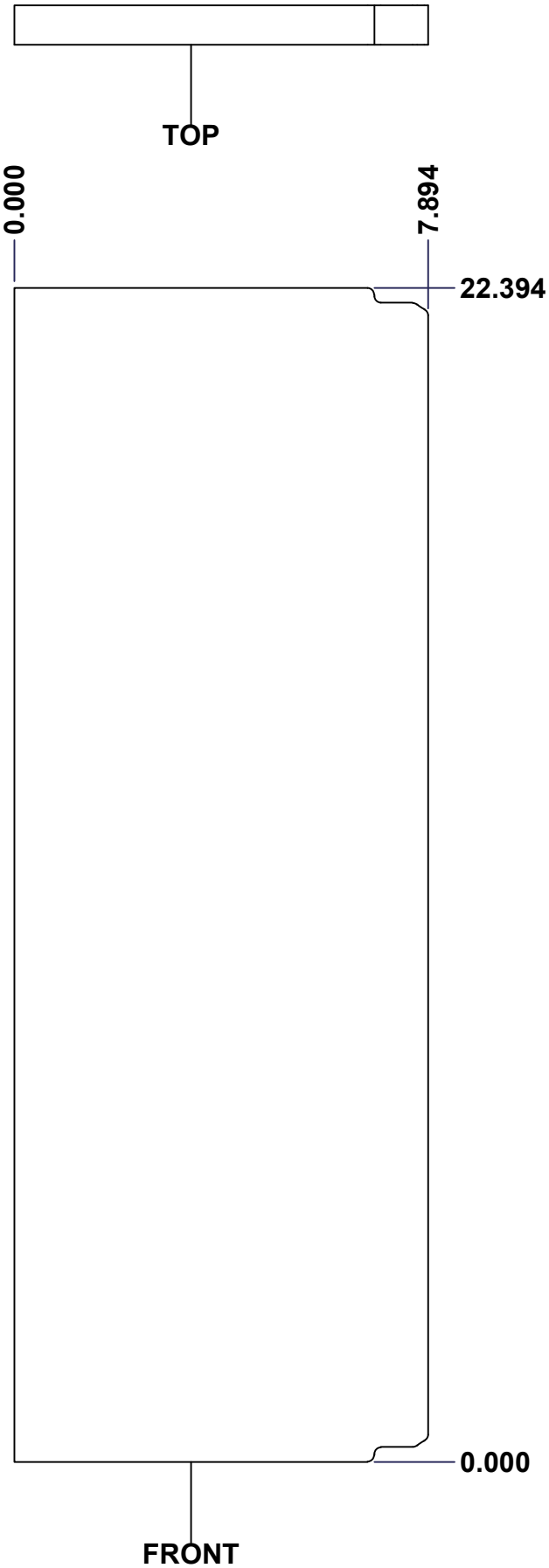
**Isometric View**

|   |                           |  |
|---|---------------------------|--|
| <p>Tél: (450) 979-4373<br/>                 Fax: (450) 979-4626<br/> <a href="http://www.exmweb.com">www.exmweb.com</a></p> |                           | Flatness<br>Aplatissement<br>Max 3.0mm<br>Projection<br> |
| Customer Client   | Date                      |  |
| Drawn By<br>Dessiné Par   | BoxCad: Patrick Deschenes | Date 23-Jan-07   |
| Material<br>Matière   | Polyisocyanurate          |  |
| Color<br>Couleur  | Aluminum                  | Finish<br>Fini N/A                                       |
| Description   |                           | Detail Rev.  |
| 5412ESSP 24" x 16" Back Insulation  |                           |  |
| Part Number<br>Numéro Pièce   | Rev.                      | 11   |
| SEE BILL OF MATERIAL ON LAST PAGE   |                           | 16   |

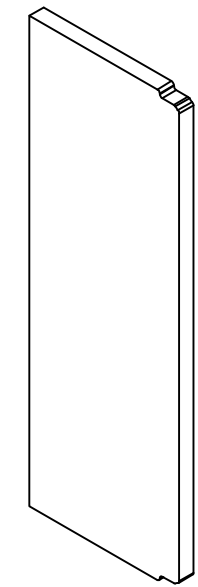
SEE BILL OF MATERIAL ON LAST PAGE 5412ESSP2416086THNOIPI-B 0

This drawing is confidential and must not be reproduced or used without the consent of EXM


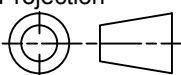
Ce dessin est confidentiel et ne doit pas être reproduit ou utilisé sans le consentement de EXM



| No. | Revisions | Date | By/Par |
|-----|-----------|------|--------|
|     |           |      |        |
|     |           |      |        |
|     |           |      |        |
|     |           |      |        |
|     |           |      |        |



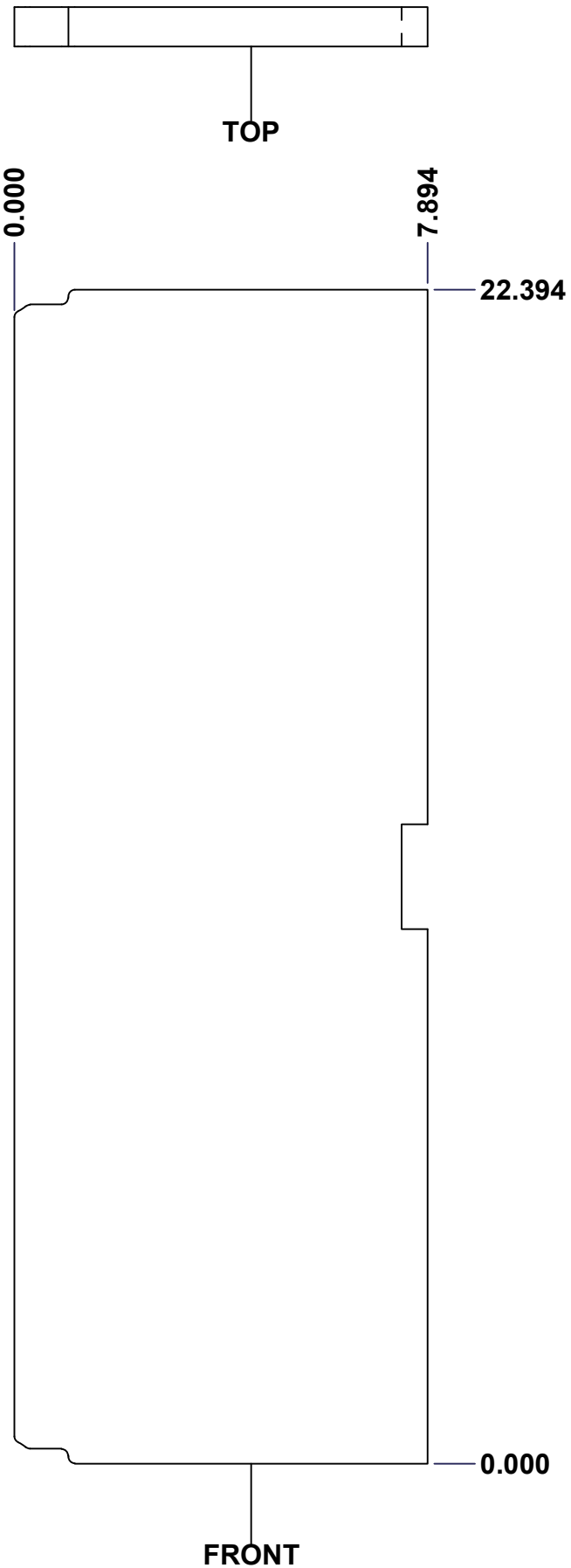
Isometric View

|  |                           |   |
|--|---------------------------|---|
|  Tél: (450) 979-4373<br>Fax: (450) 979-4626<br><a href="http://www.exmweb.com">www.exmweb.com</a> |                           | Flatness<br>Aplatissement<br>Max 3.0mm<br>Projection<br> |
| Customer Client  | Date                      |   |
| Drawn By<br>Dessiné Par  | BoxCad: Patrick Deschenes | Date 23-Jan-07  |
| Material<br>Matière  | Polyisocyanurate          |   |
| Color<br>Couleur   | Aluminum                  | Finish<br>Fini N/A  |
| Description  | Detail Rev.               |   |
| 5412ESSP 24" x 16" Left Insulation   |                           |   |
| Part Number<br>Numéro Pièce  | Rev.                      | 12  |
| 5412ESSP2416086THNOIPI-LS 0  |                           | 16  |

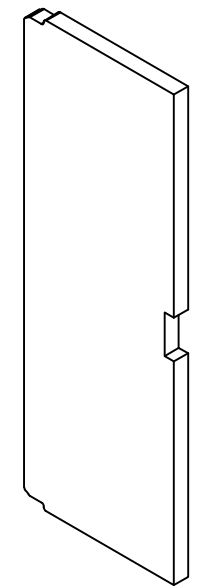
SEE BILL OF MATERIAL ON LAST PAGE

This drawing is confidential and must not be reproduced or used without the consent of EXM

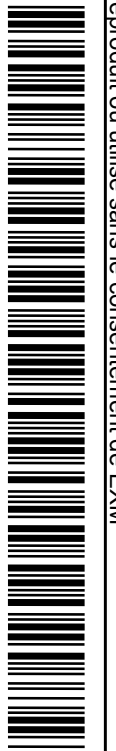
Ce dessin est confidentiel et ne doit pas être reproduit ou utilisé sans le consentement de EXM


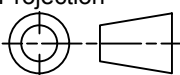


| No. | Revisions | Date | By/Par |
|-----|-----------|------|--------|
|     |           |      |        |
|     |           |      |        |
|     |           |      |        |
|     |           |      |        |
|     |           |      |        |



Isometric View



|  |                                     |  |
|--|-------------------------------------|--|
|  Tél: (450) 979-4373<br>Fax: (450) 979-4626<br><a href="http://www.exmweb.com">www.exmweb.com</a> |                                     | Flatness<br>Aplatissement<br>Max 3.0mm |
| Projection<br>  |                                     | Date                                   |
| Customer Client  | BoxCad: Patrick Deschenes           | Date 23-Jan-07                         |
| Material Matière   | Polyisocyanurate                    |  |
| Color Couleur  | Aluminum                            | Finish Fini N/A                        |
| Description  | 5412ESSP 24" x 16" Right Insulation |  |
| Part Number Numéro Pièce   | 5412ESSP2416086THNOIP-RS0           | Detail Rev. 13                         |
|  |                                     | 16                                     |

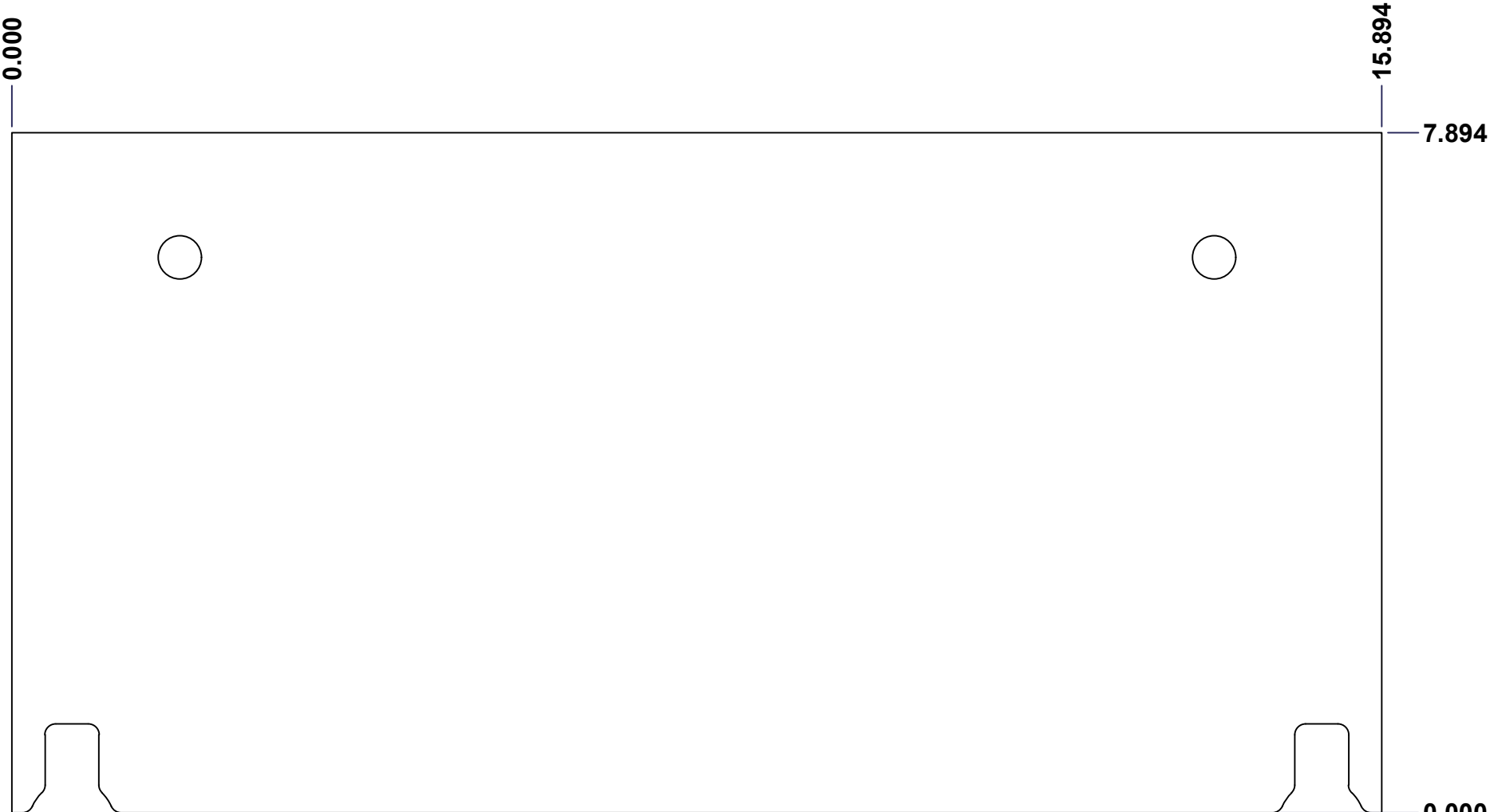
SEE BILL OF MATERIAL ON LAST PAGE

This drawing is confidential and must not be reproduced or used without the consent of EXM

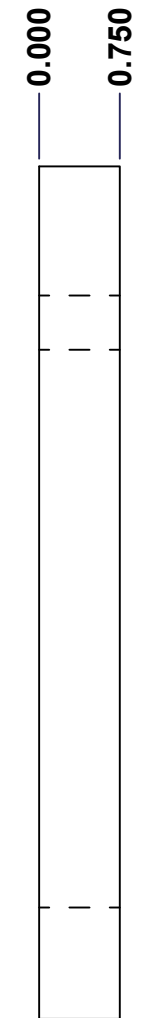
Ce dessin est confidentiel et ne doit pas être reproduit ou utilisé sans le consentement de EXM



TOP

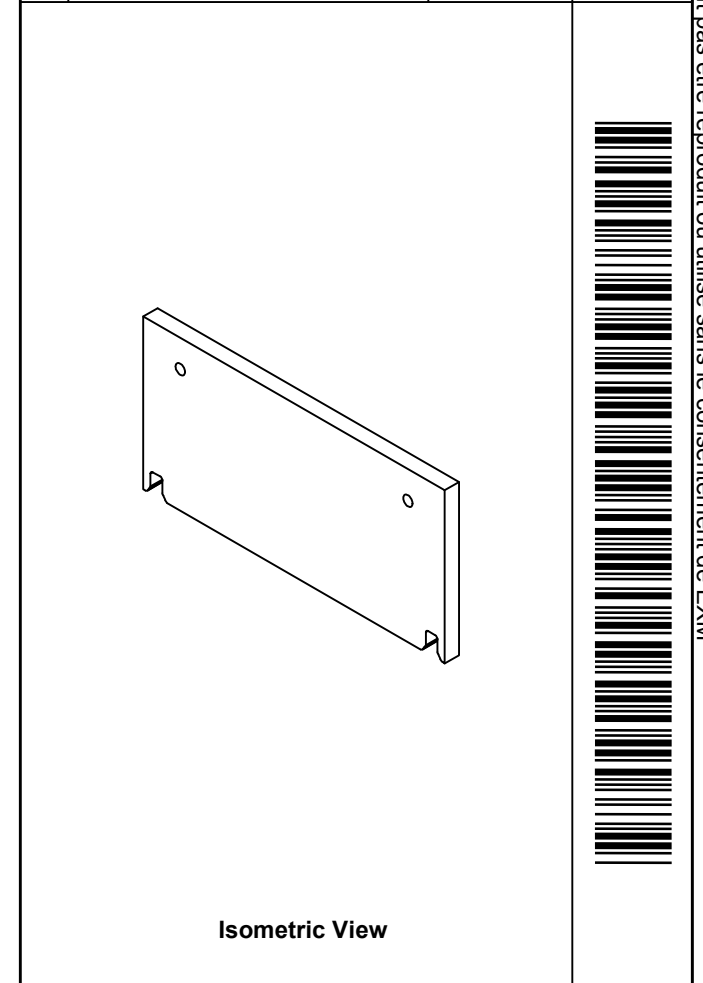



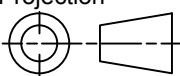
FRONT



RIGHT

| No. | Revisions | Date | By/Par |
|-----|-----------|------|--------|
|     |           |      |        |
|     |           |      |        |
|     |           |      |        |
|     |           |      |        |



|  |                           |   |
|--|---------------------------|---|
|  Tél: (450) 979-4373<br>Fax: (450) 979-4626<br><a href="http://www.exmweb.com">www.exmweb.com</a> |                           | Flatness<br>Aplatissement<br>Max 3.0mm<br>Projection<br> |
| Customer Client  | Date                      |   |
| Drawn By<br>Dessiné Par  | BoxCad: Patrick Deschenes | Date 23-Jan-07  |
| Material<br>Matière  | Polyisocyanurate          |   |
| Color<br>Couleur   | Aluminum                  | Finish<br>Fini N/A  |
| Description  | Detail Rev.               |   |
| 5412ESSP 24" x 16" Top and Bottom Insulation   |                           |   |
| Part Number<br>Numéro Pièce  | Rev.                      | 14  |
|  |                           | 16  |

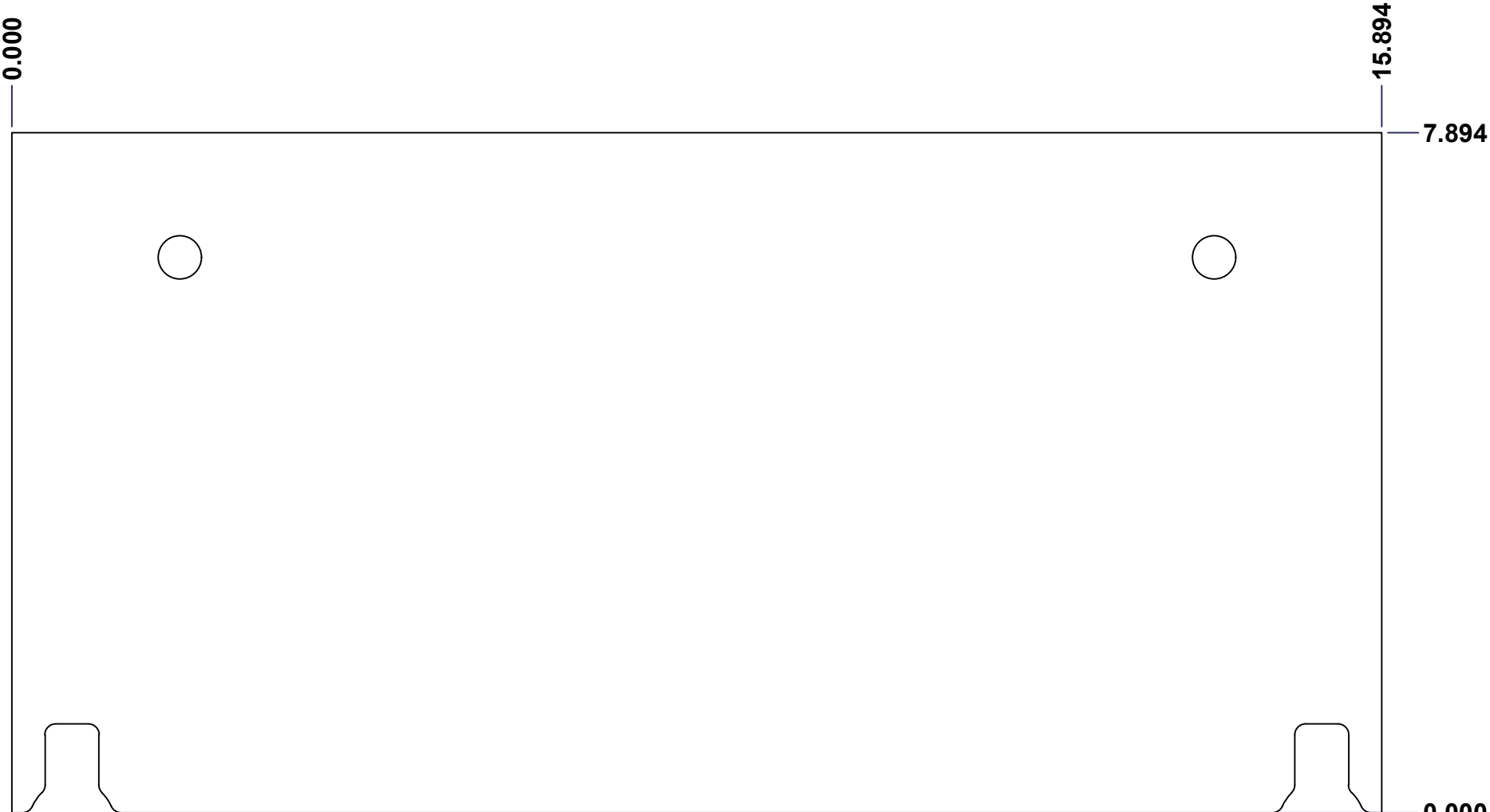
SEE BILL OF MATERIAL ON LAST PAGE 5412ESSP2416086THNOIPI-TP 0

This drawing is confidential and must not be reproduced or used without the consent of EXM

Ce dessin est confidentiel et ne doit pas être reproduit ou utilisé sans le consentement de EXM

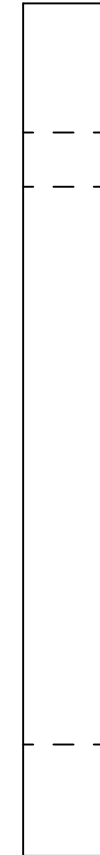


TOP



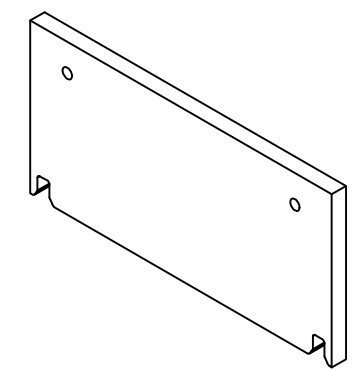
FRONT

0.000  
0.750

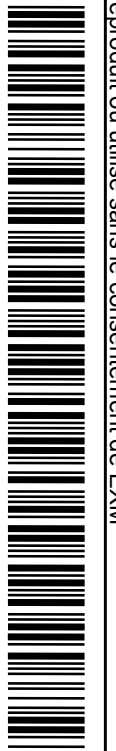


RIGHT

| No. | Revisions | Date | By/Par |
|-----|-----------|------|--------|
|     |           |      |        |
|     |           |      |        |
|     |           |      |        |
|     |           |      |        |
|     |           |      |        |



Isometric View



Tél: (450) 979-4373  
Fax: (450) 979-4626  
[www.exmweb.com](http://www.exmweb.com)

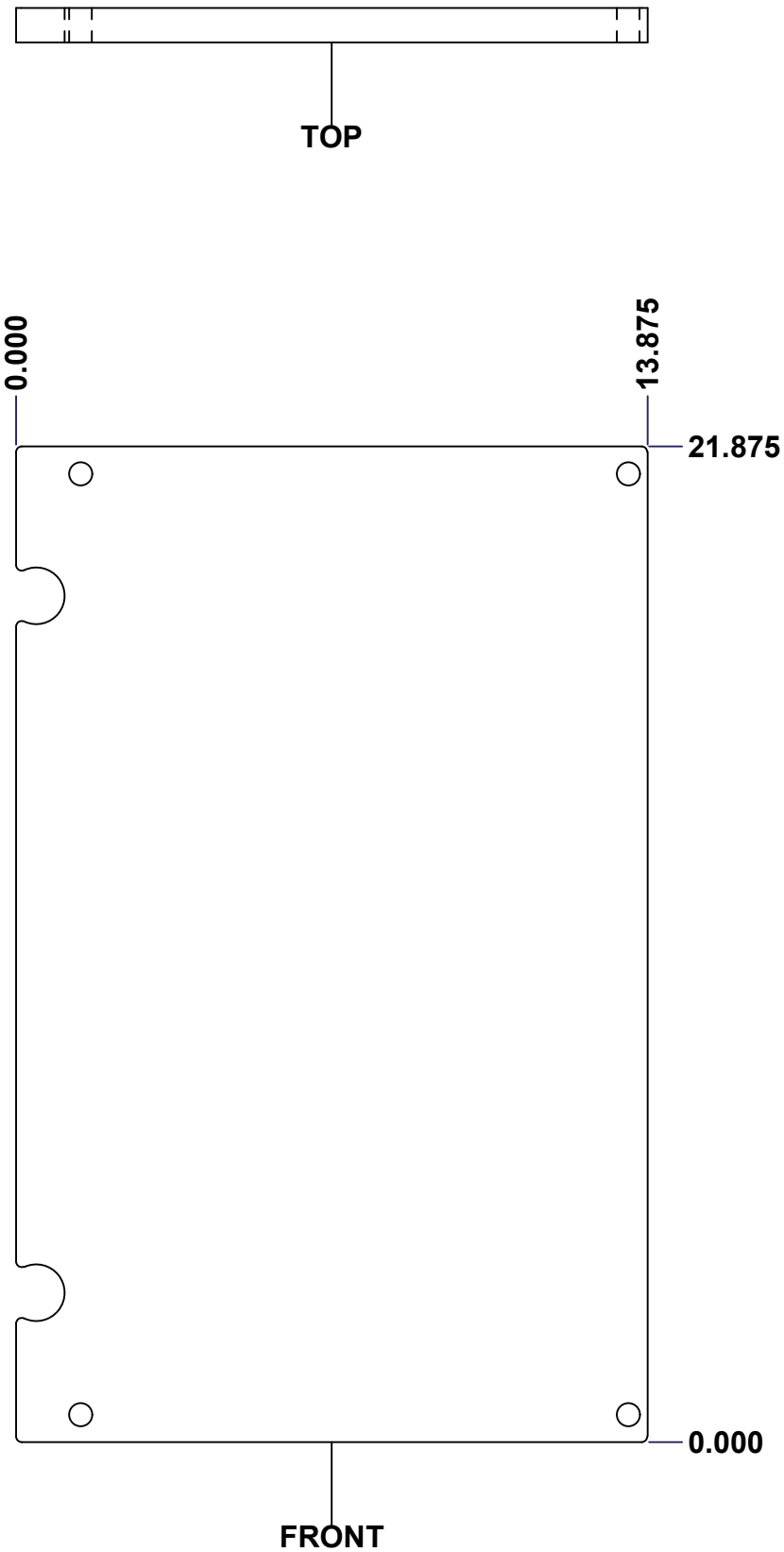
Flatness  
Aplatissement  
Max 3.0mm  
Projection

|   |                    |
|---|--------------------|
| Customer Client   | Date               |
| Drawn By<br>Dessiné Par BoxCad: Patrick Deschenes           | Date 23-Jan-07     |
| Material<br>Matière Polyisocyanurate                        |                    |
| Color<br>Couleur Aluminum                                   | Finish<br>Fini N/A |
| Description<br>5412ESSP 24" x 16" Top and Bottom Insulation | Detail Rev.        |
| Part Number<br>Numéro Pièce 5412ESSP2416086THNOIP-BT 0      | Rev. 15            |

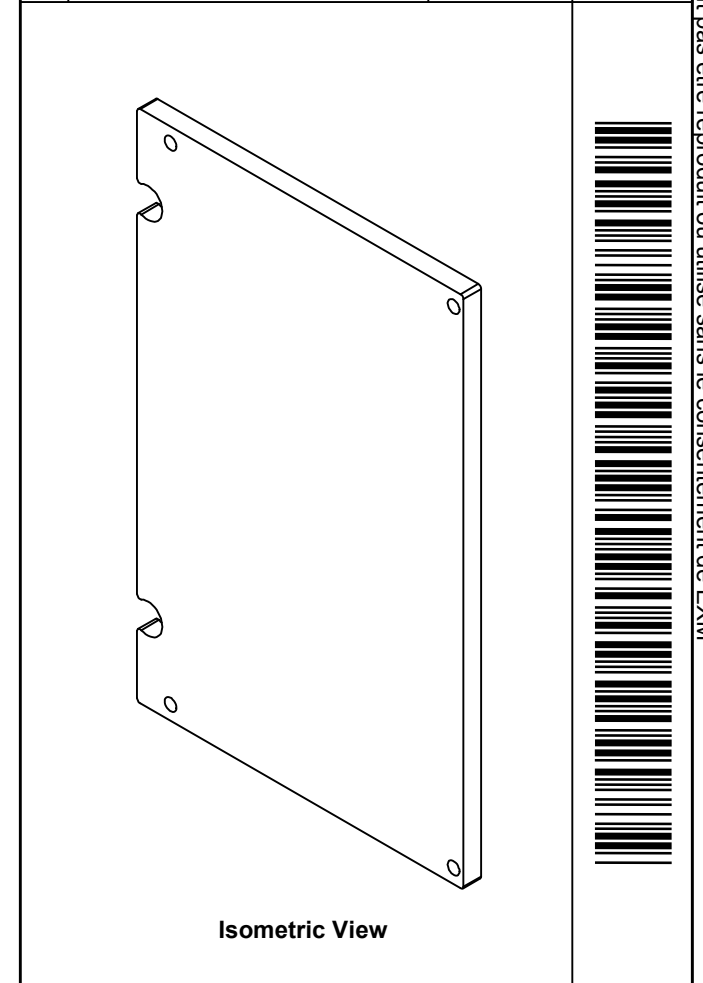
SEE BILL OF MATERIAL ON LAST PAGE


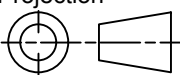
This drawing is confidential and must not be reproduced or used without the consent of EXM

Ce dessin est confidentiel et ne doit pas être reproduit ou utilisé sans le consentement de EXM



| No. | Revisions | Date | By/Par |
|-----|-----------|------|--------|
|     |           |      |        |
|     |           |      |        |
|     |           |      |        |
|     |           |      |        |
|     |           |      |        |



|  |                           |   |
|--|---------------------------|---|
|  Tél: (450) 979-4373<br>Fax: (450) 979-4626<br><a href="http://www.exmweb.com">www.exmweb.com</a> |                           | Flatness<br>Aplatissement<br>Max 3.0mm<br>Projection<br> |
| Customer Client  | Date                      |   |
| Drawn By<br>Dessiné Par  | BoxCad: Patrick Deschenes | Date 23-Jan-07  |
| Material<br>Matière  | Polyisocyanurate          |   |
| Color<br>Couleur   | Aluminum                  | Finish<br>Fini N/A  |
| Description<br>5412ESSP 24" x 16" Cover Insulation   |                           | Detail Rev.   |
| Part Number<br>Numéro Pièce  | Rev. 16                   | 16  |

SEE BILL OF MATERIAL ON LAST PAGE 5412ESSP2416086THNOIPI-C 0