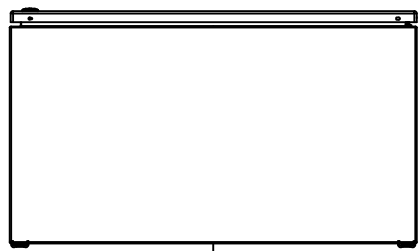
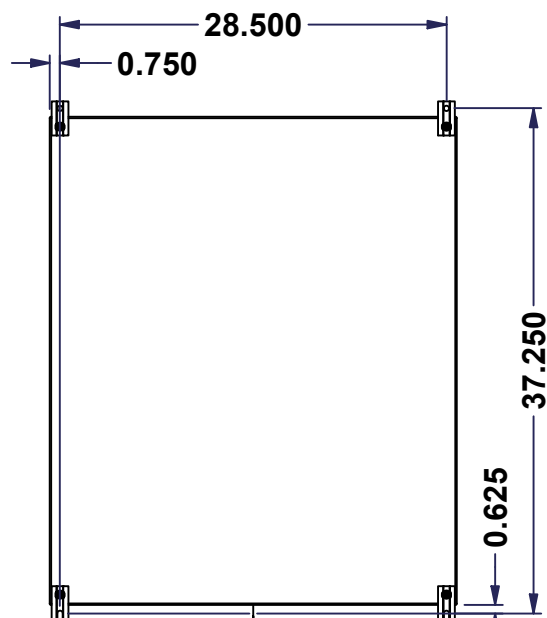


This drawing is confidential and must not be reproduced or used without the consent of EXM

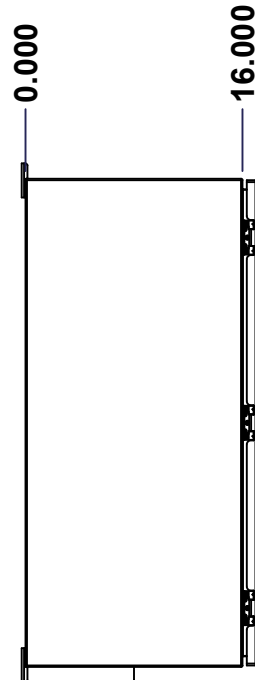
Ce dessin est confidentiel et ne doit pas être reproduit ou utilisé sans le consentement de EXM



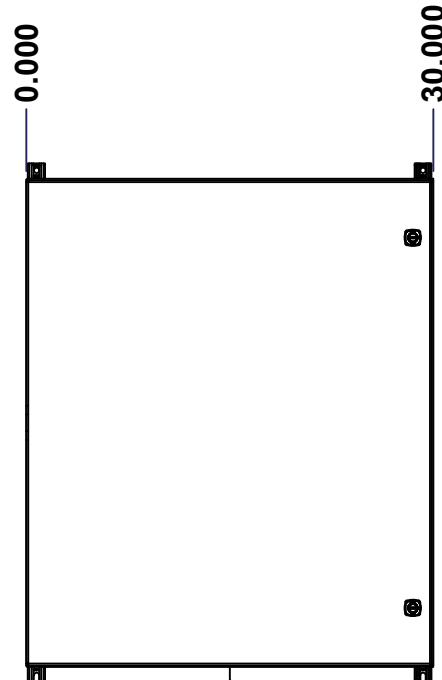
TOP



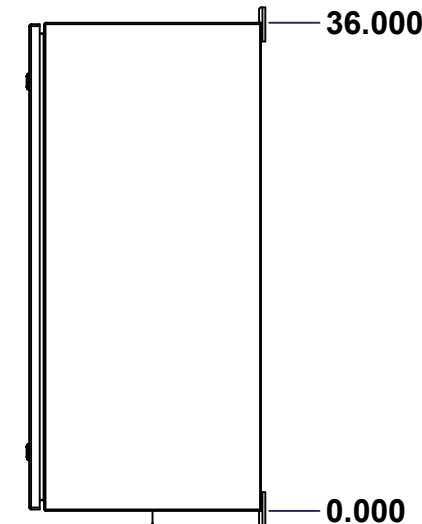
BACK



LEFT

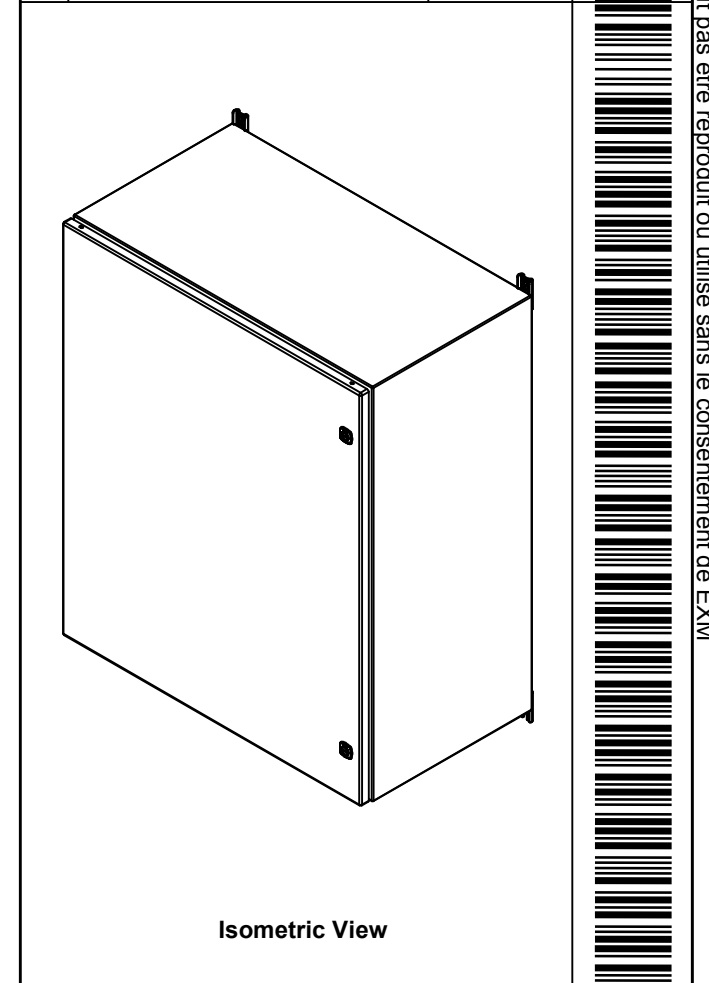


FRONT

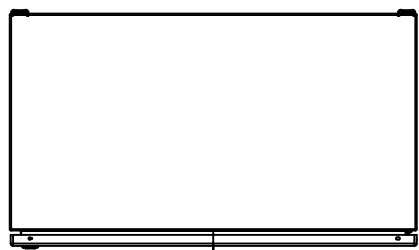


RIGHT


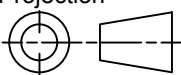
| No. | Revisions | Date | By/Par |
|-----|-----------|------|--------|
|     |           |      |        |
|     |           |      |        |
|     |           |      |        |
|     |           |      |        |
|     |           |      |        |



Isometric View



BOTTOM

|  |                                   |   |
|--|-----------------------------------|---|
|  Tél: (450) 979-4373<br>Fax: (450) 979-4626<br><a href="http://www.exmweb.com">www.exmweb.com</a> |                                   | Flatness<br>Aplatissement<br>Max 3.0mm<br>Projection<br> |
| Customer Client  | Date                              |   |
| Drawn By Dessiné Par   | BoxCad: BoxCad                    | Date 05-May-23  |
| Material Matière   | 14 Ga Stainless Steel 316 (1.7mm) |   |
| Color Couleur  | Asa-61 Grey                       | Finish Fini Smooth  |
| Description  | Detail Rev.                       |   |
| 5412ESSP 36" x 30" x 16" Assembly  |                                   |   |
| Part Number Numéro Pièce   | Rev. 0                            | 1 / 16  |

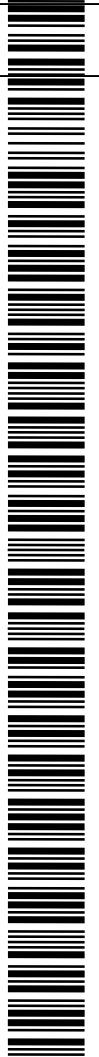
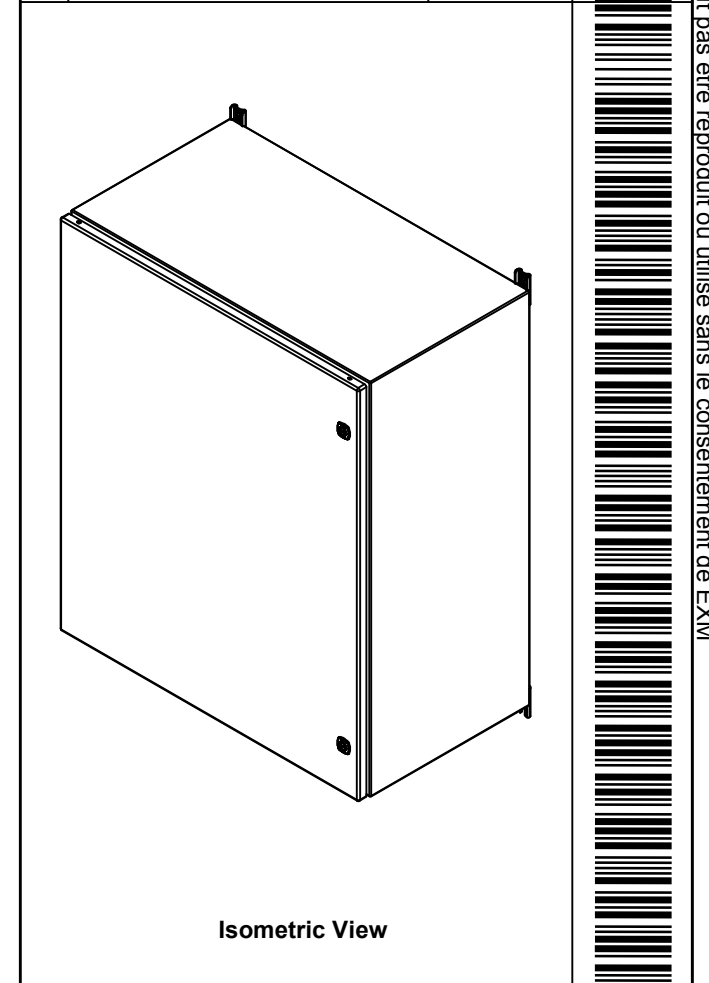
SEE BILL OF MATERIAL ON LAST PAGE 5412ESSP3630166THNOIP

This drawing is confidential and must not be reproduced or used without the consent of EXM

Ce dessin est confidentiel et ne doit pas être reproduit ou utilisé sans le consentement de EXM

| NOTE |   |
|------|---|
| ITEM | DESCRIPTION                                     |
| 1    | NEMA 4X Enclosure                               |
| 2    | C/W Standard ground studs on box and cover      |
| 3    | C/W Standard door stiffener                     |
| 4    | W/O Inner panel                                 |
| 5    | C/W Standard inner panel mounting studs         |
| 6    | C/W 885 ESMF4_OPEN Sold separately (Installed)  |
| 7    | C/W 885 ESMF4_CLOSE Sold separately (Installed) |
| 8    | C/W R5 Insulation (Installed by EXM)            |

| No. | Revisions | Date | By/Par |
|-----|-----------|------|--------|
|     |           |      |        |
|     |           |      |        |
|     |           |      |        |
|     |           |      |        |
|     |           |      |        |
|     |           |      |        |




 Tél: (450) 979-4373  
 Fax: (450) 979-4626  
[www.exmweb.com](http://www.exmweb.com)

Flatness / Aplatissement: Max 3.0mm  
 Projection: 

|  |                 |
|--|-----------------|
| Customer Client                        | Date            |
| Drawn By / Dessiné Par: BoxCad: BoxCad | Date: 05-May-23 |

Material / Matière: 14 Ga Stainless Steel 316 (1.7mm)

Color / Couleur: Asa-61 Grey      Finish / Fini: Smooth

Description: 5412ESSP 36" x 30" x 16" Assembly      Detail Rev.

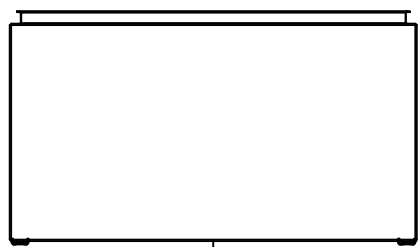
Part Number / Numéro Pièce: **5412ESSP3630166THNOIP**      Rev. **0**      2/16

|            |                            |     |  |
|------------|----------------------------|-----|--|
| 6          | STK-Q-00600                | 2   | M12 to M8 Adaptor  |
| 1          | STK-K-01800                | 5   | 5412 ES Accessory Kit  |
| 1          | 5412ESSP3630166THNOI<br>PC | 0   | 5412ESSP 36" x 30" Cover   |
| 1          | 5412ESSP3630166THNOI<br>PB | 0   | 5412ESSP 36" x 30" x 16" Body  |
| 3          | STK-Q-04051-08             | 1   | M6 x 8mm Stainless Steel Hexagon Socket Head Machine Screw with Nyseal |
| Qty        | Part Number                | Rev | Description  |
| Parts List |                            |     |  |

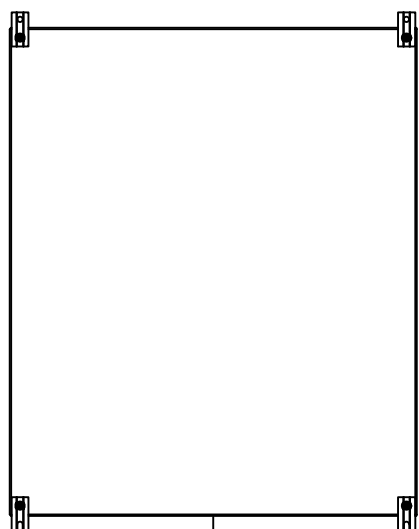
| PACKING               |     |  |
|-----------------------|-----|--|
| ITEM                  | QTY | DESCRIPTION                                |
| Cardboard sleeve      | 2   | Top and Bottom                             |
| Cardboard strip       | 2   | Between back of enclosure and inner panel  |
| Plastic bag           | 1   | To protect cover surface and inside gasket |
| Plastic strap - Black | 2   | To Squeeze the 2 cardboard sleeve together |
| Packaging label       | 1   | White label with product number            |

This drawing is confidential and must not be reproduced or used without the consent of EXM

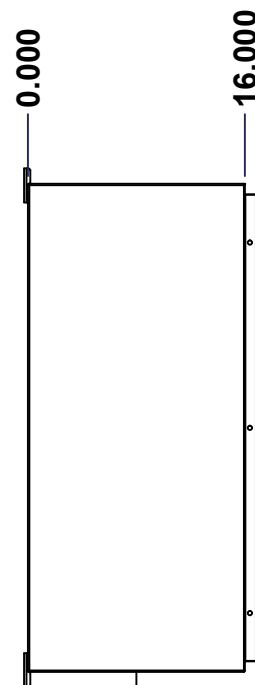
Ce dessin est confidentiel et ne doit pas être reproduit ou utilisé sans le consentement de EXM



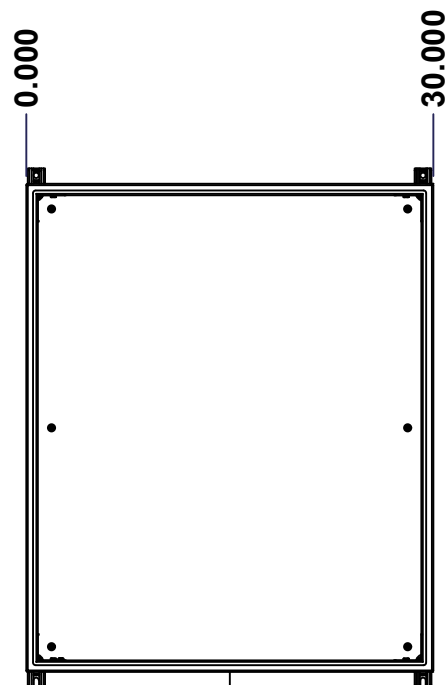
TOP



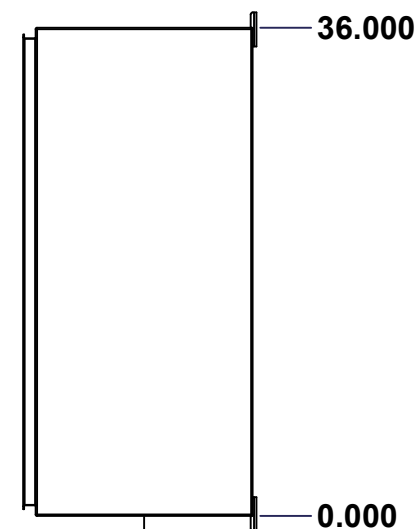
BACK



LEFT



FRONT

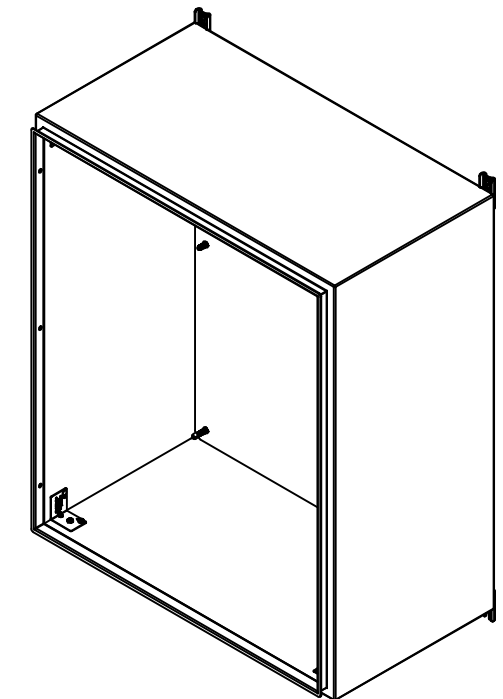
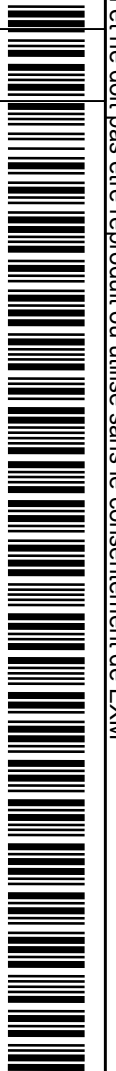


RIGHT



BOTTOM

| No. | Revisions | Date | By/Par |
|-----|-----------|------|--------|
|     |           |      |        |
|     |           |      |        |
|     |           |      |        |
|     |           |      |        |



Isometric View

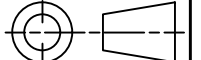


Tél: (450) 979-4373  
 Fax: (450) 979-4626  
[www.exmweb.com](http://www.exmweb.com)

Flatness  
Aplatissement

Max 5.0mm

Projection



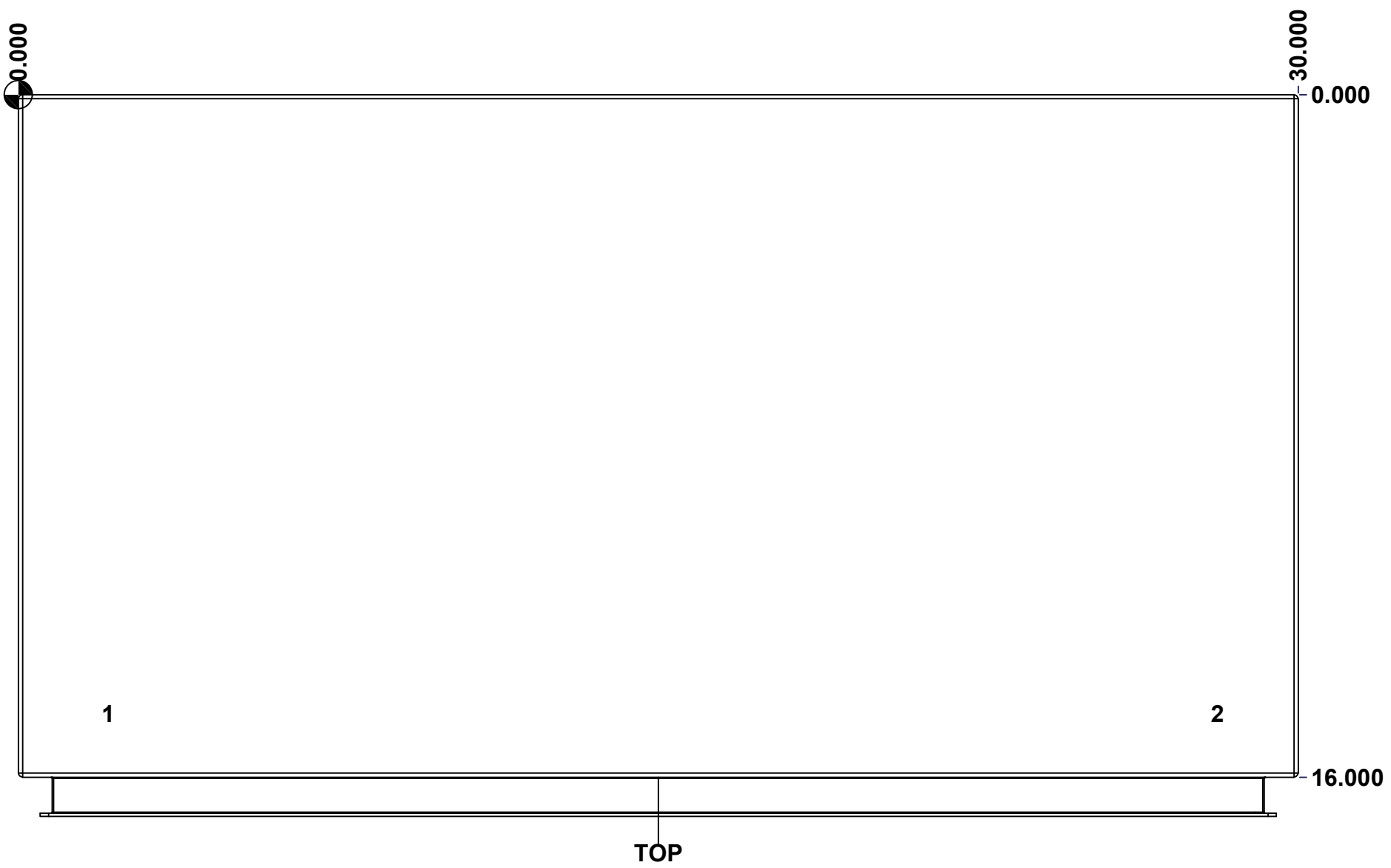
|   |                       |
|---|-----------------------|
| Customer Client                                       | Date                  |
| Drawn By / Dessiné Par: BoxCad: BoxCad                | Date: 05-May-23       |
| Material / Matière: 14 Ga Stainless Steel 316 (1.7mm) |                       |
| Color / Couleur: Asa-61 Grey                          | Finish / Fini: Smooth |
| Description: 5412ESSP 36" x 30" x 16" Body            | Detail Rev.           |
| Part Number / Numéro Pièce                            | Rev. 3                |

SEE BILL OF MATERIAL ON LAST PAGE 5412ESSP3630166THNOIPB 0

This drawing is confidential and must not be reproduced or used without the consent of EXM

Ce dessin est confidentiel et ne doit pas être reproduit ou utilisé sans le consentement de EXM

| STANDARD FEATURES ARE NOT LISTED IN THIS HOLE TABLE |        |        |                                |
|---|--------|--------|--------------------------------|
| HOLE TABLE - TOP VIEW (CUSTOM FEATURE ONLY)         |        |        |                                |
| CUT-OUT   | XDIM   | YDIM   | DESCRIPTION                    |
| 1   | 2.000  | 14.500 | INSUL. STUD M6 x 18mm (Inside) |
| 2   | 28.000 | 14.500 | INSUL. STUD M6 x 18mm (Inside) |

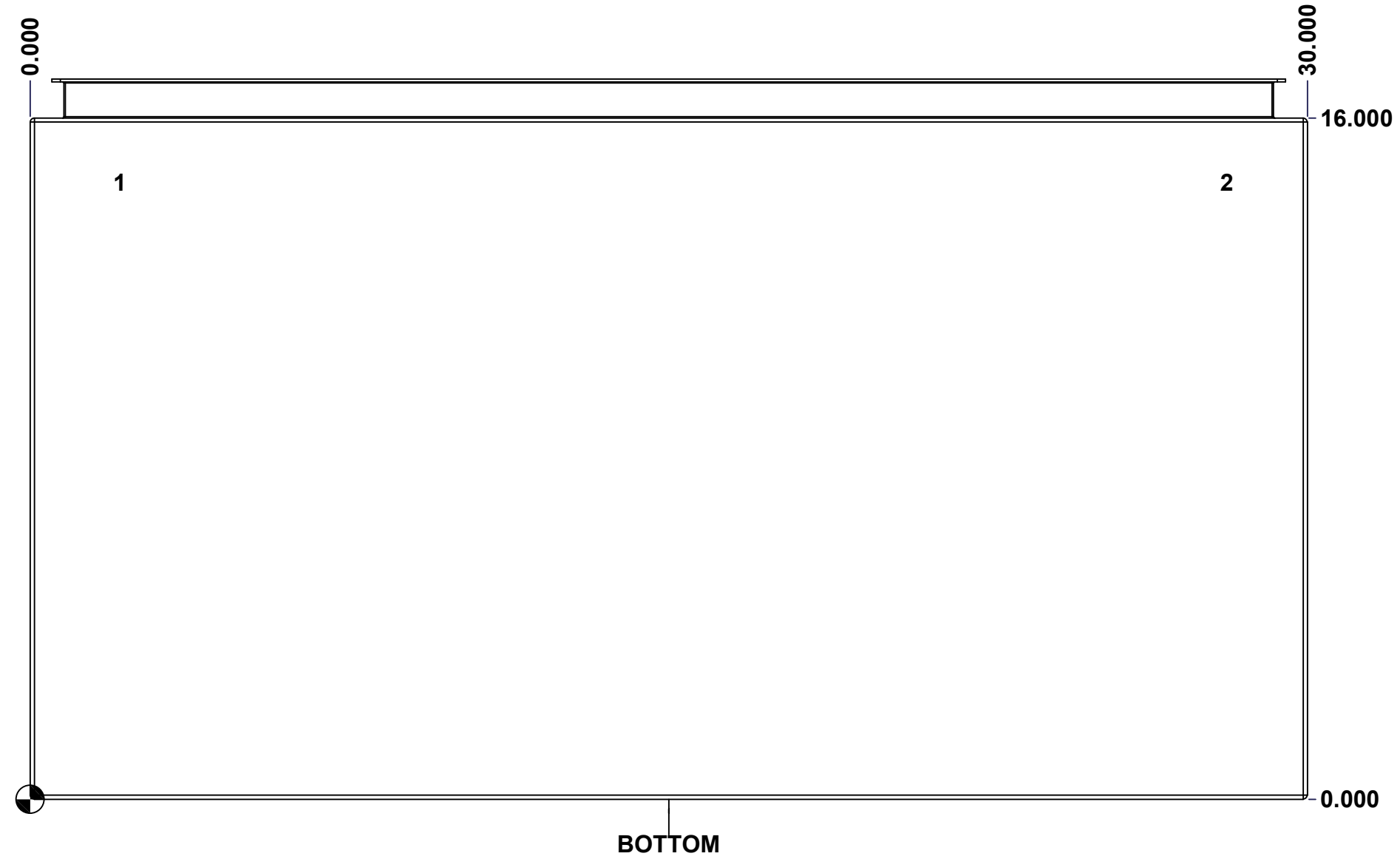


|  |                               |        |
|--|-------------------------------|--------|
|  | Description                   | Status |
|  | 5412ESSP 36" x 30" x 16" Body | (NULL) |
|  | Part Number<br>Numéro Pièce   | Rev.   |
|  | <b>5412ESSP3630166THNOIPB</b> | 4      |
|  | <b>0</b>                      | 16     |

This drawing is confidential and must not be reproduced or used without the consent of EXM

Ce dessin est confidentiel et ne doit pas être reproduit ou utilisé sans le consentement de EXM

| <b>STANDARD FEATURES ARE NOT LISTED IN THIS HOLE TABLE</b> |        |        |                                |
|--|--------|--------|--------------------------------|
| <b>HOLE TABLE - BOTTOM VIEW (CUSTOM FEATURE ONLY)</b>      |        |        |                                |
| CUT-OUT  | XDIM   | YDIM   | DESCRIPTION                    |
| 1  | 2.000  | 14.500 | INSUL. STUD M6 x 18mm (Inside) |
| 2  | 28.000 | 14.500 | INSUL. STUD M6 x 18mm (Inside) |



|                               |                               |          |        |    |
|-------------------------------|-------------------------------|----------|--------|----|
|                               | Description                   |          | Status |    |
|                               | 5412ESSP 36" x 30" x 16" Body |          | (NULL) |    |
| Part Number<br>Numéro Pièce   |                               | Rev.     | 5      | 16 |
| <b>5412ESSP3630166THNOIPB</b> |                               | <b>0</b> |        |    |

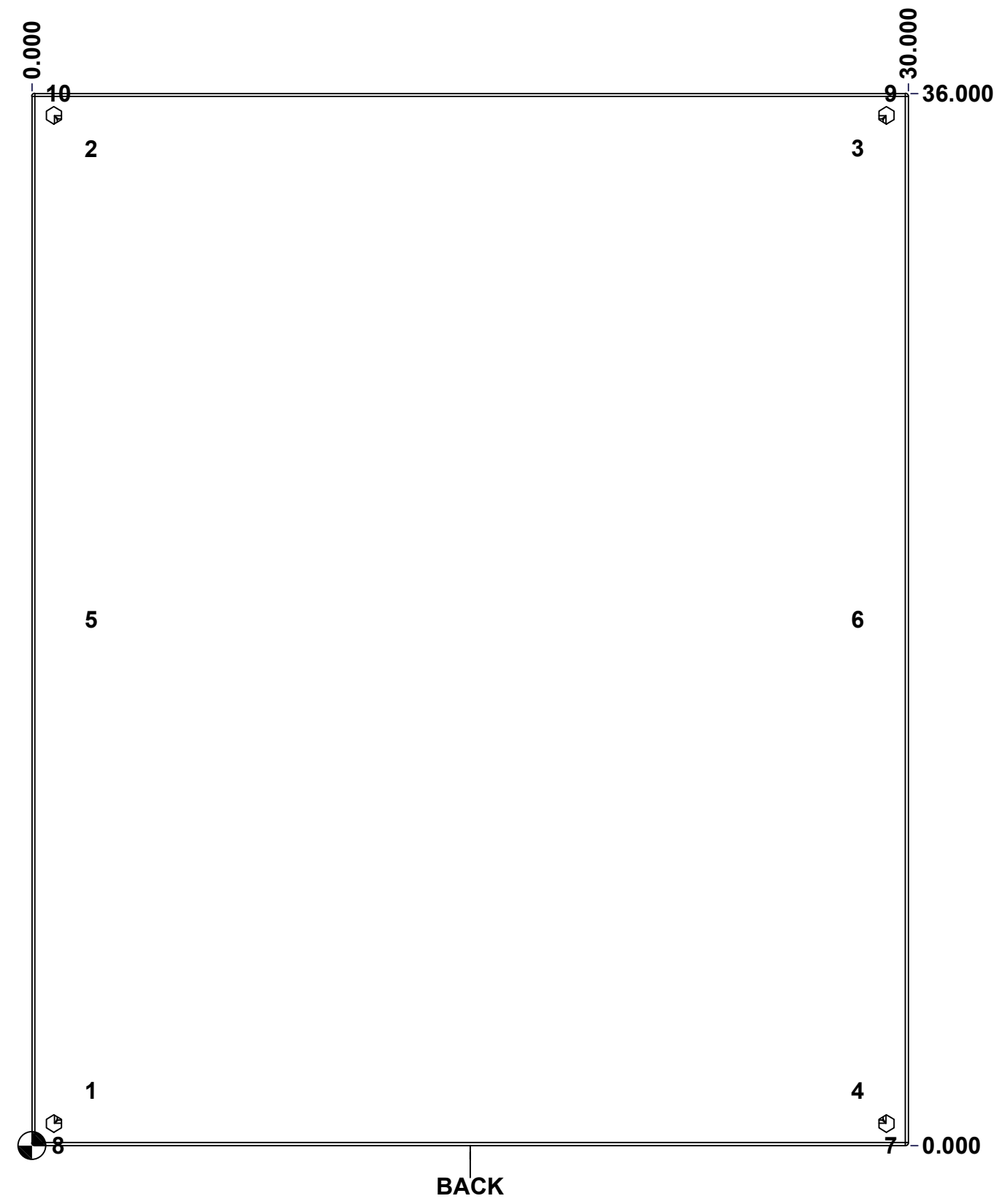
This drawing is confidential and must not be reproduced or used without the consent of EXM

Ce dessin est confidentiel et ne doit pas être reproduit ou utilisé sans le consentement de EXM

**STANDARD FEATURES ARE NOT LISTED IN THIS HOLE TABLE**

**HOLE TABLE - BACK VIEW (CUSTOM FEATURE ONLY)**

| CUT-OUT | XDIM   | YDIM   | DESCRIPTION                |
|---------|--------|--------|----------------------------|
| 1       | 1.875  | 1.875  | IP STUD M8 x 35mm (Inside) |
| 2       | 1.875  | 34.125 | IP STUD M8 x 35mm (Inside) |
| 3       | 28.125 | 34.125 | IP STUD M8 x 35mm (Inside) |
| 4       | 28.125 | 1.875  | IP STUD M8 x 35mm (Inside) |
| 5       | 1.875  | 18.000 | IP STUD M8 x 35mm (Inside) |
| 6       | 28.125 | 18.000 | IP STUD M8 x 35mm (Inside) |
| -----   |        |        |                            |
| 7       | 29.250 | 0.000  | FOOT 885 ESMF4_OPEN        |
| 8       | 0.750  | 0.000  | FOOT 885 ESMF4_OPEN        |
| 9       | 29.250 | 36.000 | FOOT 885 ESMF4_CLOSE       |
| 10      | 0.750  | 36.000 | FOOT 885 ESMF4_CLOSE       |

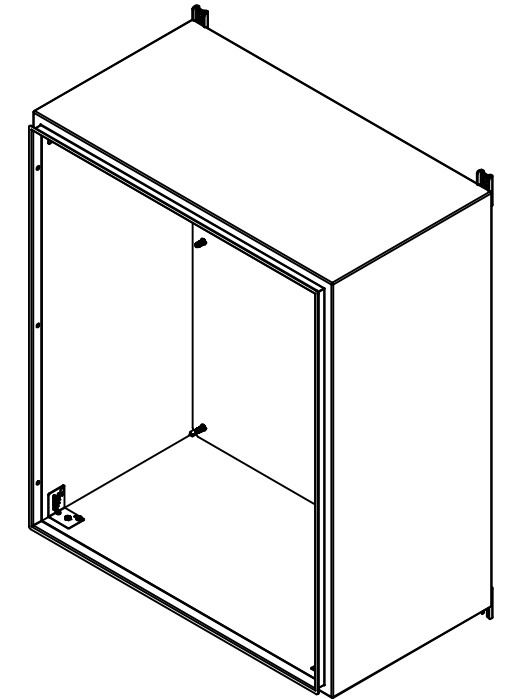


|  |                               |          |
|--|-------------------------------|----------|
|  | Description                   | Status   |
|  | 5412ESSP 36" x 30" x 16" Body | (NULL)   |
|  | Part Number<br>Numéro Pièce   | Rev.     |
|  | <b>5412ESSP3630166THNOIPB</b> | 6        |
|  |                               | <b>0</b> |
|  |                               | 16       |

This drawing is confidential and must not be reproduced or used without the consent of EXM

Ce dessin est confidentiel et ne doit pas être reproduit ou utilisé sans le consentement de EXM

| No. | Revisions | Date | By/Par |
|-----|-----------|------|--------|
|     |           |      |        |
|     |           |      |        |
|     |           |      |        |
|     |           |      |        |
|     |           |      |        |



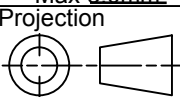


Isometric View



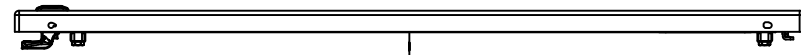
|   |                            |   |   |
|---|----------------------------|---|---|
| 2 | 885ESMF4-FEET              | 0 | 885 ESMF4 Stainless Steel Mounting Foot               |
| 4 | RIVET_NUT_SS_M10_FH_CE     | 0 | Stainless Steel Rivet Nut M10 (Low Profile Close End) |
| 4 | STK-Q-06670                | 2 | M10 x 16mm Stainless Steel Machine Screw              |
| 2 | 885ESMF4-FEET-A            | 0 | 885 ESMF4 Stainless Steel Mounting Foot (Opened Slot) |
| 1 | STK-K-70554                | 3 | 5412 ESTH Accessory Kit                               |
| 1 | 5412ESSP3630166THNOI-PI-RS | 0 | 5412ESSP 36" x 30" Right Insulation                   |
| 1 | 5412ESSP3630166THNOI-PI-LS | 0 | 5412ESSP 36" x 30" Left Insulation                    |
| 1 | 5412ESSP3630166THNOI-PI-BT | 0 | 5412ESSP 36" x 30" Top and Bottom Insulation          |
| 1 | 5412ESSP3630166THNOI-PI-TP | 0 | 5412ESSP 36" x 30" Top and Bottom Insulation          |
| 1 | 5412ESSP3630166THNOI-PI-B  | 0 | 5412ESSP 36" x 30" Back Insulation                    |
| 4 | STK-Q-16070                | 1 | Stud M6 x 18mm Stainless steel                        |
| 1 | STK-P-02400S               | 0 | Powder Paint (Asa-61 Grey / Smooth)                   |
| 6 | STK-Q-16020                | 1 | Stud M8 x 35mm Stainless Steel                        |
| 1 | 5412ESSP3630166THNOI-PB-P  | 0 | 5412ESSP 36" x 30" x 16" Body Part                    |

| Qty        | Part Number | Rev | Description |
|------------|-------------|-----|-------------|
| Parts List |             |     |             |

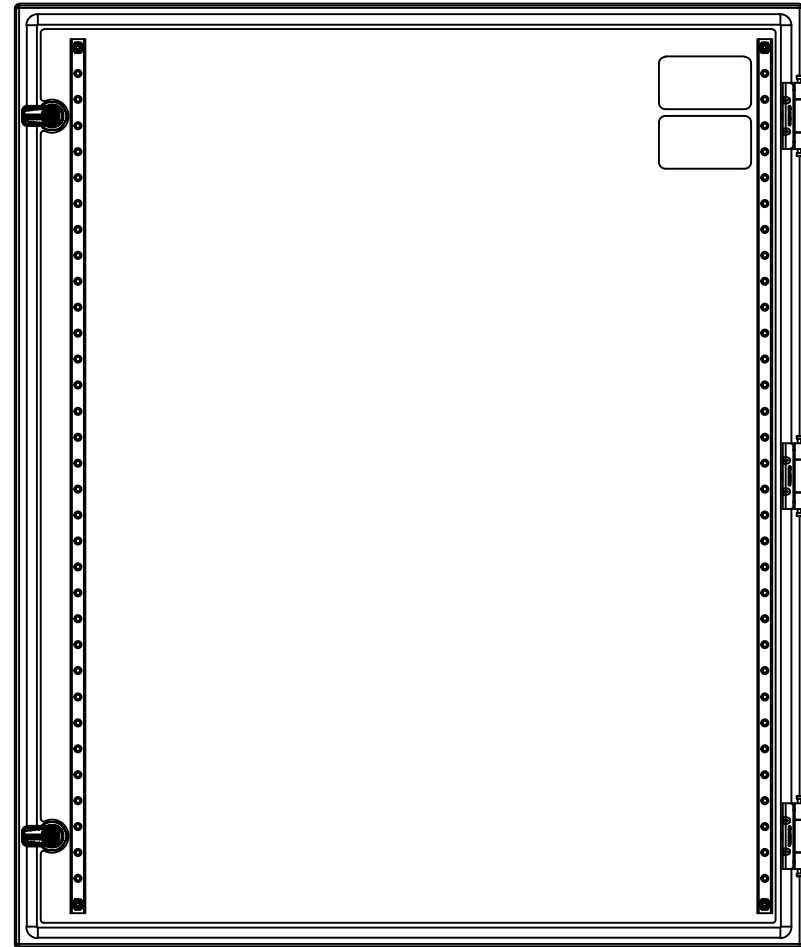
|  |  |  |
|--|--|--|
|  Tél: (450) 979-4373<br>Fax: (450) 979-4626<br><a href="http://www.exmweb.com">www.exmweb.com</a> |  | Flatness<br>Aplatissement<br> Max 5.0mm |
| Customer Client<br>Drawn By / Dessiné Par: BoxCad: BoxCad<br>Material / Matière: 14 Ga Stainless Steel 316 (1.7mm)   |  | Projection<br>                          |
| Color / Couleur: Asa-61 Grey<br>Finish / Fini: Smooth  |  | Date: 05-May-23  |
| Description: 5412ESSP 36" x 30" x 16" Body   |  | Detail Rev.  |
| Part Number / Numéro Pièce: <b>5412ESSP3630166THNOIPB</b>  |  | Rev. 7   |

This drawing is confidential and must not be reproduced or used without the consent of EXM

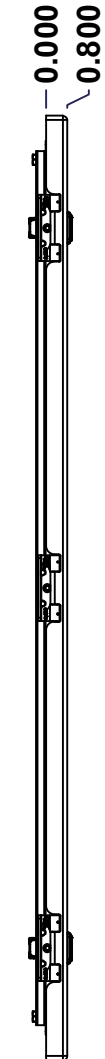
Ce dessin est confidentiel et ne doit pas être reproduit ou utilisé sans le consentement de EXM



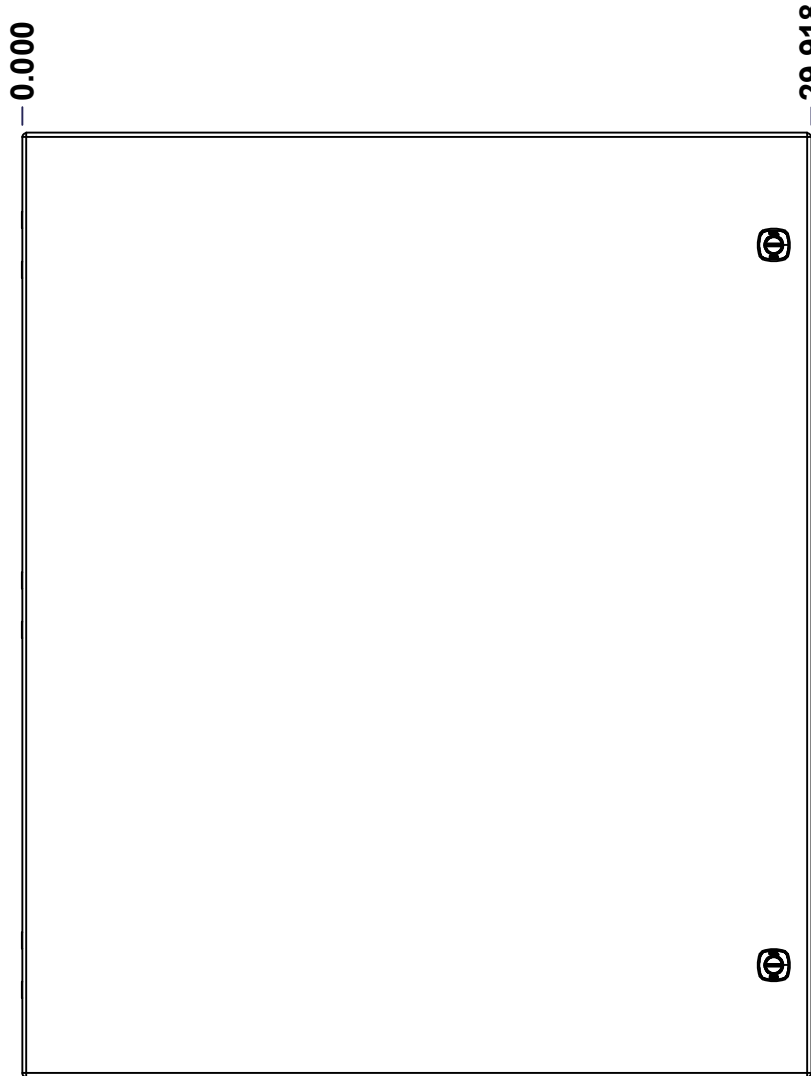
TOP



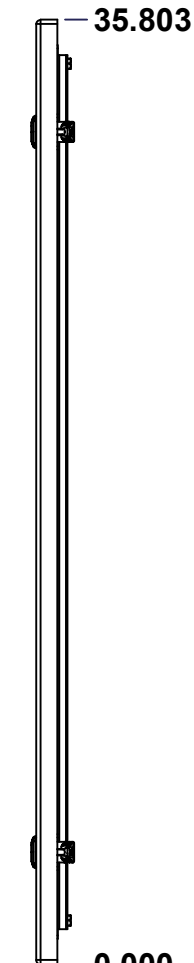
BACK



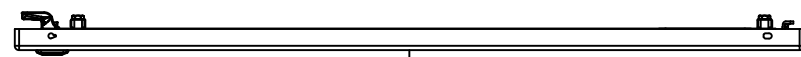
LEFT



FRONT

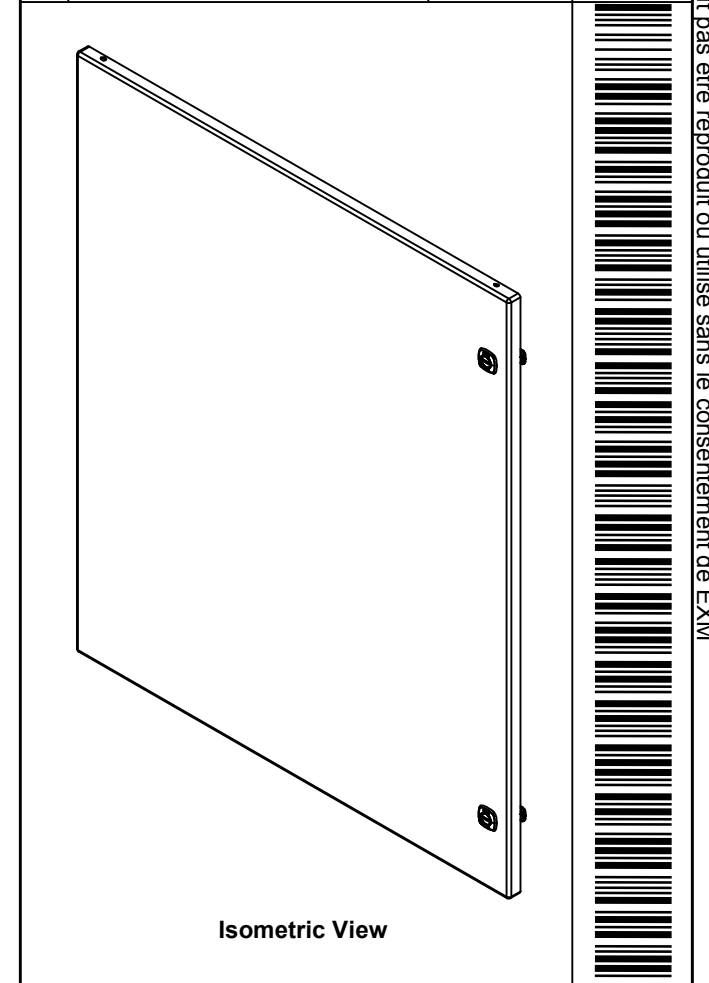


RIGHT



BOTTOM

| No. | Revisions | Date | By/Par |
|-----|-----------|------|--------|
|     |           |      |        |
|     |           |      |        |
|     |           |      |        |
|     |           |      |        |



Isometric View



|  |                                   |  |
|--|-----------------------------------|--|
| Tél: (450) 979-4373<br>Fax: (450) 979-4626<br><a href="http://www.exmweb.com">www.exmweb.com</a> |                                   | Flatness<br>Aplatissement<br>Max 5.0mm<br>Projection<br> |
| Customer Client  | Date                              |  |
| Drawn By<br>Dessiné Par  | BoxCad: BoxCad                    | Date 05-May-23   |
| Material<br>Matière  | 14 Ga Stainless Steel 316 (1.7mm) |  |
| Color<br>Couleur   | Asa-61 Grey                       | Finish<br>Fini Smooth                                    |
| Description  | Detail Rev.                       |  |
| 5412ESSP 36" x 30" Cover   |                                   |  |
| Part Number<br>Numéro Pièce  | Rev. 8                            | 0  |

SEE BILL OF MATERIAL ON LAST PAGE 5412ESSP3630166THNOIPC



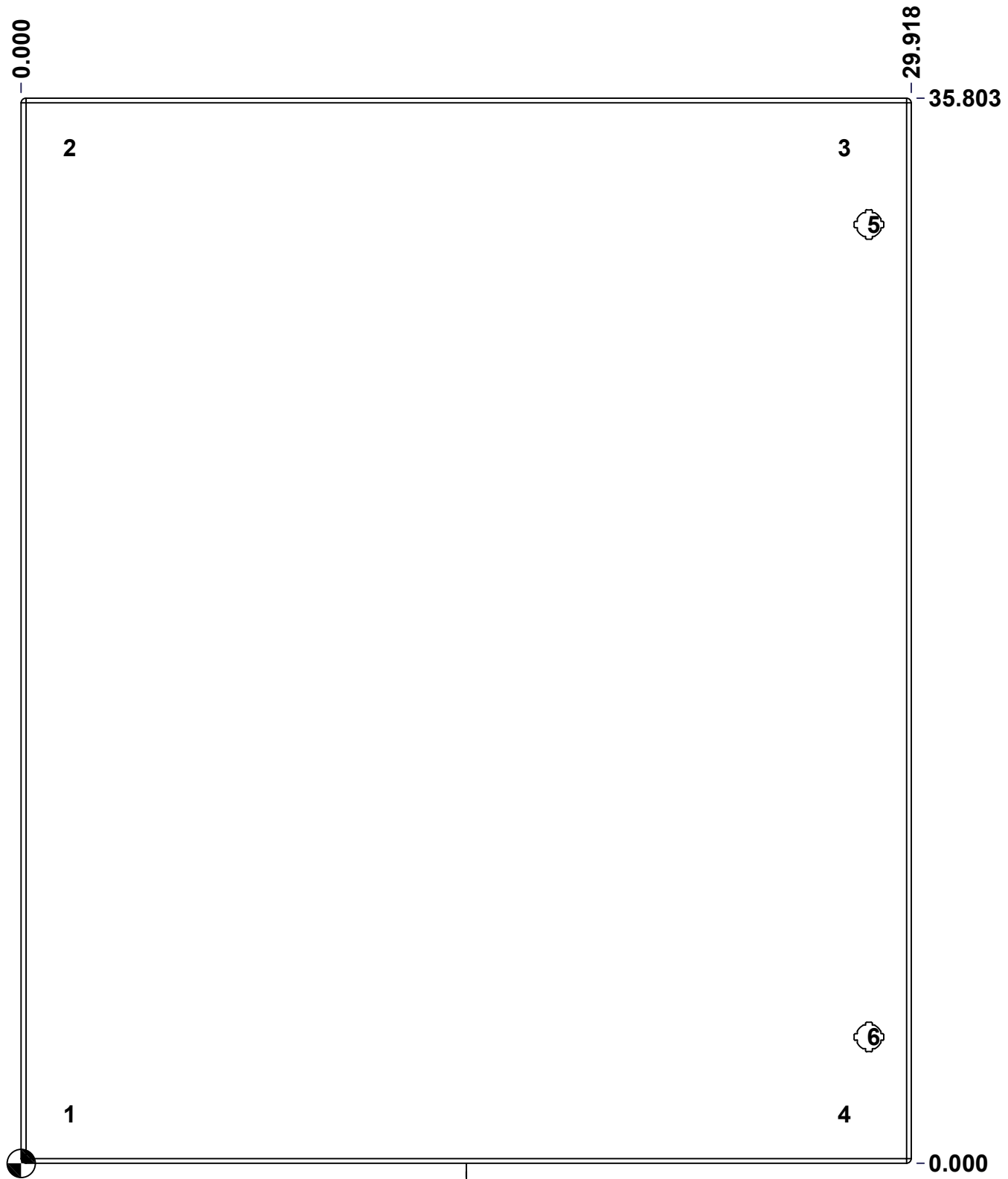
This drawing is confidential and must not be reproduced or used without the consent of EXM

Ce dessin est confidentiel et ne doit pas être reproduit ou utilisé sans le consentement de EXM

**STANDARD FEATURES ARE NOT LISTED IN THIS HOLE TABLE**

**HOLE TABLE - FRONT VIEW (CUSTOM FEATURE ONLY)**

| CUT-OUT | XDIM   | YDIM   | DESCRIPTION             |
|---------|--------|--------|-------------------------|
| 1       | 1.486  | 1.661  | STUD M6 x 18mm (Inside) |
| 2       | 1.486  | 34.142 | STUD M6 x 18mm (Inside) |
| 3       | 27.517 | 34.142 | STUD M6 x 18mm (Inside) |
| 4       | 27.517 | 1.661  | STUD M6 x 18mm (Inside) |
| -----   |        |        |                         |
| 5       | 28.494 | 31.553 | 880 SCQ4-SLSS6          |
| 6       | 28.494 | 4.250  | 880 SCQ4-SLSS6          |



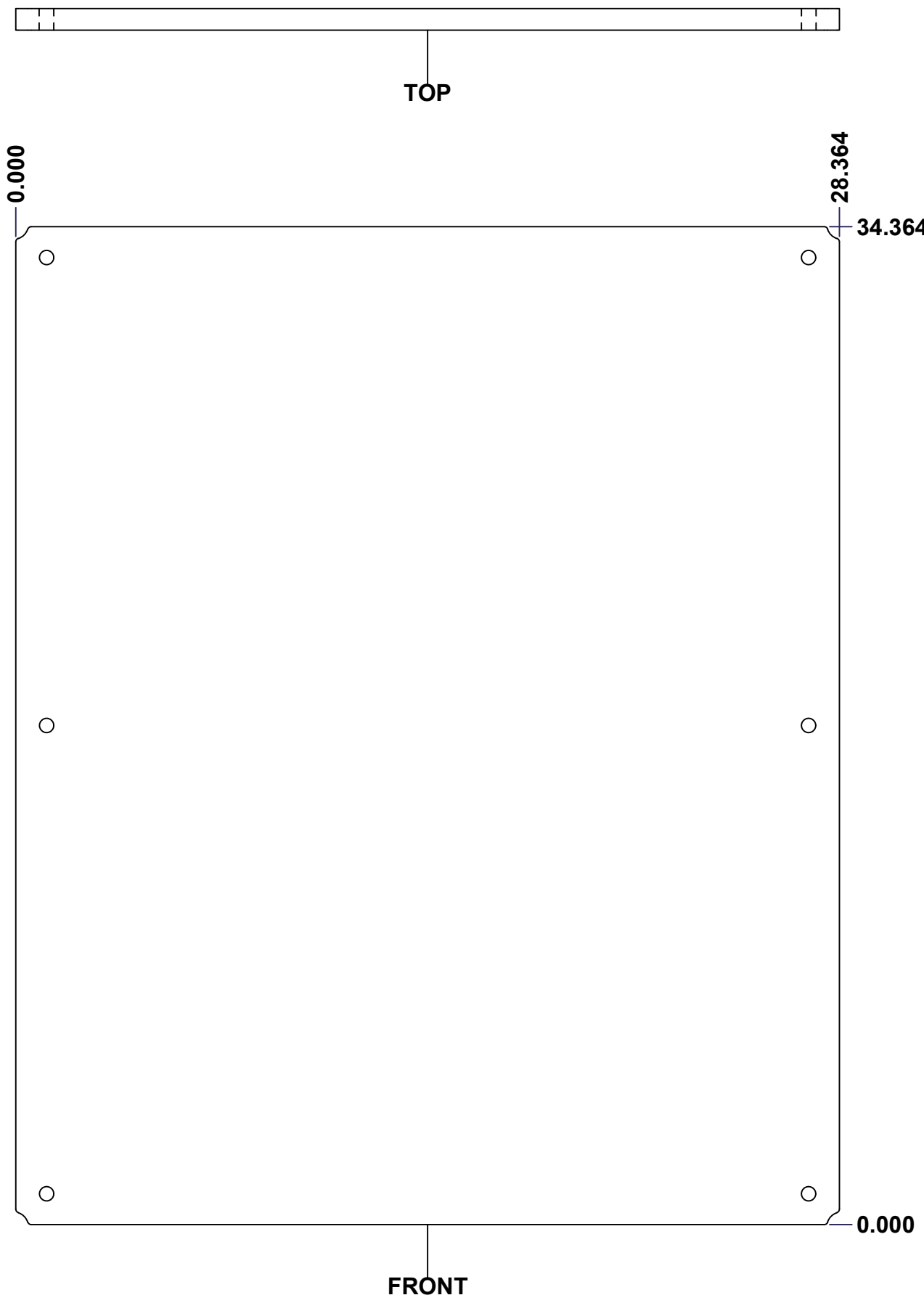
FRONT

|  |                               |        |
|--|-------------------------------|--------|
|  | Description                   | Status |
|  | 5412ESSP 36" x 30" Cover      | (NULL) |
|  | Part Number<br>Numéro Pièce   | Rev.   |
|  | <b>5412ESSP3630166THNOIPC</b> | 9      |
|  | <b>0</b>                      | 16     |



This drawing is confidential and must not be reproduced or used without the consent of EXM

Ce dessin est confidentiel et ne doit pas être reproduit ou utilisé sans le consentement de EXM



| No. | Revisions | Date | By/Par |
|-----|-----------|------|--------|
|     |           |      |        |
|     |           |      |        |
|     |           |      |        |
|     |           |      |        |
|     |           |      |        |

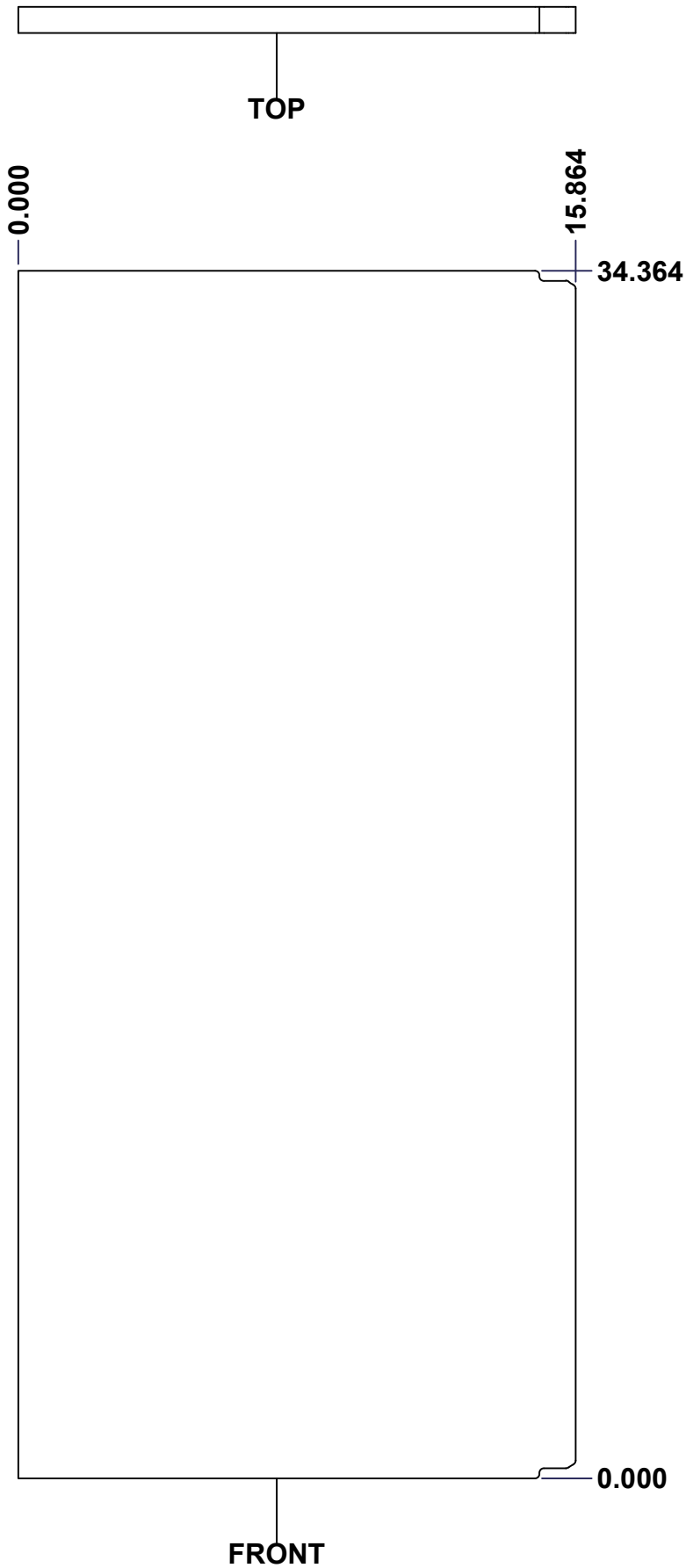
**Isometric View**

|   |  |                           |             |
|---|--|---------------------------|-------------|
| <p>Tél: (450) 979-4373<br/>                 Fax: (450) 979-4626<br/> <a href="http://www.exmweb.com">www.exmweb.com</a></p> |  | Flatness<br>Aplatissement |             |
|   |  | Max 3.0mm                 |             |
| Customer<br>Client  |  | Date                      |             |
| Drawn By<br>Dessiné Par   |  | Date                      |             |
| Material<br>Matière   |  | Polyisocyanurate          |             |
| Color<br>Couleur  |  | Finish<br>Fini            |             |
| Aluminum  |  | N/A                       |             |
| Description   |  |                           | Detail Rev. |
| 5412ESSP 36" x 30" Back Insulation  |  |                           |             |
| Part Number<br>Numéro Pièce   |  | Rev.                      | 11          |
| 5412ESSP3630166THNOIP-B   |  | 0                         | 16          |

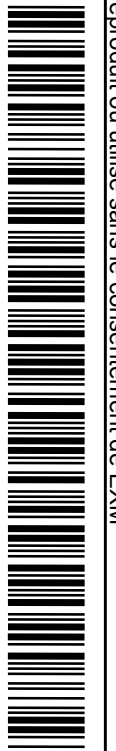
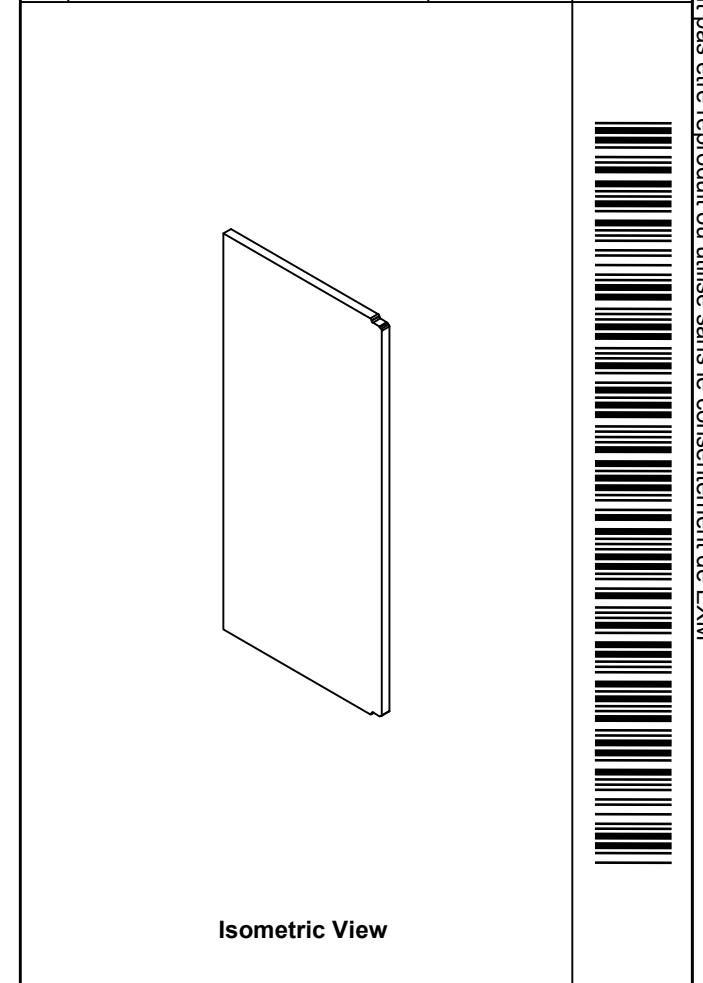
SEE BILL OF MATERIAL ON LAST PAGE


This drawing is confidential and must not be reproduced or used without the consent of EXM

Ce dessin est confidentiel et ne doit pas être reproduit ou utilisé sans le consentement de EXM



| No. | Revisions | Date | By/Par |
|-----|-----------|------|--------|
|     |           |      |        |
|     |           |      |        |
|     |           |      |        |
|     |           |      |        |
|     |           |      |        |

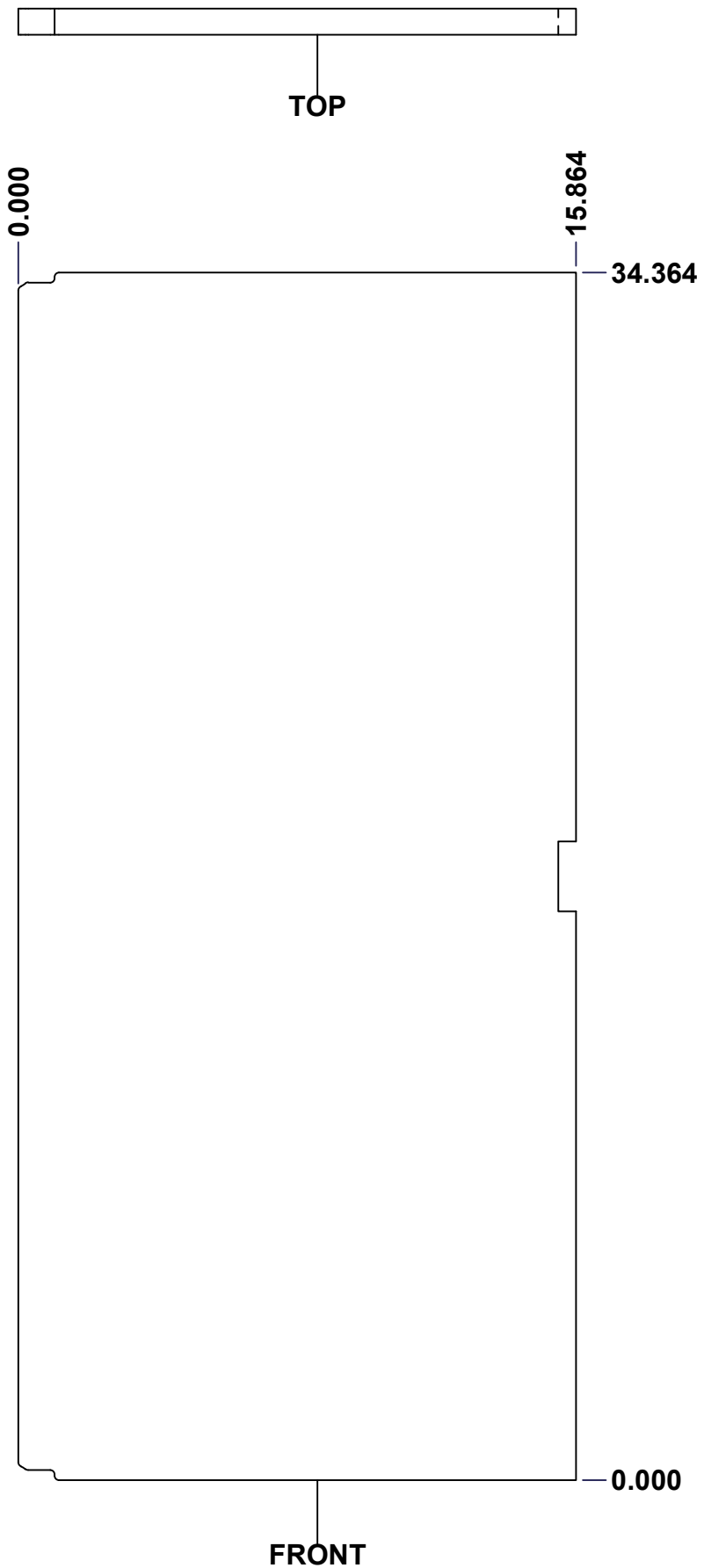


|  |  |                           |             |
|--|--|---------------------------|-------------|
|  Tél: (450) 979-4373<br>Fax: (450) 979-4626<br><a href="http://www.exmweb.com">www.exmweb.com</a> |  | Flatness<br>Aplatissement |             |
|  |  | Max 3.0mm                 |             |
| Customer<br>Client   |  | Date                      |             |
| Drawn By<br>Dessiné Par  |  | Date                      |             |
| Material<br>Matière  |  | Polyisocyanurate          |             |
| Color<br>Couleur   |  | Finish<br>Fini            |             |
| Aluminum   |  | N/A                       |             |
| Description  |  |                           | Detail Rev. |
| 5412ESSP 36" x 30" Left Insulation   |  |                           |             |
| Part Number<br>Numéro Pièce  |  | Rev.                      | 12          |
| 5412ESSP3630166THNOIPI-LS 0  |  |                           | 16          |

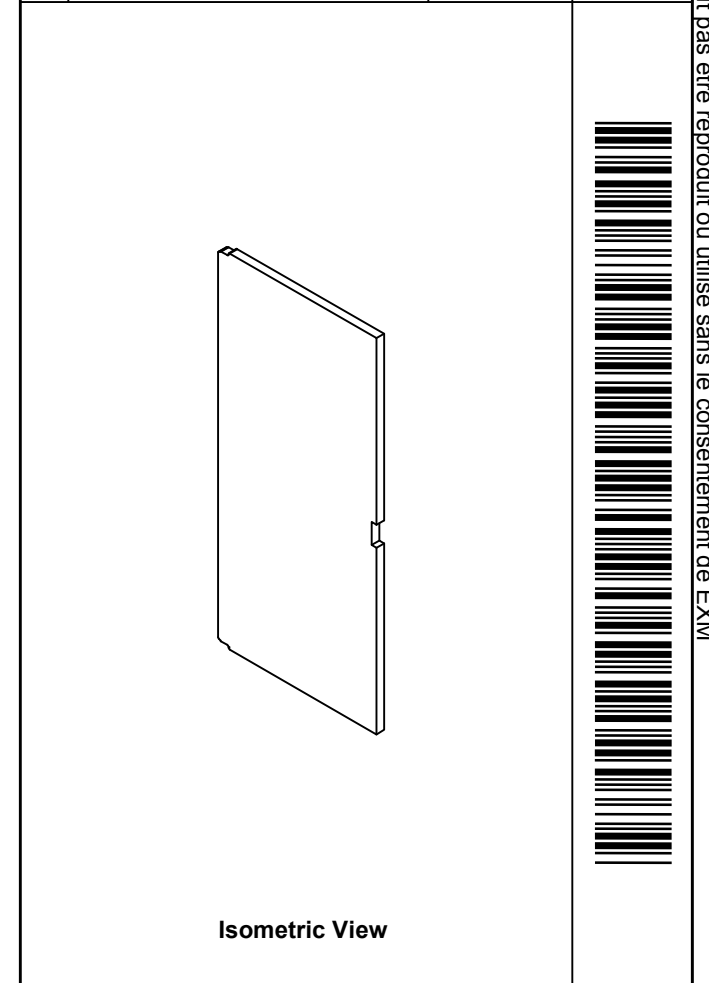
SEE BILL OF MATERIAL ON LAST PAGE


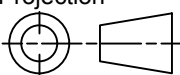
This drawing is confidential and must not be reproduced or used without the consent of EXM

Ce dessin est confidentiel et ne doit pas être reproduit ou utilisé sans le consentement de EXM



| No. | Revisions | Date | By/Par |
|-----|-----------|------|--------|
|     |           |      |        |
|     |           |      |        |
|     |           |      |        |
|     |           |      |        |
|     |           |      |        |

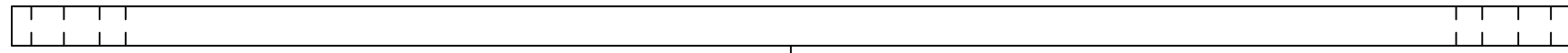


|  |                    |   |
|--|--------------------|---|
|  Tél: (450) 979-4373<br>Fax: (450) 979-4626<br><a href="http://www.exmweb.com">www.exmweb.com</a> |                    | Flatness<br>Aplatissement<br>Max 3.0mm  |
| Customer Client  |                    | Projection<br> |
| Drawn By / Dessiné Par: BoxCad: Patrick Deschenes  |                    | Date: 23-Jan-07   |
| Material / Matière: Polyisocyanurate   |                    |   |
| Color / Couleur: Aluminum  | Finish / Fini: N/A |   |
| Description: 5412ESSP 36" x 30" Right Insulation   |                    | Detail Rev.   |
| Part Number / Numéro Pièce: 5412ESSP3630166THNOIP-RS 0   |                    | Rev. 13   |

SEE BILL OF MATERIAL ON LAST PAGE

This drawing is confidential and must not be reproduced or used without the consent of EXM

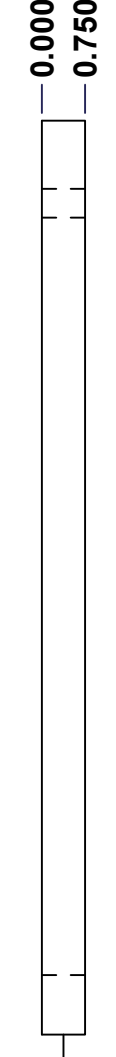
Ce dessin est confidentiel et ne doit pas être reproduit ou utilisé sans le consentement de EXM



TOP

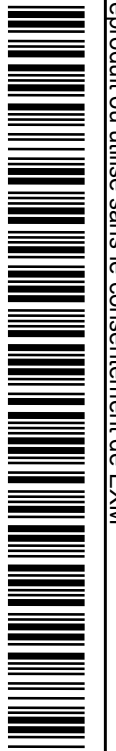
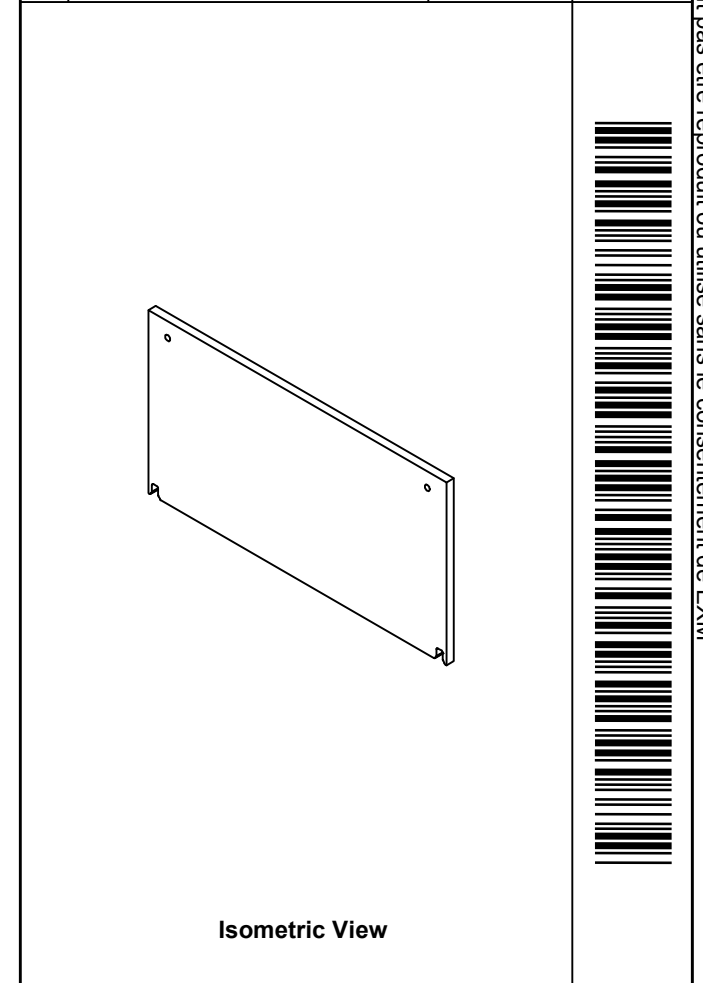



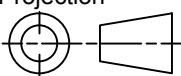
FRONT



RIGHT

| No. | Revisions | Date | By/Par |
|-----|-----------|------|--------|
|     |           |      |        |
|     |           |      |        |
|     |           |      |        |
|     |           |      |        |



|  |                           |   |
|--|---------------------------|---|
|  Tél: (450) 979-4373<br>Fax: (450) 979-4626<br><a href="http://www.exmweb.com">www.exmweb.com</a> |                           | Flatness<br>Aplatissement<br>Max 3.0mm<br>Projection<br> |
| Customer Client  | Date                      |   |
| Drawn By<br>Dessiné Par  | BoxCad: Patrick Deschenes | Date 23-Jan-07  |
| Material<br>Matière  | Polyisocyanurate          |   |
| Color<br>Couleur   | Aluminum                  | Finish<br>Fini N/A  |
| Description  | Detail Rev.               |   |
| 5412ESSP 36" x 30" Top and Bottom Insulation   |                           |   |
| Part Number<br>Numéro Pièce  | Rev.                      | 14  |
|  |                           | 16  |

SEE BILL OF MATERIAL ON LAST PAGE 5412ESSP3630166THNOIPI-TP 0

This drawing is confidential and must not be reproduced or used without the consent of EXM

Ce dessin est confidentiel et ne doit pas être reproduit ou utilisé sans le consentement de EXM

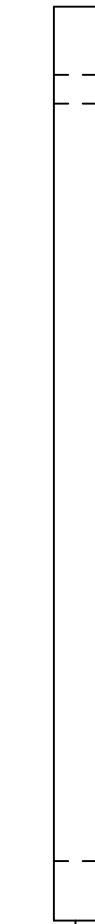


TOP



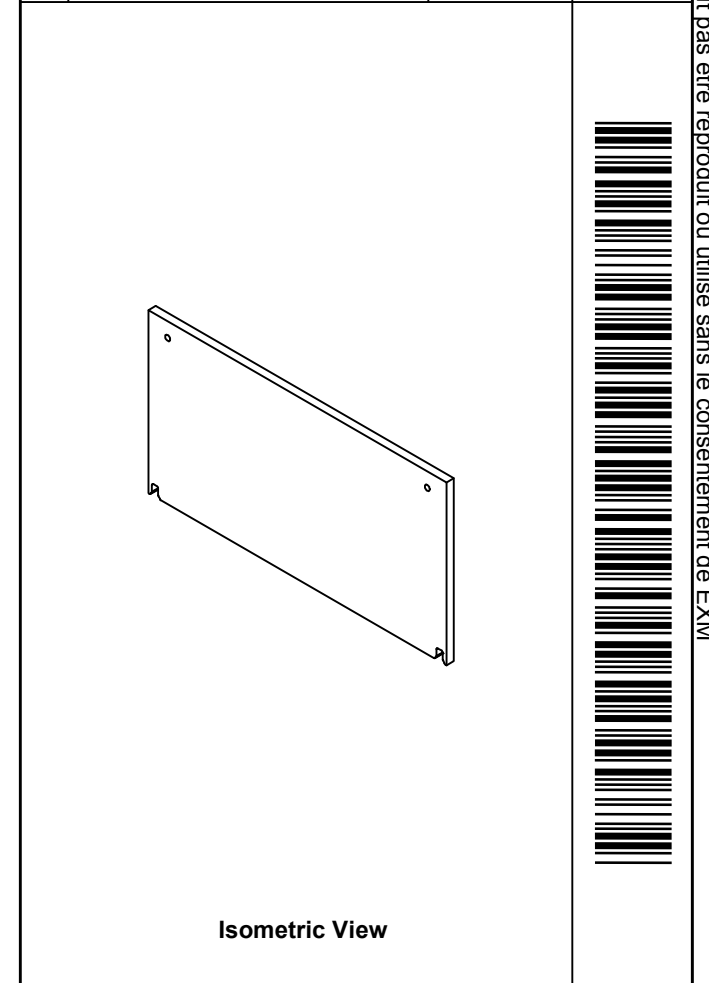
FRONT


0.000  
0.750



RIGHT

| No. | Revisions | Date | By/Par |
|-----|-----------|------|--------|
|     |           |      |        |
|     |           |      |        |
|     |           |      |        |
|     |           |      |        |

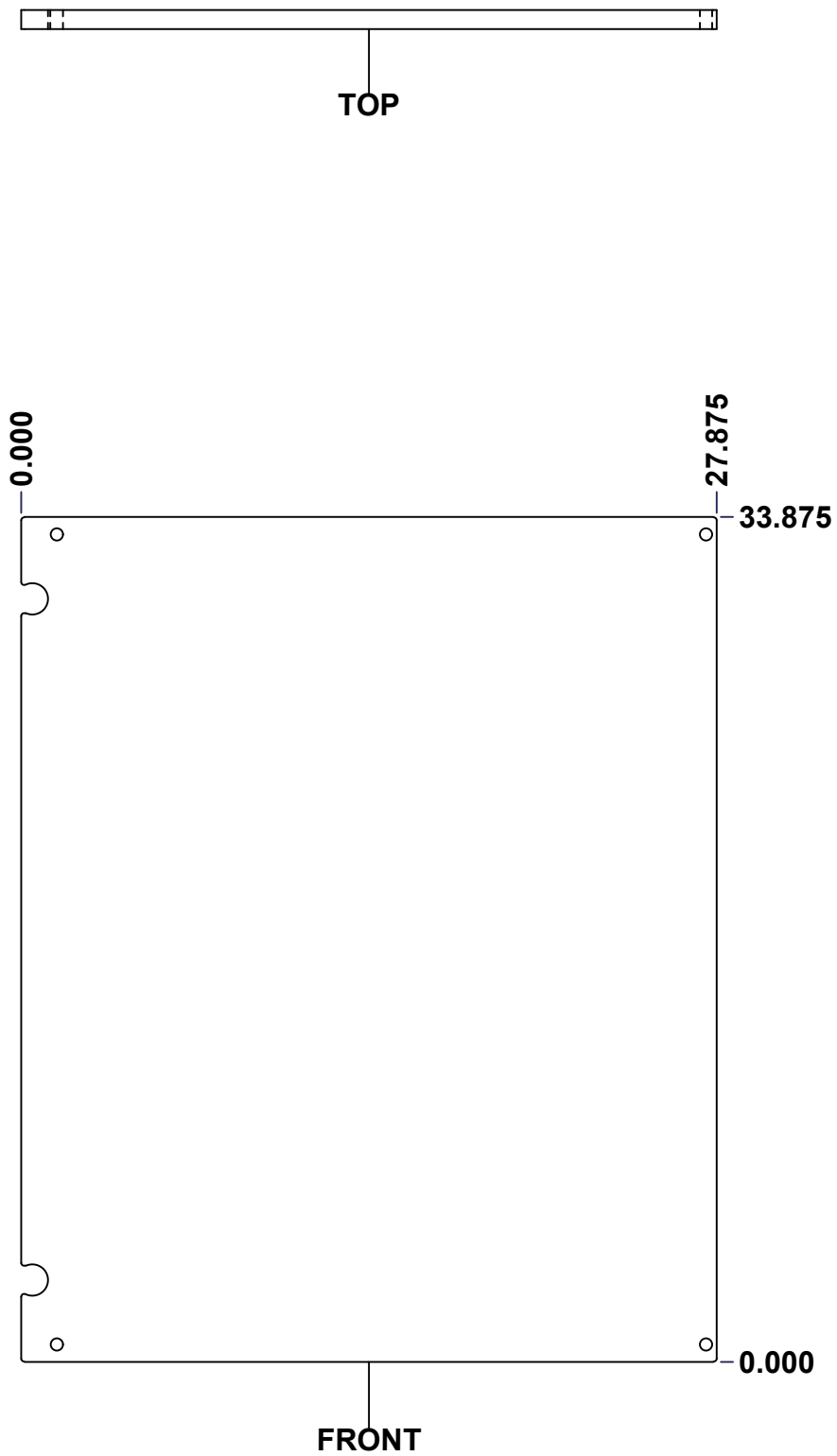


|  |                    |                           |
|--|--------------------|---------------------------|
|  Tél: (450) 979-4373<br>Fax: (450) 979-4626<br><a href="http://www.exmweb.com">www.exmweb.com</a> |                    | Flatness<br>Aplatissement |
|  |                    | Max 3.0mm                 |
| Customer<br>Client   |                    | Date                      |
| Drawn By<br>Dessiné Par BoxCad: Patrick Deschenes  |                    | Date 23-Jan-07            |
| Material<br>Matière Polyisocyanurate   |                    |                           |
| Color<br>Couleur Aluminum  | Finish<br>Fini N/A |                           |
| Description<br>5412ESSP 36" x 30" Top and Bottom Insulation  |                    | Detail Rev.               |
| Part Number<br>Numéro Pièce 5412ESSP3630166THNOIPI-BT 0  |                    | Rev. 15                   |

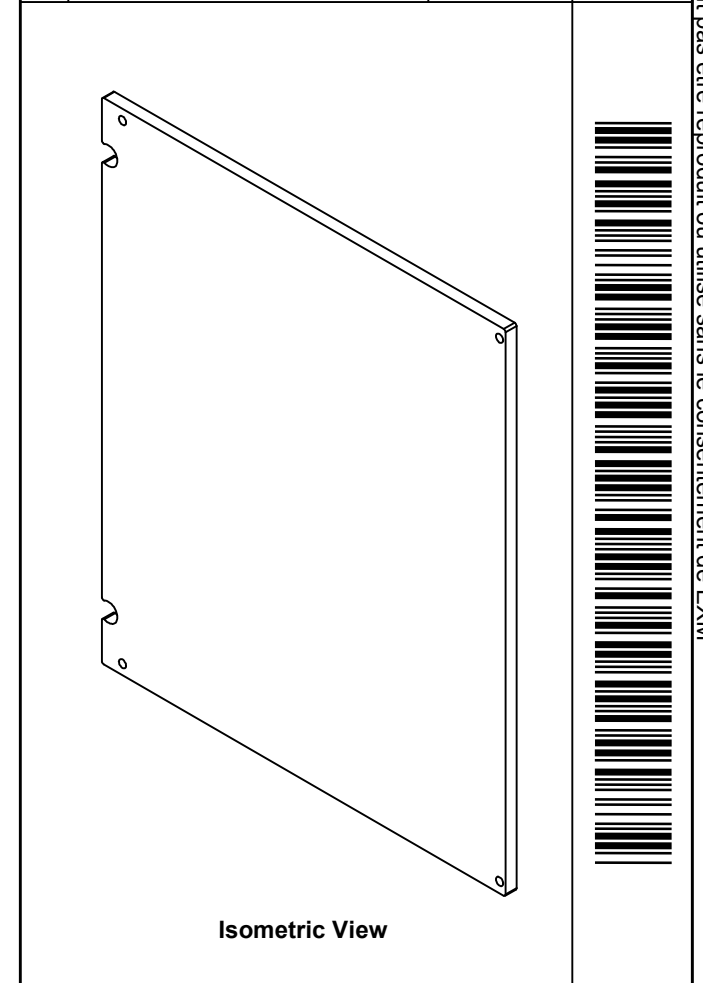
SEE BILL OF MATERIAL ON LAST PAGE


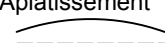
This drawing is confidential and must not be reproduced or used without the consent of EXM

Ce dessin est confidentiel et ne doit pas être reproduit ou utilisé sans le consentement de EXM



| No. | Revisions | Date | By/Par |
|-----|-----------|------|--------|
|     |           |      |        |
|     |           |      |        |
|     |           |      |        |
|     |           |      |        |
|     |           |      |        |



|  |                    |   |
|--|--------------------|---|
|  Tél: (450) 979-4373<br>Fax: (450) 979-4626<br><a href="http://www.exmweb.com">www.exmweb.com</a> |                    | Flatness<br>Aplatissement<br><br>Max 3.0mm |
| Customer Client  |                    | Date  |
| Drawn By<br>Dessiné Par BoxCad: Patrick Deschenes  |                    | Date 23-Jan-07  |
| Material<br>Matière Polyisocyanurate   |                    |   |
| Color<br>Couleur Aluminum  | Finish<br>Fini N/A |   |
| Description<br>5412ESSP 36" x 30" Cover Insulation   |                    | Detail Rev.   |
| Part Number<br>Numéro Pièce 5412ESSP3630166THNOIP-C  |                    | Rev. 16   |

SEE BILL OF MATERIAL ON LAST PAGE